



PEGASUS
ELITE

DISTRIBUTED BY AUTHORIZED HYSTER® DEALERS

RICO Manufacturing, Inc.
691 West Liberty
Medina, OH 44256

Phone 330.723.4050
Fax 330.723.4012

www.RicoEquipment.com

PEGASUS

ELITE

DISTRIBUTED BY AUTHORIZED HYSTER® DEALERS

CAPACITIES RANGING FROM
20,000 TO 50,000 LBS.

LP GAS & DIESEL VERSIONS



AC TECHNOLOGY - ELECTRIC VERSIONS

- Maintenance-free
- Brushless
- Smoother and more controlled braking on any gradient
- Enhanced acceleration and speed with or without load
- No wearable parts
- Significantly improved energy consumption
- Productivity output drastically increased



PEGASUS
ELITE

DISTRIBUTED BY AUTHORIZED HYSTER® DEALERS

INNOVATIVE SOLUTIONS FOR MATERIAL HANDLING

OUR REPUTATION AS A PIONEER IN

Design & Development

RICO is a leading manufacturer of engineered material handling equipment. Our 130 years of expertise in this industry are reflected in the design, engineering, and manufacturing of the Pegasus Elite line, featuring load capacities ranging from 20,000 lbs. to 50,000 lbs. Multiple mast, carriage and fork combinations are available on the standard chassis to suit a wide range of applications and industries, including metals and automotive stamping and manufacturing.

RICO's design and manufacturing center is located in Medina, Ohio, where the Pegasus Elite line is produced. Over 98% of the design, fabrication and assembly work is handled by RICO, resulting in a high level of direct quality control and repeatability.

The Pegasus Elite counterbalance series is distributed by Hyster Company and supported through an extensive network of authorized Hyster® dealers, providing local coverage through their sales and service locations across the US and Canada. Visit www.hysternorthamerica.com to find your local Hyster® dealer.

Quickest Delivery,

Flexible Production Schedules,

Rapid Prototyping,

High Standards for Quality,

Increased Equipment Reliability,

The HIGHEST Level of Technical Support.

That is the **RICO ADVANTAGE.**

PEGASUS
ELITE

DISTRIBUTED BY AUTHORIZED HYSTER® DEALERS

FLEXIBILITY. VERSATILITY. EFFICIENCY.

Outstanding Performance



INNOVATIVE SOLUTIONS FOR MATERIAL HANDLING

The innovative PEGASUS ELITE, has been created as a standard application truck in 3 versions: Electric, LP Gas or Diesel.

PEGASUS ELITE is ergonomically designed for operators and service technicians alike, making life just that much easier. With a cab forward design providing comfort and convenience, the PEGASUS ELITE is truly one of a kind.

- **Healthy Posture accomplished through semi-suspension of an air ride seat.**
- **Seat back angle, weight and adjustments are at your fingertips.**
- **An integrated seat switch, a "kill" switch allow for safe operation ONLY while seated.**
- **Tilt steering allows for comfortable operation regardless of operator's height.**
- **LED safety light package**
- **Integral side-shifting fork positioned**
- **High Visibility Carriage**

Safety is critical as we included large steps, easy to reach rails, and exits from both sides of the PEGASUS ELITE. Visibility has been maximized to improve operation by utilizing our forward cab, high visibility carriage and higher operator seat design.

Flexibility. Versatility. Efficiency. All trademarks of Rico and all incorporated into the PEGASUS ELITE. From various lift heights, capacities and options to handle any application, it has been built in true RICO style.

SUPERIOR PERFORMANCE & RELIABILITY

PEGASUS ELITE is designed for demanding applications. Through the use of thermostat controlled hydraulic oil coolers, heavy duty axle steer, coupled with the heaviest chassis ever experienced in the market, PEGASUS ELITE is truly unique.

The mast design incorporates a wide, upright spread and high visibility carriage to allow for easy, accurate load spotting. We maximized the strength of the masts by utilizing rolled or welded uprights.

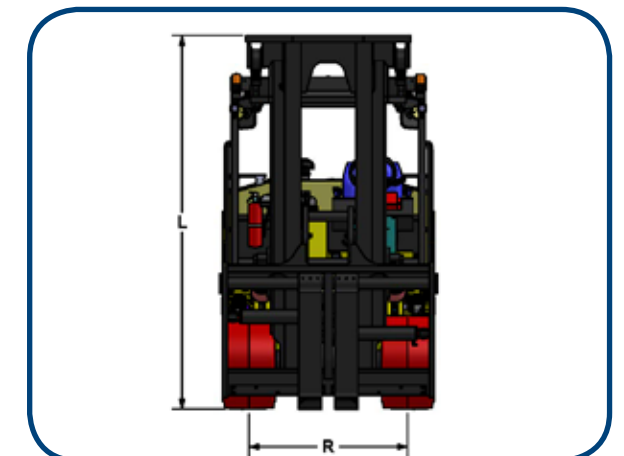
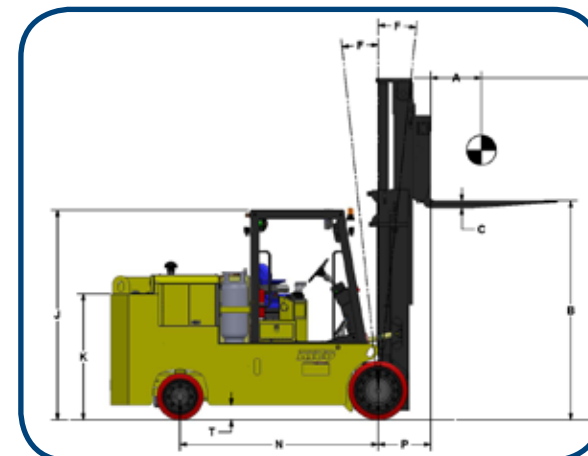
SIMPLE MAINTENANCE

An incredible amount of effort was put into designing the PEGASUS ELITE SERIES of trucks with easy access to maintenance needs reducing downtime.

- **Easy access to service engine, transmission and hydraulic system**
- **Preventative maintenance of all major systems can be performed at ground level**
- **Sealed internal hydraulic wet disc brake system**
- **Industry standard components are utilized to ensure rapid part replacement**
- **On board service diagnostic system**
- **Removable cab**
- **Integrated lifting points for safe handling and transport**
- **Floor height fill and lightweight drop down LP tank replacement design**
- **Cut-out for easily visible hydraulic fluid sight glass**
- **Easy access lubrication points**

We included a large electrical compartment to make maintenance simple and accessible. A removable cab design allows for easy access to all major components.

For more information about PEGASUS ELITE or to find your local distributor visit www.hysternorthamerica.com.



SUPERIOR INNOVATIONS

Engineering & Design - Electric



HEALTHY POSTURE

- Specifically designed for forklifts, the seat compensates for vibrations.
- Seat back angle, weight, fore and aft adjustment are all just a click away.
- Integrated seat switch ensures safety by only allowing travel of the vehicle while seated.
- Open step operator ingress
- Tilt steer column



MAST & FORKS

- Wide upright spread allows the operator to see straight through the mast for easy, accurate load spotting.
- Solid forged forks for maximum strength.
- Proportioned taper on forks for coil handling applications.
- Integral side-shifting fork positioner.



CAB FEATURES

- Maximum visibility.
- Removable cab designed to access all major components
- Multi-function display controls
- Dual operator cooling fans
- LED front and rear light package
- Cup holder/tray
- Fire extinguisher



STEER WHEELS

- Heavy duty axle steering caster for tighter turning radius, quicker response time and overall ease of operation.



DRIVE AXLE

- Heavy duty planetary drive axle with integral wet disc brakes and force brake cooling.

ACCESSIBILITY

- Maintenance friendly, easy access hydraulic motor.



FLEXIBILITY. VERSATILITY. EFFICIENCY

SUPERIOR INNOVATIONS

Engineering & Design - LP Gas, Diesel



TILT STEERING

- Seat back angle, weight, fore and aft adjustment are all just a click away.
- Integrated seat switch ensures safety by only allowing travel of the vehicle while seated.



CAB FEATURES

- Removable cab designed to access all major components
- Multi-function display controls
- Dual operator cooling fans
- LED front and rear light package
- Cup holder/tray
- Fire extinguisher



MAST & FORKS

- Wide upright spread allows the operator to see through the mast for easy, accurate load spotting.
- Solid forged forks for maximum strength.
- Proportioned taper on forks for coil handling applications.
- Integral side-shifting fork positioner.



COOLING SYSTEM

- Open finned aluminum radiator with separate fan cooled transmission cooler.

EASY ACCESS TANK REPLACEMENT



DRIVE AXLE

- Heavy duty planetary drive axle with integral wet disc brakes.



ACCESSIBILITY

- Easy access hydraulic motor.



THREE POINT CONTACT

- Large tapered step.
- Strategically placed hand rails to safely descend vehicle.

FLEXIBILITY. VERSATILITY. EFFICIENCY

