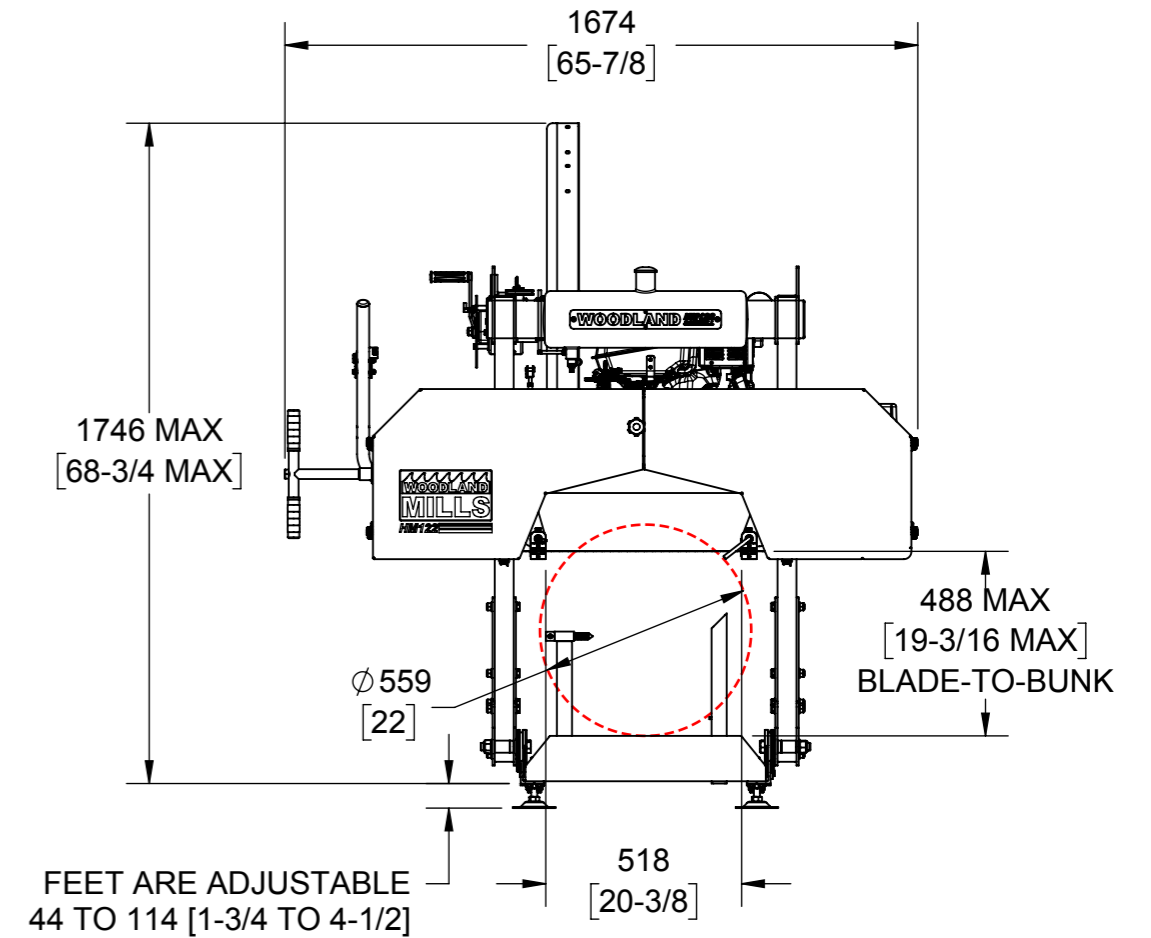
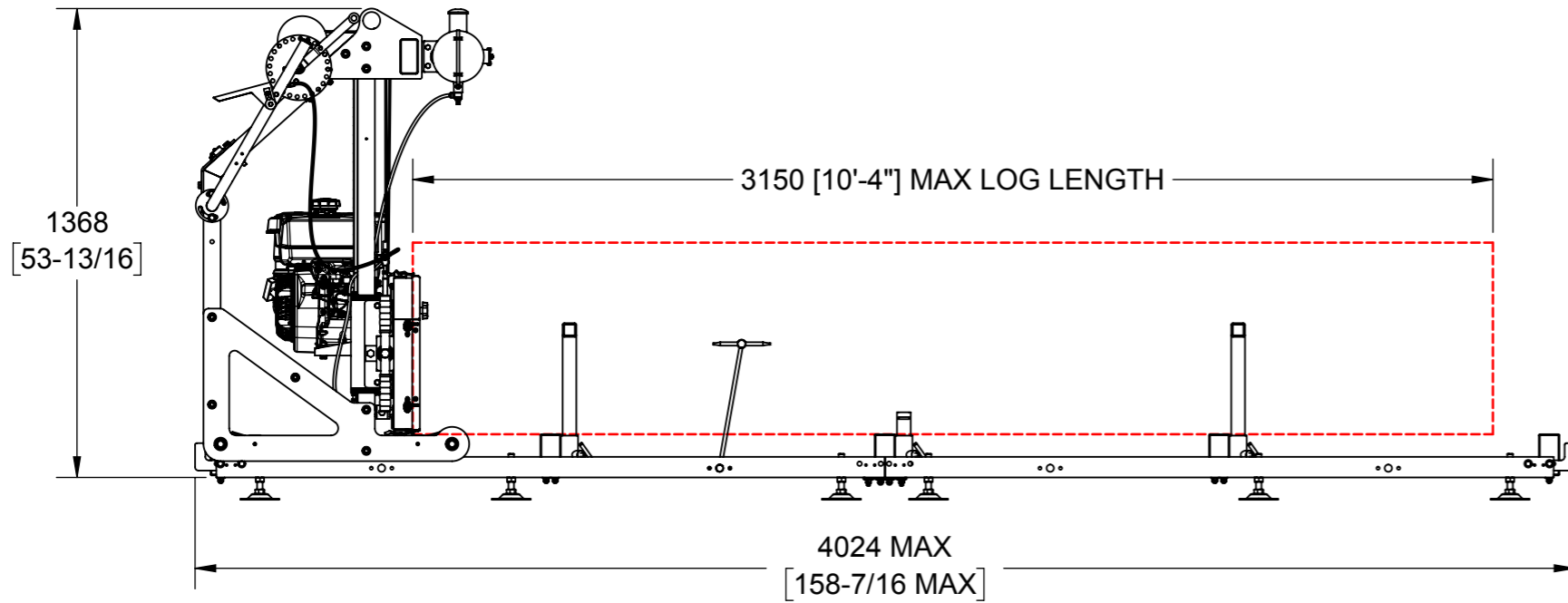
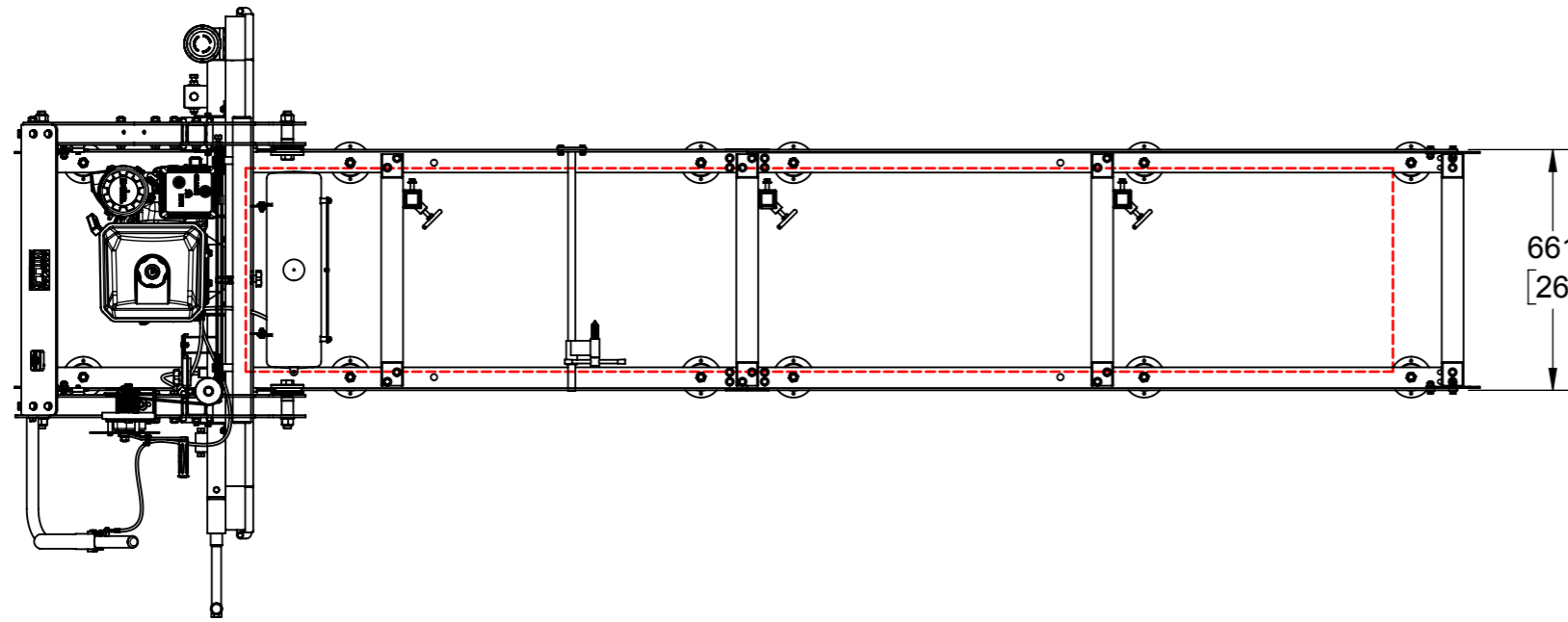


# HM122 STANDARD: OVERALL DIMENSIONS



**NOTES:**

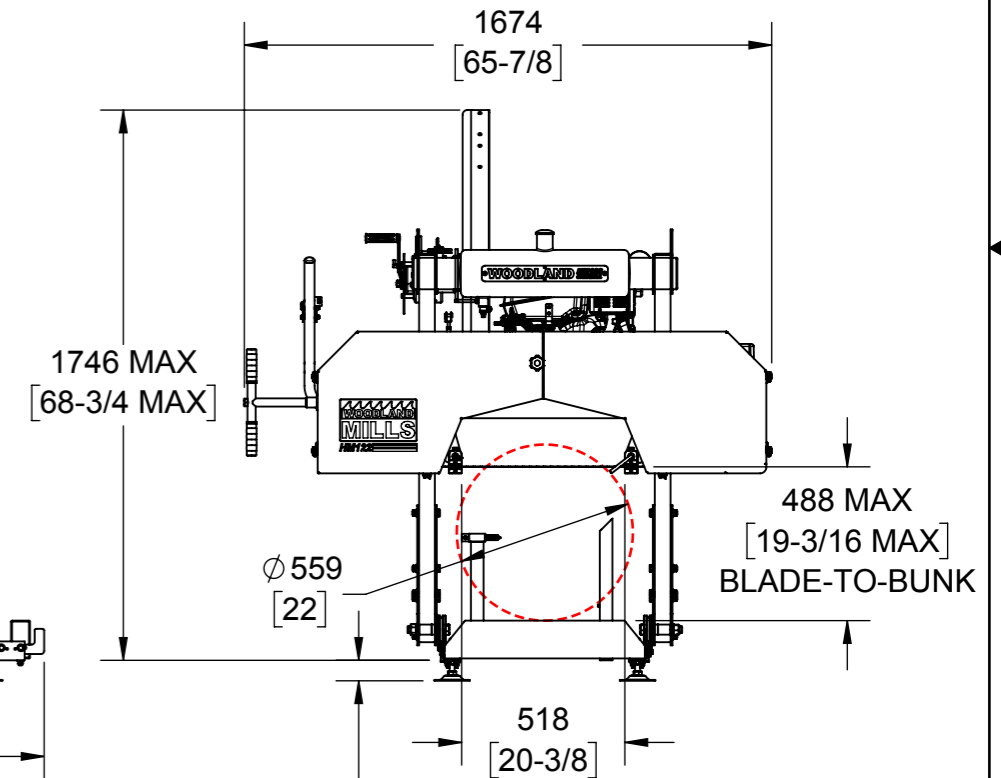
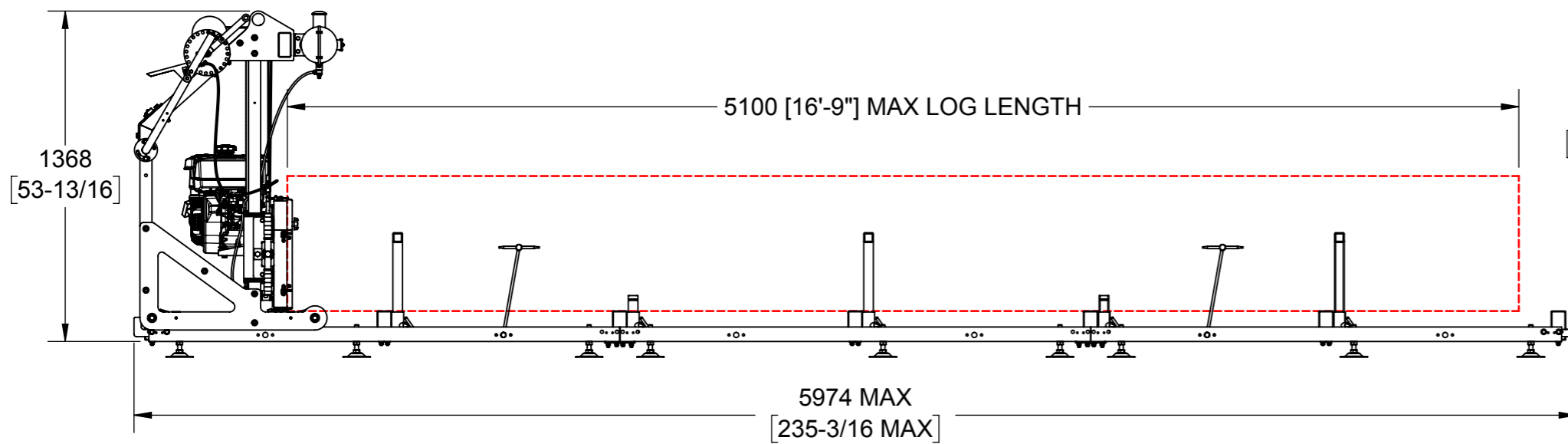
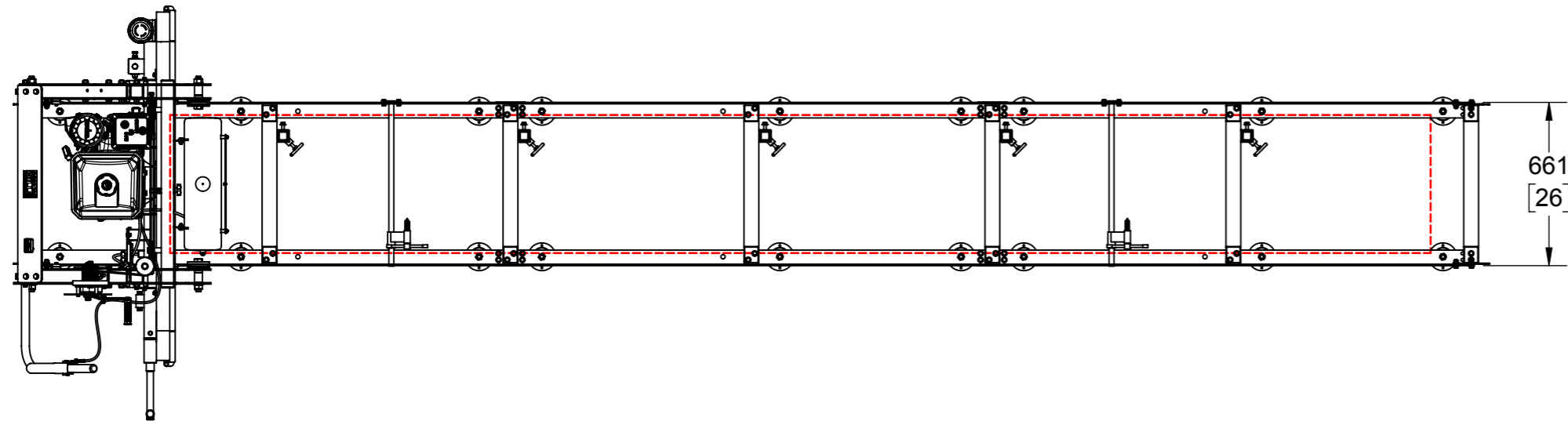
1. DIMENSIONS LOCATED WITHIN SQUARE BRACKETS [ ] ARE IN INCHES.



WOODLAND MILLS FORESTRY EQUIPMENT  
 171 NORTH PORT RD, UNIT #1  
 PORT PERRY, ON L9L 1B2, CANADA  
 1 (855) 476-6455

SIZE <b>A3</b>	DWG NO <b>HM122-2020</b>	REV
SCALE 1:20	DATE 16-12-2019	SHEET 1 OF 2

# HM122 WITH EXTENSION: OVERALL DIMENSIONS



FEET ARE ADJUSTABLE  
44 TO 114 [1-3/4 TO 4-1/2]

NOTES:

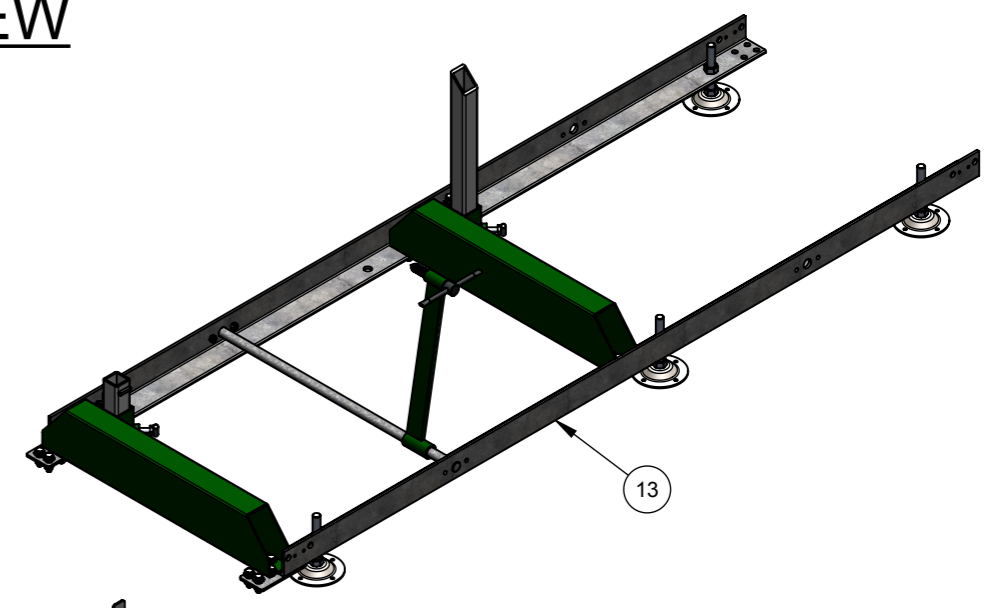
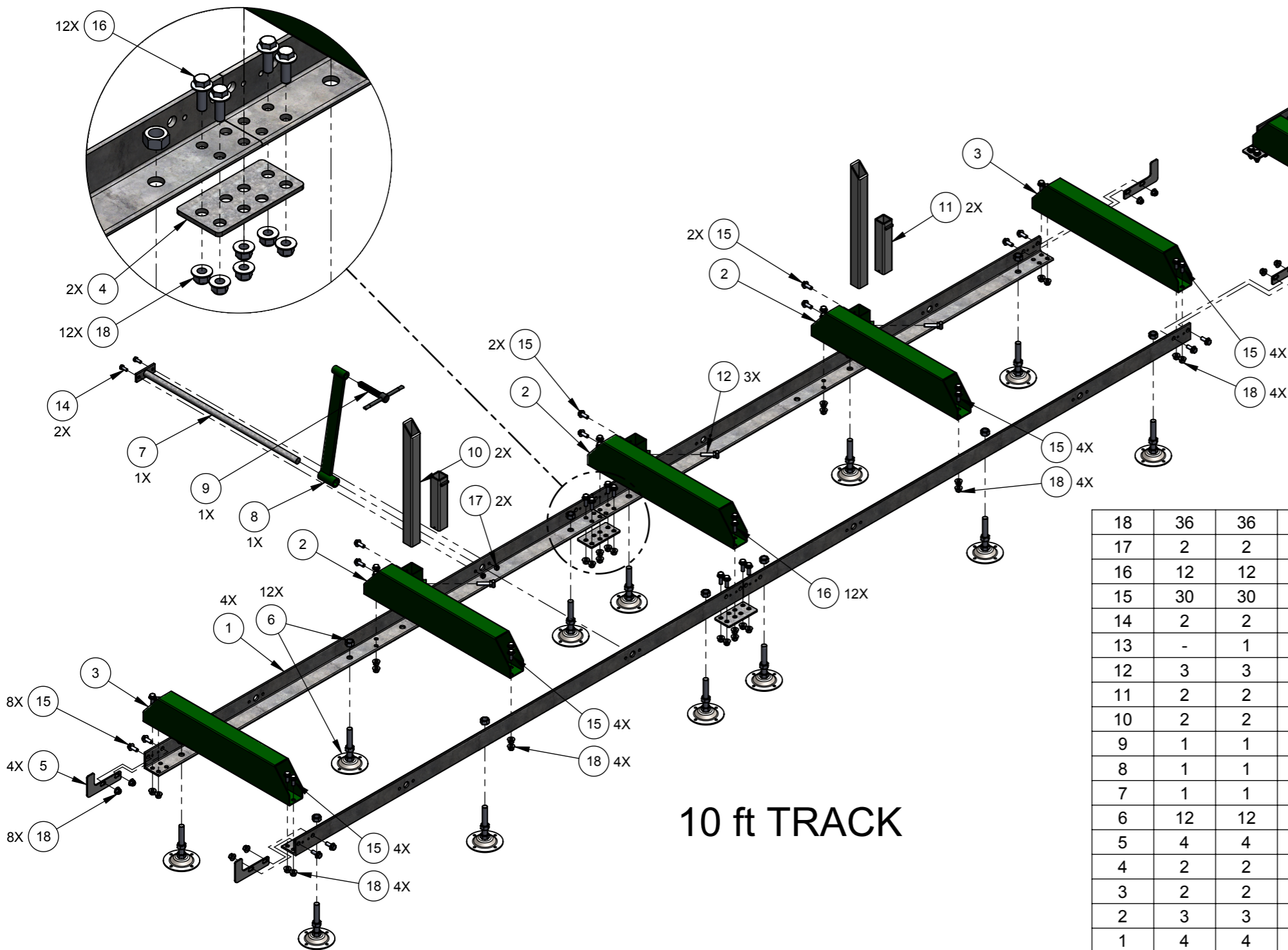
1. DIMENSIONS LOCATED WITHIN SQUARE BRACKETS [ ] ARE IN INCHES.



WOODLAND MILLS FORESTRY EQUIPMENT  
171 NORTH PORT RD, UNIT #1  
PORT PERRY, ON L9L 1B2, CANADA  
1 (855) 476-6455

SIZE <b>A3</b>	DWG NO <b>HM122-2020</b>	REV
SCALE 1:24	DATE 16-12-2019	SHEET 2 OF 2

# HM122 TRACK EXPLODED VIEW



16 ft TRACK ONLY

10 ft TRACK

18	36	36	HDW	LOCK NUT, FLANGED, M10 X 1.5	N/A
17	2	2	HDW	LOCK NUT, M8 X 1.25	N/A
16	12	12	HDW	HEX BOLT, FLANGED, M10 X 1.5, 30 mm LG	N/A
15	30	30	HDW	HEX BOLT, FLANGED, M10 X 1.5, 25 mm LG	N/A
14	2	2	HDW	HEX BOLT, M8 X 1.25, 20 mm LG	N/A
13	-	1	0002091	HM122 TRACK EXTENSION	HM122C
12	3	3	0001059	T-BOLT, M10 X 1.5, 40 mm LG	87
11	2	2	0001465	LOG SUPPORT, SHORT	91
10	2	2	0001056	LOG SUPPORT, LONG	82
9	1	1	0001462	LOG CLAMP, HM122	89
8	1	1	0001461	LOG CLAMP ARM, HM122	440
7	1	1	0001460	LOG CLAMP CONNECTING ROD, HM122	458
6	12	12	0001070	LEVELLING FOOT	189
5	4	4	0001055	CARRIAGE STOP	172
4	2	2	0001463	REINFORCEMENT PLATE, HM122	441
3	2	2	0001457	LOG BUNK, END, HM122	443
2	3	3	0001458	LOG BUNK, HM122	439
1	4	4	0001459	TRACK RAIL, HM122	442
ITEM	10 ft	16 ft	PART NO	DESCRIPTION	LEGACY

PARTS LIST

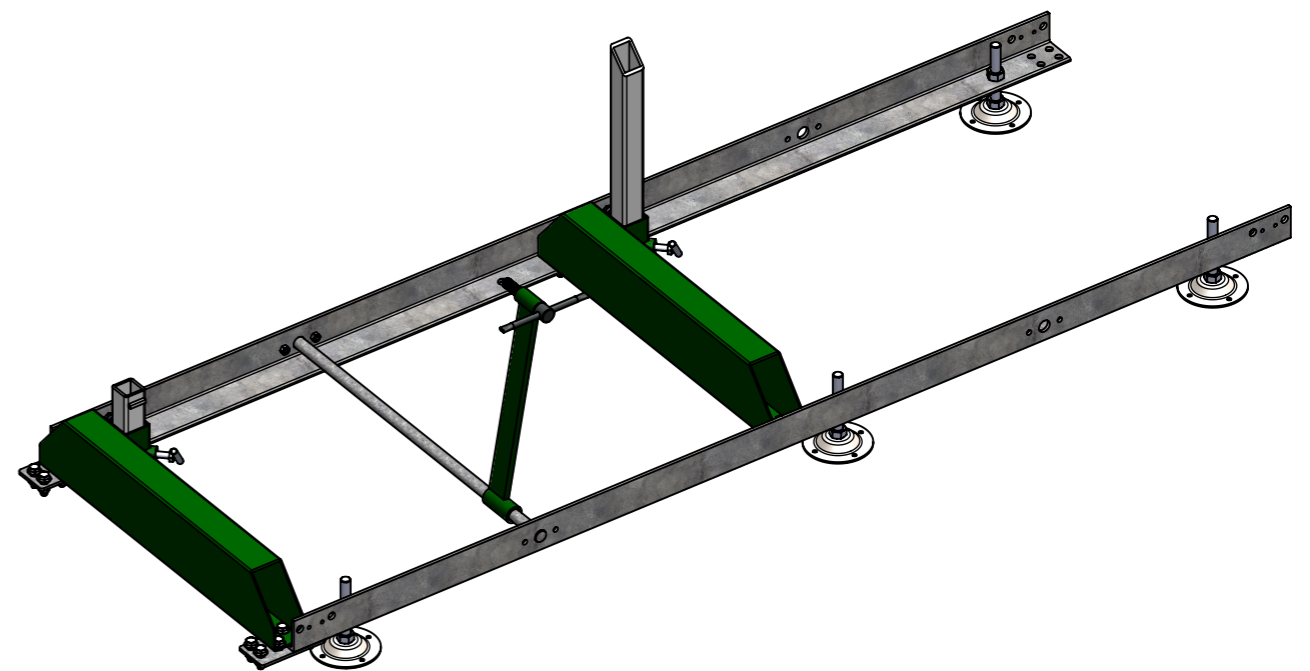
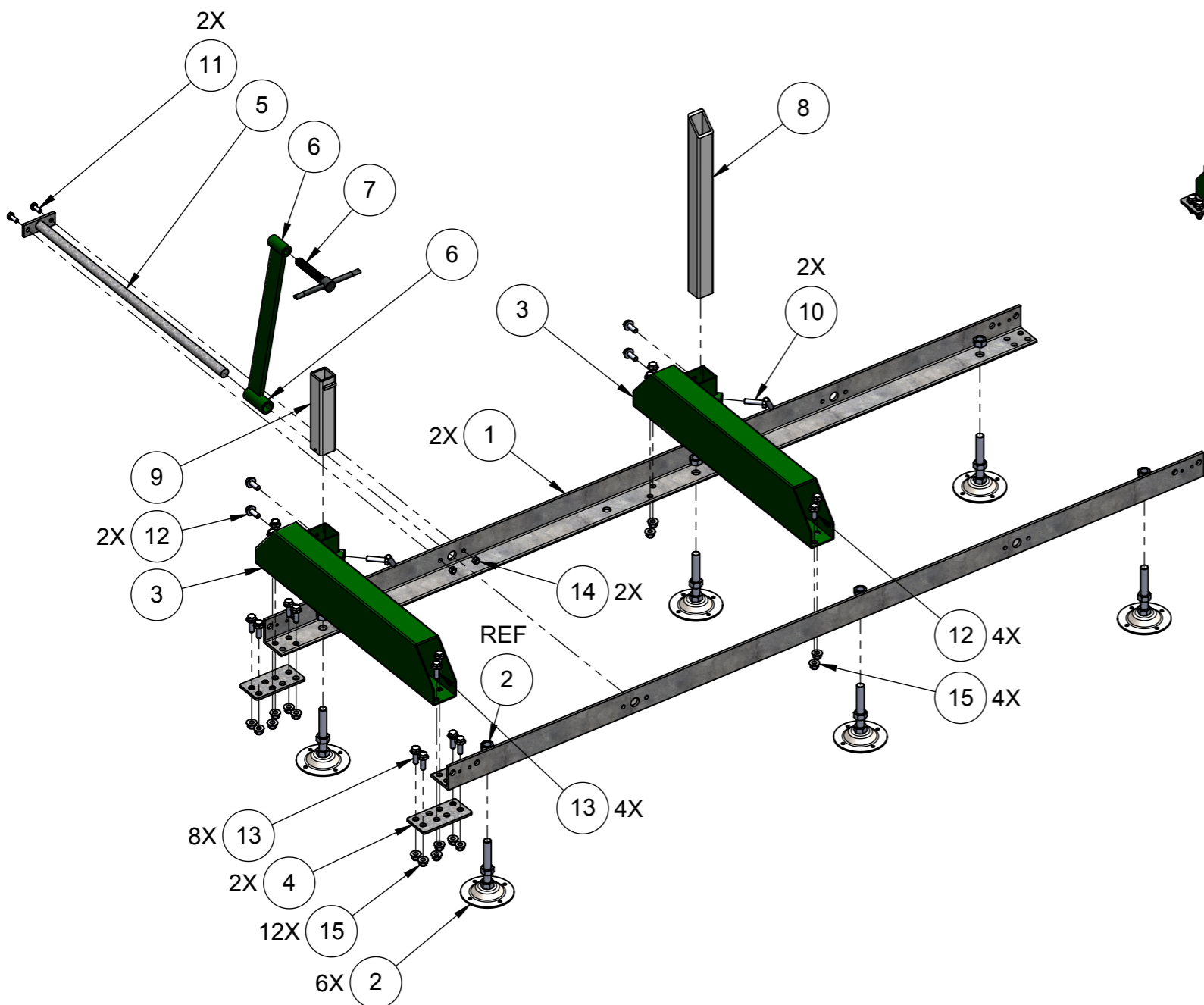


WOODLAND MILLS FORESTRY EQUIPMENT  
171 NORTH PORT RD, UNIT #1  
PORT PERRY, ON L9L 1B2, CANADA  
1 (855) 476-6455

SIZE <b>A3</b>	DWG NO	<b>0001502</b>	REV
SCALE 1:15	DATE 10-12-2019	SHEET 1 OF 3	

C:\VAULT\PRODUCTS\SAWMILLS\COMPONENTS\TRACK\0001502

# HM122 TRACK EXTENSION



ITEM	QTY	PART NO	DESCRIPTION	LEGACY
15	16	HDW	LOCK NUT, FLANGED, M10 X 1.5	N/A
14	2	HDW	LOCK NUT, M8 X 1.25	N/A
13	12	HDW	HEX BOLT, FLANGED, M10 X 1.5, 30 mm LG	N/A
12	8	HDW	HEX BOLT, FLANGED, M10 X 1.5, 25 mm LG	N/A
11	2	HDW	HEX BOLT, M8 X 1.25, 20 mm LG	N/A
10	2	0001059	T-BOLT, M10 X 1.5, 40 mm LG	87
9	1	0001465	LOG SUPPORT, SHORT	91
8	1	0001056	LOG SUPPORT, LONG	82
7	1	0001462	LOG CLAMP, HM122	89
6	1	0001461	LOG CLAMP ARM, HM122	440
5	1	0001460	LOG CLAMP CONNECTING ROD, HM122	458
4	2	0001463	REINFORCEMENT PLATE, HM122	441
3	2	0001458	LOG BUNK, HM122	439
2	6	0001070	LEVELLING FOOT	189
1	2	0001459	TRACK RAIL, HM122	442

## PARTS LIST

### NOTES:

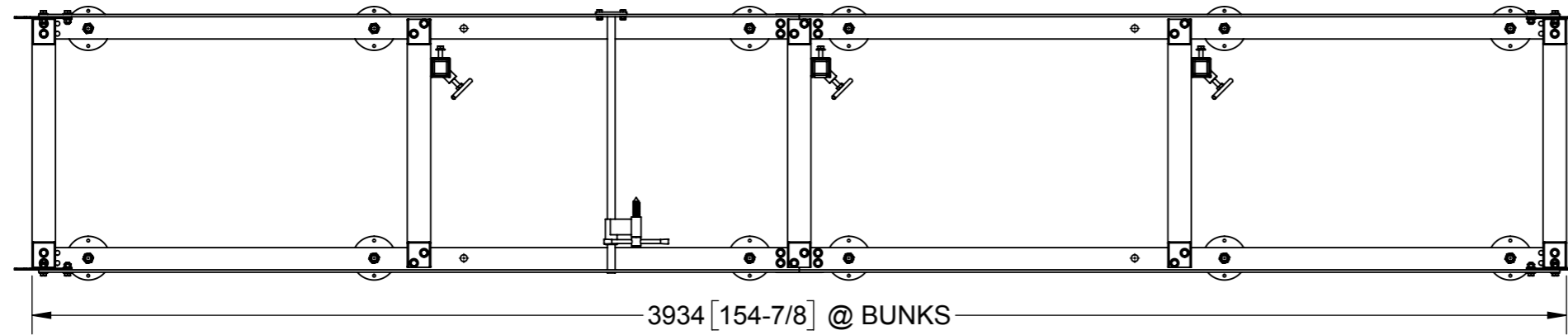
1. DIMENSIONS LOCATED WITHIN SQUARE BRACKETS [ ] ARE IN INCHES.
2. RECOMMENDED SHIPPING BOX SIZE: 83-1/2L X 32W X 24-1/2H in [2120L X 810W X 620H mm].
3. SHIPPING WEIGHT: 84 lb [38 kg].



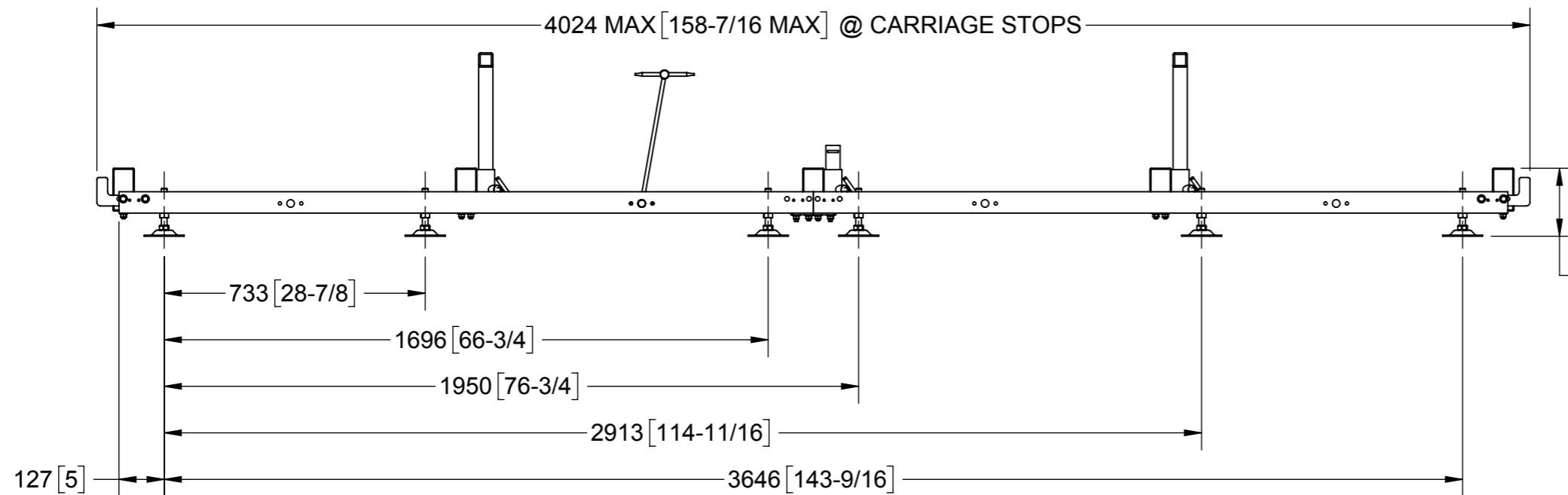
WOODLAND MILLS FORESTRY EQUIPMENT  
171 NORTH PORT RD, UNIT #1  
PORT PERRY, ON L9L 1B2, CANADA  
1 (855) 476-6455

SIZE <b>A3</b>	DWG NO <b>0002091</b>	REV
SCALE 1:12	DATE 13-11-2019	SHEET 1 OF 1

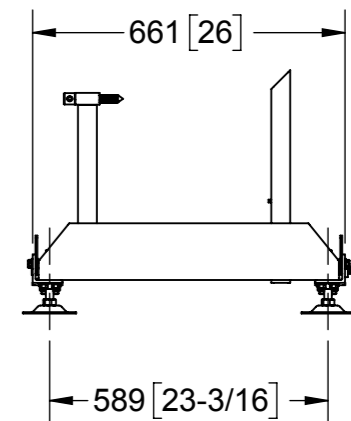
# HM122 STANDARD TRACK ASSEMBLY



➔ DIRECTION OF CUT



ADJUSTABLE  
170 TO 240  
[6-5/8 TO 9-1/2]



NOTES:

1. DIMENSIONS LOCATED WITHIN SQUARE BRACKETS [ ] ARE IN INCHES.

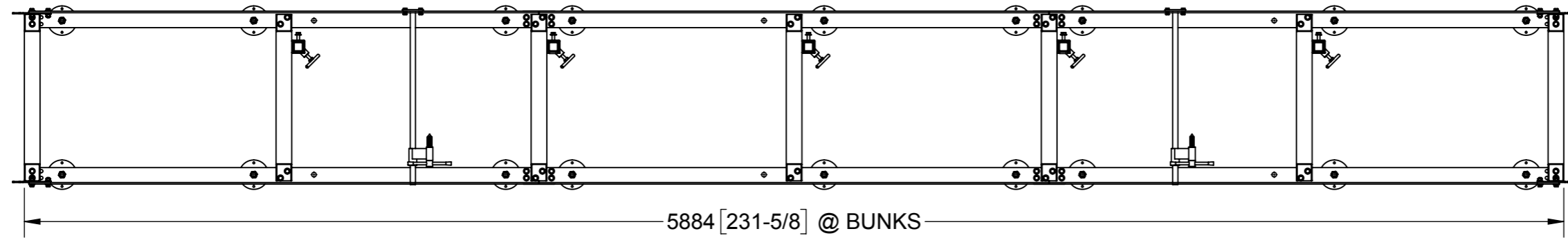


WOODLAND MILLS FORESTRY EQUIPMENT  
171 NORTH PORT RD, UNIT #1  
PORT PERRY, ON L9L 1B2, CANADA  
1 (855) 476-6455

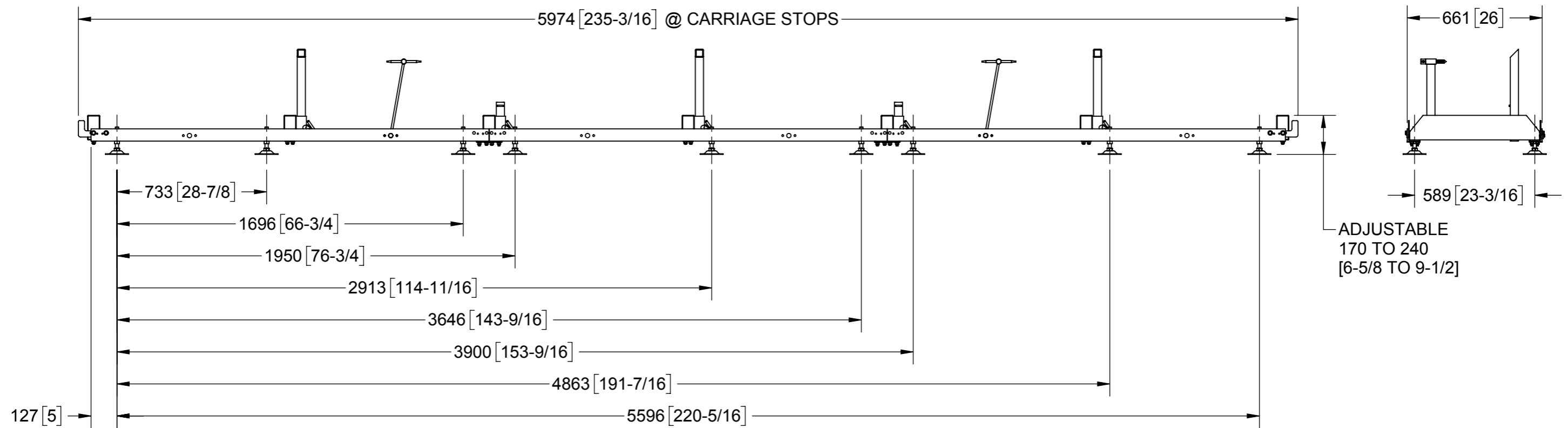
SIZE <b>A3</b>	DWG NO	<b>0001502</b>	REV
SCALE 1:16	DATE 10-12-2019	SHEET 2 OF 3	

C:\VAULT\PRODUCTS\SAWMILLS\COMPONENTS\TRACK\0001502

# HM122 TRACK ASSEMBLY WITH EXTENSION



➔ DIRECTION OF CUT



NOTES:

1. DIMENSIONS LOCATED WITHIN SQUARE BRACKETS [ ] ARE IN INCHES.



WOODLAND MILLS FORESTRY EQUIPMENT  
171 NORTH PORT RD, UNIT #1  
PORT PERRY, ON L9L 1B2, CANADA  
1 (855) 476-6455

SIZE <b>A3</b>	DWG NO <b>0001502</b>	REV
SCALE 1:20	DATE 10-12-2019	SHEET 3 OF 3