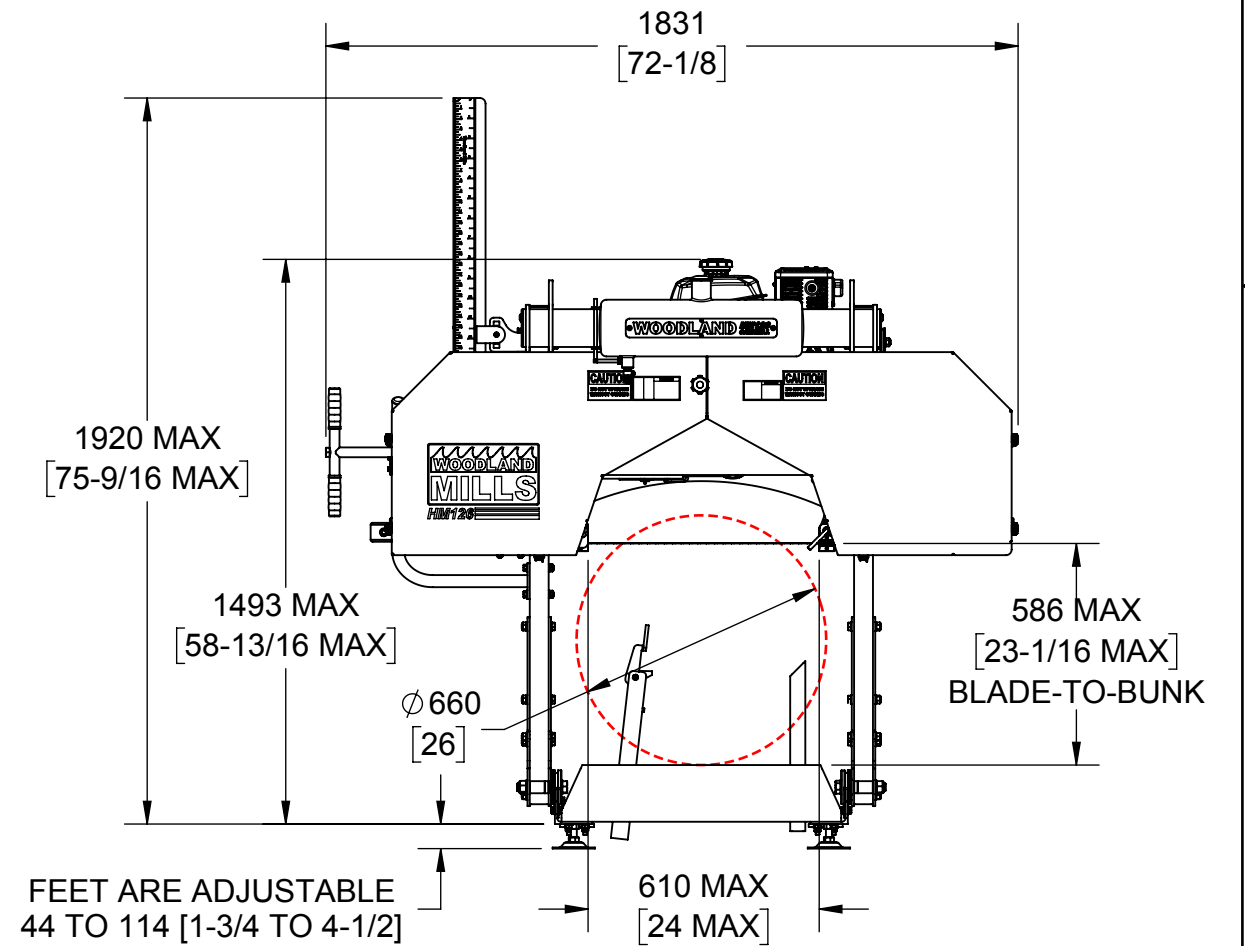
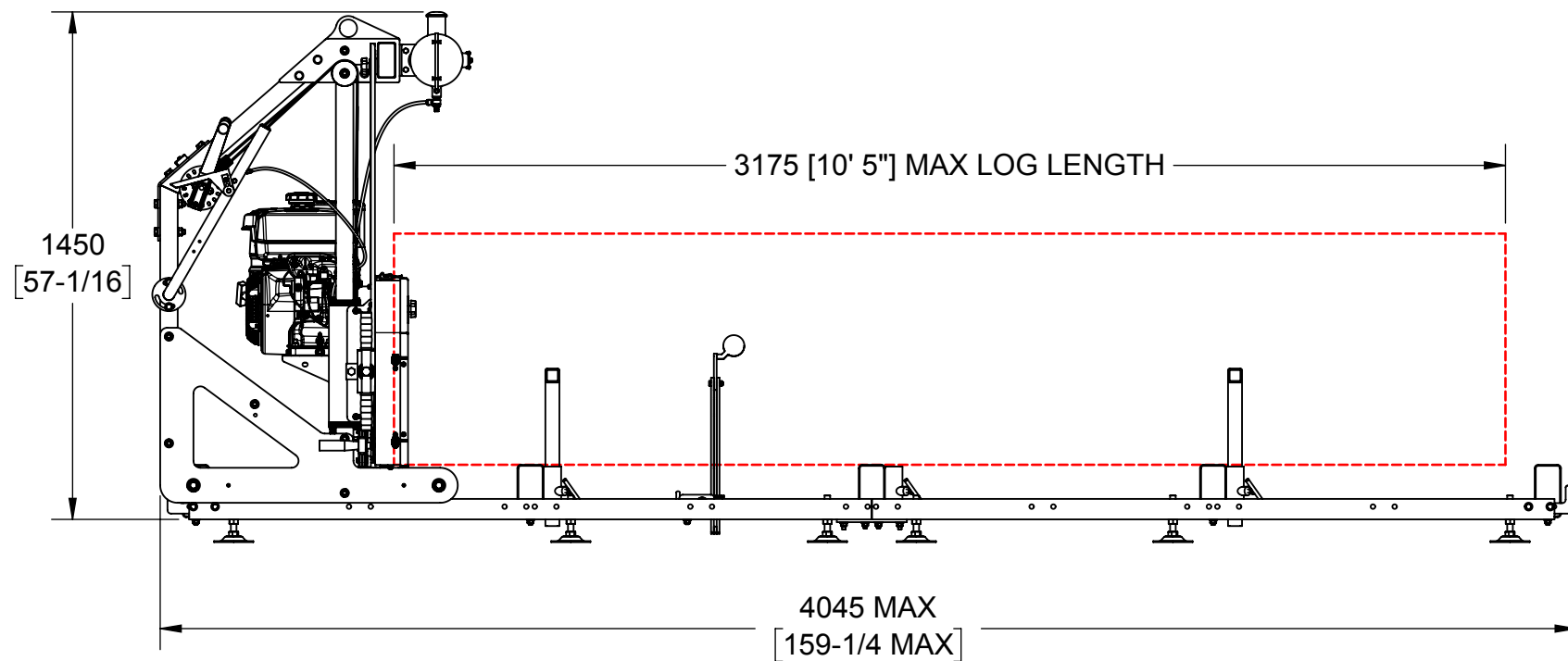
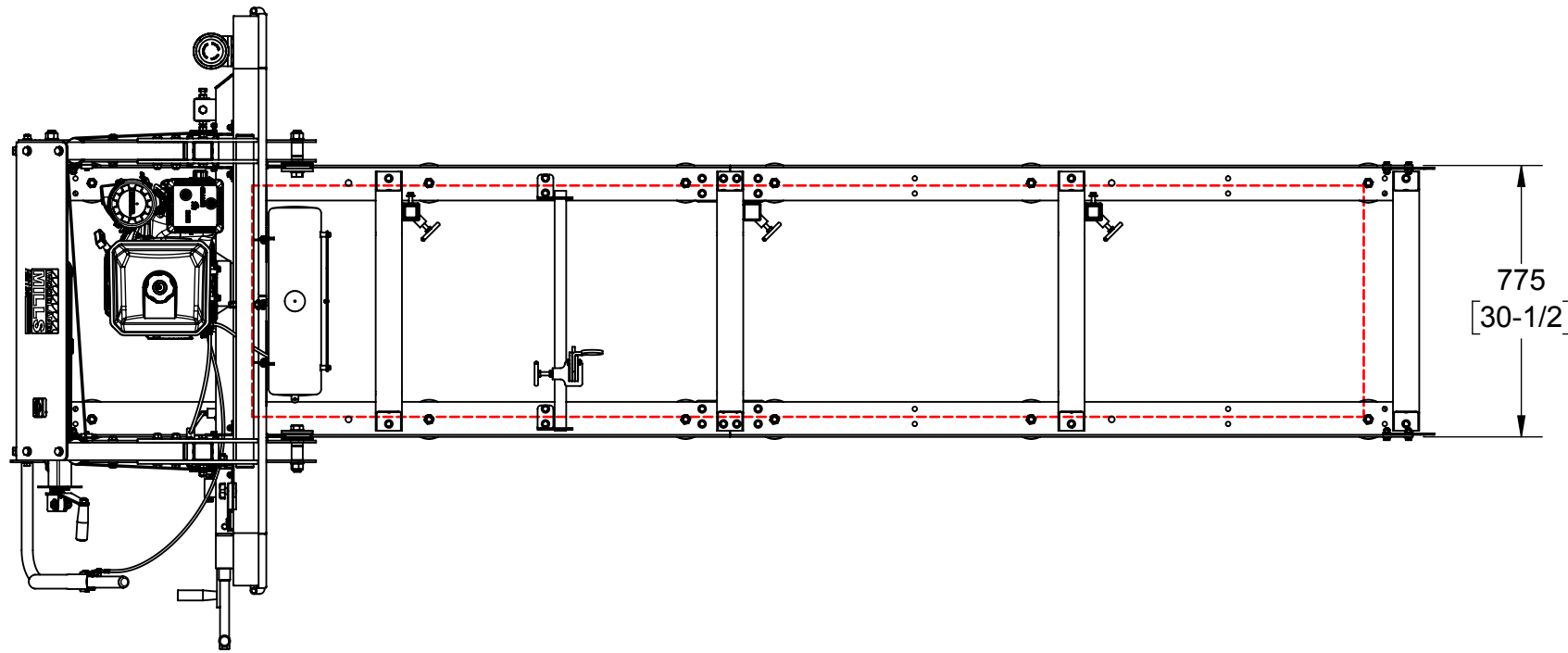


HM126 STANDARD: OVERALL DIMENSIONS



NOTES:

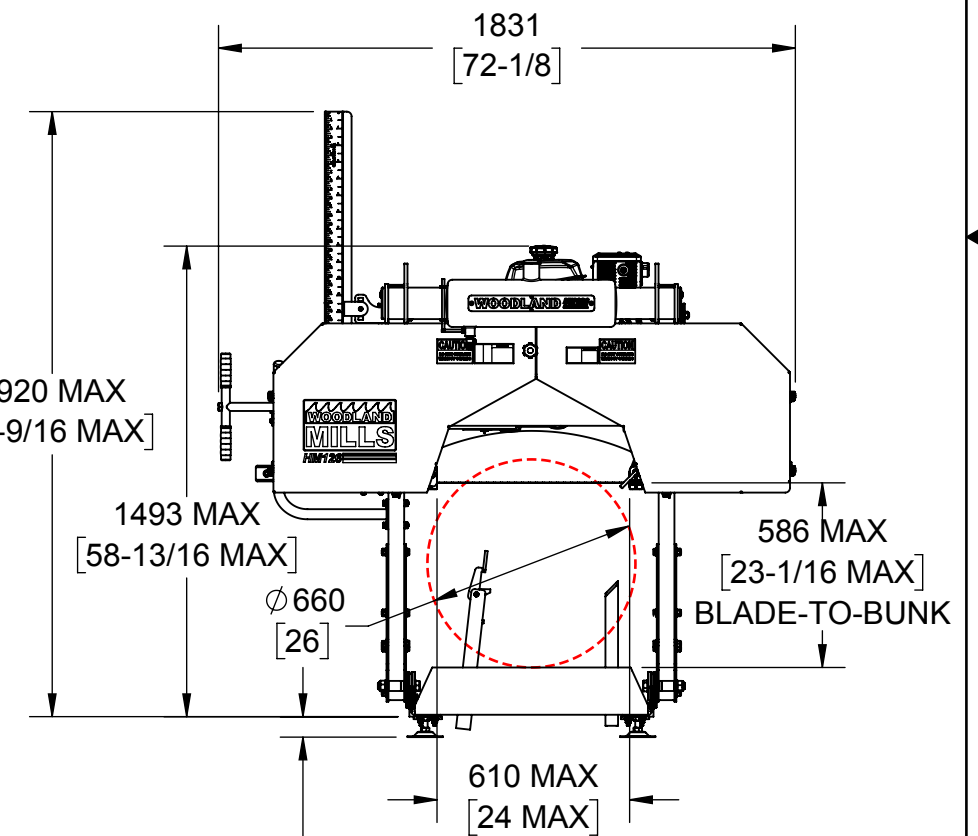
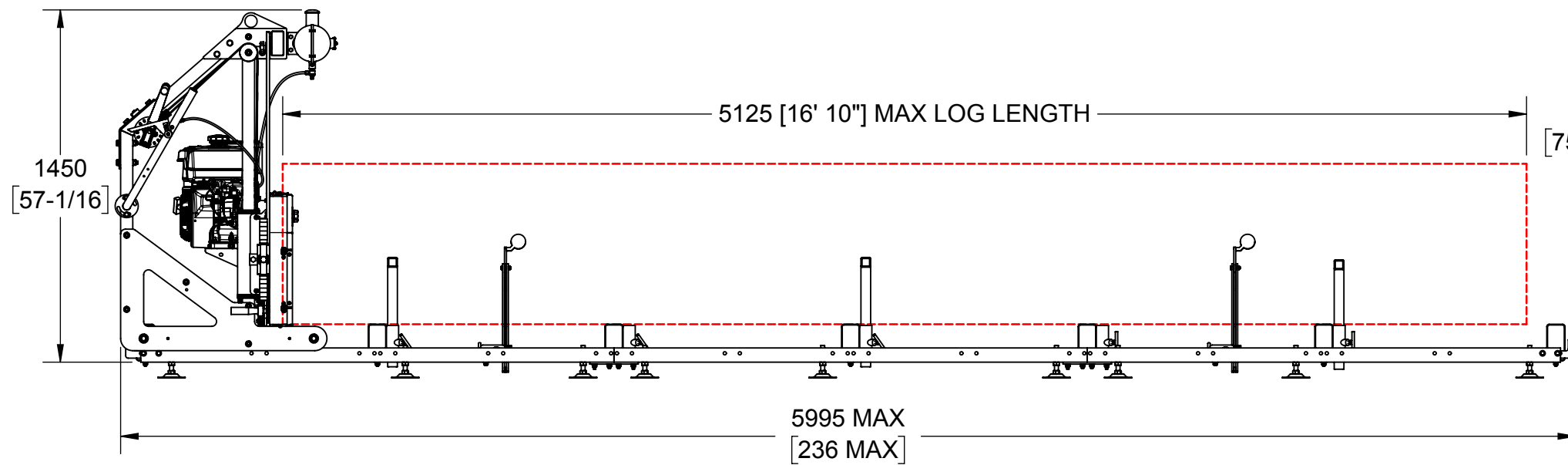
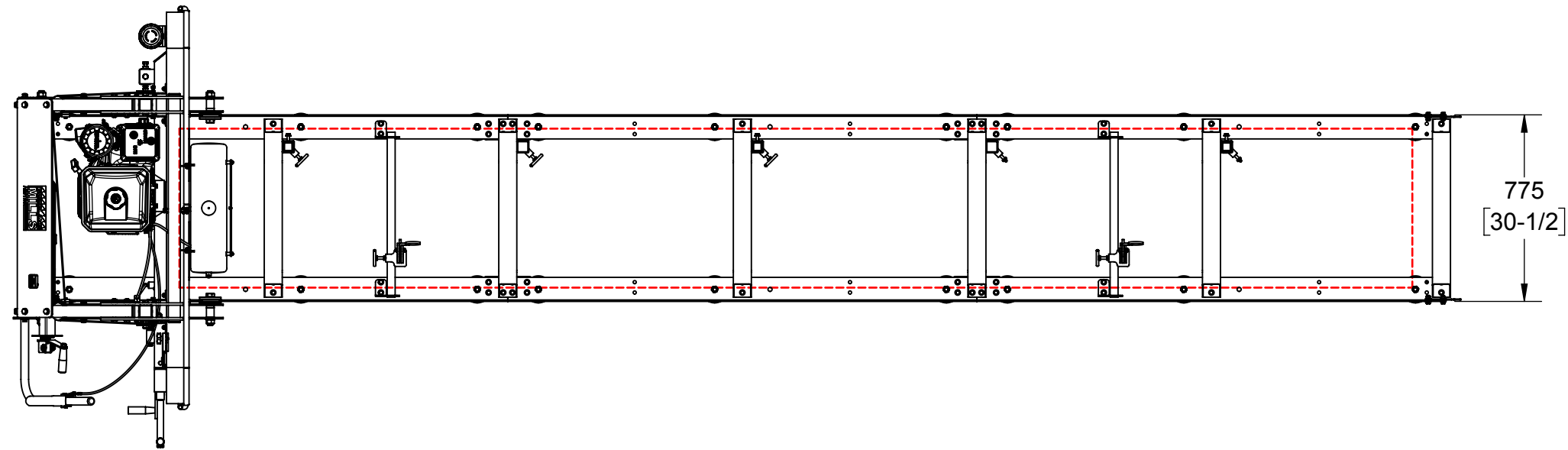
1. DIMENSIONS LOCATED WITHIN SQUARE BRACKETS [] ARE IN INCHES.



WOODLAND MILLS FORESTRY EQUIPMENT
 171 NORTH PORT RD, UNIT #1
 PORT PERRY, ON L9L 1B2, CANADA
 1 (855) 476-6455

| | | | |
|-------------------|-----------------|-------------------|-----|
| SIZE A3 | DWG NO | HM126-2020 | REV |
| SCALE 1:20 | DATE 16-12-2019 | SHEET 1 OF 2 | |

HM126 WITH EXTENSION: OVERALL DIMENSIONS



FEET ARE ADJUSTABLE
44 TO 114 [1-3/4 TO 4-1/2]

NOTES:

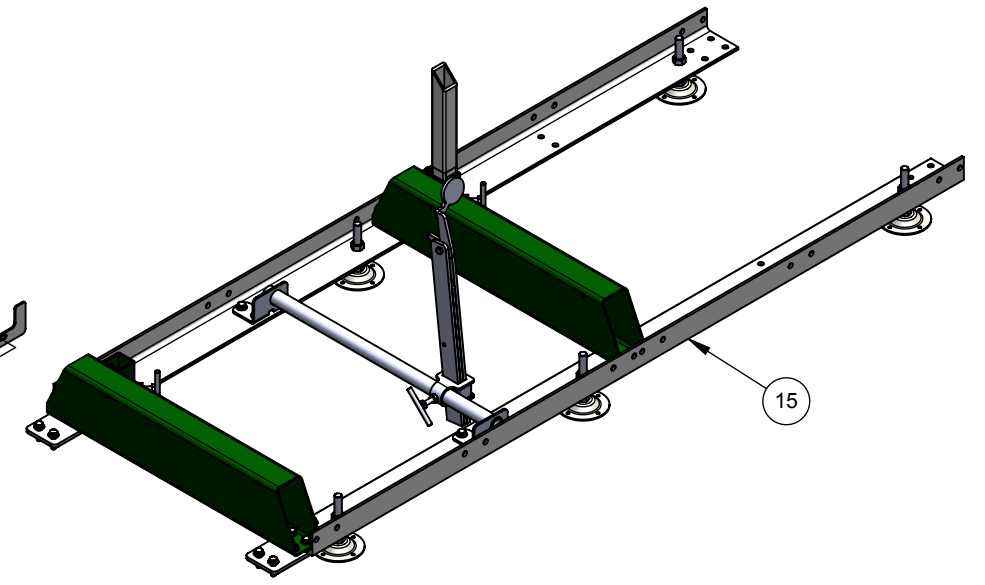
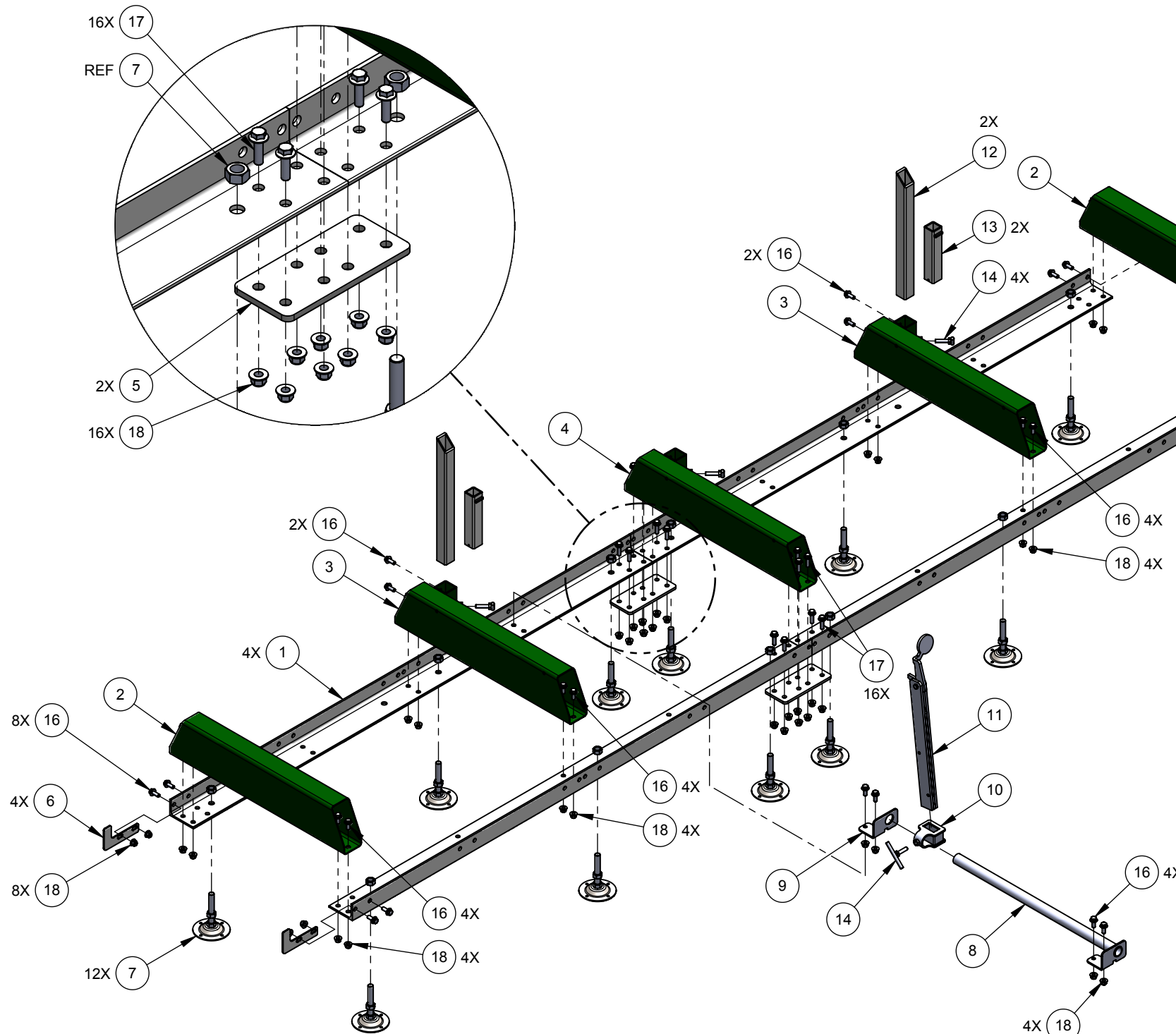
1. DIMENSIONS LOCATED WITHIN SQUARE BRACKETS [] ARE IN INCHES.



WOODLAND MILLS FORESTRY EQUIPMENT
171 NORTH PORT RD, UNIT #1
PORT PERRY, ON L9L 1B2, CANADA
1 (855) 476-6455

| | | |
|-------------------|-----------------------------|-----------------|
| SIZE A3 | DWG NO HM126-2020 | REV |
| SCALE 1:24 | DATE 16-12-2019 | SHEET 2 OF 2 |

HM126 TRACK EXPLODED VIEW

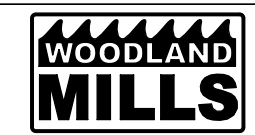


16 ft TRACK ONLY

10 ft TRACK

| | | | | | |
|------|-------|-------|---------|--|--------|
| 18 | 44 | 44 | HDW | LOCK NUT, FLANGED, M10 X 1.5 | N/A |
| 17 | 16 | 16 | HDW | HEX BOLT, FLANGED, M10 X 1.5, 35 mm LG | N/A |
| 16 | 32 | 32 | HDW | HEX BOLT, FLANGED, M10 X 1.5, 25 mm LG | N/A |
| 15 | - | 1 | 0001700 | HM126 TRACK EXTENSION | HM126C |
| 14 | 4 | 4 | 0001059 | T-BOLT, M10 X 1.5, 40 mm LG | 87 |
| 13 | 2 | 2 | 0001465 | LOG SUPPORT, SHORT | 91 |
| 12 | 2 | 2 | 0001056 | LOG SUPPORT, LONG | 82 |
| 11 | 1 | 1 | 0001211 | LOG CLAMP | 192 |
| 10 | 1 | 1 | 0001061 | LOG CLAMP RECEIVER | 191 |
| 9 | 1 | 1 | 0001069 | LOG CLAMP SHAFT BRACKET | 503 |
| 8 | 1 | 1 | 0001062 | LOG CLAMP SHAFT AND BRACKET WELDMENT | 504 |
| 7 | 12 | 12 | 0001070 | LEVELLING FOOT | 189 |
| 6 | 4 | 4 | 0001055 | CARRIAGE STOP | 172 |
| 5 | 2 | 2 | 0001072 | REINFORCEMENT PLATE | 98 |
| 4 | 1 | 1 | 0001084 | LOG BUNK, CENTER | 136 |
| 3 | 2 | 2 | 0001080 | LOG BUNK, MID | 47 |
| 2 | 2 | 2 | 0001075 | LOG BUNK, END | 99 |
| 1 | 4 | 4 | 0001073 | TRACK RAIL | 173 |
| ITEM | 10 ft | 16 ft | PART NO | DESCRIPTION | LEGACY |

PARTS LIST

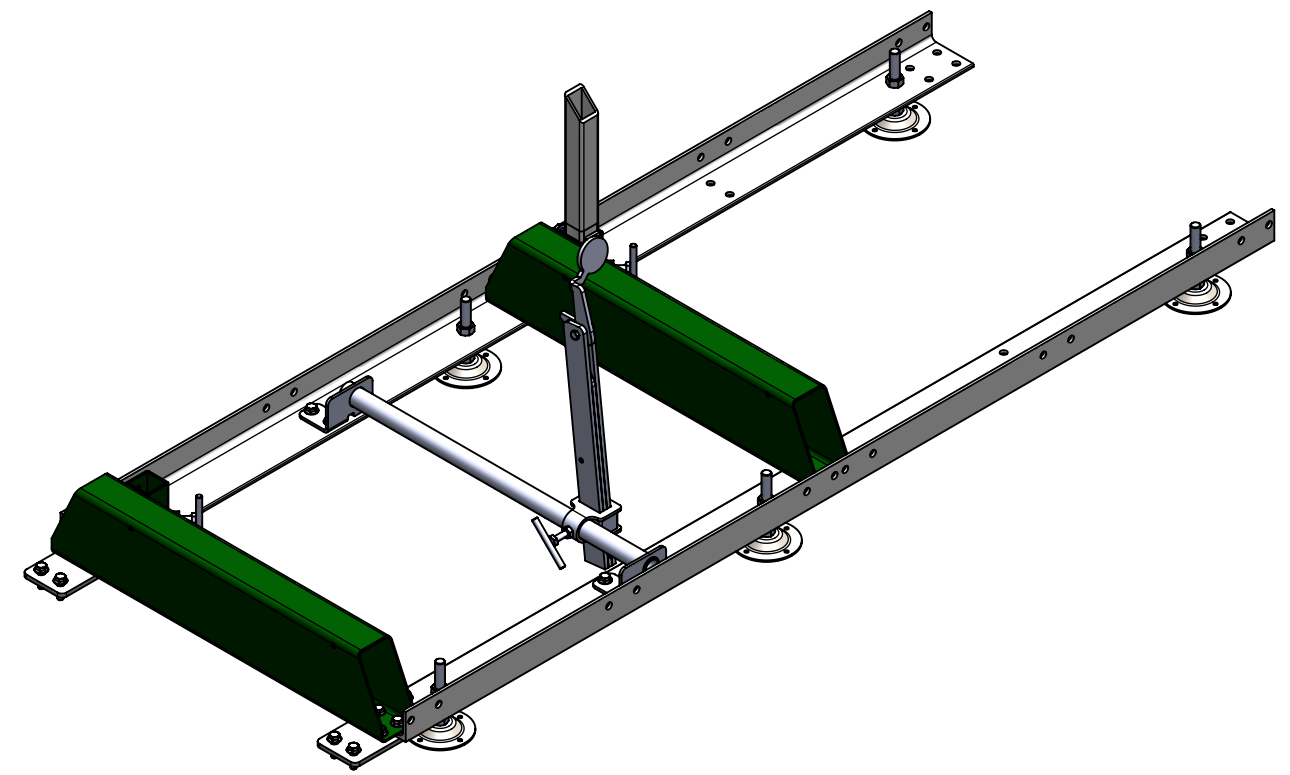
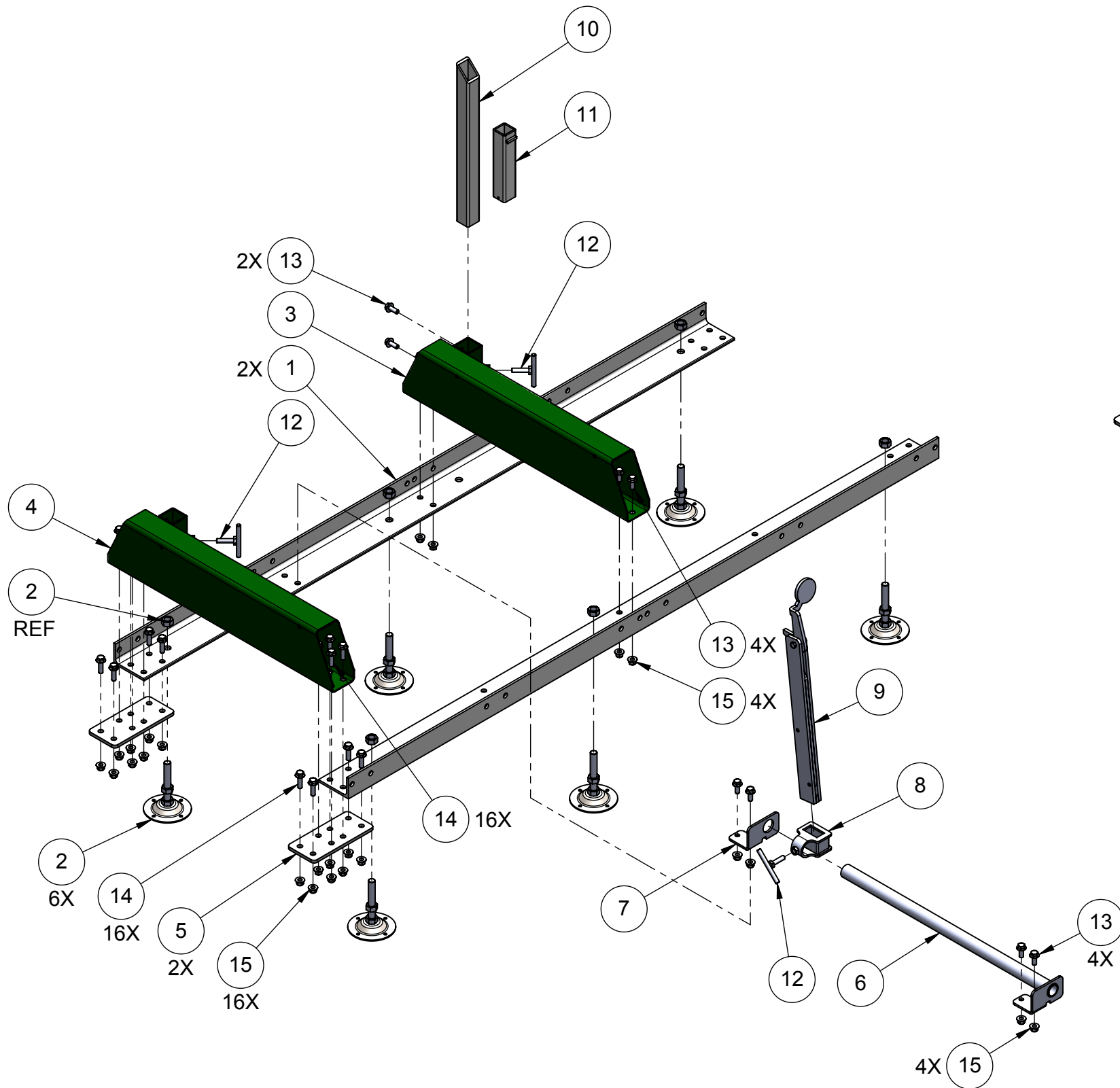


WOODLAND MILLS FORESTRY EQUIPMENT
171 NORTH PORT RD, UNIT #1
PORT PERRY, ON L9L 1B2, CANADA
1 (855) 476-6455

| | | | |
|-------------------|-----------------|----------------|-----|
| SIZE A3 | DWG NO | 0001054 | REV |
| SCALE 1:16 | DATE 10-12-2019 | SHEET 1 OF 3 | |

C:\VAULT\PRODUCTS\SAWMILLS\COMPONENTS\TRACK\0001054

HM126 TRACK EXTENSION



| ITEM | QTY | PART NO | DESCRIPTION | LEGACY |
|------|-----|---------|--|--------|
| 15 | 24 | HDW | LOCK NUT, FLANGED, M10 X 1.5 | N/A |
| 14 | 16 | HDW | HEX BOLT, FLANGED, M10 X 1.5, 35 mm LG | N/A |
| 13 | 10 | HDW | HEX BOLT, FLANGED, M10 X 1.5, 25 mm LG | N/A |
| 12 | 3 | 0001059 | T-BOLT, M10 X 1.5, 40 mm LG | 87 |
| 11 | 1 | 0001465 | LOG SUPPORT, SHORT | 91 |
| 10 | 1 | 0001056 | LOG SUPPORT, LONG | 82 |
| 9 | 1 | 0001211 | LOG CLAMP | 192 |
| 8 | 1 | 0001061 | LOG CLAMP RECEIVER | 191 |
| 7 | 1 | 0001069 | LOG CLAMP SHAFT BRACKET | 503 |
| 6 | 1 | 0001062 | LOG CLAMP SHAFT AND BRACKET WELDMENT | 504 |
| 5 | 2 | 0001072 | REINFORCEMENT PLATE | 98 |
| 4 | 1 | 0001084 | LOG BUNK, CENTER | 136 |
| 3 | 1 | 0001080 | LOG BUNK, MID | 47 |
| 2 | 6 | 0001070 | LEVELLING FOOT | 189 |
| 1 | 2 | 0001073 | TRACK RAIL | 173 |

PARTS LIST

NOTES:

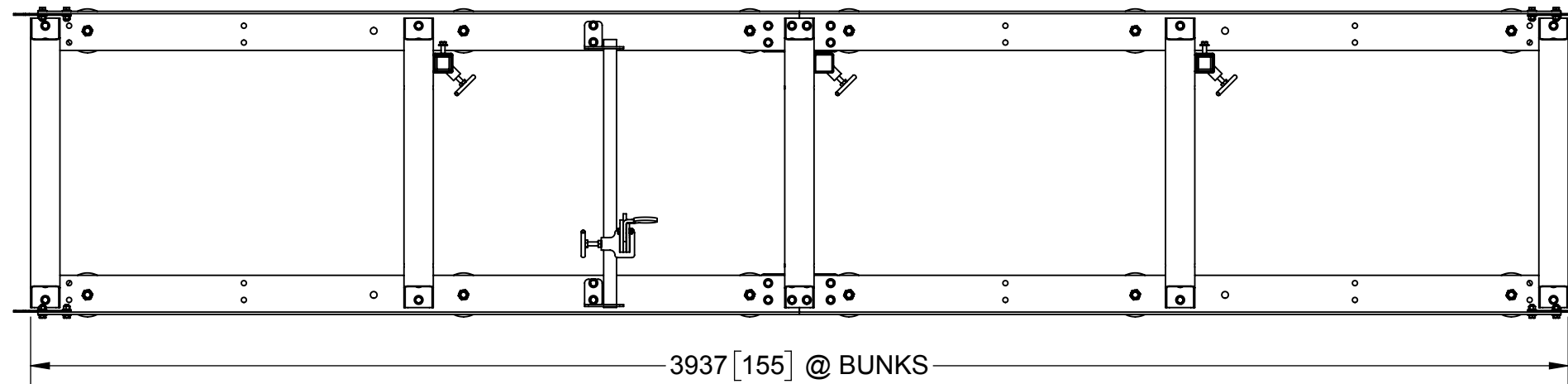
1. DIMENSIONS LOCATED WITHIN SQUARE BRACKETS [] ARE IN INCHES.
2. RECOMMENDED SHIPPING BOX SIZE: 83-1/2L X 32W X 24-1/2H in [2120L X 810W X 620H mm].
3. SHIPPING WEIGHT: 127 lb [58 kg].



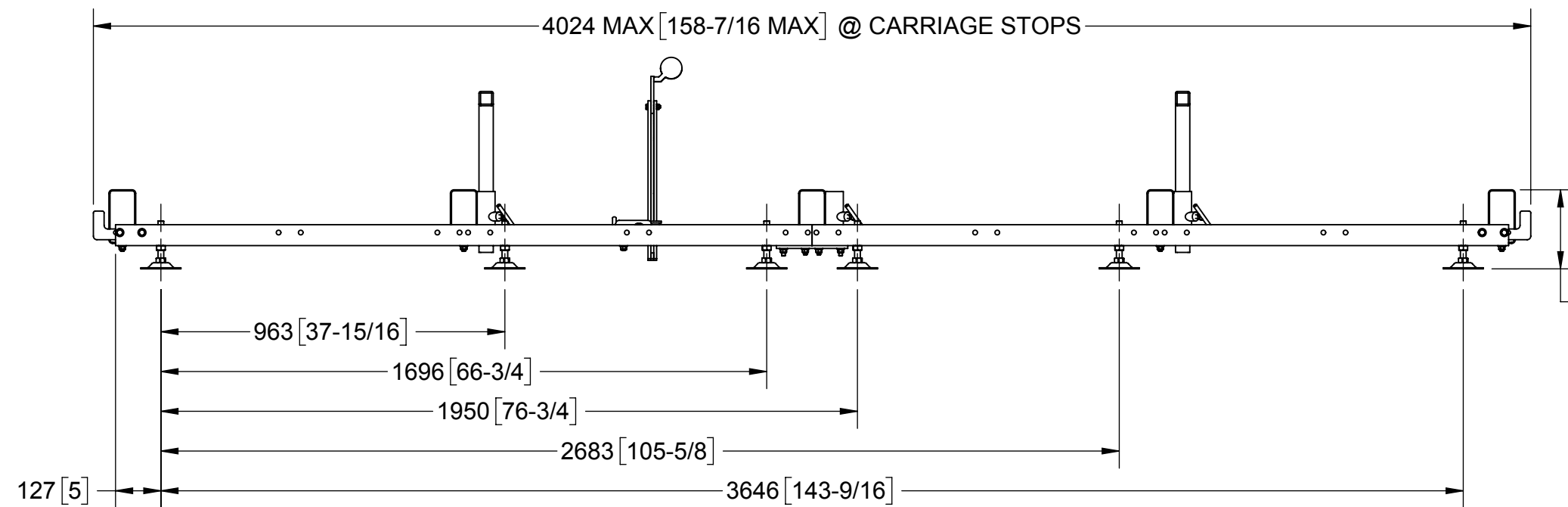
WOODLAND MILLS FORESTRY EQUIPMENT
171 NORTH PORT RD, UNIT #1
PORT PERRY, ON L9L 1B2, CANADA
1 (855) 476-6455

| | | |
|-------------------|--------------------------|--------------|
| SIZE A3 | DWG NO 0001700 | REV |
| SCALE 1:12 | DATE 05-11-2019 | SHEET 1 OF 1 |

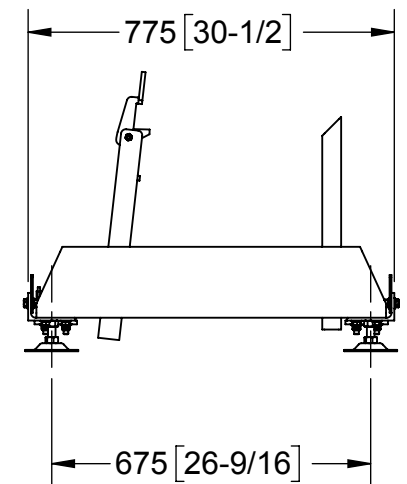
HM126 STANDARD TRACK ASSEMBLY



→ DIRECTION OF CUT



ADJUSTABLE
200 TO 270
[7-7/8 TO 10-5/8]



NOTES:

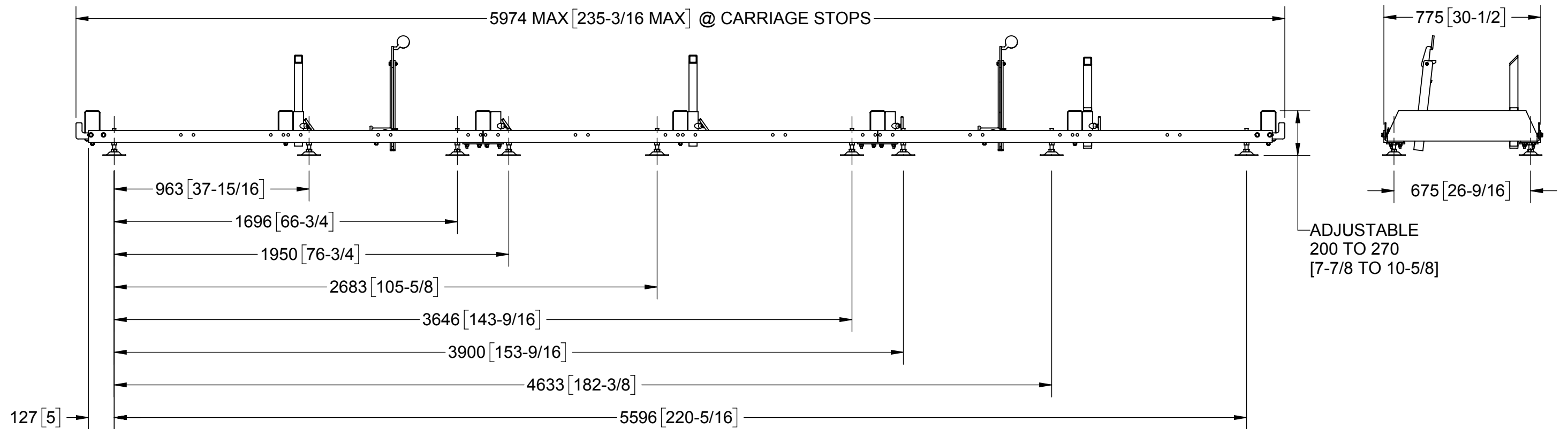
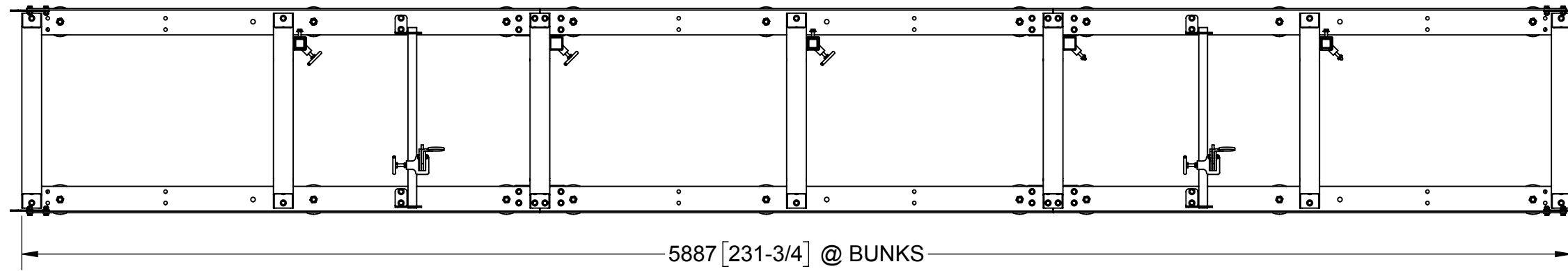
1. DIMENSIONS LOCATED WITHIN SQUARE BRACKETS [] ARE IN INCHES.



WOODLAND MILLS FORESTRY EQUIPMENT
171 NORTH PORT RD, UNIT #1
PORT PERRY, ON L9L 1B2, CANADA
1 (855) 476-6455

| | | |
|-------------------|--------------------------|--------------|
| SIZE A3 | DWG NO 0001054 | REV |
| SCALE 1:16 | DATE 10-12-2019 | SHEET 2 OF 3 |

HM126 TRACK ASSEMBLY WITH EXTENSION



NOTES:

1. DIMENSIONS LOCATED WITHIN SQUARE BRACKETS [] ARE IN INCHES.



WOODLAND MILLS FORESTRY EQUIPMENT
171 NORTH PORT RD, UNIT #1
PORT PERRY, ON L9L 1B2, CANADA
1 (855) 476-6455

| | | |
|-------------------|--------------------------|--------------|
| SIZE A3 | DWG NO 0001054 | REV |
| SCALE 1:20 | DATE 10-12-2019 | SHEET 3 OF 3 |