



**WaterFurnace**®   
Smarter from the Ground Up™

## Specification Catalog

**3 Series**  
**300A11**

Geothermal heat pump  
2-6 ton (dual capacity)



# Table of Contents

---

- Model Nomenclature ..... 5
- AHRI/ISO 13256-1 Performance Ratings..... 6-7
- 3 Series Design Features..... 8-10
- The Aurora™ Control System ..... 11-16
- Operation Logic Data Table ..... 17
- Water Quality ..... 17
- Dimensional Data..... 18
- Physical Data.....20
- Auxiliary Heat Ratings..... 21
- Auxiliary Heat Electrical Data ..... 21
- Electrical Data ..... 21
- Blower Performance Data..... 22-23
- Reference Calculations ..... 24
- Legend and Notes ..... 24
- Operating Limits..... 24
- Antifreeze Corrections ..... 25
- Correction Factor Tables..... 26
- Pressure Drop ..... 27
- Performance Data ..... 28-37
- Wiring Schematics..... 38
- Engineering Guide Specifications ..... 42-44
- Revision Guide ..... 45

# 3 Series

## 300A11 Geothermal Heat Pump



The WaterFurnace 3 Series is our newest offering and was designed to complement our 5 and 7 Series units. 3 Series units benefit from technology that's been refined through 30 years of research, engineering advancements, and manufacturing experience - all at a great price point. The 3 Series 300A11 offers two-stage scroll compressors and 5-Speed ECM blowers for high efficiency and quiet operation while our Aurora controls platform provides simple setup and diagnosis. It's our first residential unit to come standard with durable all-aluminum air coils for formicary corrosion protection and our proprietary AlumiSeal™ coating option for extra peace of mind. All models utilize ozone-safe R410A refrigerant to meet the most stringent EPA requirements. The 3 Series is available in five dual capacity sizes (2 to 6 ton) with Copeland Scroll UltraTech™ compressors.

5-Speed ECM blower motors bridge the gap of high efficiency ECM capability with great value. ECM blowers are used to increase comfort, efficiency, and airflow flexibility. The Aurora 'Base' Control (ABC) features a microprocessor control to sequence all components during operation for optimum performance. Plus, the ABC provides easy-to-use troubleshooting features with fault lights, on-board diagnostics, and a hand held Aurora Interface Diagnostic (AID) Tool. Unit configurations include vertical top discharge (left or right return) and horizontal units with left or right return a side or end discharge. Heavy-gauge metal cabinets are fully insulated and coated with an attractive and durable gray paint for long lasting protection. The cabinet's rounded front corners and 3 Series nameplate add a touch of elegance to the unit.

3 Series products are performance-certified to AHRI/ISO 13256-1 standards, ETL listed, ENERGY STAR® qualified, and tested in an ISO 17025 accredited testing lab.

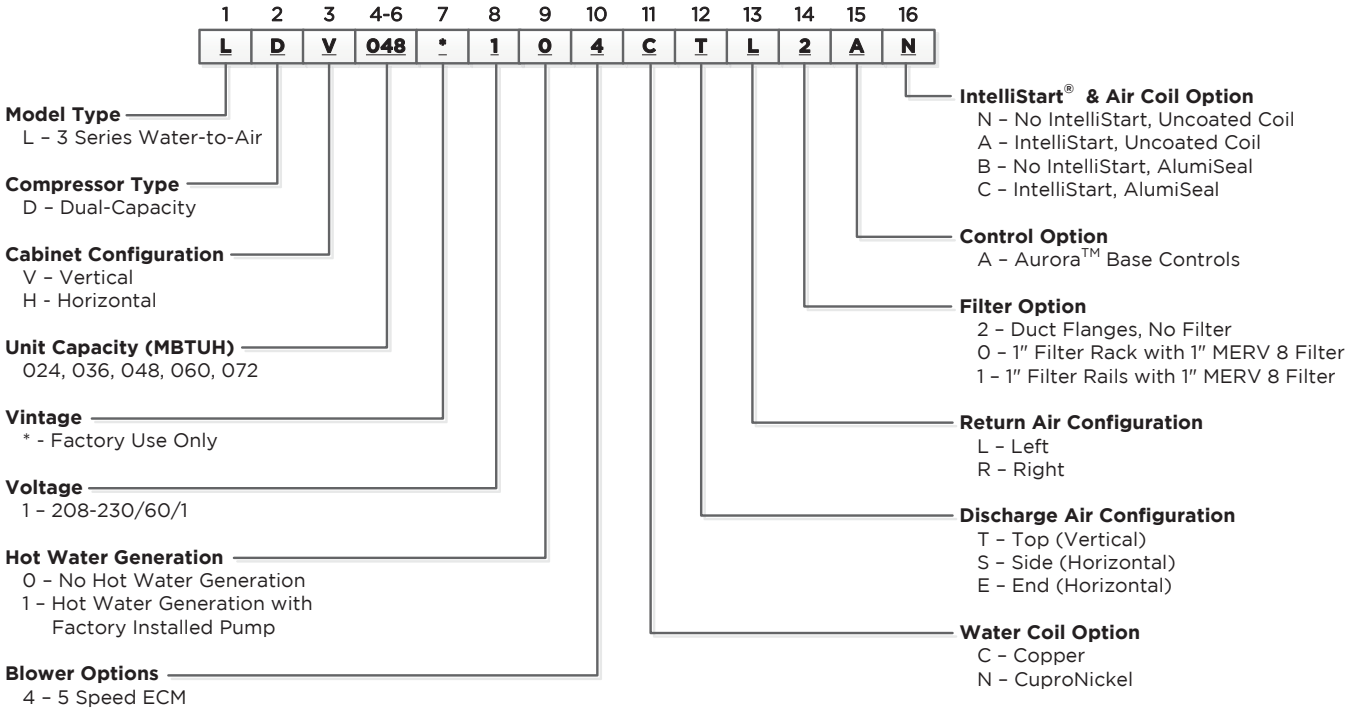
As a leader in the industry, WaterFurnace is dedicated to innovation, quality, and customer satisfaction. In fact, every unit built is exposed to a wide range of quality control procedures throughout the assembly process and is then subjected to a rigorous battery of computerized run tests to certify that it meets or exceeds performance standards for efficiency and safety, and will perform flawlessly at startup. As further affirmation of our quality standards, each unit carries our exclusive Quality Assurance emblem, signed by the final test technician.

WaterFurnace International's corporate headquarters ISO 9001:2008 and manufacturing facility is located in Fort Wayne, IN. A scenic three-acre pond located in front of the building serves as our geothermal heating and cooling source to comfort-condition our 110,000 square feet of manufacturing and office space. As a pioneer, and now a leader in the industry, the team of WaterFurnace engineers, customer support staff, and skilled assembly technicians is dedicated to providing the finest comfort systems available.



By choosing or specifying WaterFurnace 3 Series products, you can be assured that your customer is investing in the ultimate comfort system and peace of mind for many years to come.

# Model Nomenclature



Rev.: 12 June 2014D

# AHRI/ISO 13256-1 Performance Ratings

## 5 Speed ECM motor AHRI/ASHRAE/ISO 13256-1

English (IP) Units

Model	Capacity Modulation	Flow Rate		Water Loop Heat Pump				Ground Water Heat Pump				Ground Loop Heat Pump			
				Cooling EWT 86°F		Heating EWT 68°F		Cooling EWT 59°F		Heating EWT 50°F		Cooling Brine Full Load 77°F Part Load 68°F		Heating Brine Full Load 32°F Part Load 41°F	
		gpm	cfm	Capacity Btuh	EER Btuh/W	Capacity Btuh	COP	Capacity Btuh	EER Btuh/W	Capacity Btuh	COP	Capacity Btuh	EER Btuh/W	Capacity Btuh	COP
024	Full	8	800	22,000	13.9	28,300	4.9	25,100	20.6	23,500	4.4	23,100	15.6	18,900	3.8
	Part	7	600	16,300	14.7	20,800	5.3	18,800	24.4	17,000	4.5	18,200	20.6	14,900	4.1
036	Full	9	1200	33,700	13.5	42,500	4.7	38,000	19.7	35,500	4.2	35,100	15.5	26,000	3.6
	Part	8	1000	25,300	15.4	30,500	5.3	28,900	25.5	25,200	4.5	27,600	21.5	21,000	4.1
048	Full	12	1600	46,500	14.8	53,900	4.8	52,300	21.8	45,000	4.3	49,000	16.0	36,000	3.7
	Part	11	1400	34,800	16.5	39,700	5.4	39,800	27.3	32,800	4.5	38,200	22.0	28,500	4.1
060	Full	16	1800	57,200	14.3	69,000	4.5	64,100	20.7	56,500	4.0	59,900	16.5	45,300	3.4
	Part	14	1500	43,000	15.9	51,000	4.9	49,100	26.2	42,400	4.2	47,200	22.3	36,000	3.9
072	Full	18	1900	64,400	14.4	82,800	4.5	71,800	20.8	68,500	4.1	67,000	16.4	52,000	3.5
	Part	16	1550	50,400	15.7	63,600	4.8	56,800	25.3	52,800	4.1	54,200	21.9	42,500	3.7

Cooling capacities based upon 80.6°F DB, 66.2°F WB entering air temperature  
 Heating capacities based upon 68°F DB, 59°F WB entering air temperature  
 All ratings based upon 208V operation

8/06/2014

## 5 Speed ECM motor ARI/ASHRAE/ISO 13256-1

Metric (SI) Units

Model	Capacity Modulation	Flow Rate		Water Loop Heat Pump				Ground Water Heat Pump				Ground Loop Heat Pump			
				Cooling EWT 30°C		Heating EWT 20°C		Cooling EWT 15°C		Heating EWT 10°C		Cooling Brine Full Load 25°C Part Load 20°C		Heating Brine Full Load 0°C Part Load 5°C	
		water L/S	air L/S	Capacity Watts	EER (W/W)	Capacity Watts	COP	Capacity Watts	EER (W/W)	Capacity Watts	COP	Capacity Watts	EER (W/W)	Capacity Watts	COP
024	Full	0.5	377.6	6,448	4.1	8,294	4.9	7,356	6.0	6,887	4.4	6,770	4.6	5,539	3.8
	Part	0.4	283.2	4,777	4.3	6,096	5.3	5,510	7.2	4,982	4.5	5,334	6.0	4,367	4.1
036	Full	0.6	566.4	9,877	4.0	12,456	4.7	11,137	5.8	10,404	4.2	10,287	4.5	7,620	3.6
	Part	0.5	472.0	7,415	4.5	8,939	5.3	8,470	7.5	7,386	4.5	8,089	6.3	6,155	4.1
048	Full	0.8	755.2	13,628	4.3	15,797	4.8	15,328	6.4	13,189	4.3	14,361	4.7	10,551	3.7
	Part	0.7	660.8	10,199	4.8	11,635	5.4	11,665	8.0	9,613	4.5	11,196	6.4	8,353	4.1
060	Full	1.0	849.6	16,764	4.2	20,223	4.5	18,787	6.1	16,559	4.0	17,556	4.8	13,277	3.4
	Part	0.9	708.0	12,603	4.7	14,947	4.9	14,390	7.7	12,427	4.2	13,834	6.5	10,551	3.9
072	Full	1.1	896.8	18,875	4.2	24,267	4.5	21,043	6.1	20,076	4.1	19,637	4.8	15,240	3.5
	Part	1.0	731.6	14,771	4.6	18,640	4.8	16,647	7.4	15,475	4.1	15,885	6.4	12,456	3.7

Cooling capacities based upon 27°C DB, 19°C WB entering air temperature  
 Heating capacities based upon 20°C DB, 15°C WB entering air temperature  
 All ratings based upon 208V operation

8/06/2014

cfm\*0.472 = l/s  
 gpm\*0.0631 = l/s  
 in wg\*249 = pascals  
 ft of hd \*2990 = pascals

### Energy Star Compliance Table

Model	Tier 3	
	Ground Water	Ground Loop
024	X	X
036	X	X
048	X	X
060	X	X
072	X	X

7/30/14

### Energy Star Rating Criteria

In order for water-source heat pumps to be Energy Star rated they must meet or exceed the minimum efficiency requirements listed below. Tier 3 represents the current minimum efficiency water source heat pumps must have in order to be Energy Star rated.

#### Tier 3: 1/1/2012 - No Effective End Date Published

Water-to-Air	EER	COP
Ground Loop	17.1	3.6
Ground Water	21.1	4.1
Water-to-Water		
Ground Loop	16.1	3.1
Ground Water	20.1	3.5

## AHRI/ISO 13256-1 Performance Ratings cont.

The performance standard AHRI/ASHRAE/ISO 13256-1 became effective January 1, 2000 and replaces ARI Standards 320, 325, and 330. This new standard has three major categories: Water Loop (comparable to ARI 320), Ground Water (ARI 325), and Ground Loop (ARI 330). Although these standards are similar there are some differences:

### Unit of Measure: The Cooling COP

The cooling efficiency is measured in EER (US version measured in Btu/h per Watt. The Metric version is measured in a cooling COP (Watt per Watt) similar to the traditional COP measurement.

### Water Conditions Differences

Entering water temperatures have changed to reflect the centigrade temperature scale. For instance the water loop heating test is performed with 68°F (20°C) water rounded down from the old 70°F (21.1°C).

### Air Conditions Differences

Entering air temperatures have also changed (rounded down) to reflect the centigrade temperature scale. For instance the cooling tests are performed with 80.6°F (27°C) dry bulb and 66.2°F (19°C) wet bulb entering air instead of the traditional 80°F (26.7°C) DB and 67°F (19.4°C) WB entering air temperatures. 80.6/66.2 data may be converted to 80/67 using the entering air correction table. This represents a significantly lower relative humidity than the old 80/67 of 50% and will result in lower latent capacities.

### Pump Power Correction Calculation

Within each model, only one water flow rate is specified for all three groups and pumping Watts are calculated using the following formula. This additional power is added onto the existing power consumption.

- Pump power correction = (gpm x 0.0631) x (Press Drop x 2990) / 300

Where 'gpm' is waterflow in gpm and 'Press Drop' is the pressure drop through the unit heat exchanger at rated water flow in feet of head.

### Blower Power Correction Calculation

Blower power is corrected to zero external static pressure using the following equation. The nominal airflow is rated at a specific external static pressure. This effectively reduces the power consumption of the unit and increases cooling capacity but decreases heating capacity. These Watts are significant enough in most cases to increase EER and COPs fairly dramatically over ARI 320, 325, and 330 ratings.

- Blower Power Correction = (cfm x 0.472) x (esp x 249) / 300

Where 'cfm' is airflow in cfm and 'esp' is the external static pressure at rated airflow in inches of water gauge.

### ISO Capacity and Efficiency Calculations

The following equations illustrate cooling calculations:

- ISO Cooling Capacity = Cooling Capacity (Btu/h) + (Blower Power Correction (Watts) x 3.412)
- ISO EER Efficiency (W/W) = ISO Cooling Capacity (Btu/h) x 3.412 / [Power Input (Watts) - Blower Power Correction (Watts) + Pump Power Correction (Watt)]

The following equations illustrate heating calculations:

- ISO Heating Capacity = Heating Capacity (Btu/h) - (Blower Power Correction (Watts) x 3.412)
- ISO COP Efficiency (W/W) = ISO Heating Capacity (Btu/h) x 3.412 / [Power Input (Watts) - Blower Power Correction (Watts) + Pump Power Correction (Watt)]

### Comparison of Test Conditions

	ARI 320	ISO/AHRI 13256-1 WLHP	ARI 325	ISO/AHRI 13256-1 GWHP	ARI 330	ISO/AHRI 13256-1 GLHP
<b>Cooling</b>						
Entering Air - DB/WB °F	80/67	80.6/66.2	80/67	80.6/66.2	80/67	80.6/66.2
Entering Water - °F	85	86	50/70	59	77	77
Fluid Flow Rate	*	**	**	**	**	**
<b>Heating</b>						
Entering Air - DB/WB °F	70	68	70	68	70	68
Entering Water - °F	70	68	50/70	50	32	32
Fluid Flow Rate	*	**	**	**	**	**

**NOTES:** \* Flow rate is set by 10°F rise in standard cooling test

\*\* Flow rate is specified by the manufacturer

Part load entering water conditions not shown

WLHP = Water Loop Heat Pump; GWHP = Ground Water Heat Pump; GLHP = Ground Loop Heat Pump

### Conversions:

Airflow (lps) = cfm x 0.472;

WaterFlow (lps) = gpm x 0.0631;

ESP (Pascals) = ESP (in wg) x 249;

Press Drop (Pascals) = Press Drop (ft hd) x 2990



## 3 Series Design Features



- ① **COMPRESSOR:** Copeland Scroll UltraTech™ (dual capacity) represent the latest technology
- ② **DOUBLE ISOLATED COMPRESSOR:** Double isolated compressor mounting to reduce noise and vibration
- ③ **AURORA CONTROLS & AID TOOL:** Aurora 'Base' Control and Aurora AID Tool
- ④ **OPTIONAL HOT WATER ASSIST:** Provides free hot water in cooling and very high efficiency hot water generation in heating mode. Internally mounted pump.
- ⑤ **COAXIAL HEAT EXCHANGER:** Standard large high efficiency copper (optional cupronickel) coax with our exclusive void-free and robotically applied ThermaShield insulation coating
- ⑥ **BALANCED PORT/BIDIRECTIONAL EXPANSION VALVE:** Balanced port bidirectional expansion valve for rock steady superheat control and reliable efficiency and operation at any condition
- ⑦ **AIR COIL:** All aluminum air coil to prevent formicary corrosion.
- ⑧ **DISCHARGE MUFFLER:** Helps quiet compressor gas pulsations
- ⑨ **5-SPEED ECM BLOWER MOTOR:** Standard high efficiency 5-Speed ECM motor.
- ⑩ **RETURN AIR CONNECTION:** Standard with return air duct flanges and no filter. Optional 1" filter rails or 1" filter rack with 1" MERV8 filter.
- ⑪ **FILTER:** High holding capacity 1 in. pleated MERV 8 filter is optional.
- ⑫ **SWIVEL LOOP CONNECTIONS:** Leak free swivel water connections provide a hand tight gasket connection that easily handles the temperature extremes of geothermal earth loops
- ⑬ **INTELLISTART®:** Optional single phase soft starter
- ⑭ **INSULATION:** Cleanable foil lined insulation to prevent mold growth; corrosion resistant composite drain pan
- ⑮ **CABINET FINISH:** Heavy gauge galvanized sheet metal cabinet has 1,000 hr. salt spray rated gray powder coat paint for long life
- ⑯ **ACCESS PANELS:** Lift out front bottom access panel, lift out panels for easier removal and servicing
- ⑰ **CONTROL BOX:** Unit controls feature quick connect wiring harnesses for easy servicing. Separate knockouts for LV and two for power on two sides allow easy access to the control box. 75VA transformer assures adequate controls power.
- ⑱ **HOT WATER GENERATOR SWITCH & AID TOOL PORT:** Hot water generator switch for easy enabling/disabling of the hot water generator pump; AID Tool port provides quick AID Tool connection



## 3 Series Design Features cont.

### What's New?

- AHRI/ISO 13256-1 Ratings meet ENERGY STAR® requirements
- ENERGY STAR® Most Efficient recognized - 2 Way communicating controls and efficiency that meets or exceeds minimum requirement.
- All-aluminum air coils prevent formicary corrosion
- Latest technology compressors
  - Copeland UltraTech™ K5 Compressors in dual capacity units (sizes 024, 036, 048, 060, 072)
- Discharge line mufflers on all models to help quiet compressor discharge gas pulsations.
- 5-Speed ECM blower motor for high efficiency
- Communicating Digital Thermostats: The Aurora controls system features either monochromatic or color touch screen graphic display thermostats for user interface with the 3 Series system. These displays not only feature easy to use graphical interface but display alerts and faults in plain English.
- Aurora™ Communicating Control Features
  - *Traditional Safety Sensors:* HP, LP, condensate overflow, freeze detection loop, freeze detection air coil
  - *Electric Heat Powered Blower and Controls:* Prevents the compressor from tripping out and disabling heat in the house
  - *Internet Ready:* With optional Aurora WebLink (AWL) device and Tendril Web Portal
- Advanced Service Features
  - Aurora Controls with the AID Tool provide advanced service diagnostics. With this device setup and configurations as well as real-time sensors fault and lockout history can be monitored and much more.
  - Aurora can be internet capable simply by adding the Aurora WebLink (AWL). This device will connect your Aurora system to web for remote monitoring and control. It also comes standard with an SD drive for storing operating and performance data. Providing 'black box' capability.
  - Complete air flow control throughout the unit's operating range
- Cabinet Design - Improved design of access panels for ease of access
- Cabinet Configurations - Vertical left or right return, horizontal left or right return with either end or side air discharge

### Application Flexibility

- Safe, efficient operation in a wide range of liquid temperatures (20°F to 120°F) and flow rates (as low as 1.5 gpm/ton in open loop applications when EWT >50°F)
- Top air discharge for upflow in vertical units, side or end discharge for horizontal units
- True left or right return air locations—vertical units include duct collar/return air flanges

- 5-Speed ECM blower motors provide ECM efficiency at PSC capability
- Narrow cabinet for easy movement through doorways
- Internally trapped condensate piping on vertical units for neat, compact installation
- Optional field-installed auxiliary electric heater
- Corner-located electrical box for field wiring from two sides
- Circuit breaker protected loop pump power block for easy wiring
- Relay to control field-mounted accessories
- Field-selectable freeze detection setting for well or closed loop systems
- Simple to install and simple to service - Unlike some geothermal heat pumps, cabinet allows plenty of access and has spacious interior. The Aurora AID Tool makes set up and diagnostics a breeze.

### Operating Efficiencies

- AHRI/ISO 13256-1 rating for heating COPs, cooling EERs, and low water flow requirements
- Optional hot water generator with internal pump generates hot water at considerable savings while improving overall system efficiency
- High-stability expansion valve delivers optimum refrigerant flow over a wide range of conditions and provides bidirectional operation without troublesome check valves
- Efficient scroll compressors operate quietly
- Coaxial tube water-to-refrigerant heat exchanger operates at low liquid pressure drops
- Convoluted copper water tube functions efficiently at low flow rates
- Large, low-RPM blowers with 5-Speed ECM motors provide quiet and efficient air movement with high static capability.
- Utilizes the ozone-friendly R-410A refrigerant which produces higher efficiencies and warmer discharge air temperatures

### Service Advantages

- Removable panels: three for the compressor compartment and one (on horizontals) or two (on verticals) for the air handling compartment to provide quick access to all internal components with ductwork in place
- Easily accessible thermal expansion valve
- Brass, swivel-type water connections for quick connection union, and elimination of wrenches and sealants during installation; sweat type connections are on the hot water generator
- Insulated divider and separate air handling/compressor access panels permit service testing without air bypass
- Designed for front access in tight applications
- LED fault and status lights on the Aurora board with memory for easy diagnostics

## 3 Series Design Features cont.

- Aurora AID Tool provides enhanced service information via communication directly with the Aurora control including sensor inputs, fault history, and much more
- Detachable thermostat connection strip for wiring convenience
- Hot water pump shut-off switch for easy startup and service
- Control box and blower motors have quick-attach wiring plugs for easy removal
- Internal drop-out blower with permanently-lubricated ball bearing motor
- High- and low-pressure service ports in refrigerant circuit.
- Blower and transformer powered from auxiliary heat supply (when installed) to provide emergency heat with open compressor circuit breaker

### Product Quality

- Heavy-gauge steel cabinets are painted with durable powder coat paint for long lasting beauty and service
- Coaxial heat exchanger, refrigerant suction lines, hot water generator coil, and all water pipes are fully insulated to reduce condensation problems in low temperature operation
- All aluminum air coils prevent formicary corrosion.
- Noise reduction features include double isolation mounted compressors and soft starting blower motors; insulated compressor compartment; interior cabinet insulation using 1/2 in. coated glass fiber;
- Safety features include high- and low-pressure refrigerant controls to protect the compressor, condensate overflow protection, freeze detection sensor to safeguard the coaxial heat exchanger, blower start detection, hot water high-limit, and fault lockout enables emergency heat and prevents compressor operation until thermostat or circuit breaker is reset

### Microprocessor Benefits

- Communicating monochromatic or color digital auto-changeover thermostat with 3-stage heating/2-stage cooling holds precise temperature and provides varying blower speed control
- Component sequencing delays for quiet startup, shutdown, and timed staging of auxiliary electric heat
- Communication capability for future expansions

### Options and Accessories

- Communicating Digital Thermostats
  - *Monochromatic Graphic Display Thermostats:* For user interface with the Aurora system; these displays not only feature easy to use graphical interface but display alerts and faults in plain English.
  - *Color Touch Screen Graphic Display Thermostats:* For user interface with the Aurora system;

these displays not only feature easy to use graphical interface but display alerts and faults in plain English. Other features include full color implementation, user loaded background photos, and USB port for easy configuration and software updates.

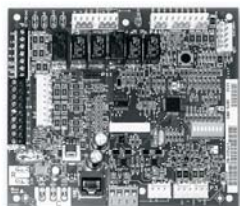
- IntelliZone2 24V Zone System: The 24V IntelliZone2 zoning system provides 4 zones (Dual Capacity), or 2 zones (Single Speed) of individualized comfort via communication to the Aurora Control System.
- AID Tool: The Aurora Interface and Diagnostics (AID) Tool is a plug-in configuration and troubleshooting tool for the Aurora Control System.
- Aurora WebLink (AWL): The Aurora Control System can be made internet capable simply by adding the Aurora WebLink (AWL) device. The AWL will connect your Aurora system to the web for remote monitoring and control. It also comes standard with an SD disc for storing operating and performance data providing true 'black box' capability for troubleshooting.
- Optional cupronickel heat exchangers for open loop applications
- Optional hot water generator with internally mounted pump and water heater plumbing connector
- Electronic auto-changeover thermostat with 3-stage heating/2-stage cooling and indicator LEDs (non-communicating)
- Optional 1" MERV 8 Filter
- 24 Volt 1 in. electronic air cleaner
- 90% efficient, cleanable electrostatic filters
- Closed loop flow center in several sizes
- Auxiliary electric heater
- Hose kits
- Additional accessory relay
- IntelliStart soft starter

### Manufacturing Quality

- All units are computer run-tested, with conditioned source water, in all modes to ensure efficiency and reliability
- All refrigerant brazing is performed in a nitrogen atmosphere
- All units are deep evacuated to less than 150 microns prior to refrigerant charging
- All joints are helium leak-tested to ensure an annual leak rate of less than 1/4 ounce
- All major components bar coded; eliminating possibility of mismatched parts built into unit
- All assembly technicians thoroughly trained in proper quality procedures
- All units have model number and serial number embedded in control for local or remote retrieval
- WaterFurnace International, Inc. is an ISO 9001:2008 certified manufacturing facility
- WaterFurnace International, Inc. engineering labs are ISO 17025 accredited

# The Aurora™ Control System

## Aurora 'Base' Control









The Aurora 'Base' Control (ABC) System is a complete residential and commercial comfort system that brings all aspects of the HVAC system into one cohesive module network. The ABC features microprocessor control and HP, LP, condensate and freeze detection, over/

under voltage faults, along with communicating

thermostat capability for complete fault detection text at the thermostat. Aurora uses the Modbus communication protocol to communicate between modules. Each module contains the logic to control all features that are connected to the module. The Aurora 'Base' Control (ABC) has two Modbus channels. The first channel is configured as a master for connecting to devices such as a communicating thermostat or other slave devices. The second channel is configured as a slave for connecting the Aurora Interface Diagnostics Tool (AID Tool).

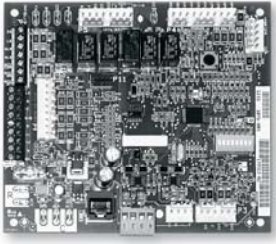
Aurora Control Features	Description	Aurora 'Base'
<b>Microprocessor Compressor Control</b>	Microprocessor control of compressor for timings with FP1, HP, LP, Condensate, assignable Acc relay	•
<b>Base Hot Water Generator Operation</b>	Compressor Contactor powers Hot Water Generator Pump with inline circuit breaker and thermostat limit.	•
<b>Base Loop Pump Control</b>	Compressor Contactor powers Loop Pump with inline circuit breaker and no loop pump slaving capability.	•
<b>Load Shed/Utility Input</b>	Allows simple input to externally enable of occupied/unoccupied mode for basic utility time of use programs.	•
<b>(AWL and Portal) Kit</b>	Allows direct communication of the Aurora to AWL and the Internet.	Optional

Service Device	Description	Aurora 'Base'
 <b>Aurora Interface and Diagnostics (AID) Tool</b>	Allows setup, monitoring and troubleshooting of any Aurora Control.  <b>NOTE:</b> Although the ABC has basic compatibility with all Aurora, new product features may not be available on older AID Tools.	For Service (Ver. 2.xx or greater)

Add On Thermostats and Zoning	Description	Aurora 'Base'
 <b>TP32U03/04 - MonoChrome Traditional Y1, Y2 Thermostat</b>	Elite Stat with full English fault codes and alerts, traditional Y1, Y2 thermostat, 8 wire installation	Optional
 <b>TP32S01/02 - Traditional Y1, Y2 Thermostat</b>	Traditional Y1, Y2 thermostat, 8 wire installation	Optional
 <b>TPCM32U03/04 - MonoChrome Communicating Thermostat</b>	Elite Stat with full English fault codes and alerts, communicating thermostat, 4 wire installation	Optional
 <b>TPCC32U01 - Color Touchscreen Communicating Thermostat</b>	4.3 in. color touchscreen communicating thermostat with full English fault codes and alerts, 4 wire installation	Optional
 <b>IntelliZone2® 24V Zoning</b>	IntelliZone2® 24V is a communicating zoning system that includes color main thermostat and up to 4 zones (with dual capacity). There are 3 thermostat options (MasterStat, SensorStat, ZoneStat). Includes daughter board to translate communication to 24VAC for heat pump	Optional

# The Aurora ‘Base’ Control System cont.

## Aurora ‘Base’ Control



**NOTE:** Refer to the Aurora Base Control Application and Troubleshooting Guide and the Instruction Guide: Aurora Interface and Diagnostics (AID) Tool for additional information.

### Control Features

**Software ABC Standard Version 2.02**

#### 5-Speed ECM Blower Motor

A 5-Speed ECM blower motor will be driven directly using the thermostat connections. Any of the G, Y1, or Y2/W signals can drive any of the 5 available pre-programmed blower speeds on the motor.

### Other Control Features

- Random start at power up
- Anti-short cycle protection
- High and low pressure cutouts
- Loss of charge
- Water coil freeze detection
- Over/under voltage protection
- Condensate overflow sensor
- Load shed
- Emergency shutdown
- Diagnostic LED
- Test mode push button switch
- Two auxiliary electric heat outputs
- Alarm output
- Accessory output with N.O. and N.C.
- Modbus communication (master)
- Modbus communication (slave)

### Field Selectable Options via Hardware

**DIP Switch (SW1)** – Test/Configuration Button (See SW1 Operation Table)

#### Test Mode

The control is placed in the test mode by holding the push button switch SW1 for 2 - 5 seconds. In test mode most of the control timings will be shortened by a factor of sixteen (16). LED3 (green) will flash at 1 second on and 1 second off. Additionally, when entering test mode LED1 (red) will flash the last lockout one time. Test mode will automatically time out after 30 minutes. Test mode can be exited by pressing and holding the SW1 button for 2 to 5 seconds or

by cycling the power. **NOTE:** Test mode will automatically be exited after 30 minutes.

#### Reset Configuration Mode

The control is placed in reset configuration mode by holding the push button switch SW1 for 50 to 60 seconds. This will reset all configuration settings and the EEPROM back to the factory default settings. LED3 (green) will turn off when entering reset configuration mode. Once LED3 (green) turns off, release SW1 and the control will reset.

#### DIP Switch (SW2)

**SW2-1** FP1 Selection – Low water coil temperature limit setting for freeze detection. On = 30°F; Off = 15°F.

**SW2-2** Not Used

**SW2-3** RV – O/B - thermostat type. Heat pump thermostats with “O” output in cooling or “B” output in Heating can be selected. On = O; Off = B.

**SW2-4 and 2-5** Access Relay Operation (P2)

Access Relay Operation	SW2-4	SW2-5
Cycle with Blower	ON	ON
Cycle with Compressor	OFF	OFF
Water Valve Slow Opening	ON	OFF
Cycle with Comm. T-stat Hum Cmd	OFF	ON

**Cycle with Blower** - The accessory relay will cycle with the blower output.

**Cycle with Compressor** - The accessory relay will cycle with the compressor output.

**Water Valve Slow Opening** - The accessory relay will cycle and delay both the blower and compressor output for 90 seconds.

**SW2-6** CC Operation – selection of single or dual capacity compressor. On = Single Stage; Off = Dual Capacity

**SW2-7** Lockout and Alarm Outputs (P2) – selection of a continuous or pulsed output for both the LO and ALM Outputs. On = Continuous; Off = Pulsed

**SW2-8** Future Use

#### Alarm Jumper Clip Selection

From the factory, ALM is connected to 24 VAC via JW2. By cutting JW2, ALM becomes a dry contact connected to ALG.

## The Aurora 'Base' Control System cont.

### Field Selectable Options via Software

(Selectable via the Aurora AID Tool)

#### Safety Features

The following safety features are provided to protect the compressor, heat exchangers, wiring and other components from damage caused by operation outside of design conditions.

**Fuse** - a 3 amp automotive type plug-in fuse provides protection against short circuit or overload conditions.

**Anti-Short Cycle Protection** - 4 minute anti-short cycle protection for the compressor.

**Random Start** - 5 to 80 second random start upon power up.

**Fault Retry** - in the fault condition, the control will stage off the outputs and then "try again" to satisfy the thermostat Y input call. Once the thermostat input calls are satisfied, the control will continue on as if no fault occurred. If 3 consecutive faults occur without satisfying the thermostat Y input call, then the control will go to Lockout mode.

**Lockout** - when locked out, the blower will operate continuously. The Alarm output (ALM) and Lockout output (L) will be turned on. The fault type identification display LED1 (Red) shall flash the fault code. To reset lockout conditions with SW2-8 On, thermostat inputs "Y1", "Y2", and "W" must be removed for at least 3 seconds. To reset lockout conditions with SW2-8 Off, thermostat inputs "Y1", "Y2", "W", and "DH" must be removed for at least 3 seconds. Lockout may also be reset by turning power off for at least 30 seconds or by enabling the emergency shutdown input for at least 3 seconds.

**Lockout With Emergency Heat** - if the control is locked out in the heating mode and W input is received, the control will operate in the emergency heat mode while the compressor is locked out. The first emergency heat output will be energized 10 seconds after the W input is received, and the blower will shift to high speed. If the control remains locked out, and the W input is present, additional stage of emergency heat will stage on after 2 minutes. When the W input is removed, all of the emergency heat outputs and blower will turn off.

**High Pressure** - fault is recognized when the Normally Closed High Pressure Switch, P4-9/10 opens, no matter how momentarily. The High Pressure Switch is electrically in series with the Compressor Contactor and serves as a hard-wired limit switch if an overpressure condition should occur.

**Low Pressure** - fault is recognized when the Normally Closed Low Pressure Switch, P4-7/8 is continuously open for 30 seconds. Closure of the LPS any time during the 30 second recognition time restarts the 30 second continuous

open requirement. A continuously open LPS shall not be recognized during the 2 minute startup bypass time.

**Loss of Charge** - fault is recognized when the Normally Closed Low Pressure Switch, P4-7/8 is open prior to the compressor starting.

**Condensate Overflow** - fault is recognized when the impedance between this line and 24 VAC common or chassis ground drops below 100K ohms for 30 seconds continuously.

**Freeze Detection (Coax)** - set points shall be either 30°F or 15°F. When the thermistor temperature drops below the selected set point, the control shall begin counting down the 30 seconds delay. If the thermistor value rises above the selected set point, then the count should reset. The resistance value must remain below the selected set point for the entire length of the appropriate delay to be recognized as a fault. This fault will be ignored for the initial 2 minutes of the compressor run time.

**Over/Under Voltage Shutdown** - An over/under voltage condition exists when the control voltage is outside the range of 18 VAC to 30 VAC. If the over/under voltage shutdown lasts for 15 minutes, the lockout and alarm relay will be energized. Over/under voltage shutdown is self-resetting in that if the voltage comes back within range of 18 VAC to 30 VAC for at least 0.5 seconds, then normal operation is restored.

### Operation Description

**Power Up** - The unit will not operate until all the inputs and safety controls are checked for normal conditions. The unit has a 5 to 80 second random start delay at power up. Then the compressor has a 4 minute anti-short cycle delay after the random start delay.

**Standby** In standby mode, Y1, Y2, W, DH, and G are not active. Input O may be active. The blower and compressor will be off.

#### Heating Operation

**Heating, 1st Stage (Y1)** - The blower is started on "Y1" speed immediately and the compressor is energized 10 seconds after the Y1 input is received.

**Heating, 2nd Stage (Y1, Y2)** - The compressor will be staged to full capacity 20 seconds after Y2 input is received. The 5 speed ECM blower will shift to Y2 speed immediately.

**Heating, 3rd Stage (Y1, Y2, W)** - The first stage of electric heat is energized 10 seconds after the W command is received. Blower will increase to "W" speed immediately. If the demand continues the second stage of electric heat will be energized after 5 minutes.



## The Aurora 'Base' Control System cont.

**Emergency Heat (W)** - The blower will be started on "W" speed, 10 seconds later the first stage of electric heat will be turned on. If the emergency heat demand is not satisfied after 2 minutes the second electric heat stage will be energized.

**Blower (G)** - The blower will start immediately upon receiving a thermostat G command. If there are no other commands from the thermostat the ECM will run on "G" speed until the G command is removed. Regardless of blower input (G) from the thermostat, the blower will remain on for 30 seconds at the end of each heating cycle.

### Cooling Operation

In all cooling operations, the reversing valve directly tracks the O input. Thus, anytime the O input is present, the reversing valve will be energized.

**Cooling, 1st Stage (Y1, O)** - The blower is started on "Y1" speed immediately and the compressor is energized 10 seconds after the Y1 input is received.

**Cooling, 2nd Stage (Y1, Y2, O)** - The compressor will be staged to full capacity 20 seconds after Y2 input is received. The 5 speed ECM blower will shift to Y2 speed immediately.

**Emergency Shutdown** - Four (4) seconds after a valid ES input, P2-7 is present, all control outputs will be turned off and remain off until the emergency shutdown input is no longer present. The first time that the compressor is started after the control exits the emergency shutdown mode, there will be an anti-short cycle delay followed by a random start delay. Input must be tied to common to activate.

**Continuous Blower Operation** - The blower output will be energized any time the control has a G input present, unless the control has an emergency shutdown input present. The blower output will be turned off when G input is removed.

**Load Shed** - The LS input disables all outputs with the exception of the blower output. When the LS input has been cleared, the anti-short cycle timer and random start timer will be initiated. Input must be tied to common to activate.

## Aurora 'Base' Control LED Displays

These three LEDs display the status, configuration, and fault codes for the control. These can also be read in plain English via the Aurora AID Tool.

### Status LED (LED3, Green)

Description of Operation	Fault LED, Green
Normal Mode	ON
Control is Non-functional	OFF
Test Mode	Slow Flash
Lockout Active	Fast Flash
Dehumidification Mode	Flash Code 2
(Future Use)	Flash Code 3
(Future Use)	Flash Code 4
Load Shed	Flash Code 5
Emergency Shutdown	Flash Code 6
Smart Grid	Flash Code 7

### Configuration LED (LED2, Yellow)

Description of Operation	Configuration LED, Yellow
No Software Overwritten	Flashing ECM Setting
DIP Switch was Overwritten	Slow Flash
ECM Configuration Mode	Fast Flash

### Fault LED (LED1, Red)

	Red Fault LED	LED Flash Code*	Lockout	Reset/Remove
ABC Basic Faults	Normal - No Faults	OFF	-	
	Fault - Input	1	No	Auto
	Fault - High Pressure	2	Yes	Hard or Soft
	Fault - Low Pressure	3	Yes	Hard or Soft
	Fault - Freeze Detection FP2	4	Yes	Hard or Soft
	Fault - Freeze Detection FP1	5	Yes	Hard or Soft
	Fault - Condensate Overflow	7	Yes	Hard or Soft
	Fault - Over/Under Voltage	8	No	Auto
	Fault - FP1 Sensor Error	11	Yes	Hard or Soft
Fault - CritComErr	19	NO	Auto	

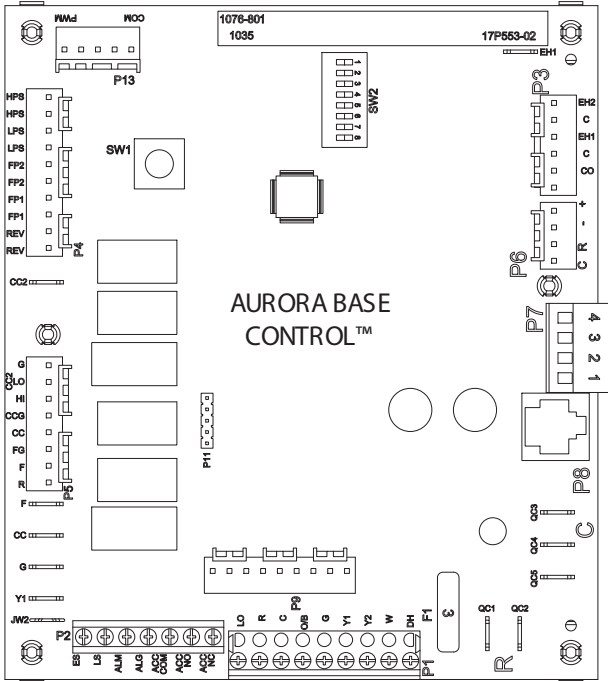
**NOTE:** All codes >11 use long flash for tens digit and short flash for the ones digit. 20, 30, 40, 50, etc. are skipped.

# The Aurora 'Base' Control System cont.



## Aurora Interface and Diagnostics (AID) Tool

The Aurora Interface and Diagnostics (AID) Tool is a device that is a member of the Aurora network. The AID Tool is used to troubleshoot equipment which uses the Aurora control via Modbus RTU communication. The AID Tool provides diagnostics, fault management and system configuration capabilities to the Aurora family of controls. An AID Tool is recommended, although not required. The AID Tool simply plugs into the exterior of the cabinet in the



## The Aurora 'Base' Control System cont.

### Special Modes and Applications

#### 5-Speed ECM Blower Motor

Normally the 5-Speed ECM motor can be driven off of thermostat signals and the ABC connector P9.

Communicating thermostats, however present a special problem in this application since they operate without 24 VAC thermostat signals. The ABC board is wired to operate these systems from the alternate relay output signals CC1, CC2, Fan, and EH1 and should be wired for this.

#### Communicating Digital Thermostats

The Aurora controls system also features either monochromatic or color touch screen graphic display thermostats for user interface. These displays not only feature easy to use graphical interface but display alerts and faults in plain English.

#### Fault LED (LED1, Red)

	Red Fault LED	LED Flash Code *	Lockout	Reset/Remove	Fault Condition Summary
ABC Basic Faults	Normal - No Faults	Off	-		
	Fault-Input	1	No	Auto	Tstat input error. Autoreset upon condition removal.
	Fault-High Pressure	2	Yes	Hard or Soft	HP switch has tripped (>600 psi)
	Fault-Low Pressure	3	Yes	Hard or Soft	Low Pressure Switch has tripped (<40 psi for 30 continuous sec.)
	Fault-Freeze Detection FP2	4	Yes	Hard or Soft	Freeze protection sensor has tripped (<15 or 30 degF for 30 continuous sec.)
	Fault-Freeze Detection FP1	5	Yes	Hard or Soft	Freeze protection sensor has tripped (<15 or 30 degF for 30 continuous sec.)
	Fault-Condensate Overflow	7	Yes	Hard or Soft	Condensate switch has shown continuity for 30 continuous sec.
	Fault-Over/Under Voltage	8	No	Auto	Instantaneous voltage is out of range. **Controls shut down until resolved.
	Fault-FP1	11	Yes	Hard or Soft	If FP1 Sensor Error
	Fault-CritComErr	19	No	Auto	Any critical com error. Auto reset upon condition removal

#### NOTES:

\*All codes >11 use long flash for tens digit and short flash for the ones digit.

'Alert' is a noncritical sensor or function that has failed. Normal operation of the heat pump is maintained but service is desired at some point.

## Operation Logic Data Table

Operation Logic Table	Heating					Cooling		
	STG1	STG2	STG3	EMERG	Fan Only	STG1	STG2	Fan Only
Compressor	On	On	On	Off	Off	On	On	Off
Reversing Valve	Off	Off	Off	Off	Off	On	On	On
Aux Heat	Off	Off	Staged	Staged	Off	Off	Off	Off
Acc Relay	On	On	On	Off	Off	On	On	Off
5 Speed ECM	Med Low	Med High	High	High	Low	Med Low	Med High	Low
T-Stat Signal	Y1	Y1,Y2	Y1,Y2,W	W	G	Y1,O	Y1,Y2,O	G

2/13/2012

## Water Quality

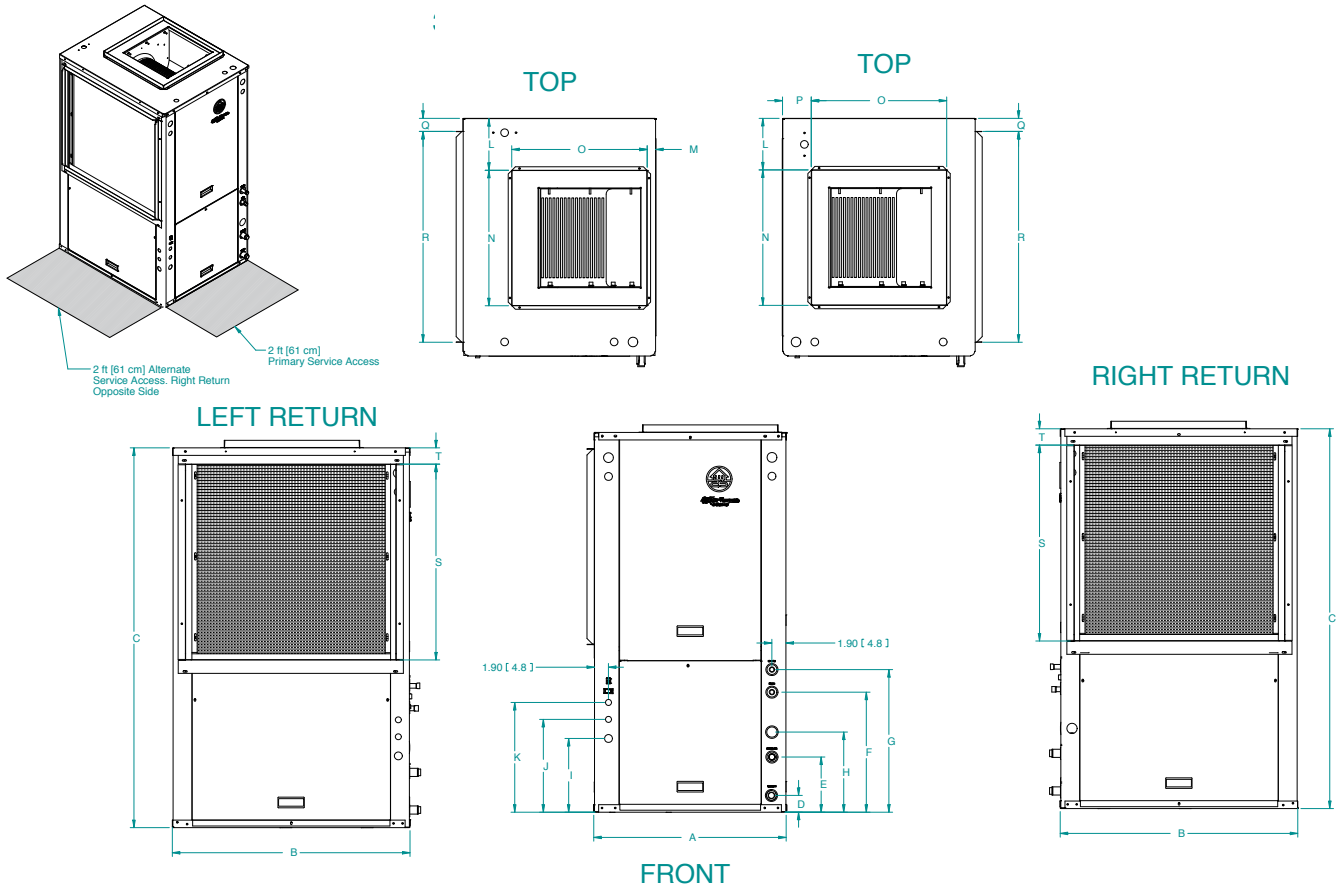
In ground water situations where scaling could be heavy or where biological growth such as iron bacteria will be present, a closed loop system is recommended. The heat exchanger coils in ground water systems may, over a period of time, lose heat exchange capabilities due to a buildup of mineral deposits inside. These can be cleaned, but only by a qualified service mechanic, as special solutions and pumping equipment are required. Hot water generator coils can likewise become scaled and possibly plugged. In areas

with extremely hard water, the owner should be informed that the heat exchanger may require occasional flushing.

Units with cupronickel heat exchangers are recommended for open loop applications due to the increased resistance to build-up and corrosion, along with reduced wear caused by acid cleaning. Failure to adhere to the guidelines in the water quality table could result in the loss of warranty.

Material		Copper	90/10 Cupro-Nickel	316 Stainless Steel
pH	Acidity/Alkalinity	7 - 9	7 - 9	7 - 9
Scaling	Calcium and Magnesium Carbonate	(Total Hardness) less than 350 ppm	(Total Hardness) less than 350 ppm	(Total Hardness) less than 350 ppm
Corrosion	Hydrogen Sulfide	Less than .5 ppm (rotten egg smell appears at 0.5 PPM)	10 - 50 ppm	Less than 1 ppm
	Sulfates	Less than 125 ppm	Less than 125 ppm	Less than 200 ppm
	Chlorine	Less than .5 ppm	Less than .5 ppm	Less than .5 ppm
	Chlorides	Less than 20 ppm	Less than 125 ppm	Less than 300 ppm
	Carbon Dioxide	Less than 50 ppm	10 - 50 ppm	10 - 50 ppm
	Ammonia	Less than 2 ppm	Less than 2 ppm	Less than 20 ppm
	Ammonia Chloride	Less than .5 ppm	Less than .5 ppm	Less than .5 ppm
	Ammonia Nitrate	Less than .5 ppm	Less than .5 ppm	Less than .5 ppm
	Ammonia Hydroxide	Less than .5 ppm	Less than .5 ppm	Less than .5 ppm
	Ammonia Sulfate	Less than .5 ppm	Less than .5 ppm	Less than .5 ppm
	Total Dissolved Solids (TDS)	Less than 1000 ppm	1000-1500 ppm	1000-1500 ppm
LSI Index	*0.5 to *.05	*0.5 to *.05	*0.5 to *.05	
Iron Fouling	Iron, Fe <sup>2+</sup> (Ferrous) Bacterial Iron Potential	< .2ppm	< .2 ppm	< .2 ppm
(Biological Growth)	Iron Oxide	Less than 1 ppm. Above this level deposition will occur.	Less than 1 ppm. Above this level deposition will occur.	Less than 1 ppm. Above this level deposition will occur.
Erosion	Suspended Solids	Less than 10 ppm and filtered for max of 600 micron size	Less than 10 ppm and filtered for max of 600 micron size	Less than 10 ppm and filtered for max of 600 micron size
	Threshold Velocity (Fresh Water)	< 6 ft/sec	< 6 ft/sec	<6 ft/sec

# Vertical Dimensional Data



Vertical Top Flow Model	Overall Cabinet			Water Connections								Electrical Connections			Discharge Connection					Return Connection			
	A	B	C	D	E	F	G	H	Loop Water FPT	HWG Sweat (I.D.)	I 3/4" cond	J 1/2" cond	K 1/2" cond	Duct Flange Installed					Return Duct Flanges				
														L	M	N	O	P	Q	R	S	T	
024	in.	22.5	26.5	39.4	2.3	5.3	13.4	16.4	9.6	1"	1/2"	8.9	11.4	13.7	6.3	0.7	14.0	14.0	2.7	2.3	22.0	18.0	1.8
	cm.	57.2	67.3	100.1	5.8	13.5	34.0	41.7	24.4	Swivel	female	22.6	29.0	34.8	16.0	1.8	35.6	35.6	6.9	5.8	55.9	45.7	4.6
036	in.	22.5	26.5	44.5	2.0	7.0	13.5	16.5	10.2	1"	1/2"	9.5	12.1	14.3	6.1	0.8	14.0	14.0	4.4	2.4	22.0	22.0	2.0
	cm.	57.2	67.3	113.0	5.1	17.8	34.3	41.9	25.9	Swivel	female	24.1	30.7	36.3	15.5	2.0	35.6	35.6	11.2	6.1	55.9	55.9	5.1
048-060	in.	25.6	31.6	50.4	2.3	7.3	15.9	18.9	10.6	1"	1/2"	9.8	12.3	14.6	6.9	1.1	18.0	18.0	3.8	1.7	28.0	26.0	1.7
	cm.	65.0	80.3	128.0	5.8	18.5	40.4	48.0	26.9	Swivel	female	24.9	31.2	37.1	17.5	2.8	45.7	45.7	9.7	4.3	71.1	66.0	4.3
072	in.	25.6	31.6	54.4	2.3	7.3	15.9	18.9	10.6	1"	1/2"	9.8	12.3	14.6	6.9	1.1	18.0	18.0	3.8	1.7	28.1	30.0	2.2
	cm.	65.0	80.3	138.2	5.8	18.5	40.4	48.0	26.9	Swivel	female	24.9	31.2	37.1	17.5	2.8	45.7	45.7	9.7	4.3	71.4	76.2	5.6

Condensate is 3/4" PVC female glue socket and is switchable from side to front  
Unit shipped with 1" [25.4mm] return duct flanges and are suitable for duct connection.

7/17/14

Discharge flange is field installed and extends 1" [25.4mm] from cabinet

Water connections extend 1.2" [30.5mm] beyond front of cabinet.

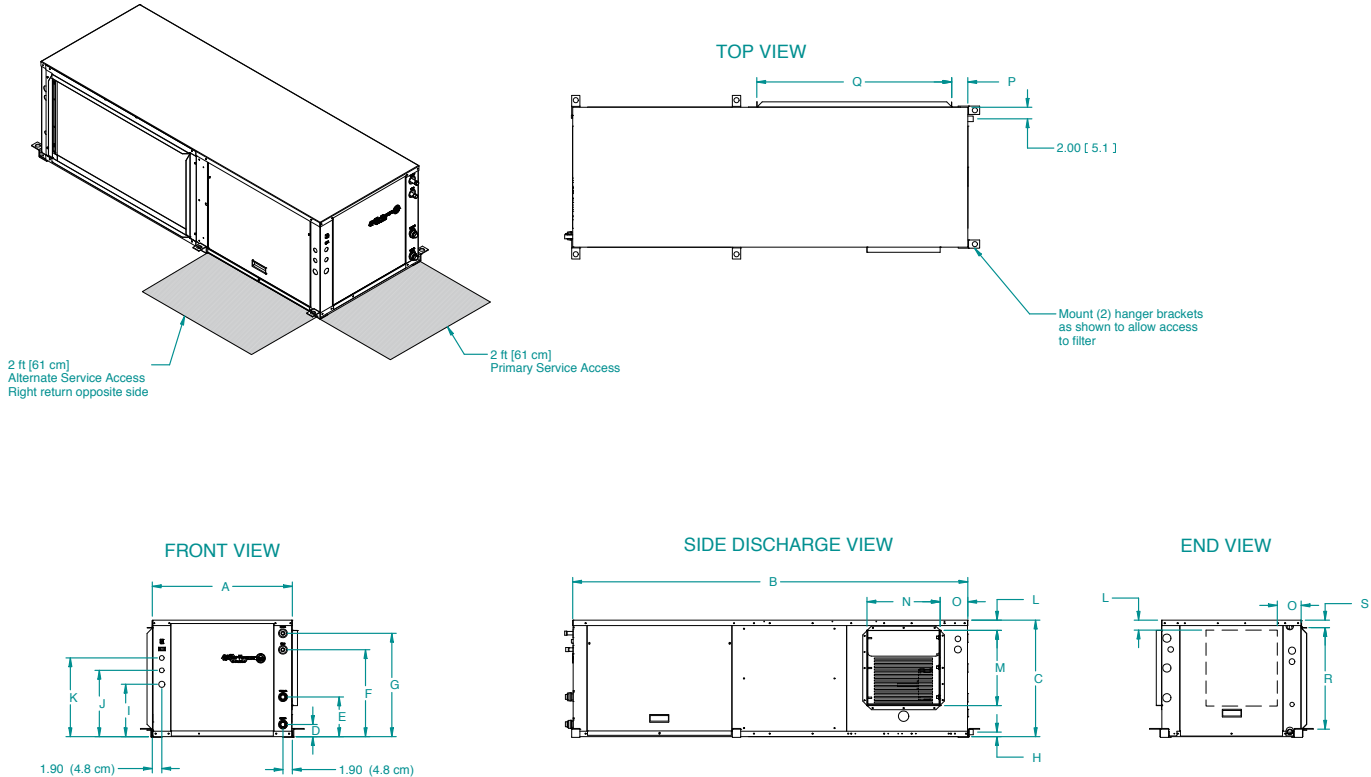
The optional 1" filter rack (not shown) has the same return opening connection size as the duct flanges shown in the drawing. The filter rack extends 2.25" (57.1 mm) from the unit.

The optional 1" filter rack is suitable for duct connection.

The optional filter rails (not shown) extend 1.25" (31.75 mm) from cabinet.



# Horizontal Dimensional Data



Horizontal Model	Overall Cabinet			Water Connections							Electrical Connections			Discharge Connection				Return Connection				
	A	B	C	D	E	F	G	H	Loop Water FPT	HWG Sweat (I.D.)	I	J	K	Duct Flange Installed				Return Duct Flanges				
	Width	Depth	Height	In	Out	HWG In	HWG Out	Condensate			3/4" cond	1/2" cond	1/2" cond	L*	M	N	O*	P	Q	R	S	
024	in.	22.5	53.0	19.3	2.3	5.3	13.8	16.8	0.8	1"	1/2"	8.9	11.5	13.7	1.7	10.5	9.5	8.2	2.2	21.8	16.5	1.5
	cm.	57.2	134.6	49.0	5.8	13.5	35.1	42.7	2.0	Swivel	female	22.6	29.2	34.8	4.3	26.7	24.1	20.8	5.6	55.4	41.9	3.8
036	in.	22.5	63.0	19.3	2.3	7.3	13.5	16.5	0.8	1"	1/2"	9.5	12.1	14.3	2.3	10.5	9.5	5.7	2.8	30.5	16.7	1.3
	cm.	57.2	160.0	49.0	5.8	18.5	34.3	41.9	2.0	Swivel	female	24.1	30.7	36.3	5.8	26.7	24.1	14.5	7.1	77.5	42.4	3.3
048-060	in.	25.6	72.0	21.3	2.3	7.3	15.9	18.9	0.8	1"	1/2"	9.5	12.1	14.3	1.9	13.6	13.2	5.0	2.9	35.5	18.6	1.3
	cm.	65.0	182.9	54.1	5.8	18.5	40.4	48.0	2.0	Swivel	female	24.1	30.7	36.3	4.8	34.5	33.5	12.7	7.4	90.2	47.2	3.3
072	in.	25.6	77.0	21.3	2.3	7.3	15.9	18.9	0.8	1"	1/2"	9.5	12.1	14.3	1.9	13.6	13.2	5.0	2.8	40.4	18.7	1.5
	cm.	65.0	195.6	54.1	5.8	18.5	40.4	48.0	2.0	Swivel	female	24.1	30.7	36.3	4.8	34.5	33.5	12.7	7.1	102.6	47.5	3.8

\* Dimensions shown are for left return side discharge other configurations shown in tables below  
 Condensate is 3/4" PVC female glue socket and is switchable from side to front  
 Unit shipped with 1" [25.4mm] return duct flanges suitable for duct connection.  
 Discharge flange is field installed and extends 1" [25.4mm] from cabinet  
 Water connections extend 1.2" [30.5mm] beyond front of cabinet.  
 The optional 1" filter rack (not shown) has the same return opening connection size as the duct flanges shown in the drawing. The filter rack extends 2.25"(57.1 mm) from the unit.  
 The optional 1" filter rack is suitable for duct connection.  
 The optional filter rails (not shown) extend 1.25" (31.75 mm) from cabinet.  
 The 024 model is not field convertible changing from end to side discharge. It requires an additional discharge panel (not supplied).

024 model			L	O	036 model			L	O	048-060 model			L	O	072 model			L	O
Right Return End Discharge	in		2.2	5.7	Right Return End Discharge	in		6.5	6.6	Right Return End Discharge	in		1.9	5.0	Right Return End Discharge	in		1.9	5.0
	cm		5.6	14.5		cm		16.5	16.8		cm		4.8	12.7		cm		4.8	12.7
Right Return Side Discharge	in		6.9	8.3	Right Return Side Discharge	in		2.3	5.7	Right Return Side Discharge	in		5.7	5.0	Right Return Side Discharge	in		5.7	5.0
	cm		17.5	21.1		cm		5.8	14.5		cm		14.5	12.7		cm		14.5	12.7
Left Return End Discharge	in		6.5	7.3	Left Return End Discharge	in		6.5	6.6	Left Return End Discharge	in		5.7	4.9	Left Return End Discharge	in		5.7	5.0
	cm		16.5	18.5		cm		16.5	16.8		cm		14.5	12.4		cm		14.5	12.7

## Physical Data

Model		Dual Capacity				
		024	036	048	060	072
Compressor (1 each)		Copeland Ultra Tech, Dual Capacity Scroll				
Factory Charge R410a, oz [kg]	Vertical	39 [1.05]	52 [1.47]	68 [1.93]	76 [2.15]	88 [2.49]
Factory Charge R410a, oz [kg]	Horizontal	38 [1.08]	52 [1.47]	68 [1.93]	72 [2.04]	85 [2.41]
<b>ECM Blower Motor &amp; Blower</b>						
Blower Motor Type/Speeds	ECM	5 Speed ECM				
Blower Motor- hp [W]	ECM	1/2 [373]	1/2 [373]	1 [746]	1 [746]	1 [746]
Blower Wheel Size (Dia x W), in. [mm]	ECM	9 x 7 [229 x 178]	9 x 7 [229 x 178]	11 x 10 [279 x 254]	11 x 10 [279 x 254]	11 x 10 [279 x 254]
<b>Coax and Water Piping</b>						
Water Connections Size - Swivel - in [mm]		1" [25.4]	1" [25.4]	1" [25.4]	1" [25.4]	1" [25.4]
HWG Connection Size - Female Sweat I.D. - in [mm]		1/2" [12.7]	1/2" [12.7]	1/2" [12.7]	1/2" [12.7]	1/2" [12.7]
Coax & Piping Water Volume - gal [l]		.35 [1.3]	.7 [2.6]	.7 [2.6]	1.3 [4.9]	1.6 [6.1]
<b>Vertical</b>						
Air Coil Dimensions (H x W), in. [mm]		19 x 20 [483 x 508]	24 x 20 [610 x 508]	28 x 25 [711 x 635]	28 x 25 [711 x 635]	32 x 25 [813 x 635]
Air Coil Total Face Area, ft <sup>2</sup> [m <sup>2</sup> ]		2.6 [0.245]	3.3 [0.310]	4.9 [0.452]	4.9 [0.452]	5.6 [0.516]
Air Coil Tube Size, in [mm]		3/8 [9.5]	3/8 [9.5]	3/8 [9.5]	3/8 [9.5]	3/8 [9.5]
Air Coil Number of rows		3	3	3	3	3
Optional Filter - 1" [25mm] Pleated MERV8 Throwaway, in [mm]		20 x 24 [508 x 610]	20 x 24 [508 x 610]	28 x 30 [711 x 762]	28 x 30 [711 x 762]	30 x 32 [762 x 813]
Weight - Operating, lb [kg]		198 [90]	221 [100]	303 [137]	329 [149]	350 [159]
Weight - Packaged, lb [kg]		218 [99]	241 [109]	323 [147]	349 [158]	370 [168]
<b>Horizontal</b>						
Air Coil Dimensions (H x W), in. [mm]		18 x 21 [457 x 533]	18 x 27 [457 x 686]	20 x 35 [508 x 889]	20 x 35 [508 x 889]	20 x 40 [508 x 1016]
Air Coil Total Face Area, ft <sup>2</sup> [m <sup>2</sup> ]		2.6 [0.244]	3.4 [0.314]	4.9 [0.452]	4.9 [0.452]	5.6 [0.516]
Air Coil Tube Size, in [mm]		3/8 [9.5]	3/8 [9.5]	3/8 [9.5]	3/8 [9.5]	3/8 [9.5]
Air Coil Number of rows		3	3	3	3	3
Optional Filter - 1" [25mm] Pleated MERV8 Throwaway, in [mm]		1 - 18 x 24 [457 x 610]	1 - 20 x 32 [508 x 813]	1 - 20 x 37 [508 x 940]	1 - 20 x 37 [508 x 940]	1 - 20 x 20 [508 x 508] 1 - 20 x 22 [508 x 559]
Weight - Operating, lb [kg]		228 [103]	250 [113]	325 [147]	358 [162]	369 [167]
Weight - Packaged, lb [kg]		248 [112]	270 [122]	345 [156]	378 [171]	389 [176]

9/11/2014

## Auxiliary Heat Ratings

Model	KW		Stages	BTU/HR		Min CFM			
	208V	230V		208V	230V		024	036	048 - 072
EAM(H)5A	3.6	4.8	1	12,300	16,300	450	●	●	
EAM(H)8A	5.7	7.6	2	19,400	25,900	550	●	●	
EAM(H)10A	7.2	9.6	2	24,600	32,700	650	●	●	
EAL(H)10A	7.2	9.6	2	24,600	32,700	1100			●
EAL(H)15A	10.8	14.4	2	36,900	49,100	1250			●
EAL(H)20A	14.4	19.2	2	49,200	65,500	1500			●

Order the "H" part number when installed on horizontal and vertical rear discharge units  
Air flow level for auxiliary heat (Aux) must be equal to or above the minimum CFM in this table

6/9/2014

## Auxiliary Heat Electrical Data

Model	Supply Circuit	Heater Amps		Min Circuit Amp		Fuse (USA)		Fuse (CAN)		CKT BRK	
		208 V	240 V	208 V	240 V	208 V	240 V	208 V	240 V	208 V	240 V
EAM(H)5A	Single	17.3	20.0	26.7	30.0	30	30	30	30	30	30
EAM(H)8A	Single	27.5	31.7	39.3	44.6	40	45	40	45	40	45
EAM(H)10A	Single	34.7	40.0	48.3	55.0	50	60	50	60	50	60
EAL(H)10A	Single	34.7	40.0	53.3	60.0	60	60	60	60	60	60
EAL(H)15A	Single	52.0	60.0	75.0	85.0	80	90	80	90	70	100
	L1/L2	34.7	40.0	53.3	60.0	60	60	60	60	60	60
	L3/L4	17.3	20.0	21.7	25.0	25	25	25	25	20	30
EAL(H)20A	Single	69.3	80.0	96.7	110.0	100	110	100	110	100	100
	L1/L2	34.7	40.0	53.3	60.0	60	60	60	60	60	60
	L3/L4	34.7	40.0	43.3	50.0	45	50	45	50	40	50

All heaters rated single phase 60 cycle and include unit fan load  
All fuses type "D" time delay (or HACR circuit breaker in USA)  
Supply wire size to be determined by local codes

3/10/14

## Electrical Data

### Dual Capacity Unit with 5 Speed ECM Motor

Model	Rated Voltage	Voltage Min/Max	Compressor				HWG Pump FLA	Ext Loop FLA	Blower Motor FLA	Total Unit FLA	Min Circ Amp	Max Fuse/HACR
			MCC	RLA	LRA	LRA**						
024	208-230/60/1	187/253	18.2	11.6	58.3	21.0	0.4	5.4	4.1	21.5	24.5	35
036	208-230/60/1	187/253	23.8	15.2	83.0	30.0	0.4	5.4	4.1	25.1	28.9	40
048	208-230/60/1	187/253	33.0	21.1	104.0	37.0	0.4	5.4	7.6	34.5	39.8	60
060	208-230/60/1	187/253	42.3	27.1	152.9	54.0	0.4	5.4	7.6	40.5	47.2	70
072	208-230/60/1	187/253	46.3	29.6	179.2	63.0	0.4	5.4	7.6	43.0	50.4	80

\*\*With optional IntelliStart  
Rated Voltage of 208/230/60/1  
HACR circuit breaker in USA only  
All fuses Class RK-5

6/9/14

## Blower Performance Data

---

### 5-Speed ECM Constant Torque Motors

The 5-Speed ECM is a 'Constant Torque' ECM motor and delivers air flow similar to a PSC but operates as efficiently as an ECM Motor. Because it's an ECM Motor, the 5-Speed ECM can ramp slowly up or down like the ECM motor. There are 5 possible speed taps available on the 5-Speed ECM motor with #1 being the lowest airflow and #5 being the highest airflow. These speed selections are preset at the time of manufacture and are easily changed in the field if necessary.

If more than one tap are energized at the same time, built in logic gives precedence to the highest tap number and allows air flow to change with G, Y1, Y2 and W signals or with Fan, CC, CC2, and E1 output signals. Each of those 5 speeds has a specific 'Torque' value programmed into

the motor for each speed selection. As static pressure increases, airflow decreases resulting in less torque on the rotor. The motor responds only to changes in torque and adjusts its speed accordingly.

The 5-Speed ECM motor is powered by line voltage but the motor speed is energized by 24 VAC.

#### **5-Speed ECM Benefits:**

- High efficiency
- Soft start
- 5 speeds with up to 4 speeds on-line
- Built in logic allows air flow to change with G, Y1, Y2 and W signals
- Super efficient low airflow continuous blower setting (G)

# Blower Performance Data cont.

## 3 Series Dual Capacity with 5-Speed ECM

Model	Motor Speed	Motor Tap	T'stat Cnct.	Blower Size	Motor HP	Airflow (cfm) at External Static Pressure (in. wg)															
						0	0.05	0.1	0.15	0.2	0.25	0.3	0.35	0.4	0.45	0.5	0.6	0.7	0.8	0.9	1.00
024	<b>High</b>	<b>5</b>	W	9 x 7	1/2	1024	1013	1002	988	974	963	951	940	929	901	872	785	691	-	-	-
	<b>Med High</b>	<b>4</b>	Y2			932	917	902	892	882	867	851	842	832	817	802	756	661	-	-	-
	Med	3				835	826	816	801	785	772	759	749	738	719	700	677	636	-	-	-
	<b>Med Low</b>	<b>2</b>	Y1			765	747	729	720	710	696	681	662	643	627	611	581	515	-	-	-
	<b>Low</b>	<b>1</b>	G			665	656	647	626	605	593	580	561	541	519	496	443	392	-	-	-
036	<b>High</b>	<b>5</b>	W	9 x 7	1/2	1325	1319	1313	1293	1272	1242	1212	1158	1103	1058	1013	930	839	-	-	-
	<b>Med High</b>	<b>4</b>	Y2			1279	1267	1254	1238	1222	1203	1184	1137	1089	1049	1008	926	836	-	-	-
	Med	3				1229	1218	1206	1187	1167	1154	1140	1110	1079	1044	1008	929	829	-	-	-
	<b>Med Low</b>	<b>2</b>	Y1			1201	1184	1167	1156	1145	1129	1113	1086	1058	1028	997	914	808	-	-	-
	<b>Low</b>	<b>1</b>	G			1007	989	971	958	945	925	904	889	873	862	850	818	778	-	-	-
048	<b>High</b>	<b>5</b>	W	11 x 10	1	1890	1874	1857	1845	1833	1809	1784	1769	1754	1736	1718	1672	1629	1601	1562	1522
	<b>Med High</b>	<b>4</b>	Y2			1769	1754	1739	1721	1703	1685	1666	1645	1623	1604	1585	1539	1499	1463	1432	1376
	Med	3				1671	1652	1632	1614	1595	1576	1557	1536	1514	1494	1474	1430	1387	1351	1313	1173
	<b>Med Low</b>	<b>2</b>	Y1			1574	1555	1535	1514	1492	1472	1452	1431	1410	1387	1363	1330	1284	1236	1108	1014
	<b>Low</b>	<b>1</b>	G			1388	1370	1352	1322	1292	1264	1236	1216	1195	1178	1161	1095	984	916	842	787
060	<b>High</b>	<b>5</b>	W	11 x 10	1	2077	2066	2055	2044	2033	2017	2000	1966	1931	1904	1877	1841	1810	1791	1740	1653
	<b>Med High</b>	<b>4</b>	Y2			1948	1937	1925	1910	1895	1880	1865	1831	1797	1778	1759	1720	1707	1680	1660	1612
	Med	3				1810	1794	1778	1739	1700	1684	1667	1657	1646	1629	1612	1576	1583	1547	1510	1480
	<b>Med Low</b>	<b>2</b>	Y1			1680	1667	1653	1618	1583	1562	1540	1522	1503	1488	1473	1465	1449	1410	1369	1319
	<b>Low</b>	<b>1</b>	G			1594	1572	1550	1512	1474	1450	1426	1410	1393	1385	1376	1351	1325	1290	1168	1085
072	<b>High</b>	<b>5</b>	W	11 x 10	1	2402	2388	2373	2358	2343	2334	2325	2307	2289	2274	2258	2215	2177	2125	2052	1933
	<b>Med High</b>	<b>4</b>	Y2			2209	2193	2177	2164	2151	2135	2118	2105	2092	2072	2052	2017	1982	1954	1925	1844
	Med	3				2085	2072	2058	2045	2031	2010	1989	1972	1954	1936	1918	1881	1852	1821	1790	1751
	<b>Med Low</b>	<b>2</b>	Y1			1961	1951	1940	1926	1911	1885	1859	1844	1829	1814	1798	1759	1727	1703	1670	1636
	<b>Low</b>	<b>1</b>	G			1767	1751	1735	1715	1694	1678	1661	1640	1619	1602	1584	1548	1512	1475	1426	1397

Factory speed settings are in Bold

Air flow values are with dry coil and standard filter

For wet coil performance first calculate the face velocity of the air coil (Face Velocity [fpm] = Airflow [cfm] / Face Area [sq ft]).

Then for velocities of 200 fpm reduce the static capability by 0.03 in. wg, 300 fpm by 0.08 in. wg, 400 fpm by 0.12 in. wg., and 500 fpm by 0.16 in. wg. Highest setting is for auxiliary heat (W) and lowest setting is for constant blower (G). The "Y1" and "Y2" settings must be between the "G" and "W" settings.

7/30/14

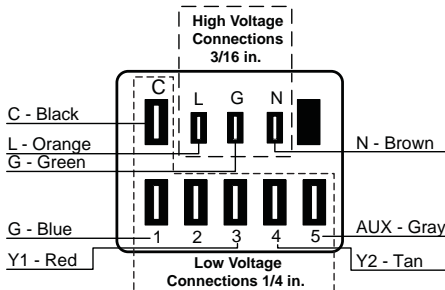
## Setting Blower Speed - 5-Speed ECM

5-Speed ECM blower motors have five (5) speeds of which four (4) are selectable on dual capacity.



**CAUTION: Disconnect all power before performing this operation.**

### 5-Speed ECM Motor Connections - Dual Capacity





## Reference Calculations

Heating Calculations:	Cooling Calculations:
$LWT = EWT - \frac{HE}{gpm \times 500}$	$LWT = EWT + \frac{HR}{gpm \times 500}$
$LAT = EAT + \frac{HC}{cfm \times 1.08}$	$LAT (DB) = EAT (DB) - \frac{SC}{cfm \times 1.08}$
$TH = HC + HW$	$LC = TC - SC$
	$S/T = \frac{SC}{TC}$

## Legend and Notes

### Abbreviations and Definitions

cfm = airflow, cubic feet/minute  
 EWT = entering water temperature, Fahrenheit  
 gpm = water flow in gallons/minute  
 WPD = water pressure drop, psi and feet of water  
 EAT = entering air temperature, Fahrenheit (dry bulb/wet bulb)  
 HC = air heating capacity, MBtu/h  
 TC = total cooling capacity, MBtu/h  
 SC = sensible cooling capacity, MBtu/h  
 kW = total power unit input, kilowatts  
 HR = total heat of rejection, MBtu/h  
 HE = total heat of extraction, MBtu/h

HWC = hot water generator capacity, MBtu/h  
 EER = Energy Efficient Ratio  
 = Btu output/Watt input  
 COP = Coefficient of Performance  
 = Btu output/Btu input  
 LWT = leaving water temperature, °F  
 LAT = leaving air temperature, °F  
 TH = total heating capacity, MBtu/h  
 LC = latent cooling capacity, MBtu/h  
 S/T = sensible to total cooling ratio

### Notes to Performance Data Tables

The following notes apply to all performance data tables:

- Performance ratings are based on 80°F DB/67°F WB EAT for cooling and 70°F DB EAT for heating.
- Three flow rates are shown for each unit. The lowest flow rate shown is used for geothermal open loop/well water systems with a minimum of 50°F EWT. The middle flow rate shown is the minimum geothermal closed loop flow rate. The highest flow rate shown is optimum for geothermal closed loop systems and the suggested flow rate for boiler/tower applications.
- The hot water generator numbers are based on a flow rate of 0.4 gpm/ton of rated capacity with an EWT of 90°F.
- Entering water temperatures below 40°F assumes 15% antifreeze solution.
- For non-standard EAT conditions, apply the appropriate Correction Factor tables.
- Interpolation between EWT, gpm, and cfm data is permissible, extrapolation is not.

## Operating Limits

Operating Limits	Cooling		Heating	
	(°F)	(°C)	(°F)	(°C)
<b>Air Limits</b>				
Min. Ambient Air	45	7.2	45	7.2
Rated Ambient Air	80	26.7	70	21.1
Max. Ambient Air	100	37.8	85	29.4
Min. Entering Air	50	10.0	40	4.4
Rated Entering Air db/wb	80.6/66.2	27/19	68	20.0
Max. Entering Air db/wb	110/83	43/28.3	80	26.7
<b>Water Limits</b>				
Min. Entering Water	30	-1.1	20	-6.7
Normal Entering Water	50-110	10-43.3	30-70	-1.1
Max. Entering Water	120	48.9	90	32.2

Notes: Minimum/maximum limits are only for start-up conditions, and are meant for bringing the space up to occupancy temperature. Units are not designed to operate at the minimum/maximum conditions on a regular basis. The operating limits are dependent upon three primary factors: 1) water temperature, 2) return air temperature, and 3) ambient temperature. When any of the factors are at the minimum or maximum levels, the other two factors must be at the normal level for proper and reliable unit operation.

## Antifreeze Corrections

Catalog performance can be corrected for antifreeze use. Please use the following table and note the example given.

Antifreeze Type EWT - °F [°C]	Antifreeze % by wt	Heating 30 [-1.1]	Cooling 90 [32.2]	Pressure Drop 30 [-1.1]
<b>Water</b>	0	1.000	1.000	1.000
<b>Ethylene Glycol</b>	10	0.973	0.991	1.075
	20	0.943	0.979	1.163
	30	0.917	0.965	1.225
	40	0.890	0.955	1.324
	50	0.865	0.943	1.419
<b>Propylene Glycol</b>	10	0.958	0.981	1.130
	20	0.913	0.969	1.270
	30	0.854	0.950	1.433
	40	0.813	0.937	1.614
	50	0.770	0.922	1.816
<b>Ethanol</b>	10	0.927	0.991	1.242
	20	0.887	0.972	1.343
	30	0.856	0.947	1.383
	40	0.815	0.930	1.523
	50	0.779	0.911	1.639
<b>Methanol</b>	10	0.957	0.986	1.127
	20	0.924	0.970	1.197
	30	0.895	0.951	1.235
	40	0.863	0.936	1.323
	50	0.833	0.920	1.399



**WARNING:** Gray area represents antifreeze concentrations greater than 35% by weight and should be avoided due to the extreme performance penalty they represent.

### Antifreeze Correction Example

Antifreeze solution is Propylene Glycol 20% by weight. Determine the corrected heating and cooling performance at 30°F and 90°F respectively as well as pressure drop at 30°F for a 036.

The corrected cooling capacity at 90°F would be: 34,800 MBtu/h x 0.969 = 33,721 MBtu/h

The corrected heating capacity at 30°F would be: 29,300 MBtu/h x 0.913 = 26,750 MBtu/h

The corrected pressure drop at 30°F and 9 gpm would be: 13.4 feet of head x 1.270 = 17.02 feet of head

## Correction Factor Tables

### Air Flow Corrections (Dual Capacity Part Load)

Airflow		Cooling				Heating		
cfm Per Ton of Clg	% of Nominal	Total Cap	Sens Cap	Power	Heat of Rej	Htg Cap	Power	Heat of Ext
240	60	0.922	0.778	0.956	0.924	0.943	1.239	0.879
275	69	0.944	0.830	0.962	0.944	0.958	1.161	0.914
300	75	0.957	0.866	0.968	0.958	0.968	1.115	0.937
325	81	0.970	0.900	0.974	0.970	0.977	1.075	0.956
350	88	0.982	0.933	0.981	0.980	0.985	1.042	0.972
375	94	0.991	0.968	0.991	0.991	0.993	1.018	0.988
<b>400</b>	<b>100</b>	<b>1.000</b>	<b>1.000</b>	<b>1.000</b>	<b>1.000</b>	<b>1.000</b>	<b>1.000</b>	<b>1.000</b>
425	106	1.007	1.033	1.011	1.008	1.007	0.990	1.010
450	113	1.013	1.065	1.023	1.015	1.012	0.987	1.018
475	119	1.017	1.099	1.037	1.022	1.018	0.984	1.025
500	125	1.020	1.132	1.052	1.027	1.022	0.982	1.031
520	130	1.022	1.159	1.064	1.030	1.025	0.979	1.034

5/30/06

### Air Flow Corrections (Dual Capacity Full Load and Single Speed)

Airflow		Cooling				Heating		
cfm Per Ton of Clg	% of Nominal	Total Cap	Sens Cap	Power	Heat of Rej	Htg Cap	Power	Heat of Ext
240	60	0.922	0.786	0.910	0.920	0.943	1.150	0.893
275	69	0.944	0.827	0.924	0.940	0.958	1.105	0.922
300	75	0.959	0.860	0.937	0.955	0.968	1.078	0.942
325	81	0.971	0.894	0.950	0.967	0.977	1.053	0.959
350	88	0.982	0.929	0.964	0.978	0.985	1.031	0.973
375	94	0.992	0.965	0.982	0.990	0.993	1.014	0.988
<b>400</b>	<b>100</b>	<b>1.000</b>	<b>1.000</b>	<b>1.000</b>	<b>1.000</b>	<b>1.000</b>	<b>1.000</b>	<b>1.000</b>
425	106	1.007	1.034	1.020	1.010	1.007	0.990	1.011
450	113	1.012	1.065	1.042	1.018	1.013	0.983	1.020
475	119	1.017	1.093	1.066	1.026	1.018	0.980	1.028
500	125	1.019	1.117	1.092	1.033	1.023	0.978	1.034
520	130	1.020	1.132	1.113	1.038	1.026	0.975	1.038

### Cooling Capacity Corrections

Entering Air WB °F	Total Clg Cap	Sensible Cooling Capacity Multipliers - Entering DB °F										Power Input	Heat of Rejection
		60	65	70	75	80	80.6	85	90	95	100		
55	0.898	0.723	0.866	1.048	1.185	*	*	*	*	*	*	0.985	0.913
60	0.912		0.632	0.880	1.078	1.244	1.260	*	*	*	*	0.994	0.927
63	0.945			0.768	0.960	1.150	1.175	*	*	*	*	0.996	0.954
65	0.976			0.694	0.881	1.079	1.085	1.270	*	*	*	0.997	0.972
66.2	0.983			0.655	0.842	1.040	1.060	1.232	*	*	*	0.999	0.986
<b>67</b>	<b>1.000</b>			0.616	0.806	<b>1.000</b>	1.023	1.193	1.330	1.480	*	<b>1.000</b>	<b>1.000</b>
70	1.053				0.693	0.879	0.900	1.075	1.205	1.404	*	1.003	1.044
75	1.168					0.687	0.715	0.875	1.040	1.261	1.476	1.007	1.141

NOTE: \* Sensible capacity equals total capacity at conditions shown.

3/28/12

### Heating Capacity Corrections

Ent Air DB °F	Heating Corrections		
	Htg Cap	Power	Heat of Ext
45	1.062	0.739	1.158
50	1.050	0.790	1.130
55	1.037	0.842	1.096
60	1.025	0.893	1.064
65	1.012	0.945	1.030
68	1.005	0.976	1.012
<b>70</b>	<b>1.000</b>	<b>1.000</b>	<b>1.000</b>
75	0.987	1.048	0.970
80	0.975	1.099	0.930

11/10/09

# Pressure Drop

Model	GPM	Pressure Drop (psi)				
		30°F	50°F	70°F	90°F	110°F
<b>024 Full Load</b>	4	2.3	2.1	2.0	1.9	1.7
	6	4.5	4.3	4.0	3.7	3.5
	8	7.5	7	6.6	6.1	5.7
	10	10.5	9.7	9.9	8.5	7.9
<b>024 Part Load</b>	3	1.5	1.4	1.3	1.2	1.1
	5	3.3	3.1	2.9	2.7	2.5
	7	5.9	5.6	5.2	4.8	4.5
	9	8.5	8.1	8.2	6.9	6.5
<b>036 Full Load</b>	5	1.9	1.8	1.7	1.6	1.5
	7	3.6	3.4	3.2	3	2.9
	9	5.8	5.4	5.1	4.8	4.6
	11	8	7.4	7.4	6.6	6.3
<b>036 Part Load</b>	4	1.4	1.3	1.2	1.2	1
	6	2.7	2.6	2.4	2.3	2.1
	8	4.7	4.4	4.1	4	3.5
	10	6.7	6.2	6.2	5.7	4.9
<b>048 Full Load</b>	6	1.7	1.6	1.5	1.4	1.3
	9	3.9	3.6	3.4	3.2	3.1
	12	7	6.6	6.2	5.8	5.6
	15	10.1	9.6	9.8	8.4	8.1
<b>048 Part Load</b>	5	1.1	1.1	1.0	0.9	0.9
	8	3.1	2.9	2.7	2.5	2.3
	11	5.9	5.6	5.2	4.8	4.5
	14	8.7	8.3	8.5	7.1	6.7
<b>060 Full Load</b>	8	2.8	2.7	2.5	2.3	2.2
	12	5.8	5.4	5.1	4.8	4.4
	16	9.8	9.2	8.6	8	7.4
	20	13.8	13.0	13.0	11.2	10.4
<b>060 Part Load</b>	6	1.7	1.6	1.5	1.4	1.3
	10	4.2	4	3.7	3.4	3.2
	14	7.6	7.2	6.7	6.2	5.8
	18	11.0	10.4	10.7	9	8.4
<b>072 Full Load</b>	12	3.8	3.6	3.4	3.1	2.9
	15	5.7	5.3	5.0	4.7	4.3
	18	7.8	7.4	6.9	6.4	6
	21	9.9	9.5	9.1	8.1	7.7
<b>072 Part Load</b>	10	2.8	2.7	2.5	2.3	2.2
	13	4.4	4.2	3.9	3.6	3.4
	16	6.4	6	5.6	5.2	4.8
	19	8.4	7.8	7.6	6.8	6.2

7/18/14

# Performance Data cont.

## 024 - Full Load Dual Capacity with 5-Speed ECM (800 cfm)

EWT °F	Flow gpm	WPD		HEATING - EAT 70°F							COOLING - EAT 80/67 °F										
		PSI	FT	Airflow cfm	HC Mbtu/h	Power kW	HE Mbtu/h	LAT °F	COP	HWC Mbtu/h	Airflow cfm	TC Mbtu/h	SC Mbtu/h	S/T Ratio	Power kW	HR Mbtu/h	EER	HWC Mbtu/h			
20	4.0	2.3	5.4	Operation not recommended							Operation not recommended										
	6.0	4.7	10.8	Operation not recommended							Operation not recommended										
	8.0	7.7	17.8	600	16.0	1.47	10.9	94.6	3.19	2.1	800	16.5	1.51	11.3	89.1	3.19	2.0				
30	4.0	2.3	5.3	Operation not recommended							Operation not recommended										
	6.0	4.5	10.5	600	18.3	1.51	13.2	98.3	3.56	2.3	600	24.7	17.0	0.69	1.00	28.1	24.7	-			
				800	18.9	1.56	13.5	91.8	3.55	2.1	800	25.1	18.6	0.74	1.05	28.7	23.8	-			
	8.0	7.5	17.3	600	18.6	1.52	13.4	98.8	3.58	2.3	600	24.8	17.0	0.69	0.97	28.1	25.6	-			
800				19.2	1.57	13.9	92.3	3.59	2.2	800	25.4	18.6	0.73	1.02	28.9	25.0	-				
40	4.0	2.2	5.1	Operation not recommended							Operation not recommended										
	6.0	4.4	10.2	600	20.9	1.58	15.5	102.2	3.86	2.5	600	25.0	17.2	0.69	1.10	28.7	22.7	-			
				800	21.5	1.62	16.0	94.9	3.90	2.3	800	25.4	18.8	0.74	1.15	29.4	22.1	-			
	8.0	7.3	16.8	600	21.3	1.60	15.8	102.9	3.90	2.6	600	25.2	17.2	0.68	1.07	28.8	23.6	-			
				800	22.0	1.63	16.4	95.4	3.94	2.4	800	25.7	18.8	0.73	1.12	29.5	23.1	-			
50	4.0	2.1	4.9	600	22.6	1.62	17.1	104.9	4.09	2.7	600	24.0	15.8	0.66	1.26	28.3	19.1	1.1			
				800	23.3	1.64	17.7	96.9	4.15	2.5	800	25.2	17.6	0.70	1.32	29.8	19.1	1.2			
	6.0	4.3	9.9	600	23.4	1.66	17.8	106.2	4.14	2.8	600	24.5	16.0	0.65	1.19	28.5	20.7	1.0			
				800	24.2	1.68	18.4	98.0	4.22	2.6	800	25.8	17.8	0.69	1.24	30.0	20.7	1.2			
	8.0	7.0	16.3	600	24.0	1.67	18.2	107.0	4.20	2.9	600	24.7	17.1	0.69	1.16	28.7	21.4	1.0			
				800	24.7	1.69	18.9	98.6	4.27	2.6	800	26.0	19.0	0.73	1.22	30.2	21.4	1.1			
60	4.0	2.1	4.8	600	24.7	1.68	19.0	108.2	4.32	3.0	600	23.4	15.7	0.67	1.37	28.1	17.1	1.3			
				800	25.5	1.69	19.8	99.5	4.43	2.8	800	24.6	17.5	0.71	1.43	29.5	17.1	1.4			
	6.0	4.1	9.6	600	25.8	1.73	20.0	109.9	4.39	3.0	600	24.0	15.9	0.66	1.30	28.4	18.4	1.2			
				800	26.7	1.74	20.8	100.9	4.50	2.8	800	25.1	17.7	0.70	1.36	29.8	18.5	1.4			
	8.0	6.8	15.8	600	26.5	1.74	20.5	110.8	4.45	3.2	600	24.2	16.8	0.69	1.27	28.6	19.0	1.1			
				800	27.3	1.75	21.4	101.6	4.58	2.9	800	25.4	18.6	0.73	1.33	30.0	19.1	1.3			
70	4.0	2.0	4.6	600	26.9	1.74	21.0	111.5	4.54	3.2	600	22.9	15.6	0.68	1.49	28.0	15.4	1.6			
				800	27.8	1.74	21.9	102.2	4.69	3.0	800	23.9	17.4	0.73	1.54	29.2	15.5	1.7			
	6.0	4.0	9.2	600	28.3	1.79	22.1	113.6	4.62	3.4	600	23.5	15.8	0.67	1.42	28.4	16.5	1.5			
				800	29.2	1.79	23.1	103.8	4.77	3.1	800	24.5	17.5	0.72	1.47	29.5	16.6	1.7			
	8.0	6.6	15.3	600	29.0	1.82	22.8	114.7	4.68	3.5	600	23.7	16.5	0.69	1.39	28.5	17.1	1.4			
				800	30.0	1.81	23.8	104.7	4.86	3.2	800	24.8	18.2	0.74	1.45	29.7	17.2	1.6			
80	4.0	1.9	4.5	600	28.9	1.80	22.8	114.6	4.71	3.6	600	21.9	15.5	0.71	1.63	27.5	13.4	2.0			
				800	29.9	1.78	23.8	104.6	4.91	3.3	800	22.8	17.2	0.75	1.68	28.5	13.5	2.1			
	6.0	3.9	8.9	600	30.6	1.87	24.2	117.1	4.79	3.7	600	22.5	15.7	0.70	1.58	27.9	14.3	1.9			
				800	31.6	1.85	25.3	106.6	5.00	3.5	800	23.4	17.4	0.74	1.62	29.0	14.4	2.1			
	8.0	6.4	14.7	600	31.4	1.89	25.0	118.5	4.87	3.9	600	22.8	16.1	0.70	1.54	28.0	14.8	1.8			
				800	32.5	1.87	26.1	107.6	5.11	3.6	800	23.7	17.8	0.75	1.59	29.1	14.9	2.0			
90	4.0	1.9	4.3	600	30.9	1.86	24.6	117.7	4.87	3.9	600	21.0	15.3	0.73	1.78	27.0	11.8	2.5			
				800	32.0	1.83	25.8	107.0	5.12	3.7	800	21.7	17.0	0.78	1.82	27.9	11.9	2.7			
	6.0	3.7	8.6	600	32.8	1.94	26.2	120.7	4.95	4.1	600	21.6	15.5	0.72	1.73	27.5	12.5	2.4			
				800	34.0	1.91	27.5	109.4	5.22	3.8	800	22.4	17.2	0.77	1.77	28.4	12.6	2.6			
	8.0	6.1	14.2	600	33.9	1.97	27.2	122.3	5.04	4.3	600	21.8	15.6	0.72	1.70	27.6	12.8	2.2			
				800	35.0	1.92	28.5	110.6	5.34	4.0	800	22.6	17.3	0.77	1.74	28.5	13.0	2.5			
100	4.0	1.8	4.2	Operation not recommended							Operation not recommended										
	6.0	3.6	8.3	600	20.4	1.52	15.2	102.2	3.86	2.5	600	20.4	15.2	0.75	1.92	26.9	10.6	2.9			
				800	21.1	1.69	16.9	0.80	1.95	27.7	10.8	3.2									
	8.0	5.9	13.7	600	20.6	1.52	15.2	0.74	1.88	27.0	10.9	2.7									
800				21.3	1.68	16.9	0.79	1.91	27.8	11.1	3.0										
110	4.0	1.7	4.0	Operation not recommended							Operation not recommended										
	6.0	3.5	8.0	600	19.2	1.50	15.0	0.78	2.11	26.4	9.1	3.7									
				800	19.8	1.66	16.6	0.84	2.12	27.0	9.3	4.0									
	8.0	5.7	13.2	600	19.4	1.48	14.8	0.76	2.07	26.5	9.4	3.4									
800				20.0	1.63	16.3	0.82	2.09	27.1	9.5	3.8										
120	4.0	1.7	3.8	Operation not recommended							Operation not recommended										
	6.0	3.3	7.7	600	17.4	1.44	14.4	0.83	2.31	25.3	7.5	4.3									
				800	17.7	1.57	15.7	0.88	2.37	25.8	7.5	4.7									
	8.0	5.5	12.7	600	17.5	1.44	14.4	0.82	2.23	25.2	7.9	4.0									
800				17.9	1.57	15.7	0.87	2.31	25.8	7.8	4.4										

Performance capacities shown in thousands of Mbtu/h.

7/18/14



# Performance Data cont.

## 024 - Part Load Dual Capacity with 5-Speed ECM (600 cfm)

EWT °F	Flow gpm	WPD		HEATING - EAT 70°F							COOLING - EAT 80/67 °F								
		PSI	FT	Airflow cfm	HC Mbtu/h	Power kW	HE Mbtu/h	LAT °F	COP	HWC Mbtu/h	Airflow cfm	TC Mbtu/h	SC Mbtu/h	S/T Ratio	Power kW	HR Mbtu/h	EER	HWC Mbtu/h	
20	3.0	1.5	3.5	Operation not recommended							Operation not recommended								
	5.0	3.4	7.8	Operation not recommended							Operation not recommended								
	7.0	6.1	14.1	500	11.6	1.17	7.6	91.4	2.89	1.8	600	12.0	1.20	7.9	88.6	2.93	1.7		
30	3.0	1.5	3.4	Operation not recommended							Operation not recommended								
	5.0	3.3	7.6	500	12.7	1.16	8.8	93.6	3.22	1.7	500	17.7	12.6	0.71	0.64	19.9	27.7	-	
				600	13.3	1.19	9.2	90.5	3.27	1.6	600	18.0	13.7	0.76	0.67	20.3	26.7	-	
	7.0	5.9	13.7	500	13.6	1.19	9.5	95.1	3.35	1.8	500	17.8	12.6	0.71	0.62	19.9	28.7	-	
				600	14.1	1.22	10.0	91.8	3.40	1.7	600	18.2	13.7	0.75	0.65	20.5	28.0	-	
40	3.0	1.4	3.3	Operation not recommended							Operation not recommended								
	5.0	3.2	7.4	500	14.8	1.18	10.8	97.4	3.68	1.7	500	18.0	12.7	0.71	0.71	20.4	25.3	-	
				600	15.3	1.20	11.2	93.7	3.73	1.6	600	18.3	13.9	0.76	0.75	20.9	24.5	-	
	7.0	5.7	13.2	500	15.6	1.21	11.5	98.9	3.78	1.8	500	18.1	12.7	0.70	0.69	20.5	26.2	-	
				600	16.1	1.23	11.9	94.9	3.84	1.7	600	18.5	13.9	0.75	0.72	21.0	25.7	-	
50	3.0	1.4	3.2	500	16.3	1.20	12.2	100.2	3.97	1.8	500	17.8	12.3	0.69	0.80	20.6	22.2	0.5	
				600	16.8	1.22	12.6	95.9	4.04	1.7	600	18.3	13.6	0.74	0.82	21.1	22.4	0.6	
	5.0	3.1	7.2	500	16.9	1.20	12.8	101.2	4.11	1.8	500	18.0	12.4	0.69	0.78	20.7	23.0	0.5	
				600	17.4	1.22	13.2	96.8	4.18	1.7	600	18.5	13.7	0.74	0.80	21.2	23.2	0.6	
	7.0	5.6	12.8	500	17.7	1.23	13.5	102.7	4.20	2.0	500	18.3	12.7	0.69	0.78	21.0	23.6	0.5	
				600	18.2	1.25	13.9	98.1	4.28	1.8	600	18.8	14.1	0.75	0.79	21.5	23.7	0.5	
60	3.0	1.3	3.1	500	18.3	1.23	14.1	104.0	4.37	2.0	500	17.3	12.0	0.69	0.90	20.4	19.2	0.7	
				600	18.8	1.24	14.6	99.0	4.45	1.8	600	17.8	13.3	0.74	0.92	21.0	19.3	0.8	
	5.0	3.0	6.9	500	19.1	1.23	14.9	105.3	4.55	2.0	500	17.5	12.1	0.69	0.88	20.5	19.9	0.7	
				600	19.5	1.23	15.3	100.1	4.63	1.9	600	18.0	13.3	0.74	0.90	21.0	20.0	0.8	
	7.0	5.4	12.4	500	19.7	1.26	15.5	106.5	4.61	2.1	500	17.8	12.4	0.70	0.87	20.8	20.4	0.6	
				600	20.2	1.26	15.9	101.1	4.69	1.9	600	18.3	13.7	0.75	0.89	21.3	20.6	0.7	
70	3.0	1.3	3.0	500	20.4	1.26	16.1	107.7	4.75	2.2	500	16.8	11.7	0.69	1.00	20.3	16.8	1.0	
				600	20.8	1.26	16.5	102.0	4.84	2.0	600	17.3	12.9	0.75	1.02	20.8	16.9	1.1	
	5.0	2.9	6.7	500	21.2	1.25	17.0	109.3	4.97	2.2	500	17.0	11.7	0.69	0.98	20.3	17.4	0.9	
				600	21.6	1.25	17.4	103.4	5.07	2.0	600	17.5	13.0	0.74	1.00	20.9	17.5	1.0	
	7.0	5.2	12.0	500	21.8	1.28	17.4	110.4	4.99	2.3	500	17.3	12.0	0.70	0.97	20.6	17.8	0.9	
				600	22.2	1.28	17.8	104.2	5.09	2.1	600	17.8	13.3	0.75	0.99	21.1	18.0	1.0	
80	3.0	1.3	2.9	500	22.4	1.28	18.0	111.4	5.11	2.5	500	16.0	11.4	0.71	1.13	19.9	14.2	1.4	
				600	22.7	1.28	18.3	105.0	5.21	2.2	600	16.5	12.6	0.76	1.16	20.4	14.3	1.5	
	5.0	2.8	6.5	500	23.4	1.28	19.1	113.4	5.39	2.5	500	16.2	11.4	0.71	1.10	20.0	14.7	1.3	
				600	23.7	1.27	19.4	106.6	5.49	2.3	600	16.6	12.6	0.76	1.13	20.5	14.8	1.4	
	7.0	5.0	11.6	500	23.8	1.30	19.3	114.0	5.35	2.6	500	16.5	11.7	0.71	1.09	20.2	15.0	1.2	
				600	24.0	1.29	19.6	107.1	5.46	2.4	600	16.9	13.0	0.77	1.12	20.7	15.2	1.3	
90	3.0	1.2	2.8	500	24.4	1.31	19.9	115.1	5.45	2.8	500	15.3	11.0	0.72	1.26	19.6	12.1	1.9	
				600	24.6	1.29	20.1	107.9	5.56	2.5	600	15.7	12.2	0.78	1.29	20.1	12.2	2.0	
	5.0	2.7	6.2	500	25.6	1.30	21.2	117.4	5.78	2.9	500	15.4	11.1	0.72	1.23	19.6	12.5	1.8	
				600	25.8	1.28	21.4	109.8	5.90	2.6	600	15.8	12.3	0.78	1.26	20.1	12.6	1.9	
	7.0	4.8	11.2	500	25.7	1.32	21.2	117.6	5.70	2.9	500	15.6	11.4	0.73	1.22	19.8	12.8	1.7	
				600	25.8	1.30	21.4	109.9	5.81	2.6	600	16.1	12.6	0.78	1.25	20.3	12.9	1.9	
100	3.0	1.2	2.7	Operation not recommended							Operation not recommended								
	5.0	2.6	6.0	Operation not recommended							Operation not recommended								
	7.0	4.7	10.8	Operation not recommended							Operation not recommended								
				500	14.5	10.8	0.75	1.40	19.2	10.3	2.3	600	14.9	12.0	0.81	1.43	19.7	10.4	2.5
110	3.0	1.1	2.6	Operation not recommended							Operation not recommended								
	5.0	2.5	5.8	Operation not recommended							Operation not recommended								
	7.0	4.5	10.4	Operation not recommended							Operation not recommended								
				500	13.5	10.5	0.78	1.57	18.9	8.7	3.1	600	13.9	11.7	0.84	1.60	19.4	8.7	3.3
				500	13.8	10.8	0.78	1.55	19.1	8.9	2.9	600	14.2	12.0	0.85	1.58	19.5	8.9	3.2
120	3.0	1.1	2.5	Operation not recommended							Operation not recommended								
	5.0	2.4	5.6	Operation not recommended							Operation not recommended								
	7.0	4.3	10.0	Operation not recommended							Operation not recommended								
				500	12.6	10.5	0.83	1.77	18.7	7.1	3.7	600	12.8	11.4	0.89	1.82	19.0	7.0	4.0
			500	12.7	10.5	0.82	1.72	18.6	7.4	3.4	600	13.0	11.4	0.88	1.77	19.0	7.3	3.8	

Performance capacities shown in thousands of Mbtu/h.

7/18/14

# Performance Data cont.

## 036 - Full Load Dual Capacity with 5-Speed ECM (1200 cfm)

EWT °F	Flow gpm	WPD		HEATING - EAT 70°F							COOLING - EAT 80/67 °F													
		PSI	FT	Airflow cfm	HC MBtu/h	Power kW	HE MBtu/h	LAT °F	COP	HWC MBtu/h	Airflow cfm	TC MBtu/h	SC MBtu/h	S/T Ratio	Power kW	HR MBtu/h	EER	HWC MBtu/h						
20	5.0	2.0	4.6	Operation not recommended							Operation not recommended													
	7.0	3.7	8.7	Operation not recommended							Operation not recommended													
	9.0	6.0	13.8	1000	24.4	2.27	16.6	92.6	3.15	3.3	1200	25.2	2.34	17.2	89.4	3.16	3.0	Operation not recommended						
30	5.0	1.9	4.5	Operation not recommended							Operation not recommended													
	7.0	3.6	8.4	1000	27.9	2.32	20.0	95.8	3.53	3.5	1000	34.1	21.8	0.64	1.58	39.5	21.7	-						
				1200	28.7	2.39	20.5	92.1	3.52	3.2	1200	34.7	23.9	0.69	1.66	40.3	20.9	-						
				1000	28.3	2.34	20.3	96.2	3.55	3.6	1000	34.3	21.8	0.64	1.53	39.5	22.4	-						
				1200	29.3	2.41	21.0	92.6	3.55	3.3	1200	35.1	23.9	0.68	1.61	40.6	21.9	-						
40	5.0	1.9	4.3	Operation not recommended							Operation not recommended													
	7.0	3.5	8.2	1000	31.6	2.43	23.3	99.3	3.81	3.8	1000	36.2	24.0	0.66	1.73	42.1	20.9	-						
				1200	32.6	2.48	24.1	95.2	3.85	3.5	1200	36.9	26.1	0.71	1.81	43.1	20.3	-						
				1000	32.3	2.46	23.9	99.9	3.85	3.9	1000	36.5	24.0	0.66	1.68	42.2	21.7	-						
				1200	33.3	2.51	24.7	95.7	3.89	3.6	1200	37.3	26.1	0.70	1.75	43.3	21.3	-						
50	5.0	1.8	4.2	1000	34.1	2.49	25.7	101.6	4.02	4.1	1000	36.3	23.7	0.65	1.97	43.1	18.4	1.8						
				1200	35.2	2.52	26.6	97.1	4.08	3.8	1200	38.2	26.3	0.69	2.08	45.3	18.4	1.9						
	7.0	3.4	7.9	1000	35.4	2.55	26.7	102.8	4.07	4.2	1000	37.1	24.0	0.65	1.86	43.5	20.0	1.7						
				1200	36.5	2.58	27.7	98.2	4.15	3.9	1200	39.0	26.6	0.68	1.95	45.7	20.0	1.8						
	9.0	5.4	12.6	1000	36.2	2.57	27.4	103.5	4.13	4.4	1000	37.5	25.6	0.68	1.81	43.7	20.7	1.6						
				1200	37.3	2.60	28.4	98.8	4.20	4.0	1200	39.5	28.4	0.72	1.90	46.0	20.7	1.7						
60	5.0	1.8	4.1	1000	37.5	2.59	28.6	104.7	4.24	4.6	1000	35.8	24.1	0.67	2.14	43.1	16.7	2.1						
				1200	38.7	2.61	29.8	99.9	4.35	4.2	1200	37.5	26.8	0.71	2.24	45.2	16.8	2.3						
	7.0	3.3	7.6	1000	39.2	2.67	30.1	106.3	4.31	4.7	1000	36.6	24.4	0.67	2.04	43.6	18.0	2.0						
				1200	40.4	2.68	31.3	101.2	4.42	4.4	1200	38.4	27.0	0.70	2.12	45.6	18.1	2.2						
	9.0	5.3	12.2	1000	40.1	2.69	30.9	107.2	4.36	4.9	1000	37.0	25.7	0.69	1.99	43.8	18.6	1.9						
				1200	41.4	2.71	32.2	102.0	4.49	4.5	1200	38.8	28.5	0.73	2.08	45.9	18.7	2.1						
70	5.0	1.7	3.9	1000	40.9	2.70	31.7	107.8	4.44	5.1	1000	35.2	24.5	0.69	2.32	43.1	15.2	2.6						
				1200	42.3	2.70	33.1	102.6	4.60	4.7	1200	36.8	27.2	0.74	2.40	45.0	15.3	2.8						
	7.0	3.2	7.4	1000	43.0	2.78	33.5	109.8	4.52	5.3	1000	36.1	24.8	0.69	2.22	43.7	16.3	2.4						
				1200	44.4	2.78	34.9	104.2	4.67	4.9	1200	37.7	27.4	0.73	2.29	45.5	16.4	2.7						
	9.0	5.1	11.8	1000	44.1	2.82	34.5	110.8	4.58	5.4	1000	36.5	25.7	0.71	2.16	43.9	16.9	2.3						
				1200	45.6	2.81	36.0	105.2	4.76	5.0	1200	38.1	28.5	0.75	2.25	45.8	17.0	2.5						
80	5.0	1.6	3.8	1000	44.1	2.82	34.5	110.8	4.59	5.8	1000	33.7	24.3	0.72	2.53	42.3	13.3	3.2						
				1200	45.7	2.80	36.1	105.2	4.79	5.4	1200	35.1	27.1	0.77	2.60	43.9	13.5	3.4						
	7.0	3.1	7.1	1000	46.7	2.93	36.7	113.2	4.67	6.0	1000	34.6	24.6	0.71	2.44	43.0	14.2	3.0						
				1200	48.2	2.90	38.3	107.2	4.87	5.6	1200	36.0	27.3	0.76	2.51	44.6	14.4	3.3						
	9.0	4.9	11.4	1000	48.0	2.97	37.9	114.4	4.74	6.2	1000	35.0	25.3	0.72	2.39	43.2	14.7	2.8						
				1200	49.6	2.92	39.7	108.3	4.98	5.7	1200	36.5	28.0	0.77	2.46	44.8	14.8	3.1						
90	5.0	1.6	3.7	1000	47.4	2.94	37.3	113.9	4.72	6.6	1000	32.2	24.2	0.75	2.74	41.5	11.8	4.1						
				1200	49.0	2.90	39.2	107.8	4.96	6.1	1200	33.3	26.9	0.81	2.81	42.9	11.9	4.3						
	7.0	3.0	6.9	1000	50.3	3.07	39.9	116.6	4.80	6.8	1000	33.2	24.6	0.74	2.66	42.2	12.5	3.8						
				1200	52.1	3.02	41.8	110.2	5.06	6.3	1200	34.4	27.2	0.79	2.73	43.7	12.6	4.1						
	9.0	4.8	11.0	1000	51.9	3.12	41.3	118.1	4.88	7.0	1000	33.5	24.8	0.74	2.62	42.5	12.8	3.5						
				1200	53.7	3.04	43.3	111.4	5.18	6.5	1200	34.8	27.4	0.79	2.67	43.9	13.0	3.9						
100	5.0	1.5	3.5	Operation not recommended							Operation not recommended													
	7.0	2.9	6.6	Operation not recommended							1000	31.2	24.0	0.77	2.95	41.3	10.6	4.6						
				Operation not recommended							1200	32.3	26.7	0.83	3.00	42.5	10.8	5.0						
	9.0	4.6	10.6	Operation not recommended							1000	31.6	24.0	0.76	2.90	41.5	10.9	4.3						
			Operation not recommended							1200	32.6	26.5	0.81	2.95	42.7	11.1	4.7							
110	5.0	1.5	3.4	Operation not recommended							Operation not recommended													
	7.0	2.8	6.4	Operation not recommended							1000	29.4	23.5	0.80	3.25	40.4	9.0	5.8						
				Operation not recommended							1200	30.2	26.1	0.87	3.27	41.3	9.2	6.2						
	9.0	4.4	10.2	Operation not recommended							1000	29.7	23.2	0.78	3.19	40.5	9.3	5.4						
			Operation not recommended							1200	30.5	25.6	0.84	3.22	41.5	9.4	5.9							
120	5.0	1.4	3.3	Operation not recommended							Operation not recommended													
	7.0	2.7	6.1	Operation not recommended							1000	27.3	22.6	0.83	3.57	39.5	7.6	6.9						
				Operation not recommended							1200	27.8	24.5	0.88	3.67	40.3	7.6	7.4						
	9.0	4.2	9.8	Operation not recommended							1000	27.5	22.6	0.82	3.46	39.3	8.0	6.4						
			Operation not recommended							1200	28.1	24.5	0.87	3.57	40.3	7.9	7.1							

Performance capacities shown in thousands of Mbtu/h.

# Performance Data cont.

## 036 - Part Load Dual Capacity with 5-Speed ECM (1000 cfm)

EWT °F	Flow gpm	WPD		HEATING - EAT 70°F							COOLING - EAT 80/67 °F							
		PSI	FT	Airflow cfm	HC Mbtu/h	Power kW	HE Mbtu/h	LAT °F	COP	HWC Mbtu/h	Airflow cfm	TC Mbtu/h	SC Mbtu/h	S/T Ratio	Power kW	HR Mbtu/h	EER	HWC Mbtu/h
20	4.0	1.4	3.2	Operation not recommended							Operation not recommended							
	6.0	2.8	6.5	Operation not recommended							Operation not recommended							
	8.0	4.8	11.1	850	17.1	1.74	11.1	88.6	2.87	2.9	Operation not recommended							
				1000	17.8	1.79	11.7	86.5	2.91	2.6	Operation not recommended							
30	4.0	1.4	3.2	Operation not recommended							Operation not recommended							
	6.0	2.7	6.3	850	18.6	1.72	12.8	90.3	3.17	2.8	850	25.8	16.5	0.64	0.96	29.1	26.8	-
				1000	19.4	1.77	13.4	88.0	3.22	2.5	1000	26.2	18.1	0.69	1.01	29.7	25.8	-
	8.0	4.7	10.8	850	19.8	1.76	13.8	91.6	3.29	2.9	850	25.9	16.5	0.64	0.93	29.1	27.7	-
				1000	20.7	1.81	14.5	89.1	3.34	2.6	1000	26.6	18.1	0.68	0.98	29.9	27.1	-
	40	4.0	1.3	3.1	Operation not recommended							Operation not recommended						
6.0		2.6	6.1	850	21.8	1.75	15.8	93.7	3.64	2.8	850	27.7	18.9	0.68	1.06	31.4	26.1	-
				1000	22.6	1.79	16.5	90.9	3.70	2.6	1000	28.3	20.6	0.73	1.11	32.1	25.4	-
8.0		4.5	10.4	850	23.0	1.80	16.8	95.0	3.75	2.9	850	28.0	18.9	0.68	1.03	31.5	27.1	-
				1000	23.8	1.83	17.5	92.0	3.80	2.7	1000	28.6	20.6	0.72	1.08	32.3	26.5	-
50		4.0	1.3	3.0	850	24.1	1.79	18.0	96.2	3.95	3.0	850	29.0	20.3	0.70	1.19	33.1	24.3
	1000				24.8	1.81	18.7	93.0	4.02	2.7	1000	29.8	22.4	0.75	1.22	34.0	24.5	1.0
	6.0	2.6	5.9	850	24.9	1.79	18.8	97.2	4.09	3.0	850	29.3	20.4	0.70	1.16	33.3	25.2	0.9
				1000	25.7	1.81	19.5	93.8	4.16	2.8	1000	30.1	22.6	0.75	1.19	34.2	25.4	0.9
	8.0	4.4	10.1	850	26.1	1.83	19.9	98.4	4.18	3.1	850	29.8	20.9	0.70	1.15	33.7	25.8	0.8
				1000	26.9	1.85	20.6	94.9	4.26	2.9	1000	30.6	23.1	0.76	1.18	34.6	26.0	0.9
60	4.0	1.2	2.9	850	27.3	1.83	21.1	99.7	4.38	3.2	850	28.0	19.8	0.71	1.34	32.6	20.9	1.3
				1000	28.0	1.84	21.7	95.9	4.46	3.0	1000	28.8	21.9	0.76	1.37	33.4	21.0	1.4
	6.0	2.5	5.7	850	28.4	1.82	22.2	100.9	4.57	3.3	850	28.2	19.9	0.71	1.31	32.7	21.6	1.2
				1000	29.1	1.83	22.8	96.9	4.65	3.1	1000	29.0	22.0	0.76	1.33	33.6	21.8	1.3
	8.0	4.2	9.8	850	29.4	1.86	23.0	102.0	4.62	3.4	850	28.7	20.4	0.71	1.30	33.1	22.2	1.1
				1000	30.0	1.87	23.7	97.8	4.70	3.2	1000	29.5	22.6	0.77	1.32	34.0	22.3	1.2
70	4.0	1.2	2.8	850	30.5	1.87	24.1	103.2	4.79	3.6	850	26.9	19.3	0.72	1.49	32.0	18.1	1.7
				1000	31.1	1.87	24.7	98.8	4.88	3.3	1000	27.7	21.4	0.77	1.52	32.9	18.2	1.8
	6.0	2.4	5.5	850	31.8	1.86	25.5	104.7	5.02	3.7	850	27.2	19.4	0.72	1.45	32.1	18.7	1.6
				1000	32.4	1.86	26.1	100.0	5.11	3.4	1000	27.9	21.5	0.77	1.48	33.0	18.9	1.7
	8.0	4.1	9.5	850	32.7	1.90	26.2	105.6	5.04	3.8	850	27.6	19.9	0.72	1.44	32.5	19.2	1.5
				1000	33.2	1.90	26.8	100.8	5.14	3.5	1000	28.4	22.1	0.78	1.47	33.4	19.4	1.7
80	4.0	1.2	2.7	850	34.0	1.91	27.4	107.0	5.21	4.1	850	25.7	19.1	0.74	1.69	31.5	15.2	2.3
				1000	34.4	1.90	27.9	101.9	5.31	3.8	1000	26.4	21.1	0.80	1.72	32.3	15.4	2.5
	6.0	2.3	5.4	850	35.6	1.90	29.1	108.8	5.49	4.3	850	25.9	19.2	0.74	1.64	31.5	15.8	2.2
				1000	36.0	1.89	29.6	103.3	5.60	3.9	1000	26.7	21.3	0.80	1.68	32.4	15.9	2.4
	8.0	4.0	9.2	850	36.1	1.94	29.5	109.3	5.46	4.4	850	26.4	19.7	0.75	1.63	31.9	16.2	2.0
				1000	36.5	1.92	29.9	103.8	5.56	4.1	1000	27.1	21.8	0.80	1.66	32.8	16.3	2.2
90	4.0	1.1	2.6	850	37.4	1.96	30.8	110.8	5.60	4.7	850	24.5	18.9	0.77	1.89	30.9	13.0	3.2
				1000	37.7	1.93	31.1	104.9	5.72	4.4	1000	25.2	20.9	0.83	1.92	31.7	13.1	3.4
	6.0	2.2	5.2	850	39.4	1.94	32.7	112.9	5.94	4.9	850	24.7	19.0	0.77	1.84	31.0	13.4	3.0
				1000	39.6	1.91	33.1	106.7	6.07	4.5	1000	25.4	21.0	0.83	1.87	31.8	13.6	3.2
	8.0	3.8	8.8	850	39.5	1.98	32.8	113.1	5.85	5.0	850	25.1	19.5	0.78	1.82	31.3	13.8	2.8
				1000	39.7	1.95	33.1	106.8	5.98	4.7	1000	25.8	21.5	0.83	1.86	32.1	13.9	3.1
100	4.0	1.1	2.5	Operation not recommended							Operation not recommended							
	6.0	2.2	5.0	850	23.0	18.4	0.80	2.08	30.1	11.1	3.8	Operation not recommended						
				1000	23.7	20.3	0.86	2.12	30.9	11.2	4.1	Operation not recommended						
	8.0	3.7	8.5	850	23.4	18.8	0.80	2.06	30.5	11.4	3.5	Operation not recommended						
				1000	24.1	20.9	0.87	2.10	31.2	11.5	3.9	Operation not recommended						
110	4.0	1.0	2.4	Operation not recommended							Operation not recommended							
	6.0	2.1	4.8	850	21.4	17.8	0.83	2.32	29.3	9.2	4.9	Operation not recommended						
				1000	22.0	19.7	0.89	2.37	30.1	9.3	5.3	Operation not recommended						
	8.0	3.5	8.2	850	21.7	18.2	0.84	2.30	29.6	9.4	4.6	Operation not recommended						
				1000	22.3	20.2	0.90	2.35	30.4	9.5	5.1	Operation not recommended						
120	4.0	1.0	2.3	Operation not recommended							Operation not recommended							
	6.0	2.0	4.6	850	19.8	17.9	0.90	2.63	28.8	7.5	6.0	Operation not recommended						
				1000	20.1	19.4	0.96	2.70	29.4	7.5	6.4	Operation not recommended						
	8.0	3.4	7.9	850	20.0	17.9	0.90	2.55	28.7	7.8	5.5	Operation not recommended						
				1000	20.4	19.4	0.95	2.63	29.3	7.8	6.1	Operation not recommended						

Performance capacities shown in thousands of Mbtu/h.

7/18/14

# Performance Data cont.

## 048 - Full Load Dual Capacity with 5-Speed ECM High Speed (1700 cfm)

EWT °F	Flow gpm	WPD		HEATING - EAT 70°F							COOLING - EAT 80/67 °F							
		PSI	FT	Airflow cfm	HC kBtu/h	Power kW	HE kBtu/h	LAT °F	COP	HWC kBtu/h	Airflow cfm	TC kBtu/h	SC kBtu/h	S/T Ratio	Power kW	HR kBtu/h	EER	HWC kBtu/h
20	6.0	1.8	4.1	Operation not recommended							Operation not recommended							
	9.0	4.0	9.2	Operation not recommended							Operation not recommended							
	12.0	7.3	16.8	1400	31.6	2.98	21.4	90.9	3.10	5.6	Operation not recommended							
1700				32.7	3.03	22.4	87.8	3.17	5.1	Operation not recommended								
30	6.0	1.7	3.9	Operation not recommended							Operation not recommended							
	9.0	3.9	8.9	1400	35.0	3.02	24.7	93.1	3.39	5.7	1400	47.5	30.0	0.63	2.08	54.6	22.8	-
				1700	36.1	3.04	25.7	89.6	3.47	5.3	1700	48.3	32.7	0.68	2.19	55.8	22.0	-
	12.0	7.0	16.3	1400	35.8	3.04	25.5	93.7	3.45	6.0	1400	47.7	30.0	0.63	2.02	54.6	23.6	-
				1700	37.1	3.08	26.6	90.2	3.53	5.4	1700	48.9	32.7	0.67	2.12	56.1	23.1	-
40	6.0	1.7	3.8	Operation not recommended							Operation not recommended							
	9.0	3.7	8.7	1400	39.5	3.13	28.9	96.1	3.71	6.3	1400	50.0	32.6	0.65	2.28	57.8	22.0	-
				1700	40.9	3.13	30.3	92.3	3.84	5.8	1700	51.0	35.6	0.70	2.39	59.1	21.3	-
	12.0	6.8	15.8	1400	40.8	3.15	30.1	97.0	3.80	6.6	1400	50.4	32.6	0.65	2.21	58.0	22.8	-
				1700	42.2	3.17	31.4	93.0	3.91	6.0	1700	51.6	35.6	0.69	2.31	59.4	22.3	-
50	6.0	1.6	3.7	1400	40.9	3.13	30.3	97.1	3.83	6.6	1400	51.2	32.5	0.64	2.92	61.1	17.5	3.0
				1700	42.2	3.13	31.6	93.0	3.96	6.1	1700	52.8	38.4	0.73	3.04	63.2	17.3	3.1
	9.0	3.6	8.4	1400	44.1	3.23	33.1	99.2	4.00	7.0	1400	52.3	32.7	0.63	2.53	60.9	20.7	2.8
				1700	45.8	3.21	34.9	95.0	4.18	6.5	1700	53.9	38.5	0.72	2.65	62.9	20.3	3.0
	12.0	6.6	15.3	1400	45.8	3.25	34.7	100.3	4.13	7.4	1400	52.6	32.7	0.62	2.38	60.7	22.1	2.6
1700				47.3	3.25	36.2	95.8	4.26	6.7	1700	54.2	38.5	0.71	2.50	62.7	21.7	2.9	
60	6.0	1.6	3.6	1400	44.9	3.27	33.7	99.7	4.02	7.4	1400	50.5	32.6	0.64	3.10	61.1	16.3	3.7
				1700	46.5	3.25	35.4	95.3	4.19	6.9	1700	52.1	38.4	0.74	3.24	63.1	16.1	3.8
	9.0	3.5	8.1	1400	48.5	3.35	37.1	102.1	4.25	7.9	1400	51.4	32.8	0.64	2.75	60.7	18.7	3.4
				1700	50.4	3.31	39.1	97.5	4.47	7.3	1700	52.9	38.6	0.73	2.88	62.8	18.4	3.6
	12.0	6.4	14.8	1400	50.6	3.38	39.1	103.5	4.39	8.3	1400	51.9	32.9	0.63	2.61	60.8	19.9	3.2
1700				52.4	3.34	41.0	98.5	4.60	7.6	1700	53.5	38.7	0.72	2.73	62.8	19.6	3.5	
70	6.0	1.5	3.5	1400	48.8	3.41	37.2	102.3	4.20	8.4	1400	49.9	32.6	0.65	3.28	61.1	15.2	4.6
				1700	50.7	3.37	39.2	97.6	4.41	7.8	1700	51.4	38.3	0.75	3.44	63.2	15.0	4.8
	9.0	3.4	7.9	1400	53.0	3.47	41.1	105.0	4.48	8.9	1400	50.4	32.9	0.65	2.97	60.5	16.9	4.2
				1700	55.1	3.41	43.4	100.0	4.73	8.3	1700	52.0	38.7	0.74	3.11	62.6	16.7	4.5
	12.0	6.2	14.3	1400	55.4	3.51	43.4	106.6	4.63	9.4	1400	51.3	33.1	0.65	2.84	61.0	18.0	3.9
1700				57.5	3.43	45.8	101.3	4.91	8.7	1700	52.8	38.9	0.74	2.95	62.9	17.9	4.3	
80	6.0	1.4	3.3	1400	52.7	3.56	40.5	104.8	4.33	9.6	1400	47.9	32.0	0.67	3.50	59.8	13.7	5.8
				1700	54.7	3.50	42.8	99.8	4.58	8.9	1700	49.4	37.6	0.76	3.65	61.9	13.5	6.1
	9.0	3.3	7.6	1400	57.2	3.60	44.9	107.8	4.65	10.2	1400	48.2	32.4	0.67	3.25	59.3	14.8	5.3
				1700	59.5	3.51	47.5	102.4	4.97	9.5	1700	49.6	38.1	0.77	3.38	61.1	14.7	5.7
	12.0	6.0	13.8	1400	60.1	3.64	47.7	109.8	4.84	10.7	1400	49.2	32.6	0.66	3.11	59.9	15.8	5.0
1700				62.5	3.54	50.4	104.1	5.17	9.9	1700	50.8	38.3	0.76	3.24	61.8	15.7	5.5	
90	6.0	1.4	3.2	1400	56.5	3.72	43.9	107.4	4.46	10.9	1400	45.9	31.4	0.68	3.72	58.6	12.3	7.4
				1700	58.7	3.64	46.3	102.0	4.73	10.2	1700	47.4	36.9	0.78	3.87	60.6	12.2	7.8
	9.0	3.2	7.3	1400	61.5	3.74	48.7	110.7	4.82	11.6	1400	45.9	31.8	0.69	3.53	58.0	13.0	6.7
				1700	64.0	3.62	51.7	104.9	5.19	10.8	1700	47.2	37.5	0.79	3.66	59.7	12.9	7.2
	12.0	5.8	13.3	1400	64.9	3.78	52.0	112.9	5.03	12.2	1400	47.2	32.2	0.68	3.38	58.8	14.0	6.3
1700				67.6	3.66	55.1	106.8	5.41	11.4	1700	48.7	37.8	0.78	3.53	60.7	13.8	7.0	
100	6.0	1.3	3.1	Operation not recommended							Operation not recommended							
	9.0	3.1	7.1	Operation not recommended							1400	43.0	31.3	0.73	3.88	56.2	11.1	8.2
				1700	44.3	36.9	0.83	4.03	58.1	11.0	8.8							
	12.0	5.6	12.9	Operation not recommended							1400	44.6	31.8	0.71	3.74	57.4	11.9	7.8
1700				45.9	37.3	0.81	3.90	59.2	11.8	8.6								
110	6.0	1.3	3.0	Operation not recommended							Operation not recommended							
	9.0	2.9	6.8	Operation not recommended							1400	40.1	30.8	0.77	4.22	54.5	9.5	10.3
				1700	41.4	36.3	0.88	4.40	56.4	9.4	11.3							
	12.0	5.4	12.4	Operation not recommended							1400	42.0	31.4	0.75	4.09	56.0	10.3	9.9
1700				43.2	36.8	0.85	4.27	57.7	10.1	11.0								
120	6.0	1.2	2.9	Operation not recommended							Operation not recommended							
	9.0	2.8	6.5	Operation not recommended							1400	38.9	31.9	0.82	4.74	55.1	8.2	13.1
				1700	39.6	34.7	0.88	4.87	56.2	8.1	14.1							
	12.0	5.1	11.9	Operation not recommended							1400	39.3	31.9	0.81	4.59	54.9	8.6	12.1
1700				40.1	34.7	0.86	4.74	56.3	8.5	13.4								

Performance capacities shown in thousands of Mbtu/h.

9/25/14

# Performance Data cont.

## 048 - Part Load Dual Capacity with 5-Speed ECM (1250 cfm)

EWT °F	Flow gpm	WPD		HEATING - EAT 70°F							COOLING - EAT 80/67 °F							
		PSI	FT	Airflow cfm	HC Mbtu/h	Power kW	HE Mbtu/h	LAT °F	COP	HWC Mbtu/h	Airflow cfm	TC Mbtu/h	SC Mbtu/h	S/T Ratio	Power kW	HR Mbtu/h	EER	HWC Mbtu/h
20	5.0	1.2	2.7	Operation not recommended							Operation not recommended							
	8.0	3.2	7.3	Operation not recommended							Operation not recommended							
	11.0	6.1	14.1	1000	22.6	2.20	15.1	91.0	3.01	4.4	Operation not recommended							
30	5.0	1.1	2.6	Operation not recommended							Operation not recommended							
				1000	25.6	2.20	18.1	93.7	3.41	4.4	1000	34.9	23.2	0.67	1.07	38.5	32.6	-
	8.0	3.1	7.1	1250	26.4	2.22	18.9	89.6	3.49	4.0	1250	35.4	25.4	0.72	1.13	39.3	31.5	-
				1000	26.3	2.22	18.7	94.3	3.47	4.5	1000	35.1	23.2	0.66	1.04	38.6	33.8	-
	11.0	5.9	13.7	1250	27.2	2.25	19.5	90.2	3.55	4.1	1250	35.9	25.4	0.71	1.09	39.6	33.0	-
				Operation not recommended							Operation not recommended							
40	5.0	1.1	2.5	Operation not recommended							Operation not recommended							
				1000	29.0	2.23	21.4	96.8	3.80	4.6	1000	37.1	25.4	0.68	1.20	41.2	30.9	-
	8.0	3.0	6.9	1250	30.0	2.23	22.4	92.2	3.94	4.2	1250	37.8	27.7	0.73	1.26	42.1	30.0	-
				1000	29.9	2.25	22.3	97.7	3.90	4.7	1000	37.4	25.4	0.68	1.17	41.3	32.1	-
	11.0	5.7	13.2	1250	31.0	2.26	23.2	92.9	4.01	4.3	1250	38.2	27.7	0.73	1.22	42.4	31.3	-
				Operation not recommended							Operation not recommended							
50	5.0	1.1	2.5	1000	30.0	2.19	22.5	97.8	4.01	4.8	1000	38.2	25.4	0.66	1.57	43.6	24.3	1.5
				1250	31.0	2.19	23.5	92.9	4.14	4.5	1250	39.4	29.9	0.76	1.64	45.0	24.0	1.6
	8.0	2.9	6.7	1000	32.3	2.26	24.6	100.0	4.19	5.0	1000	39.1	25.5	0.65	1.36	43.7	28.7	1.4
				1250	33.6	2.25	25.9	94.9	4.37	4.6	1250	40.3	30.1	0.75	1.43	45.1	28.2	1.6
	11.0	5.6	12.8	1000	33.6	2.28	25.8	101.1	4.32	5.1	1000	39.3	25.5	0.65	1.28	43.7	30.6	1.3
				1250	34.7	2.28	26.9	95.7	4.46	4.7	1250	40.5	30.1	0.74	1.35	45.1	30.0	1.5
60	5.0	1.0	2.4	1000	32.7	2.23	25.0	100.2	4.29	5.3	1000	37.5	25.2	0.67	1.76	43.5	21.3	2.1
				1250	33.8	2.22	26.3	95.1	4.47	4.9	1250	38.7	29.6	0.77	1.84	45.0	21.0	2.3
	8.0	2.8	6.5	1000	35.3	2.29	27.5	102.7	4.53	5.4	1000	38.1	25.3	0.66	1.56	43.5	24.4	2.0
				1250	36.7	2.26	29.0	97.2	4.76	5.0	1250	39.3	29.8	0.76	1.64	44.9	24.0	2.2
	11.0	5.4	12.4	1000	36.8	2.31	29.0	104.1	4.68	5.6	1000	38.6	25.4	0.66	1.49	43.6	26.0	1.9
				1250	38.2	2.28	30.4	98.3	4.90	5.1	1250	39.8	29.9	0.75	1.55	45.0	25.6	2.1
70	5.0	1.0	2.3	1000	35.3	2.27	27.6	102.7	4.57	5.8	1000	36.8	24.9	0.68	1.95	43.5	18.9	3.0
				1250	36.7	2.24	29.1	97.2	4.80	5.4	1250	38.0	29.3	0.77	2.04	44.9	18.6	3.1
	8.0	2.7	6.2	1000	38.4	2.31	30.5	105.5	4.87	6.0	1000	37.2	25.2	0.68	1.77	43.2	21.1	2.8
				1250	39.9	2.27	32.1	99.5	5.15	5.6	1250	38.4	29.6	0.77	1.85	44.7	20.8	3.0
	11.0	5.2	12.0	1000	40.1	2.33	32.1	107.1	5.04	6.2	1000	37.8	25.3	0.67	1.69	43.6	22.4	2.6
				1250	41.6	2.28	33.8	100.8	5.35	5.7	1250	39.0	29.7	0.76	1.75	45.0	22.2	2.8
80	5.0	1.0	2.2	1000	38.1	2.31	30.2	105.3	4.84	6.6	1000	35.1	24.4	0.69	2.19	42.6	16.0	4.0
				1250	39.6	2.27	31.9	99.3	5.12	6.1	1250	36.2	28.6	0.79	2.28	44.0	15.9	4.3
	8.0	2.6	6.0	1000	41.4	2.33	33.4	108.3	5.20	6.8	1000	35.3	24.6	0.70	2.03	42.2	17.4	3.7
				1250	43.1	2.27	35.3	101.9	5.55	6.3	1250	36.3	29.0	0.80	2.11	43.6	17.2	4.1
	11.0	5.0	11.6	1000	43.5	2.36	35.4	110.3	5.40	7.0	1000	36.1	24.8	0.69	1.94	42.7	18.6	3.5
				1250	45.2	2.29	37.4	103.5	5.78	6.5	1250	37.2	29.2	0.78	2.03	44.1	18.4	3.9
90	5.0	0.9	2.2	1000	40.9	2.35	32.9	107.8	5.11	7.5	1000	33.4	23.8	0.71	2.42	41.7	13.8	5.4
				1250	42.5	2.30	34.6	101.5	5.42	7.0	1250	34.5	27.9	0.81	2.52	43.1	13.7	5.7
	8.0	2.5	5.8	1000	44.4	2.36	36.4	111.1	5.52	7.8	1000	33.4	24.1	0.72	2.30	41.2	14.5	5.0
				1250	46.3	2.28	38.5	104.3	5.94	7.2	1250	34.3	28.3	0.83	2.38	42.5	14.4	5.5
	11.0	4.8	11.2	1000	46.9	2.38	38.8	113.4	5.76	8.0	1000	34.3	24.3	0.71	2.20	41.8	15.6	4.7
				1250	48.9	2.31	41.0	106.2	6.20	7.4	1250	35.4	28.6	0.81	2.30	43.2	15.4	5.2
100	5.0	0.9	2.1	Operation not recommended							Operation not recommended							
	8.0	2.4	5.6	Operation not recommended							1000	31.3	23.3	0.74	2.64	40.3	11.8	6.4
				1250	32.2	27.4	0.85	2.74	41.6	11.8	7.0							
	11.0	4.7	10.8	Operation not recommended							1000	32.4	23.6	0.73	2.54	41.1	12.8	6.0
1250				33.4	27.7	0.83	2.65	42.4	12.6	6.6								
110	5.0	0.9	2.0	Operation not recommended							Operation not recommended							
	8.0	2.3	5.4	Operation not recommended							1000	29.1	22.4	0.77	2.98	39.3	9.8	8.5
				1250	30.1	26.4	0.88	3.10	40.7	9.7	9.2							
	11.0	4.5	10.4	Operation not recommended							1000	30.5	22.9	0.75	2.89	40.4	10.6	7.9
1250				31.4	26.8	0.85	3.01	41.7	10.4	8.7								
120	5.0	0.8	1.9	Operation not recommended							Operation not recommended							
	8.0	2.2	5.2	Operation not recommended							1000	28.2	24.0	0.85	3.40	39.7	8.3	11.0
				1250	28.7	26.1	0.91	3.49	40.6	8.2	11.7							
	11.0	4.3	10.0	Operation not recommended							1000	28.4	24.0	0.85	3.29	39.6	8.6	9.7
1250				29.0	26.1	0.90	3.39	40.6	8.6	10.8								

Performance capacities shown in thousands of Mbtu/h.

7/18/14

# Performance Data cont.

## 060 - Full Load Dual Capacity with 5-Speed ECM (1800 cfm)

EWT °F	Flow gpm	WPD		HEATING - EAT 70°F							COOLING - EAT 80/67 °F								
		PSI	FT	Airflow cfm	HC Mbtu/h	Power kW	HE Mbtu/h	LAT °F	COP	HWC Mbtu/h	Airflow cfm	TC Mbtu/h	SC Mbtu/h	S/T Ratio	Power kW	HR Mbtu/h	EER	HWC Mbtu/h	
20	8.0	2.9	6.8	Operation not recommended							Operation not recommended								
	12.0	6.0	13.8	Operation not recommended							Operation not recommended								
	16.0	10.1	23.3	1500	38.6	3.93	25.2	93.8	2.88	6.1	1800	39.6	4.11	25.5	90.3	2.82	5.5		
30	8.0	2.8	6.6	Operation not recommended							Operation not recommended								
	12.0	5.8	13.4	1500	43.9	3.97	30.3	97.1	3.24	6.4	1500	52.9	32.2	0.61	2.69	62.1	19.6	-	
				1800	45.1	4.23	30.7	93.2	3.13	5.8	1800	53.7	35.2	0.65	2.84	63.4	18.9	-	
	16.0	9.8	22.6	1500	44.5	4.07	30.6	97.5	3.20	6.5	1500	53.2	32.2	0.61	2.61	62.1	20.3	-	
1800				45.6	4.27	31.0	93.5	3.13	5.9	1800	54.4	35.2	0.65	2.74	63.8	19.9	-		
40	8.0	2.8	6.4	Operation not recommended							Operation not recommended								
	12.0	5.6	13.0	1500	50.3	4.17	36.1	101.1	3.53	7.0	1500	56.9	35.4	0.62	2.95	67.0	19.3	-	
				1800	51.5	4.35	36.6	96.5	3.47	6.4	1800	58.0	38.6	0.67	3.09	68.5	18.8	-	
	16.0	9.5	21.9	1500	51.1	4.25	36.6	101.5	3.53	7.2	1500	57.4	35.4	0.62	2.86	67.1	20.1	-	
1800				52.3	4.39	37.3	96.9	3.48	6.6	1800	58.7	38.6	0.66	2.99	68.9	19.6	-		
50	8.0	2.7	6.2	1500	53.6	4.28	39.0	103.1	3.67	7.5	1500	60.4	38.0	0.63	3.16	71.2	19.1	3.6	
				1800	54.8	4.42	39.7	98.2	3.63	7.0	1800	61.6	41.3	0.67	3.37	73.1	18.3	3.8	
	12.0	5.4	12.6	1500	56.7	4.37	41.8	105.0	3.81	7.8	1500	61.0	38.3	0.63	3.10	71.6	19.7	3.3	
				1800	57.9	4.48	42.6	99.8	3.79	7.2	1800	62.3	41.7	0.67	3.29	73.5	18.9	3.6	
	16.0	9.2	21.2	1500	57.7	4.42	42.6	105.6	3.83	8.0	1500	61.6	38.7	0.63	3.05	72.0	20.2	3.1	
				1800	58.9	4.52	43.5	100.3	3.82	7.3	1800	62.9	42.1	0.67	3.24	73.9	19.4	3.4	
60	8.0	2.6	6.0	1500	60.1	4.51	44.7	107.1	3.91	8.5	1500	59.7	38.5	0.65	3.44	71.4	17.4	4.4	
				1800	61.4	4.58	45.8	101.6	3.93	7.8	1800	61.2	41.9	0.68	3.66	73.7	16.7	4.6	
	12.0	5.3	12.2	1500	62.9	4.58	47.2	108.8	4.02	8.7	1500	60.3	38.9	0.64	3.37	71.8	17.9	4.1	
				1800	64.2	4.64	48.4	103.0	4.06	8.0	1800	61.9	42.3	0.68	3.58	74.1	17.3	4.4	
	16.0	8.9	20.6	1500	64.2	4.63	48.4	109.6	4.06	9.0	1500	60.9	39.3	0.65	3.31	72.2	18.4	3.8	
				1800	65.7	4.69	49.7	103.8	4.11	8.2	1800	62.5	42.7	0.68	3.52	74.5	17.7	4.2	
70	8.0	2.5	5.8	1500	66.6	4.72	50.4	111.1	4.13	9.5	1500	59.0	39.1	0.66	3.71	71.6	15.9	5.4	
				1800	68.0	4.74	51.8	105.0	4.20	8.8	1800	60.8	42.5	0.70	3.95	74.3	15.4	5.7	
	12.0	5.1	11.8	1500	69.0	4.79	52.6	112.6	4.22	9.8	1500	59.5	39.5	0.66	3.64	72.0	16.4	5.0	
				1800	70.6	4.80	54.2	106.3	4.31	9.0	1800	61.5	42.9	0.70	3.87	74.7	15.9	5.4	
	16.0	8.6	19.9	1500	70.7	4.85	54.2	113.7	4.28	10.1	1500	60.1	39.8	0.66	3.58	72.3	16.8	4.7	
				1800	72.4	4.85	55.9	107.2	4.38	9.3	1800	62.0	43.3	0.70	3.81	75.0	16.3	5.2	
80	8.0	2.4	5.6	1500	72.9	4.97	55.9	115.0	4.30	10.6	1500	56.9	38.8	0.68	4.03	70.6	14.1	7.0	
				1800	74.6	4.94	57.7	108.4	4.42	9.8	1800	59.0	42.1	0.71	4.29	73.6	13.7	7.4	
	12.0	4.9	11.4	1500	74.6	5.03	57.5	116.1	4.35	11.0	1500	57.5	39.1	0.68	3.95	70.9	14.5	6.5	
				1800	76.4	4.98	59.4	109.3	4.50	10.1	1800	59.6	42.5	0.71	4.20	73.9	14.2	7.0	
	16.0	8.3	19.2	1500	76.9	5.09	59.5	117.5	4.43	11.3	1500	58.0	39.5	0.68	3.88	71.3	14.9	6.0	
				1800	78.8	5.03	61.6	110.5	4.59	10.4	1800	60.2	42.9	0.71	4.13	74.3	14.6	6.7	
90	8.0	2.3	5.4	1500	79.2	5.21	61.4	118.9	4.46	11.9	1500	54.7	38.4	0.70	4.35	69.5	12.6	9.1	
				1800	81.1	5.13	63.6	111.7	4.63	11.0	1800	57.1	41.7	0.73	4.63	72.9	12.3	9.7	
	12.0	4.8	11.0	1500	80.3	5.27	62.3	119.5	4.47	12.3	1500	55.3	38.7	0.70	4.26	69.9	13.0	8.5	
				1800	82.3	5.16	64.7	112.3	4.68	11.4	1800	57.7	42.1	0.73	4.54	73.1	12.7	9.2	
	16.0	8.0	18.5	1500	83.0	5.33	64.8	121.2	4.56	12.6	1500	55.9	39.2	0.70	4.19	70.2	13.3	7.9	
				1800	85.2	5.21	67.4	113.8	4.79	11.7	1800	58.3	42.5	0.73	4.46	73.5	13.1	8.8	
100	8.0	2.2	5.2	Operation not recommended							Operation not recommended								
	12.0	4.6	10.6	1500	51.7	37.3	0.72	4.70	67.8	11.0	10.2								
				1800	54.2	40.5	0.75	5.00	71.3	10.8	11.0								
	16.0	7.7	17.8	1500	52.2	37.7	0.72	4.61	68.0	11.3	9.5								
1800				54.7	40.9	0.75	4.92	71.5	11.1	10.5									
110	8.0	2.2	5.0	Operation not recommended							Operation not recommended								
	12.0	4.4	10.2	1500	48.1	35.8	0.74	5.13	65.6	9.4	13.1								
				1800	50.7	38.9	0.77	5.47	69.4	9.3	14.2								
	16.0	7.4	17.2	1500	48.6	36.2	0.75	5.04	65.8	9.6	12.2								
1800				51.2	39.3	0.77	5.38	69.5	9.5	13.5									
120	8.0	2.1	4.8	Operation not recommended							Operation not recommended								
	12.0	4.2	9.8	1500	46.1	35.1	0.76	5.96	66.4	7.7	15.6								
				1800	47.0	38.2	0.81	6.11	67.8	7.7	16.3								
	16.0	7.1	16.5	1500	46.5	35.1	0.76	5.76	66.2	8.1	14.5								
1800				47.5	38.2	0.80	5.94	67.8	8.0	15.6									

Performance capacities shown in thousands of Mbtu/h.

7/18/14



# Performance Data cont.

## 060 - Part Load Dual Capacity with 5-Speed ECM (1500 cfm)

EWT °F	Flow gpm	WPD		HEATING - EAT 70°F							COOLING - EAT 80/67 °F							
		PSI	FT	Airflow cfm	HC Mbtu/h	Power kW	HE Mbtu/h	LAT °F	COP	HWC Mbtu/h	Airflow cfm	TC Mbtu/h	SC Mbtu/h	S/T Ratio	Power kW	HR Mbtu/h	EER	HWC Mbtu/h
20	6.0	1.8	4.1	Operation not recommended							Operation not recommended							
	10.0	4.3	10.0	Operation not recommended							Operation not recommended							
	14.0	7.8	18.1	1250	27.7	3.01	17.5	90.5	2.70	5.3	Operation not recommended							
				1500	28.7	3.05	18.3	87.7	2.76	4.8	Operation not recommended							
30	6.0	1.7	3.9	Operation not recommended							Operation not recommended							
	10.0	4.2	9.7	1250	30.9	3.05	20.5	92.9	2.97	5.1	1250	39.9	23.5	0.59	1.57	45.2	25.4	-
				1500	32.0	3.09	21.5	89.8	3.04	4.7	1500	40.5	25.7	0.63	1.65	46.2	24.5	-
	14.0	7.6	17.6	1250	32.0	3.05	21.6	93.7	3.08	5.3	1250	40.1	23.5	0.59	1.52	45.3	26.3	-
				1500	33.1	3.09	22.6	90.4	3.14	4.8	1500	41.1	25.7	0.63	1.60	46.5	25.7	-
40	6.0	1.7	3.8	Operation not recommended							Operation not recommended							
	10.0	4.1	9.4	1250	36.2	3.11	25.6	96.8	3.41	5.4	1250	44.0	27.8	0.63	1.73	49.9	25.5	-
				1500	37.2	3.12	26.6	93.0	3.49	5.0	1500	44.8	30.3	0.68	1.81	51.0	24.8	-
	14.0	7.4	17.1	1250	37.4	3.12	26.7	97.7	3.51	5.6	1250	44.4	27.8	0.63	1.67	50.1	26.5	-
				1500	38.4	3.13	27.7	93.7	3.59	5.1	1500	45.4	30.3	0.67	1.75	51.3	25.9	-
50	6.0	1.6	3.7	1250	40.8	3.12	30.2	100.2	3.84	5.7	1250	48.0	30.5	0.64	1.92	54.5	25.0	1.9
				1500	41.9	3.12	31.3	95.9	3.94	5.3	1500	49.4	34.7	0.70	2.03	56.3	24.4	2.0
	10.0	4.0	9.1	1250	41.5	3.18	30.6	100.7	3.83	5.9	1250	48.1	30.8	0.64	1.85	54.4	26.0	1.7
				1500	42.4	3.16	31.6	96.2	3.94	5.4	1500	49.5	34.9	0.71	1.94	56.1	25.5	1.9
	14.0	7.2	16.5	1250	42.7	3.20	31.8	101.6	3.92	6.0	1250	48.2	30.8	0.64	1.82	54.4	26.6	1.6
			1500	43.7	3.18	32.8	97.0	4.03	5.5	1500	49.6	34.9	0.70	1.90	56.1	26.1	1.8	
60	6.0	1.6	3.6	1250	45.2	3.18	34.3	103.5	4.16	6.2	1250	46.4	30.4	0.66	2.16	53.8	21.5	2.6
				1500	46.2	3.16	35.4	98.5	4.29	5.7	1500	47.8	34.4	0.72	2.26	55.6	21.2	2.8
	10.0	3.8	8.8	1250	46.6	3.24	35.6	104.5	4.22	6.4	1250	46.6	30.7	0.66	2.09	53.8	22.3	2.5
				1500	47.3	3.19	36.5	99.2	4.35	5.9	1500	48.0	34.7	0.72	2.18	55.5	22.0	2.7
	14.0	6.9	16.0	1250	47.7	3.27	36.6	105.3	4.28	6.6	1250	46.8	30.8	0.66	2.05	53.8	22.9	2.3
			1500	48.5	3.22	37.5	99.9	4.41	6.1	1500	48.2	34.8	0.72	2.14	55.5	22.5	2.5	
70	6.0	1.5	3.5	1250	49.6	3.25	38.5	106.7	4.48	6.9	1250	44.9	30.4	0.68	2.40	53.1	18.7	3.7
				1500	50.4	3.19	39.5	101.1	4.63	6.4	1500	46.3	34.0	0.74	2.50	54.8	18.5	3.9
	10.0	3.7	8.6	1250	51.7	3.30	40.4	108.3	4.59	7.1	1250	45.2	30.6	0.68	2.33	53.1	19.4	3.4
				1500	52.3	3.23	41.2	102.3	4.74	6.5	1500	46.6	34.4	0.74	2.43	54.8	19.2	3.7
	14.0	6.7	15.5	1250	52.7	3.34	41.3	109.0	4.63	7.3	1250	45.4	30.8	0.68	2.28	53.2	19.9	3.2
			1500	53.2	3.27	42.1	102.9	4.78	6.7	1500	46.8	34.6	0.74	2.38	55.0	19.7	3.5	
80	6.0	1.4	3.3	1250	53.8	3.29	42.6	109.8	4.79	7.7	1250	42.8	30.0	0.70	2.72	52.0	15.7	5.0
				1500	54.3	3.22	43.3	103.5	4.94	7.1	1500	44.1	33.5	0.76	2.81	53.7	15.7	5.3
	10.0	3.6	8.3	1250	56.8	3.34	45.4	112.1	4.98	7.9	1250	43.1	30.3	0.70	2.65	52.2	16.3	4.7
				1500	57.1	3.25	46.0	105.2	5.16	7.3	1500	44.4	34.0	0.76	2.75	53.8	16.1	5.1
	14.0	6.5	15.0	1250	57.5	3.39	45.9	112.6	4.97	8.1	1250	43.4	30.5	0.70	2.61	52.3	16.6	4.4
			1500	57.7	3.29	46.5	105.6	5.14	7.5	1500	44.8	34.2	0.76	2.70	54.0	16.6	4.8	
90	6.0	1.4	3.2	1250	58.0	3.33	46.6	113.0	5.10	8.6	1250	40.6	29.7	0.73	3.04	51.0	13.3	6.9
				1500	58.1	3.25	47.1	105.9	5.25	8.0	1500	41.8	33.0	0.79	3.13	52.5	13.4	7.3
	10.0	3.4	8.0	1250	61.9	3.39	50.4	115.9	5.36	8.9	1250	41.1	30.0	0.73	2.98	51.2	13.8	6.4
				1500	61.9	3.26	50.8	108.2	5.56	8.2	1500	42.3	33.5	0.79	3.08	52.8	13.7	7.0
	14.0	6.2	14.4	1250	62.3	3.44	50.6	116.2	5.31	9.1	1250	41.4	30.3	0.73	2.94	51.4	14.1	6.0
			1500	62.2	3.32	50.9	108.4	5.50	8.5	1500	42.7	33.7	0.79	3.03	53.1	14.1	6.6	
100	6.0	1.3	3.1	Operation not recommended							Operation not recommended							
	10.0	3.3	7.7	Operation not recommended							1250	37.9	29.2	0.77	3.39	49.4	11.2	8.0
				Operation not recommended							1500	39.0	32.3	0.83	3.48	50.9	11.2	8.7
	14.0	6.0	13.9	Operation not recommended							1250	38.3	29.6	0.77	3.35	49.7	11.4	7.5
			Operation not recommended							1500	39.5	32.7	0.83	3.43	51.2	11.5	8.3	
110	6.0	1.3	3.0	Operation not recommended							Operation not recommended							
	10.0	3.2	7.4	Operation not recommended							1250	34.7	28.4	0.82	3.81	47.7	9.1	10.4
				Operation not recommended							1500	35.8	31.2	0.87	3.89	49.0	9.2	11.2
	14.0	5.8	13.4	Operation not recommended							1250	35.1	28.9	0.82	3.75	47.9	9.4	9.6
			Operation not recommended							1500	36.2	31.7	0.87	3.83	49.3	9.5	10.7	
120	6.0	1.2	2.9	Operation not recommended							Operation not recommended							
	10.0	3.1	7.1	Operation not recommended							1250	34.2	28.0	0.82	4.31	48.9	7.9	13.6
				Operation not recommended							1500	34.8	30.4	0.87	4.43	49.9	7.9	14.5
	14.0	5.6	12.9	Operation not recommended							1250	34.5	28.0	0.81	4.17	48.7	8.3	12.5
			Operation not recommended							1500	35.2	30.4	0.86	4.31	49.9	8.2	13.8	

Performance capacities shown in thousands of Mbtu/h.

7/18/14



# Performance Data cont.

## 072 - Full Load Dual Capacity with 5-Speed ECM High Speed (2300 cfm)

EWT °F	Flow gpm	WPD		HEATING - EAT 70°F							COOLING - EAT 80/67 °F												
		PSI	FT	Airflow cfm	HC kBtuh	Power kW	HE kBtuh	LAT °F	COP	HWC kBtuh	Airflow cfm	TC kBtuh	SC kBtuh	S/T Ratio	Power kW	HR kBtuh	EER	HWC kBtuh					
20	12.0	4.0	9.1	Operation not recommended							Operation not recommended												
	15.0	5.9	13.5	Operation not recommended							Operation not recommended												
	18.0	8.1	18.7	1850	49.3	4.60	33.6	94.7	3.14	8.7	2300	51.1	4.90	34.4	90.6	3.06	7.9	Operation not recommended					
30	12.0	3.8	8.9	Operation not recommended							Operation not recommended												
	15.0	5.7	13.1	1850	55.5	4.74	39.3	97.8	3.43	9.0	1850	57.3	35.2	0.61	3.14	68.0	18.2	-					
				2300	57.5	5.04	40.2	93.1	3.34	8.2	2300	58.2	38.5	0.66	3.31	69.5	17.6	-					
	18.0	7.8	18.1	1850	56.0	4.78	39.6	98.0	3.43	9.2	1850	57.6	35.2	0.61	3.05	68.0	18.9	-					
2300				58.0	5.09	40.7	93.4	3.34	8.4	2300	59.0	38.5	0.65	3.20	69.9	18.4	-						
40	12.0	3.7	8.6	Operation not recommended							Operation not recommended												
	15.0	5.5	12.7	1850	63.0	4.97	46.0	101.5	3.71	9.7	1850	63.0	39.9	0.63	3.47	74.8	18.2	-					
				2300	65.1	5.21	47.4	96.2	3.67	8.9	2300	64.2	43.6	0.68	3.64	76.6	17.7	-					
	18.0	7.6	17.6	1850	63.9	5.03	46.7	102.0	3.72	10.0	1850	63.5	39.9	0.63	3.36	75.0	18.9	-					
2300				66.1	5.26	48.1	96.6	3.68	9.1	2300	64.9	43.6	0.67	3.52	76.9	18.5	-						
50	12.0	3.6	8.3	1850	66.8	5.10	49.3	103.4	3.83	10.4	1850	68.1	43.8	0.64	3.74	80.8	18.2	4.0					
				2300	69.0	5.28	51.0	97.8	3.83	9.6	2300	69.5	47.6	0.69	3.98	83.1	17.5	4.3					
	15.0	5.3	12.3	1850	70.5	5.20	52.8	105.3	3.97	10.7	1850	68.8	44.3	0.64	3.66	81.3	18.8	3.8					
				2300	72.8	5.37	54.5	99.3	3.98	9.9	2300	70.1	48.2	0.69	3.90	83.4	18.0	4.1					
	18.0	7.4	17.0	1850	71.8	5.26	53.8	105.9	4.00	11.1	1850	69.5	45.2	0.65	3.60	81.8	19.3	3.5					
				2300	74.1	5.42	55.6	99.8	4.01	10.1	2300	70.9	48.6	0.69	3.84	83.9	18.5	3.9					
60	12.0	3.5	8.1	1850	74.9	5.40	56.5	107.5	4.07	11.7	1850	69.2	46.3	0.67	4.08	83.1	16.9	5.1					
				2300	77.3	5.50	58.5	101.1	4.12	10.8	2300	70.6	50.1	0.71	4.34	85.4	16.3	5.4					
	15.0	5.2	11.9	1850	78.2	5.49	59.4	109.1	4.17	12.0	1850	69.9	46.8	0.67	4.00	83.5	17.5	4.7					
				2300	80.7	5.58	61.7	102.5	4.24	11.1	2300	71.3	50.6	0.71	4.25	85.8	16.8	5.1					
	18.0	7.1	16.5	1850	79.9	5.56	61.0	110.0	4.22	12.4	1850	70.6	47.5	0.67	3.93	84.0	18.0	4.4					
				2300	82.6	5.63	63.3	103.2	4.29	11.4	2300	72.0	51.1	0.71	4.19	86.3	17.2	4.9					
70	12.0	3.4	7.8	1850	82.9	5.68	63.5	111.5	4.28	13.1	1850	70.3	48.8	0.69	4.43	85.4	15.9	6.5					
				2300	85.6	5.72	66.0	104.4	4.38	12.1	2300	71.7	52.5	0.73	4.70	87.8	15.2	6.9					
	15.0	5.0	11.6	1850	85.9	5.77	66.2	113.0	4.36	13.5	1850	71.0	49.3	0.69	4.34	85.8	16.4	6.0					
				2300	88.6	5.78	68.8	105.7	4.49	12.4	2300	72.4	53.0	0.73	4.60	88.1	15.7	6.5					
	18.0	6.9	15.9	1850	88.1	5.85	68.1	114.1	4.42	13.9	1850	71.7	49.8	0.69	4.26	86.3	16.9	5.6					
				2300	91.0	5.85	71.0	106.6	4.56	12.8	2300	73.2	53.6	0.73	4.54	88.7	16.1	6.2					
80	12.0	3.3	7.5	1850	90.8	6.03	70.3	115.5	4.42	14.8	1850	67.2	47.7	0.71	4.85	83.7	13.8	8.2					
				2300	93.8	5.98	73.4	107.8	4.59	13.7	2300	68.5	51.6	0.75	5.16	86.2	13.3	8.7					
	15.0	4.8	11.2	1850	93.0	6.11	72.1	116.5	4.46	15.2	1850	67.8	48.2	0.71	4.75	84.0	14.3	7.6					
				2300	96.0	6.03	75.4	108.6	4.66	14.1	2300	69.2	52.0	0.75	5.06	86.4	13.7	8.3					
	18.0	6.7	15.4	1850	95.8	6.19	74.7	118.0	4.54	15.7	1850	68.5	48.9	0.71	4.67	84.5	14.7	7.1					
				2300	99.0	6.09	78.2	109.9	4.76	14.5	2300	69.9	52.6	0.75	4.97	86.9	14.1	7.8					
90	12.0	3.1	7.3	1850	98.7	6.37	77.0	119.4	4.54	16.7	1850	64.0	46.6	0.73	5.28	82.0	12.1	10.5					
				2300	102.0	6.24	80.7	111.1	4.79	15.4	2300	65.4	50.6	0.77	5.62	84.5	11.6	11.1					
	15.0	4.7	10.8	1850	100.1	6.44	78.1	120.1	4.55	17.2	1850	64.6	47.0	0.73	5.17	82.3	12.5	9.8					
				2300	103.4	6.27	81.9	111.6	4.83	15.9	2300	66.0	51.0	0.77	5.51	84.8	12.0	10.6					
	18.0	6.4	14.9	1850	103.5	6.53	81.3	121.8	4.65	17.7	1850	65.4	48.0	0.73	5.08	82.7	12.9	9.1					
				2300	107.0	6.34	85.3	113.1	4.94	16.4	2300	66.7	51.6	0.77	5.41	85.2	12.3	10.1					
100	12.0	3.0	7.0	Operation not recommended							Operation not recommended												
	15.0	4.5	10.4	1850	61.3	45.4	0.74	5.73	80.9	10.7	12.0												
				2300	62.6	49.1	0.78	6.10	83.4	10.3	13.0												
	18.0	6.2	14.3	1850	62.0	46.1	0.74	5.63	81.2	11.0	11.1												
2300				63.3	49.5	0.78	5.99	83.7	10.6	12.4													
110	12.0	2.9	6.7	Operation not recommended							Operation not recommended												
	15.0	4.3	10.0	1850	58.0	43.8	0.75	6.29	79.5	9.2	15.6												
				2300	59.2	47.1	0.79	6.69	82.1	8.9	16.9												
	18.0	6.0	13.8	1850	58.7	44.2	0.75	6.18	79.8	9.5	14.4												
2300				59.9	47.5	0.79	6.57	82.3	9.1	16.0													
120	12.0	2.8	6.5	Operation not recommended							Operation not recommended												
	15.0	4.2	9.6	1850	54.0	42.2	0.78	7.25	78.7	7.4	18.5												
				2300	55.0	45.8	0.83	7.44	80.3	7.4	20.0												
	18.0	5.7	13.2	1850	54.5	42.2	0.78	7.01	78.4	7.8	17.1												
2300				55.6	45.8	0.82	7.24	80.3	7.7	19.0													

Performance capacities shown in thousands of Btuh.

7/18/14

# Performance Data cont.

## 072 - Part Load Dual Capacity with 5-Speed ECM (1850 cfm)

EWT °F	Flow gpm	WPD		HEATING - EAT 70°F							COOLING - EAT 80/67 °F							
		PSI	FT	Airflow cfm	HC Mbtu/h	Power kW	HE Mbtu/h	LAT °F	COP	HWC Mbtu/h	Airflow cfm	TC Mbtu/h	SC Mbtu/h	S/T Ratio	Power kW	HR Mbtu/h	EER	HWC Mbtu/h
20	10.0	2.9	6.8	Operation not recommended							Operation not recommended							
	13.0	4.6	10.5	Operation not recommended							Operation not recommended							
	16.0	6.6	15.1	1650	36.0	3.74	23.3	90.2	2.82	7.0	Operation not recommended							
				1850	37.8	3.79	24.8	88.9	2.92	6.3	Operation not recommended							
30	10.0	2.8	6.6	Operation not recommended							Operation not recommended							
	13.0	4.4	10.2	1650	39.7	3.81	26.7	92.3	3.05	6.9	1650	47.9	29.6	0.62	1.96	54.6	24.5	-
				1850	41.6	3.86	28.5	90.8	3.16	6.4	1850	48.7	32.4	0.66	2.06	55.8	23.6	-
	16.0	6.4	14.7	1650	41.4	3.81	28.4	93.2	3.19	7.1	1650	48.2	29.6	0.61	1.90	54.7	25.3	-
				1850	43.4	3.86	30.2	91.7	3.30	6.5	1850	49.4	32.4	0.66	2.00	56.2	24.7	-
40	10.0	2.8	6.4	Operation not recommended							Operation not recommended							
	13.0	4.3	9.9	1650	46.1	3.92	32.8	95.9	3.45	7.3	1650	52.8	34.3	0.65	2.17	60.2	24.3	-
				1850	48.2	3.93	34.4	94.1	3.59	6.7	1850	53.8	37.4	0.70	2.28	61.5	23.6	-
	16.0	6.2	14.3	1650	47.8	3.93	34.4	96.8	3.56	7.5	1650	53.2	34.3	0.64	2.11	60.4	25.2	-
				1850	49.9	3.94	36.4	95.0	3.71	6.8	1850	54.4	37.4	0.69	2.21	61.9	24.6	-
50	10.0	2.7	6.2	1650	51.8	3.98	38.2	99.1	3.81	7.7	1650	57.3	37.1	0.65	2.44	65.7	23.5	2.3
				1850	54.1	3.94	40.7	97.1	4.03	7.1	1850	59.1	42.1	0.71	2.56	67.9	23.1	2.4
	13.0	4.2	9.6	1650	52.5	4.02	38.8	99.5	3.83	7.9	1650	57.5	37.4	0.65	2.35	65.5	24.4	2.1
				1850	54.7	4.00	41.0	97.4	4.00	7.3	1850	59.3	42.5	0.72	2.48	67.7	23.9	2.3
	16.0	6.0	13.8	1650	54.1	4.04	40.3	100.3	3.92	8.2	1650	57.6	37.4	0.65	2.29	65.5	25.1	2.0
				1850	56.4	4.02	42.7	98.2	4.11	7.5	1850	59.4	42.5	0.72	2.42	67.6	24.6	2.2
60	10.0	2.6	6.0	1650	57.7	4.11	43.7	102.4	4.12	8.5	1650	56.4	37.6	0.67	2.75	65.8	20.5	3.2
				1850	60.1	4.02	46.4	100.1	4.38	7.8	1850	58.1	42.5	0.73	2.88	67.9	20.2	3.4
	13.0	4.0	9.3	1650	59.3	4.15	45.2	103.3	4.19	8.7	1650	56.6	38.0	0.67	2.66	65.7	21.3	3.0
				1850	61.7	4.07	47.8	100.9	4.44	8.0	1850	58.3	43.0	0.74	2.79	67.8	20.9	3.3
	16.0	5.8	13.4	1650	60.7	4.19	46.4	104.1	4.24	9.0	1650	56.9	38.1	0.67	2.61	65.8	21.8	2.8
				1850	63.1	4.12	49.1	101.6	4.49	8.3	1850	58.6	43.1	0.73	2.72	67.9	21.5	3.1
70	10.0	2.5	5.8	1650	63.7	4.23	49.2	105.7	4.41	9.4	1650	55.5	38.2	0.69	3.07	65.9	18.1	4.5
				1850	66.3	4.11	52.2	103.2	4.73	8.7	1850	57.1	43.0	0.75	3.19	68.0	17.9	4.8
	13.0	3.9	9.0	1650	66.1	4.27	51.5	107.1	4.53	9.7	1650	55.8	38.6	0.69	2.97	65.9	18.8	4.2
				1850	68.7	4.15	54.5	104.4	4.85	8.9	1850	57.4	43.5	0.76	3.09	67.9	18.6	4.6
	16.0	5.6	12.9	1650	67.3	4.34	52.5	107.8	4.55	10.0	1650	56.1	38.8	0.69	2.93	66.1	19.1	3.9
				1850	69.9	4.21	55.5	105.0	4.86	9.2	1850	57.9	43.6	0.75	3.03	68.2	19.1	4.3
80	10.0	2.4	5.6	1650	69.3	4.32	54.6	108.9	4.70	10.6	1650	51.8	37.1	0.72	3.49	63.7	14.8	6.1
				1850	71.9	4.17	57.7	106.0	5.06	9.8	1850	48.5	41.5	0.86	3.59	60.8	13.5	5.9
	13.0	3.8	8.7	1650	73.0	4.37	58.1	111.0	4.89	10.9	1650	47.5	37.5	0.79	3.40	59.1	14.0	5.2
				1850	75.6	4.20	61.3	107.8	5.28	10.1	1850	48.9	42.0	0.86	3.50	60.9	14.0	5.6
	16.0	5.4	12.5	1650	73.8	4.43	58.7	111.4	4.88	11.3	1650	47.9	37.8	0.79	3.35	59.3	14.3	4.8
				1850	76.4	4.27	61.8	108.2	5.24	10.4	1850	54.3	42.3	0.78	3.44	66.0	15.8	5.8
90	10.0	2.3	5.4	1650	75.0	4.41	60.0	112.1	4.99	11.9	1650	48.1	36.1	0.75	3.91	61.5	12.3	8.2
				1850	77.5	4.23	63.1	108.8	5.38	11.0	1850	49.6	40.1	0.81	3.99	63.3	12.4	8.7
	13.0	3.6	8.4	1650	79.9	4.47	64.6	114.8	5.24	12.3	1650	48.6	36.5	0.75	3.83	61.7	12.7	7.6
				1850	82.5	4.25	68.1	111.3	5.70	11.4	1850	50.1	40.6	0.81	3.91	63.5	12.8	8.3
	16.0	5.2	12.1	1650	80.4	4.53	64.9	115.1	5.20	12.7	1650	49.1	36.8	0.75	3.77	62.0	13.0	7.1
				1850	82.9	4.33	68.1	111.5	5.61	11.7	1850	50.7	40.9	0.81	3.85	63.8	13.2	7.9
100	10.0	2.2	5.2	Operation not recommended							Operation not recommended							
	13.0	3.5	8.1	1650	45.5	35.7	0.79	4.36	60.4	10.4	9.7	Operation not recommended						
				1850	47.0	39.6	0.84	4.41	62.1	10.6	10.5	Operation not recommended						
	16.0	5.0	11.6	1650	46.1	36.2	0.78	4.30	60.8	10.7	9.0	Operation not recommended						
1850				47.5	40.0	0.84	4.35	62.4	10.9	10.0	Operation not recommended							
110	10.0	2.2	5.0	Operation not recommended							Operation not recommended							
	13.0	3.4	7.8	Operation not recommended							1650	42.4	35.0	0.83	4.90	59.1	8.7	12.9
				1850	43.9	38.6	0.88	4.92	60.6	8.9	13.9	Operation not recommended						
	16.0	4.8	11.2	Operation not recommended							1650	43.1	35.6	0.82	4.83	59.6	8.9	11.9
1850				44.4	39.2	0.88	4.85	61.0	9.1	13.3	Operation not recommended							
120	10.0	2.1	4.8	Operation not recommended							Operation not recommended							
	13.0	3.2	7.5	Operation not recommended							1650	39.1	34.2	0.87	5.49	57.9	7.1	15.7
				1850	39.9	37.1	0.93	5.63	59.1	7.1	16.7	Operation not recommended						
	16.0	4.6	10.7	Operation not recommended							1650	39.5	34.2	0.87	5.31	57.6	7.4	14.4
1850				40.3	37.1	0.92	5.48	59.0	7.4	15.9	Operation not recommended							

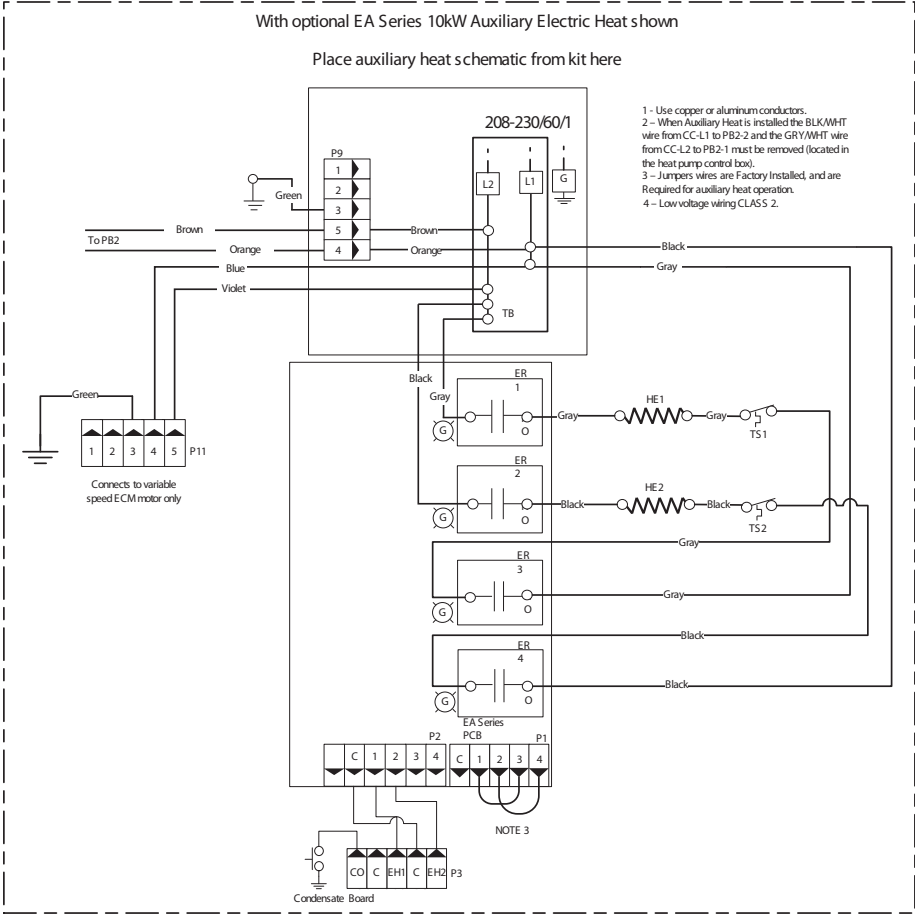
Performance capacities shown in thousands of Mbtu/h.

7/18/14



# Wiring Schematics cont.

## Aurora BASE with 5-Speed ECM cont.



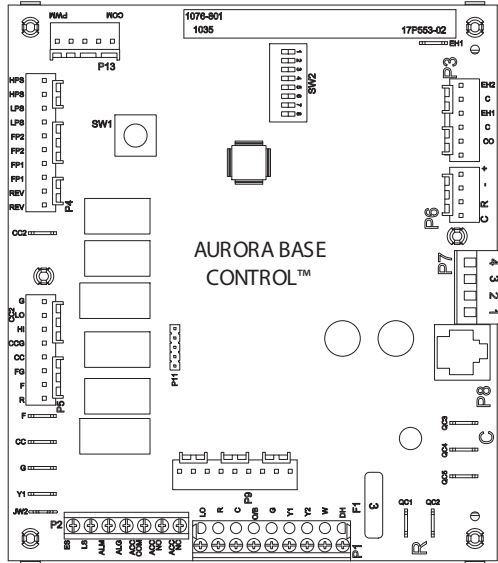
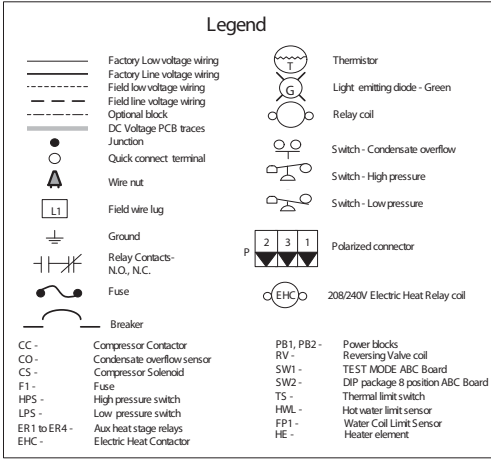
- Notes
- 1 - Switch blue and red wires for 208V operation.
  - 2 - The Blk/Wht and gray/wh wires are removed when Aux Heat is installed
  - 3 - Refer to units X13 MOTOR LOW VOLTAGE CONNECTION table for factory settings.
  - 4 - Wires provided for Auxiliary Heat low voltage control. When connected the Auxiliary Heat powers Blower and controls. Wires are secured at blower.
  - 5 - Field installed SPST relay required for dual fuel installation.
  - 6 - All low voltage wiring CLASS 2
  - 7 - Use copper or aluminum conductors

ABC SW2 Accessory Relay		
DESCRIPTION	SW2-4	SW2-5
Cycle with Blower	ON	ON
Cycle with Compressor	OFF	OFF
Water Valve Slow Opening	ON	OFF
Cycle with Comm. T-stat Hum Cmd	OFF	ON

Aurora Timing Events		
Event	Normal Mode	Test Mode
Random Start Delay	5 to 80 seconds	1 second
Compressor On Delay	5 seconds	< 1 second
Compressor Minimum On Time	2 minutes	5 seconds
Compressor Short Cycle Delay	4 minutes	15 seconds
Blower Off Delay	30 seconds	2 seconds
Fault Recognition Delay - High Pressure	Less than 1 second	Less than 1 second
Start-Up Bypass - Low Pressure	2 minutes	30 seconds
Fault Recognition Delay - Low Pressure	30 seconds	30 seconds
Start-Up Bypass - Low Water Coil Limit	2 minutes	30 seconds
Fault Recognition Delay - Low Water Coil Limit	30 seconds	30 seconds
Fault Recognition Delay - Condensate Overflow	30 seconds	30 seconds
Thermostat Call Recognition Time	2 seconds	2 seconds
Comfort Alert Recognition Time	90 seconds	90 seconds
Auxiliary Heat Staging Delay	5 minutes	20 seconds
Emergency Heat Staging Delay	2 minutes	7.5 seconds
Water Valve Slow Open Delay	90 seconds	90 seconds

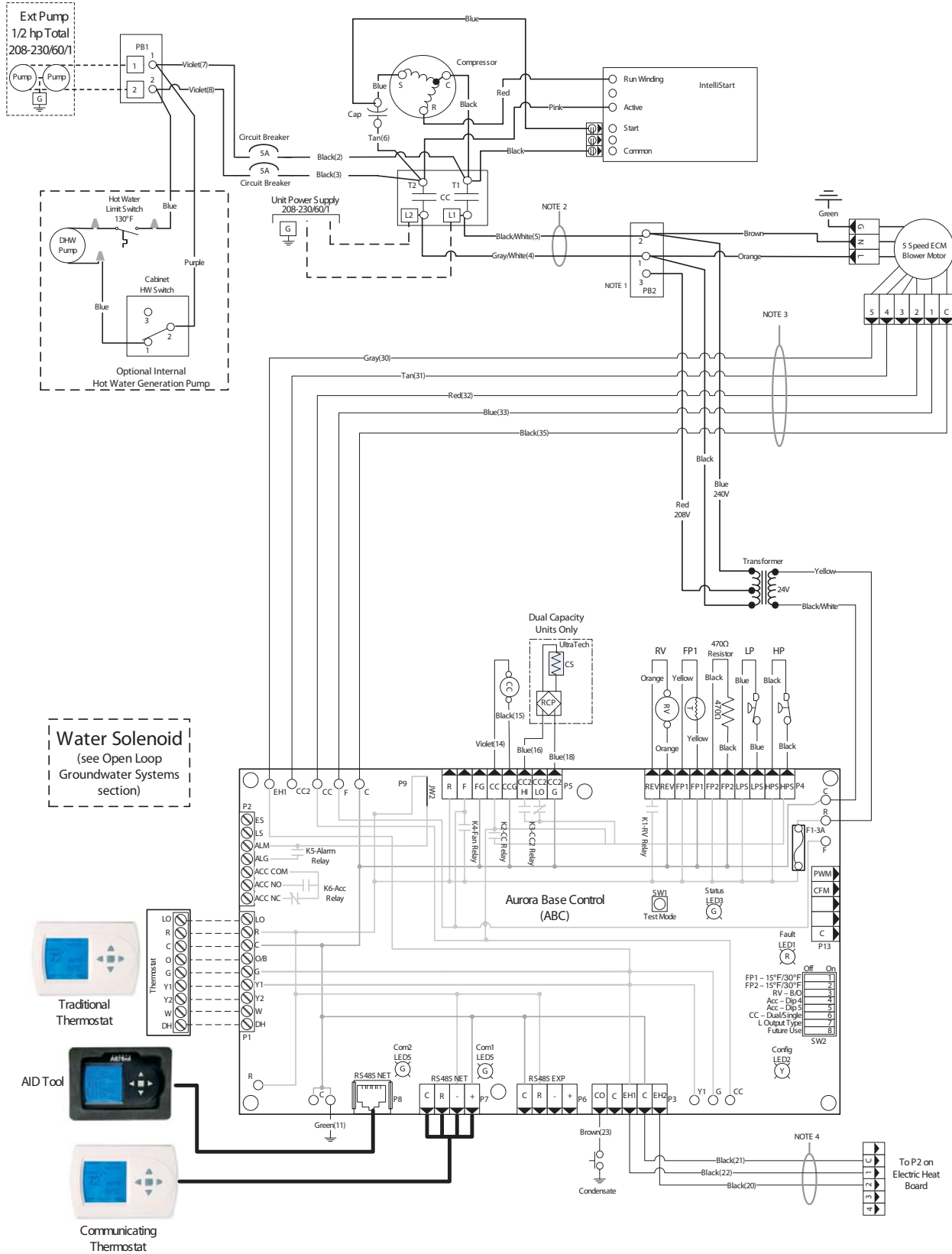
Aurora LED Flash Codes		
Slow Flash	1 second on and 1 second off	
Fast Flash	100 milliseconds on and 100 milliseconds off	
Flash Code	100 milliseconds on and 400 milliseconds off with a 2 second pause before repeating	
Random Start Delay (Alternating Colors)		Configuration LED (LED2, Yellow)
Status LED (LED1, Green)	Fast Flash	No Software Override
Configuration LED (LED2, Yellow)	Fast Flash	DIP Switch Override
Fault LED (LED3, Red)	Fast Flash	Status LED (LED3, Green)
Normal Mode	OFF	Normal Mode
Input Fault Lockout	Flash Code 1	Control is Non-Functional
High Pressure Lockout	Flash Code 2	Test Mode
Low Pressure Lockout	Flash Code 3	Lockout Active
Future Use	Flash Code 4	Dehumidification Mode
Freeze Detection - FP1	Flash Code 5	Future Use
Reserved	Flash Code 6	Future Use
Condensate Overflow Lockout	Flash Code 7	Load Shed
Over/Under Voltage Shutdown	Flash Code 8	ESD
Future Use	Flash Code 9	Future Use
Future Use	Flash Code 10	Future Use
FP1 Sensor Error	Flash Code 11	Future Use

5 SPEED ECM MOTOR LOW VOLTAGE CONNECTIONS					
Model	TAP-1	TAP-2	TAP-3	TAP-4	TAP-5
024	BLUE	RED		TAN	GRAY
036	BLUE	RED		TAN	GRAY
048	BLUE	RED		TAN	GRAY
060	BLUE	RED		TAN	GRAY
072	BLUE	RED		TAN	GRAY



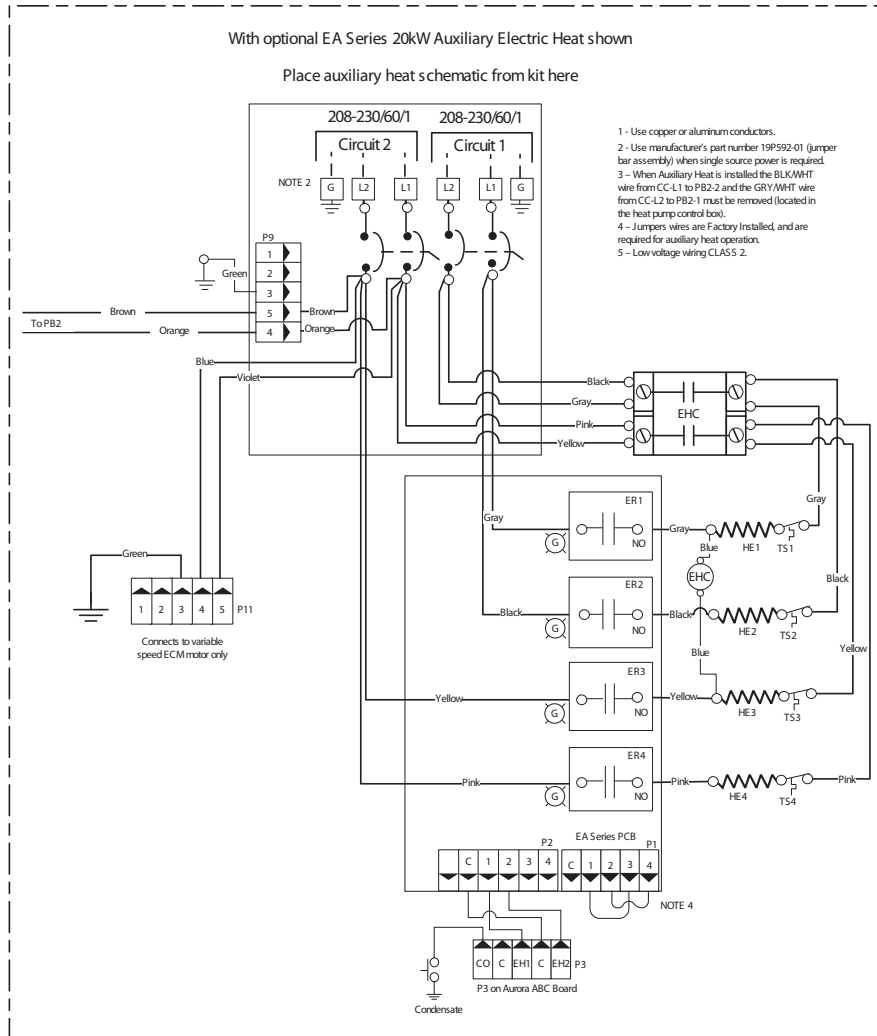
# Wiring Schematics cont.

## Aurora BASE with 5 Speed ECM and IntelliStart



# Wiring Schematics cont.

## Aurora BASE with 5 Speed ECM and IntelliStart



- 1 - Use copper or aluminum conductors.
- 2 - Use manufacturer's part number 19P592-01 (Jumper bar assembly) when single source power is required.
- 3 - When Auxiliary Heat is installed the BLKWH wire from CC-L1 to PB2-2 and the GRWHT wire from CC-L2 to PB2-1 must be removed (located in the heat pump control box).
- 4 - Jumpers wires are Factory Installed, and are required for auxiliary heat operation.
- 5 - Low voltage wiring CLASS 2.

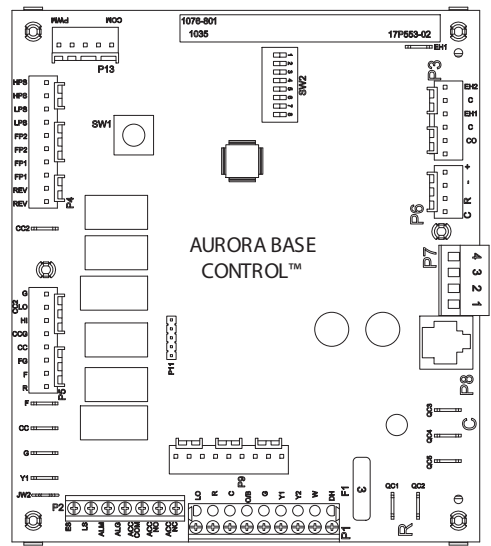
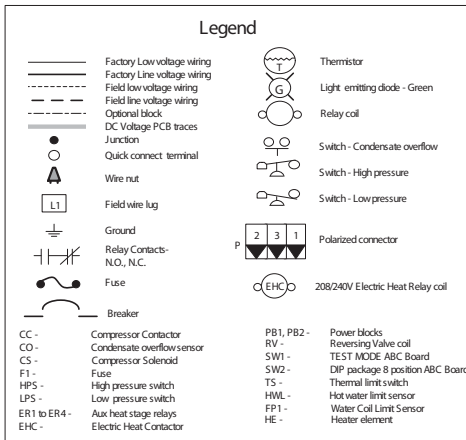
- Notes
- 1 - Switch blue and red wires for 208V operation.
  - 2 - The blkwh and graywh wires are removed when Aux Heat is installed
  - 3 - Refer to units X13 MOTOR LOW VOLTAGE CONNECTION table for factory settings.
  - 4 - Wires provided for Auxiliary Heat low voltage control. When connected the Auxiliary Heat powers blower and controls. Wires are secured at blower.
  - 5 - Field installed SPST relay required for dual fuel installation.
  - 6 - All low voltage wiring CLASS 2
  - 7 - Use copper or aluminum conductors

Aurora Timing Events		
Event	Normal Mode	Test Mode
Random Start Delay	5 to 80 seconds	1 second
Compressor On Delay	5 seconds	< 1 second
Compressor Minimum On Time	2 minutes	5 seconds
Compressor Short Cycle Delay	4 minutes	15 seconds
Blower Off Delay	30 seconds	2 seconds
Fault Recognition Delay - High Pressure	Less than 1 second	Less than 1 second
Start-Up Bypass - Low Pressure	2 minutes	30 seconds
Fault Recognition Delay - Low Pressure	30 seconds	30 seconds
Start-Up Bypass - Low Water Coil Limit	2 minutes	30 seconds
Fault Recognition Delay - Low Water Coil Limit	30 seconds	30 seconds
Fault Recognition Delay - Condensate Overflow	30 seconds	30 seconds
Thermostat Call Recognition Time	2 seconds	2 seconds
Comfort Alert Recognition Time	90 seconds	90 seconds
Auxiliary Heat Staging Delay	5 minutes	20 seconds
Emergency Heat Staging Delay	2 minutes	7.5 seconds
Water Valve Slow Open Delay	90 seconds	90 seconds

Aurora LED Flash Codes			
Slow Flash	1 second on and 1 second off		
Fast Flash	100 milliseconds on and 100 milliseconds off		
Flash Code	100 milliseconds on and 400 milliseconds off with a 2 second pause before repeating		
Random Start Delay (Alternating Colors)	Flash Code 2	Configuration LED (LED2, Yellow)	
Status LED (LED1, Green)	Fast Flash	No Software Override	OFF
Configuration LED (LED2, Yellow)	Fast Flash	DIP Switch Override	Slow Flash
Fault LED (LED3, Red)	Fast Flash		
Fault LED (LED1, Red)		Status LED (LED3, Green)	
Normal Mode	OFF	Normal Mode	ON
Input Fault Lockout	Flash Code 1	Control is Non-Functional	OFF
High Pressure Lockout	Flash Code 2	Test Mode	Slow Flash
Low Pressure Lockout	Flash Code 3	Lockout Active	Fast Flash
Future Use	Flash Code 4	Dehumidification Mode	Flash Code 2
Freeze Detection - FP1	Flash Code 5	Future Use	Flash Code 3
Reserved	Flash Code 6	Future Use	Flash Code 4
Condensate Overflow Lockout	Flash Code 7	Load Shed	Flash Code 5
Over/Under Voltage Shutdown	Flash Code 8	ESD	Flash Code 6
Future Use	Flash Code 9	Future Use	Flash Code 7
Future Use	Flash Code 10		
FP1 Sensor Error	Flash Code 11		

ABC SW2 Accessory Relay		
DESCRIPTION	SW2-4	SW2-5
Cycle with Blower	ON	ON
Cycle with Compressor	OFF	OFF
Water Valve Slow Opening	ON	OFF
Cycle with Comm. T-stat Hum Cmd	OFF	ON

5 SPEED ECM MOTOR LOW VOLTAGE CONNECTIONS					
Model	TAP-1	TAP-2	TAP-3	TAP-4	TAP-5
024	BLUE	RED		TAN	GRAY
036	BLUE	RED		TAN	GRAY
048	BLUE	RED		TAN	GRAY
060	BLUE	RED		TAN	GRAY
072	BLUE	RED		TAN	GRAY





## Engineering Guide Specifications

### General

Furnish and install WaterFurnace Water Source Heat Pumps, as indicated on the plans. Equipment shall be completely assembled, piped and internally wired. Capacities and characteristics as listed in the schedule and the specifications that follow. The reverse cycle heating/cooling units shall be either suspended type with horizontal air inlet and discharge or floor mounted type with horizontal air inlet and vertical upflow air discharge. Units shall be AHRI/ISO 13256-1 certified and listed by a nationally recognized safety-testing laboratory or agency, such as ETL Testing Laboratory. Each unit shall be computer run-tested at the factory with conditioned water and operation verified to catalog data. Each unit shall be mounted on a pallet and shipped in a corrugated box or stretch-wrapped. The units shall be designed to operate with entering liquid temperature between 20°F and 120°F [-6.7°C and 48.9°C].

### Casing and Cabinet

The cabinet shall be fabricated from heavy-gauge galvanized steel and finished with corrosion-resistant powder coating. This corrosion protection system shall meet the stringent 1000 hour salt spray test per ASTM B117. The interior shall be insulated with 1/2-inch thick, multi-density, cleanable aluminum foil coated glass fiber with edges sealed or tucked under flanges to prevent the introduction of glass fibers into the discharge air. Standard cabinet panel insulation must meet NFPA 90A requirements, air erosion and mold growth limits of UL-181, stringent fungal resistance test per ASTM-C1071 and ASTM G21, and shall meet zero level bacteria growth per ASTM G22. Unit insulation must meet these stringent requirements or unit(s) will not be accepted.

One (horizontal) to two (vertical) blower and three compressor compartment access panels shall be 'lift-out' removable with supply and return ductwork in place. The front access panel shall be lift-out to provide easy access to the electrical/compressor section. The internal component layout shall provide for service access from the front side for restricted installations.

A duct collar shall be provided on the supply air opening. A duct flange shall be provided for the return air opening. Standard size 1 in. [2.5 cm] MERV 8 pleated filters shall be optional with filter rack or filter rails. The upflow vertical units shall have a removable insulated divider panel between the air handling section and the compressor section to minimize the transmission of compressor noise and to permit operational service testing without air bypass. Vertical units shall be supplied with left or right horizontal air inlet and top air discharge. Horizontal units shall be supplied with left or right air inlet and side or end air discharge.

The compressor shall be double isolation mounted using selected durometer grommets to provide vibration free compressor mounting.

The drain pan shall be of plastic construction to inhibit corrosion and bacterial growth. Drain outlet shall be located on pan as to allow complete and unobstructed drainage of condensate. The unit as standard will be supplied with solid-state electronic condensate overflow protection. Mechanical float switches WILL NOT be accepted. Vertical units shall be furnished with a PVC slip condensate drain connection and an internal factory installed condensate trap.

### Refrigerant Circuit

All units shall contain a sealed refrigerant circuit including a hermetic motor-compressor, discharge line muffler, bidirectional thermostatic expansion valve, all aluminum finned tube air-to-refrigerant heat exchanger, reversing valve, coaxial tube water-to-refrigerant heat exchanger, optional hot water generator coil, and service ports.

Compressors shall be high-efficiency dual capacity scroll type designed for heat pump duty and mounted on vibration isolators. Compressor motors shall be single-phase PSC with overload protection. The coil shall be sized for low-face velocity and constructed of lanced aluminum fins bonded to aluminum tubes in a staggered pattern not less than three rows deep for enhanced performance. Models shall include discharge mufflers to help quiet compressor discharge gas pulsations. Refrigerant to air heat exchangers shall utilize aluminum tube construction rated to withstand 600 psig (4135 kPa) refrigerant working pressure.

The coaxial water-to-refrigerant heat exchanger shall be designed for low water pressure drop and constructed of a convoluted copper (cupronickel option) inner tube and a steel outer tube. Refrigerant to water heat exchangers shall be of copper inner water tube and steel refrigerant outer tube design, rated to withstand 600 psig (4135 kPa) working refrigerant pressure and 450 psig (3101 kPa) working water pressure. The thermostatic expansion valve shall provide proper superheat over the entire liquid temperature range with minimal "hunting." The valve shall operate bidirectionally without the use of check valves.

All units shall have the source coaxial tube refrigerant-to-water heat exchanger and the optional hot water generator coil shall be coated with ThermaShield. Refrigerant suction lines shall be insulated to prevent condensation at low liquid temperatures.

### Blower Motor and Assembly

The blower shall be a direct drive centrifugal type with a dynamically balanced wheel. The housing and wheel shall be designed for quiet low outlet velocity operation. The blower housing shall be removable from the unit without disconnecting the supply air ductwork for servicing of the blower motor. The blower motor shall be a 5-speed ECM.



## Engineering Guide Specifications cont.

The ECM blower motor shall be soft starting, and shall provide 5 TAP settings. The blower motor shall be isolated from the housing by rubber grommets. The motor shall be permanently lubricated and have thermostatic overload protection. 5-speed ECM motors shall be long-life ball bearing type.

### Electrical

A control box shall be located within the unit compressor compartment and shall contain a 75VA transformer, 24 volt activated, 2 pole compressor contactor, circuit breakers for protecting loop pumps, terminal block for thermostat wiring, and solid-state controller for complete unit operation. Electromechanical operation WILL NOT be accepted. Units shall be name-plated for use with time delay fuses or HACR circuit breakers. Unit controls shall be 24 volt and provide heating or cooling as required by the remote thermostat/sensor. An Aurora, a microprocessor-based controller, interfaces with a multi-stage electronic thermostat to monitor and control unit operation shall be provided. The control shall provide operational sequencing, blower speed control, blower failure, high and low pressure switch monitoring, freeze detection, condensate overflow sensing, auxiliary heat staging, lockout mode control, and loop pump control, LED status and fault indicators, fault memory, field selectable options, and accessory output. The Lockout signal output shall have a pulsed option so that DDC systems can read specific lockout conditions from the control.

A detachable terminal block with screw terminals will be provided for field control wiring. All units shall have knockouts for entrance of low and line voltage wiring. The blower motor and control box shall be harness plug wired for easy removal.

An optional Aurora Interface Diagnostic (AID) Tool shall communicate with the Aurora control allowing quick and easy access to setup, monitoring, and troubleshooting of any Aurora control. The device shall include the features of fault description and history, manual operation capability, sensor readings, timings, and other diagnostic tools.

**Optional IntelliStart® (compressor Soft Starter)** shall be factory installed for use in applications that require low starting amps, reduced compressor start-up noise, off-grid, and improved start-up behavior. IntelliStart shall reduce normal starting current by up to 60%.

### Piping

Supply and return water connections shall be 1 in. [25.4 mm] FPT brass swivel fittings, which provide a union and eliminate the need for pipe wrenches and sealants when making field connections. The optional hot water generator shall have sweat type connections. All water piping shall be insulated to prevent condensation at low liquid temperatures, on the vertical units, the condensate connection shall be a 3/4 in. [19.1 mm] PVC socket with internally-trapped hose that can be routed to front or side locations.

### Hanger Kit

#### (field-installed horizontal units only)

The hanger kit shall consist of galvanized steel brackets, bolts, lock washers, and isolators and shall be designed to fasten to the unit bottom panel for suspension from 3/8-inch threaded rods. Unit sizes 024-036 shall include four brackets. Unit sizes 048-072 shall include six brackets.

### Options and Accessories

#### Cupronickel Heat Exchanger

An optional cupronickel water-to-refrigerant heat exchanger shall be provided.

#### Hot Water Generator

An optional ThermaShield coated heat reclaiming hot water generator coil of vented double-wall copper construction suitable for potable water shall be provided. The coil and hot water circulating pump shall be factory mounted inside the unit with integral electronic high limit temperature monitoring and external on/off switch.

#### Thermostat (field-installed)

A multi-stage auto-changeover electronic digital thermostat shall be provided. The thermostat shall offer three heating and two cooling stages with precise temperature control. An OFF-HEAT-AUTO-COOL-EMERG system switch, OFF-AUTO blower switch, and indicating LEDs shall be provided. The thermostat shall display in °F or °C. The thermostat shall be either a communicating type or a traditional 24 VAC type.

#### Communicating Thermostat (field-installed)

A communicating auto-changeover electronic digital thermostat shall be provided. The thermostat shall offer variable speed heating and cooling staging with precise temperature control. An OFF-HEAT-AUTO-COOL-EMERG system switch, OFF-AUTO blower switch, and indicating display shall be provided. The thermostat shall display in °F or °C.

#### Communicating Color Touchscreen Thermostat (field-installed)

A color touchscreen communicating auto-changeover electronic digital thermostat shall be provided. The thermostat shall offer variable speed heating and cooling staging with precise temperature control. An OFF-HEAT-AUTO-COOL-EMERG system switch, OFF-AUTO blower switch, and indicating display shall be provided. The thermostat shall display in °F or °C.

#### Electronic Air Cleaner (field-installed)

A 1 in. [25 mm] electronic air cleaner, cleanable 97% efficiency at 0.3 microns and larger, shall be provided in lieu of the standard throwaway filter. The initial pressure drop across the filter shall not exceed 0.2 in. w.g. at 300 fpm force velocity.

## Engineering Guide Specifications cont.

---

### **Electrostatic Air Cleaner (field-installed)**

A 1 in. [25 mm] electrostatic air cleaner, cleanable 90% efficiency, shall be provided in lieu of the standard throwaway filter. The initial pressure drop across the filter shall not exceed 0.15 in. w.g. at 300 fpm force velocity.

### **AlpinePure Drain Pan Treatment (field-installed)**

Provides dependable, sustained time-release protection from slime build-up and foul smelling odors in the drain pan. Also adds a light, pleasant scent to the air.

### **Earth Loop Flow Center (field-installed)**

A self-contained module shall provide all liquid flow, fill and connection requirements for ground source closed loop systems up to 20 gpm. The pumps shall be wired to a power block located in the nearest unit. The heat pump units shall contain low voltage pump slaving control so that two units may share one flow center.

### **Auxiliary Heater (field-installed)**

An electric resistance heater shall provide supplemental and/or emergency heating capability. Vertical units shall have the control panel and resistance heater coil assembly mounted internally. For horizontal units, the control panel shall be mounted internally while the resistance heater coil assembly shall be mounted externally. A low voltage plug shall be provided in each unit for quick auxiliary heat connection. The heater shall operate in sequenced stages as controlled by the unit's microprocessor. The heater shall feed line voltage power to the unit blower and transformer to provide emergency heat capability in the event of an open compressor circuit breaker.

# Revision Guide

---

<b>Pages:</b>	<b>Description:</b>	<b>Date:</b>	<b>By:</b>
All	Literature Creation	18 Sept 2014	MA



Manufactured by  
WaterFurnace International, Inc.  
9000 Conservation Way  
Fort Wayne, IN 46809  
www.waterfurnace.com

