



 **Husqvarna**<sup>®</sup>



Z254

EN Operator's manual  
ES-MX Manual del usuario

2-29  
30-59

---

## Contents

---

Conformity certificates.....	2	Troubleshooting.....	23
Introduction.....	2	Transportation, storage and disposal.....	25
Safety.....	6	Technical data.....	26
Operation.....	11	Service.....	28
Maintenance.....	14	Appendix .....	60

---

## Conformity certificates

---

### USA requirements

Labels are placed on the engine and/or in the engine compartment stating that the machine will fulfill the requirements. Do not remove these labels. Certificates can also be supplied with the machine at

delivery or written in the Engine manual. Take care of them as they are valuable documents.

To implement improvements, specifications and designs can be altered without prior notification.

---

## Introduction

---

### Pre-delivery inspection and product numbers

A pre-delivery inspection has been done of this product. Make sure that you receive a signed copy

of the pre-delivery inspection document from your dealer.

Service agent contact information:	
This operator's manual is for product with product number / serial number:	
/	
Engine:	
Transmission:	

The product numbers are found on the type plate. Refer to *Product overview on page 3* for the location of the type plate.

the speed of the product. An hour meter shows how many hours the product has been used.

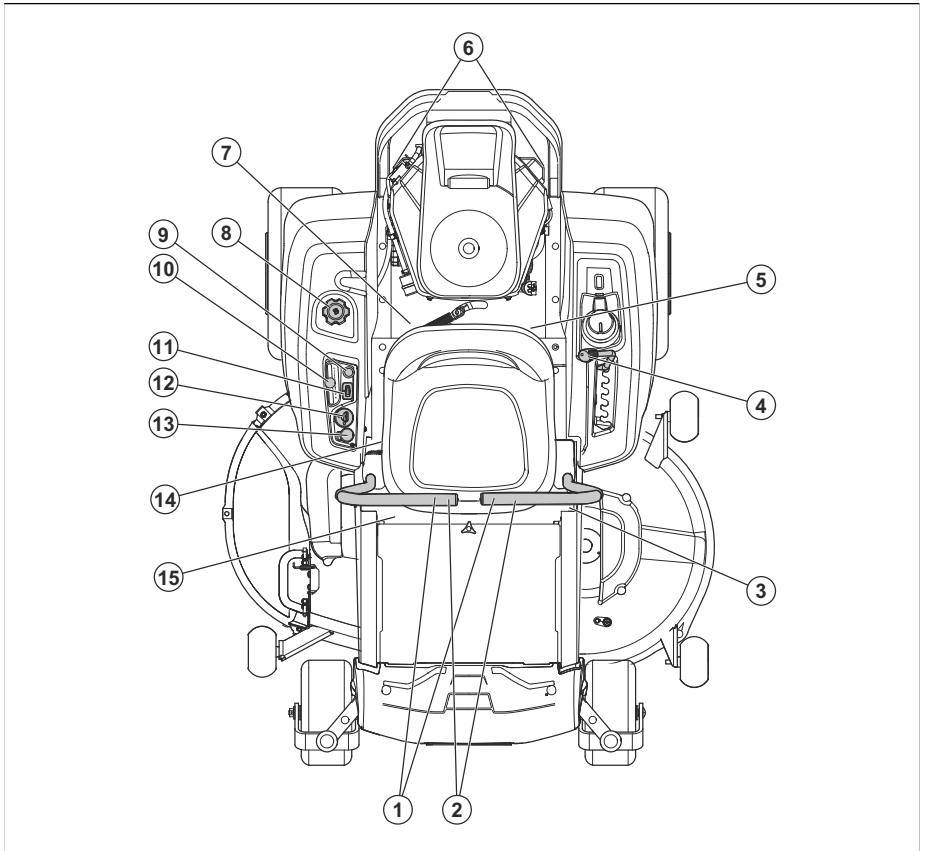
### Product description

This product is a ride-on lawn mower. The control levers let the operator steer the product and adjust

### Intended use

The product is made to cut grass on open and level ground only. Do not use the product for other tasks.

## Product overview



1. Control levers
2. Parking brake
3. Tracking control
4. Deck lifting lever
5. Fuses
6. Bypass linkage
7. Fuel shut-off valve
8. Fuel tank
9. Choke control
10. Throttle control
11. Hour meter
12. Ignition switch
13. PTO button
14. Seat adjustment lever
15. Type plate

### Steering controls

The direction of the product is controlled by the 2 control levers. Refer to *Product overview on page 3*. The control levers can be moved forward and

rearward from a neutral position. Refer to *To operate the product on page 13*.

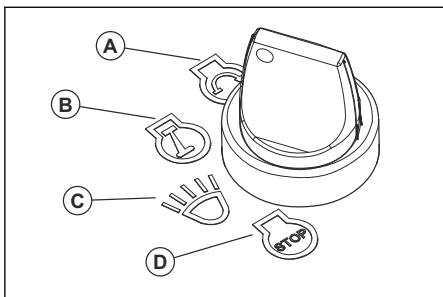
### Operator Presence Control (OPC)

The OPC engages when the operator lifts from the seat. The engine and the drive to the blades stop if the blades are engaged or the parking brake is not applied. Refer to *Operation conditions on page 8*.

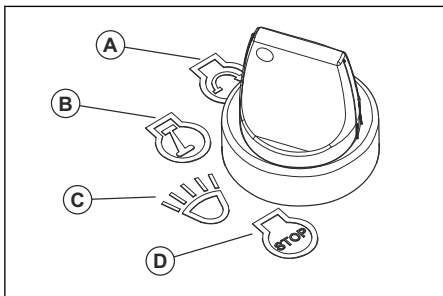
### Ignition key

The ignition key has 4 positions:

- Start position (A)
- Run position (B)
- Headlight position (C)
- Stop position (D)



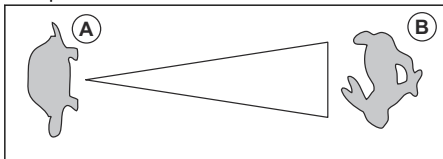
## Headlights



- Turn the ignition key to the headlight position (C) to operate the product with the headlights on.
- Turn the ignition key to the run position (B) to operate the product with the headlights off.

## Throttle control

The throttle control adjusts the speed of the engine and the speed of the blades if the blades are engaged. The throttle control has 2 end positions, idle speed and full throttle.



- Idle speed (A) - decreases the engine speed.
- Full throttle (B) - increases the engine speed.

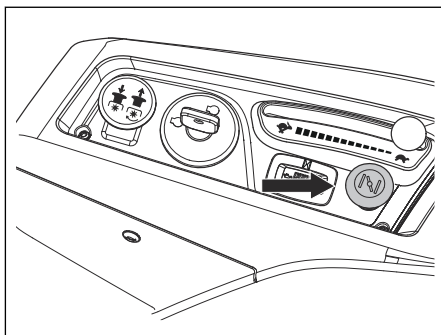


**CAUTION:** Do not operate the engine at idle speed (A) for longer time than necessary. Too much operation time at idle speed can decrease the life of the spark plugs.

## Choke control

The choke control is used for cold starts to supply more fuel to the engine. Pull up the choke control when you start a cold engine.

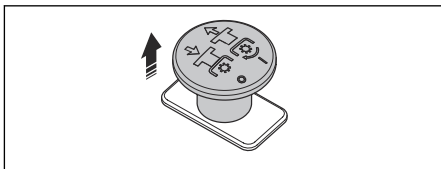
Refer to *Product overview on page 3* for the position of the choke control.



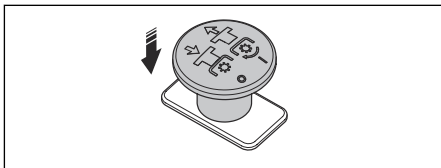
## PTO (Power Take-Off) button

The PTO button engages and disengages the PTO clutch and the cutting deck or other equipment connected to it. The correct start conditions must be obeyed to engage the drive of the blades. Refer to *Operation conditions on page 8* for the correct start conditions.

- Pull the PTO button out to engage the drive to the blades or other equipment.



- Push the PTO button in to disengage the drive to the blades or other equipment.



## Fuel shut-off valve

Refer to *Product overview on page 3* for the position of the fuel shut-off valve.

The fuel shut-off valve is closed when the tab on the knob is perpendicular to the fuel line.

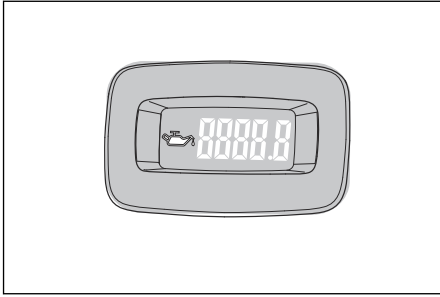
## Fuses

The location of the fuses is in the fuse box. The fuse box is below the seat. Tilt the seat forward to get access the fuse box. Refer to the decal on the fuse box for identification of the different fuses.

## Hour meter

The product has an hour meter that show how many hours of operation that the blades have been

engaged. Refer to *Product overview on page 3* for the position of the hour meter.



Each 50 hours an oil level symbol will show for 2 hours. Refer to *To do a check of the engine oil level on page 20*.

### Symbols on the product



**WARNING:** This product can be dangerous and cause serious injury or death to the operator or others. Be careful and use the product correctly.



Use protective glasses.



Parking brake.



Engine speed – fast.



Slow.



Fuel.



Use protective gloves.



Stop the engine before maintenance.



Do not operate the product without deflector or grass catcher.



Always use approved hearing protection.



Do not put your foot here.

**N**

Neutral gear.

**R**

Reverse gear.



Read the operator's manual carefully and make sure that you understand the instructions before you use the product.



Keep a safe distance from the product.



Do not operate the product on slopes larger than 10°.



Do not keep passengers.



Look out for ejecting objects and ricochets.



Keep hands and feet clear.



Keep hands away from rotating parts.



Look out for persons and animals when you operate the product forward.



Look out for persons and animals when you operate the product rearward.



Choke control.



Cutting height low.



Cutting height high.



Keep away from the discharge deck.



Warning! Battery acid is corrosive, explosive and flammable.



Keep body parts away from rotating parts.

yyyywwxxxx

The rating plate shows serial number. **yyyy** is the production year and **ww** is the production week.

**Note:** Other symbols/decals on the product refer to certification requirements for some commercial areas.

## Product damage

We are not responsible for damages to our product if:

- the product is incorrectly repaired.
- the product is repaired with parts that are not from the manufacturer or not approved by the manufacturer.
- the product has an accessory that is not from the manufacturer or not approved by the manufacturer.
- the product is not repaired at an approved service center or by an approved authority.

## Safety

### Safety definitions

Warnings, cautions and notes are used to point out specially important parts of the manual.



**WARNING:** Used if there is a risk of injury or death for the operator or bystanders if the instructions in the manual are not obeyed.



**CAUTION:** Used if there is a risk of damage to the product, other materials or the adjacent area if the instructions in the manual are not obeyed.

**Note:** Used to give more information that is necessary in a given situation.

### General safety instructions



**WARNING:** Read the warning instructions that follow before you use the product



**WARNING:** Failure to follow cautious operating practices can result in dangerous injury to the operator or other persons. The owner must understand these instructions, and must let only

approved persons who understand these instructions to operate the mower. Each person operating the mower must be of sound mind and body and must not be under the influence of mind altering substances.



**WARNING:** This product is capable of amputating hands and feet and throwing objects. Failure to observe the following safety instructions could result in serious injury or death.

- Read, understand, and follow instructions and warnings in this document, the operator's manual and on the product, engine and attachments.
- Only allow operators, who are responsible, trained, familiar with the instructions, and physically capable to operate the product.
- Make sure to inform a person that you are going to operate the product if an injury or accident occurs.
- Do not carry passengers and keep bystanders away.
- Do not operate the product while under the influence of alcohol or drugs.
- Follow the manufacturer's recommendation for wheel weights or counterweights.
- Learn how to use the product and its controls safely and learn how to stop the product quickly.
- Learn to recognize the safety decals.

- Keep the product clean to make sure that you can clearly read signs and stickers.
- Keep in mind that the operator will be held responsible for accidents that involve other persons or their property.
- Only use the product in daylight or in other well-lit conditions. Keep the product at a safe distance from holes or other irregularities in the ground. Look out for other possible risks.
- Do not let children or other persons not approved for operation of the product to use or do servicing on it. Local laws may regulate the age of the user.
- Make sure that nobody else is in the vicinity of the product when you start the engine, engage the drive or start to move the product.
- Keep an eye on the traffic when you mow near a road or move across a road.
- Do not use the product if you are fatigued, while under the influence of alcohol or drugs, medicine or anything that can have a negative effect on your vision, alertness, coordination or judgement.
- Always park the product on a level surface with the engine stopped.
- Do not make modifications to this product.
- Do not operate the product if it is possible that other persons have made modifications to the product.

### Safety instructions regarding children



**WARNING:** Children can be seriously injured or killed by this product. Read the warning instructions that follow before you use the product. Keep children away.

- Tragic accidents can occur if the operator is not alert to the presence of children. Children are often attracted to the product and the mowing activity. Never assume that children will remain where you last saw them.
- Keep children out of the operating area and under the watchful care of a responsible adult other than the operator.
- Keep an eye out and stop the product immediately, if children enter the work area. Be very careful near corners, bushes, trees or other objects that prevents a clear view.
- Use extreme care when going near blind corners, shrubs, trees, or other objects that can block your view of a child.
- Before and while you move the product in reverse, look behind you and look down for small children.
- Do not let children operate the product.
- The American Academy of Paediatrics recommends that children be a minimum of 16 years of age before operating a riding lawn mower.

### Safety instructions for operation



**WARNING:** Read the warning instructions that follow before you use the product.



**WARNING:** Do not touch the engine or exhaust system during or directly after operation. The engine and the exhaust system become very hot during operation. Risk of burn injuries, fire and damage to property or adjacent areas. When you operate the product, keep away from bushes and other objects.

- Only operate the engine in well ventilated areas. Exhaust gases contain carbon monoxide, a deadly poison.
- Only operate the product in daylight or good artificial light.
- Clear the area of objects such as stones, toys, wires, etc. that may become caught in the blades and be thrown out.
- Avoid holes, ruts, bumps, rocks, or other hidden hazards. Uneven terrain could overturn the product, or cause operator to lose their balance or footing.
- Do not put hands or feet near rotating parts or under the product. Keep clear of the discharge opening at all times.
- Do not operate the product without the full grass catcher, discharge guard, or other safety devices in place and working.
- Do not direct discharge material toward anyone. Avoid discharging material against a wall or obstruction. Material may ricochet back toward the operator. Stop the blade(s) when crossing gravel surfaces.
- Do not leave a running product unattended. Always park on level ground, disengage the attachment, set parking brake, and stop engine/motor.
- Do not mow in reverse unless absolutely necessary. Always look down and behind before and while backing.
- Decrease speed before turning.
- Decrease the speed before you turn around a corner.
- Data shows that operators age 60 years and above are involved in a large percentage of riding mower-related injuries. These operators must evaluate if they can safely operate the

riding mower sufficiently to protect themselves and others from injury.

## Safety instructions for operation on slopes



**WARNING:** Read the warning instructions that follow before you use the product.

Slopes are a major factor related to accidents. Operation on slopes requires extra caution.

- Travel in the manufacturer recommended direction on slopes. Use caution while operating near dropoffs.
- Avoid mowing wet grass. The tires can lose traction.
- Do not operate product under any condition where traction, steering, or stability is in question. Tires could slide even if the wheels are stopped.
- Always keep the product in gear when going down slopes. Do not coast downhill.
- Avoid starting and stopping on slopes. Avoid making sudden changes in speed or direction. Make turns slowly and gradually.
- If the tires lose traction, disengage the blades and continue slowly straight down the slope.
- Use extra care while operating product with a grass catcher or other attachment(s). They can affect the stability of the product.
- To cut grass on slopes increases the risk that you can not control the product and that it overturns. This can cause injury or death. It is necessary to cut the grass carefully on all slopes. If you cannot reverse up a slope or if you do not feel safe, do not cut it.
- Remove stones, branches and other obstacles.
- Cut the grass on the slope up and down, not from side to side.
- Do not operate the product on ground that slopes more than 10°.
- Move smoothly and slowly on slopes.
- Look out for and do not move across furrows, holes and bumps. There is a higher risk that the product overturns on ground that is not flat. Long grass can hide obstacles.
- Do not cut grass near edges, ditches or banks. Keep at least the width of the machine away from these hazards. The product can suddenly overturn if a wheel moves across the edge of a steep slope or a ditch, or if an edge gives way.

## Personal protective equipment

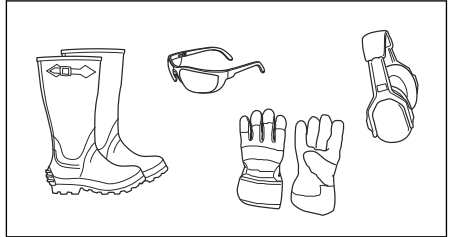


**WARNING:** Read the warning instructions that follow before you use the product.

- Use approved personal protective equipment when you use the product. Personal protective equipment cannot fully prevent injury but it decreases the degree of injury if an accident

does occur. Let your dealer help you select the right equipment.

- Always wear approved hearing protection. Long term exposure to noise can result in permanent hearing impairment.
- Always wear safety glasses or eye protection while you operate the product or do maintenance or repairs.
- Always wear protective shoes or protective boots. Steel toes are recommended. Do not use the product barefoot.



- Wear gloves when necessary, for example when you attach, examine or clean the cutting equipment.
- Do not wear loose-fitting clothing, jewelry or other items that can get caught in moving parts.
- Do not wear shorts when you operate the product.
- Keep first aid equipment and fire extinguisher close at hand.

## Safety devices on the product



**WARNING:** Read the warning instructions that follow before you use the product.

- Do not use a product with safety devices that are damaged or do not operate correctly. Do a check of the safety devices regularly. If the safety devices are damaged, speak to your Husqvarna service agent.
- Do not make modifications on safety devices. Do not use the product if protective plates, protective covers, safety switches or other protective devices are not attached or are damaged.

### To do a check of the ignition key

- Start and stop the engine to do a check of the ignition key. Refer to *To start the engine on page 12* and *To stop the engine on page 14*.
- Make sure that the engine starts when you turn the ignition key to start position.
- Make sure that the engine stops immediately when you turn the ignition key to stop position.

### Operation conditions

These conditions are necessary to start the engine:

- The control levers are in the neutral position.



- The parking brake is applied.
- The drive of the blades is disengaged.
- The OPC is pushed down.

The engine must stop in these situations:

- The parking brake is not applied and the operator lifts from the seat.
- The drive of the blades is engaged and the operator lifts from the seat.

Try to start the engine without 1 of the conditions. Change the conditions and try again. Do this check daily.

### Parking brake



**WARNING:** If the parking brake does not work, the product can start to move and cause injury or damage. Make sure that the parking brake is regularly examined and adjusted.

Refer to *To do a check of the parking brake on page 16.*

### Muffler



**WARNING:** Do not use the product if the muffler is missing or damaged. A muffler that is damaged or missing increases the noise level and the risk of fire.

The muffler keeps the noise levels to a minimum and sends the exhaust fumes away from the operator.

Examine the muffler regularly to make sure that it is attached correctly and not damaged.



**WARNING:** The muffler becomes very hot during and after use and when the engine operates at idle speed. Be careful near flammable materials and/or fumes to prevent fire.

### To do a check of the muffler

- Examine the muffler regularly to make sure that it is attached correctly and not damaged.

### Spark arrestor

This product has an internal-combustion engine. Do not use the product near vegetation without a spark arrestor that is approved by local or state laws. Federal laws apply on federal lands.

A spark arrestor for the muffler is available through your approved Husqvarna dealer.

### Protective covers

Missing or damaged protective covers increase the risk of injury on moving parts and hot surfaces. Do

a check of the protective covers before you operate the product. Make sure that the protective covers are correctly attached and do not have cracks or other damages. Replace damaged covers.

### Fuel safety



**WARNING:** Read the warning instructions that follow before you use the product.



**WARNING:** Be careful with fuel. It is very flammable, and can cause injury and damage to property.

- Extinguish all cigarettes, cigars, pipes and other sources of ignition.
- Use only an approved fuel container.
- Do not remove fuel cap or add fuel with the engine running or while hot.
- Do not refuel indoors or in enclosed spaces.
- After refueling, replace the gas cap and tighten securely.
- Do not store the product or fuel container, or refuel, where there is an open flame, spark, or pilot light such as on a water heater or other appliance.
- If you spill fuel on your clothing, change clothing immediately.
- If fuel is spilled, do not attempt to start the engine and avoid creating any source of ignition until fuel vapors have dissipated.
- To help prevent fires: keep product free of grass, leaves, or other debris build up; clean up oil or fuel spillage and remove any fuel soaked debris; allow product to cool before storing.
- Use extra care in handling gasoline and other fuels. They are flammable and vapors are explosive.
- Gasoline and gasoline fumes are poisonous and very flammable. Be careful with gasoline to prevent injury or fire.
- Let the engine become cool before you refuel.
- Do not fill fuel near sparks or naked flames.
- If there are leaks in the fuel system, do not start the engine until the leaks are repaired.
- Do not fill above recommended fuel level. The heat from the engine and the sun makes the fuel expand and the fuel overflows if the tank is filled too much.
- Store the product and fuel in such a way that there is no risk that fuel leaks or fumes can cause damage.

### Transport safety

- Use an approved transport vehicle for transportation of the product.
- The product is heavy and can cause crush injuries. Be careful when you load it onto or off a vehicle or trailer.

- A markets national or local regulations can set limit to the transportation of the product.
- The operator of the transport vehicle is responsible to attach the product safely during transport. Refer to *Transportation on page 25*.

### Hauling

- Use full width ramps for loading and unloading a product for transport.

### Tow safety

- Follow the manufacturer's recommendation for weight limits for towed equipment and towing on slopes.
- Only use tow equipment approved by Husqvarna.
- Use the tow bar to attach the equipment.
- Make sure that no other persons are near the product when you tow equipment.
- Do not let children or others in or on the towed equipment.
- Do not tow on slopes or rough ground. The weight of the towed equipment can cause loss of traction and loss of control.

### Battery safety



**WARNING:** A damaged battery can cause an explosion and cause injury. If the battery has a deformation or is damaged, speak to an approved Husqvarna service agent.



**WARNING:** Read the warning instructions that follow before you use the product.

- Use protective glasses when you are near batteries.
- Do not wear watches, jewelry or other metal objects near the battery.
- Keep the battery out of reach for children.
- Charge the battery in a space with good airflow.
- Keep flammable materials at a minimum clearance of 1 m when you charge the battery.
- Discard replaced batteries. See *Disposal on page 25*.
- Explosive gases can come from the battery. Do not smoke near the battery. Keep the battery away from open flames and sparks.

### Safety instructions for maintenance



**WARNING:** Read the warning instructions that follow before you use the product.



**WARNING:** The product is heavy and can cause injury or damage to property or the adjacent area. Do not do maintenance on the engine or the cutting deck without these conditions:

- The engine is off.
- The product is parked on a level surface.
- The parking brake is applied.
- The ignition key in stop position and removed.
- The blades are disengaged.
- All moving parts have stopped.
- The ignition cables are removed from the spark plugs.



**WARNING:** Fluid escaping under pressure may have sufficient force to penetrate skin and cause serious injury. If fluid is injected into the skin, seek immediate medical attention. Keep body and hands away from pin holes or nozzles that eject fluid under high pressure. If a leak occurs, have the product immediately serviced by a trained technician.



**WARNING:** The exhaust fumes from the engine contain carbon monoxide, an odorless, poisonous and very dangerous gas. Do not run the product in closed spaces or spaces with no sufficient air flow.

- Keep the product in good working order. Replace worn or damaged parts.

Use caution when servicing blades. Wrap the blade(s) or wear gloves. Replace damaged blades. Do not repair or alter blade(s).

If equipped, disconnect spark plug wire(s) and the negative battery cable before making any repairs.

For best performance and safety, do maintenance on the product regularly as given in the maintenance schedule. Refer to *Maintenance schedule on page 14*.

- Electrical shocks can cause injuries. Do not touch the cables when the engine is on. Do not do a function test on the ignition system with your fingers.
- Let the product become cool before you do maintenance near the engine.
- The blades are sharp and can cause cuts. Wind protection around the blades or use protective gloves when you do work on the blades.
- Do not turn the engine over if the spark plug or ignition cable is removed.

- Make sure that all nuts and bolts are tightened correctly and that the equipment is in good condition.
- Do not change the adjustment of governors. If the engine speed is too high, the product

- components can become damaged. Refer to *Technical data on page 26* for highest permitted engine speed.
- The product is approved only with the equipment supplied or recommended by the manufacturer.

---

## Operation

---

### Introduction



**WARNING:** Before you operate the product, you must read and understand the safety chapter.



**WARNING:** The engine and the exhaust system become very hot during operation. Risk of burn injury. Let the engine and the exhaust system become cool before you fill fuel in the product.

### To operate the product for the first time



**WARNING:** Before you operate the product for the first time, you must read and understand this chapter.



**WARNING:** Do not use the fuel tank as a support area.

- Use a decreased throttle speed and a decreased ground speed when you operate the product for the first time.
- Do not move the control levers to the fully forward position or the fully reverse position during the initial operation.
- Learn how to operate the movement of the product on a hard surface, for example concrete or asphalt, before you operate the product on a lawn for the first time.



**CAUTION:** Incorrect type of fuel can result in engine damage.

The engine runs on gasoline with a minimum octane rating of 91 RON (87 AKI), not mixed with oil. We recommend biodegradable alkylate gasoline.

- Do a check of the fuel level before each use and refuel if it is necessary.
- Do not fill the fuel tank fully. Fill to the bottom of the fuel tank neck.

### To do before you operate the product



**WARNING:** Before you operate the product, you must read and understand the safety chapter.

### To adjust the seat

The position of the seat can be moved forward or rearward.

**Note:** Do not make adjustments to the seat when the product is in operation.



**WARNING:** Before you operate the product, you must make sure that there are no stones or other objects in the work area that can be thrown by the rotating blades.

- Pull the lever below the seat up and push the seat forward or rearward.

- Do the daily maintenance. Refer to *Maintenance schedule on page 14*.
- Make sure that there is sufficient fuel in the fuel tank.
- Set the cutting height. Refer to *To set the cutting height on page 12*.



### To fill fuel



**WARNING:** Gasoline is very flammable. Be careful and refuel outdoors, refer to *Fuel safety on page 9*.

### To fold the seat

The seat can be folded forward to get access to the battery and hydrostatic gears.

1. Park the product on level ground.
2. Push the seat forward to fold the seat forward.

## To engage and disengage the parking brake

This product has no dedicated parking brake lever. The parking brake is integrated in the 2 control levers.

- Push the 2 control levers away from the seat at the same time to engage the parking brake. Refer to *Product overview on page 3* for the location of the control levers.

---

**Note:** The product must be stationary when you engage the parking brake.

---

**Note:** The engine will stop if you do not push the 2 control levers away from the seat at the same time.

- Pull the 2 control levers in the direction of the seat to disengage the parking brake.

## To disengage and engage the drive system



**CAUTION:** Only disengage or engage the drive system when the product is parked on level ground.

If it is necessary to move the product by hand, with the engine off, the drive system must be disengaged. The drive system is disengaged and engaged by the bypass linkage. The bypass linkages are found below the rear engine guard.

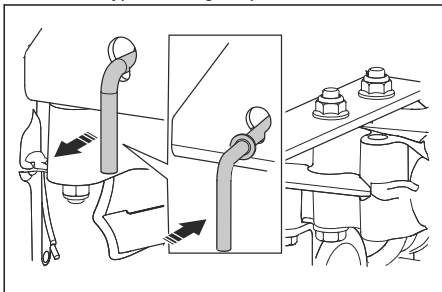
Follow the procedure below to disengage the drive system.

1. Park the product on level ground and stop the engine.



**WARNING:** Let the engine become cool before you disengage or engage the drive system.

2. Remove the ignition key.
3. Set the cutting deck to transport position.
4. Set the control levers to neutral position.
5. Pull the bypass linkages up and out of the slots.



6. Engage the drive system in opposite sequence.

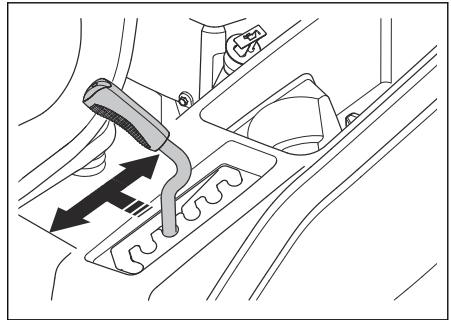
## To set the cutting deck in transport position or mow position

The cutting deck must be in transport position during transportation.

- To set the product in transport position, pull the cutting height lever in the direction of the seat and put it in the highest cutting height position.
- To set the product in mow position, set the correct cutting height. Refer to *To set the cutting height on page 12*.

## To set the cutting height

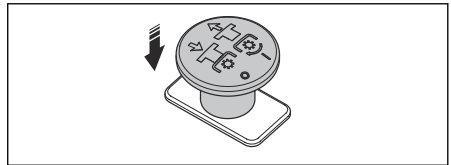
1. Pull the cutting height lever in the direction of the seat.



2. Steer the cutting height lever to the notch for the correct cutting height.

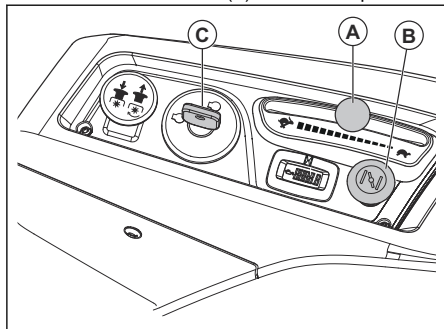
## To start the engine

1. Sit on the seat.
2. Push the PTO button to disengage the drive on the cutting deck.



3. Set the cutting deck in transport position. Refer to *To set the cutting deck in transport position or mow position on page 12*.
4. Engage the parking brake. Refer to *To engage and disengage the parking brake on page 12*.

5. Move the throttle lever (A) to ½ throttle position.



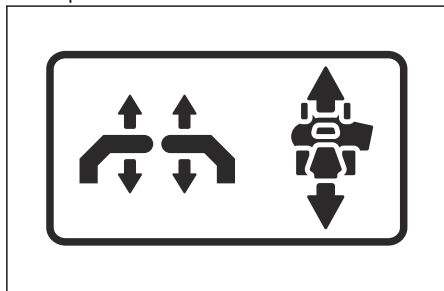
6. If the engine is cold, pull the choke control (B) up.
7. Press and turn the ignition key (C) to the start position.
8. When the engine starts, immediately release the ignition key to the run position.

**Note:** Do not keep the ignition key in the start position for more than 5 seconds at a time. If the engine does not start, wait 15 seconds before you try again.

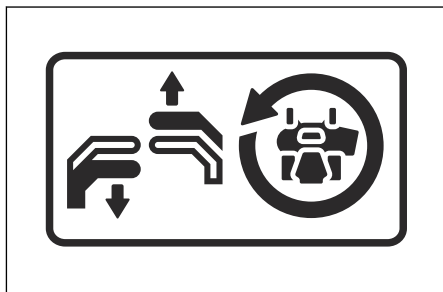
9. If the engine is cold, slowly push the choke control down.
10. Let the engine run at ½ throttle for 3-5 minutes before you apply full throttle.
11. Push the throttle control to the full throttle position.

## To operate the product

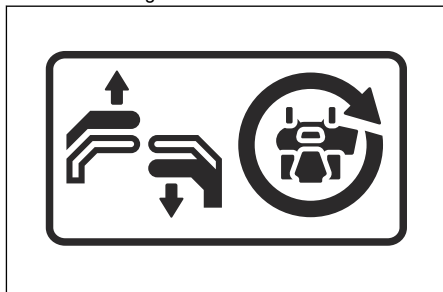
1. Start the engine. Refer to *To start the engine on page 12.*
2. Disengage the parking brake. Refer to *To engage and disengage the parking brake on page 12.*
3. Carefully push the 2 control levers forward. The product will start to move forward. The forward speed increases the more the 2 control levers are pushed forward.



4. Carefully pull the 2 control levers rearward. The product will start to move rearward. The rearward speed increases the more the 2 control levers are pulled rearward.
5. Put the 2 control levers in neutral position to decrease the speed and stop the product.
6. Do the steps that follow to turn left or right when you go in a forward direction.
  - a) Pull the left control lever rearward in the direction of the neutral position to make the product turn left. The more you pull the left control lever rearward, the more the product will turn left.



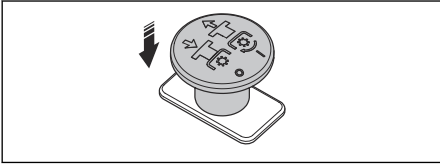
- b) Pull the right control lever rearward in the direction of the neutral position to make the product turn right. The more you pull the right control lever rearward, the more the product will turn right.



7. Do the steps that follow to make a zero turn.
  - a) Pull the 2 control levers rearward in the direction of the neutral position to decrease the speed or stop the product.
  - b) Move 1 control lever slightly forward and the other control lever slightly rearward to make a zero turn.
8. Lower the cutting deck to mow position. Refer to *To set the cutting deck in transport position or mow position on page 12.*
9. Pull up the PTO button to engage the drive of the blades.
10. If it is necessary to adjust the cutting height during operation, refer to *To set the cutting height on page 12.*

## To stop the engine

1. Move the 2 control levers to the neutral position to stop the product.
2. Engage the parking brake.
3. Push down the PTO button to disengage the drive of the blades.

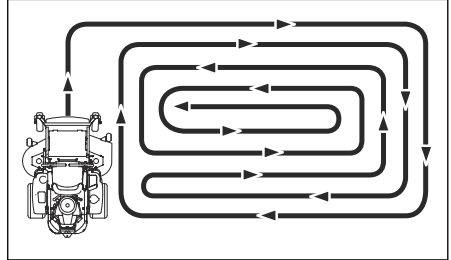


4. Put the cutting deck in the transport position.
5. Move the throttle control to the minimum throttle position.
6. Let the engine idle for a minimum of 1 minute until the engine is at usual operation temperature.
7. Turn the ignition key to the stop position.
8. Remove the ignition key from the ignition when you are away from the product.

## To get a good cutting result

- For best performance, do maintenance on the product regularly as given in the maintenance schedule. Refer to *Maintenance on page 14*.

- Do not cut a wet lawn. Wet grass can give a bad cutting result.
- Start with a high cutting height and decrease it gradually.
- Use full throttle when you cut the grass.
- Move the product forward at low speed if the grass is high and thick.
- Cut the grass in an irregular pattern.
- When you cut large areas, move the product to the right during 1 or 2 turns around the work area. This procedure will keep the grass discharge away from shrubs, fences and driveways. After approximately 2 turns around the work area, cut in the opposite direction.



- When the mulch kit is used, cut the grass more frequently.
- To get the best cutting result, cut the grass frequently.

## Maintenance

### Introduction



**WARNING:** Before you do any maintenance work you must read and understand the safety chapter.

X = The instructions are given in this operator's manual.

O = Refer to the engine manual for instructions.

### Maintenance schedule for the operator

### Maintenance schedule

\* = The instructions are not given in this operator's manual.

Maintenance	Daily maintenance		Do maintenance at a minimum of 1 time each year	Maintenance interval in hours			
	Before	After		25	50	100	300
Do a check of the parking brake.	X						
Do a check of the level of the engine oil.	O						
Do a check of the safety system.	X						
Make sure that there are no fuel or oil leaks from the product.	*						

Maintenance	Daily maintenance		Do maintenance at a minimum of 1 time each year	Maintenance interval in hours			
	Before	After		25	50	100	300
Make sure that there are no damage on the product.		*					
Make sure that there are no loose parts.		*					
Do a check for damages on the cutting deck.		*					
Do a check of the cutting deck for adjustment.			X				X
Do a check of the tire pressures.	X			X	X	X	X
Do a check of the battery connections.			X	X	X	X	X
Do a check of the throttle cable.						O	
Do a check of the caster wheels (each 200 hours).			X			X	
Do a check of the clearance of the engine valve. <sup>1</sup>			*				*
Clean the air intake of the engine. <sup>2</sup>			O	O			
Clean the bottom side of the cutting deck.		X					
Clean around the engine.		*					
Clean around the belts and the belt pulleys.		*			*	*	*
Do a check of the belts and the belt pulleys.			X			X	
Clean the foam pre-filter. <sup>3</sup>			O	O			
Replace the foam pre-filter. <sup>4,5</sup>			O				
Clean the paper filter cartridge. <sup>6</sup>			O	O			
Examine the muffler and spark arrestor screen.			*		*	*	*

<sup>1</sup> Must be done by approved service agent.

<sup>2</sup> In conditions with dust, cleaning and replacement must be done more frequently.

<sup>3</sup> In conditions with dust, cleaning and replacement must be done more frequently.

<sup>4</sup> In conditions with dust, cleaning and replacement must be done more frequently.

<sup>5</sup> If the product is equipped with the foam pre-filter.

<sup>6</sup> In conditions with dust, cleaning and replacement must be done more frequently.

Maintenance	Daily maintenance		Do maintenance at a minimum of 1 time each year	Maintenance interval in hours			
	Before	After		25	50	100	300
Start the engine and blades and listen for unusual sounds.		*					
Sharpen the blades. <sup>7</sup>			X	X			
Replace the blades.			X	X			
Replace the spark plugs.			O			O	
Replace the engine oil. <sup>8</sup>			O	O			
Replace the engine oil filter.			O			O	
Replace the fuel filter.			O			O	
Replace the paper air filter. <sup>9</sup>			O			O	
Do the 300-hour servicing. <sup>10</sup>			*				*

## To clean the product



**CAUTION:** Do not use a high-pressure washer or a steam cleaner. Water can go into bearings and electrical connections and cause corrosion which causes damage to the product.

Clean the product immediately after use.

- Do not clean hot surfaces such as the engine, muffler and exhaust system. Wait until the surfaces are cool, then remove the grass or dirt.
- Before you clean with water, clean with a brush. Remove grass and dirt on and around the transmission, the transmission air intake, and the engine.
- Use running water from a hose to clean the product. Do not use high-pressure.
- Do not point the water at electrical components or bearings. Detergent usually increases the damage.
- Use compressed air to clean the top side of the mower deck.
- Use a water hose to clean below the cutting deck.
- When the product is clean, start the cutting deck for a short period to remove remaining water.

<sup>7</sup> Must be done by approved service agent.

<sup>8</sup> Replace the engine oil after the first 8-10 hours of operation. During heavy load or high ambient temperatures, replace the engine oil each 50 hours.

<sup>9</sup> In conditions with dust, cleaning and replacement must be done more frequently.

<sup>10</sup> Must be done by approved service agent.

## To clean the engine and the muffler

Keep the engine and muffler free from grass cuttings and dirt. Grass cuttings soaked in fuel or oil on the engine can increase the fire risk and the risk that the engine becomes too hot. Let the engine cool before it is cleaned. Clean with water and a brush.

Grass cuttings around the muffler dry quickly and are a fire risk. Use a brush or remove the grass cuttings with water when the muffler is cold.

## To clean the battery

Corrosion and dirt on the battery and the terminals can cause the power of the battery to decrease.

1. Remove the battery. Refer to *To remove and install the battery on page 17*.
2. Flush the battery with water and let dry.



**CAUTION:** Do not use a high-pressure washer or a steam cleaner. Water can go into bearings and electrical connections and cause corrosion which causes damage to the product.

3. Clean the terminals and the cable ends of the battery cables with a wire brush.

## To do a check of the parking brake

1. Park the product on a slope with a hard surface.



---

**Note:** Do not park the product on a grass slope when you do a check of the parking brake.

---

2. Engage the parking brake.
3. If the product starts to move with the parking brake engaged, let an approved service agent adjust the parking brake.
4. Disengage the parking brake.

## To charge the battery

- Charge the battery if it is too weak to start the engine. Refer to *Battery charging times on page 27* for battery charging times.
- Use a standard battery charger.



**CAUTION:** Do not use a boost charger or start booster. A boost charger or a start booster will cause damage to the electrical system of the product.

- Always disconnect the battery charger before you start the engine.

## To do an emergency start of the engine

If the battery is too weak to start the engine, you can use jumper cables to do an emergency start. This product has a 12 V system with negative ground. The product that is used for the emergency start must also have a 12 V system with negative ground.

### To connect the jumper cables



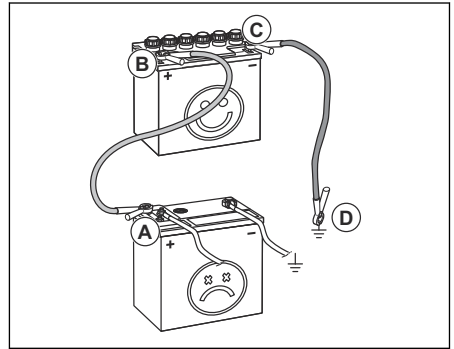
**WARNING:** Risk of explosion because of explosive gas that comes from the battery. Do not connect the negative terminal of the fully charged battery to or near the negative terminal of the weak battery.



**CAUTION:** Do not use the battery of the product to start other vehicles.

---

1. Connect one end of the red cable to the POSITIVE battery terminal (+) on the weak battery (A).



2. Connect the other end of the red cable to the POSITIVE battery terminal (+) on the fully charged battery (B).



**WARNING:** Do not short circuit the ends of the red cable against the chassis.

3. Connect one end of the black cable to the NEGATIVE battery terminal (-) on the fully charged battery (C).
4. Connect the other end of the black cable to a CHASSIS GROUND (D), away from the fuel tank and the battery.

### To remove the jumper cables

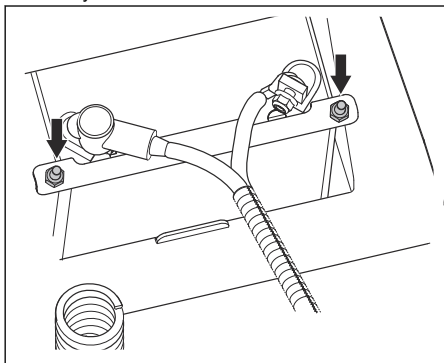
**Note:** Remove the jumper cables in the opposite sequence to how you connect them.

1. Remove the BLACK cable from the chassis.
2. Remove the BLACK cable from the fully charged battery.
3. Remove the RED cable from the 2 batteries.

## To remove and install the battery

1. Fold the seat forward. Refer to *To fold the seat on page 11*.

- Remove the bolt and the nut from the battery bracket and remove the battery bracket from the battery.



- Use 2 wrenches to disconnect the black battery cable from the negative (-) terminal on the battery.
- Use 2 wrenches to disconnect the red battery cable from the positive (+) terminal on the battery.
- Carefully remove the battery from the product.
- Install in the opposite sequence.

## To adjust the tracking speed

If the product does not move straight forward, the tracking speed must be adjusted.



**WARNING:** Always adjust the tracking speed in an open area without bystanders.

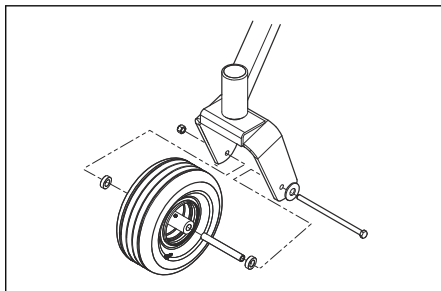
- Do a check of the tire pressure. Refer to *Tire pressure on page 18*.
- Turn the tracking controls out until they are flush with the nuts. Refer to *Product overview on page 3* for the location of the tracking controls.
- Start the product.
- Move the control levers forward fully and operate the product at full throttle.
- Turn the tracking control on the right side gradually until the product starts to move right.
- Turn the tracking control on the left side gradually until the product starts to move straight forward.

## Tire pressure

Make sure to have the correct tire pressure on all 4 tires. Refer to *Technical data on page 26*.

## To remove and install the front wheels

- Remove the nut and the bolt to remove the front wheels from the forks.



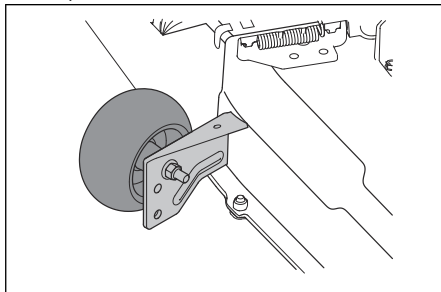
- Install in the opposite sequence. Torque the nut and bolt to 50 ft-lbs / 67.8 Nm.

## To adjust the anti-scalp rollers

The anti-scalp rollers keep the cutting deck in the correct position on the ground and prevent lawn scalping in most terrain conditions. The anti-scalp rollers can be set in 3 positions for different lengths of grass:

- Top position: 1.5–2.5 in. / 38–64 mm grass.
- Middle position: 2.5–4 in. / 64–102 mm grass.
- Bottom position: 4–5 in. / 102–127 mm grass.

- Park the product on level ground and stop the engine.
- Remove the nut, the bolt, the axle and the anti-scalp roller.



- Install the anti-scalp roller in one of the 3 positions.

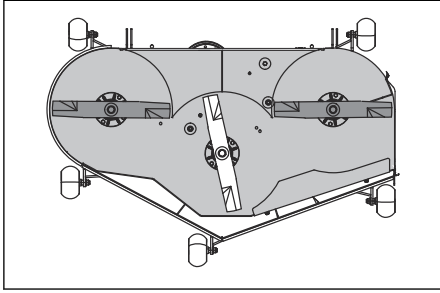


**CAUTION:** The cutting deck can become damaged if the anti-scalp rollers are incorrectly adjusted. The anti-scalp rollers must be approximately 1/4 in. / 6.4 mm from the ground.

## To adjust the parallelism of the cutting deck

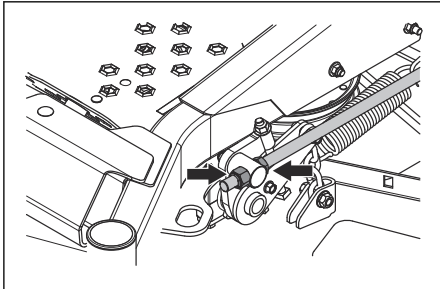
This procedure will set the cutting deck in a standard position.

1. Make sure that the tire pressure is correct. Refer to *Tire pressure on page 18*.
2. Park the product on a level surface.
3. Turn the outer blade tips to align with the cutting deck side to side.

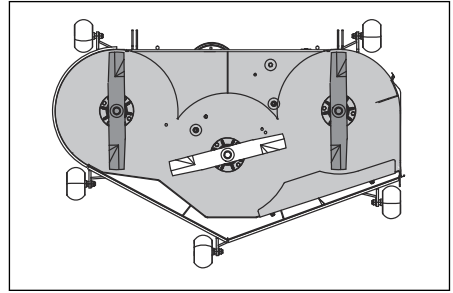


**WARNING:** The blades on the cutting deck are sharp and can cause injury. Use protective gloves.

4. Measure the distance between the ground and the bottom of the blade tip on the discharge side of the cutting deck. Make a note of the distance.
5. Measure the distance between the ground and the bottom of the blade tip on the side opposite to the discharge side. The distance must be the same as the distance for the discharge side. If adjustment is necessary, adjust the 2 front bolts until the 2 side to side distance are equal.



6. Turn the 2 outer blades to align with the cutting deck front to rear.



7. Adjust the 2 rear nuts until the rear blade tips are set 1/8–3/8 in. / 3.2–9.5 mm higher in the rear than in the front blade tips.
8. Measure the distances again to make sure that the cutting deck has been adjusted correctly.

## To examine the blades



**CAUTION:** Damaged or incorrectly balanced blades can cause damage to the product. Replace damaged blades. Let an approved service agent help you sharpen and balance blunt blades.

- Look at the blades to see if they are damaged and if it is necessary to sharpen them.

## To replace the blades

1. Remove the blade bolt.
2. Assemble the new blade with the side without stamps in the direction of the cutting deck.



**WARNING:** Incorrect blade type can cause objects to eject from the cutting deck and cause serious injury. Use only approved blades.

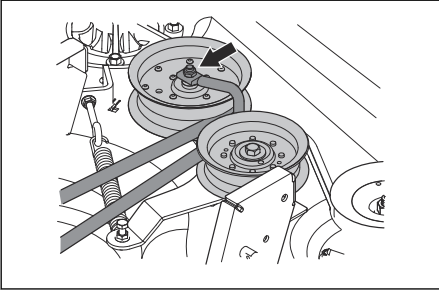
3. Attach the blade bolt. Torque the bolt to 60-81 Nm.

## To remove the deck belt

Park the product on level ground and engage the parking brake before you do this task.

1. Set the cutting deck in the lowest position.
2. Remove the 2 belt covers.
3. Remove dirt and unwanted materials from around the cutter housings and the cutting deck surface.
4. Make a note of the position of the belt guide.

5. Loosen the nut on the belt guide.



6. Push in the idler arm to decrease the tension on the deck belt and carefully remove the deck belt from the pulleys.
7. Remove the deck belt from the electric clutch on the engine shaft.

## To install the deck belt

1. Put the deck belt around the electric clutch pulley on the engine shaft.
2. Put the deck belt around the pulleys on the cutting deck.

**Note:** Refer to the routing decal on the cutting deck when you install the deck belt.

3. Push in the idler arm until you can put the deck belt around the stationary idler pulley and hold it there.
4. Carefully put the deck belt around the stationary idler pulley and slowly release the idler arm back into position.
5. Make sure that the belt routing align with the belt routing shown on the belt routing decal.
6. Make sure that the deck belt is not twisted.
7. Put the belt guide in the correct position and tighten the nut.

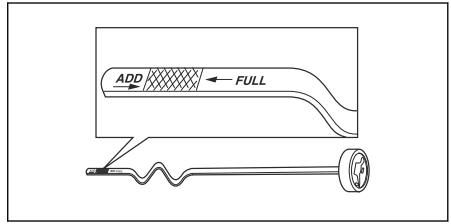
**Note:** Refer to the note you made when you removed the belt guide.

8. Install the 2 belt covers.

## To do a check of the engine oil level

1. Park the product on level ground and stop the engine.
2. Pull open the operator cushion to get access to the engine.
3. Loosen the dipstick and pull it out.
4. Clean the oil from the dipstick.
5. Put the dipstick in the hole for the dipstick and tighten it.
6. Loosen and pull the dipstick out and read the oil level.

7. The oil level must be between the marks on the dipstick. If the level is near the ADD mark, fill oil to the FULL mark.



8. Fill the oil through the hole for the dipstick. Fill the oil slowly.

**Note:** Refer to *Technical data on page 26* for the types of engine oil that Husqvarna recommends. Do not mix different types of oil.

9. Tighten the dipstick fully before you start the engine.

## To replace the engine oil

If the engine is cold, start the engine for 1–2 minutes before you drain the engine oil. This makes the engine oil warm and faster to drain.



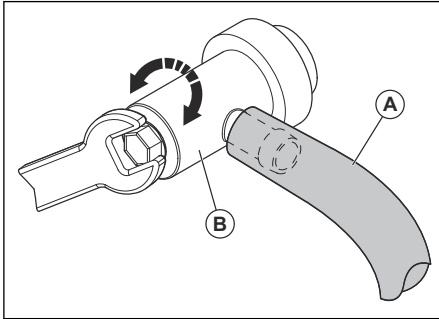
**WARNING:** Do not operate the engine for more than 1–2 minutes before you drain the engine oil. The engine oil becomes very hot and can cause burn injuries. Let the engine become cool before you drain the engine oil.



**WARNING:** If you spill engine oil on your body, clean with soap and water.

1. Park the product on level ground and stop the engine.
2. Engage the parking brake. Refer to *To engage and disengage the parking brake on page 12*.
3. Remove all dirt around the oil tank cap.
4. Remove the oil tank cap and the dipstick.

5. Install the oil drain tube (A) on the engine oil drain valve (B).



6. Put a container below the engine to collect the engine oil.
7. Turn the oil drain valve counterclockwise to open the oil drain valve. Use a 10 mm wrench.
8. When all engine oil is drained, turn the oil drain valve clockwise to close it. Use a 10 mm wrench.
9. Use the 10 mm wrench to carefully torque the oil drain valve closed. Do not tighten too tightly.



**CAUTION:** Do not apply too much torque when you tighten the oil drain valve.

10. Remove the oil drain tube from the oil drain valve.

11. Fill with new oil and do a check of the engine oil level. Refer to *To do a check of the engine oil level on page 20*.
12. Install the oil tank cap and the dipstick.

---

**Note:** For safe disposal of used engine oil, refer to *Disposal on page 25*.

---

## Lubrication, general information

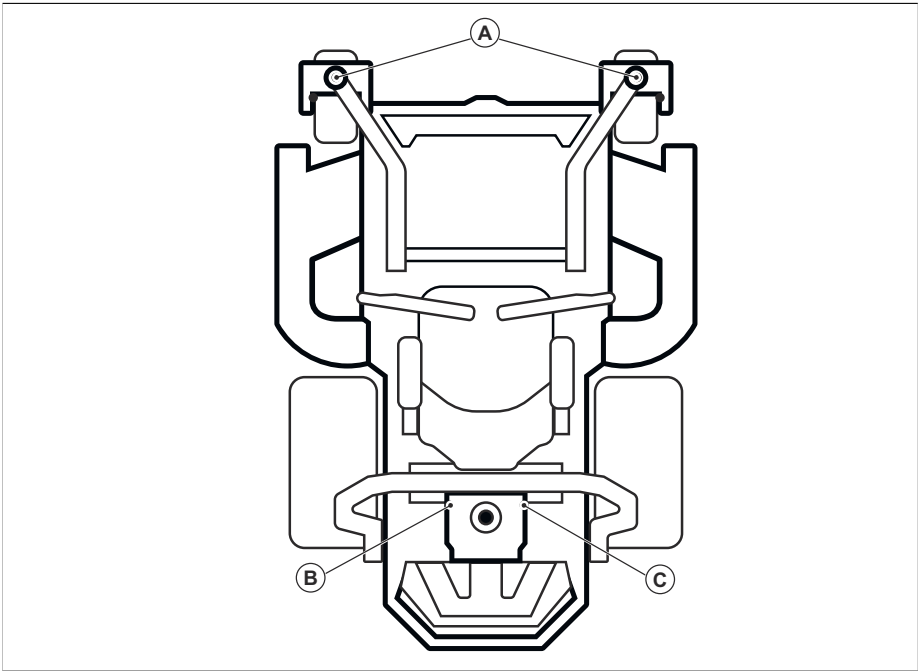
- Remove the ignition key to prevent accidental movements during lubrication.
- Clean the area before you lubricate a part on the product.
- Use oil when you lubricate with an oil can.
- When you lubricate with grease, use a chassis or ball bearing grease that prevents corrosion. Remove unwanted grease after lubrication.
- Lubricate 2 times a week if you operate the product daily.
- Do not spill lubricant on the drive belts or the grooves of the belt pulleys. If you do spill, clean with alcohol. If the friction between the drive belt and the pulley is not sufficient after you clean with alcohol, replace the drive belt.



**CAUTION:** Do not use gasoline or other petroleum products to clean drive belts.

---

## Lubrication schedule

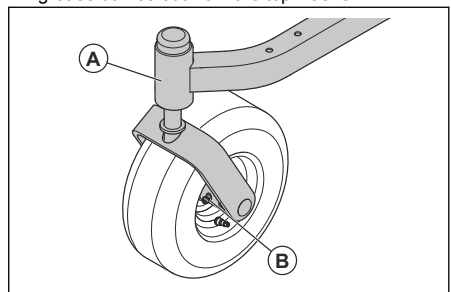


Refer to	Lubrication	Interval			
		Daily	Each 25 hours	Each 50 hours	Each 200 hours
A	Lubricate the grease nipple on the pivot axle with a grease gun.		X		
B	Do a check of the oil level.	X			
C	Replace the oil filter.				X

Always use good quality grease. Always use recommended oil, refer to *Technical data on page 26*.

### To lubricate the front wheels

- Grease the nipple (A) with a grease gun until grease comes out from the top washer.



- Lubricate the joint bearing of the front wheels (B) with a grease gun until grease comes out.

---

## Troubleshooting

---

### Troubleshooting schedule

If you cannot find a solution to your problems in this operator's manual, speak to your Husqvarna service agent.

Problem	Cause
Engine does not start.	The drive of the blades is engaged. Refer to <i>PTO (Power Take-Off) button on page 4</i> .
	The control levers are not locked in the outer position.
	The battery is too weak. Refer to <i>To charge the battery on page 17</i> .
	There is dirt in the carburetor or the fuel line.
	The fuel shut-off valve is closed or in the incorrect position.
	The fuel filter or fuel line is clogged.
	The ignition system is damaged.
The starter motor does not turn the engine over.	The battery is too weak. Refer to <i>To charge the battery on page 17</i> .
	The connection at the cable connectors on the battery terminals is bad. Refer to <i>To clean the battery on page 16</i> .
	A fuse is blown. Refer to <i>Fuses on page 4</i> .
	The OPC does not operate correctly. Refer to <i>Operator Presence Control (OPC) on page 3</i> .
The engine does not run smoothly.	The carburetor is incorrectly set.
	The fuel filter or fuel jet is clogged.
	The throttle lever is in Cold Weather Start position.
	The check valve on the fuel tank cap is clogged.
	The fuel tank is almost empty.
	The spark plug is damaged.
	Incorrect fuel mixture or fuel type.
	There is water in the fuel.
	The air filter is clogged.
The engine apparently has no power.	The air filter is clogged.
	The spark plug is damaged.
	The carburetor is incorrectly set.
	There is air in the hydraulic system.

<b>Problem</b>	<b>Cause</b>
There is vibration in the product.	The blades are loose. Refer to <i>To examine the blades on page 19</i> .
	One or more of the blades are not balanced. Refer to <i>To examine the blades on page 19</i> .
	The engine is loose.
The engine becomes too hot.	The air filter or the cooling fins are clogged.
	There is overload in the engine.
	The airflow around the engine is not sufficient.
	The engine speed regulator is damaged.
	The oil level is too low.
	There is dirt in the fuel line.
	The spark plug is damaged.
The battery does not charge.	The connection at the cable connectors on the battery terminals is bad. Refer to <i>To clean the battery on page 16</i> .
	The charging cable is disconnected.
The product moves slowly, with irregular speed or not at all.	The bypass linkages are engaged.
	The drive belt on the transmission is loose or damaged.
	There is air in the hydraulic system.
The drive of the blades do not engage.	The drive belt on the mower deck is loose.
	The electromagnetic coupling contact is loose.
	The drive of the blade is damaged or loose from the cable connectors.
	A fuse is blown.
The transaxle leaks oil.	The seals, housing or gaskets are damaged.
	There is air in the hydraulic system.
The cutting result is unsatisfactory.	The tire pressure is different on the right and left sides. Refer to <i>Tire pressure on page 18</i> .
	The blades are damaged.
	The suspension of the cutting deck is not level.
	The blades are blunt. Refer to <i>To examine the blades on page 19</i> .
	The product is operated at too high forward or rearward speed. Refer to <i>To get a good cutting result on page 14</i> .
	The grass is long. Refer to <i>To get a good cutting result on page 14</i> .
	There is grass blockage in the cutting deck. Refer to <i>To clean the product on page 16</i> .



---

# Transportation, storage and disposal

---

## Transportation

- The product is heavy and can cause crush injuries. Be careful when you load it onto or off a vehicle or trailer.
- Load the product in reverse on approved ramps of a maximum operation angle of 10°. Do not lift the product.
- Use an approved trailer for transportation of the product.
- Make sure that you have knowledge of local road traffic regulations before transportation of the product in a trailer or on roads.
- Stop the fuel supply of the product.
- Lock the product with approved devices, such as straps. Use tie-down points on the product. The parking brake is not sufficient to lock the product during transportation.

## To tow the product



**WARNING:** Before you tow the product, you must read and understand the safety chapter. Refer to *Tow safety on page 10*.

- Be careful when you tow the product.
- Operate the product slowly when you tow the product.
- The breaking distance increases when you tow the product. Make sure to decrease the speed in time.
- For safe operation, do wide turns.
- Do not tow near ditches, open water, and other dangerous areas.

## Storage

Prepare the product for storage at the end of the season, and before more than 30 days of storage. If you keep fuel in the fuel tank for 30 days or more, tacky particles can cause blockage in the carburetor. This has a negative effect on the engine function.

To prevent tacky particles during storage, add a stabilizer. If alkylate gasoline is used, stabilizer is not necessary. If you use standard gasoline, do not change to alkylate gasoline. This can cause sensitive rubber parts to become hard. Add stabilizer to the fuel in the tank or in the container used for storage. Always use the mixing ratios given by the manufacturer. Add the stabilizer and run the engine for a minimum of 10 minutes, until the fuel flows into the carburetor.



**WARNING:** Do not keep the product with fuel in the tank in an indoor location or in locations with bad airflow. Risk of fire if fuel fumes come near

open flames, sparks, or pilot lights in for example boilers, hot water tanks and clothes dryers.



**WARNING:** Remove grass, leaves and other flammable materials from the product to decrease the risk of fire. Let the product become cool before you put it in storage.

- Clean the product, refer to *To clean the product on page 16*.
- Remove unwanted materials from the cooling fan.
- Repair paint damages to prevent corrosion.
- Examine the product for worn or damaged parts and tighten loose screws and nuts.
- Remove the battery. Clean it, charge it, and keep it cool during storage.
- Replace the engine oil, and discard the waste oil.
- Empty the fuel tank. Start the engine and run it until there is no remaining fuel in the carburetor.

**Note:** Do not empty the fuel tank and carburetor if a stabilizer has been added.

- Remove the plugs and put about a tablespoon of engine oil into each cylinder. Manually turn the engine shaft to apply the oil and put the plugs back on.
- Lubricate all grease nipples, joints and axles.
- Keep the product in a clean and dry area and put a cover on it for more protection.

## Disposal

- Chemicals can be dangerous and must not be discarded on the ground. Always discard used chemicals at a service center or an applicable disposal location.
- When the product is worn out, send it to the dealer or to an applicable recycling location.
- Oil, oil filters, fuel and the battery can have negative effects on the environment. Obey the local recycling requirements and applicable regulations.
- Do not discard the battery as domestic waste.
- Send the battery to a Husqvarna service agent or discard it at a disposal location for used batteries.

## Technical data

### Technical data

	<b>Z254</b>
<b>Engine</b>	
Brand / Model	Kawasaki / FR691V
Nominal engine output, hp / kW <sup>11</sup>	23 / 17
Displacement, cm <sup>3</sup>	726
Max. engine speed, rpm	3500 ± 100
Fuel, min. octane grade lead-free, max 10% Ethanol, max 15% MTBE	87
Tank volume, gallons / l	3.5 / 13.3
Oil	Class SF, SG, SH, SJ or SL SAE40, SAE30, SAE20W-50, SAE10W-40, SAE10W-30, SAE5W-20
Oil volume, incl. filter, oz. / l	70.4 / 2.1
Oil volume, excl. filter, oz. / l	60.8 / 1.8
Lubrication system	Pressure with oil filter
Cooling system	Air cooled
Air filter	Standard
Alternator, V. amp. @ 3600 rpm	12 V 15 amp @ 3600 rpm
Start motor	Electric start 12 V
<b>Dimensions</b>	
Length, in. / cm	75 / 191
Width, in. / cm	43.75 / 111
Width including Chute Up, in. / cm	56 / 143
Width including Chute Down, in. / cm	67 / 170
Height, mm	40 / 102
Weight, with empty tanks, lb / kg	593 / 269
Max. gradient, degrees °	10
Cutting Width, in. / cm	54 / 137
Cutting Height, in. / cm	1.5 - 4 / 3.8 - 10.2
<b>Cutting deck</b>	
Deck Construction	Stamped
Number of blades	3
Blade length, in. / cm	18.25 / 46.4

<sup>11</sup> The power rating as declared by the engine manufacturer is the average gross power output at the specified RPM of a typical production engine for the engine model measured using SAE Standards for engine gross power. Refer to the engine manufacturer engine specifications.

	<b>Z254</b>
Blade Engagement	Electromagnetic Clutch
Productivity, acres/h / m <sup>2</sup> /h	2.8 / 11,331
<b>Tires</b>	
Tire pressure, rear – front, kPa / PSI / bar	103 / 15 / 1
Front caster tires, in.	11x 6-5
Rear tires, turf pneumatic, in.	18 x 9.5-8
Anti-scalp roller	4 adjustable
<b>Transmission</b>	
Transmission	Hydrostatic transaxles
Steering control	Dual levers, foam gripped
Maximum speed forward, mph / kmh	6.5 / 10.5
Maximum speed reverse, mph / kmh	3.25 / 5.23
Brakes	Mechanical parking brake
<b>Electrical system</b>	
Type	12 V
Battery	28 A
Spark plug	NGK BPR4ES
Electrode gap, in. / mm	0.030 / 0.76
Spark plug torque, lb-ft / Nm	16 / 22

## Battery charging times

STD battery	State of charge	Approximate charging time to full charge at 80° F / 26° C <sup>12</sup>			
		Maximum rate at:			
		50 Amps	30 Amps	20 Amps	10 Amps
12.6 V	100%	Fully charged			
12.4 V	75%	20 min	35 min	48 min	90 min
12.2 V	50%	45 min	75 min	95 min	180 min
12.0 V	25%	65 min	115 min	145 min	280 min
11.8 V	0%	85 min	150 min	195 min	370 min

<sup>12</sup> Battery charging time can be different because of battery capacity, condition, age, temperature and efficiency of the charger.

---

## Service

---

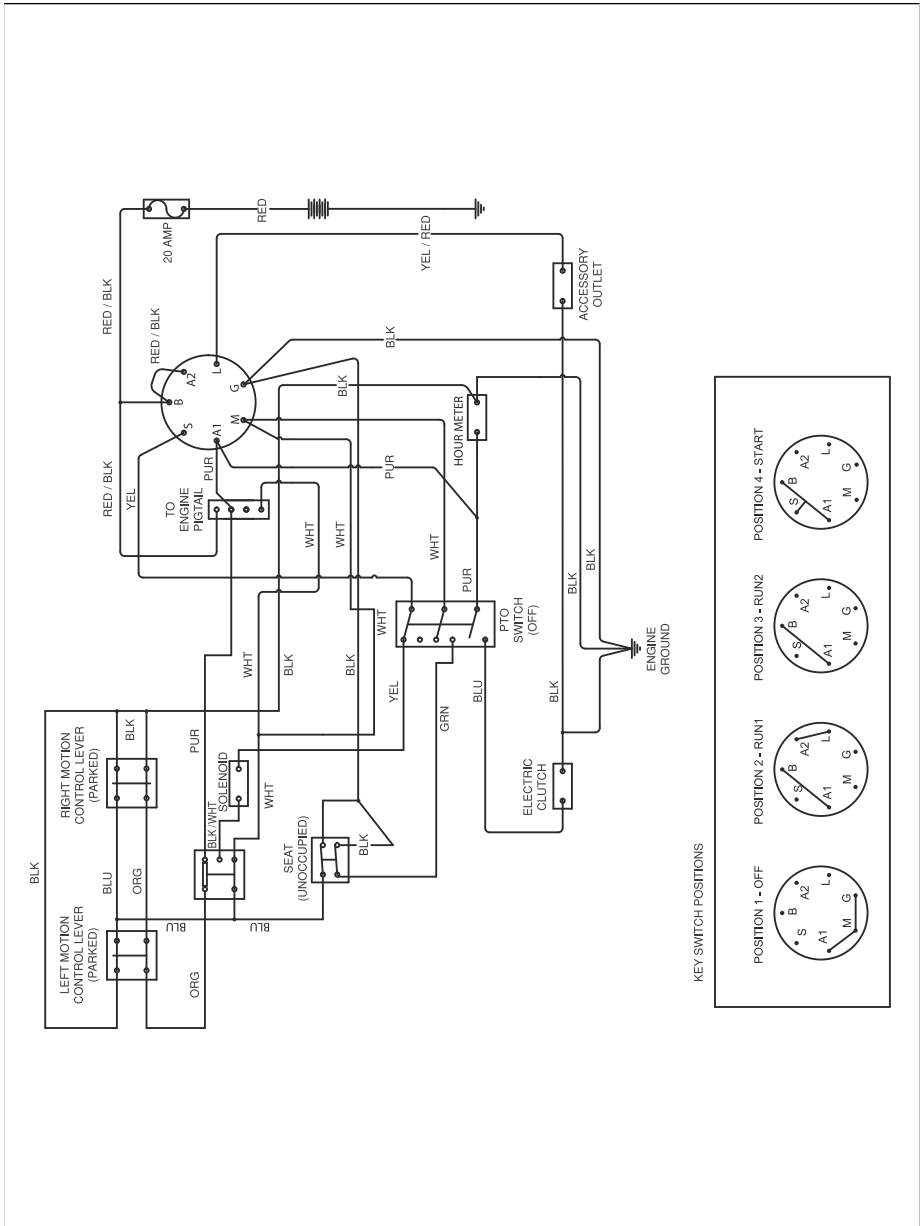
### Service

Do a yearly check at an authorized service center to make sure that the product functions safely and at its best during high season. The best time to do a servicing or overhaul of the product is low season.

When you send an order for the spare parts, give information about the purchase year, model, type, and serial number.

Always use original spare parts.

# Electrical diagram



---

## Contenido

---

Certificados de conformidad.....	30	Solución de problemas.....	52
Introducción.....	30	Transporte, almacenamiento y eliminación de residuos.....	54
Seguridad.....	34	Datos técnicos.....	56
Funcionamiento.....	40	Servicio.....	58
Mantenimiento.....	43	Anexo .....	60

---

## Certificados de conformidad

---

### Requisitos para EE. UU.

En el motor y/o en el compartimiento del motor hay etiquetas que indican que la máquina cumple con los requisitos. No quite estas etiquetas. También es posible que se incluyan certificados con la

máquina en el momento de su entrega o que estén escritos en el manual del motor. Cuídelos porque son documentos valiosos.

Para implementar mejoras, las especificaciones y diseños pueden modificarse sin previo aviso.

---

## Introducción

---

### Inspección previa a la entrega y números de producto

A este producto se le hizo una inspección antes de la entrega. Asegúrese de que su distribuidor

le entregue una copia firmada del documento de inspección previa a la entrega.

Información de contacto del taller de servicio:	
Este manual de usuario es para el producto con el número de producto/número de serie:	
/	
Motor:	
Transmisión:	

Los números de producto se encuentran en la placa de identificación. Consulte *Descripción general del producto en la página 31* para ver la ubicación de la placa de identificación.

medidor de horas muestra cuántas horas se ha utilizado el producto.

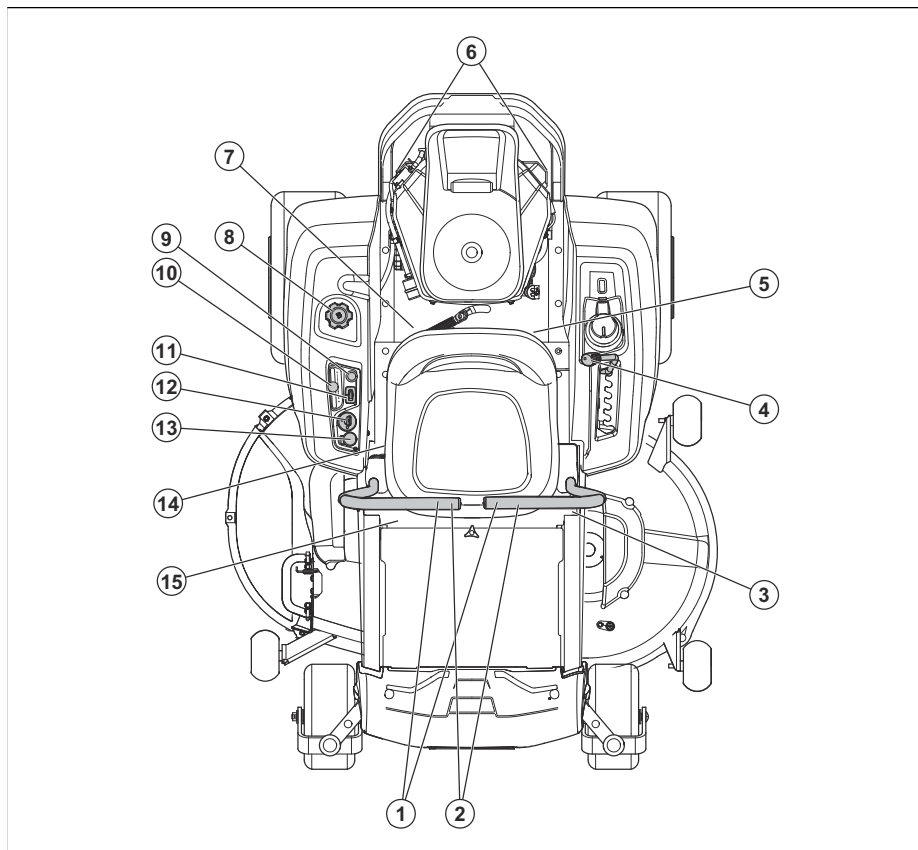
### Uso previsto

El producto está hecho para cortar césped solo en un terreno abierto y nivelado. No utilice el producto para otras tareas.

### Descripción del producto

Este producto es un cortacésped motorizado. Las palancas de control permiten que el operador dirija el producto y ajuste la velocidad del producto. Un

## Descripción general del producto



1. Palancas de control
2. Freno de estacionamiento
3. Control de seguimiento
4. Palanca elevadora del equipo
5. Fusibles
6. Varillaje de derivación
7. Válvula de corte de combustible
8. Depósito de combustible
9. Estrangulador
10. Control del acelerador
11. Medidor de horas
12. Interruptor de encendido
13. Botón de PTO
14. Palanca de ajuste del asiento
15. Placa de identificación

### Controles de la dirección

La dirección del producto se controla mediante las 2 palancas de control. Consulte *Descripción general del producto en la página 31*. Las palancas de

control se pueden mover hacia delante y hacia atrás desde la posición neutra. Consulte *Para hacer funcionar el producto en la página 42*.

### Control de presencia del operador (OPC)

El OPC se acciona cuando el operador se levanta del asiento. El motor y la transmisión para las cuchillas se detienen si las cuchillas están acopladas o el freno de estacionamiento no está aplicado. Consulte *Condiciones de funcionamiento en la página 37*.

### llave de encendido

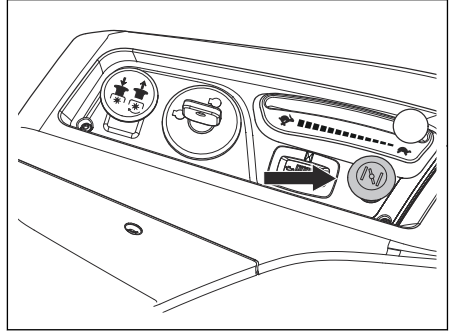
La llave de encendido tiene 4 posiciones:

- Posición Start (arranque) (A)
- Posición de marcha (B)
- La posición de los focos (C)
- Posición Stop (parada) (D)

## Estrangulador

El estrangulador se usa para que en los arranques en frío se suministre más combustible al motor. Levante el estrangulador cuando arranque un motor frío.

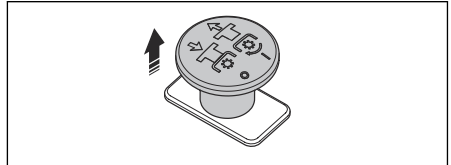
Consulte *Descripción general del producto en la página 31* para conocer la posición del estrangulador.



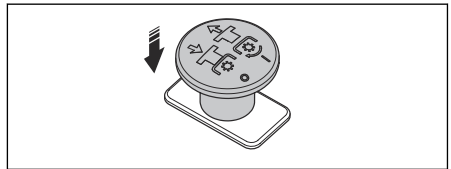
## Botón de toma de fuerza (PTO)

El botón de PTO acopla y desacopla el embrague de PTO y el equipo de corte u otro equipo conectado a este. Se deben respetar las condiciones correctas de arranque para activar la transmisión de las cuchillas. Consulte las *Condiciones de funcionamiento en la página 37* para conocer las condiciones correctas de arranque.

- Tire del botón de PTO para acoplar el disco de las cuchillas u otro equipo.



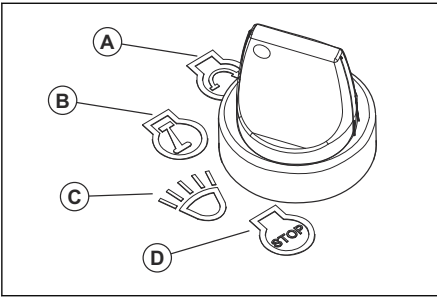
- Presione el botón de PTO para desacoplar el disco de las cuchillas u otro equipo.



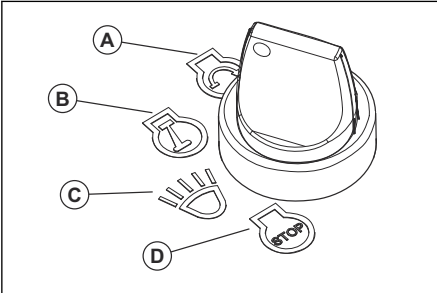
## Válvula de corte de combustible

Consulte *Descripción general del producto en la página 31* para conocer la posición de la válvula de corte de combustible.

La válvula de corte de combustible está cerrada cuando la lengüeta de la perilla se encuentra en posición perpendicular a la tubería de combustible.



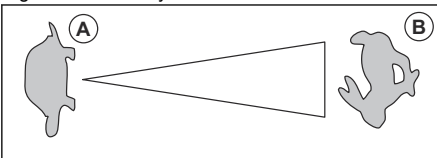
## Focos



- Gire la llave de encendido a la posición de los focos (C) para usar el producto con los focos encendidos.
- Gire la llave de encendido a la posición de marcha (B) para usar el producto con los focos apagados.

## Control del acelerador

El acelerador ajusta el régimen del motor y la velocidad de las cuchillas si están acopladas. El acelerador tiene 2 posiciones en los extremos, el régimen de ralentí y la aceleración máxima.



- Régimen de ralentí (A): disminuye el régimen del motor.
- Aceleración máxima (B): aumenta el régimen del motor.



**AVISO:** No use el motor en régimen de ralentí (A) por más tiempo del necesario. El uso excesivo del producto a régimen de ralentí puede disminuir la vida útil de las bujías.

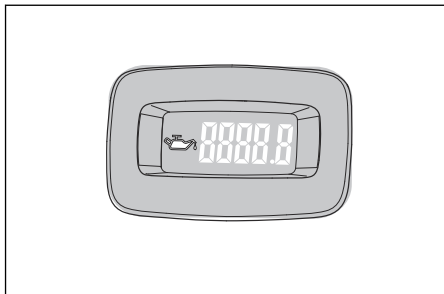


## Fusibles

La ubicación de los fusibles está en la caja de fusibles. La caja de fusibles está debajo del asiento. Incline el asiento hacia delante para acceder a la caja de fusibles. Consulte la etiqueta de la caja de fusibles para identificar los diferentes fusibles.

## Medidor de horas

El producto tiene un medidor de horas que muestra cuántas horas de funcionamiento las cuchillas han estado acopladas. Consulte la *Descripción general del producto en la página 31* para conocer la posición del medidor de horas.



Cada 50 horas, se mostrará un símbolo del nivel de aceite durante 2 horas. Consulte *Para revisar el nivel de aceite del motor en la página 49*.

## Símbolos en el producto



**ADVERTENCIA:** Este producto puede ser peligroso y provocar daños graves o fatales al operador o a otras personas. Tenga cuidado y utilice el producto correctamente.



Utilice gafas protectoras.



Freno de estacionamiento.



Régimen del motor: rápido.



Lento.



Combustible.



Use guantes protectores.



Detenga el motor antes de realizar el mantenimiento.



No opere el producto sin deflector o recogedor de césped.



Use siempre protectores auriculares aprobados.



No ponga el pie aquí.

**N**

Marcha neutra.

**R**

Marcha atrás.



Lea atentamente el manual del usuario y asegúrese de que entiende las instrucciones antes de usar el producto.



Mantenga una distancia de seguridad con respecto al producto.



No opere el producto en pendientes de más de 10°.



No lleve pasajeros.



Tenga cuidado con los objetos que puedan salir expulsados o rebotar.



Mantenga las manos y los pies alejados.



Mantenga las manos lejos de las piezas giratorias.



Tenga cuidado con las personas y los animales cuando opere el producto hacia delante.



Tenga cuidado con las personas y los animales cuando opere el producto hacia atrás.



Estrangulador.



Altura de corte baja.



Altura de corte alta.



Manténgase alejado del equipo de descarga.



Advertencia: El ácido de la batería es corrosivo, explosivo e inflamable.



Mantenga las partes del cuerpo alejadas de las piezas giratorias.

aaaaassxxx

La placa de características muestra el número de serie. **aaaa** es el año de producción y **ss** es la semana de producción.

**Tenga en cuenta:** Otros símbolos o etiquetas del producto hacen referencia a requisitos de certificación de algunas zonas comerciales.

## Daños en el producto

No somos responsables de los daños a nuestro producto en los siguientes casos:

- el producto se repara incorrectamente
- el producto se repara con piezas que no son del fabricante o que este no autoriza
- el producto tiene un accesorio que no es del fabricante o que este no autoriza
- el producto no se repara en un centro de servicio autorizado o por una autoridad aprobada.

## Seguridad

### Definiciones de seguridad

Las advertencias, precauciones y notas se utilizan para señalar las piezas particularmente importantes del manual.



**ADVERTENCIA:** Se utilizan para señalar el riesgo de lesiones graves o mortales para el operador o para aquellos que se encuentren cerca si no se siguen las instrucciones del manual.



**AVISO:** Se utilizan para señalar el riesgo de dañar la máquina, otros materiales o el área adyacente si no se siguen las instrucciones del manual.

**Tenga en cuenta:** Se utilizan para entregar más información necesaria en situaciones particulares.

### Instrucciones generales de seguridad



**ADVERTENCIA:** Lea atentamente las siguientes instrucciones de advertencia antes de usar el producto.



**ADVERTENCIA:** Si no se siguen con precaución las prácticas de funcionamiento, puede provocar lesiones importantes para el operador u otras personas. El propietario debe entender estas instrucciones y debe asegurarse de que solo personas autorizadas que comprenden estas instrucciones operarán el cortacésped. Cada persona que hace funcionar el cortacésped debe estar bien tanto física como mentalmente y no debe estar bajo la influencia de sustancias que alteren las facultades mentales.



**ADVERTENCIA:** Este producto puede amputar manos y pies, y arrojar objetos. El incumplimiento de las siguientes instrucciones de seguridad puede ocasionar daños graves o la muerte.

- Lea, comprenda y siga las instrucciones y advertencias de este documento, del manual de usuario y las que aparecen en el producto, el motor y los accesorios.
- Permita que solo usuarios responsables, que estén capacitados, familiarizados con las instrucciones y en condiciones físicas aptas operen el producto.
- Asegúrese de informar a una persona que va a utilizar el producto, en caso de que ocurra una lesión o un accidente.
- No lleve pasajeros y mantenga alejados a los observadores.
- No haga funcionar el producto bajo la influencia del alcohol o las drogas.
- Siga las recomendaciones del fabricante para los pesos de las ruedas o los contrapesos.
- Aprenda a utilizar el producto y sus controles de forma segura y aprenda a detener el producto con rapidez.
- Reconozca las etiquetas de seguridad.
- Mantenga el producto limpio para asegurarse de que puede leer claramente las señales y las etiquetas.
- Tenga en cuenta que el operador será responsable de los accidentes que involucren a otras personas o su propiedad.
- Solo utilice el producto con luz de día o en condiciones de buena iluminación. Mantenga el producto a una distancia segura respecto de agujeros u otras irregularidades del suelo. Ponga atención para detectar otros posibles riesgos.
- No permita que niños u otras personas no autorizadas para operar el producto lo utilicen o le hagan mantenimiento. Las leyes locales pueden regular la edad del usuario.
- Asegúrese de que no haya nadie más cerca del producto arranque el motor, acople la transmisión o empiece a mover el producto.
- Vigile el tráfico cuando corte cerca de un camino o atraviese uno.
- No utilice el producto si está cansado, bajo la influencia del alcohol o las drogas, medicamentos o cualquier cosa que pudiera afectar negativamente su visión, estado de alerta, coordinación o juicio.
- Estacione siempre el producto en una superficie nivelada con el motor parado.
- No modifique este producto.
- No utilice el producto si es posible que otras personas lo hayan modificado.

## Instrucciones de seguridad relacionadas con los niños



**ADVERTENCIA:** Los niños pueden resultar gravemente heridos o morir a causa de este producto. Lea atentamente las instrucciones de advertencia siguientes antes de usar el producto. Mantenga a los niños alejados.

- Pueden ocurrir accidentes trágicos si el operador no está alerta de la presencia de niños. A los niños suele atraerles el producto y la actividad de cortar césped. Nunca dé por un hecho que los niños permanecerán donde usted los vio por última vez.
- Mantenga a los niños fuera de la zona de operación y bajo la observación atenta de un adulto responsable que no sea el operador.
- Manténgase atento y detenga el producto de inmediato si ingresan niños al área de trabajo. Tenga mucho cuidado cerca de esquinas, arbustos, árboles u otros objetos que obstaculicen la visión.
- Tenga extremo cuidado al acercarse a curvas con poca visibilidad, arbustos, árboles u otros objetos que puedan bloquear su visión e impedir que vea a un niño.
- Antes de mover el producto en reversa y mientras lo hace, mire detrás de usted y esté atento a la presencia de niños pequeños.
- No deje que los niños operen el producto.
- La Academia Norteamericana de Pediatría recomienda que solo niños mayores de 16 años operen un cortacésped o se suban a uno.
- Nunca lleve niños sobre la máquina, aunque las cuchillas estén desactivadas. Los niños se pueden caer y sufrir daños graves, o interferir en el uso seguro del producto. Los niños que han dado una vuelta en la máquina pueden aparecer de repente en la zona de corte para dar otra vuelta y podrían ser atropellados o golpeados con el producto.

## Instrucciones de seguridad para el funcionamiento



**ADVERTENCIA:** Lea atentamente las instrucciones de advertencia siguientes antes de usar el producto.



**ADVERTENCIA:** No toque el motor ni en el sistema de escape durante o inmediatamente después del funcionamiento. El motor y el sistema de escape se calientan mucho durante el funcionamiento. Riesgo de quemaduras, incendios y daños a la propiedad

o zonas adyacentes. Cuando utilice el producto, manténgase alejado de arbustos y otros objetos.

- Solo haga funcionar el motor en áreas bien ventiladas. Los gases de escape contienen monóxido de carbono, un veneno mortal.
- Opere el producto únicamente durante el día o con buena luz artificial.
- Despeje el área de objetos como piedras, juguetes, cables, etc., que puedan quedar atrapados en las cuchillas y ser arrojados.
- Evite agujeros, surcos, irregularidades, piedras u otros objetos ocultos. Un terreno irregular podría causar que el producto se vuelque o que el operador pierda el equilibrio o la posición.
- No coloque las manos ni los pies cerca de las piezas giratorias ni debajo del producto. Manténgase alejado de la abertura de descarga en todo momento.
- No opere el producto sin el recogedor de césped, el protector de descarga u otros dispositivos de seguridad completos instalados o en funcionamiento.
- No dirija el material descargado hacia ninguna persona. Evite descargar el material contra una pared u otra obstrucción. El material puede rebotar hacia el operador. Detenga las cuchillas cuando cruce por superficies de grava.
- No deje un producto en funcionamiento sin supervisión. Siempre estacione el producto en un terreno nivelado, desacople el accesorio, active el freno de estacionamiento y detenga el motor.
- No corte el césped en reversa a menos que sea absolutamente necesario. Siempre mire hacia abajo y hacia atrás antes y cuando vaya en reversa.
- Disminuya la velocidad antes de girar.
- Disminuya la velocidad antes de girar en una esquina.
- Los datos indican que los operadores de 60 años o más son víctimas de un gran porcentaje de lesiones relacionadas con la conducción de un cortacésped. Estos operadores deben evaluar si pueden operar el cortacésped de manera lo suficientemente segura para protegerse a sí mismos y a otras personas de lesiones.

## Instrucciones de seguridad para el uso en pendientes



**ADVERTENCIA:** Lea atentamente las instrucciones de advertencia siguientes antes de usar el producto.

Las pendientes son un factor importante relacionado con los accidentes. El uso en pendientes exige precaución especial.

- Desplácese en la dirección recomendada por el fabricante en las pendientes. Tenga cuidado al operar cerca de declives.
- Evite cortar césped húmedo. Los neumáticos pueden perder tracción.
- No utilice el producto en ninguna condición que pueda alterar la tracción, la dirección o la estabilidad. Los neumáticos podrían deslizarse incluso si las ruedas se han detenido.
- Siempre mantenga el producto a una velocidad constante cuando baje por las pendientes. No se deje llevar por las pendientes cuesta abajo.
- Evite ponerse en movimiento o detenerse en pendientes. No haga cambios repentinos de velocidad o dirección. Realice giros de manera lenta y gradual.
- Si los neumáticos pierden tracción, desacople las cuchillas y avance lentamente y de forma recta hacia abajo de la pendiente.
- Tenga especial cuidado cuando opere el producto con un recogedor de césped u otros accesorios. Pueden afectar la estabilidad del producto.
- Cortar el césped en pendientes aumenta el riesgo de que no pueda controlar el producto y de que se vuelque. Esto puede provocar lesiones o la muerte. Es necesario tener cuidado al cortar el césped en cualquier pendiente. Si no puede retroceder para subir una pendiente o si no se siente seguro, no la corte.
- Quite las piedras, las ramas y otros obstáculos.
- Corte el césped de la pendiente de arriba hacia abajo, no de lado a lado.
- No utilice el producto en suelos con pendientes de más de 10°.
- Muévase suave y lentamente en pendientes.
- Ponga atención a la presencia de surcos, agujeros y baches, y no pase transversalmente por ellos. Existe un mayor riesgo de que el producto se vuelque en suelo que no es plano. El césped alto puede ocultar obstáculos.
- No corte el césped cerca de bordes, zanjas u orillas. Mantenga, al menos, el ancho de la máquina alejado de estos peligros. El producto puede volcarse repentinamente si una rueda se desplaza por el borde de una pendiente pronunciada o una zanja, o si un borde cede.

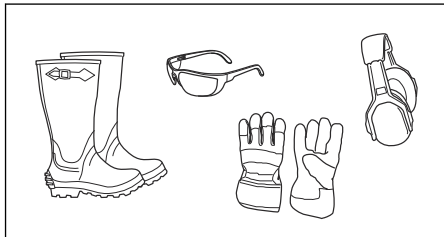
## Equipo de protección personal



**ADVERTENCIA:** Lea atentamente las instrucciones de advertencia siguientes antes de usar el producto.

- Utilice siempre el equipo de protección personal aprobado cuando use el producto. El equipo de protección personal no puede impedir el riesgo de lesiones, pero disminuirá el grado de lesión si ocurre un accidente. Permita que su distribuidor lo ayude a seleccionar el equipo adecuado.

- Use siempre protectores auriculares aprobados. La exposición prolongada al ruido puede causar la pérdida permanente de la audición.
- Siempre use gafas de seguridad o protección ocular cuando opere el producto o realice tareas de mantenimiento o reparación.
- Use siempre zapatos o botas de protección. Se recomienda usar punteras de acero. No utilice el producto descalzo.



- Utilice guantes cuando sea necesario, por ejemplo, cuando conecte, examine o limpie el equipo de corte.
- No use ropa floja, joyas u otros artículos que puedan quedar atrapados en las piezas móviles.
- No utilice pantalones cortos cuando utilice el producto.
- Mantenga un equipo de primeros auxilios y un extintor de incendios a mano.

### Dispositivos de seguridad en el producto



**ADVERTENCIA:** Lea atentamente las instrucciones de advertencia siguientes antes de usar el producto.

- No utilice un producto con dispositivos de seguridad dañados o que no funcionen correctamente. Revise los dispositivos de seguridad de forma regular. Si los dispositivos de seguridad están dañados, comuníquese con el agente de servicio de Husqvarna.
- No realice ninguna modificación en los dispositivos de seguridad. No utilice el producto si las placas de protección, las cubiertas de protección, los interruptores de seguridad u otros dispositivos protectores no están acoplados o están dañados.

### Para revisar la llave de encendido

- Arranque y detenga el motor para revisar la llave de encendido. Consulte *Para arrancar el motor en la página 41* y *Detener el motor en la página 43*.
- Asegúrese de que el motor arranque cuando gire la llave de encendido a la posición de encendido.
- Asegúrese de que el motor se detenga inmediatamente cuando gire la llave de encendido a la posición de detención.

### Condiciones de funcionamiento

Estas condiciones son necesarias para arrancar el motor:

- Las palancas de control están en la posición neutra.
- El freno de estacionamiento está aplicado.
- La transmisión de las cuchillas está desactivada.
- El OPC está presionado.

El motor se debe detener en las siguientes situaciones:

- El freno de estacionamiento no está accionado y el operador se levanta del asiento.
- La transmisión de las cuchillas está activada y el operador se levanta del asiento.

Intente arrancar el motor sin 1 de las condiciones. Cambie las condiciones y vuelva a intentarlo. Haga esta comprobación a diario.

### Freno de estacionamiento



**ADVERTENCIA:** Si el freno de estacionamiento no funciona, el producto puede empezar a moverse y causar lesiones o daños. Asegúrese de revisar y ajustar el freno de estacionamiento con regularidad.

Consulte *Para comprobar el freno de estacionamiento en la página 46*.

### Silenciador



**ADVERTENCIA:** No utilice el producto si el silenciador no está instalado o está dañado. Un silenciador dañado o que no está aumenta el nivel de ruido y el riesgo de incendio.

El silenciador mantiene los niveles de ruido al mínimo y envía los gases de escape lejos del operador.

Examine el silenciador con regularidad para asegurarse de que está instalado correctamente y que no está dañado.



**ADVERTENCIA:** El silenciador se calienta mucho durante y después del uso y cuando el motor funciona en régimen de ralentí. Tenga cuidado cerca de materiales o vapores inflamables para prevenir incendios.

### Para revisar el silenciador

- Examine el silenciador con regularidad para asegurarse de que está instalado correctamente y que no está dañado.

## Apagachispas

Este producto tiene un motor de combustión interna. No utilice el producto cerca de vegetación sin una red apagachispas que esté aprobada por las leyes locales o estatales. Las leyes federales se aplican a las tierras federales.

Se puede obtener un apagachispas para el silenciador a través de su distribuidor Husqvarna aprobado.

## Cubiertas protectoras

Si faltan cubiertas protectoras o estas están dañadas, aumenta el riesgo de lesiones por piezas móviles y superficies calientes. Realice una comprobación de las cubiertas protectoras antes de usar el producto. Asegúrese de que las cubiertas protectoras estén correctamente instaladas y no tengan grietas u otros daños. Reemplace las cubiertas dañadas.

## Seguridad de combustible



**ADVERTENCIA:** Lea atentamente las instrucciones de advertencia siguientes antes de usar el producto.



**ADVERTENCIA:** Tenga cuidado con el combustible. Es muy inflamable, por lo que puede provocar lesiones y daños a la propiedad.

- Apague todo tipo de cigarrillos, puros, pipas y otras fuentes de ignición.
- Use solo un recipiente de combustible aprobado.
- No retire el tapón de combustible ni agregue combustible con el motor en funcionamiento o mientras está caliente.
- No cargue combustible en interiores o en áreas mal ventiladas.
- Después de recargar combustible, vuelva a colocar el tapón de gasolina y apriételo firmemente.
- No guarde el producto o el recipiente de combustible ni cargue combustible donde haya una llama expuesta, chispas o un indicador luminoso, como en un calentador de agua u otros aparatos.
- Si derrama combustible en su ropa, cámbiese la ropa inmediatamente.
- Si salpica combustible, no intente hacer arrancar el motor y evite crear cualquier fuente de ignición hasta que los vapores del combustible se hayan disipado.
- Para ayudar a evitar incendios: mantenga el producto libre de césped, hojas u otros desechos acumulados; limpie el aceite o los derrames de combustible y quite cualquier residuo mojado con combustible; deje que el producto se enfríe antes de guardarlo.

- Tenga especial cuidado al manipular gasolina y otros combustibles. Estos son inflamables y los vapores son explosivos.
- La gasolina y los vapores de gasolina son tóxicos y muy inflamables. Tenga cuidado con la gasolina para evitar lesiones personales o incendios.
- Deje que el motor se enfríe antes de agregar combustible.
- No llene el depósito de combustible cerca de chispas o llamas.
- Si hay fugas en el sistema de combustible, no arranque el motor hasta que las repare.
- No llene por encima del nivel de combustible recomendado. El calor del motor y el sol hacen que el combustible se expanda y que se desborde si el depósito está demasiado lleno.
- Guarde el producto y el combustible, de manera que no haya riesgo de que vapores o fugas de combustible puedan causar daños.

## Seguridad del transporte

- Utilice un vehículo de transporte aprobado para el transporte del producto.
- El producto es pesado y puede causar lesiones por aplastamiento. Tenga cuidado cuando lo cargue o descargue de un vehículo o remolque.
- Las normativas nacionales o locales de mercados pueden establecer un límite para el transporte del producto.
- El operador de vehículo de transporte es responsable de fijar el producto de forma segura durante el transporte. Consulte *Transporte en la página 54*.

## Transporte

- Utilice rampas de ancho completo cuando cargue y descargue un producto para transportarlo.

## Seguridad de remolque

- Obedezca las recomendaciones del fabricante sobre los límites de peso para el equipo remolcado y al remolcar en pendientes.
- Utilice únicamente equipos de remolque aprobados por Husqvarna.
- Utilice la barra de remolque para conectar el equipo.
- Cuando remolque equipos, asegúrese de que no haya otras personas cerca de la máquina.
- No permita que los niños u otras personas monten o se suban al equipo remolcado.
- No remolque en pendientes ni en terreno irregular. En las pendientes, el peso del equipo remolcado puede provocar pérdida de tracción y pérdida de control.

## Seguridad de la batería



**ADVERTENCIA:** Una batería dañada puede provocar una explosión y causar lesiones. Si la batería tiene una deformación o está dañada, hable con un taller de servicio Husqvarna autorizado.



**ADVERTENCIA:** Lea atentamente las instrucciones de advertencia siguientes antes de usar el producto.

- Utilice gafas protectoras cuando esté cerca de las baterías.
- No use relojes, joyas u otros objetos metálicos cerca de la batería.
- Almacene la batería fuera del alcance de los niños.
- Cargue la batería en un espacio con buena ventilación.
- Mantenga los materiales inflamables a una distancia mínima de 1 m cuando cargue la batería.
- Deseche las baterías que ha reemplazado. Consulte *Eliminación en la página 55*.
- La batería puede generar gases explosivos. No fume cerca de la batería. Mantenga la batería lejos de llamas abiertas y chispas.

## Instrucciones de seguridad para el mantenimiento



**ADVERTENCIA:** Lea atentamente las instrucciones de advertencia siguientes antes de usar el producto.



**ADVERTENCIA:** El producto es pesado y puede causar lesiones o daños a la propiedad o el área adyacente. No realice mantenimiento del motor o del equipo de corte sin cumplir con las siguientes condiciones:

- El sistema está apagado.
- El producto está estacionado en una superficie nivelada.
- El freno de estacionamiento está aplicado.
- La llave de encendido está en posición stop y retirada.
- Las cuchillas están desacopladas.
- Todas las piezas giratorias se han detenido.
- Quitó los cables de encendido de las bujías.



**ADVERTENCIA:** Un escape de líquido con presión puede tener fuerza suficiente para traspasar la piel y causar daños graves. Si el líquido le traspasa la piel, busque atención médica de inmediato. Mantenga las manos y el cuerpo alejados de orificios de pasadores o boquillas que expulsen líquido a alta presión. Si se produce una fuga, haga que un técnico capacitado repare inmediatamente el producto.



**ADVERTENCIA:** Los gases de escape del motor contienen monóxido de carbono, un gas inodoro, tóxico y muy peligroso. No use el producto en espacios cerrados o sin suficiente flujo de aire.

- Mantenga el producto en buen orden de trabajo. Reemplace las piezas desgastadas o dañadas. Tenga cuidado al realizar tareas de mantenimiento en las cuchillas. Envuelva las cuchillas o utilice guantes. Reemplace las cuchillas dañadas. No repare ni altere las cuchillas.
- Si están equipados, desconecte los cables de las bujías y el cable negativo de la batería antes de realizar cualquier reparación.

Para lograr mayores niveles de rendimiento y seguridad, realice el mantenimiento del producto con regularidad como se indica en el programa de mantenimiento. Consulte *Programa de mantenimiento en la página 43*.

- Las sacudidas eléctricas pueden causar lesiones. No toque los cables cuando el motor esté encendido. No haga una prueba de funcionamiento del sistema de encendido con los dedos.
- Deje que el producto se enfríe antes de realizar tareas de mantenimiento cerca del motor.
- Las cuchillas son filosas y pueden causar cortes. Envuelva las cuchillas con protección o utilice guantes protectores cuando trabaje en las cuchillas.
- No gire el motor si quitó el cable de encendido o la bujía.
- Asegúrese de que todas las tuercas y pernos estén correctamente apretados y de que el equipo está en buen estado.
- No cambie el ajuste de los reguladores. Si el régimen del motor es demasiado alto, los componentes del producto pueden dañarse. Consulte la sección *Datos técnicos en la página 56* para ver el régimen del motor máximo permitido.
- El producto se ha aprobado solo con el equipo proporcionado originalmente o recomendado por el fabricante.

---

# Funcionamiento

---

## Introducción



**ADVERTENCIA:** Antes de utilizar el producto, debe leer y entender el capítulo sobre seguridad.

## Para usar el producto por primera vez



**ADVERTENCIA:** Antes de utilizar el producto por primera vez, debe leer y entender este capítulo.

- Utilice una velocidad del acelerador y de avance reducidas cuando use el producto por primera vez.
- No mueva las palancas de control a la posición completamente hacia adelante o a la posición completamente hacia atrás durante la operación inicial.
- Aprenda a desplazar el producto sobre una superficie dura, por ejemplo, hormigón o asfalto, antes de usar el producto sobre césped por primera vez.

## Haga lo siguiente antes de usar el producto



**ADVERTENCIA:** Antes de utilizar el producto, debe leer y entender el capítulo sobre seguridad.



**ADVERTENCIA:** Antes de usar el producto, asegúrese de que no haya piedras u otros objetos en el área de trabajo que puedan salir despedidos por las cuchillas giratorias.

- Realice el mantenimiento diario. Consulte *Programa de mantenimiento en la página 43*.
- Asegúrese de que haya suficiente combustible en el depósito de combustible.
- Ajuste la altura de corte. Consulte *Ajuste de la altura de corte en la página 41*.

## Para agregar combustible



**ADVERTENCIA:** La gasolina es muy inflamable. Tenga cuidado y recargue combustible al aire libre, consulte *Seguridad de combustible en la página 38*.



**ADVERTENCIA:** El motor y el sistema de escape se calientan mucho durante el funcionamiento. Riesgo de lesiones por quemadura. Deje que el motor y el sistema de escape se enfríen antes de cargarle combustible a la máquina.



**ADVERTENCIA:** No utilice el depósito de combustible como un área de soporte.



**AVISO:** Usar el tipo incorrecto de combustible puede causar daños en el motor.

El motor funciona con gasolina con un octanaje mínimo de 91 RON (87 AKI), sin mezclarse con aceite. Recomendamos usar gasolina de alquilato biodegradable.

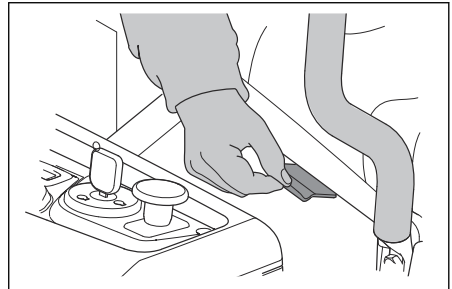
- Realice una comprobación del nivel de combustible antes de cada uso y agregue combustible si es necesario.
- No llene el depósito de combustible completamente. Llénelo hasta la parte inferior del cuello del depósito de combustible.

## Para ajustar el asiento

La posición del asiento se puede mover hacia adelante o hacia atrás.

**Tenga en cuenta:** No realice ajustes en el asiento cuando el producto esté en funcionamiento.

- Tire de la palanca que está debajo del asiento hacia arriba y mueva el asiento hacia delante o hacia atrás.



## Para plegar el asiento

El asiento se puede plegar hacia delante para acceder a la batería y a los engranajes hidrostáticos.

1. Estacione el producto en un terreno plano.



- Empuje el asiento hacia delante para plegarlo hacia delante.

## Para acoplar y desacoplar el freno de estacionamiento

Este producto no tiene una palanca de freno de estacionamiento específica. El freno de estacionamiento está integrado en las 2 palancas de control.

- Empuje las 2 palancas de control hacia afuera del asiento al mismo tiempo para activar el freno de estacionamiento. Consulte *Descripción general del producto en la página 31* para conocer la ubicación de las palancas de control.

**Tenga en cuenta:** El producto debe estar detenido cuando active el freno de estacionamiento.

**Tenga en cuenta:** El motor se detendrá si no empuja las 2 palancas de control lejos del asiento al mismo tiempo.

- Empuje las 2 palancas de control en el sentido del asiento para desactivar el freno de estacionamiento.

## Para desacoplar y acoplar el sistema de transmisión



**AVISO:** Solo desacople o acople el sistema de transmisión cuando el producto esté estacionado sobre una superficie nivelada.

Si es necesario mover el producto de forma manual, con el motor apagado, se debe desacoplar el sistema de transmisión. El varillaje de derivación desacopla y acopla el sistema de transmisión. Los varillajes de derivación se encuentran debajo del protector trasero del motor.

Siga el procedimiento que se describe a continuación para desacoplar el sistema de transmisión.

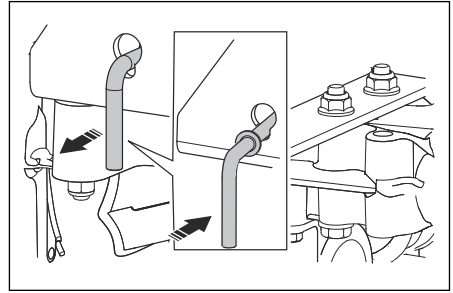
- Estacione el producto en suelo nivelado y detenga el motor.



**ADVERTENCIA:** Deje que el motor se enfríe antes de desacoplar o acoplar el sistema de transmisión.

- Retire la llave de contacto.
- Coloque el equipo de corte en la posición de transporte.
- Coloque las palancas de control en la posición neutra.

- Tire los varillajes de derivación hacia arriba y retírelos de las ranuras.



- Acople el sistema de transmisión en secuencia opuesta.

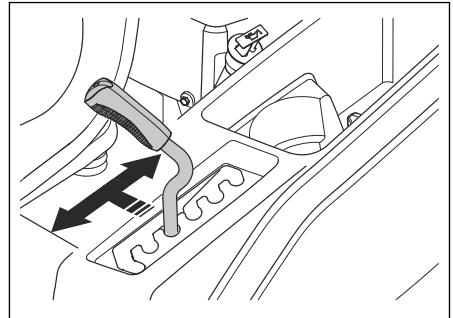
## Para colocar el equipo de corte en la posición de transporte o posición de corte

El equipo de corte debe estar en la posición de transporte durante el transporte.

- Para ajustar el producto en la posición de transporte, tire de la palanca de altura de corte en la dirección del asiento y colóquela en la posición de altura de corte más alta.
- Para ajustar el producto en la posición de corte, ajuste la altura de corte apropiada. Consulte *Ajuste de la altura de corte en la página 41*.

## Ajuste de la altura de corte

- Tire de la palanca de altura de corte en dirección al asiento.

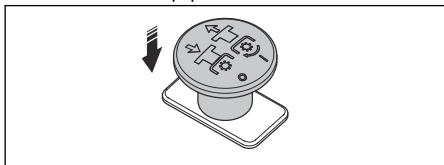


- Dirija la palanca de altura de corte hacia la muesca para obtener la altura de corte correcta.

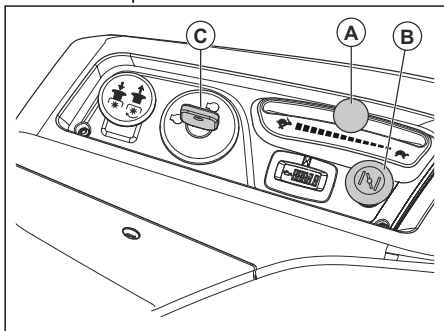
## Para arrancar el motor

- Siéntese en el asiento.

2. Presione el botón de la PTO para desconectar la transmisión del equipo de corte.



3. Coloque el equipo de corte en la posición de transporte. Consulte *Para colocar el equipo de corte en la posición de transporte o posición de corte en la página 41*.
4. Acople el freno de estacionamiento. Consulte *Para acoplar y desacoplar el freno de estacionamiento en la página 41*.
5. Mueva la palanca de acelerador (A) hasta la mitad de la posición del acelerador.



6. Si el motor está frío, tire del estrangulador (B) hacia arriba.
7. Presione y gire la llave de encendido (C) a la posición de arranque.
8. Cuando el motor arranque, suelte inmediatamente la llave de encendido a la posición de marcha.

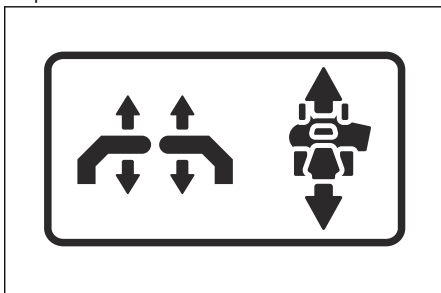
**Tenga en cuenta:** No mantenga la llave de encendido en la posición Start durante más de 5 segundos cada vez. Si el motor no arranca, espere 15 segundos antes de volver a intentarlo.

9. Si el motor está frío, presione lentamente el estrangulador hacia abajo.
10. Deje que el motor marche a aceleración media entre 3 y 5 minutos antes de aplicar la aceleración máxima.
11. Presione el acelerador hasta la posición de aceleración máxima.

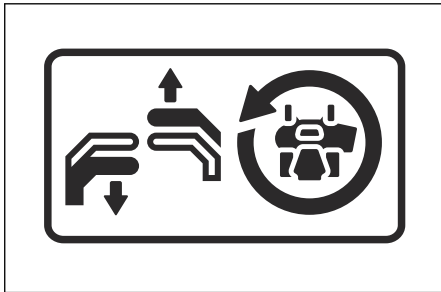
## Para hacer funcionar el producto

1. Arranque el motor. Consulte *Para arrancar el motor en la página 41*.
2. Desacople el freno de estacionamiento. Consulte *Para acoplar y desacoplar el freno de estacionamiento en la página 41*.

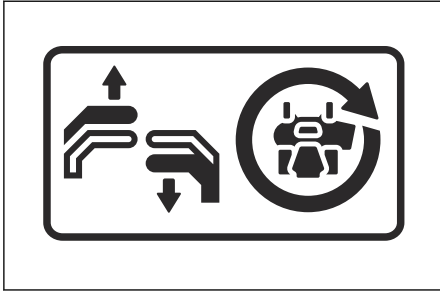
3. Empuje cuidadosamente las 2 palancas de control hacia adelante. El producto comenzará a avanzar. La velocidad de avance aumenta mientras más se empujan hacia adelante las 2 palancas de control.



4. Tire cuidadosamente de las 2 palancas de control hacia atrás. El producto comenzará a retroceder. La velocidad de retroceso aumenta mientras más se empujan hacia atrás las 2 palancas de control.
5. Coloque las 2 palancas de control en posición neutra para disminuir la velocidad y detener el producto.
6. Siga los pasos que se indican a continuación para girar a la izquierda o a la derecha cuando avance.
  - a) Tire de la palanca de control izquierda hacia atrás en la dirección de la posición neutra para hacer que el producto gire a la izquierda. Mientras más tire de la palanca de control izquierda hacia atrás, el producto girará más a la izquierda.



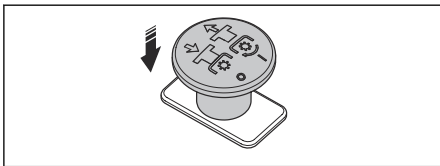
- b) Tire de la palanca de control derecha hacia atrás en la dirección de la posición neutra para hacer que el producto gire a la derecha. Mientras más tire de la palanca de control derecha hacia atrás, el producto girará más a la derecha.



7. Siga los pasos que se indican a continuación para hacer un giro cero.
  - a) Tire de las 2 palancas de control hacia atrás en la dirección de la posición neutra para disminuir la velocidad o detener el producto.
  - b) Mueva 1 palanca de control ligeramente hacia adelante y la otra palanca de control ligeramente hacia atrás para hacer un giro cero.
8. Baje el equipo de corte a la posición de corte. Consulte *Para colocar el equipo de corte en la posición de transporte o posición de corte en la página 41*.
9. Tire del botón de PTO hacia arriba para activar la transmisión de las cuchillas.
10. Si es necesario ajustar la altura de corte durante la operación, consulte la *Ajuste de la altura de corte en la página 41*.

## Detener el motor

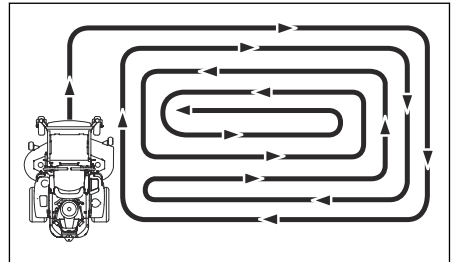
1. Mueva las 2 palancas de control a la posición neutra para detener el producto.
2. Acople el freno de estacionamiento.
3. Presione el botón de PTO para desactivar la transmisión de las cuchillas.



4. Coloque el equipo de corte en la posición de transporte.
5. Mueva el acelerador hasta la posición de aceleración mínima.
6. Deje que el motor funcione en ralentí como mínimo durante 1 minuto hasta que esté a la temperatura de funcionamiento normal.
7. Coloque la llave de encendido en la posición de parada.
8. Retire la llave de encendido del sistema de encendido cuando esté lejos del producto.

## Para conseguir un buen resultado de corte

- Para un mejor funcionamiento, realice el mantenimiento del producto con regularidad como se indica en el programa de mantenimiento. Consulte *Mantenimiento en la página 43*.
- No corte el césped húmedo. El césped húmedo puede causar un mal resultado de corte.
- Empiece con una altura de corte elevada y reduzca gradualmente.
- Utilice la aceleración máxima cuando corte el césped.
- Avance con el producto a baja velocidad si el césped es alto y grueso.
- Corte el césped en un patrón irregular.
- Cuando corte áreas grandes, mueva el producto hacia la derecha durante 1 o 2 vueltas alrededor del área de trabajo. Este procedimiento mantendrá la descarga del césped lejos de arbustos, cercas y entradas de garajes. Después de aproximadamente 2 vueltas alrededor del área de trabajo, corte en el sentido opuesto.



- Cuando utilice el kit de trituración, corte el césped con mayor frecuencia.
- Para obtener los mejores resultados de corte, corte el césped con frecuencia.

## Mantenimiento

### Introducción



**ADVERTENCIA:** Antes de realizar el mantenimiento, debe leer y entender el capítulo de seguridad.

### Programa de mantenimiento

\* = Las instrucciones no se proporcionan en este manual de usuario.

X = Las instrucciones se proporcionan en este manual de usuario.

O = Consulte el manual del motor para ver las instrucciones.

## Programa de mantenimiento para el usuario

Mantenimiento	Para llevar a cabo un mantenimiento diario		Realice el mantenimiento por lo menos 1 vez al año.	Intervalo de mantenimiento en horas			
	Antes	Después		25	50	100	300
Revise el freno de estacionamiento.	X						
Revise el nivel de aceite del motor.	O						
Revise el sistema de seguridad.	X						
Verifique que no haya fugas de combustible ni de aceite del producto.	*						
Verifique que el producto no esté dañado.		*					
Verifique que no haya piezas sueltas.		*					
Revise si el equipo de corte está dañado.		*					
Revise los ajustes del equipo de corte.			X				X
Revise la presión de los neumáticos.	X			X	X	X	X
Revise las conexiones de la batería.			X	X	X	X	X
Revise el cable del acelerador.						O	
Revise las ruedecillas (cada 200 horas).			X			X	
Revise la separación de la válvula del motor. <sup>13</sup>			*				*
Limpie la toma de aire del motor. <sup>14</sup>			O	O			
Limpie la parte inferior del equipo de corte.		X					
Limpie alrededor del motor.		*					
Limpie alrededor de las correas y las poleas de la correa.		*			*	*	*

<sup>13</sup> Esto debe ser realizado por un taller de servicio autorizado.

<sup>14</sup> En condiciones con polvo, la limpieza y el reemplazo se deben realizar con mayor frecuencia.

Mantenimiento	Para llevar a cabo un mantenimiento diario		Realice el mantenimiento por lo menos 1 vez al año.	Intervalo de mantenimiento en horas			
	Antes	Después		25	50	100	300
Revise las correas y las poleas de la correa.			X			X	
Limpie el prefiltro de espuma. <sup>15</sup>			O	O			
Reemplace el prefiltro de espuma. <sup>1617</sup>			O				
Limpie el cartucho del filtro de papel. <sup>18</sup>			O	O			
Examine el silenciador y la rejilla apagachispas.			*		*	*	*
Arranque el motor y las cuchillas, y revise si hay ruidos inusuales.		*					
Afile las cuchillas. <sup>19</sup>			X	X			
Sustituya las cuchillas.			X	X			
Reemplace las bujías.			O			O	
Cambie el aceite del motor. <sup>20</sup>			O	O			
Reemplace el filtro de aceite del motor.			O			O	
Reemplace el filtro de combustible.			O			O	
Reemplace el filtro de aire de papel. <sup>21</sup>			O			O	
Realice el mantenimiento cada 300 horas. <sup>22</sup>			*				*

## Para limpiar el producto



**AVISO:** No utilice lavadores a alta presión ni limpieza a vapor. Podría entrar agua a los cojinetes y las conexiones eléctricas y causar corrosión, lo que puede dañar el producto.

Limpie el producto inmediatamente después de usarlo.

- No limpie las superficies calientes, como el motor, el silenciador y el sistema de escape. Espere hasta que las superficies estén frías y luego retire el césped o la suciedad.
- Antes de limpiar con agua, limpie con un cepillo. Retire el césped y la suciedad de la transmisión, de la toma de aire de la transmisión y del motor, además de sus zonas circundantes.

<sup>15</sup> En condiciones con polvo, la limpieza y el reemplazo se deben realizar con mayor frecuencia.

<sup>16</sup> En condiciones con polvo, la limpieza y el reemplazo se deben realizar con mayor frecuencia.

<sup>17</sup> Si el producto está equipado con el prefiltro de espuma.

<sup>18</sup> En condiciones con polvo, la limpieza y el reemplazo se deben realizar con mayor frecuencia.

<sup>19</sup> Esto debe ser realizado por un taller de servicio autorizado.

<sup>20</sup> Cambie el aceite del motor después de las primeras 8 a 10 horas de funcionamiento. En caso de cargas pesadas o temperaturas ambiente elevadas, reemplace el aceite del motor cada 50 horas.

<sup>21</sup> En condiciones con polvo, la limpieza y el reemplazo se deben realizar con mayor frecuencia.

<sup>22</sup> Esto debe ser realizado por un taller de servicio autorizado.

- Use agua que corra de una manguera para limpiar el producto. No use presión alta.
- No apunte el agua a los componentes eléctricos o los cojinetes. A menudo el detergente aumenta el daño.
- Utilice aire comprimido para limpiar la superficie superior del equipo de corte.
- Utilice una manguera de agua para limpiar debajo del equipo de corte.
- Cuando el producto esté limpio, arranque el equipo de corte durante un breve período para eliminar el agua restante.

## Para limpiar el motor y el silenciador

Mantenga el motor y el silenciador sin recortes de césped y la suciedad. El césped cortado impregnado de combustible o aceite en el motor puede aumentar el riesgo de incendio y el riesgo de sobrecalentamiento del motor. Deje que el motor se enfríe antes de limpiarlo. Limpie con agua y un cepillo.

El césped cortado alrededor del silenciador se seca rápidamente y representa un riesgo de incendio. Utilice un cepillo o retire el césped cortado con agua cuando el silenciador esté frío.

## Para limpiar la batería

La corrosión y la suciedad en la batería y en los terminales pueden hacer que disminuya la potencia de la batería.

1. Extraiga la batería. Consulte *Para retirar e instalar la batería en la página 47*.
2. Enjuague la batería con agua y deje secar.



**AVISO:** No utilice lavadores a alta presión ni limpieza a vapor. Podría entrar agua a los cojinetes y las conexiones eléctricas y causar corrosión, lo que puede dañar el producto.

3. Limpie los terminales y los extremos de los cables de la batería con un cepillo de alambre.

## Para comprobar el freno de estacionamiento

1. Estacione el producto en una pendiente de superficie dura.

**Tenga en cuenta:** No estacione el producto en una pendiente con césped cuando realice la comprobación del freno de estacionamiento.

2. Acople el freno de estacionamiento.
3. Si el producto empieza a moverse con el freno de estacionamiento activado, solicite a un taller de servicio autorizado que ajuste el freno de estacionamiento.
4. Desacople el freno de estacionamiento.

## Para cargar la batería

- Cargue la batería si está demasiado baja para arrancar el motor. Consulte la *Tiempos de carga de la batería en la página 57* para ver los tiempos de carga de la batería.
- Utilice un cargador de batería estándar.



**AVISO:** No utilice un cargador de batería de alta intensidad o un reforzador de arranque. Un cargador o reforzador de arranque dañará el sistema eléctrico del producto.

- Desconecte siempre el cargador de la batería antes de arrancar el motor.

## Para hacer una parada de emergencia del motor

Si la batería está demasiado baja como para arrancar el motor, puede utilizar cables de puente para realizar un arranque de emergencia. Este producto tiene un sistema de 12 V con conexión a tierra negativa. El producto que se utilice para el arranque de emergencia debe tener también un sistema de 12 V con conexión a tierra negativa.

## Para conectar los cables de puente

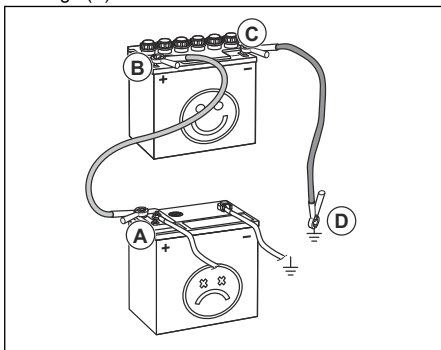


**ADVERTENCIA:** Existe riesgo de explosión debido a los gases explosivos procedentes de la batería. No conecte el terminal negativo de la batería totalmente cargada al terminal negativo de la batería con poca carga o cerca de este.



**AVISO:** No utilice la batería del producto para arrancar otros vehículos.

1. Conecte un extremo del cable rojo al terminal POSITIVO (+) de la batería a la batería con poca carga (A).



2. Conecte el otro extremo del cable rojo al terminal POSITIVO (+) de la batería a la batería totalmente cargada (B).



**ADVERTENCIA:** No haga cortocircuitos en los extremos del cable rojo contra el chasis.

3. Conecte un extremo del cable negro al terminal NEGATIVO (-) de la batería a la batería totalmente cargada (C).
4. Conecte el otro extremo del cable negro a una buena CONEXIÓN A TIERRA DEL CHASIS (D), alejado del depósito de combustible y la batería.

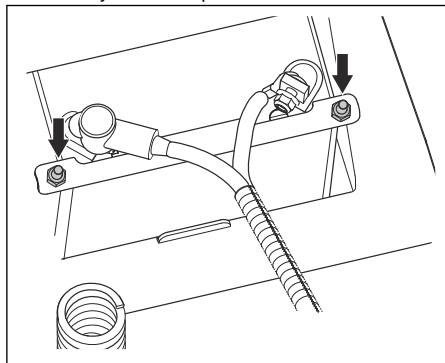
### Para retirar los cables de puente

**Tenga en cuenta:** Quite los cables de puente en la secuencia opuesta a cómo los conectó.

1. Quite el cable NEGRO del chasis.
2. Quite el cable NEGRO de la batería totalmente cargada.
3. Quite el cable ROJO de las 2 baterías.

### Para retirar e instalar la batería

1. Pliegue el asiento hacia delante. Consulte *Para plegar el asiento en la página 40*.
2. Saque el perno y la tuerca del soporte de la batería y retire el soporte de la batería.



3. Utilice 2 llaves para desconectar el cable negro de la batería del terminal negativo (-) en la batería.
4. Utilice 2 llaves para desconectar el cable rojo de la batería del terminal positivo (+) en la batería.
5. Retire con cuidado la batería del producto.
6. Vuelva a instalar todo en el orden inverso.

### Para ajustar la velocidad de desplazamiento

Si el producto no se mueve en línea recta hacia adelante, se debe ajustar la velocidad de desplazamiento.



**ADVERTENCIA:** Ajuste siempre la velocidad de desplazamiento en un área abierta sin transeúntes.

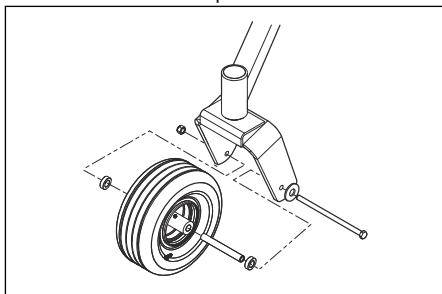
1. Revise la presión de los neumáticos. Consulte *Presión de los neumáticos en la página 47*.
2. Gire los controles de seguimiento hacia afuera hasta que estén alineados con las tuercas. Consulte *Descripción general del producto en la página 31* para conocer la ubicación de los controles de seguimiento.
3. Encienda el producto.
4. Mueva las palancas de control completamente hacia adelante y opere el producto en aceleración máxima.
5. Gire el control de desplazamiento del lado derecho gradualmente hasta que el producto empiece a moverse a la derecha.
6. Gire el control de desplazamiento del lado izquierdo gradualmente hasta que el producto empiece a moverse en línea recta hacia adelante.

### Presión de los neumáticos

Asegúrese de tener la presión correcta de los neumáticos en los 4 neumáticos. Consulte *Datos técnicos en la página 56*.

### Para retirar e instalar las ruedas delanteras

1. Retire la tuerca y el perno para quitar las ruedas delanteras de las horquillas.



2. Vuelva a instalar todo en el orden inverso. Apriete la tuerca y el perno a 67,8 Nm/50 lb-pie.

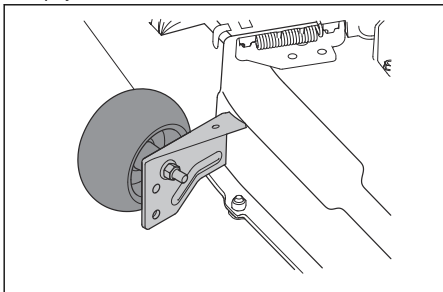
### Para ajustar las ruedas de apoyo

Las ruedas de apoyo mantienen el equipo de corte en la posición correcta sobre el suelo y evitan el corte al ras del césped en la mayoría de las condiciones del terreno. Las ruedas de apoyo se pueden establecer en 3 posiciones para longitudes diferentes de césped:

- Posición superior: Césped de 1,5 a 2,5 in / de 38 a 64 mm

- Posición media: Césped de 2,5 a 4 in / de 64 a 102 mm
- Posición inferior: Césped de 4 a 5 in / de 102 a 127 mm

1. Estacione el producto en suelo nivelado y detenga el motor.
2. Retire la tuerca, el perno, el eje y la rueda de apoyo.



3. Instale las ruedas de apoyo en una de las tres posiciones.

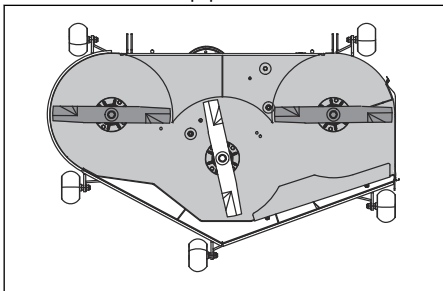


**AVISO:** El equipo de corte puede dañarse si las ruedas de apoyo se ajustan incorrectamente. Las ruedas de apoyo deben estar aproximadamente a 1/4 in / 6,4 mm del suelo.

## Para ajustar el paralelismo del equipo de corte

Este procedimiento permitirá colocar al equipo de corte en una posición estándar.

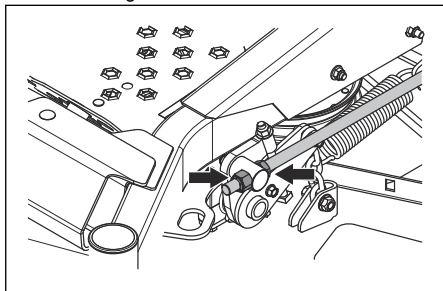
1. Asegúrese de que la presión de los neumáticos sea la correcta. Consulte *Presión de los neumáticos en la página 47*.
2. Estacione el producto sobre una superficie nivelada.
3. Gire las puntas externas de la cuchilla para alinearlas con el equipo de corte de lado a lado.



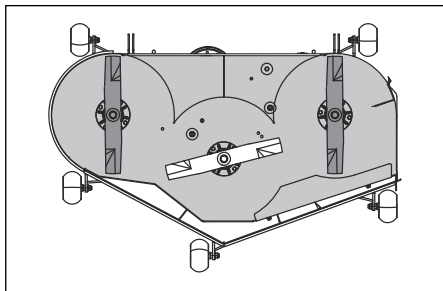
**ADVERTENCIA:** Las cuchillas del equipo de corte están

afiladas y pueden causar lesiones. Use guantes protectores.

4. Mida la distancia entre el suelo y la parte inferior de la punta de la cuchilla en el lado de descarga del equipo de corte. Tome nota de la distancia.
5. Mida la distancia entre el suelo y la parte inferior de la punta de la cuchilla en el lado opuesto al lado de descarga. La distancia debe ser la misma que la distancia del lado de descarga. Si es necesario realizar ajustes, ajuste los 2 pernos delanteros hasta que las 2 distancias de lado a lado sean iguales.



6. Gire las 2 cuchillas exteriores para alinearlas con el equipo de corte desde la parte delantera a la trasera.



7. Ajuste las 2 tuercas traseras hasta que las puntas de la cuchilla trasera estén entre 1/8 y 3/8 in / 3,2 y 9,5 mm más altas en la parte trasera que las puntas de la cuchilla delantera.
8. Mida otra vez las distancias para asegurarse de que el equipo de corte se haya ajustado correctamente.

## Para examinar las cuchillas



**AVISO:** Las cuchillas dañadas o mal equilibradas pueden dañar el producto. Reemplace las cuchillas dañadas. Deje que en un taller de servicio autorizado le ayuden a afilar y equilibrar las cuchillas romas.

- Mire las cuchillas para ver si están dañadas y si es necesario afilarlas.



## Para sustituir las hojas

1. Retire el tornillo de la cuchilla.
2. Monte la cuchilla nueva con el lado sin sellos en la dirección del equipo de corte.



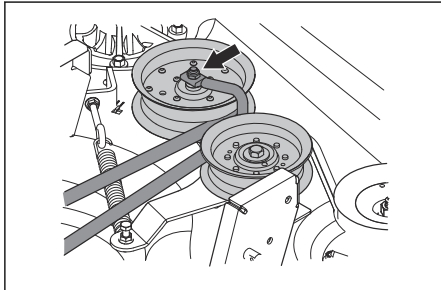
**ADVERTENCIA:** El tipo incorrecto de cuchilla puede causar que se propulsen objetos desde el equipo de corte y provocar daños graves. Utilice únicamente cuchillas aprobadas.

3. Fije el tornillo de la cuchilla. Apriete el perno a 60-81 Nm.

## Para extraer la correa del equipo

Estacione el producto en una superficie nivelada y active el freno de estacionamiento antes de realizar esta tarea.

1. Coloque el equipo de corte en la posición más baja.
2. Retire las 2 cubiertas de la correa.
3. Retire la suciedad y los materiales no deseados alrededor de la cortadora y de la superficie del equipo de corte.
4. Tome nota de la posición de la guía de la correa.
5. Afloje la tuerca de la guía de la correa.



6. Presione el brazo guía para disminuir la tensión en la correa del equipo de corte y retire con cuidado la correa del equipo de las poleas.
7. Retire la correa del equipo del embrague eléctrico en el eje del motor.

## Para instalar la correa del equipo

1. Coloque la correa del equipo alrededor de la polea del embrague eléctrico en el eje del motor.
2. Coloque la correa del equipo alrededor de las poleas en el equipo de corte.

**Tenga en cuenta:** Consulte la etiqueta de recorrido que se encuentra en el equipo de corte cuando instale la correa del equipo.

3. Presione el brazo guía hasta que pueda colocar la correa del equipo alrededor de la polea tensora fija y sosténgala ahí.

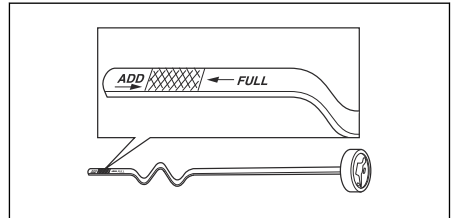
4. Coloque con cuidado la correa del equipo alrededor de la polea tensora fija y suelte lentamente el brazo de la polea tensora en su posición.
5. Asegúrese de que el recorrido de la correa coincida con el que se muestra en la etiqueta de recorrido de la correa.
6. Asegúrese de que la correa del equipo no esté torcida.
7. Coloque la guía de la correa en la posición correcta y apriete la tuerca.

**Tenga en cuenta:** Consulte la nota que hizo cuando quitó la guía de la correa.

8. Instale las 2 cubiertas de la correa.

## Para revisar el nivel de aceite del motor

1. Estacione el producto en suelo nivelado y detenga el motor.
2. Tire para abrir el amortiguador del operador y acceder al motor.
3. Afloje la varilla de nivel y extráigala.
4. Limpie el aceite de la varilla de nivel.
5. Coloque la varilla de nivel en el orificio de la varilla de nivel y apriétela.
6. Afloje y extraiga la varilla de nivel y lea el nivel de aceite.
7. El nivel de aceite debe estar entre las marcas de la varilla de nivel. Si el nivel está cerca de la marca ADD (Agregar), llene con aceite hasta la marca FULL (Lleno).



8. Cargue el aceite a través del orificio de la varilla de nivel. Cargue lentamente el aceite.

**Tenga en cuenta:** Consulte *Datos técnicos en la página 56* para ver los tipos de aceite del motor que Husqvarna recomienda. No mezcle diferentes tipos de aceite.

9. Apriete la varilla de nivel completamente antes de arrancar el motor.

## Para cambiar el aceite del motor:

Si el motor está frío, arránquelo entre 1 y 2 minutos antes de drenar el aceite del motor. Esto calienta el aceite del motor, por lo que se drena más rápido.

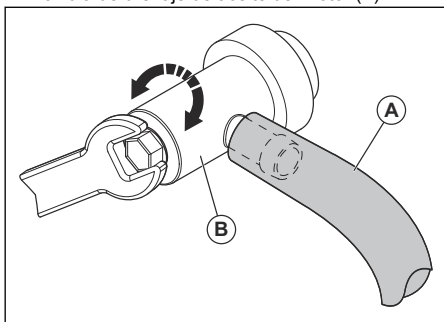


**ADVERTENCIA:** No haga funcionar el motor durante más de 1-2 minutos antes de drenar el aceite del motor. El aceite del motor se calienta mucho y puede causar quemaduras graves. Deje que el motor se enfríe antes de drenar el aceite del motor.



**ADVERTENCIA:** Si se derrama aceite del motor en su cuerpo, limpie con agua y jabón.

1. Estacione el producto en suelo nivelado y detenga el motor.
2. Acople el freno de estacionamiento. Consulte *Para acoplar y desacoplar el freno de estacionamiento en la página 41.*
3. Retire toda la suciedad alrededor del tapón del depósito de aceite.
4. Retire el tapón del depósito de aceite y la varilla de nivel.
5. Instale el tubo de drenaje de aceite (A) en la válvula de drenaje de aceite del motor (B).



6. Coloque un recipiente debajo del motor para reunir el aceite del motor.
7. Gire la válvula de drenaje de aceite hacia la izquierda para abrir la válvula de drenaje de aceite. Utilice una llave de 10 mm.

8. Cuando se haya drenado todo el aceite del motor, gire la válvula de drenaje de aceite hacia la derecha para cerrarla. Utilice una llave de 10 mm.
9. Utilice la llave de 10 mm para apretar cuidadosamente la válvula de drenaje de aceite en la posición cerrada. No apriete en exceso.



**AVISO:** No aplique demasiada fuerza cuando apriete la válvula de drenaje de aceite.

10. Retire el tubo de drenaje de aceite de la válvula de drenaje de aceite.
11. Cargue con aceite nuevo y revise el nivel de aceite del motor. Consulte *Para revisar el nivel de aceite del motor en la página 49.*
12. Instale el tapón del depósito de aceite y la varilla de nivel.

**Tenga en cuenta:** Para una eliminación segura del aceite del motor usado, consulte *Eliminación en la página 55.*

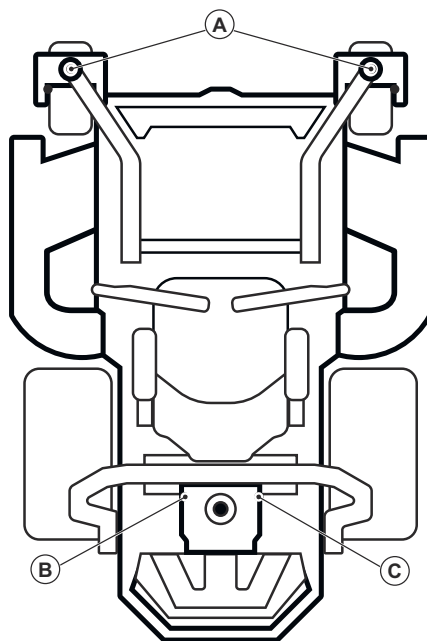
## Lubricación; información general

- Retire la llave de contacto para evitar movimientos involuntarios durante las tareas de lubricación.
- Limpie el área antes de lubricar una pieza del producto.
- Utilice aceite cuando lubrique con una lata de aceite.
- Cuando lubrique con grasa, utilice grasa para chasis o grasa para cojinetes de bolas que evite la corrosión. Retire la grasa no deseada después de la lubricación.
- Lubrique el producto 2 veces a la semana si lo utiliza a diario.
- No derrame lubricante en las correas de transmisión o en las ranuras de las poleas de correa. Si se derrama, limpie con alcohol. Si la fricción entre la correa de transmisión y la polea no es suficiente después de limpiar con alcohol, reemplace la correa de transmisión.



**AVISO:** No utilice gasolina ni otros productos petrolíferos para limpiar las correas de transmisión.

## Programa de lubricación

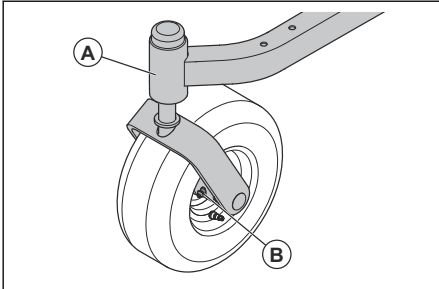


Consulte	Lubricación	Intervalo			
		A día-rio	Cada 25 horas	Cada 50 horas	Cada 200 horas
A	Lubrique la boquilla de engrase en el eje de pivote con una pistola de engrase.		X		
B	Compruebe el nivel de aceite.	X			
C	Reemplace el filtro de aceite.				X

Utilice siempre grasa de buena calidad. Utilice siempre el aceite recomendado, consulte los *Datos técnicos en la página 56*.

## Para lubricar las ruedas delanteras

- Engrase la boquilla (A) con una pistola de engrase hasta que la grasa salga de la arandela superior.



- Lubrique el cojinete de junta de las ruedas delanteras (B) con una pistola de engrase hasta que salga la grasa.

---

## Solución de problemas

---

### Programa de solución de problemas

Si no encuentra una solución a sus problemas en este manual de usuario, consulte a su taller de servicio de Husqvarna.

Problema	Causa
El motor no arranca.	La transmisión de las cuchillas está activada. Consulte <i>Botón de toma de fuerza (PTO)</i> en la página 32.
	Las palancas de control no están bloqueadas en la posición exterior.
	La batería tiene muy poca carga. Consulte <i>Para cargar la batería</i> en la página 46.
	Hay suciedad en el carburador o la tubería de combustible.
	La válvula de corte de combustible está cerrada o en una posición incorrecta.
	El filtro de combustible o el tubo de combustible están obstruidos.
	El sistema de encendido está dañado.
El motor de arranque no hace girar el motor.	La batería tiene muy poca carga. Consulte <i>Para cargar la batería</i> en la página 46.
	La conexión de los conectores del cable con los terminales de la batería está mal. Consulte <i>Para limpiar la batería</i> en la página 46.
	Un fusible está fundido. Consulte <i>Fusibles</i> en la página 33.
	El control de presencia del usuario no funciona correctamente. Consulte <i>Control de presencia del operador (OPC)</i> en la página 31.

<b>Problema</b>	<b>Causa</b>
El motor no funciona correctamente.	El carburador está mal ajustado.
	El filtro de combustible o el suministro de combustible están obstruidos.
	La palanca de acelerador está en la posición de arranque en clima frío.
	La válvula de comprobación en el tapón del depósito de combustible está obstruida.
	El depósito de combustible está casi vacío.
	La bujía está dañada.
	Mezcla de combustible o tipo de combustible incorrecto.
	Hay agua en el combustible.
	El filtro de aire está obstruido.
Aparentemente el motor no tiene energía.	El filtro de aire está obstruido.
	La bujía está dañada.
	El carburador está mal ajustado.
	Hay aire en el sistema hidráulico.
Hay vibración en el producto.	Las cuchillas están sueltas. Consulte <i>Para examinar las cuchillas en la página 48</i> .
	Una o varias cuchillas se encuentran desequilibradas. Consulte <i>Para examinar las cuchillas en la página 48</i> .
	El motor está suelto.
El motor se sobrecalienta.	El filtro de aire o las aletas de refrigeración están obstruidas.
	Hay sobrecarga en el motor.
	El flujo de aire alrededor del motor no es suficiente.
	El regulador de régimen del motor está dañado.
	El nivel de aceite es demasiado bajo.
	Hay suciedad en el tubo de combustible.
	La bujía está dañada.
La batería no se carga.	La conexión de los conectores del cable con los terminales de la batería está mal. Consulte <i>Para limpiar la batería en la página 46</i> .
	El cable de carga está desconectado.
El producto se mueve lentamente, con velocidad irregular o no se mueve.	Los varillajes de derivación están conectados.
	La correa de transmisión está floja o dañada.
	Hay aire en el sistema hidráulico.

Problema	Causa
La transmisión de las cuchillas no se acciona.	La correa de transmisión del equipo de corte está floja.
	El contacto del acoplamiento electromagnético está flojo.
	La transmisión de la cuchilla está dañada o suelta de los conectores de cable.
	Un fusible está fundido.
El transeje tiene fugas de aceite.	Los sellos, la caja o las juntas están dañados.
	Hay aire en el sistema hidráulico.
El resultado de corte no es satisfactorio.	La presión de los neumáticos es distinta en los lados derecho e izquierdo. Consulte <i>Presión de los neumáticos en la página 47</i> .
	Las cuchillas están dañadas.
	La suspensión del equipo de corte no está nivelada.
	Las cuchillas no tienen filo. Consulte <i>Para examinar las cuchillas en la página 48</i> .
	El producto funciona a una velocidad de avance o retroceso demasiado alta. Consulte <i>Para conseguir un buen resultado de corte en la página 43</i> .
	El césped es largo. Consulte <i>Para conseguir un buen resultado de corte en la página 43</i> .
	El equipo de corte está obstruido con césped. Consulte <i>Para limpiar el producto en la página 45</i> .

## Transporte, almacenamiento y eliminación de residuos

### Transporte

- El producto es pesado y puede causar lesiones por aplastamiento. Tenga cuidado cuando lo cargue o descargue de un vehículo o remolque.
- Cargue el producto en reversa por las rampas autorizadas con un ángulo máximo de operación de 10°. No levante el producto.
- Utilice un remolque aprobado para el transporte del producto.
- Asegúrese de conocer las normas del tránsito locales antes de transportar el producto en un remolque o por caminos.
- Detenga el suministro de combustible del producto.
- Bloquee el producto con dispositivos autorizados, como correas. Utilice puntos de amarre en el producto. El freno de estacionamiento no es suficiente para bloquear el producto durante el transporte.

### Para remolcar el producto



**ADVERTENCIA:** Antes de remolcar el producto, debe leer y entender el contenido del capítulo sobre seguridad. Consulte *Seguridad de remolque en la página 38*.

- Tenga cuidado al remolcar el producto.
- Opere lentamente el producto cuando lo remolque.
- La distancia de frenado aumenta cuando se remolca el producto. Asegúrese de disminuir la velocidad a tiempo.
- Para un uso seguro, realice giros amplios.
- No remolque cerca de zanjas, aguas abiertas ni otras áreas peligrosas.

### Almacenamiento

Prepare el producto para guardarlo al final de la temporada, y antes de más de 30 días de almacenamiento. Si mantiene combustible en el depósito de combustible durante 30 días o más, partículas pegajosas pueden obstruir el carburador.

Esto afecta negativamente el funcionamiento del motor.

Para evitar partículas pegajosas durante el almacenamiento, agregue un estabilizador. Si se utiliza gasolina de alquilato, no es necesario un estabilizador. Si se utiliza gasolina estándar, no cambie a gasolina de alquilato. Esto puede provocar que las piezas de goma sensibles se endurezcan. Agregue estabilizador al combustible del depósito o al contenedor usado para el almacenamiento. Utilice siempre las proporciones de mezcla indicadas por el fabricante. Añada el estabilizador y haga funcionar el motor durante un mínimo de 10 minutos, hasta que el combustible fluya hacia el carburador.



**ADVERTENCIA:** No mantenga el producto con combustible en el depósito en interiores o en lugares con mala ventilación. Existe riesgo de incendio si los vapores de combustible alcanzan llamas abiertas, chispas o luces piloto, como calderas, depósitos de agua caliente y secadoras de ropa.



**ADVERTENCIA:** Retire el césped, las hojas y otros materiales inflamables del producto para reducir el riesgo de incendio. Deje que el producto se enfríe antes de guardarlo.

- Limpie el producto, consulte la sección *Para limpiar el producto en la página 45*.
- Retire los materiales no deseados del ventilador de refrigeración.
- Repare los daños de la pintura para evitar la corrosión.
- Examine el producto en busca de piezas dañadas o desgastadas y apriete las tuercas y los tornillos sueltos.
- Extraiga la batería. Límpiela, cárguela y manténgala fría durante el almacenamiento.
- Reemplace el aceite del motor y deseche el aceite residual.
- Vacíe el depósito de combustible. Arranque el motor y déjelo en marcha hasta que no quede combustible en el carburador.

**Tenga en cuenta:** No vacíe el depósito de combustible ni el carburador si se ha agregado un estabilizador.

- Extraiga los tapones y ponga aproximadamente una cucharadita de aceite del motor en cada cilindro. Gire manualmente el eje del motor para aplicar el aceite y ponga los tapones de nuevo.
- Lubrique todas las boquillas de engrase, juntas y ejes.
- Mantenga el producto en una zona limpia y seca, y cúbralo para mayor protección.

## Eliminación

- Las sustancias químicas pueden ser peligrosas y no deben tirarse en el suelo. Siempre elimine los productos químicos utilizados en un centro de servicio o un lugar adecuado para su eliminación.
- Cuando el producto se desgaste completamente, envíelo al distribuidor o a un centro de reciclaje aplicable.
- El aceite, los filtros de aceite, el combustible y la batería pueden tener efectos negativos en el ambiente. Obedezca las regulaciones vigentes y requisitos de reciclaje locales.
- No deseche la batería como un residuo doméstico.
- Envíe la batería a un taller de servicio Husqvarna o deséchela en un lugar para eliminación de baterías usadas.

## Datos técnicos

### Datos técnicos

	<b>Z254</b>
<b>Motor</b>	
Marca / Modelo	Kawasaki / FR691V
Potencia normal del motor, hp / kW <sup>23</sup>	23 / 17
Cilindrada, cm <sup>3</sup>	726
Máx. régimen del motor, rpm	3500 ± 100
Combustible, grado de octanos mínimo sin plomo, etanol al 10 % máx., 15 % MTBE máx.	87
Volumen del depósito, galones / l	3,5 / 13,3
Aceite	Clase SF, SG, SH, SJ o SL SAE40, SAE30, SAE20W-50, SAE10W-40, SAE10W-30, SAE5W-20
Volumen de aceite con filtro, oz / l	70,4 / 2,1
Volumen de aceite sin filtro, oz / l	60,8 / 1,8
Sistema de lubricación	Presión con filtro de aceite
Sistema refrigerante	Refrigerado por aire
Filtro de aire	Estándar
Alternador, V. amp. a 3600 rpm	12 V 15 A a 3600 rpm
Motor de arranque	Arranque eléctrico de 12 V
<b>Dimensiones</b>	
Longitud, in / cm	75 / 191
Ancho, in / cm	43,75 / 111
Ancho con la tolva arriba, in / cm	56 / 143
Ancho con la tolva abajo, in / cm	67 / 170
Altura, mm	40 / 102
Peso con tanques vacíos, lb / kg	593 / 269
Gradiente máxima, grados °	10
Ancho de corte, in / cm	54 / 137
Altura de corte, in / cm	De 1,5 a 4 / de 3,8 a 10,2
<b>Equipo de corte</b>	
Construcción del equipo	Grabado
Cantidad de cuchillas	3
Longitud de la hoja, in / cm	18,25 / 46,4

<sup>23</sup> La potencia nominal declarada por el fabricante del motor es la salida de potencia bruta promedio en las RPM especificadas de un motor típico de producción para el modelo del motor medido utilizando las normas SAE de potencia bruta del motor. Consulte las especificaciones del motor del fabricante.



	<b>Z254</b>
Acoplamiento de la cuchilla	Embrague electromagnético
Productividad, acres/h / m <sup>2</sup> /h	2,8/11.331
<b>Neumáticos</b>	
Presión de los neumáticos, traseros y delanteros, kPa / PSI / bar	103 / 15 / 1
Neumáticos de la ruedecilla delantera, in	11x 6-5
Neumáticos traseros, neumático para césped, in	18 x 9,5-8
Ruedas de apoyo	4 ajustables
<b>Transmisión</b>	
Transmisión	Transejes hidrostáticos
Control de la dirección	Dos palancas, sujeción de espuma
Velocidad máxima de avance, mph / kmh	6,5 / 10,5
Velocidad máxima de retroceso, mph / kmh	3,25 / 5,23
Frenos	Freno de estacionamiento mecánico
<b>Sistema eléctrico</b>	
Tipo	12 V
Batería	28 A
Bujía	NGK BPR4ES
Distancia entre los electrodos, in / mm	0,030 / 0,76
Par de la bujía, lb-pie / Nm	16 / 22

## Tiempos de carga de la batería

Batería STD	Estado de carga	Tiempo de caga aproximado para carga completa a 26 °C/80 °F <sup>24</sup>			
		Régimen máximo en:			
		50 amperios	30 amperios	20 amperios	10 amperios
12,6 V	100 %	Completamente cargada			
12,4 V	75 %	20 min.	35 min.	48 min.	90 min.
12,2 V	50 %	45 min.	75 min.	95 min.	180 min.
12,0 V	25 %	65 min.	115 min.	145 min.	280 min.
11,8 V	0 %	85 min.	150 min.	195 min.	370 min.

<sup>24</sup> El tiempo de carga de la batería puede ser diferente debido a la capacidad, la condición, la antigüedad, la temperatura y la eficiencia del cargador.

---

## Servicio

---

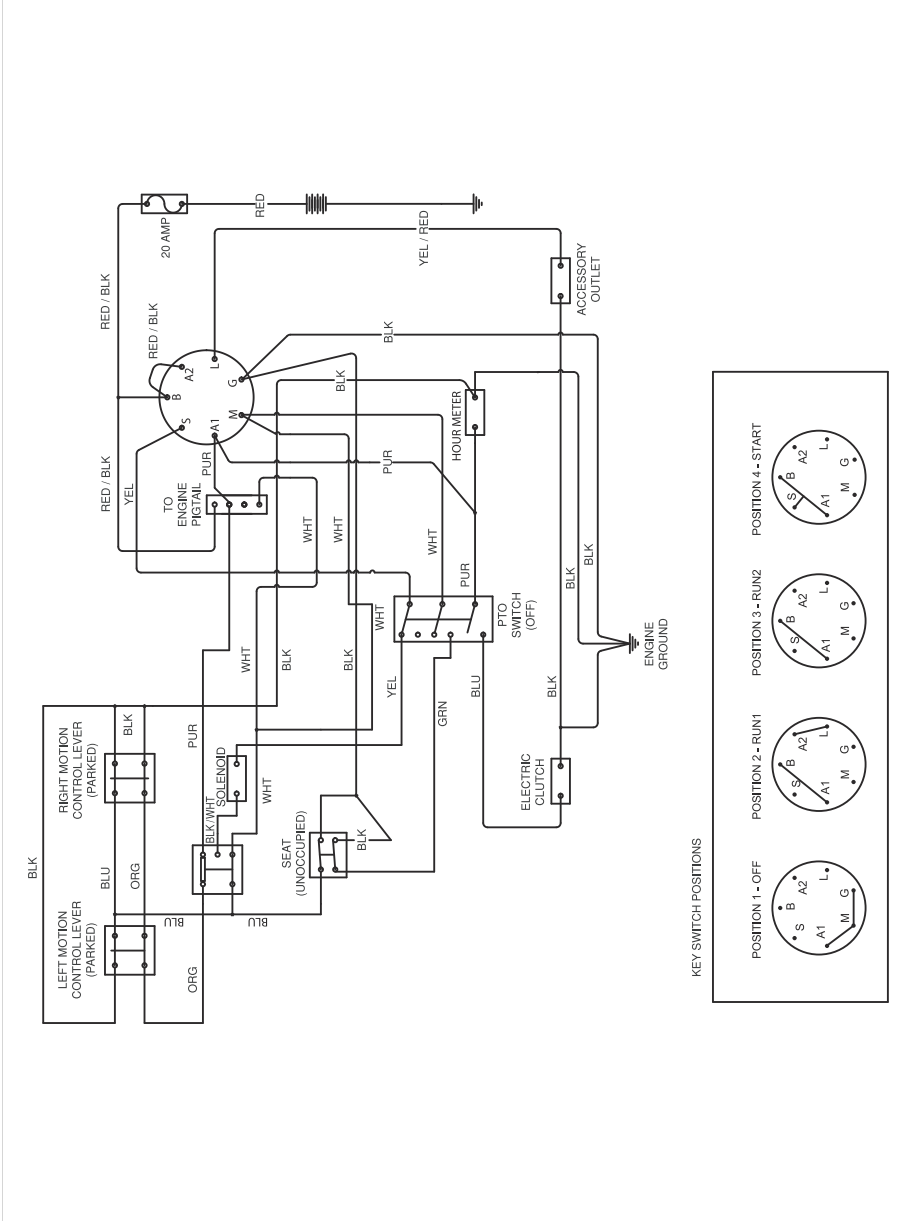
### Servicio

Realice una comprobación anual en un centro de servicios autorizado para asegurarse de que el producto funciona de forma segura y a su máximo potencial durante la temporada alta. El mejor momento para hacer mantenimiento o reparaciones a este producto es en la temporada baja.

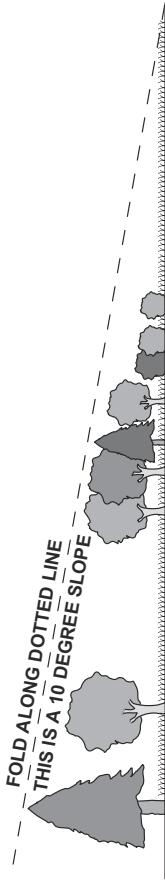
Cuando envíe un pedido de piezas de repuesto, dé información sobre el año de compra, modelo, tipo y número de serie.

Utilice siempre piezas de repuesto originales.

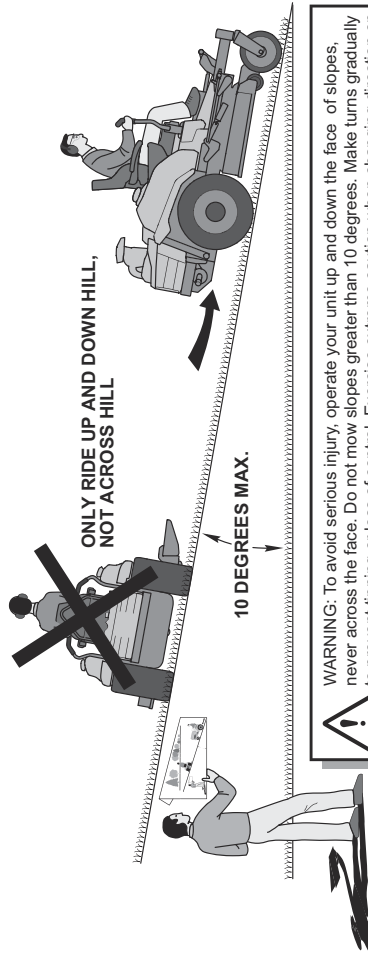
# Diagrama eléctrico



## SUGGESTED GUIDE FOR SIGHTING SLOPES FOR SAFE OPERATION



1. Fold this page along dotted line indicated above.
2. Hold page before you so that its left edge is vertically parallel to a tree trunk or other upright structure.
3. Sight across the fold in the direction of hill slope you want to measure.
4. Compare the angle of the fold with the slope of the hill.



**WARNING:** To avoid serious injury, operate your unit up and down the face of slopes, never across the face. Do not mow slopes greater than 10 degrees. Make turns gradually to prevent tipping or loss of control. Exercise extreme caution when changing direction on slopes. Do not mow near drop-offs, ditches, or embankments. Keep at least the width of the machine away from these hazards.  
Failure to follow these warnings could lead to death or serious injury.









# Husqvarna®

[www.husqvarna.com](http://www.husqvarna.com)

Original instructions  
Instrucciones originales

1143684-49/1



2023-10-03