



# DK10 Series

45 - 55 HP



# DK10 SERIES

Big power without the big price tag.

Go ahead and compare the DK10 Series with the competition's 45 to 55 HP models. When it comes to power, performance and features for the money, these tractors are tough to beat.

Open Platform ROPS Design  
Synchro Shuttle

Powerful & Rugged  
Excellent Value







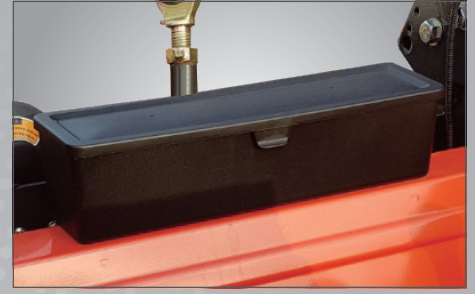
### Eco-Friendly Diesel Engine

The Common Rail Diesel Engine (CRDI) improves fuel efficiency while reducing noise levels. With this eco-friendly Stage 5 engine, the DK10 Series offers the operator a quiet work environment with powerful performance.



### Power & Tilt Steering

The standard power steering minimizes the effort required to make tight, repetitive turns. The steering wheel tilts with a compression style lever, allowing easy adjustment to fit operator needs.



### Tool Box

A conveniently located tool box behind the seat provides storage.

### Fender Grip

The fender grip, available on both sides of the tractor, makes it easier to get in and out of the tractor.



### Illuminated Dashboard

The digital dashboard ensures great visibility while working in bright daylight or at night.

### Controls

Control buttons and shift lever are conveniently located for ease of use.

# EXPERIENCE THE POWERFUL DK10



## Rugged Design

The hood design provides the operator with excellent visibility and enables quick and convenient access for daily maintenance. The self supporting hood with air cylinder makes for easier maintenance.

## Deluxe Suspension Seat

Ergonomically designed, adjustable suspension seat allows the operator to ride in comfort no matter what the task may be. The DK10 prioritizes operator safety with a seat belt and operator presence switch standard.



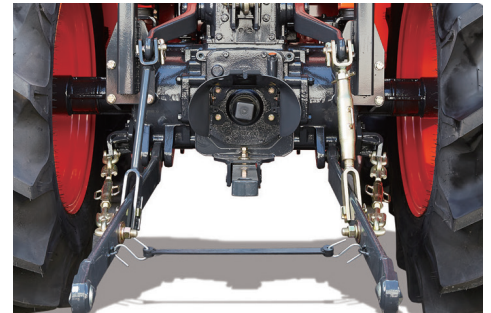
## 3-Point Control Lever

The 3-point control lever easily raises and lowers the lift arms when attaching implements. Use the Rear 3-Point Control Handle to raise and lower the lift arms when accessing the back of the tractor.



## PTO Cruise

With one touch, engine speed may be set to maintain steady rpm to maximize working efficiency. When engaged, the operator may change the engine rpm by simply pressing a switch to increase or decrease the rpm.



## Improved Performance

The large capacity hydraulic pump (14.5 gpm) combined with high lift capacity (2,716 lbs.) increases productivity.



## Rear Differential Lock

The easy access differential lock lever allows for easy engagement/disengagement of the differential lock allowing you to maintain traction on uneven or muddy terrain.



## 4WD Engagement

The 4WD comes standard on all models and is engaged with an easy access lever.



## Tail Lamp

The stylish tail lights improve operator safety by increasing visibility of the operator.



### Compact Height

The low ground to steering wheel height (only 55.5 in.) and seat height (41 in.) allows for working in tight spaces such as greenhouses and orchards.



### High Ground Clearance

The maximum ground clearance of 14.5 in. provides sufficient clearance for use on rocky or uneven terrain.



### Center Marker

The center ridge marker on the hood assists with maintaining straight lines during operation.

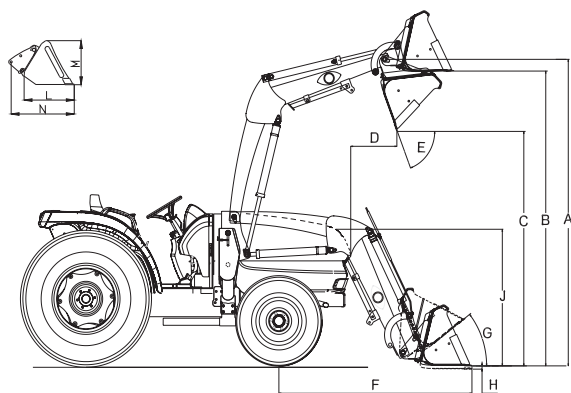


# KIOTI TRACTOR DK10 SERIES



## Front End Loader

The KIOTI KL5520 front end loader is specifically designed for the DK10 Series tractors, providing efficient performance with single lever joystick control. The KIOTI loader, with a built-in parking stand, is designed to be quickly and easily attached and detached. KL Series loaders utilize the tractor's hydraulic system, feature single lever control with float and come with a bucket level indicator.

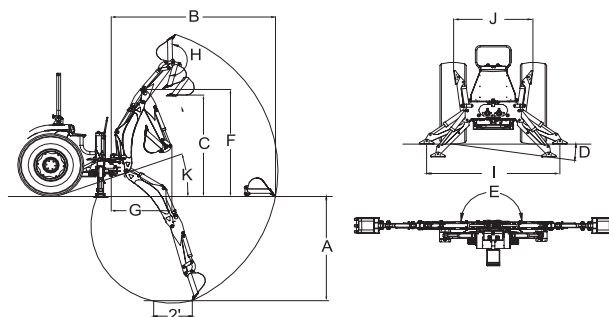


### Loader Specifications

MODEL	KL5520
A Maximum Lift Height to Pivot Pin	105.7 in. (2,686 mm)
B Clearance w/ Bucket Level	94.4 in. (2,397 mm)
C Clearance w/ Bucket Dumped	76.8 in. (1,951 mm)
D Reach at Maximum Height (45°)	23.0 in. (585 mm)
E Maximum Dump Angle	46°
F Reach w/ Bucket on Ground	73.1 in. (1,858 mm)
G Maximum Rollback Angle	43°
H Digging Depth Below Grade	10.5 in. (268 mm)
J Overall Height in Carry Position	52.5 in. (1,335 mm)
L Bucket Depth (Inner Shell)	21.6 in. (549 mm)
M Bucket Height	22.6 in. (576 mm)
N Bucket Length (Pivot Pin)	29.2 in. (742 mm)
Lift Capacity to Full Height at Pivot Pins	2,474 lbs. (1,122 kg)
Breakout Force at Pivot Pins	3,895 lbs. (1,767 kg)
Bucket Rollback Force at Ground Line	3,148 lbs. (1,428 kg)
Relief Valve Setting (Loader Control Valve)	2,273 psi (195 kg/cm <sup>2</sup> )
Rated Flow (Tractor System)	4.2 gpm (16 L/min)
Bucket Sizes Available (QA)	66 in. / 72 in.
Approximate Weight (With Bucket)	66 in.: 1,360 lbs. (617 kg) / 72 in.: 1,389 lbs. (630 kg)
Bucket Capacity (Heaped)	66 in.: 13.4 cu. ft. / 72 in.: 15.5 cu. ft.

## Backhoe

The KIOTI KB2485 Series backhoe lets you trench up to 94.4 inches deep with a bucket dig force up to 3,748 pounds. The KB2485 backhoe features subframe mounting, responsive two lever controls with exceptional feathering, hydraulic stabilizers, transport lock and a variety of standard and heavy-duty buckets.



### Backhoe Specifications

MODEL	KB2485
A Digging Depth (Two Foot Flat Bottom)	94.4 in. (2,400 mm)
B Reach from Center Line of Swing Pivot	136.1 in. (3,460 mm)
C Loading Height (Bucket at 60°)	80.3 in. (2,040 mm)
D Maximum Leveling Angle	10°
E Swing Arc	180°
F Transport Height (Maximum)	92.9 in. (2,360 mm)
G Transport Overhang	50.4 in. (1,280 mm)
H Bucket Rotation	180°
I Stabilizer Spread (Down Position)	68.7 in. (1,745 mm)
J Stabilizer Spread (Up Position)	46.4 in. (1,180 mm)
K Angle of Departure	21°
Shipping Weight (Without Bucket)	1,102 lbs. (500 kg)
Bucket Digging Force	3,748 lbs. (1,700 kg)
Dipperstick Digging Force	2,205 lbs. (1,000 kg)
Operating Pressure	2,466 psi (170 bar)

#### Cylinders

Cylinder	Bore DIA	Retracted Length	Stroke	Rod DIA
Boom	2.75	25.04	15.20	1.57
Bucket	2.36	24.8	15.55	1.38
Dipperstick	2.75	27.87	19.88	1.57
Swing	2.36	15.67	8.78	1.38
Stabilizer	2.36	17.55	10.31	1.38

#### Buckets

Bucket	Teeth Quantity	Struck Capacity	Heaped Capacity	Shipping Weight
12" Bucket	3	1.01 cu. ft.	1.24 cu. ft.	56 lbs.
18" Bucket	4	1.56 cu. ft.	2.02 cu. ft.	70 lbs.
24" Bucket	5	2.11 cu. ft.	2.82 cu. ft.	94 lbs.
36" Bucket	6	2.78 cu. ft.	4.00 cu. ft.	114 lbs.

\* Specifications and design are subject to change without notice.

\* Specifications and design are subject to change without notice.



ISO 9001  
NO.954596



ISO 14001  
NO.771475



OHSAS 18001  
NO.K033008

## SPECIFICATIONS

MODEL		DK4510	DK5010	DK5510
<b>ENGINE</b>				
Model		3HT-TM4B		
Type		3 Cyl., In-line Vertical, Water-cooled 4-cycle Turbo Diesel, CRDI		
Engine Gross	hp (kW)	44.9 (33.5)	50.3 (37.5)	55 (41)
PTO @ Rated PTO rpm	hp (kW)	41.6 (31)	45.6 (34)	49.6 (37)
Displacement	cu. in. (cc)	111.4 (1,826)		
Rated Revolution	rpm	2,600		
Fuel Tank Capacity	US gal. (ℓ)	11.9 (45)		
<b>DRIVE TRAIN</b>				
Clutch		Dry Type Single Stage		
Transmission		Synchro Shuttle/H-Shuttle		
Speeds		8×8		
Differential Lock		Rear Standard		
Brake		Wet Multi Disc		
PTO Type		Independent		
Rear PTO (Standard)	rpm	540		
4WD Type		Mechanical		
<b>HYDRAULIC SYSTEM</b>				
Pump		Gear		
Pump Capacity (Max. Flow Rate)	gpm (L/min)	14.5 (55.1)		
3-Point Hitch		Category I	Category II	
Maximum Lifting Capacity (24" aft. of hitch)	lb. (kg)	2,716 (1,232)		
Hydraulic Lift Control System		Position		
Number of Remote Valves		(2 Optional)		
Steering		Hydrostatic Power Steering		
<b>TIRE SIZE</b>				
Front AG. (Turf, Industrial)		8-16 (29-12.5-15, 10-16.5)		
Rear AG. (Turf, Industrial)		13.6-24 (21.5L-16.1, 14.9-24)		
<b>TRAVELING SPEEDS</b>				
Forward	mph (km/h)	2.08 ~ 26.90 (3.35 ~ 43.3)		
Reverse	mph (km/h)	2.03 ~ 26.20 (3.26 ~ 42.20)		
<b>DIMENSIONS</b>				
Overall Length (Includes 3-pt Hitch)	in. (mm)	124.3 (3,157)	124.8 (3,170)	
Overall Width (Minimum Tread)	in. (mm)	62.8 (1,596)		
Overall Height (From Top of ROPS)	in. (mm)	92 (2,338)		
Wheelbase	in. (mm)	71.3 (1,810)		
Min. Ground Clearance	in. (mm)	14.5 (368)		
Tread	Front (AG.)	in. (mm)	49.2 (1,252)	
	Rear (AG.)	in. (mm)	49.2 (1,251)	
Min. Turning Radius (With Brake)	ft. (m)	8.6 (2.6)		
Weight with AG. Tires	lb. (kg)	3,373 (1,530)		

\* NOTE : Specifications and design are subject to change without notice.

## STANDARD EQUIPMENT

- Parking Brake
- Illuminated Dashboard
- Horn
- Head Lamp
- Signal Lamp
- PTO Cover
- Cup Holder
- Tilt Steering Wheel
- Rear 3-Point Control Handle

## OPTIONAL EQUIPMENT

- Single / Second Remote Hydraulic Valve
- Single / Second Remote Hydraulic Valve (Detent)
- Front / Rear Working Light
- Power Socket
- 3 Pin Socket
- 7 Pin Socket
- Locking Fuel Tank Cap
- Fuel Heater
- Front Weight
- Side View Mirror
- Sun Canopy
- Category I Link Kit (55hp)
- 3rd Function Kit
- Lower Link Quick Connect
- Clevis Type Drawbar
- Deck Mat
- Field Option Cab
- Mid Rops

## ATTACHMENTS

- Front End Loader
- Backhoe
- Contact your local KIOTI dealer for available implements and attachments.



**KIOTI Tractor Division**  
DAEDONG - USA, INC.  
6300 KIOTI Drive, Wendell, NC 27591 USA  
Toll free 877-GO-KIOTI • Fax 919-374-5001  
Web [www.KIOTI.com](http://www.KIOTI.com)

