



# **RX** Series

**66 - 73 HP**





# **RX** SERIES

**RULE YOUR LAND.**

With deluxe climate-controlled cab models and the heaviest lift-capacity in its class, the KIOTI® RX Series, ranging from 66 HP to 73 HP, is all the power, comfort and dependability a landowner could want.

**Cab & ROPS Models**

**Power Shuttle or Synchro Shuttle**

**Premium Features**

**Daedong® Turbo Engine**

**Maximum Comfort**

**Heavy Duty Lift Capacity**









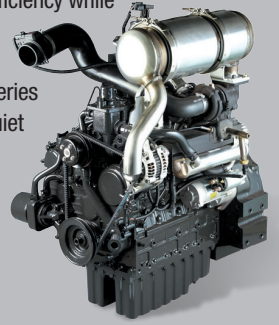


### Traveling Speed

Increased traveling speeds of up to 24 mph (38 km/h) allow your work to be done quicker.

### Eco-Friendly Diesel Engine

The Common Rail Diesel Engine (CRDI) improves fuel efficiency while reducing noise levels. With this eco-friendly Tier 4 engine, the RX Series offers the operator a quiet work environment with powerful performance.



### Deluxe Suspension Seat (Cab)

An ergonomically designed, fully adjustable suspension seat in cab models allows the operator to ride in comfort no matter what the task may be. A pocket on the back of the seat allows easy access to the operator's manual.

### Creeper Gear (RX7320 PCC)

The Creeper Gear model offers more speed versatility for applications requiring high PTO horsepower at low ground speeds.

### Transmission Options

The RX Series provides a wide variety of transmission options making it a great choice for any job. Choose from the 12×12 synchronized shuttle, 12×12 power shuttle or 24×24 power shuttle with creeper.





# EXPERIENCE THE POWERFUL KIOTI RX SERIES



## Power Shuttle Lever (Power Shuttle Models)

The Power Shuttle Lever provides easy forward and reverse operation without stepping on a clutch pedal.

## Torque Compensation

This enables the engine to maintain a consistent and stable torque level under all conditions.

## Rugged Design

The hood design provides the operator with excellent visibility and enables quick and convenient access for daily maintenance.



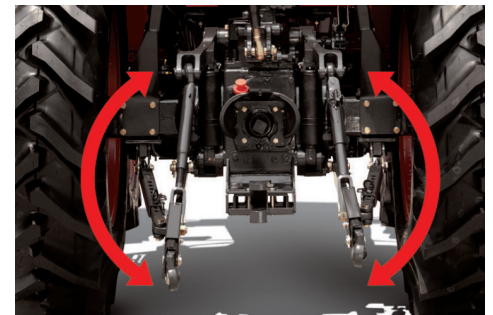
## Remote Hydraulic Valves and Joystick

Standard single lever joystick is valuable for loader operation or front implements. A standard single remote valve (additional valves optional) accommodate a wide variety of attachments and implements.



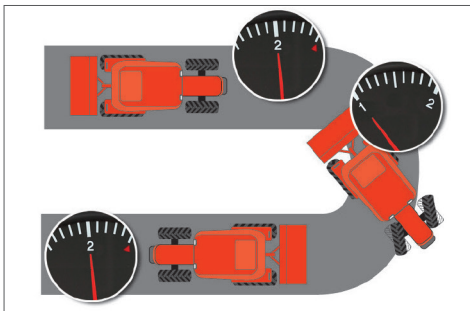
## Projection Head and Working Lamp

With the LED projection head and working lamp, the operator will experience safer and easier operation after the sun goes down due to the improved field of vision.



## External Hydraulic Lift Cylinder

The RX Series tractors have two external hydraulic lift cylinders which make maintenance easier and increase lift capacity up to 3,594 lbs. (66 hp) or 3,898 lbs. (73 hp).



## Turn Assist Control

The optional Turn Assist Control kit will drop the engine rpm by 10% automatically when turning sharply. This feature reduces work for the operator when turning, while allowing for more precise work and reducing fuel consumption.



## PTO Cruise Control

With one touch, engine speed may be set to maintain steady rpm to maximize working efficiency. When engaged, the operator may change the engine rpm by simply pressing a switch to increase or decrease the rpm.



## Fuel Tank

The 22 (ROPS models) to 25 (Cab models) gallon fuel tank allows productive working hours without the need for frequent re-fueling. An additional warning feature includes a fuel indicator lamp in the instrument panel and a buzzer to help prevent accidentally running out of fuel.





### Window Wiper (Cab)

The standard window wiper (rear optional) improves window visibility and keeps the window free from rain and dust. The improved wiper position maintains a clear view for the operator.

### Power Steering

The standard power steering minimizes the effort required to make tight, repetitive turns. The steering wheel tilts with the simple push of lever, allowing easy adjustment to fit the operator's needs.



### Air Conditioning System

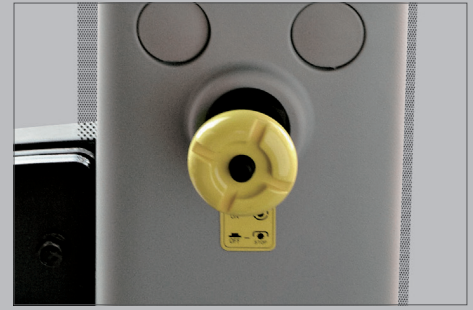
The Cooling and Heating system will ensure comfortable working conditions for the operator year round.

### Deluxe Cab

The RX Series offers improved visibility and comfort with ergonomically placed controls and colored control levers to help minimize operator fatigue.

### Push Button 4WD

The 4WD is engaged with the simple push of a button.



### Hydraulic Independent PTO

The standard rear PTO is easily engaged by the simple push of a button. A safety interlock prevents the engine from starting when the PTO switch is left on. All models come standard with a selectable manual or automatic PTO option. When the Auto PTO is engaged, the PTO will automatically shut off when the 3-point control is raised, eliminating exposure to the running implements.

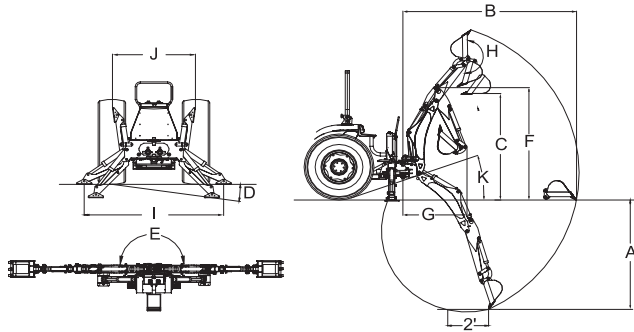






## Backhoe (RX6620 Only)

The KIOTI KB2485 Series backhoe lets you trench up to 94.4" deep with a bucket dig force up to 3,748 pounds. The KB2485 backhoe features subframe mounting, responsive two-lever controls with exceptional feathering, hydraulic stabilizers, transport lock and a variety of standard and heavy-duty buckets.



### Backhoe Specifications

MODEL	KB2485
A Digging Depth (Two Foot Flat Bottom)	94.4 in. (2,400 mm)
B Reach from Center Line of Swing Pivot	136.1 in. (3,460 mm)
C Loading Height (Bucket at 60°)	80.3 in. (2,040 mm)
D Maximum Leveling Angle	10°
E Swing Arc	180°
F Transport Height (Maximum)	92.9 in. (2,360 mm)
G Transport Overhang	50.4 in. (1,280 mm)
H Bucket Rotation	180°
I Stabilizer Spread (Down Position)	68.7 in. (1,745 mm)
J Stabilizer Spread (Up Position)	46.4 in. (1,180 mm)
K Angle of Departure	21°
Shipping Weight (Without Bucket)	1,102 lbs. (500 kg)
Bucket Digging Force	3,748 lbs. (1,700 kg)
Dipperstick Digging Force	2,205 lbs. (1,000 kg)
Operating Pressure	2,466 psi (170 bar)

#### Cylinders

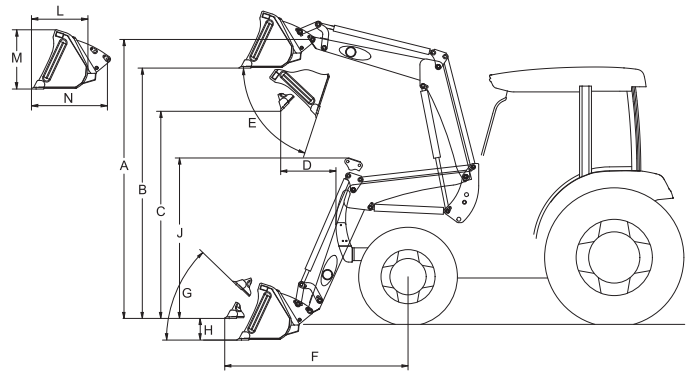
Cylinder	Bore DIA	Retracted Length	Stroke	Rod DIA
Boom	2.75	25.04	15.20	1.57
Bucket	2.36	24.8	15.55	1.38
Dipperstick	2.75	27.87	19.88	1.57
Swing	2.36	15.67	8.78	1.38
Stabilizer	2.36	17.55	10.31	1.38

#### Buckets

Bucket	Teeth Quantity	Struck Capacity	Heaped Capacity	Shipping Weight
12" Bucket	3	1.01 cu. ft.	1.24 cu. ft.	56 lbs.
18" Bucket	4	1.56 cu. ft.	2.02 cu. ft.	70 lbs.
24" Bucket	5	2.11 cu. ft.	2.82 cu. ft.	94 lbs.
36" Bucket	6	2.78 cu. ft.	4.00 cu. ft.	114 lbs.

## Front End Loader

The KIOTI KL7320 front end loader is specifically designed for the RX Series tractors, providing efficient performance with single lever joystick control. The KIOTI loader, with a built-in parking stand, is designed to be quickly and easily attached and detached. KL Series loaders utilize the tractor's hydraulic system, feature single-lever control with float and come with a bucket level indicator.



### Loader Specifications

MODEL	KL7320	
A Maximum Lift Height to Pivot Pin	133.9 in. (3,401 mm)	
B Clearance w/ Bucket Level	123 in. (3,124 mm)	
C Clearance w/ Bucket Dumped	102.3 in. (2,598 mm)	
D Reach at Maximum Height	20.4 in. (518 mm)	
E Maximum Dump Angle	47°	
F Reach w/ Bucket on Ground	80.4 in. (2,042 mm)	
G Maximum Rollback Angle	54°	
H Digging Depth Below Grade	6.5 in. (165 mm)	
J Overall Height in Carry Position	69.3 in. (1,760 mm)	
L Bucket Depth (Inner Shell)	23.3 in. (592 mm)	
M Bucket Height	22.9 in. (582 mm)	
N Bucket Length (Pivot Pin)	33 in. (838 mm)	
Lift Capacity to Full Height at Pivot Pins	3,384 lbs. (1,535 kg)	
Breakout Force at Pivot Pins	5,359 lbs. (2,431 kg)	
Bucket Rollback Force at Ground Line	5,029 lbs. (2,281 kg)	
Relief Valve Setting (Loader Control Valve)	66 hp: 2,631 psi (185 kg/cm²) / 73 hp: 2,774 psi (195 kg/cm²)	
Rated Flow (Tractor System)	10.57 gpm (40 L/min)	
Bucket Size Available (QA)	82 in.	
Bucket Capacity (Heaped)	21.2 cu. ft.	
Approximate Weight (With Bucket)	1,896 lbs (860 kg)	
Cycle Times		2,300 rpm
Raise Boom		6.3 sec
Lower Boom		4.2 sec
Dump Bucket		4.7 sec
Rollback Bucket		3.5 sec

\* Specifications and design are subject to change without notice.

\* Specifications and design are subject to change without notice.



# SPECIFICATIONS



MODEL	RX6620	RX6620C	RX6620P	RX6620PC	RX7320	RX7320C	RX7320P	RX7320PC	RX7320PCC	
<b>ENGINE</b>										
Model	4F243T									
Type	4Cyl., In-line Vertical, Water-cooled 4-cycle Turbo Diesel, CRDI									
Engine Gross	hp (kW)	66 (49.2)			73 (54.4)					
PTO	hp (kW)	57.6 (43)			63 (47)					
Displacement	cu. in. (cc)	148.6 (2,435)								
Rated Revolution	rpm	2,600								
Fuel Tank Capacity	US gal. (ℓ)	22.5 (85)	25 (95)	22.5 (85)	25 (95)	22.5 (85)	25 (95)	22.5 (85)	25 (95)	
<b>DRIVE TRAIN</b>										
Clutch	Dry Single Plate			Wet Disc		Dry Single Plate		Wet Disc		
Transmission	Synchro Shuttle			Power Shuttle		Synchro Shuttle		Power Shuttle		
Speeds	12F×12R									
Differential Lock	Rear Standard									
Brakes	Wet Multi Disc									
PTO	Independent									
Rear PTO (Standard)	rpm	540 / 540E								
4WD Type	Electric / Hydraulic									
<b>HYDRAULIC SYSTEM</b>										
Pump	Gear									
Pump Capacity (Max. Flow Rate)	gpm (L/min)	17.9 (67.6)			19.2 (72.8)					
3-Point Hitch	Category II									
Maximum Lifting Capacity (24" aft. of Hitch)	lb. (kg)	3,594 (1,630)			3,898 (1,768)					
Hydraulic Lift Control System	Position, Draft, Mixed Control									
Number of Standard Remote Valves (Optional)	1st (2nd, 3rd-Cab only)									
Steering	Hydrostatic Power Steering									
<b>TIRE SIZE</b>										
Front AG. (Turf, Industrial)	9.5-20 (31X13.5X15/8, 12.5/80-18)				11.2-24 (N/A, 12.5/80-18)					
Rear AG. (Turf, Industrial)	14.9-28 (44X18X20/4, 18.4-24/8)				16.9-30 (N/A, 18.4-24/8)					
<b>TRAVELING SPEEDS</b>										
Forward	mph (km/h)	0.94~21.79 (1.51~35.07)			1.01~23.53 (1.63~37.86)			0.11~23.53 (0.17~37.86)		
Reverse	mph (km/h)	0.93~21.42 (1.49~34.48)			1.00~23.13 (1.61~37.23)			0.11~23.13 (0.17~37.23)		
<b>DIMENSIONS</b>										
Overall Length (Includes 3-pt Hitch)	in. (mm)	145 (3,685)			146.3 (3,715)					
Overall Width (Minimum Tread)	in. (mm)	70.9 (1,800)			77.2 (1,960)					
Overall Height (From Top of Cab)	in. (mm)	105.5 (2,680)	103.6 (2,630)	105.5 (2,680)	103.6 (2,630)	107.5 (2,730)	104.5 (2,655)	104.5 (2,655)		
Wheelbase	in. (mm)	82.7 (2,100)			83.9 (2,130)					
Min. Ground Clearance	in. (mm)	16.5 (420)			17.3 (440)					
Tread	Front (AG.)	in. (mm)	57.7 (1,465)			58.1 (1,475)				
	Rear (AG.)	in. (mm)	55.7 (1,415)			59.6 (1,515)				
Min. Turning Radius (With Brake)	ft. (m)	10.2 (3.1)			11.2 (3.4)					
Weight with AG. Tires	lb. (kg)	5,202 (2,360)	5,798 (2,630)	5,148 (2,335)	5,732 (2,600)	5,589 (2,535)	6,162 (2,795)	5,600 (2,540)	6,162 (2,795)	

\* NOTE : Specifications and design are subject to change without notice.

## STANDARD EQUIPMENT

- Hydrostatic Power Steering
- Rear Differential Lock
- Rear PTO
- Wet Multi Disc Brakes
- Single Remote Hydraulic Valve
- Joystick Valve
- Adjustable Drawbar
- Adjustable Seat
- Headlights
- Safety Lights
- Front Wiper
- Cup Holder
- Sun Visor (Cab Models)
- Side View Mirror (Cab Models)
- 7 pin Socket (Cab Models)
- SMV Sign
- Parking Brake
- PTO Shield
- Work Light (Cab Models)
- 4WD
- Rear Defrost (Cab Models)
- Hand Clutch (Power Shuttle Models)

## OPTIONAL EQUIPMENT

- Second Remote Hydraulic Valve
- Third Remote Hydraulic Valve (Cab Models)
- Rear View Mirror (Cab Models)
- Front Suit Case Weight
- CD Player (Cab Models)
- Rear Wiper (Cab Models)
- 3 pin / 7 pin Socket (ROPS Models)
- Locking Fuel Cap
- Sun Canopy (ROPS models)
- Rear Weight (Ag Tires, Ind Tires only on RX6630)
- Turn Assist
- 12V Power Outlet (Cab Models)



**KIOTI Tractor Division**  
 DAEDONG - USA, INC.  
 6300 KIOTI Drive, Wendell, NC 27591 USA  
 Toll free 877-GO-KIOTI • Fax 919-374-5001  
 Web www.KIOTI.com

