



CK2510

KIOTI TRACTOR



FEATURING

ECO TECHNOLOGY

FROM **daedong**



KIOTI



New Compact Design

The new streamlined hood design improves visibility and serviceability for the operator. A vertical opening hood allows for easy access to the air filter, fluid service, fuse box, and electrical components.

Hi/Low Speed Ranges

The HST model features a Hi/Low range transmission to maximize performance and efficiency.

Foldable ROPS

The standard fold-down roll bar makes it quick and easy to maneuver in low clearance areas.

Eco-Friendly Diesel Engine

The new eco-friendly diesel engine provides powerful performance and improves fuel efficiency while reducing noise levels. With this eco-friendly Tier 4 engine, the 24.5 HP engine offers the operator a quiet work environment with powerful performance.

Increased Hydraulic Pump Capacity

The 11.3 gallon minimum hydraulic pump capacity allows for faster implement work and better overall work efficiency.

Power Steering

Hydrostatic power steering minimizes the effort required to make tight, repetitive turns.

Cruise Control

The convenient and easy to use cruise control enables the operator to match speed to field conditions and reduce fatigue. Available on HST model only.

Illuminated Dashboard

The dashboard illuminates when the engine is started. The instrument cluster includes tachometer, fuel and temperature gauges along with low fuel and high temperature warning lamp.

Hydrostatic Transmission (HST)

The HST model utilizes a performance proven, heavy-duty HST that delivers power smoothly and efficiently. A single directional pedal allows speed and direction changes without clutching or shifting. With the KIOTI HST drive your hands remain free for steering and implement control.

Comfortable Seat with Suspension

With a high quality adjustable suspension seat the user enjoys a comfortable and smooth ride. The retractable seat belt is included for safety.

Single Lever Joystick

The operation of the front loader is made easier by the use of a single lever joystick. The joystick allows you to perform all loader functions conveniently. The lever automatically returns to neutral and the loader stops in place when the joystick is released. A float position allows the bucket free floatation over the ground surface.

Rear PTO

Rear PTO is standard on both Manual and HST models. You can select the rear PTO or the optional mid PTO separately or simultaneously.

3 Point Hitch

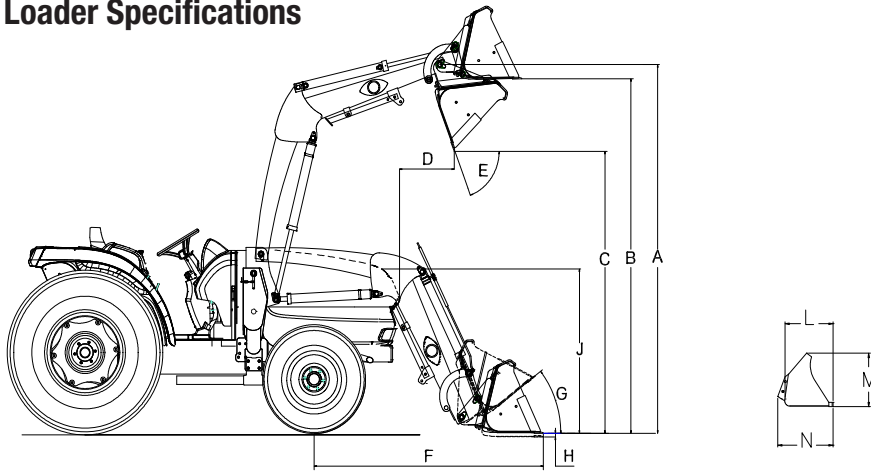
With an adjustable right side lift rod and top link, you can easily attach implements.



Front End Loader

The KIOTI KL2510 front end loader is specially designed for the CK2510 tractor, providing efficient performance with single joystick control. The KIOTI loader is designed for quick and easy attachment and detachment.

Loader Specifications



Loader Model : **KL2510** Tractor Model : **CK2510**

Cycle time (sec)	1,500 rpm	2,000 rpm	2,600 rpm (Full)
Raise Boom frame	4.3	3.2	2.5
Lower Boom frame	2.3	1.7	1.5
Dump bucket	5.5	4.4	3.5
Rollback bucket	3.4	2.5	1.5

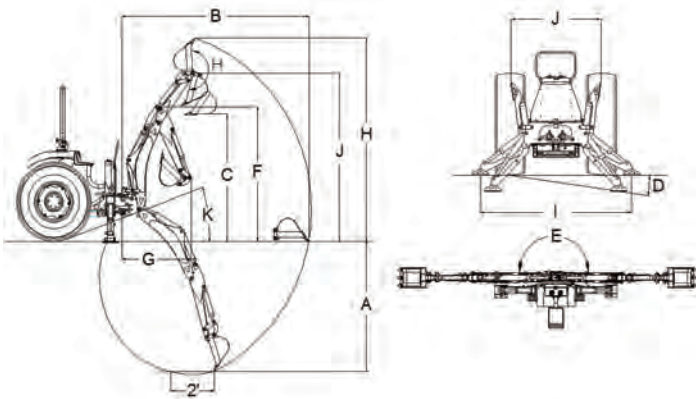
Model	KL2510
A Maximum Lift Height to pivot pin	87.8 in (2,230 mm)
B Maximum Lift Height under level bucket	84.3 in (2,141 mm)
C Clearance w/ Bucket Dumped	67.2 in (1,706 mm)
D Reach at Maximum Height	31.5 in (800 mm)
E Maximum Dump Angle	53 °
F Reach Bucket on Ground	59.0 in (1,498 mm)
G Maximum Rollback Angle	33 °
H Digging Depth	3.9 in (99 mm)
J Overall Height in Carry Position	40 in (1,016 mm)
L Bucket Depth (inner shell)	19.6 in (498 mm)
M Bucket Height	18.2 in (411 mm)
N Bucket Depth (pivot pin)	24.9 in (632 mm)
Lift Capacity to Full Height at Pivot Pins	1,092 lbs. (495 kg)
Breakout Force at Pivot Pin	1,843 lbs. (836 kg)
Relief Valve Setting (Loader control valve)	2,275 psi
Rated Flow (Tractor system)	7.66 gpm (29 lpm)
Bucket size	50 in (1,270 mm)
Weight (with Bucket)	605 lbs. (274 kg)
Lift Cylinder	1.D045mm × Rod 030mm
Bucket Cylinder	1.D045mm × Rod 030mm
Bucket Capacity	7.8 ft ³

*Specifications and design are subject to change without notice.

Backhoe

The subframe mounted KB2465 backhoe can be easily attached and detached using locking pins and quick-connect hydraulics. The backhoe's offset subframe design provides a large approach angle for the easiest trailer loading in its class.

Backhoe Specifications



Backhoe Model : **KB2465** Tractor Model : **CK2510**

Model	KB2465
A. Digging Depth (two foot flat bottom)	76.3 (1,940) in.(mm)
B. Reach from center line of Swing Pivot	113.1 (2,875) in.(mm)
C. Loading Height (bucket at 60°)	63.6 (1,615) in.(mm)
D. Maximum Leveling Angle	10°
E. Swing Arc	180°
F. Transport Height (maximum)	73.1 (1,856) in.(mm)
G. Transport Overhang	43.5 (1,105) in.(mm)
H. Bucket Rotation	180°
I. Stabilizer Spread (down position)	68.7 (1,745) in.(mm)
J. Stabilizer Spread (up position)	46.4 (1,180) in.(mm)
K. Angle of Departure	21°
Shipping Weight - Backhoe	1,012 (459) lbs.(kg)
Bucket Digging Force	2,817.5 (1,278) lbs.(kg)
Dipperstick Digging Force	1,748 (793) lbs.(kg)
Operating Pressure	2,466 (170) psi (bar)

Cylinders

Cylinder	Bore DIA	RetractedLength	Stroke	Rod DIA
Boom	2.75"	23"	15.1"	1.57"
Bucket	2.36"	21"	11.7"	1.38"
Dipperstick	2.36"	20.6"	11.9"	1.38"
Swing	2.36"	15.67"	8.78"	1.38"
Stabilizer	2.36"	17.5"	10.31"	1.38"

Buckets

Bucket	Teeth Qty	Struck Capacity	Heaped Capacity	Shipping Weight
9" Bucket	3	0.73 cu. ft.	0.87 cu. ft.	46 lbs.
12" Bucket	3	1.01 cu. ft.	1.24 cu. ft.	56 lbs.
16" Bucket	3	1.38 cu. ft.	1.76 cu. ft.	64 lbs.
18" Bucket	4	1.56 cu. ft.	2.02 cu. ft.	70 lbs.
24" Bucket	5	2.11 cu. ft.	2.82 cu. ft.	94 lbs.
36" Muck Bucket	6	2.78 cu. ft.	4.00 cu. ft.	114 lbs.

*Specifications and design are subject to change without notice.

Specifications



ISO 9001
NO:954596



ISO 14001
NO:771475



OHSAS 18001
NO:K033008

MODEL	CK2510		CK2510H
ENGINE			
Model	3A139LFB		
Type	3Cyl., In-line Vertical, Water-cooled 4-cycle diesel engine		
Engine Gross	HP(KW)	24.5 (18.2)	
PTO	HP(KW)	20.0(14.9)	19.8(14.8)
Displacement	cu.in.(cc)	85 (1393)	
Rated Revolution	rpm	2600	
Fuel Tank Capacity	u.s.gal(ℓ)	6.6 (25)	
DRIVE TRAIN			
Clutch	Dry single		
Transmission	Manual	Hydrostatic	
Speeds	6F2R	INF. 2	
Differential Lock (Rear)	Standard		
Brake	Wet disc type		
PTO	Transmission	Live	
Rear PTO (Standard)	rpm	540	
Mid PTO (Optional)	rpm	(2000)	
4WD	Standard		
HYDRAULIC SYSTEM			
Pump	Gear		
Pump Capacity (Max. flow rate)	gpm(lpm)	11.3 (42.9)	
3-Point Hitch	Category I		
Maximum lifting capacity (24" aft. of hitch)	lbs.(kg)	1203 (546)	
Hydraulic Lift Control System	Position		
No. of standard remote valves (Optional)	(1)		
Steering	Power Steering		
TIRE SIZE			
Front AG.(TURF, INDUSTRIAL)	7.0-12 (23x8.5-12, 23x8.5-12)		
Rear AG.(TURF, INDUSTRIAL)	11.2-16 (33x12.5-16.5, 12-16.5)		
TRAVELING SPEEDS			
Forward	mph(kph)	0.75-10.8 (1.20-17.34)	0-10.7 (0-17.15)
Reverse	mph(kph)	0.92-4.2 (1.48-6.73)	0-7.46 (0-12.01)
DIMENSIONS			
Overall Length (includes 3-pt hitch)	in.(mm)	109.08 (2771)	
Overall Width (Minimum tread)	in.(mm)	49.2 (1250)	
Overall Height (from top of ROPS)	in.(mm)	82.8 (2103)	
Wheelbase	in.(mm)	59.8 (1519)	
Min. Ground Clearance	in.(mm)	13.4 (340)	
Tread	Front (Ag)	in.(mm)	37.8 (960)
	Rear (Ag)	in.(mm)	37.4 (950)
Min. Turning Radius (with brake)	feet(m)	8.3 (2.53)	
Weight with AG. Tires	lbs.(kg)	2260 (1025)	

*NOTE: Specifications and design are subject to change without notice.

Standard Equipment

- Hydrostatic Power Steering
- Cup Holder
- Adjustable Seat
- Rear PTO
- Electric Panel
- Parking Brake
- Headlights
- Wet Multi Disc Brakes
- Safety Lights
- Joystick Valve

Optional Equipment

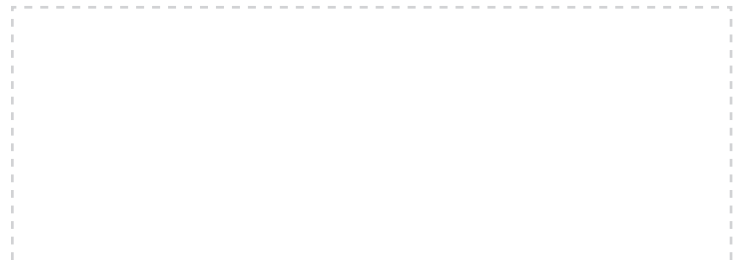
- Single Remote Hydraulic V/V
- Rear Working Light
- Front Weight
- 7 pin Socket
- Mid PTO
- Sun Canopy
- Clevis Type Drawbar
- CK Field Cab

Available KIOTI Attachments

- Front End Loader
- Mower
- Backhoe
- Contact your local KIOTI dealer for available implements



KIOTI Tractor Division
DAEDONG - USA, INC.
6300 KIOTI Drive, Wendell, NC 27591
toll free 877-GO-KIOTI • fax 919-374-5001
web www.KIOTI.com



Part Number LIT-CK2510