



KIOTI TRACTOR

RX

SERIES



FEATURING

ECO TECHNOLOGY

FROM **deedong**



KIOTI



Clean and Powerful Tier-4 Engine

Eco-Friendly Diesel Engine

The new Common Rail Diesel Engine (CRDI) improves fuel efficiency while reducing noise levels. With this eco-friendly Tier 4 engine, the RX series offers the operator a quiet work environment with powerful performance.





Traveling Speed

The new, more efficient transmission system offers maximum traveling speeds of up to 24 MPH (38kph).



Power Shuttle Lever (Power Shuttle Models)

The Power Shuttle Lever provides easy forward and reverse operation without stepping on a clutch pedal.

Creep Gear (RX7320 PCCR)

The Creep Gear model offers more speed versatility for applications requiring high PTO horsepower at low ground speeds.

Deluxe Suspension Seat

Ergonomically designed, fully adjustable suspension seat allows the operator to ride in comfort no matter what the task may be. A pocket on the back of the seat allows easy access for the operator's manual.



Transmission Options

The RX series provides a wide variety of transmission options making it a great choice for any job. Choose from the 12x12 synchronized transmission, 12x12 power shuttle or 24x24 power shuttle with creep.

Torque Compensation

This feature enables the engine to maintain a consistent and stable torque level under all conditions.

Modern and Elegant Design

The modern and elegant hood design provides the operator with excellent visibility and enables quick and convenient access for daily maintenance.



Turn Assist Control

The optional Turn Assist Control kit will drop the engine rpm by 10% automatically when turning sharply. This feature allows for more precise work and reduces fuel consumption during sharp turns.



Projection Head and Working Lamp

With the new projection head and working lamp, the operator will experience safer and easier operation after the sun goes down.



PTO Cruise Control

With one touch, engine speed may be set to maintain steady PTO rpm to maximize working efficiency. When engaged, the operator may change the engine rpm by simply pressing a switch to increase or decrease the rpm.

Experience the new and Powerful RX Series



Remote Hydraulic Valves and Joystick

Standard single lever joystick is valuable for loader operation or front implements. A standard single remote valve (2nd and 3rd optional) accommodate a wide variety of attachments and implements.



Fuel Tank

The 22 to 25 gallon fuel tank allows productive working hours without the need for frequent re-fueling. The warning feature includes fuel warning indicator lamp in the instrument panel and a buzzer to help prevent accidentally running out of fuel.

External Hydraulic Lift Cylinder

The RX series tractor has two external hydraulic lift cylinders which makes maintenance easier and increases lift capacity up to 3,594 lbs. (66 hp) or 3,898 lbs. (73 hp).



Window Wiper

The standard window wiper(rear optional) improves window visibility and keeps the window free from rain and dust. The improved wiper position maintains a clear view for the operator.

Power Steering

The standard power steering minimizes the effort required to make tight, repetitive turns. The steering wheel tilts with the simple push of lever, allowing easy adjustment to fit the operator needs.



Advanced Air Conditioning System

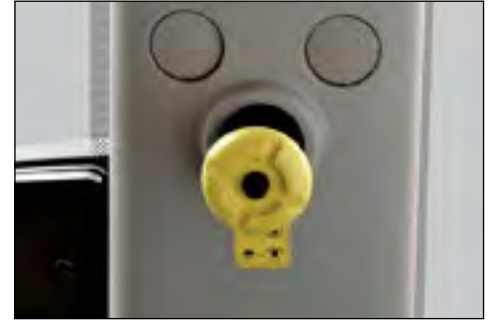
The improved Cooling and Heating system will ensure comfortable working conditions for the operator year round.

Deluxe Cab

The RX series offers improved visibility and comfort with ergonomically placed controls and colored control levers to help minimize operator fatigue.

Push Button 4WD

The 4WD is engaged with the simple push of a button.



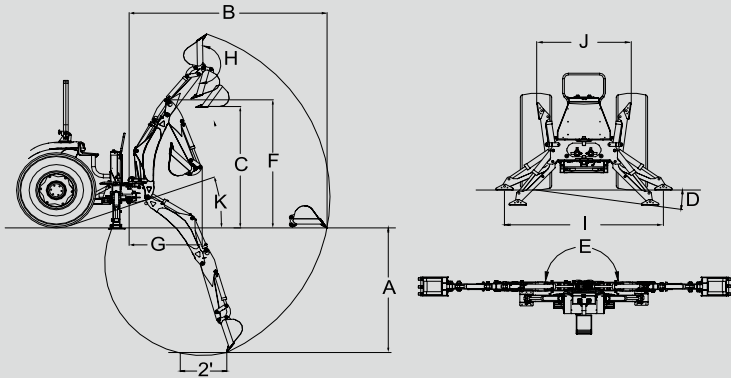
Hydraulic Independent PTO

The standard rear PTO is easily engaged by the simple push of a button. A safety interlock prevents the engine from starting when the PTO switch is left on. All models come standard with a selectable manual or automatic PTO option. When the Auto PTO is engaged, the PTO will automatically shut off when the 3-point control is raised, eliminating exposure to the running implements.



Backhoe (RX6620 only)

The KIOTI KB2485 Series backhoe lets you trench up to 94.4" deep with a bucket dig force up to 3,748 pounds. The KB2485 Backhoe feature subframe mounting, responsive two-lever controls with exceptional feathering, hydraulic stabilizers, transport lock and a variety of standard and heavy-duty buckets.



Cylinders

Cylinder	Bore DIA	Retracted Length	Stroke	Rod DIA
Boom	2.75	25.04	15.20	1.57
Bucket	2.36	24.8	15.55	1.38
Dipperstick	2.75	27.87	19.88	1.57
Swing	2.36	15.67	8.78	1.38
Stabilizer	2.36	17.55	10.31	1.38

Buckets

Bucket	Teeth Q'TY	Struck Capacity	Heaped Capacity	Shipping Weight
9" Bucket	3	0.73 cu. ft.	0.87 cu. ft.	46 lbs.
12" Bucket	3	1.01 cu. ft.	1.24 cu. ft.	56 lbs.
16" Bucket	3	1.38 cu. ft.	1.76 cu. ft.	64 lbs.
18" Bucket	4	1.56 cu. ft.	2.02 cu. ft.	70 lbs.
24" Bucket	5	2.11 cu. ft.	2.82 cu. ft.	94 lbs.
36" Bucket	6	2.78 cu. ft.	4.00 cu. ft.	114 lbs.

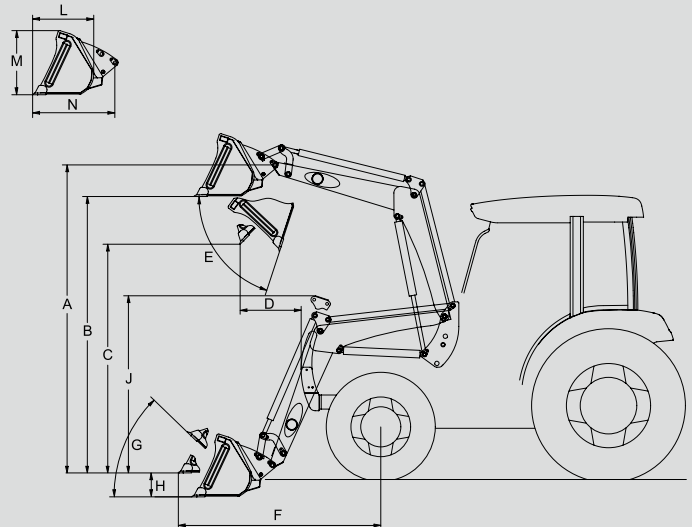
Backhoe Specifications

Model	KB2485
A. Digging Depth (two foot flat bottom)	94.4" (2,400mm)
B. Reach from Center Line of Swing Pivot	136.1" (3,460mm)
C. Loading Height (bucket at 60°)	80.3" (2,040mm)
D. Maximum Leveling Angle	10°
E. Swing Arc	180°
F. Transport Height (maximum)	92.9" (2,360mm)
G. Transport Overhang	50.4" (1,280mm)
H. Bucket Rotation	180°
I. Stabilizer Spread (down position)	68.7" (1,745mm)
J. Stabilizer Spread (up position)	46.4" (1,180mm)
K. Angle of Departure	21°
Shipping Weight - Backhoe (With bucket)	1,091 lbs. (500kg)
Bucket Digging Force	3,748 lbs. (1,700kg)
Dipperstick Digging Force	2,205 lbs. (1,000kg)
Operating Pressure	2,466 psi (170 bar)

*Specifications and design are subject to change without notification.

Front End Loader

The KIOTI KL7320 front end loader is specifically designed for the RX series tractors, providing efficient performance with single lever joystick control. The KIOTI loader, with a built in parking stand, is designed to be quickly and easily attached and detached. KL Series loaders utilize the tractor's hydraulic system, feature single-lever control with float and come with a bucket level indicator.



Cycle time (sec)	2,300 rpm
Raise Boom frame	6.3
Lower Boom frame	4.2
Dump bucket	4.7
Rollback bucket	3.5

Loader Specifications

Model	KL7320
A. Maximum Lift Height to Pivot Pin	133.9 in (3,401mm)
B. Clearance w/ Attachment Level	123.0 in (3,124mm)
C. Clearance w/ Attachment Dumped	102.3 in (2,598mm)
D. Reach at Maximum Height	20.4 in (518mm)
E. Maximum Dump Angle	47 °
F. Reach w/ Bucket on Ground	80.4 in (2,042mm)
G. Maximum Rollback Angle	54 °
H. Digging Depth Below Grade	6.5 in (165mm)
J. Overall Height in Carry Position	69.3 in (1,760mm)
L. Bucket Depth (inner shell)	23.3 in (592mm)
M. Bucket Height	22.9 in (582mm)
N. Bucket Length (pivot pin)	33.0 in (838mm)
Lift Capacity to Full Height at Pivot Pins	3,384 lbs. (1,535 kg)
Breakout Force at Pivot Pin	5,359 lbs. (2,431 kg)
Lift Cylinder	I.D ø70mm X ROD 40mm
Bucket Cylinder	I.D ø70mm X ROD 35mm
Bucket Size	82 in (2,083mm)
Bucket Weight	428 lbs.
Approx. Weight (without Bucket)	1,468 lbs.
Bucket Capacity (heaped)	21.2 cu. ft.
Rated Flow	41.6 l/min
Relief Valve Setting	185 kgf/cm ² (66HP) 195 kgf/cm ² (73HP)

*Specifications and design are subject to change without notification.

Specifications



MODEL	RX6620	RX6620C	RX6620P	RX6620PC	RX7320	RX7320C	RX7320P	RX7320PC	RX7320PCCR	
ENGINE										
Model	4F243T									
Type	4Cyl., In-line Vertical, Water-cooled 4-cycle Turbo Diesel, CRDI									
Engine Gross	HP(KW)	66 (49.2)				73 (54.4)				
PTO	HP(KW)	57.6 (43)				63 (47)				
Displacement	cu.in.(cc)	148.6 (2,435)								
Rated Revolution	rpm	2600								
Fuel Tank Capacity	u.s.gal(ℓ)	22.5 (85)	25.0 (95)	22.5 (85)	25.0 (95)	22.5 (85)	25.0 (95)	22.5 (85)	25.0 (95)	
DRIVE TRAIN										
Clutch	Dry Single Plate			Wet Disc		Dry Single Plate		Wet Disc		
Transmission	Synchro Shuttle			Power Shuttle		Synchro Shuttle		Power Shuttle		
Speeds	12F X 12R									
Differential Lock						Rear Standard				
Brake	Wet Multi Disc									
PTO	Independent									
Rear PTO (Standard)	rpm	540 / 540E								
Mid PTO (Optional)	rpm	N/A								
4WD type	Hydraulic									
HYDRAULIC SYSTEM										
Pump	Gear									
Pump Capacity (Max. flow rate)	gpm(lpm)	17.9 (67.6)				19.2 (72.8)				
3-Point Hitch	Category II									
Maximum Lifting Capacity (24" aft. of hitch)	lbs.(kg)	3594 (1630)				3898 (1768)				
Hydraulic Lift Control System	Position, Draft, Mixed Control									
No. of Standard Remote Valves	1st : Std. 2nd, 3rd : Opt.									
Steering	Hydrostatic Power Steering									
TIRE SIZE										
Front AG. (TURF, INDUSTRIAL)	9.5-20 (31X13.5X15/8, 12.5/80-18)					11.2-24 (N/A, 12.5/80-18)				
Rear AG. (TURF, INDUSTRIAL)	14.9-28 (44X18X20/4, 18.4-24/8)					16.9-30 (N/A, 18.4-24/8)				
TRAVELING SPEEDS										
Forward	mph(kph)	0.98-22.59 (1.57-36.36)				1.01-23.53 (1.63-37.86)				0.11-23.53 (0.17-37.86)
Reverse	mph(kph)	0.96-22.21 (1.54-35.75)				1.00-23.13 (1.61-37.23)				0.11-23.13 (0.17-37.23)
DIMENSIONS										
Overall Length (includes 3-pt hitch)	in.(mm)	145.0 (3685)				146.3 (3715)				
Overall Width (minimum tread)	in.(mm)	70.9 (1800)				77.2 (1960)				
Overall Height (from top of Cab)	in.(mm)	105.5 (2680)	103.6 (2630)	105.5 (2680)	103.6 (2630)	107.5 (2730)	104.5 (2655)	107.5 (2730)	104.5 (2655)	
Wheelbase	in.(mm)	82.7 (2100)				83.9 (2130)				
Min. Ground Clearance	in.(mm)	16.5 (420)				17.3 (440)				
Tread	Front (AG)	57.7 (1465)				58.1 (1475)				
	Rear (AG)	55.7 (1415)				59.6 (1515)				
Min. Turning Radius (with brake)	feet(m)	10.2 (3.1)				11.2 (3.4)				
Weight with AG Tires	lbs.(kg)	5202 (2360)	5798 (2630)	5148 (2335)	5732 (2600)	5589 (2535)	6162 (2795)	5600 (2540)	6162 (2795)	

*NOTE: Specifications and design are subject to change without notice.

Standard Equipment

- Hydrostatic Power Steering
- Front Wiper
- Rear Differential Lock
- Cup Holder
- Rear PTO
- Sun Visor (Cab models)
- Wet Multi Disc Brakes
- Side View Mirror (Cab models)
- Single Remote Hydraulic Valve
- Power Socket (Cab Models)
- Joystick Valve
- SMV Sign
- Adjustable Drawbar
- Parking Brake
- Adjustable Seat
- PTO Cover
- Headlights
- Work Light (Cab models)
- Safety Lights
- Auto 4WD

Optional Equipment

- Second Remote Hydraulic V/V
- Turn Assist
- Third Remote Hydraulic V/V (Cab models)
- 12V Power Outlet (Cab models)
- Rear View Mirror (Cab models)
- Front Suit Case Weight
- CD Player (Cab models)
- Rear Wiper (Cab models)
- 3 pin / 7 pin Socket
- Locking Fuel Cap
- Sun Canopy (ROPS models)
- Rear Weight (Ag Tires only)

Attachments

- Front End Loader
- Backhoe
- Contact your local KIOTI dealer for available implements and attachments



KIOTI Tractor Division
 DAEDONG - USA, INC.
 6300 KIOTI Drive, Wendell, NC 27591
 toll free 877-GO-KIOTI • fax 919-374-5001
 web www.KIOTI.com



Part Number LIT-RX-ALL