

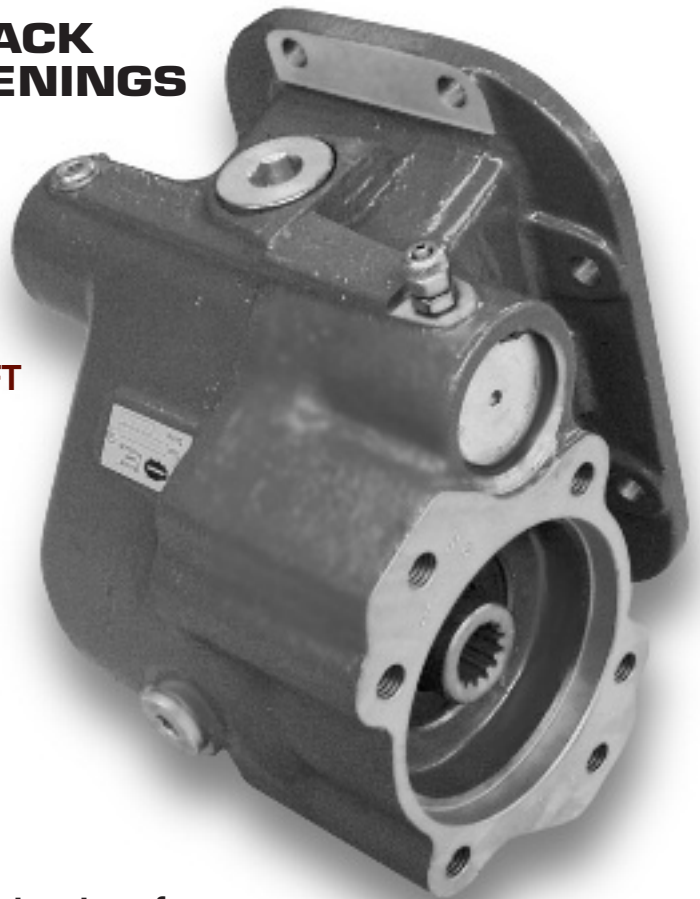


# 8405/6A SERIES POWER TAKE-OFF

**FOR EATON, MERITOR & MACK  
TRANSMISSION 8-BOLT OPENINGS**

## THE 8405/6A SERIES PROVIDES:

- INTEGRAL 8-BOLT MOUNTING PAD
- SAE "B" OR SAE "B-B", 2 OR 4-BOLT PUMP MOUNTING FLANGE AND SHAFT  
OPTIONAL 1-1/4" RD. SHAFT
- INTEGRAL AIR-SHIFT
- DRAIN PORT
- INSPECTION PORT FOR BACKLASH ADJUSTMENT
- 3 POPULAR SPEED RATIOS  
EQUIVALENT TO THE TG8S-U6807,  
08 & 09 PTOS
- INTERMITTENT TORQUE RATING  
225 LB.FT.



This robust design provides a rigid structure for high vibration level environments at an economical price.

## MODEL NUMBER CONSTRUCTION

8405A\* 07 - A 3 K X

### PTO Type

8405A (6P-20° PA Spur) U68  
8406A (6.48P-17.5° PA Spur) M65

### Speed Ratio

07  
08  
09

### Special Feature

X — None

### Output Type

K — SAE "B" Pump Mount  
P — SAE "B-B" Pump Mount  
B — 1 1/4" Rd. - 5/16" KW

### Assembly Arrangement

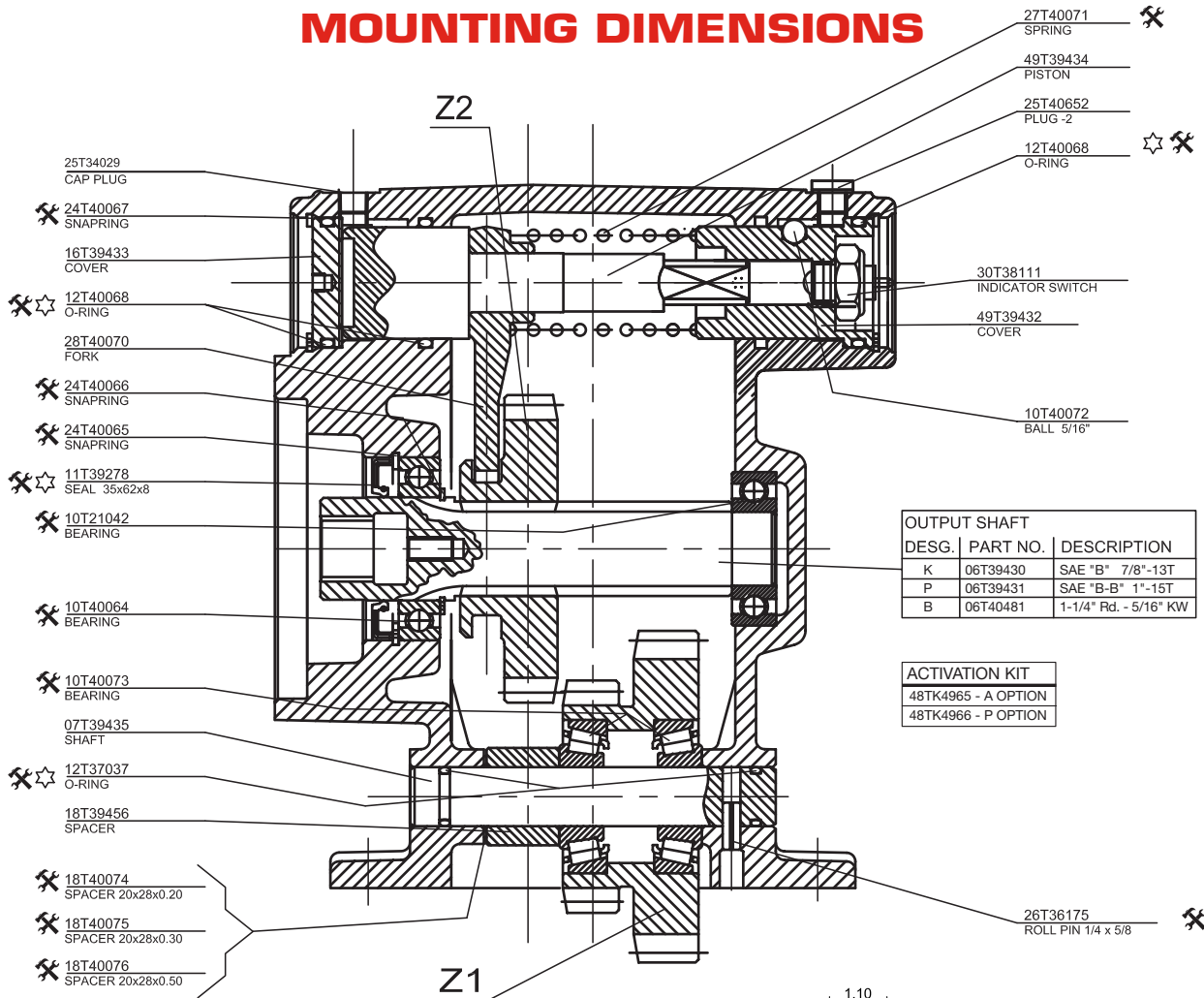
3 Only

### Shifter Type

A — Air Shift Only

\* 8405B includes metric stud kit

# MOUNTING DIMENSIONS

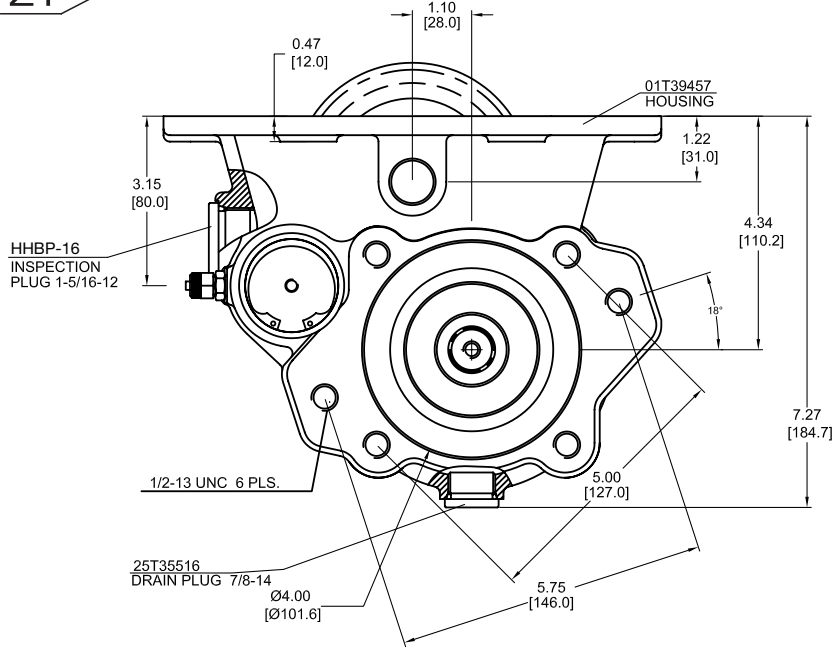


OUTPUT SHAFT		
DESIG.	PART NO.	DESCRIPTION
K	06T39430	SAE "B" 7/8"-13T
P	06T39431	SAE "B-B" 1"-15T
B	06T40481	1-1/4" Pd. - 5/16" KW

ACTIVATION KIT	
48TK4965	- A OPTION
48TK4966	- P OPTION

- ☆ GASKET AND SEAL KIT  
8405-GSK
- ✂ REBUILD KIT  
8405-RBK

PTO TYPE	GEAR	#T	P/N
8405A07-A3KX	Z1-U68	25/19	03T39436
	Z2	26	02T39442
8405A08-A3KX	Z1-U68	25/21	03T39439
	Z2	25	02T39441
8405A09-A3KX	Z1-U68	25/24	03T39437
	Z2	24	02T39440
8406A07-A3KX	Z1-M65	27/19	03T39438
	Z2	26	02T39442



**Muncie®  
Power  
Products**

MP01-10 (Rev. 4-08) Printed in the U.S.A.  
© Muncie Power Products, Inc. 2008

**Muncie Power Products, Inc.** Member of the Interpump Hydraulics Group  
General Offices and Distribution Center • P.O. Box 548 • Muncie, IN 47308-0548  
(765) 284-7721 • FAX (765) 284-6991 • E-mail info@munciepower.com  
Web site <http://www.munciepower.com>

Drive Products, Exclusive Agents for Canada, ISO Certified by an Accredited Registrar

