



T SERIES PISTON PUMPS

Ultimate Power and performance in a small package best describes the fixed displacement T Series Bent Axis Piston Pumps. Designed exclusively for those high pressure applications. Muncie's high efficiency and rugged design provide for high performance and extra long life.

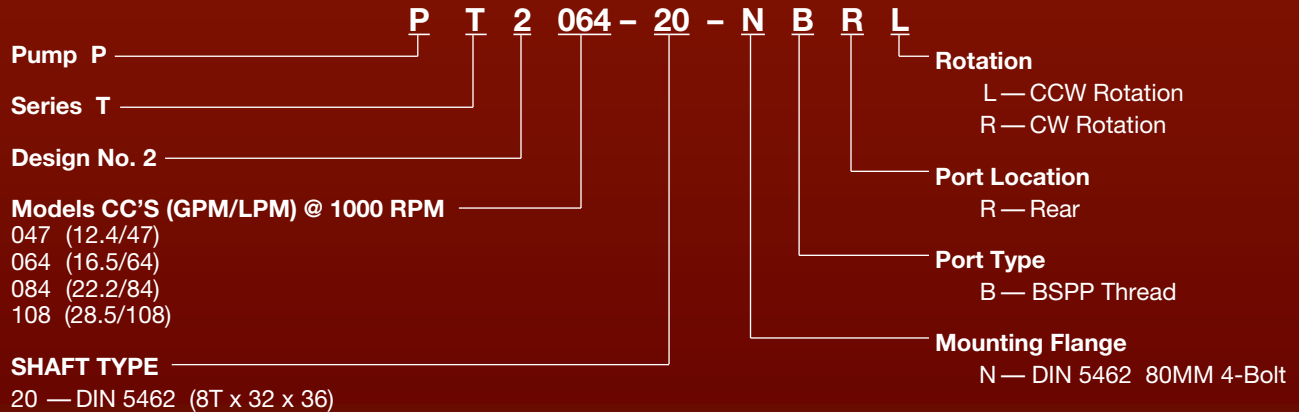


**ALL NEW
BENT AXIS DESIGN**

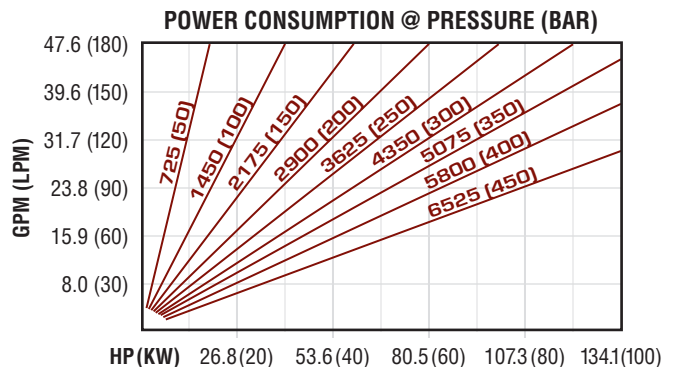
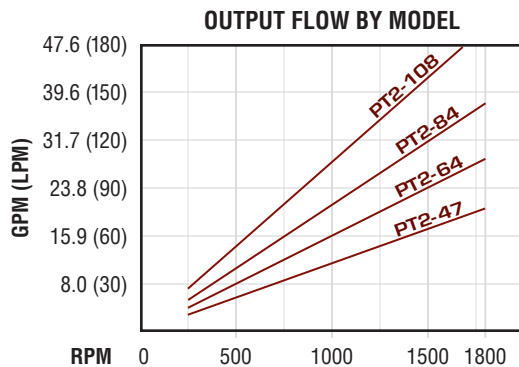
PUMP FEATURES

- FOUR STANDARD SIZES
11-21 GPM (43-80 LPM)
- PRESSURES TO 6525 PSI
(450 BAR) CONTINUOUS DUTY
- SPEEDS TO 2100 RPM
- DOUBLE SHAFT SEALS
- BSPP STRAIGHT THREAD PORTS
- DIN 5462 4-BOLT SHAFT & FLANGE
- SMALL LIGHTWEIGHT DESIGN
- FULL ONE YEAR WARRANTY

MODEL NUMBER CONSTRUCTION



PUMP PERFORMANCE



PISTON PUMP SPECIFICATIONS

MODEL NO.	DISPL. CU IN (CC)	MAX RPM	MIN RPM	MAX CONT. PSI (BAR)	MAX INLET VACUUM	WEIGHT LBS (KG)	PORTS	
							INLET (BSPP)	OUTLET (BSPP)
PT2-047	2.87 (47)	2100	600	6525 (450)	6 IN. HG. (.20 BAR)	23.1 (10.5)	1	3/4
PT2-064	3.91 (64)	2000	600	6525 (450)	6 IN. HG. (.20 BAR)	29.8 (13.5)	1-1/4	1
PT2-084	5.13 (80)	1900	600	5800 (400)	6 IN. HG. (.20 BAR)	29.8 (13.5)	1-1/4	1
PT2-108	6.59 (108)	1700	600	5075 (350)	6 IN. HG. (.20 BAR)	29.8 (13.5)	1-1/4	1

Maximum Oil Temperature: 180°F (82°C). **Note:** 10 Micron return line filtration recommended.

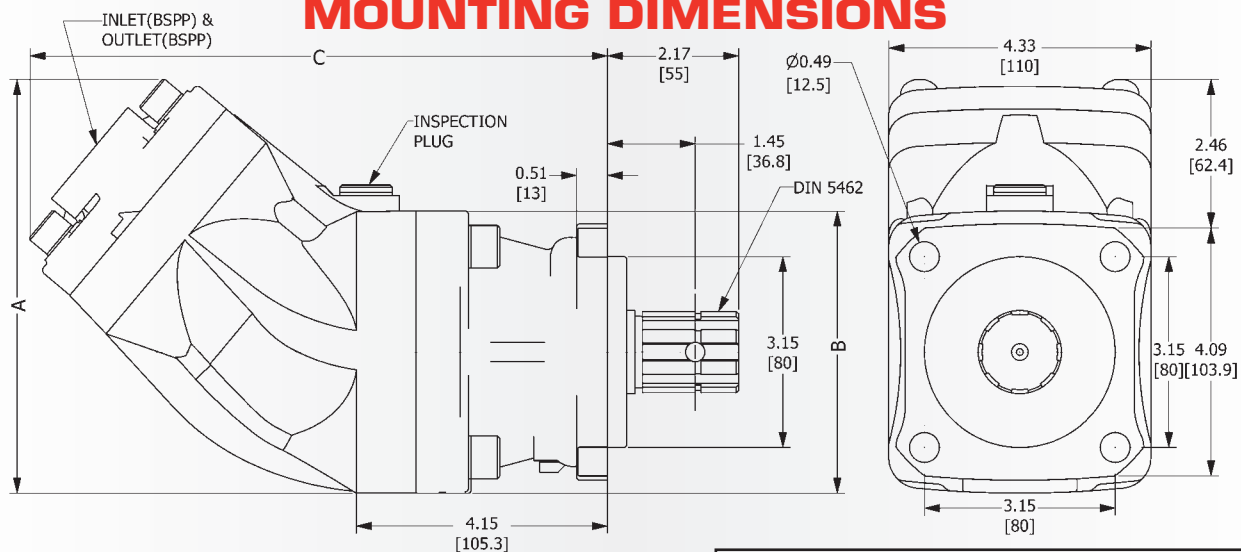
Recommended Oil Viscosity: 78-220 SUS (15-46 cST), 5000 SSU (1000 cST) max. startup

OPTIONAL FITTINGS

Optional low pressure & high pressure fittings provided for easy connection to typical North American hoses & thread types.

MODEL NO.	DESCRIPTION
R4BP45-24-16B	1-1/2 INCH HOSE BARB, 45 DEGREE, TO 1 INCH MALE BSPP, SWIVEL
R4BP45-32-20B	2 INCH HOSE BARB, 45 DEGREE, TO 1-1/4 MALE BSPP, SWIVEL
R4BP90-32-20B	2 INCH HOSE BARB, 90 DEGREE, TO 1-1/4 MALE BSPP, SWIVEL
HC-32-HD	HEAVY DUTY 2 INCH HOSE CLAMP
BP-MJ-12-12P	3/4 INCH MALE BSPP, TO -12 MALE JIC
BP-MJ45-12-12P	3/4 INCH MALE BSPP, 45 DEG., TO -12 MALE JIC
BP-MJ90-12-12P	3/4 INCH MALE BSPP, 90 DEG., TO -12 MALE JIC
BP-MJ90-12-16P	3/4 INCH MALE BSPP, 90 DEG., TO -16 MALE JIC
BP-MJ-16-12P	1 INCH MALE BSPP, TO -12 MALE JIC
BP-MJ-16-16P	1 INCH MALE BSPP, TO -16 MALE JIC
BP-MJ45-16-16P	1 INCH MALE BSPP, 45 DEG., TO -16 MALE JIC
BP-MJ90-16-16P	1 INCH MALE BSPP, 90 DEG., TO -16 MALE JIC
BP-MJ-20-20P	1-1/4 INCH MALE BSPP, TO -20 MALE JIC
BP-FBP-16-20	1 INCH MALE BSPP, TO 1-1/4 INCH FEMALE BSPP

MOUNTING DIMENSIONS



* Torque to 50-55 Ft.lbs. for rotation change.
Keep port cover flush to body when rotating.

MODEL	DIM A	DIM B	DIM C
47	6.18 (157)	4.21 (107)	8.66 (220)
64, 84, 108	6.81 (173)	4.64 (118)	9.44 (240)



MP07-05 Printed in the U.S.A.
© Muncie Power Products, Inc. 2007

Muncie Power Products, Inc. Member of the Interpump Hydraulics Group
General Offices and Distribution Center • P.O. Box 548 • Muncie, IN 47308-0548
(765) 284-7721 • FAX (765) 284-6991 • E-mail info@munciepower.com
Web site <http://www.munciepower.com>

Drive Products, Exclusive Agents for Canada, ISO Certified by an Accredited Registrar

