



# HS24 SERIES PTO

The 10-Bolt clutch shift PTO solution for limited clearance applications.



US Pat. 5,542,306

The HS24 Series PTO is specifically designed for the HINO 338 Series, but will fit other chassis with the Allison 3000 or 4000 Series transmission.

The sculptured housing clears mounting obstructions and provides a drop-in shift solenoid for a clean & simple installation.

- PROVEN CLUTCH SHIFT DESIGN
- DESIGNED TO FIT HINO 338 CHASSIS AND OTHER CHASSIS WITH ALLISON WORLD TRANSMISSIONS SERIES 3000 OR 4000
- DUCTILE IRON HOUSING WITH INTEGRAL SOLENOID
- 4-SPEED RATIOS
- TORQUE RATINGS FROM 325 FT.LB.
- INTEGRAL SHAFT BRAKE
- WIDE ARRAY OF DRIVELINE OUTPUTS AND HYDRAULIC PUMP MOUNTS

# HS24 SERIES PTO

## MODEL NUMBER CONSTRUCTION

**HS 24 - A10 07 - H 3 K X**

### PTO Type

Clutch Shift — HS

### Mounting

10-Bolt Mount, Sculptured Housing — 24

### Transmission

Allison

### Gear Data

10.10P RH — A10

### Speed Ratio

06 — 0.56:1

07 — 0.70:1

09 — 0.87:1

12 — 1.15:1

### Shifter Type

Electric/Hydraulic (12 Volt) — H

Electric/Hydraulic (24 Volt) — J

Less Activation Kit — P

### Assembly Arrangement

3

### Special Features

X — None

B — Hose Kit (HD Trans. R.S.)

D — Pulse Generator & SPD1001A

U — Pulse Generator

2 — Hose Kit Special 36"

3 — Hose Kit Special 17"

### Output Types\*

B — 1-1/4" Rd; 5/16" KW

K — SAE "B" 2 & 4 Bolt 7/8" - 13T

P — SAE "BB" 2 & 4 Bolt 1" - 15T

Q — SAE "A" 2-Bolt 7/8" - 13T

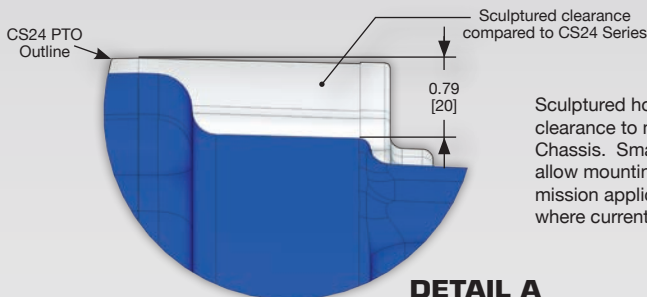
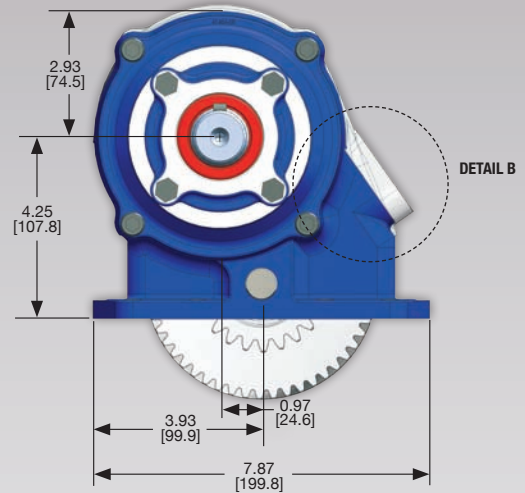
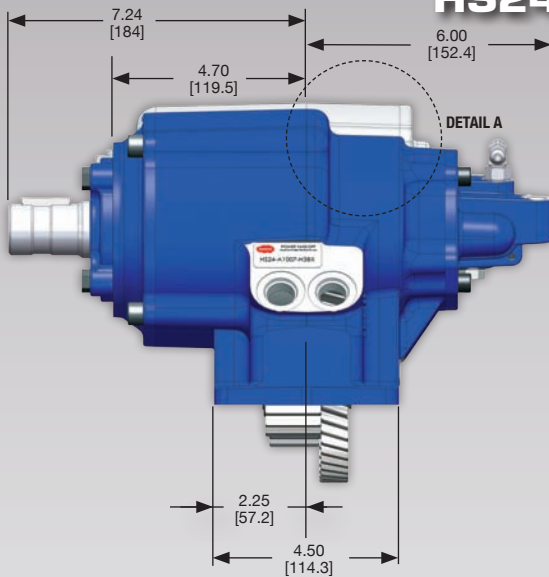
S — SAE "B" 2-Bolt 7/8" - 13T

T — SAE "A" 2-Bolt 3/4" - 11T

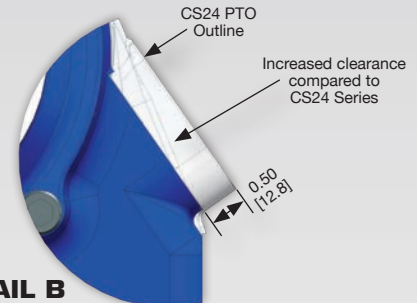
6 — SAE "B" 2-Bolt 7/8" - 13T

\* Larger shaft options. I, D, or Z are not available.

## HS24 DIMENSIONS



Sculptured housing design allows for clearance to motor mounts on Hino Chassis. Smaller overall housing can allow mounting or other 10-Bolt transmission applications. Can be used where current CS24 PTOs mount.



**Muncie®  
Power  
Products**

**Muncie Power Products, Inc.** Member of the Interpump Hydraulics Group  
General Offices and Distribution Center • P.O. Box 548 • Muncie, IN 47308-0548  
(765) 284-7721 • FAX (765) 284-6991 • E-mail info@munciepower.com  
Web site <http://www.munciepower.com>

Drive Products, Exclusive Agents for Canada, ISO Certified by an Accredited Registrar

