

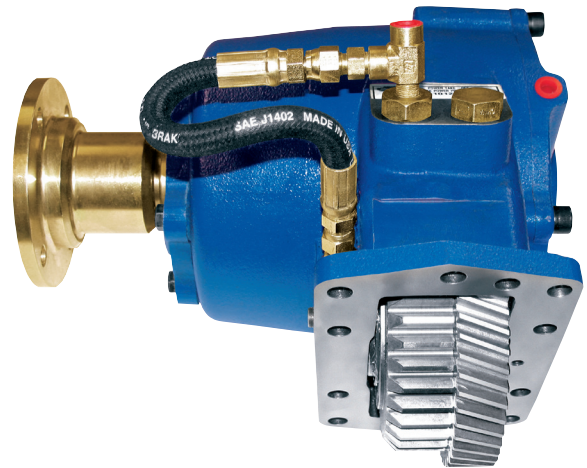
CD40 SERIES

CONSTANT DRIVE POWER TAKE-OFF



DESIGNED FOR MAXIMUM OUTPUT TORQUE

The CD40 Series power take-off is designed for maximum output torque for live engine driven equipment using Allison World or Caterpillar automatic transmissions. Built with the same gear and housing designs as the CS41, the CD40 Series is used when maximum power is necessary and PTO disengagement is not required.



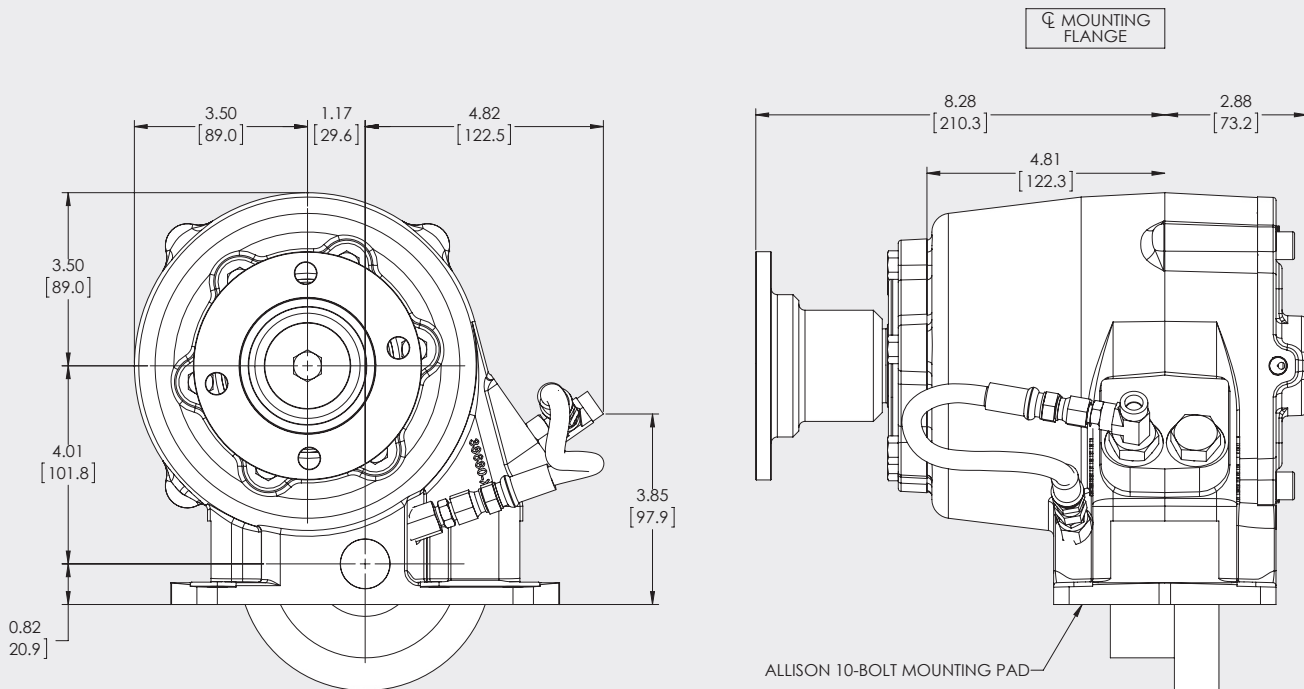
KEY FEATURES

- Precision ground gears: High torque capacity with quiet operation
- Extra large bearings and components: High torque and durability
- 1410 Series remote mount output shaft: For remote pump drives
- S.A.E. "C" and DIN 5462 direct mount options: Fits most popular pumps requiring high power input
- Rotatable direct mount flanges: Allows pump to be positioned for maximum clearance
- Two assembly arrangements: Allows the PTO to be mounted shaft high or low on either side of the transmission
- Standard pressure lubrication: No extra cost

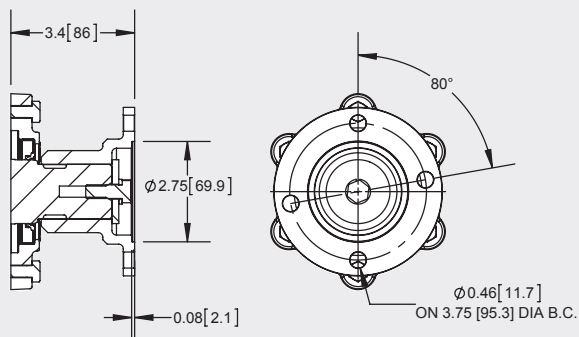
PTO TORQUE & HORSEPOWER RATINGS

SPEED RATIO	INTERMITTENT HP@1000 RPM	INTERMITTENT TORQUE LBS.FT.	CONTINUOUS TORQUE LBS.FT.	INTERMITTENT [KW]@1000 RPM	INTERMITTENT TORQUE [NM]	CONTINUOUS TORQUE [NM]
07	114	600	420	[85]	[813]	[569]

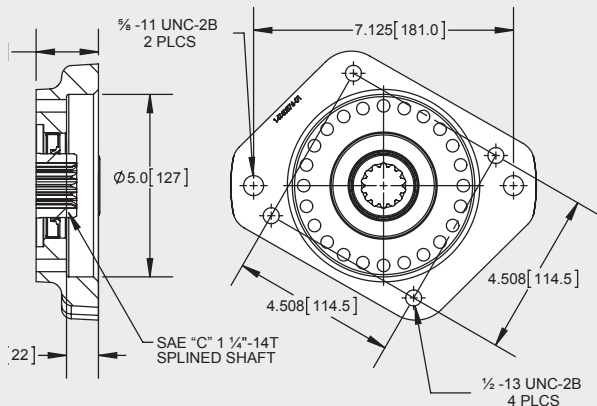
DIMENSIONS



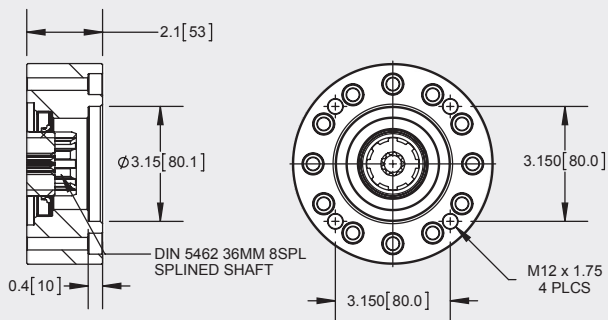
OUTPUT OPTIONS



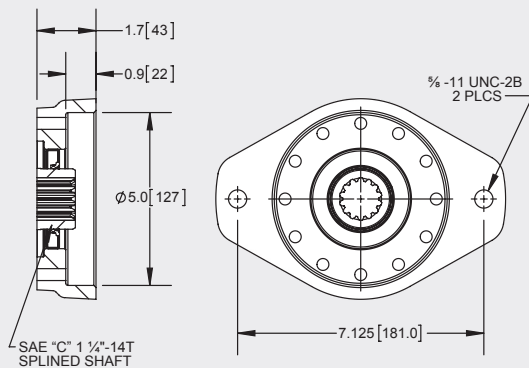
"C" OUTPUT - 1410 COMP FLANGE



"E" OUTPUT - SAE "C" 2/4-BOLT

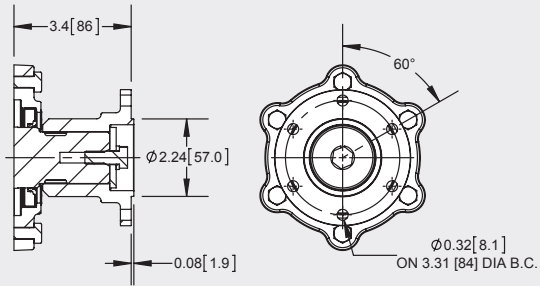


"I" OUTPUT - DIN 5462

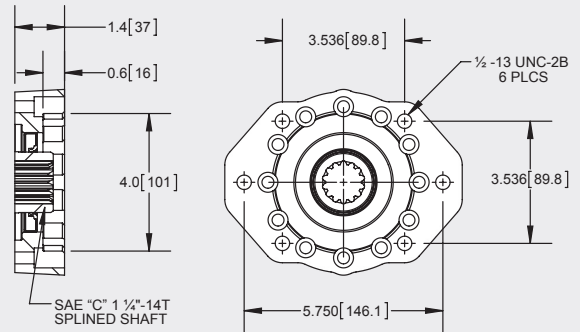


"Y" OUTPUT - SAE "C" 2-BOLT

OUTPUT OPTIONS



"2" OUTPUT - DIN120 COMP FLANGE



"Z" OUTPUT - SAE "B" 2/4-BOLT FLANGE
SAE "C" 1 1/4"-14T SHAFT

MODEL NUMBER CONSTRUCTION

CD-40-A10-07 M-3-C-X

PTO Type

Constant Drive — CD

Mounting

10-Bolt Mount Design 4 — 40

Transmission

Allison 10.16P RH — A10

Speed Ratio

07 — 0.74:1

Shifter Type

Constant Mesh — M

Special Features

- X — None
- B — Hose Kit (HD Trans. R.S.)
- 3 — Spl. Hose Kit 17"

Output Types

- C — 1410 Comp. Flange
- E — SAE "C" 2- or 4-Bolt
- I — DIN 5462
- Y — SAE "C" 2-Bolt Only
- Z — SAE "C" Shaft, SAE "B" Flange
- 2 — DIN Comp. Flange

Assembly Arrangement

- 1
- 3



Member of the Interpump Group
MP15-20 (Rev. 09-16)

201 East Jackson Street • Muncie, Indiana 47305
800-367-7867 • Fax 765-284-6991 • info@munciepower.com • www.munciepower.com
Specifications are subject to change without notice. Visit www.munciepower.com
for warranties and literature. All rights reserved. © Muncie Power Products, Inc. (2015)