

HYDRAULIC FILTERS

PRESSURE AND RETURN LINE STYLE



CLEANER HYDRAULIC SYSTEMS REDUCE CONTAMINATION

Muncie Power's hydraulic filters reduce contamination related failures and equipment down time by ensuring cleaner hydraulic systems. We offer both nominal and absolute filtration with flow to 100 GPM.



STANDARD MODEL SPECIFICATIONS

MODEL NUMBER	MODEL STYLE	MEDIA TYPE	MICRON RATING	BYPASS SETTING	PORT TYPE	PORT SIZE	GAUGE NO.*	REPLACE. ELEMENT
RETURN LINE								
RLF*-25	A	C	10	25	NPT (2)	-16	FG-4	RE-25
RLF*-501	B	C	10	25	NPT (2)	-20	FG-4	RE-501
RLF*-100	C	C	10	25	NPT (2)	-24	FG-4	RE-501
RLF*-101	C	C	25	25	NPT (2)	-24	FG-4	RE-101
RLF*-241-L10G25P66	A	G	10	25	NPT (2)	-16	FG-4	RE-241L10G
RLF*-501-L10G25P77	B	G	10	25	NPT (2)	-20	FG-4	RE-501L10G
TANK TOP RETURN LINE								
TRLF*-501	E	C	10	25	NPT (2)	-20	FG-4	TRE-501
TRLF*-503	E	C	10	15	ODT (1)	-20	FG-3	TRE-501
TRLF*-503-10G25S77	E	G	10	25	ODT (1)	-20	FG-4	TRE-50110G
49T37524	E	C	10	25	ODT (2)	-20/24	FG-4	TRE-503(2)
PRESSURE LINE								
PLFR-451-10C50S55**	D	C	10	50	ODT (2)	-12	NA	PRE-45110C
PLFR-451-10C50S66**	D	C	10	50	ODT (2)	-16	NA	PRE-45110C

* Add letter G to model number to include gauge. All gauge ports are 1/8 NPT.

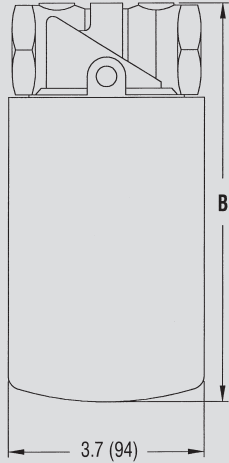
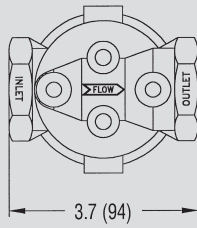
** Requires two mounting kits: PLFR-451-MK.

Note: Use electrical indicator switch part no. PM-515A to replace visual indicator FG-4. Does not include wiring and panel light.

STANDARD MODEL STYLES

STYLE A

IN (MM)



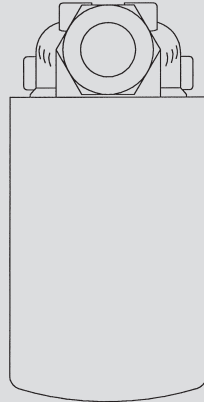
Models

RLF*-25
RLF*-241-L***

Dim B

07.2 (183)
10.2 (259)

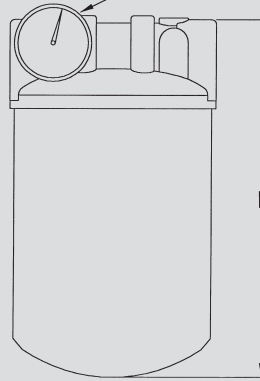
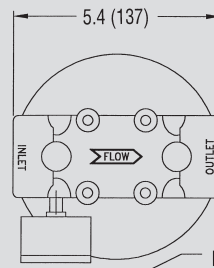
Note: Elements will not interchange between the two models



Note: Allow .63" (16) clearance for element removal

STYLE B

IN (MM)



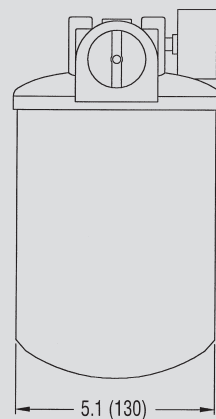
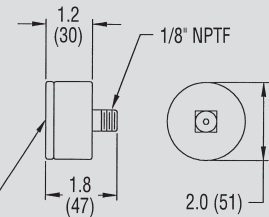
Note: Allow 1.5" (38) clearance for element removal

Models

RLF*-501
RLF*-501-L***

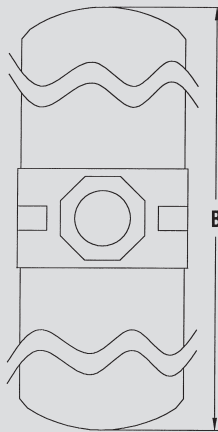
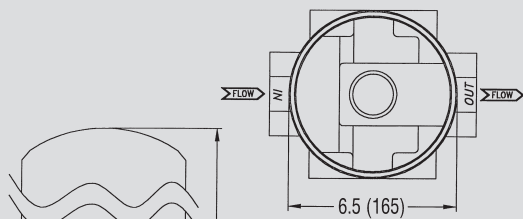
Dim B

09.3 (236)
13.3 (338)



STYLE C

IN (MM)

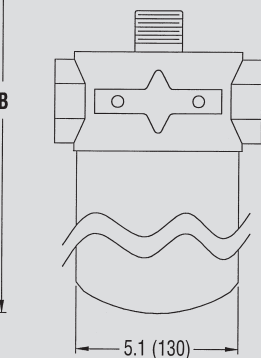


Models

RLF*-100
RLF*-101
RLF*-100-L***

Dim B

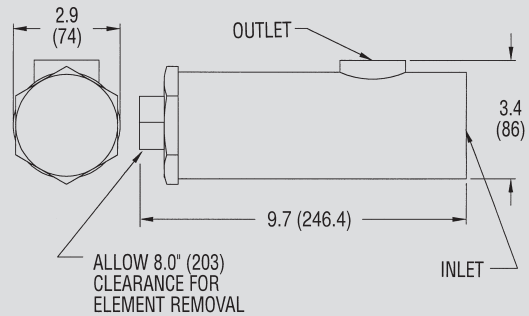
17 (432)
25 (635)
25 (635)



Note: Allow 1.5" (38) clearance for element removal

STYLE D

IN (MM)

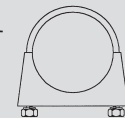


Model

PLFR-451-***

MOUNTING KIT

PLFR-451-MK
2 REQUIRED



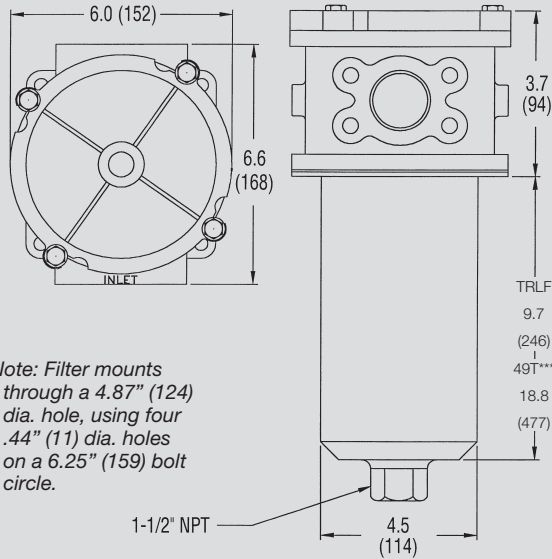
STANDARD MODEL STYLES (CONT)

STYLE E

IN (MM)

Models

TRLF*-50*-***
49T37524



Note: Filter mounts through a 4.87" (124) dia. hole, using four .44" (11) dia. holes on a 6.25" (159) bolt circle.

Note: Allow 9.0" (229) clearance for element removal

MODEL NUMBER CONSTRUCTION

TRLF-G-50-1-L 10-G-25-P-7-7

Product Style

Return Line, Spin On — RLF
Tank Top, Return, Drop In Element — TRLF
Pressure Line, Drop In Element — PLFR

Condition Indicator*

Analog Gauge (Colors) — G

Series (Max Flow Capacity)

024 GPM Max — 024 045 GPM Max — 045
025 GPM Max — 025 050 GPM Max — 050
027 GPM Max — 027 055 GPM Max — 055
037 GPM Max — 037 100 GPM Max — 100

Design Number*

First Design — 1

Element Length*

Long — L

Micron Rating

10 Micron — 10
25 Micron — 25

Port Size (Secondary)

See Below

Port Size*

5 — (-12)
6 — (-16)
7 — (-20)
8 — (-24)

Port Type

P — NPT Pipe Thread
S — ODT Straight Thread

Bypass Valve Setting*

15 — 15 PSI
25 — 25 PSI
50 — 50 PSI

Media Type

C — Cellulose (Paper)
G — Microglass (300 PSI)

* Delete for None

Note: All microglass media elements carry a Beta Rating of B10 = 75.
All RLF style filters use spin on style elements. All others use drop in elements.



Muncie Power Products, Inc., Member of Interpump Group
201 East Jackson Street, Muncie, Indiana, USA 47305
1-800-367-7867

Specifications are subject to change without notice. All rights reserved.
Please check www.munciepower.com for warranties and current versions of literature.
MP15-35 (Rev. 02-15)