



# STEEL SIDE MOUNT HYDRAULIC OIL RESERVOIRS

QUALITY RESERVOIRS FROM A QUALITY SUPPLIER  
LOADED WITH STANDARD FEATURES



---

## APPLICATIONS

- Snow and Ice Control Equipment • Large & Small Dump Bodies • Hydraulic Motor Circuits •
  - Cranes • Low Boy Trailers • Small Refuse Equipment • Tow and Rescue Equipment •
  - Aerial Lifts • Utility Equipment • Service Bodies • Farm Bodies •

---

## STANDARD FEATURES

- Hot Rolled Steel Pickled And Oiled.  
No Additional Preparation Needed
  - 100% Pressure Tested To Eliminate Leaks  
In The Field
  - Welded Mounting Angles With Punched Holes
  - Internal Full Size Baffle Between The Outlet And  
Return Ports
  - Filler Breather Assembly Standard With Nylon  
Strainer And 40 Micron 1/4 Turn Chromed  
Filler Cap
  - Easy To Read Five Inch Fluid Level Sight Gauge  
With Thermometer Standard
  - 3/4 Inch N.P.T. Magnetic Drain Plug
  - Multiple Porting
-

# 15 & 25 GALLON RESERVOIRS

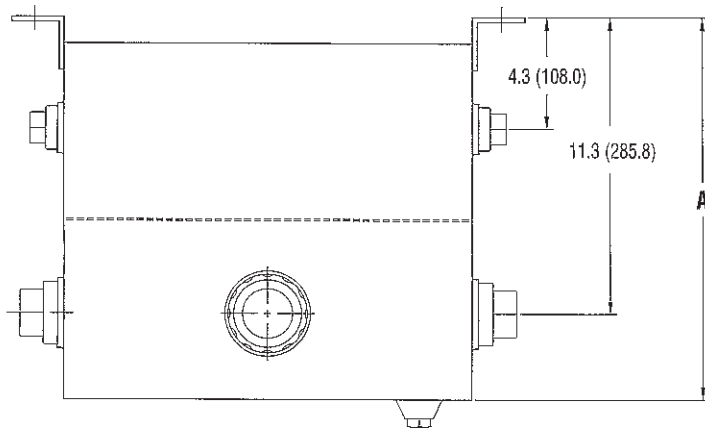
Reservoirs are designed to be easily installed with welded mounting angles and punched holes. Right or left side installation with common port sizes on each end. Works well on either intermittent or continuous duty applications.

## ADDITIONAL FEATURES

- Dual Outlet Ports (2" N.P.T.) And Dual Return Ports (1-1/4" N.P.T.) For Flexible Mounting Locations
- Custom Designs Or Special Features Requests Welcome
- Salt Spray Resistant Black Powder Coat Finish On The 15 Gallon. Black Paint Finish On The 25 Gallon

## OVERALL DIMENSIONS IN INCHES (MM)

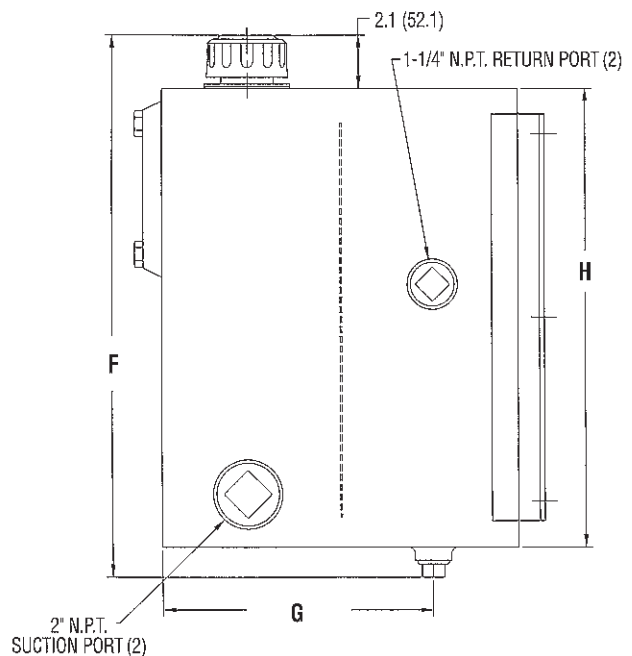
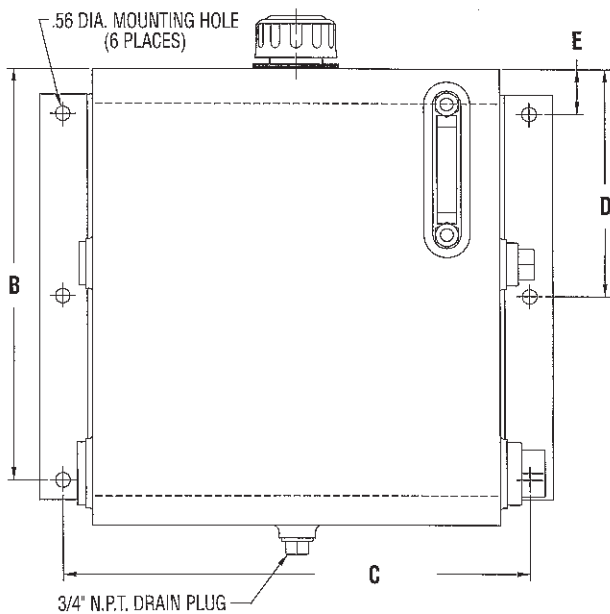
15 GALLON (12.5 IMPERIAL GALLONS) • 25 GALLON (20.8 IMPERIAL GALLONS)



Dim	15 Gallon	25 Gallon
A	14.50 (368.3)	16.00 (406.4)
B	15.75 (393.7)	18.00 (457.2)
C	17.75 (450.9)	22.25 (565.1)
D	8.75 (222.3)	10.00 (254.0)
E	1.75 (44.5)	2.00 (50.8)
F	20.70 (525.8)	22.10 (561.3)
G	10.20 (259.1)	11.75 (298.6)
H	17.50 (444.5)	20.00 (508.0)

### Approximate Weights

55 lbs (25 kg)    75 lbs (34 kg)



*Note: Desired fill point determined by installer. Usable capacity limited by fill point and pump outlet port position.*



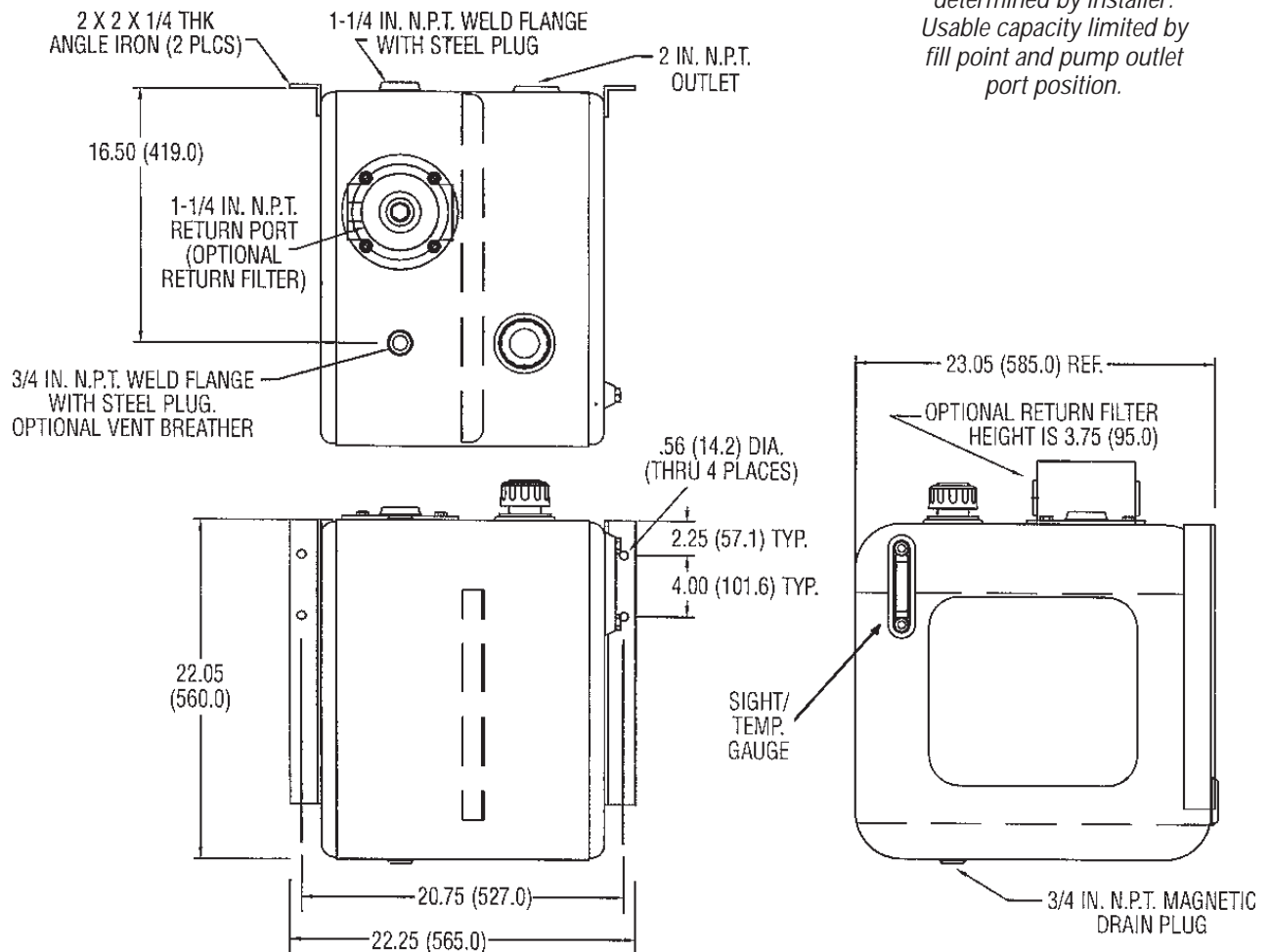
# 35 GALLON RESERVOIR

Reservoirs are designed to be easily installed with welded mounting angles and punched holes. Versatile installation with multiple return ports. Optional tank top filter and sensors provide product diversity. Works well on either intermittent or continuous duty applications.

## ADDITIONAL FEATURES

- Extra 1-1/4" N.P.T. Port
- Salt Spray Resistant Black Powder Coat Finish
- Custom Designs/Special Features Requests Welcome
- Anti-oil Foaming Return Line Diffuser
- Optional Tank Top Return Line Filter
- Optional Hot, Cold, Low/Hot Oil Sensors

## OVERALL DIMENSIONS IN INCHES (MM) 35 GALLON (29.1 IMPERIAL GALLONS)



*Note: Desired fill point determined by installer. Usable capacity limited by fill point and pump outlet port position.*

*Note: Approximate weight is 100 lbs (45.4 kg).*

*Note: Maximum oil temperature is 180°F.*



Muncie Power Products, Inc.

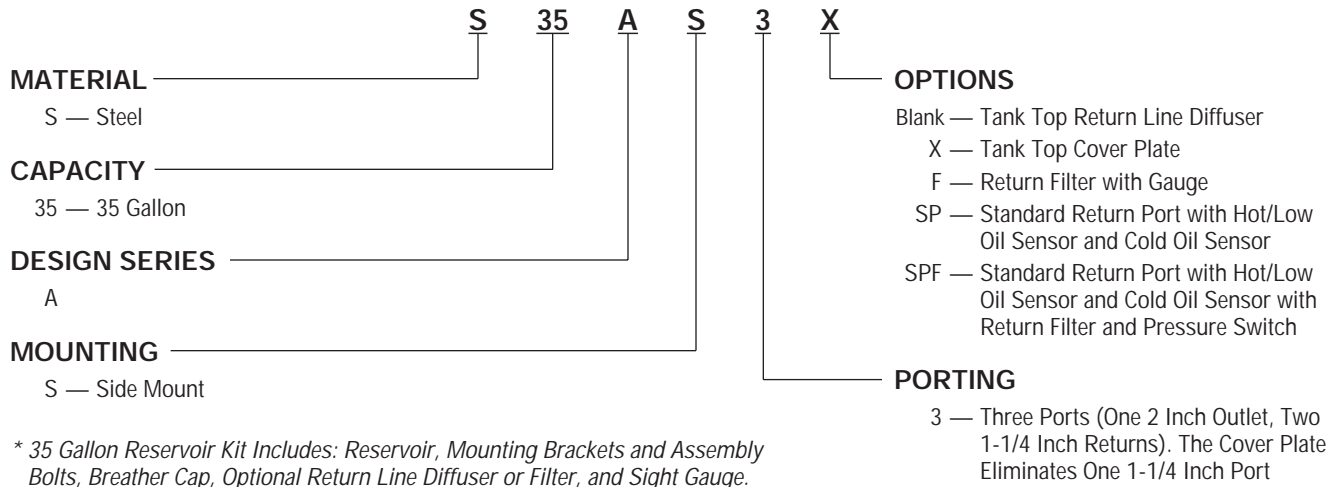
# MODEL NUMBER CONSTRUCTION

## 15 & 25 GALLON RESERVOIRS

15 GALLON STEEL: S15AS-X

25 GALLON STEEL: S25AS-X

## 35 GALLON RESERVOIRS \*



## RESERVOIR WARRANTY

The Muncie Steel Hydraulic Oil Reservoir is warranted against any defect in material and workmanship which existed at the time of sale by Muncie, according to the following provisions, subject to the requirements that the Reservoir must be used only in accordance with catalogue and package instructions.

The Reservoir is warranted for a period of one year from the date of installation. If during the warranty period the Reservoir fails to operate to Muncie's specifications due to a defect in any part in material or workmanship that existed at the time of sale by Muncie, the defective part will be repaired or replaced, at Muncie's election, at no charge, if the defective part is returned to Muncie with transportation prepaid.

**Warning.** The above warranty shall terminate if any alterations or repairs are made to the Reservoir other than at a Service Center owned by Muncie, or if the Reservoir is used on any equipment other than the equipment upon which it is first installed.

**THE FOREGOING WARRANTIES ARE IN LIEU OF ALL OTHER OBLIGATIONS AND LIABILITIES, INCLUDING NEGLIGENCE AND ALL WARRANTIES OF MERCHANTABILITY AND SUITABILITY, EXPRESSED OR IMPLIED AND STATE MUNCIE'S ENTIRE AND EXCLUSIVE LIABILITY AND BUYER'S EXCLUSIVE REMEDY FOR ANY CLAIM OF DAMAGES IN CONNECTION WITH THE SALE, REPAIR OR REPLACEMENT OF THE ABOVE GOODS, THEIR DESIGN, INSTALLATION OR OPERATION. MUNCIE WILL IN NO EVENT BE LIABLE FOR ANY DIRECT, INDIRECT, SPECIAL, INCIDENTAL OR CONSEQUENTIAL DAMAGES WHATSOEVER, AND OUR LIABILITY UNDER NO CIRCUMSTANCES WILL EXCEED THE CONTRACT PRICE FOR THE GOODS FOR WHICH LIABILITY IS CLAIMED.**



Muncie Power Products, Inc. General Offices & Distribution Center • P.O. Box 548 • Muncie, IN 47308-0548  
(765) 284-7721 • FAX (765) 284-6991 • E-mail info@munciepower.com • Web <http://www.munciepower.com>  
Drive Products, Inc., Toronto, Exclusive Agents for Canada\*

