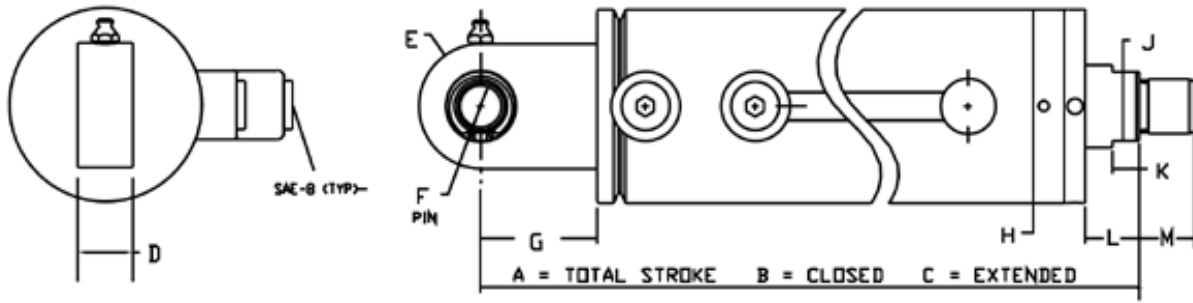
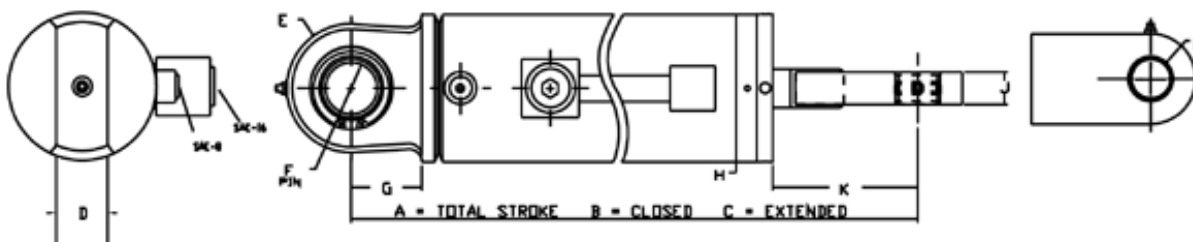


Telescopic Cylinder - R-SERIES

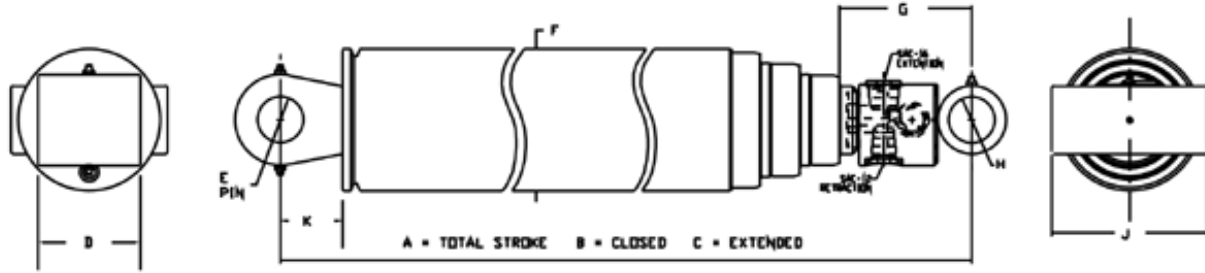


Many others sizes, strokes and mountings available upon request.

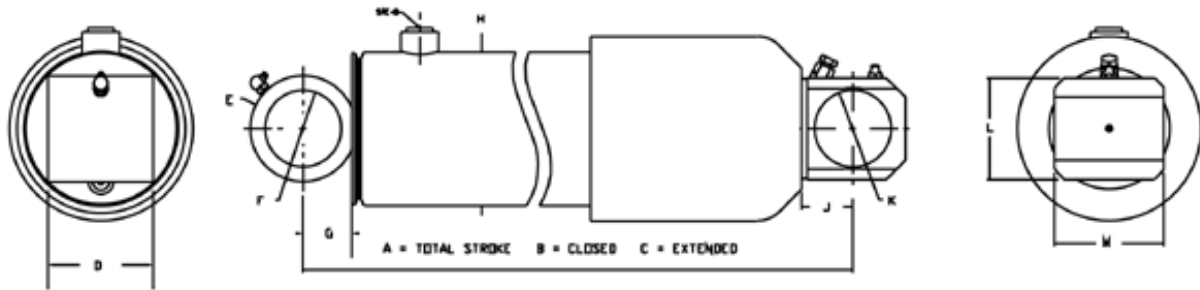
Code (Model)	A	B	C	D	E	F	G	H	J	K	L	M	Shaft Adapter	Note
PI2030NS4911 (SM6-22-3-8)	8	16 1/2	24 1/2	1	1 1/2	1	2	3 1/2	1 1/4	1/2	7/8	-	Ø3/4-16 UNF X 2 7/8 LG INSIDE ROD	NO HYDRAULIC TUBE - SEE INSIDE FOR CONFIGURATION
PI2030NS4913 (SM6-22-3-16)	16	25 1/2	41 1/2	1	1 1/2	1 1/2	2	3 1/2	1 3/4	1/2	1 7/8	-	Ø1-14 UNS X 3 1/2 LG INSIDE ROD	NO HYDRAULIC TUBE - SEE INSIDE FOR CONFIGURATION
PI2030NS4914 (SM6-22-3-18.5)	18 1/2	28	46 1/2	1	1 1/8	3/4	2 1/8	3 1/2	1 1/4	1/2	1	1	Ø1-14 UNS	W/HYDRAULIC TUBE - SEE INSIDE FOR CONFIGURATION
PI2030NS4919 (SM6-22-3-8)	8	18	26	1	1 1/2	1	2	3 1/2	1 1/4	1/4	1/8	2	Ø1-12 UNF	NO HYDRAULIC TUBE - SEE INSIDE FOR CONFIGURATION
PI2030NS4920 (SM6-22-3-7.88)	7 7/8	17 15/16	25 13/16	1	1 1/2	1 1/2	2	3 1/2	-	-	2 13/16	-	Ø1-14 UNS	NO HYDRAULIC TUBE - SEE INSIDE FOR CONFIGURATION



Code (Model)	A	B	C	D	E	F	G	H	J	K	L	Note
PI2050CC4921 (SM1-22-5-43.25)	43 1/4	60 1/4	103 1/2	1 1/2	2 1/2	2	3	5 3/4	1 1/4	5 7/8	1 1/2	NO HYDRAULIC TUBE - SEE IMAGE INSIDE
PI2050CS4922 (SM6-22-5-42.75)	42 3/4	59 1/4	102	2	2 1/2	2	2 3/4	5 3/4	1 1/4	5 5/8	1 1/2	HYDRAULIC TUBE



Code (Model)	A	B	C	D	E	F	G	H	J	K	Theoretical	
											Ext. Gal.	Wt. Lbs.
PCD0551573BC0629 (CS-156.88-5.5-3 DA)	156 7/8	76 1/2	233 3/8	4 1/2	2	6 1/4	5 13/16	2	6 7/8	2 3/4	13	364



Code (Model)	A	B	C	D	E	F	G	H	J	K	L	M	Theoretical	
													Ext. Gal.	Wt. Lbs.
PS0400562HB0144 (CS-55.5-4-2)	55 1/2	38	93 1/2	3 1/2	3 1/2	2 1/2	1 5/8	5 1/16	1 11/16	2 1/2	3 11/16	3 5/8	3.7	108