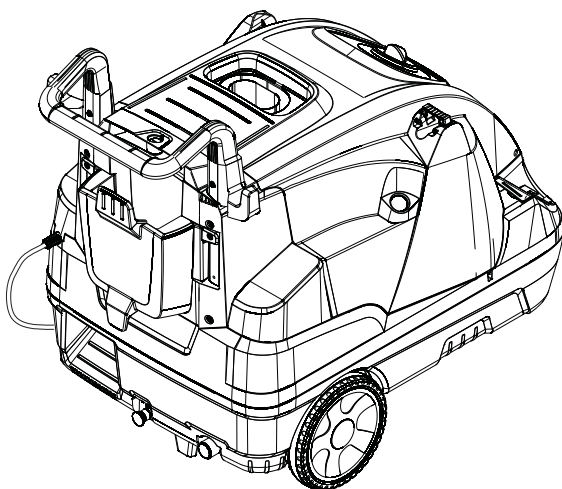


KÄRCHER

makes a difference

HDS 2.3/12 C Ed

English	5
Français	14
Español	25

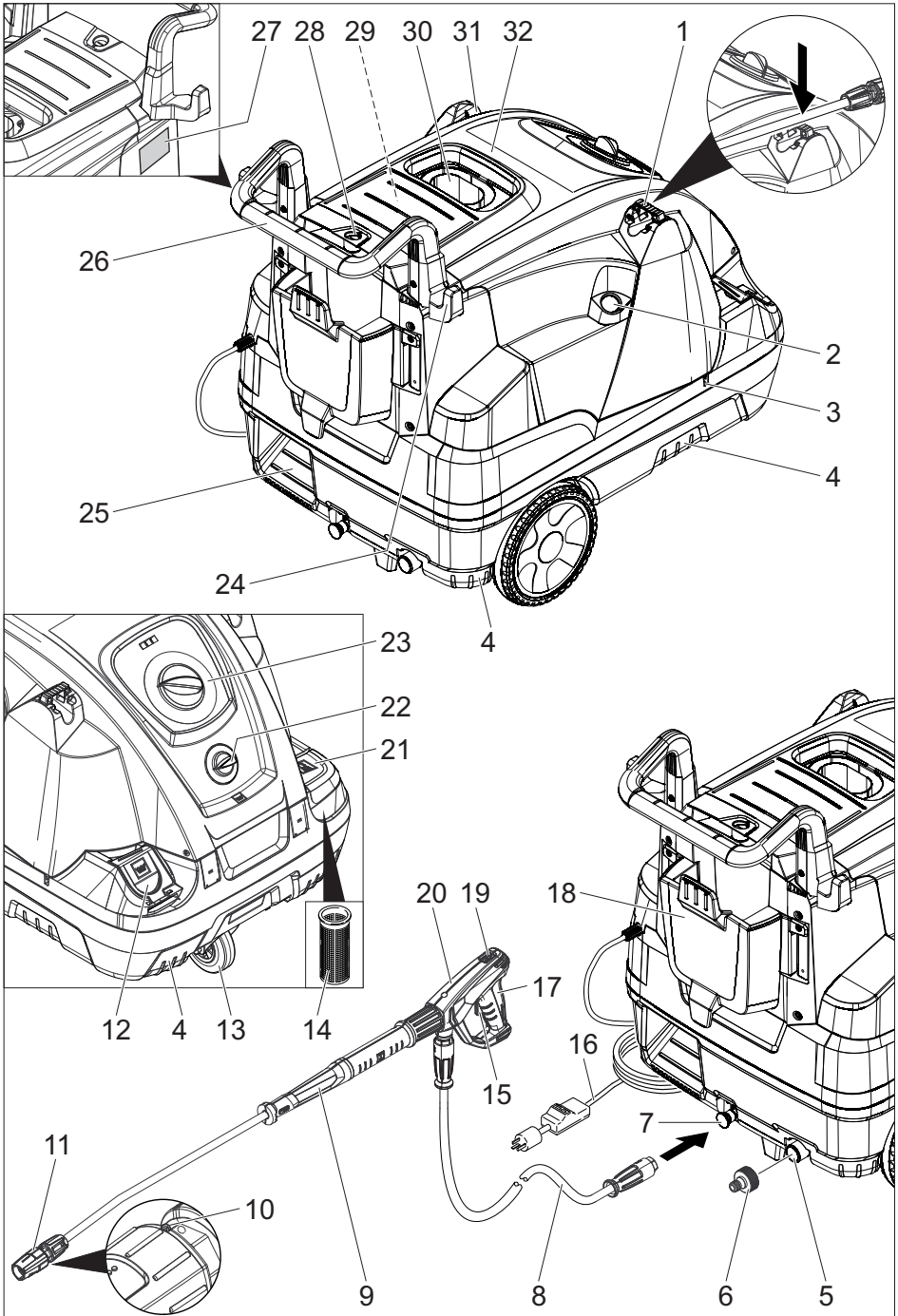


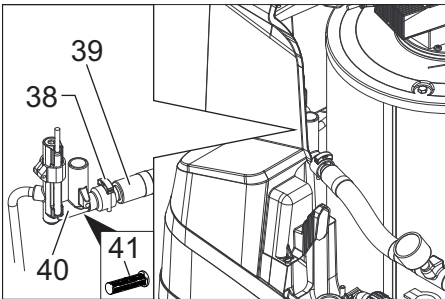
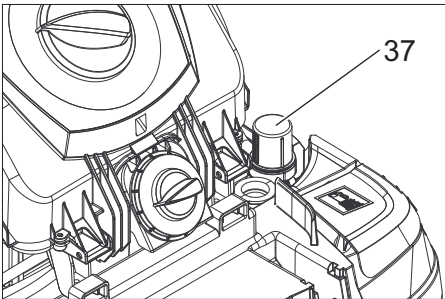
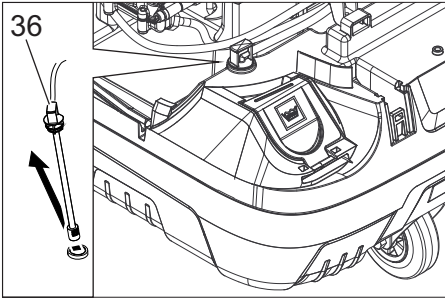
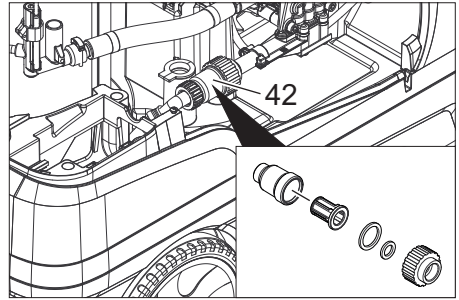
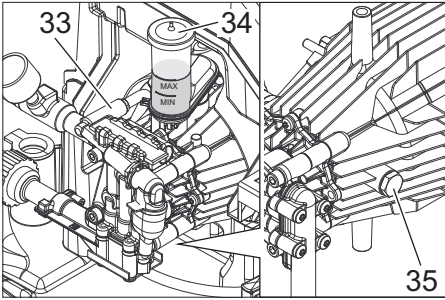
**Register
your product**

www.kaercher.com/welcome

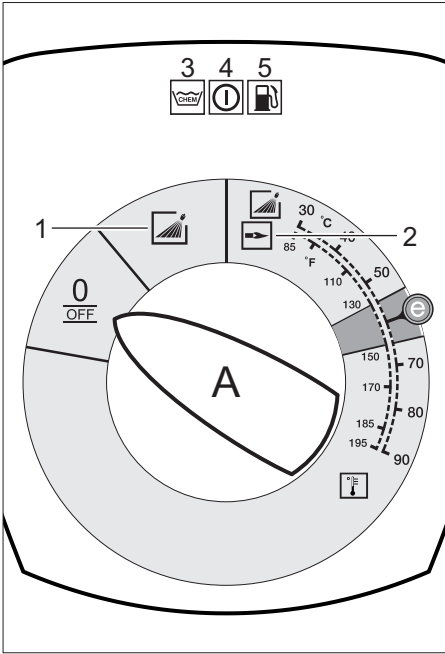


59681100 01/19

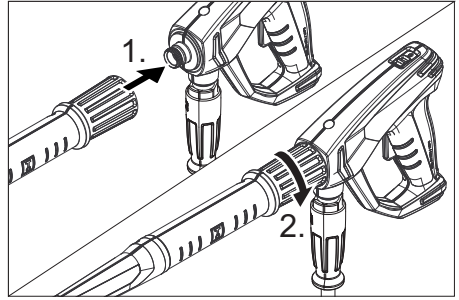




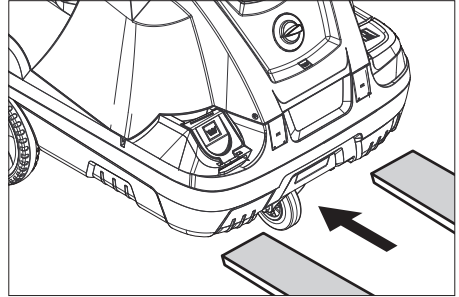
2



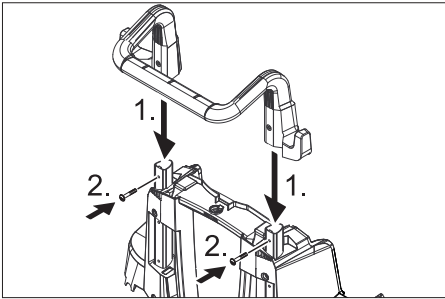
5



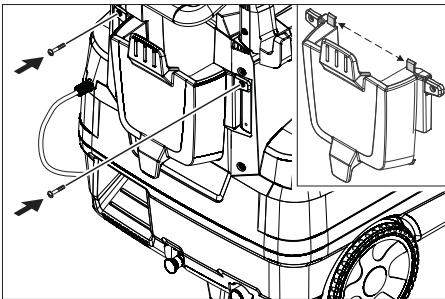
6



3



4



4

IMPORTANT SAFETY INSTRUCTIONS

⚠ WARNING

When using this product basic precautions should always be followed, including the following:

- 1 Read all the instructions before using the product.
- 2 High pressure jets can be dangerous if misused. The jet must not be directed at persons, animals, electrical devices, or the unit itself.
- 3 To reduce the risk of injury, close supervision is necessary when a product is used near children.
- 4 Know how to stop the product and bleed pressures quickly. Be thoroughly familiar with the controls.
- 5 Stay alert – watch what you are doing.
- 6 Wear safety goggles.
- 7 Do not use acids, alkaline, solvents, or any flammable material in this product. These products can cause physical injuries to the operator and irreversible damage to the machine.
- 8 Do not operate the product when fatigued or under the influence of alcohol or drugs.
- 9 Do not overreach or stand on unstable support. Keep good footing and balance at all times.
- 10 To reduce the risk of electrocution, keep all connections dry and off the ground. Do not touch plug with wet hands.
- 11 The Trigger Gun Safety Lock prevents the trigger from accidentally being engaged. This safety feature DOES NOT lock trigger in the ON position.
- 12 Keep operating area clear of all persons.
- 13 Close cover before operating the machine.
- 14 This appliance is intended for commercial use.
- 15 Follow the maintenance instructions specified in the manual.
- 16 This machine has been designed for use with cleaning chemicals supplied or recommended by the manufacturer. The use of other cleaning chemicals may affect the operation of the machine and void the warranty.
- 17 This product is provided with a Ground Fault Circuit Interrupter built into the power cord plug. If replacement of the plug or cord is needed, use only identical replacement parts.
- 18 Do not use extension cord with this product.
 - Injection hazard: equipment can cause serious injury if the spray penetrates the skin. Do not point the gun at anyone or any part of the body. In case of penetration seek medical aid immediately.
 - This system is capable of producing 1100 psi/7.6 MPa.
To avoid rupture and injury, do not operate this pump with components rated less than 1100 psi/7.6 MPa working pressure (including but not limited to spray guns, hose and hose connections).
 - Before servicing, cleaning, or removal of any part, shut off power and relieve pressure.
 - Do not spray electrical apparatus and wiring.
 - High Pressure. Keep clear of nozzle.
 - If connection is made to a potable water system, the system shall be protected against backflow.

Owner/User Responsibility

- The owner and/or user must have an understanding of the manufacturer's operating instructions and warnings before using this pressure washer.
- Warning information should be emphasized and understood.
- If the operator is not fluent in English, the manufacturer's instructions and warnings shall be read to and discussed with the operator in the operator's native language by the purchaser/owner, making sure that the operator comprehends its contents.
- Owner and/or user must study and maintain for future reference the manufacturer's instructions.

GROUNDING INSTRUCTIONS

This product must be grounded. If it should malfunction or breakdown, grounding provides a path of least resistance for electric current to reduce the risk of electric shock. This product is equipped with a cord having an equipment-grounding conductor and a grounding plug. The plug must be plugged into an appropriate outlet that is properly installed and grounded in accordance with all local codes and ordinances.

⚠ DANGER

Improper connection of the equipment-grounding conductor can result in a risk of electrocution. Check with a qualified electrician or service personnel if you are in doubt as to whether the outlet is properly grounded. Do not modify the plug provided with the product - if it will not fit the outlet, have a proper outlet installed by a qualified electrician. Do not use any type of adapter with this product.

GROUND FAULT CIRCUIT INTERRUPTER PROTECTION

This product is supplied with a Ground Fault Circuit Interrupter (GFCI) built into the power cord plug. This device provides additional protection from the risk of electric shock. If power is interrupted in the line, the GFCI will automatically re-close the circuit to the load after power is restored. Depending on the GFCI model, it may be necessary to manually operate the reset button to restore power to the GFCI load circuit. If replacement of the plug or cord is needed use identical replacement parts.

WATER SUPPLY

⚠ CAUTION

When connecting the water inlet to the water supply mains, local regulations of your water company must be observed. In some areas the unit must not be connected directly to the public drinking water supply. This is to ensure that there is no feedback of chemicals into the water supply. Direct connection via a receiver tank or backflow preventer, for example, is permitted. Dirt in the feed water will damage the unit. To avoid this risk, we recommend fitting a water filter.

- Garden hose must be at least 3/4 inch in diameter.
- Flow rate of water supply must not fall below 3.1 GPM (gallons per minute).
- Flow rate can be determined by running the water for one minute into an empty 5-gallon container.
- The water supply temperature must not exceed 86°F/30°C.
- Never use the pressure washer to draw in water contaminated with solvents, e.g. paint thinners, gasoline, oil, etc.
- Always prevent debris from being drawn into the unit by using a clean water source. Use additional water filter.

SAVE THESE INSTRUCTIONS!



Please read and comply with these original instructions prior to the initial operation of your appliance and store them for

- later use or subsequent owners.
- Before first start-up it is definitely necessary to read the operating instructions and safety indications Nr. 5.951-949.0!
- In case of transport damage inform vendor immediately.
- Check the contents of the pack before unpacking. For scope of delivery see illustration 1.
- At operating elevations of approx. 800 m above sea level or higher, please contact your dealer to have the burner setting adjusted to the elevation and reduced oxygen content.

Contents

Environmental protection	EN	1
Danger or hazard levels	EN	1
Overview	EN	1
Symbols on the machine	EN	2
Proper use	EN	2
Safety instructions	EN	2
Safety Devices	EN	2
Start up	EN	3
GFCI INSTRUCTIONS	EN	3
Operation	EN	3
Storage	EN	5
Transport	EN	5
Care and maintenance	EN	5
Troubleshooting	EN	6
Warranty	EN	6
Accessories and Spare Parts	EN	6
Technical specifications	EN	7

Environmental protection



The packaging material can be recycled. Please do not throw the packaging material into household waste; please send it for recycling.



Old appliances contain valuable materials that can be recycled; these should be sent for recycling. Batteries, oil, and similar substances must not enter the environment. Please dispose of your old appliances using appropriate collection systems.

Electrical and electronic devices often contain components which could potentially pose a danger to human health and the environment if handled or disposed of incorrectly. However, these components are necessary for the proper operation of the device. Devices marked with this symbol must not be disposed of with regular household rubbish.

Please do not release engine oil, fuel oil, diesel and petrol into the environment. Protect the ground and dispose of used oil in an environmentally-clean manner.

Notes about the ingredients (REACH)

You will find current information about the ingredients at:

www.kaercher.com/REACH

Danger or hazard levels

⚠ DANGER

Pointer to immediate danger, which leads to severe injuries or death.

⚠ WARNING

Pointer to a possibly dangerous situation, which can lead to severe injuries or death.

⚠ CAUTION

Pointer to a possibly dangerous situation, which can lead to minor injuries.

ATTENTION

Pointer to a possibly dangerous situation, which can lead to property damage.

Overview

Device elements

Figure 1

- 1 Support for spray lance
- 2 Manometer
- 3 Recess for detergent suction hose
- 4 Recessed grip (both sides)
- 5 Connection for water supply with filter
- 6 Water connection adapter
- 7 High-pressure connection EASY!Lock
- 8 High pressure hose EASY!Lock
- 9 Spray lance EASY!Lock
- 10 Marking of the nozzle
- 11 Triple nozzle EASY!Lock
- 12 Pouring vent for detergent
- 13 Steering roller with fixed position brake
- 14 Fuel sieve
- 15 Safety lever
- 16 Power supply
- 17 Trigger
- 18 Tool bag
- 19 Safety latch of the hand spray gun
- 20 Trigger gun EASY!Force
- 21 Pouring vent for fuel
- 22 Dosage valve for detergent
- 23 Operating field
- 24 Storage for hand spray gun
- 25 Step depression
- 26 Handle
- 27 Nameplate
- 28 Cover lock
- 29 Storage compartment for accessories
- 30 Burner
- 31 Recess for spray pipe
- 32 Cover
- 33 Backflow valve of the detergent infeed
- 34 Oil tank
- 35 Oil drain screw
- 36 Detergent suction hose with filter
- 37 Fuel filter
- 38 Fastening clamp
- 39 Hose (soft damping system) of the water shortage safeguard
- 40 Water shortage safeguard
- 41 Sieve in the water shortage safeguard
- 42 Fine filter (water)

Operating field

Figure 2

- A Power switch
0/OFF = Off
- Operating mode: Cold water operation
 - Operating mode: Hot water operation (e = Eco mode, hot water max. 140 °F/60 °C)
 - Indicator lamp for detergent
 - "Ready for use" indicator lamp
 - Fuel indicator lamp

Colour coding

- The operating elements for the cleaning process are yellow.
- The controls for the maintenance and service are light gray.

Symbols on the machine



High-pressure jets can be dangerous if improperly used. The jet may not be directed at persons, animals, live electrical equipment or at the appliance itself.



*Risk of electric shock!
Only electricians or authorised technicians are permitted to work on parts of the plant.*



Risk of burns on account of hot surfaces!



Risk of poisoning! Do not inhale exhaust fumes.

According to applicable regulations, the appliance must never be used on the drinking water net without a system separator. Ensure that the connection of your building water installation on which the high-pressure cleaner is operated is equipped with a system separator pursuant to EN 12729 Type BA. Water that was flowing through a system separator is considered non-drinkable.



⚠ CAUTION

Always connect the system separator to the water supply, never directly to the appliance!

Proper use

Cleaning of: Machines, Vehicles, Structures, Tools, Facades, Terraces, Gardening tools, etc.

⚠ DANGER

Risk of injury! Follow the respective safety regulations when operating at gas stations or other dangerous areas.

Please do not let mineral oil contaminated waste water reach soil, water or the sewage system. Perform engine cleaning and bottom cleaning therefore only on specified places with an oil trap.

Quality requirements for water:

ATTENTION

Only clean water may be used as high pressure medium. Impurities will lead to increased wear and tear or formation of deposits in the appliance and accessories. If recycled water is used, the following limit values must not be exceeded.

pH value	6,5...9,5
electrical conductivity *	Conductivity fresh water +1200 µS/cm
settleable solids **	< 0,5 mg/l
total suspended solids ***	< 50 mg/l
Hydrocarbons	< 20 mg/l
Chloride	< 300 mg/l
Sulphate	< 240 mg/l
Calcium	< 200 mg/l
Total hardness	< 28 °dH < 50 °TH < 500 ppm (mg CaCO ₃ /l)
Iron	< 0,5 mg/l
Manganese	< 0,05 mg/l
Copper	< 2 mg/l
Active chloride	< 0,3 mg/l
free of bad odours	
* Maximum total 2000 µS/cm	
** Test volume 1 l, settling time 30 min	
*** no abrasive substances	

Safety instructions

PROPOSITION 65

WARNING

The burner exhaust from this product contains chemicals known to the State of California to cause cancer, birth defects or other reproductive harm.

- Please follow the national rules and regulations for fluid spray jets of the respective country.
- Please follow the national rules and regulations for accident prevention of the respective country. Fluid spray jets must be tested regularly and the results of these tests must be documented in writing.
- The heating appliance of the machine is an ignition plant. All national laws and regulations about heating systems must also be followed.
- The appliance/accessories must not be modified.

Safety Devices

Safety devices serve for the protection of the user and must not be put out of operation or bypassed with respect to their function.

Pressure switch

- The pressure switch turns the device off when the handgun is closed and switch on when the handgun is opened.

Safety valve

- The safety valve opens, when the overflow valve resp. the pressure switch is broken.
- The safety valve is set by the manufacturer and sealed. Setting only by customer service.

Water shortage safeguard

- The water shortage safeguard prevents the burner to be turned on when there is water shortage.
- A sieve prevents the contamination of the safeguard and must be cleaned regular.

Temperature stop for exhaust gases

- The temperature stop switches off the machine when the waste gases have reached very high temperatures.

Start up

⚠ **WARNING**

Risk of injury! Appliance, accessories, supply lines and connections must be in fault-free condition. If they are not in a perfect state then the appliance must not be used.

- ➔ Lock parking brake.

Installing the handle

Figure 3

Screw tightening torque: 6.5-7.0 Nm

Install the tool bag

Figure 4

- ➔ Hook the tool bag onto the top tabs on the appliance.
- ➔ Tilt the tool bag down and lock it into place.
- ➔ Fasten the tool bag with 2 screws (torque: 6.5 - 7.0 Nm).

Install the hand-spray gun, the jet pipe, the nozzle and the high pressure hose

Note: The EASY!Lock system joins components with a quick-fasten thread solidly and securely with just one turn.

Figure 5

- ➔ Join the spray lance with the trigger gun and tighten until hand-tight (EASY!Lock).
- ➔ Mount the nozzle on the spray lance (marking on the adjustment ring at the top) and hand-tighten it (EASY!Lock).
- ➔ Join the high-pressure hose with trigger gun and high-pressure connection of the appliance and tighten until hand-tight (EASY!Lock).

Refill fuel

⚠ **DANGER**

Danger of explosion! Only refill diesel oil or light fuel oil. Inappropriate fuels, e.g. petrol, must not be used.

ATTENTION

Risk of damage! Never operate device with an empty fuel tank. The fuel pump will otherwise be destroyed.

- ➔ Refill fuel.
- ➔ Close tank lock.
- ➔ Wipe off spilled fuel.

Refill detergent

⚠ **DANGER**

Risk of injury!

- Use Kärcher products only.
- Under no circumstances fill solvents (petrol, acetone, diluting agent etc.)
- Avoid eye and skin contact.
- Observe safety and handling instructions by the detergent manufacturer.

Kärcher offers an individual cleaning and care appliances program.

Your dealer will consult you gladly.

- ➔ Refill detergent.

Water connection

For connection values refer to technical specifications.

- ➔ Connect the supply hose (minimum length 24.6 ft / 7.5 m, minimum diameter 3/4") to the water connection of the unit and to the water inlet (e.g. tap) using the water connection adapter.

Note: The supply hose is not included in the scope of delivery.

Suck in water from vessel

- ➔ Connect suction hose (minimum diameter 3/4") with filter (accessory) to the water connection point.
- Max. suck height: 1.6 ft (0.5 m)

Until the pump sucked in water, you should:

- ➔ Close the dosing valve for the detergent.

⚠ **DANGER**

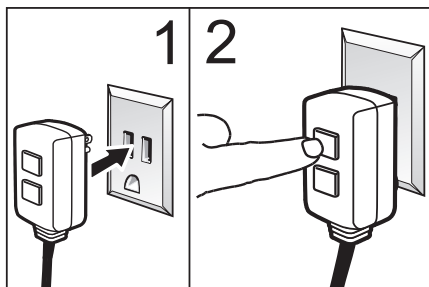
Risk of personal injury or damage! Never suck in water from a drinking water container. Never suck in liquids which contain solvents like lacquer thinner, petrol, oil or unfiltered water. The sealings within the device are not solvent resistant. The spray mist of solvents is highly inflammable, explosive and poisonous.

Power connection

- For connection values, see technical data and type plate.
- The electrical connections must be done by an electrician according to NEC and local codes.

GFCI INSTRUCTIONS

- ➔ **STEP 1:** Plug the Ground Fault Circuit Interrupter (GFCI) into a working outlet.
- ➔ **STEP 2:** Press "TEST", then press "RESET" to assure proper connection to power.
Note: The actual appearance of the GFCI may be different from this illustration.



Operation

⚠ **DANGER**

Danger of explosion! Do not spray flammable liquids.

⚠ **DANGER**

Risk of injury! Never use the appliance without the spray lance attached. Check and ensure proper fitting of the spray lance prior to each use. The screw connection of the spray lance must be finger-tight.

⚠ **DANGER**

Risk of injury! Hold the hand spray gun and the spray pipe firmly with both hands.

⚠ DANGER

Risk of injury! The trigger and safety lever may not be locked during the operation.

⚠ DANGER

Risk of injury! Contact Customer Service if the safety lever is damaged.

ATTENTION

Risk of damage! Never operate device with an empty fuel tank. The fuel pump will otherwise be destroyed.

Opening/closing the trigger gun

- To open the trigger gun: Actuate the safety lever and trigger.
- To close the hand spray gun: Release the safety lever and trigger.

Replace the nozzle

⚠ DANGER

Risk of injury! Switch the appliance off prior to replacing nozzle and activate hand spray gun until device is pressureless.

- Secure the trigger gun. To do so, push the safety catch towards the front.
- Replacing the nozzle.

Turning on the Appliance

- Set appliance switch to desired operating mode. Indicator lamp for operational readiness lights up. The device starts briefly and turns off, as soon as the working pressure is reached.

- Release the trigger gun. To do so, push the safety catch towards the back.

When activating the hand spray gun the device switches back on.

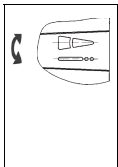
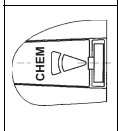
Note: If no water comes out of the high pressure nozzle, vent pump. Refer to "Help with malfunctions - appliance is not building up pressure".

Adjust cleaning temperature

- Set device switch to desired temperature.

Triple nozzle

- Close the hand spray gun.
- Turn the casing of the nozzle till the desired symbol matches the marking.

	<p>High pressure flat spray (25°) for large dirt areas</p> <p>High pressure circular spray (0°) for especially stubborn dirt</p>
	<p>Flat low pressure spray (CHEM) for operating using detergents or cleaning at low pressure.</p>

Select round or flat spray using touch-less switching:

- Close the hand spray gun.
- Turn the spray-pipe that is inclined about 45° downward to the left or the right.

Operation with detergent

- For considerate treatment of the environment use detergent economically.
- The detergent must be suitable for the surface to be cleaned.
- Set nozzle to "CHEM".
- With support of the detergent dose valve set detergent concentration as determined by the manufacturer.

Note: Recommended values at the control panel at maximum working pressure.

Note: If detergent is be suctioned from an external container, route the detergent suction hose through the recess to the outside.

Cleaning

- Set temperature and detergent concentration according to the surface to be cleaned.

Note: To prevent damage due to too much pressure, always position high pressure ray first from a greater distance towards object to be cleaned.

Recommended cleaning method

- Loosen the dirt:
- Spray detergent economically and let it work for 1...5 minutes but do not let it dry up.
- Remove the dirt:
- Spray off loosened dirt with the high pressure jet.

Operating with cold water

Removal of light contaminations and clear rinse, i.e.: Gardening tools, terrace, tools, etc.

Eco level

The appliance works in the most economical temperature range (max. 140 °F/60 °C).

Operating with hot water

⚠ DANGER

Scalding danger!

- Set device switch to desired temperature. We recommend the following cleaning temperatures:

- Light contaminations
86 °F/30 °C-122 °F/50 °C
- Contaminations containing protein, i.e. in the food processing industry
max. 140 °F/60 °C
- Vehicle cleaning, machine cleaning
140 °F/60 °C-194 °F/90 °C

Interrupting operation

- Secure the trigger gun. To do so, push the safety catch towards the front.

After operation with detergent

- Set dosing value for detergent to "0".
- Set the appliance switch to "1" (operation with cold water).
- Open the hand spray gun and rinse the appliance for at least 1 minute.

Turn off the appliance

⚠ DANGER

Danger of scalding from hot water! After operation with hot water, the device must be operated with opened handgun with cold water for at least two minutes.

- Shut off water supply.

- Open the hand spray gun.
- Switch on the pump with the power switch and allow to run for about 5-10 seconds.
- Close the hand spray gun.
- Set the appliance switch to "0/OFF".
- Pull main plug out of socket with dry hands only.
- Remove water connection.
- Activate hand spray gun until device is pressure less.
- Secure the trigger gun. To do so, push the safety catch towards the front.

Storing the Appliance

- Lock in the steel pipe into the holder of the appliance hood.
- Roll up high pressure hose and electrical conduit and hang them into the respective holders.

Note: Do not twist high pressure hose and electrical conduit.

Frost protection

ATTENTION

Risk of damage! Frost will destroy the appliance if the water has not been completely drained.

- Store in a frost free area.

If the device is connected to a chimney, the following must be observed:

ATTENTION

Threat of damage by penetrating cold air through the chimney.

- Disconnect device from chimney when outside temperature drops below 32 °F/0 °C.

If it is not possible to store frost free, shut down device.

Shutdown

For longer work breaks or if a frost free storage is not possible:

- Empty detergent tank.
- Drain water.
- Flush device with anti-freeze agent.

Dump water

- Screw off water supply hose and high pressure hose.
- Screw off supply hose at boiler bottom and drain heating spiral empty.
- Operate device for max. 1 minute until the pump and conduits are empty.

Flush device with anti-freeze agent

Note: Observe handling instructions of the anti-freeze agent manufacturer.

- Use commercially available anti-freeze agent.
- Switch on appliance (without heater) till the appliance has been completely rinsed.

A certain corrosion protection is achieved with this as well.

Storage

⚠ CAUTION

Risk of personal injury or damage! Consider the weight of the appliance when storing it.

Transport

Figure 6

ATTENTION

Risk of damage! When loading the appliance with a forklift, observe the illustration.

ATTENTION

Protect the trigger from damage during transport.

⚠ CAUTION

Risk of personal injury or damage! Mind the weight of the appliance during transport.

- When transporting in vehicles, secure the appliance according to the guidelines from slipping and tipping over.

Care and maintenance

⚠ DANGER

Risk of injury by inadvertent start-up of appliance and electric shock. Prior to all work on the appliance, switch off the appliance and pull the power plug.

- Shut off water supply.
- Open the hand spray gun.
- Switch on the pump with the power switch and allow to run for about 5-10 seconds.
- Close the hand spray gun.
- Set the appliance switch to "0/OFF".
- Pull main plug out of socket with dry hands only.
- Remove water connection.
- Activate hand spray gun until device is pressure less.
- Secure the trigger gun. To do so, push the safety catch towards the front.
- Allow device to cool down.

Your Kärcher vender will inform you about the performance of a periodic safety inspection resp. signing of a maintenance contract.

Maintenance intervals

Weekly

- Clean the sieve in the water connection.
- Clean the fine filter.
- Clean the fuel sieve.
- Check oil level.

ATTENTION

Risk of damage! In case of lacteous oil inform Kärcher customer service immediately.

Monthly

- Clean sieve in the water shortage safe guard.
- Clean filter at the detergent suck hose.

Every 500 operating hours, at least annually

- Oil change.
- Have the maintenance of the device performed by the customer service.

Maintenance Works

Clean the sieve in the water connection

- Take out sieve.
- Clean sieve in water and reinstall.

Cleaning the fine filter

- Unpressurize the appliance.
- Unscrew the fine filter from the pump head.
- Remove the fine filter and the filter insert.
- Clean the filter with clean water or compressed air.
- Reinstall in reverse sequence.

Clean the fuel sieve

- Knock the dirt off of the fuel sieve. Do not let the fuel enter the environment.

Clean sieve in the water shortage safe guard

- Unpressurize the appliance.
- Remove the fastening clamp and pull out the hose (soft damping system) of the lack of water fuse.
- Take out sieve.

Note: If necessary turn in screw M8 appr. 0.2 in/5 mm inwards and therewith pull out sieve.

- Clean sieve in water.
- Push sieve inwards.
- Slide the hose adapter all the way into the lack of water fuse and secure it with a fastening clamp.

Clean filter at the detergent suck hose

- Take out detergent suck supports.
- Clean filter in water and reinstall.

Oil change

- Ready a catch bin for appr. 0.26 gal/1 Liter oil.
- Loosen release screw.

Dispose of old oil ecologically or turn in at a gathering point.

- Tighten release screw.
- Fill oil slowly up to the MAX marking.

Note: Air pockets must be able to leak out.

For oil type refer to technical specifications.

Troubleshooting

⚠ **DANGER**

Risk of injury by inadvertent start-up of appliance and electric shock. Prior to all work on the appliance, switch off the appliance and pull the power plug.

Indicator lamp "Ready for use" turns off

- No line voltage, see "Appliance is not running".

Fuel indicator lamp glows

- Fuel tank empty.
- Refill fuel.

Indicator lamp for detergent glows

- Detergent tank is empty.
- Refill detergent.

Appliance is not running

- No power
- Check power connection/conduit.

Device is not building up pressure

- Nozzle is set to "CHEM"
- Set nozzle to "High pressure".
- Air within the system

Vent pump:

- Set dosing value for detergent to "0".
- With open hand spray gun turn device on and off multiple times with the device switch.

Note: By dismantling the high pressure hose from the high pressure connection the venting process is accelerated.

- If detergent tank is empty, refill.
- Check connections and conduits.
- Sieve in the water connection is dirty
- Clean sieve.
- Clean the fine filter; replace it, if necessary.
- Amount of water supply is too low.
- Check water supply level (refer to technical data).

Device leaks, water drips from the bottom of the device

- Pump leaky

Note: 3 drops/minute are allowed.

- With stronger leak, have device checked by customer service.

Device turns on and off while hand spray gun is closed

- Leak in the high pressure system
- Check high pressure system and connections for tightness.

Device is not sucking in detergent

- Nozzle is set to "High pressure"
- Set nozzle to "CHEM".
- Filter in the detergent suck hose dirty
- Clean filter.
- Backflow valve stuck
- Remove the detergent hose and loosen the backflow valve using a blunt object.

Burner does not start

- Fuel tank empty.
- Refill fuel.
- Water shortage
- Check water supply, check connections.
- Clean sieve in the water shortage safe guard.
- Fuel filter dirty
- Change fuel filter.
- No ignition spark
- If device is in use and no ignition spark can be seen through the viewing glass, have device checked by customer service.

Set temperature is not achieved while using hot water

- Sooty heating spiral
- Have device de-sooted by customer service.

Customer Service

If malfunction can not be fixed, the device must be checked by customer service.

Warranty

The warranty terms published by the relevant sales company are applicable in each country. We will repair potential failures of your appliance within the warranty period free of charge, provided that such failure is caused by faulty material or defects in manufacturing. In the event of a warranty claim please contact your dealer or the nearest authorized Customer Service centre. Please submit the proof of purchase.

Accessories and Spare Parts

Note: When connecting the appliance to a chimney or if the device cannot be accessed visually, we recommend the installation of a flame monitor (option).

Only use original accessories and spare parts, they ensure the safe and trouble-free operation of the device. For information about accessories and spare parts, please visit www.kaercher.com.

Technical specifications

		HDS 2.3/12 C Ed
Main Supply		
Voltage	V	110-120
Current type	Hz	1~ 60
Connected load	hp (kW)	2.8 (2.1)
Protection (slow)	A	20
Type of protection	--	IPX5
Protective class	--	I
Water connection		
Max. feed temperature	°F (°C)	86 (30)
Min. feed volume	gpm (l/min)	3.1 (11.7)
Suck height from open container (68 °F/20 °C)	ft (m)	1.6 (0.5)
Max. feed pressure	psi (MPa)	145 (1)
Performance data		
Water flow rate	gpm (l/min)	2.3 (8.8)
Operating pressure of water (using standard nozzle)	psi (MPa)	1100 (7.6)
Max. excess operating pressure (safety valve)	psi (MPa)	2150 (14.8)
Max. operating temperature of hot water	°F (°C)	190 (88)
Detergent suck in	gpm (l/min)	0-0.1 (0-0.4)
Burner performance	hp (BTU/h)	42 (107,000)
Maximum consumption of heating oil	kg/h (gph)	3.1 (1.06)
Max. recoil force of trigger gun	N	16
Size of standard nozzle	--	050
Values determined as per EN 60335-2-79		
Noise emission		
Sound pressure level L_{pA}	dB(A)	74
Uncertainty K_{pA}	dB(A)	3
Sound power level L_{WA} + Uncertainty K_{WA}	dB(A)	92
Hand-arm vibration value		
Hand spray gun	m/s ²	1.3
Spray lance	m/s ²	2.4
Uncertainty K	m/s ²	0.3
Fuel		
Fuel	--	Fuel oil EL or Diesel
Amount of oil	gal (l)	0.08 (0.3)
Oil grade	--	0W40
Dimensions and weights		
Length x width x height	in (mm)	41.7 x 25.6 x 36.2 (1060 x 650 x 920)
Typical operating weight	lbs (kg)	190 (86.2)
Fuel tank	gal (l)	4.1 (15.5)
Detergent Tank	gal (l)	4.1 (15.5)

CONSIGNES DE SÉCURITÉ IMPORTANTES

⚠ **AVERTISSEMENT**

En utilisant ce produit, toujours observer une certaine prudence élémentaire, incluant notamment :

- 1 Lire toutes les instructions de service avant d'utiliser l'appareil.
- 2 En cas d'utilisation incorrecte, les jets haute pression peuvent être dangereux. Ne jamais diriger les jets de vapeur en direction d'individus, d'animaux, de dispositifs électriques ou de l'appareil lui-même.
- 3 Afin de minimiser les risques de blessure, ne jamais laisser l'appareil sans surveillance lorsque celui-ci est utilisé à proximité d'enfants.
- 4 Il est impératif de savoir arrêter et mettre l'appareil hors pression rapidement. Une connaissance approfondie des commandes est nécessaire.
- 5 Rester attentif – se concentrer sur la tâche en cours.
- 6 Le port de lunettes de protection est obligatoire.
- 7 N'utiliser en aucun cas d'acides, de solutions alcalines, de solvants ou de produits inflammables dans cet appareil. Ces produits peuvent être à l'origine de blessures graves ou d'endommagement irréversible de l'appareil.
- 8 L'utilisateur ne doit jamais faire usage de l'appareil lorsqu'il est fatigué ou sous l'emprise d'alcool ou de drogues.
- 9 Ne jamais passer ou monter sur des supports instables. Toujours rester stable et équilibré.
- 10 Afin de réduire le risque d'électrocution, garder toutes les connexions au sec et ne pas les laisser à terre. Ne pas toucher la fiche avec les mains mouillées.
- 11 Le dispositif de sécurité de la poignée-pistolet permet d'éviter tout actionnement accidentel de la gâchette. Ce dispositif de sécurité NE verrouille PAS la gâchette en position marche (ON).
- 12 Veiller à ce qu'aucun individu ne se trouve dans la zone de travail.
- 13 Fermer le couvercle avant d'utiliser la machine.
- 14 Cet appareil est prévu pour un usage commercial.
- 15 Respecter les consignes d'entretien figurant dans le manuel.
- 16 Cette machine a été conçue pour une utilisation avec des produits chimiques utilisés pour le nettoyage, fournis ou recommandés par le fabricant. L'utilisation d'autres produits chimiques pour le nettoyage peut influencer sur le fonctionnement de la machine et annuler la garantie.
- 17 Ce produit est fourni avec un disjoncteur différentiel monté dans la fiche du cordon d'alimentation. Si le remplacement de la fiche ou du cordon d'alimentation s'avère nécessaire, n'utiliser que des pièces de rechange identiques.
- 18 Ne pas utiliser que des rallonges.
 - Risque d'injection : le produit peut provoquer de graves blessures en cas de pénétration dans la peau. Ne pas diriger le canon vers quelqu'un ou vers une partie du corps. En cas de pénétration, consulter immédiatement un médecin.
 - Ce système peut produire 1100 psi/ 7.6 MPa.
Afin d'éviter une rupture et des blessures, ne pas utiliser cette pompe avec des composants ayant une puissance nominale inférieure à une pression de service de 1100 psi/7.6 MPa (comprend des pistolets pulvérisateurs, des tuyaux et des raccords de tuyaux).
 - Avant d'effectuer l'entretien, le nettoyage ou le retrait de toute pièce, couper le courant et réduire la pression.
 - Ne pas pulvériser sur des appareils ou des fils électriques.
 - Haute pression. Maintenir sans tuyères.

- Si le branchement à un système d'eau potable est effectué, le système doit être protégé contre un retour de courant.

Responsabilité du propriétaire/de l'utilisateur

- Avant d'utiliser ce nettoyeur pression, le propriétaire et/ou l'utilisateur doit impérativement avoir pris connaissance des consignes d'utilisation et mises en garde du fabricant.
- Il est nécessaire d'insister sur les avertissements et de les comprendre.
- Si l'utilisateur ne parle pas couramment l'anglais, l'acheteur/le propriétaire doit lire les consignes et mises en garde du fabricant avec l'utilisateur dans la langue maternelle de ce dernier et s'assurer qu'il en comprend bien le contenu.
- Le propriétaire et/ou l'utilisateur doit se familiariser avec les consignes du fabricant et les conserver afin de pouvoir s'y référer ultérieurement.

INSTRUCTIONS DE MISE À LA TERRE

Ce produit doit être mis à la terre. En cas de mauvais fonctionnement ou de panne, la mise à la terre établit un chemin de moindre résistance pour le courant électrique afin de réduire le risque de décharge électrique. Ce produit est équipé d'un cordon doté d'un conducteur de mise à la terre de l'équipement et d'une prise de mise à la terre. La prise doit être branchée dans une prise appropriée qui est correctement installée et mise à la terre en conformité avec les codes et ordonnances locaux.

⚠ DANGER

Un conducteur de mise à la terre d'équipement incorrectement branché peut entraîner un risque d'électrocution. Vérifier avec un électricien ou un technicien d'entretien qualifié en cas de doute sur la mise à terre correcte de la prise. Ne pas modifier la fiche fournie avec le produit - si elle ne peut

pas être branchée, faire installer une prise appropriée par un électricien qualifié. Ne pas utiliser n'importe quel type d'adaptateur avec ce produit.

PROTECTION PAR DISJONCTEUR DIFFÉRENTIEL

Ce produit est fourni avec un disjoncteur différentiel intégré dans la fiche de cordon d'alimentation. Ce dispositif fournit une protection supplémentaire contre les risques de décharges électriques. En cas de coupure de courant, le disjoncteur différentiel referme automatiquement le circuit lorsque le courant est rétabli. Selon le modèle de disjoncteur différentiel, il peut s'avérer nécessaire d'actionner manuellement le bouton de réinitialisation pour rétablir l'alimentation du circuit de charge. Utiliser des pièces de rechange identiques en cas de remplacement du cordon ou de la fiche.

ALIMENTATION EN EAU

△ ATTENTION

Lors de la connexion de l'entrée d'eau à la canalisation d'alimentation en eau, les réglementations locales de votre compagnie d'eau doivent être observées. Dans certaines zones, l'appareil ne doit pas être connecté directement à l'alimentation en eau potable publique. Il s'agit de s'assurer qu'il n'y a pas de retour de produits chimiques dans l'alimentation en eau. Une connexion directe par l'intermédiaire d'un réservoir de réception ou d'un disconnecteur hydraulique par exemple est autorisée.

D'éventuelles impuretés dans l'eau d'alimentation endommagent l'appareil. Pour prévenir ce risque, nous recommandons d'installer un filtre à eau.

- Le tuyau d'arrosage doit avoir un diamètre minimum de 3/4 pouces.
- Le débit de l'alimentation en eau ne doit pas être inférieur à 3.1 GPM (gallons par minute).
- Pour calculer le débit, faire couler l'eau pendant une minute dans un récipient vide d'une contenance de 5 gallons.
- La température de l'eau d'alimentation ne doit pas excéder 86 °F/30 °C.
- Ne jamais aspirer d'eau contaminée par des solvants, par exemple des diluants pour peinture, de l'essence, de l'huile, etc..
- Toujours utiliser une source d'eau propre afin d'éviter toute infiltration de débris dans l'appareil. Utiliser un filtre à eau supplémentaire.

CONSERVER CES INSTRUCTIONS!



Lire ce manuel d'utilisation original avant la première utilisation de votre appareil, le respecter et le conserver pour une utilisation

ultérieure ou pour le futur propriétaire.

- Avant la première mise en service, vous devez impérativement avoir lu les consignes de sécurité N° 5.951-949.0 !
- Contactez immédiatement le revendeur en cas d'avarie de transport.
- Vérifier le contenu de l'emballage à l'ouverture. Étendue de livraison cf. figure 1.
- À partir d'une altitude de fonctionnement d'environ 800 m au-dessus du niveau de la mer, veuillez contacter votre revendeur pour adapter le réglage du brûleur à l'altitude et à la quantité réduite d'oxygène.

Table des matières

Protection de l'environnement	FR	1
Niveaux de danger	FR	1
Aperçu général	FR	1
Symboles sur l'appareil	FR	2
Utilisation conforme	FR	2
Consignes de sécurité	FR	2
Dispositifs de sécurité	FR	3
Mise en service	FR	3
DISJONCTEUR DIFFERENTIEL	FR	4
Utilisation	FR	4
Entreposage	FR	5
Transport	FR	5
Entretien et maintenance	FR	6
Assistance en cas de panne	FR	6
Garantie	FR	7
Accessoires et pièces de rechange	FR	7
Caractéristiques techniques	FR	8

Protection de l'environnement



Les matériaux constitutifs de l'emballage sont recyclables. Ne pas jeter les emballages dans les ordures ménagères, mais les remettre à un système de recyclage.



Les appareils usés contiennent des matériaux précieux recyclables lesquels doivent être apportés à un système de recyclage. Il est interdit de jeter les batteries, l'huile et les substances similaires dans l'environnement. Pour cette raison, utiliser des systèmes de collecte adéquats afin d'éliminer les appareils hors d'usage.

Les appareils électriques et électroniques renferment souvent des composants qui peuvent représenter un danger potentiel pour l'intégrité physique et l'environnement s'ils sont mal utilisés ou éliminés. Ces composants sont pourtant nécessaires au bon fonctionnement de l'appareil. Les appareils qui présentent ce symbole ne doivent pas être jetés avec les déchets ménagers.

Ne jetez pas l'huile moteur, le fuel, le diesel ou l'essence dans la nature. Protéger le sol et évacuer l'huile usée de façon favorable à l'environnement.

Instructions relatives aux ingrédients (REACH)

Les informations actuelles relatives aux ingrédients se trouvent sous :

www.kaercher.com/REACH

Niveaux de danger

⚠ DANGER

Signale la présence d'un danger imminent entraînant de graves blessures corporelles et pouvant avoir une issue mortelle.

⚠ AVERTISSEMENT

Signale la présence d'une situation éventuellement dangereuse pouvant entraîner de graves blessures corporelles et même avoir une issue mortelle.

⚠ PRÉCAUTION

Remarque relative à une situation potentiellement dangereuse pouvant entraîner des blessures légères.

ATTENTION

Remarque relative à une situation éventuellement dangereuse pouvant entraîner des dommages matériels.

Aperçu général

Éléments de l'appareil

Figure 1

- 1 Dispositif de fixation de la lance
- 2 Manomètre
- 3 Évidement pour le flexible d'aspiration de détergent
- 4 Poignée encastrée (des deux côtés)
- 5 Arrivée d'eau avec tamis
- 6 Adaptateur de raccord d'alimentation en eau
- 7 Raccordement haute pression EASY!Lock
- 8 Flexible haute pression EASY!Lock
- 9 Lance EASY!Lock
- 10 Marquage de la buse
- 11 Buse triple EASY!Lock
- 12 Orifice de remplissage pour détergent
- 13 Roulettes pivotantes et frein de stationnement
- 14 Tamis de combustible
- 15 Manette de sécurité
- 16 Alimentation électrique
- 17 Levier de départ
- 18 Trousse à outils
- 19 Cran de sécurité de la poignée-pistolet
- 20 Pistolet de pulvérisation à main EASY!Force
- 21 Orifice de remplissage pour combustible
- 22 Vanne de dosage du détergent
- 23 Pupitre de commande
- 24 Support pour la poignée pistolet
- 25 Cavité de marche
- 26 Poignée
- 27 Plaque signalétique
- 28 Fermeture du capot
- 29 Compartiment de rangement pour accessoires
- 30 Brûleur
- 31 Support pour la lance
- 32 Capot
- 33 Soupape anti-retour de l'aspiration de détergent
- 34 Réservoir d'huile
- 35 Bouchon de vidange d'huile
- 36 Flexible d'aspiration du détergent avec filtre
- 37 Filtre de combustible
- 38 Agrafe de fixation
- 39 Flexible (système d'amortissage souple) de la sécurité contre le manque d'eau
- 40 Dispositif de sécurité en cas de manque d'eau

- 41 Le tamis du dispositif de sécurité en cas de manque d'eau
- 42 Filtre fin (eau)

Zone de commande

Figure 2

- A Interrupteur principal
- 0/OFF = Arrêt
- 1 Mode de fonctionnement : Fonctionnement avec de l'eau froide
- 2 Mode de fonctionnement : Fonctionnement avec de l'eau chaude (e = niveau Eco, eau chaude max. 140 °F/60 °C)
- 3 Voyant de contrôle Détergent
- 4 Témoin de contrôle d'état de service
- 5 Témoin de contrôle Combustible

Repérage de couleur

- Les éléments de commande pour le processus de nettoyage sont jaunes.
- Les éléments de commande pour la maintenance et l'entretien sont en gris clair.

Symboles sur l'appareil



Une utilisation incorrecte des jets haute pression peut présenter des dangers. Le jet ne doit pas être dirigé sur des personnes, animaux, installations électriques actives ni sur l'appareil lui-même.



Danger lié à la tension électrique ! Seul les électriciens spécialisés ou le personnel autorisé sont habilités à réaliser des travaux sur des composants de l'appareil.



Risque de brûlure provoqué par les pièces chaudes de l'installation!



Danger d'intoxication ! Ne pas inspirer les gaz d'échappement.

Conformément à la réglementation en vigueur, l'appareil ne doit pas être exploité sans système de séparation sur le réseau d'eau potable. S'assurer que le raccord d'eau auquel le nettoyeur haute pression est relié pour son exploitation est équipé d'un système de séparation conforme à la norme EN 12729 type BA. L'eau qui s'est écoulée à travers un séparateur système est classifiée comme non potable.

⚠ PRÉCAUTION

Toujours connecter le séparateur de système à l'alimentation en eau, et jamais directement à l'appareil.



Utilisation conforme

Nettoyage de : machines, véhicules, bâtiments, outils, façades, terrasses, appareils de jardinage, etc.

⚠ DANGER

Risque de blessure ! En cas d'utilisation dans l'enceinte d'une station service ou dans d'autres zones à risque, respecter les consignes de sécurité correspondantes.

Ne pas évacuer les eaux usées contenant de l'huile minérale dans la terre, les dispositifs pour eaux usées ou les canalisations. Dès lors, effectuer le nettoyage du moteur ou du bas de caisse uniquement aux postes de lavage appropriés et équipés d'un séparateur d'huile.

Exigences à la qualité d'eau :

ATTENTION

Utiliser uniquement de l'eau propre comme fluide haute pression. Les salissures entraînent l'usure prématurée ou des dépôts dans l'appareil et les accessoires. Si de l'eau de recyclage est utilisée, les valeurs limites suivantes ne doivent pas être dépassées.

Valeur de pH	6,5...9,5
conductivité électrique *	Conductivité de l'eau du robinet + 1200 µS/cm
substances qui se déposent **	< 0,5 mg/l
substances qui peuvent être filtrées ***	< 50 mg/l
Hydrocarbures	< 20 mg/l
Chlorure	< 300 mg/l
Sulfate	< 240 mg/l
calcium	< 200 mg/l
Dureté globale	< 28 °dH < 50 °TH < 500 ppm (mg CaCO ₃ /l)
Fer	< 0,5 mg/l
Manganèse	< 0,05 mg/l
Cuivre	< 2 mg/l
Chlore actif	< 0,3 mg/l
exempt de mauvaises odeurs	
* Total maximal 2000 µS/cm	
** Volume d'essai 1 l, temps de dépose 30 min	
*** pas de substance abrasive	

Consignes de sécurité

PROPOSITION 65

AVERTISSEMENT

L'échappement de ce brûleur contient des produits chimiques connus de l'Etat de Californie qui provoquent le cancer, des malformations congénitales et d'autres dommages de reproduction.

- Respecter les dispositions légales nationales respectives pour les jets de liquide.
- Respecter les dispositions légales nationales respectives pour la prévention des accidents. Les jets de liquides doivent être contrôlés régulièrement et le résultat du contrôle consigné par écrit.

- Le dispositif de chauffage de l'appareil est une installation de combustion. Les installations d'allumage doivent être contrôlées régulièrement en concordance avec les dispositions légales nationales respectives.
- Il est interdit d'effectuer des modifications sur l'appareil/les accessoires.

Dispositifs de sécurité

Les dispositifs de sécurité ont pour but de protéger l'utilisateur. Par conséquent, ils ne doivent en aucun cas être désactivés ou transformés.

Pressostat

- Lorsque le pistolet est fermé, le pressostat désactive l'appareil. Il se réactive lorsque le pistolet est de nouveau ouvert.

Soupape de sûreté

- La soupape de sûreté s'ouvre lorsque le clapet de décharge ou le pressostat est défectueux.

La soupape de sûreté est réglée et plombée d'usine. Seul le service après-vente est autorisé à effectuer le réglage.

Dispositif de sécurité en cas de manque d'eau

- Le dispositif de sécurité en cas de manque d'eau permet d'éviter que le brûleur se mette en marche lorsque la quantité d'eau est insuffisante.
- Un tamis protège le dispositif de sécurité contre les impuretés. Il doit être nettoyé régulièrement.

Limiteur de la température de tuyère

- Le limiteur de la température de tuyère arrête l'appareil en attendant une température très haute de tuyère.

Mise en service

⚠ AVERTISSEMENT

Risque de blessure ! L'appareil, les accessoires, les conduites et les raccords doivent être dans un parfait état. Ne pas utiliser l'appareil si son état n'est pas irréprochable.

- ➔ Serrer le frein de stationnement.

Monter la poignée

Figure 3

Couple de serrage des vis : 6,5-7,0 Nm

Monter la trousse à outils

Figure 4

- ➔ Suspending la trousse à outils à l'ergot supérieur de l'appareil.
- ➔ Basculer la trousse à outils vers le bas et l'enclencher.
- ➔ Fixer la trousse à outils à l'aide de 2 vis (couple de serrage : 6,5-7,0 Nm).

Monter pistolet pulvérisateur à main, lance, buse et flexible haute pression

Remarque : Le système EASY!Lock relie les composants au moyen d'un filetage rapide et fiable avec une seule rotation.

Figure 5

- ➔ Relier le tube d'acier au pistolet à main et serrer à la main (EASY!Lock).

- ➔ Monter la buse sur la lance (marquage sur la bague de butée en haut) et serrer à la main (EASY!Lock).
- ➔ Relier le flexible haute pression au pistolet à main et au flexible haute pression de l'appareil et serrer à la main (EASY!Lock).

Remplissage du combustible

⚠ DANGER

Risque d'explosion ! N'utiliser que du gazole ou du fuel léger. Il est interdit d'utiliser des combustibles non appropriés, tels que l'essence.

ATTENTION

Risque d'endommagement ! Ne jamais utiliser l'appareil lorsque le réservoir à combustible est vide sous peine d'endommager la pompe à combustible.

- ➔ Remplissage du combustible.
- ➔ Fermer le couvercle du réservoir.
- ➔ Essuyer le combustible ayant éventuellement débordé.

Faire le plein de détergent

⚠ DANGER

Risque de blessure !

- Utiliser uniquement les produits Kärcher.
- N'utiliser en aucun cas de solvant (essence, acétone, diluant, etc.).
- Eviter tout contact avec les yeux ou la peau.
- Respecter les consignes de sécurité et d'utilisation fournies par le fabricant du détergent.

Kärcher propose un assortiment individualisé de produits d'entretien et de nettoyage.

Votre revendeur se fera un plaisir de vous conseiller.

- ➔ Faire le plein de détergent.

Arrivée d'eau

Pour les valeurs de raccordement, se reporter à la section Caractéristiques techniques.

- ➔ Raccorder le flexible d'alimentation (longueur minimale de 24.6 ft/7.5 m, diamètre minimal de 3/4") à l'aide de l'adaptateur de raccord d'alimentation en eau au raccord d'eau de l'appareil et à l'arrivée d'eau (robinet d'eau, p.ex.).

Remarque : Le flexible d'alimentation n'est pas inclus dans l'étendue de livraison.

Aspirer l'eau encore présente dans les réservoirs

- ➔ Raccorder le tuyau d'aspiration (diamètre min. de 3/4") et le filtre (accessoire) à l'arrivée d'eau.
- Hauteur d'aspiration max. : 1.6 ft (0.5 m)
- Avant que la pompe n'aspire l'eau, il convient de :
- ➔ Fermer la vanne de dosage pour détergent.

⚠ DANGER

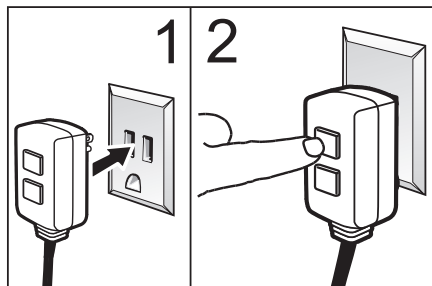
Risque de blessure et d'endommagement ! Ne jamais aspirer de l'eau depuis un réservoir d'eau potable. Ne jamais aspirer de liquides contenant des solvants, tels que diluant pour peinture, essence, huile, ou eau non filtrée. Les joints de l'appareil ne sont pas résistants aux solvants. Le brouillard de pulvérisation des solvants est extrêmement inflammable, explosif et toxique.

Raccordement électrique

- Pour les données de raccordement, se référer à la section Caractéristiques techniques et à la plaque signalétique.
- Le raccordement électrique doit être effectué par un électricien et doit correspondre à la norme NEC et les codes locaux.

DISJONCTEUR DIFFÉRENTIEL

- **ETAPE 1** : Brancher le disjoncteur différentiel dans une prise alimentée.
 - **ETAPE 2** : Appuyer d'abord sur « TEST », puis sur « RESET » pour assurer le branchement correct au secteur.
- Remarque : L'apparence effective du disjoncteur différentiel peut différer de l'illustration.



Utilisation

⚠ DANGER

Risque d'explosion ! Ne pas pulvériser de liquides inflammables.

⚠ DANGER

Risque de blessure ! Ne jamais utiliser l'appareil si la lance n'est pas montée. Contrôler avant chaque utilisation la bonne fixation de la lance. Le raccord vissé de la lance doit être serré à la main.

⚠ DANGER

Risque de blessure ! Pendant le travail, retenir la poignée pistolet et la lance des deux mains.

⚠ DANGER

Risque de blessure ! Lors du fonctionnement, ne pas coincer le levier de départ et le levier de sécurité.

⚠ DANGER

Risque de blessure ! En cas de levier de sécurité défectueux, se rendre au service après-vente.

ATTENTION

Risque d'endommagement ! Ne jamais utiliser l'appareil lorsque le réservoir à combustible est vide sous peine d'endommager la pompe à combustible.

Ouvrir/fermer le pistolet de pulvérisation à main

- Ouvrir le pistolet de pulvérisation à main : Actionner le levier de sécurité et le levier de départ.
- Fermer le pistolet de pulvérisation à main. Relâcher le levier de sécurité et le levier de départ.

Remplacer la buse

⚠ DANGER

Risque de blessure ! Mettre l'appareil hors service et actionner la poignée-pistolet jusqu'à ce que l'appareil soit hors pression avant de procéder au remplacement de la buse.

- Sécuriser le pistolet de pulvérisation à main en poussant le loquet de sécurité vers l'avant.
- Remplacer la buse.

Mettre l'appareil en marche

- Mettre l'interrupteur principal sur le mode de fonctionnement souhaité.
Le témoin de contrôle d'état de service s'allume. L'appareil se met en marche pendant une courte durée puis s'arrête dès que la pression de service est atteinte.
- Enlever la sécurité du pistolet de pulvérisation à main en poussant le loquet de sécurité vers l'arrière.

Dès que la poignée-pistolet est actionnée, l'appareil se remet en marche.

Remarque : S'il ne sort pas d'eau de la buse haute pression, purger l'air de la pompe. Se reporter à la section "Aide en cas de pannes - L'appareil n'établit aucune pression".

Régler la température de nettoyage

- Régler l'interrupteur principal sur la température souhaitée.

Injecteur triple

- Fermer la poignée-pistolet.
- Tourner le logement de la buse jusqu'à ce que le symbole désiré corresponde avec le marquage :

	Jet plat à haute pression (25°) pour des salissures sur des grandes surfaces
	Jet bâton à haute pression (0°) pour des salissures très tenaces
	Jet plat à basse pression (CHEM) pour le service avec détergent ou nettoyer avec une pression basse

Sélectionner jet bâton ou jet plat, commutant sans toucher:

- Fermer le pistolet de projection.
- Tourner le tube en acier orienté à env. 45° vers le bas vers la droite ou vers la gauche.

Fonctionnement avec détergent

- Respecter l'environnement en utilisant le détergent avec parcimonie.
- Le détergent doit être adapté à la surface à nettoyer.
- Placer l'injecteur sur la position "CHEM".
- A l'aide de la vanne de dosage du détergent, régler la concentration du détergent conformément aux prescriptions du fabricant.

Remarque : Valeurs indicatives sur le pupitre de commande pour la pression de service maximale.

Remarque : Au cas où du détergent serait aspiré à partir d'un réservoir externe, guider le flexible d'aspiration du détergent vers l'extérieur, par l'évidement.

Nettoyage

- Adapter la température et la concentration de détergent en fonction de la surface à nettoyer.

Remarque : Toujours diriger le jet haute pression sur l'objet tout d'abord à bonne distance afin d'éviter tout dommage provoqué par une pression trop élevée.

Méthode de nettoyage conseillée

- Dissoudre la saleté :
- Pulvériser le détergent avec parcimonie puis le laisser agir entre 1 et 5 minutes sans toutefois le laisser sécher.
- Eliminer la saleté :
- Retirer les saletés dissoutes au moyen du jet haute pression.

Utilisation avec de l'eau froide

Elimination de salissures légères et rinçage à l'eau claire, ex. : appareils de jardinage, terrasse, outils, etc.

Niveau Eco

L'appareil fonctionne dans la plage de température la plus économique (140 °F/60 °C maxi).

Utilisation avec de l'eau chaude

⚠ DANGER

Risque de brûlure !

- Régler l'interrupteur principal sur la température souhaitée.

Nous recommandons les températures de nettoyage suivantes :

- Salissures légères
86 °F/30 °C-122 °F/50 °C
- Salissures albuminées, par ex. dans l'industrie alimentaire
max. 140 °F/60 °C
- Nettoyage de véhicules, de machines
140 °F/60 °C-194 °F/90 °C

Interrompre le fonctionnement

- Sécuriser le pistolet de pulvérisation à main en poussant le loquet de sécurité vers l'avant.

Après utilisation avec un détergent

- Positionner la vanne de dosage du détergent sur "0".
- Mettre l'interrupteur principal sur le niveau (fonctionnement avec de l'eau froide).
- Rincer l'appareil à l'eau claire pendant 1 minute au minimum en gardant la poignée-pistolet ouverte.

Mise hors service de l'appareil

⚠ DANGER

Risque de brûlure provoquée par l'eau chaude ! Après l'utilisation de l'appareil avec de l'eau chaude, ce dernier doit être actionné, pistolet ouvert, au minimum deux minutes avec de l'eau froide afin de le faire refroidir.

- Couper l'alimentation en eau.
- Ouvrir le pistolet manuel.
- Activer la pompe à l'aide de l'interrupteur principal et laisser tourner 5 à 10 secondes.
- Fermer la poignée-pistolet.
- Positionner l'interrupteur sur '0/OFF'.
- En veillant à avoir les mains bien sèches, débrancher la fiche secteur.
- Déconnecter l'arrivée d'eau.
- Actionner la poignée-pistolet jusqu'à ce que l'appareil soit hors pression.
- Sécuriser le pistolet de pulvérisation à main en poussant le loquet de sécurité vers l'avant.

Ranger l'appareil

- Enclencher la lance dans le dispositif de fixation situé sur le capot de l'appareil.
- Enrouler le flexible haute pression et le câble électrique et les placer dans les dispositifs de fixation prévus à cet effet.

Remarque : Ne pas plier le flexible haute pression ni le câble électrique.

Protection antigel

ATTENTION

Risque d'endommagement ! Le gel peut endommager l'appareil si l'eau n'a pas été intégralement vidée.

- Stocker l'appareil dans un lieu à l'abri du gel.
- Si l'appareil est relié à une cheminée, respecter les instructions suivantes :

ATTENTION

Risque d'endommagement provoqué par une infiltration d'air froid via la cheminée.

- Si la température extérieure descend en dessous de 32 °F/0 °C, débrancher l'appareil de la cheminée.

S'il n'est pas possible de le conserver dans un endroit protégé du gel, remiser l'appareil.

Remisage

En cas d'interruption de longue durée ou s'il n'est pas possible de conserver l'appareil dans un lieu protégé du gel :

- Vider le réservoir de détergent.
- Purger l'eau.
- Rincer l'appareil au moyen de produit antigel.

Purger l'eau

- Dévisser le tuyau d'alimentation en eau et le flexible haute pression.
- Dévisser la conduite d'alimentation située au fond de la chaudière et faire fonctionner le serpentin chauffant à vide.
- Faire tourner l'appareil au max. 1 minute jusqu'à ce que la pompe et les conduites soient entièrement vidées.

Rincer l'appareil au moyen de produit antigel

Remarque : Respecter les consignes d'utilisation du fabricant du produit antigel.

- Utiliser un produit antigel disponible dans le commerce.
- Mettre l'appareil sous tension (sans brûleur) jusqu'à ce que celui-ci soit intégralement rincé.

Cette opération permet en outre de bénéficier d'une certaine protection anticorrosion.

Entreposage

⚠ PRÉCAUTION

Risque de blessure et d'endommagement ! Prendre en compte le poids de l'appareil à l'entreposage.

Transport

Figure 6

ATTENTION

Risque d'endommagement ! Lors du transbordement de l'appareil avec un chariot élévateur, respecter l'illustration.

ATTENTION

Protéger le levier de départ contre tout endommagement lors de son transport.

⚠ **PRÉCAUTION**

Risque de blessure et d'endommagement ! Respecter les poids de l'appareil lors du transport.

- Sécuriser l'appareil contre les glissements ou les basculements selon les directives en vigueur lors du transport dans des véhicules.

Entretien et maintenance

⚠ **DANGER**

Risque de blessure et de choc électrique par un démarrage inopiné de l'appareil. Avant d'effectuer des travaux sur l'appareil, couper l'interrupteur principal et débrancher la fiche secteur.

- Couper l'alimentation en eau.
- Ouvrir le pistolet manuel.
- Activer la pompe à l'aide de l'interrupteur principal et laisser tourner 5 à 10 secondes.
- Fermer la poignée-pistolet.
- Positionner l'interrupteur sur '0/OFF'.
- En veillant à avoir les mains bien sèches, débrancher la fiche secteur.
- Déconnecter l'arrivée d'eau.
- Actionner la poignée-pistolet jusqu'à ce que l'appareil soit hors pression.
- Sécuriser le pistolet de pulvérisation à main en poussant le loquet de sécurité vers l'avant.
- Laisser refroidir l'appareil.

Votre commerçant spécialisé Kärcher vous informe de l'exécution d'une inspection de sécurité régulière ou de la conclusion d'un contrat de maintenance.

Fréquence de maintenance

Hebdomadairement

- Nettoyer le tamis de l'arrivée d'eau.
- Nettoyer le filtre fin.
- Nettoyer le tamis de combustible.
- Vérifier le niveau d'huile.

ATTENTION

Risque d'endommagement ! Si l'huile prend une apparence laiteuse, contacter immédiatement le service après-vente de Kärcher.

Mensuellement

- Nettoyer le tamis du dispositif de sécurité en cas de manque d'eau.
- Nettoyer le filtre situé sur le tuyau d'aspiration de détergent.

Toutes les 500 heures de service, au moins une fois par an

- Remplacer l'huile.
- Faire effectuer la maintenance de l'appareil par le service après-vente.

Travaux de maintenance

Nettoyer le tamis de l'arrivée d'eau

- Déposer le tamis.
- Nettoyer le tamis dans l'eau puis le remettre en place.

Nettoyage du filtre fin

- Mettre l'appareil hors pression.
- Dévisser le filtre de précision sur la tête de la pompe.
- Démonter le filtre de précision et retirer la cartouche filtrante.

- Nettoyer la cartouche filtrante à l'eau propre ou à l'air comprimé.

- Remonter en suivant les étapes dans l'ordre inverse.

Nettoyage du le tamis de combustible

- Tapoter le tamis de combustible. Veiller à ce que le combustible ne s'infilte pas dans l'environnement.

Nettoyer le tamis du dispositif de sécurité en cas de manque d'eau

- Mettre l'appareil hors pression.
- Détacher l'agrafe de fixation et retirer le flexible (système d'amortissement souple) de la sécurité contre le manque d'eau
- Extraire le tamis.

Remarque : Le cas échéant, tourner la vis M8 d'environ 0.2 in/5 mm vers l'intérieur de manière à pouvoir retirer le tamis.

- Nettoyer le tamis dans l'eau.
- Replacer le tamis.
- Enfoncer complètement le nippel de flexible dans le système de sécurité contre le manque d'eau et le fixer avec une agrafe.

Nettoyer le filtre situé sur le tuyau d'aspiration de détergent

- Retirer les tubulures d'aspiration de détergent.
- Nettoyer le filtre dans l'eau puis le remettre en place.

Remplacer l'huile

- Préparer un récipient de récupération pouvant contenir environ 0.26 gal/1 litre d'huile.
- Desserrer la visse de vidange.

Éliminer l'huile usagée en respectant l'environnement ou l'apporter à un centre de collecte.

- Revisser la vis de vidange.
- Remplir doucement le réservoir d'huile jusqu'au repère MAX.

Remarque : Les bulles d'air doivent pouvoir s'échapper.
Pour les types d'huile et les quantités de remplissage, se reporter à la section Caractéristiques techniques.

Assistance en cas de panne

⚠ **DANGER**

Risque de blessure et de choc électrique par un démarrage inopiné de l'appareil. Avant d'effectuer des travaux sur l'appareil, couper l'interrupteur principal et débrancher la fiche secteur.

Le témoin de contrôle d'état de service s'éteint

- Absence de tension secteur, voir "L'appareil ne fonctionne pas".

Le témoin de contrôle Combustible s'allume

- Le réservoir de combustible est vide.
- Remplissage du combustible.

Témoin de contrôle du détergent s'allume

- Le réservoir de détergent est vide.
- Faire le plein de détergent.

L'appareil ne fonctionne pas

- Pas de tension secteur
- Contrôler le raccordement au réseau/le câble électrique.

L'appareil n'établit aucune pression

- L'injecteur est réglé à "CHEM"
 - Placer l'injecteur sur la position "Haute pression".
 - Présence d'air dans le système
- Purger la pompe :
- Positionner la vanne de dosage du détergent sur "0".
 - En gardant la poignée-pistolet ouverte, mettre plusieurs fois l'appareil hors et sous tension.

Remarque : En démontant le flexible haute pression du raccord haute pression, le processus de purge est accompli.

- Si le réservoir de détergent est vide, le remplir.
- Contrôler les raccords et les conduites.
- Le tamis de l'arrivée d'eau est encrassé
- Nettoyer le tamis.
- Nettoyer le filtre fin, le remplacer si nécessaire.
- Le débit de l'alimentation en eau est trop faible
- Contrôler le débit de l'alimentation en eau (voir la section Caractéristiques techniques).

L'appareil présente un fuit, de l'eau s'écoule de l'appareil par le bas

- La pompe fuit.

Remarque : Une fuite de 3 gouttes/minute est autorisée.

- En cas de fuite plus importante, faire vérifier l'appareil par le service après-vente.

Lorsque la poignée-pistolet est fermée, l'appareil ne cesse de se mettre sous et hors tension

- Présence d'une fuite dans le système haute pression
- Vérifier l'absence de fuite au niveau du système haute pression et des raccords.

L'appareil n'aspire pas de détergent

- L'injecteur est réglé à "Haute pression"
- Placer l'injecteur sur la position "CHEM".
- Le filtre du tuyau d'aspiration du détergent est encrassé
- Nettoyer le filtre.
- Le clapet anti-retour est collé
- Démontez le tuyau de détergent et dévissez le clapet anti-retour à l'aide d'un objet non contondant.

Le brûleur ne s'allume pas

- Le réservoir de combustible est vide.
- Remplissage du combustible.
- Manque d'eau
- Contrôler le raccord d'eau, contrôler les conduites d'alimentation
- Nettoyer le tamis du dispositif de sécurité en cas de manque d'eau.
- Le filtre à combustible est encrassé
- Remplacer le filtre à combustible.
- Absence d'étincelle d'allumage
- Si aucune étincelle d'allumage n'est visible à travers la vitre transparente lorsque l'appareil fonctionne, le faire contrôler par le service après-vente.

Lorsque l'appareil est utilisé avec de l'eau chaude, il n'atteint pas la température réglée

- Le serpentin de chauffage est encrassé
- Faire nettoyer l'appareil par le service après-vente.

Service après-vente

Si la panne ne peut être réparée, l'appareil doit être contrôlé par le service après-vente.

Garantie

Dans chaque pays, les conditions de garantie en vigueur sont celles publiées par notre société de distribution responsable. Les éventuelles pannes sur l'appareil sont réparées gratuitement dans le délai de validité de la garantie, dans la mesure où celles-ci relèvent d'un défaut matériel ou d'un vice de fabrication. En cas de recours en garantie, adressez-vous à votre revendeur ou au service après-vente agréé le plus proche munis de votre preuve d'achat.

Accessoires et pièces de rechange

Remarque : Lors du raccordement de l'appareil à une cheminée ou quand l'appareil n'est pas visible, nous recommandons le montage d'une surveillance de flamme (option).

N'utiliser que des accessoires et pièces de rechange d'origine, ils garantissent le bon fonctionnement de l'appareil.

Vous trouverez des informations relatives aux accessoires et pièces de rechange sur www.kaercher.com.

Caractéristiques techniques

		HDS 2.3/12 C Ed
Raccordement au secteur		
Tension	V	110-120
Type de courant	Hz	1~ 60
Puissance de raccordement	hp (kW)	2.8 (2.1)
Protection (à action retardée)	A	20
Type de protection	--	IPX5
Classe de protection	--	I
Arrivée d'eau		
Température d'alimentation (max.)	°F (°C)	86 (30)
Débit d'alimentation (min.)	gpm (l/min)	3.1 (11.7)
Hauteur d'aspiration à partir du réservoir ouvert (68 °F/20 °C)	ft (m)	1.6 (0.5)
Pression d'alimentation (max.)	psi (MPa)	145 (1)
Performances		
Débit d'eau	gpm (l/min)	2.3 (8.8)
Pression de service de l'eau (avec buse standard)	psi (MPa)	1100 (7.6)
Pression maximale de marche (clapet de sécurité)	psi (MPa)	2150 (14.8)
Température de service max de l'eau chaude	°F (°C)	190 (88)
Aspiration de détergent	gpm (l/min)	0-0.1 (0-0.4)
Puissance du brûleur	hp (BTU/h)	42 (107,000)
Consommation maximale de fuel:	kg/h (gph)	3.1 (1.06)
Force de réaction max. de la poignée-pistolet	N	16
Taille de la buse standard	--	050
Valeurs déterminées selon EN 60335-2-79		
Émission sonore		
Niveau de pression acoustique L_{pA}	dB(A)	74
Incertitude K_{pA}	dB(A)	3
Niveau de pression acoustique L_{WA} + incertitude K_{WA}	dB(A)	92
Valeur de vibrations bras-main		
Poignée-pistolet	m/s ²	1.3
Lance	m/s ²	2.4
Incertitude K	m/s ²	0.3
Carburants		
Combustible	--	Fuel EL ou diesel
Quantité d'huile	gal (l)	0.08 (0.3)
Types d'huile	--	0W40
Dimensions et poids		
Longueur x largeur x hauteur	in (mm)	41.7 x 25.6 x 36.2 (1060 x 650 x 920)
Poids de fonctionnement typique	lbs (kg)	190 (86.2)
Réservoir à combustible	gal (l)	4.1 (15.5)
Réservoir de détergent	gal (l)	4.1 (15.5)

INSTRUCCIONES IMPORTANTES DE SEGURIDAD

⚠ **ADVERTENCIA**

Al utilizar este producto, tome siempre las precauciones básicas, incluidas las siguientes:

- 1 Lea todas las instrucciones antes de usar el producto.
- 2 Los aparatos a alta presión pueden resultar peligrosos si se usan de forma incorrecta. No se debe dirigir el aparato a personas, animales, dispositivos eléctricos o la equipo mismo.
- 3 Para reducir el riesgo de lesiones, es preciso vigilar atentamente si se usa el producto cerca de niños.
- 4 Es necesario saber cómo parar rápidamente el producto y parar hemorragias. Estar familiarizado con los mandos.
- 5 Estar atento, prestar atención a lo que se está haciendo.
- 6 Utilizar gafas de seguridad.
- 7 No usar ácidos, alcalinos, disolventes, o cualquier material inflamable con este producto. Estos productos pueden causar heridas físicas al operario y daños irreparables a la máquina.
- 8 No ponga en funcionamiento el producto si está cansado o está bajo la influencia de alcohol o drogas.
- 9 No sobrecargar o colocar sobre un soporte inestable. Mantener el equilibrio en todo momento.
- 10 Para reducir el riesgo de electrocución, mantenga todas las conexiones secas y alejadas del suelo. No toque el enchufe con las manos mojadas.
- 11 El seguro del gatillo de la pistola evita que el gatillo salte de forma involuntaria. El dispositivo de seguridad NO bloquea el gatillo en la posición ON (encendido).
- 12 Mantenga la zona de trabajo libre de personas.
- 13 Cierre la cubierta antes de operar con la máquina.
- 14 Este aparato está diseñado para uso comercial.
- 15 Seguir las instrucciones de mantenimiento especificadas en el manual.
- 16 Esta máquina ha sido diseñada para su uso con los agentes químicos de limpieza provistos o recomendados por el fabricante. El uso de otros agentes químicos de limpieza puede afectar al funcionamiento de la máquina y extinguir la garantía.
- 17 Este producto se suministra con un interruptor de circuito de avería por puesta a tierra, que está montado en el enchufe del cable de potencia. Si es necesario reemplazar el enchufe o el cable, utilice sólo piezas de repuesto idénticas.
- 18 No se debe usar el cable de extensión para esta máquina.
 - Riesgo de inyección: el equipo puede causar graves lesiones si el spray penetra en la piel. No dirija la pistola hacia nadie ni a ninguna parte del cuerpo. En caso de penetración, busque ayuda médica de inmediato.
 - Este sistema puede rendir 1100 psi/ 7.6 MPa.

Para evitar roturas y lesiones no opere esta bomba con componentes clasificados por debajo de los 1100 psi/7.6 MPa de presión de trabajo (incluyendo, pero sin limitarse a, pistolas de spray, mangueras y conexiones de manguera).
 - Antes de usar, limpiar o quitar cualquier pieza, desconecte el fluido eléctrico y libere presión.
 - No pulverice sobre ningún aparato o cable eléctrico.
 - Alta presión. Manténgase lejos de la boquilla.
 - Si la conexión se hace con un sistema de agua potable, se debe proteger el sistema contra reflujos.

Responsabilidades del propietario/ usuario

- El propietario y/o el usuario deben comprender bien las instrucciones de servicio y advertencias del fabricante antes de empezar a utilizar este limpiador de alta presión.
- Debe prestarse especial atención y tener muy claras las advertencias.
- Si el operador no habla bien el español, el propietario/comprador debe responsabilizarse de leer y comentar las instrucciones y las advertencias en su lengua natal, y asegurarse de que entienda a la perfección su contenido.
- El propietario y/o el usuario deben leer y guardar como referencia para el futuro las instrucciones del fabricante.

INSTRUCCIONES DE PUESTA A TIERRA

Este producto se tiene que poner a tierra. Si funcionase mal o si se rompiese, la puesta a tierra proporcionaría una circuito menos resistente a la energía eléctrica para reducir el riesgo de electrochoque. Este producto está equipado con un cable que tiene un conductor a tierra y un enchufe a tierra para el equipo. El enchufe se tiene que enchufar a un tomacorriente adecuado, que esté correctamente instalado y puesto a tierra conforme a todas las normas y reglamentos locales.

⚠ PELIGRO

Si la conexión del conductor a tierra del equipo es incorrecta puede existir riesgo de electrochoque. En caso de duda, compruebe con ayuda de un electricista cualificado o del personal del servicio técnico que el tomacorriente está correctamente puesto a tierra. No modifique el enchufe proporcionado con el producto; si no encaja en el tomacorriente, pida a un electricista cualificado que le instale un tomacorriente adecuado. No utilice ningún tipo de adaptador con este producto.

PROTECCIÓN MEDIANTE INTERRUPTOR DE CIRCUITO DE AVERÍA POR PUESTA A TIERRA

Este producto se suministra con un interruptor de circuito de avería por puesta a tierra montado en el enchufe del cable de potencia. Este aparato proporciona una protección adicional contra el riesgo de electrochoque. Si la corriente se interrumpe en la línea, el interruptor de circuito de avería por puesta a tierra volverá a cerrar, automáticamente, el circuito a la carga una vez restablecida la corriente. En función del modelo de interruptor, puede que sea necesario tener que poner en funcionamiento el aparato manualmente mediante el botón de reinicio para restaurar la corriente del circuito de carga del interruptor de circuito de avería por puesta a tierra. Si es necesario reemplazar el enchufe o el cable, utilice piezas idénticas.

SUMINISTRO DE AGUA

△ ATENCIÓN

Al conectar la toma de agua a la red de suministro del agua, es obligatorio respetar la normativa local establecida por la compañía del agua. En algunas zonas, está prohibido conectar la unidad directamente a la red pública de suministro de agua potable. Esto es así para garantizar que no penetren sustancias químicas en la red de suministro del agua. Sí se permite efectuar la conexión directamente por ejemplo a través de un depósito receptor o un dispositivo antirretorno.

Si el agua de alimentación está sucia, la unidad sufrirá daños. Para evitar este riesgo, le recomendamos que monte un filtro de agua.

- La manguera del jardín debe tener al menos un diámetro de 3/4 pulgadas.
- El índice de flujo de agua no deben ser inferior a 3.1 GPM (galones por minuto).
- El índice de flujo se puede determinar si se deja correr el agua durante un minuto en un bidón de 5 galones.
- La temperatura de agua no debe exceder los 86°F/30°C.
- No usar la limpiadora de alta presión para agua contaminada con disolventes, por ejemplo para diluir pintura, gasolina, aceite etc.
- Evitar que entren escombros en la unidad, para ello use una fuente de agua limpia. Use un filtro adicional de agua.

CONSERVE ESTAS INSTRUCCIONES!



Antes del primer uso de su aparato, lea este manual original, actúe de acuerdo a sus indicaciones y guárdelo para un uso

posterior o para otro propietario posterior.

- ¡Antes de la primera puesta en marcha lea sin falta las instrucciones de uso y las instrucciones de seguridad n.º 5.951-949.0!
- En caso de daños de transporte informe inmediatamente al fabricante.
- Comprobar el contenido del paquete al desembalar. Consultar el contenido en la imagen 1.
- A partir de una altura de funcionamiento de aprox. 800 m sobre el nivel del mar, póngase en contacto con su distribuidor para ajustar el ajuste del quemador a la altura y a la cantidad de oxígeno reducida.

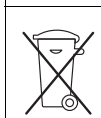
Índice de contenidos

Protección del medio ambiente	ES	1
Niveles de peligro	ES	1
Resumen	ES	1
Símbolos en el aparato	ES	2
Uso previsto	ES	2
Indicaciones de seguridad	ES	2
Dispositivos de seguridad	ES	3
Puesta en marcha	ES	3
Instrucciones del Interruptor de Circuito de Avería por Puesta a Tierra	ES	4
Manejo	ES	4
Almacenamiento	ES	5
Transporte	ES	6
Cuidados y mantenimiento	ES	6
Ayuda en caso de avería	ES	6
Garantía	ES	7
Accesorios y piezas de repuesto	ES	7
Datos técnicos	ES	8

Protección del medio ambiente



Los materiales empleados para el embalaje son reciclables y recuperables. No tire el embalaje a la basura doméstica y entréguelo en los puntos oficiales de recogida para su reciclaje o recuperación.



Los aparatos viejos contienen materiales valiosos reciclables que deberían ser entregados para su aprovechamiento posterior. Evite el contacto de baterías, aceites y materias semejantes con el medio ambiente. Por este motivo, entregue los aparatos usados en los puntos de recogida previstos para su reciclaje.

Los equipos eléctricos y electrónicos contienen a menudo componentes que pueden representar un peligro potencial para la salud de las personas y para el medio ambiente en caso de que se manipulen o se eliminen de forma errónea. Estos componentes son necesarios para el correcto funcionamiento del equipo. Los equipos marcados con este símbolo no pueden eliminarse con la basura doméstica.

Por favor, no deje que el aceite para motores, el aceite caliente y la gasolina dañen el medio ambiente. Evite que sustancias nocivas penetren en el suelo y elimine el aceite usado de forma que no dañe el medio ambiente.

Indicaciones sobre ingredientes (REACH)

Encontrará información actual sobre los ingredientes en:

www.kaercher.com/REACH

Niveles de peligro

⚠ PELIGRO

Aviso sobre un riesgo de peligro inmediato que puede provocar lesiones corporales graves o la muerte.

⚠ ADVERTENCIA

Aviso sobre una situación probablemente peligrosa que puede provocar lesiones corporales graves o la muerte.

⚠ PRECAUCIÓN

Indicación sobre una situación que puede ser peligrosa, que puede acarrear lesiones leves.

⚠ CUIDADO

Aviso sobre una situación probablemente peligrosa que puede provocar daños materiales.

Resumen

Elementos del aparato

Figura 1

- 1 Soporte para la lanza dosificadora
- 2 Manómetro
- 3 Ranura para la manguera de aspiración de detergente
- 4 Empuñadura (por ambos lados)
- 5 Conexión de agua con filtro
- 6 Adaptador de la conexión de agua
- 7 Conexión de alta presión EASY!Lock
- 8 Manguera de alta presión EASY!Lock
- 9 Tubo pulverizador EASY!Lock
- 10 Marca de la boquilla
- 11 Boquilla triple EASY!Lock
- 12 Abertura de llenado para combustible
- 13 Rodillo-guía con freno de estacionamiento
- 14 Filtro de combustible
- 15 Palanca de seguro
- 16 Conexión eléctrica
- 17 Palanca de disparo
- 18 Bolsa de herramientas
- 19 Bloque de seguridad de la pistola pulverizadora manual
- 20 Pistola pulverizadora EASY!Force
- 21 Abertura de llenado para combustible
- 22 Válvula dosificadora de detergente
- 23 Panel de control
- 24 Soporte para la pistola pulverizadora manual
- 25 Peldaño
- 26 Estríbo de manejo
- 27 Placa de características
- 28 Cierre del capó
- 29 Depósito para accesorios
- 30 Quemador
- 31 Soporte para la lanza dosificadora
- 32 Capó del aparato
- 33 Válvula de retención del sistema de absorción de detergentes
- 34 Recipiente de aceite
- 35 Tornillo purgador de aceite
- 36 Manguera de detergente con filtro
- 37 Filtro de combustible
- 38 Pinza de fijación
- 39 Manguera (sistema de amortiguación suave) del dispositivo de seguridad contra el funcionamiento en seco

- 40 Dispositivo de seguridad contra el funcionamiento en seco
- 41 Tamiz en el dispositivo de seguridad contra el funcionamiento en seco
- 42 Filtro de depuración fina (agua)

Panel de control

Figura 2

A Interruptor del aparato

0/OFF = OFF

- 1 Modo de funcionamiento: funcionamiento con agua fría
- 2 Modo de funcionamiento: funcionamiento con agua caliente (e = nivel eco, agua caliente máx. 140 °F/60 °C)
- 3 Piloto de control detergente
- 4 Piloto de control de disponibilidad de servicio
- 5 Piloto de control de material combustible

Identificación por colores

- Los elementos de control para el proceso de limpieza son amarillos.
- Los elementos de control para el mantenimiento y el servicio son de color gris claro.

Símbolos en el aparato



Los chorros a alta presión pueden ser peligrosos si se usan indebidamente. No dirija el chorro hacia personas, animales o equipamiento eléctrico activo, ni apunte con él al propio aparato.



*¡Peligro por tensión eléctrica!
Solo electricistas cualificados o personal autorizado pueden realizar trabajos en los componentes de la instalación.*



¡Riesgo de quemaduras por superficies calientes!



¡Peligro de intoxicación! No se deben respirar los gases de escape.

De acuerdo con las normativas vigentes, está prohibido utilizar el aparato sin un separador de sistema en la red de agua potable. Asegúrese de que la toma de su instalación de agua doméstica donde se opera la limpiadora a alta presión, esté equipada con un separador de sistema conforme a EN 12729 tipo BA. El agua que haya pasado por un separador del sistema será catalogada como no potable.

⚠ PRECAUCIÓN

Conectar el separador de sistema siempre a la alimentación de agua, nunca directamente al equipo.



Uso previsto

Limpieza de: Máquinas, vehículos, edificios, herramientas, fachadas, terrazas, herramientas de jardín, etc.

⚠ PELIGRO

¡Peligro de lesiones! Cuando se utilice en gasolineras u otras zonas de peligro deberán tenerse en cuenta las instrucciones de seguridad.

Las aguas residuales que contengan aceite no deben penetrar en el suelo ni verterse en aguas naturales o en el sistema de canalización. Por ello, el lavado de motores y el lavado de los bajos sólo debe realizarse en lugares adecuados con un separador de aceite.

Requisitos para la calidad del agua:

CUIDADO

Sólo se puede utilizar agua limpia como medio de alta presión. La suciedad provoca desgaste prematuro o sedimentos en el aparato y los accesorios.

Si se utiliza agua reciclada, no se pueden superar los siguientes límites.

Valor pH	6,5...9,5
Conductividad eléctrica *	Conductividad agua fresca +1200 µS/cm
sustancias que se pueden depositar **	< 0,5 mg/l
Sustancias que se pueden filtrar ***	< 50 mg/l
Hidrocarburos	< 20 mg/l
Cloruro	< 300 mg/l
Sulfato	< 240 mg/l
Calcio	< 200 mg/l
Dureza total	< 28 °dH < 50 °TH < 500 ppm (mg CaCO ₃ /l)
Hierro	< 0,5 mg/l
Manganeso	< 0,05 mg/l
Cobre	< 2 mg/l
Cloro activo	< 0,3 mg/l
sin olores desagradables	
* Máximo total 2000 µS/cm	
** Volumen de prueba 1 l, tiempo de sedimentación 30 min	
*** sin sustancias abrasivas	

Indicaciones de seguridad

PROPOSITION 65

ADVERTENCIA

Los humos de escape de este quemador contienen productos químicos que según el Estado de California pueden causar cáncer, defectos de nacimiento o reproducción.

- Respetar las normativas vigentes nacionales correspondientes para eyectores de líquidos.
- Respetar las normativas vigentes nacionales correspondientes de prevención de accidentes. Los eyectores de líquidos deben ser examinados regularmente y tiene que guardarse una copia escrita de la revisión.

- El dispositivo calefactor del aparato es una instalación calefactora. Las instalaciones calefactoras deben regularse regularmente según las normativas nacionales correspondientes.
- No se debe efectuar ningún tipo de modificación en el aparato/accesorios.

Dispositivos de seguridad

La función de los dispositivos de seguridad es proteger al usuario y está prohibido ponerlos fuera de servicio y modificar o ignorar su funcionamiento.

Presóstato

- El presóstato desconecta el aparato al cerrarse la pistola pulverizadora manual y al abrirse lo vuelve a conectar.

Válvula de seguridad

- La válvula de seguridad se abre cuando la válvula de reboso o el presóstato están defectuosos.

La válvula de seguridad ha sido ajustada y precintada en fábrica. El ajuste lo debe realizar solamente el servicio postventa.

Dispositivo de seguridad contra el funcionamiento en seco

- El dispositivo de seguridad contra el funcionamiento en seco evita que el quemador se conecte en caso de falta de agua.
- Un tamiz evita el ensuciamiento del dispositivo de seguridad. Este tamiz se debe limpiar periódicamente.

Limitador de la temperatura de gas de escape

- El limitador de la temperatura de gas de escape apaga el aparato al alcanzar una temperatura de gas de escape demasiado alta.

Puesta en marcha

⚠ **ADVERTENCIA**

¡Riesgo de lesiones! El aparato, los accesorios, los tubos de alimentación y las conexiones deben estar en perfecto estado. Si no están en perfecto estado, no deben utilizarse.

- ➔ Active el freno de estacionamiento.

Montar el estribo de manejo

Figura 3

Par de apriete de los tornillos: 6,5-7,0 Nm

Montar la bolsa para herramientas

Figura 4

- ➔ Colgar la bolsa de herramientas en las lengüetas superiores de retención del aparato.
- ➔ Abatir hacia abajo la bolsa de herramientas y encajar.
- ➔ Fijar la bolsa de herramientas con 2 tornillos (par de apriete: 6,5-7,0 Nm).

Montar la pistola pulverizadora manual, lanza dosificadora, boquilla y manguera de alta presión

Aviso: El sistema EASY!Lock conecta componentes de forma rápida y segura mediante una rosca rápida con tan solo una vuelta.

Figura 5

- ➔ Conectar el tubo pulverizador con la pistola pulverizadora y apretar a mano (EASY!Lock).

- ➔ Monte la boquilla en el tubo pulverizador (la marca del aro de apoyo tiene que estar arriba) y apretar con la mano (EASY!Lock).
- ➔ Conectar la manguera de alta presión con la pistola pulverizadora y la conexión de alta presión del aparato y apretar a mano (EASY!Lock).

Llenar de combustible

⚠ **PELIGRO**

¡Peligro de explosiones! Llenar sólo con gasóleo o fuel ligero. No deben emplearse combustibles inadecuados como por ejemplo gasolina.

CUIDADO

¡Riesgo de daños! El aparato no debe ponerse en funcionamiento nunca con el depósito de combustible vacío. De lo contrario, se estropeará la bomba de combustible.

- ➔ Llenar de combustible.
- ➔ Cerrar la tapa del depósito.
- ➔ Limpiar el combustible que se haya vertido.

Llenar de detergente

⚠ **PELIGRO**

¡Peligro de lesiones!

- Utilizar sólo productos Kärcher.
- No eche en ningún caso disolvente (gasolina, acetona, diluyente, etc.).
- Evite el contacto con los ojos y la piel.
- Tenga en cuenta las instrucciones de seguridad y uso del fabricante del detergente.

Kärcher ofrece un programa individual de limpieza y mantenimiento.

Su comercial le asesorará con mucho gusto.

- ➔ Llenar de detergente.

Conexión de agua

Valores de conexión, ver datos técnicos.

- ➔ Conectar la manguera de alimentación (longitud mínima 24,6 ft/7,5 m, diámetro mínimo 3/4") a la conexión de agua del equipo y a la entrada de agua (por ejemplo al grifo de agua) con la ayuda del adaptador de la conexión de agua.

Aviso: El alcance del suministro no incluye la manguera de alimentación.

Aspirar agua del depósito

- ➔ Conectar la manguera de aspiración (diámetro mínimo 3/4" con filtro (accesorios) a la toma de agua.
 - Altura máxima de aspiración: 1.6 ft (0.5 m)
- Hasta que la bomba haya aspirado el agua, usted debe:
- ➔ Cerrar la válvula dosificadora de detergente.

⚠ **PELIGRO**

¡Peligro de lesiones y daños! No aspire nunca agua de un depósito de agua potable. No aspire nunca líquidos que contengan disolventes como diluyente de laca, gasolina, aceite o agua sin filtrar. Las juntas en el aparato no son resistentes a los disolventes. La neblina pulverizada de los disolventes es altamente inflamable, explosiva y tóxica.

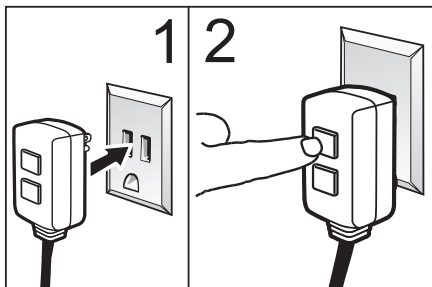
Toma de corriente

- Valores de conexión: véase la placa de características y datos técnicos.
- La conexión eléctrica debe ser realizada por un electricista y cumplir la norma NEC y los códigos locales.

Instrucciones del Interruptor de Circuito de Avería por Puesta a Tierra

- ➔ **PASO 1:** Enchufe el interruptor de circuito de avería por puesta a tierra a un tomacorriente de servicio.
- ➔ **PASO 2:** Presione "TEST" (PRUEBA) y, después, presione "RESET" (REINICIO) para asegurarse de que la conexión a la toma de energía eléctrica es correcta.

Nota: El aspecto actual del interruptor de circuito de avería por puesta a tierra puede ser distinto al de la ilustración.



Manejo

⚠ PELIGRO

¡Peligo de explosiones! No pulverizar líquidos combustibles.

⚠ PELIGRO

¡Peligo de lesiones! No utilizar el aparato nunca sin la lanza dosificadora sin montar. Comprobar que la lanza dosificadora está bien colocada antes de cada uso. La rosca de la lanza dosificadora debe estar bien apretada con la mano.

⚠ PELIGRO

¡Riesgo de lesiones! Durante el trabajo sujete con firmeza con las dos manos la pistola pulverizadora y el tubo pulverizador.

⚠ PELIGRO

¡Riesgo de lesiones! Durante el funcionamiento, la palanca de disparo y la palanca de fijación no deben estar bloqueadas.

⚠ PELIGRO

¡Riesgo de lesiones! Si la palanca de fijación está dañada, llamar al servicio técnico.

CUIDADO

¡Riesgo de daños! El aparato no debe ponerse en funcionamiento nunca con el depósito de combustible vacío. De lo contrario, se estropeará la bomba de combustible.

Abrir/cerrar la pistola pulverizadora

- ➔ Abrir la pistola pulverizadora: Accionar la palanca de fijación y la palanca de disparo.
- ➔ Cerrar la pistola de pulverización: Soltar la palanca de fijación y la palanca de disparo.

Cambiar las boquillas

⚠ PELIGRO

¡Riesgo de lesiones! Desconectar el aparato antes de cambiar la boquilla y accionar la pistola pulverizadora hasta que el aparato se quede sin presión.

- ➔ Asegurar la pistola pulverizadora empujando la palanca de fijación hacia delante.
- ➔ Sustituir la boquilla.

Conexión del aparato

- ➔ Ajustar el interruptor del aparato al modo de servicio deseado. El piloto de control de disposición de servicio se enciende.

El aparato se pone en marcha brevemente y se desconecta en cuanto se ha alcanzado la presión de trabajo.

- ➔ Quitar el seguro de la pistola pulverizadora empujando la palanca de fijación hacia atrás.

Al accionar la pistola pulverizadora manual se vuelve a encender el aparato.

Nota: Si no sale agua de la boquilla de alta presión, purgue el aire de la bomba. Véase ayuda en el apartado "El aparato no genera presión" en Averías.

Regular la temperatura de limpieza

- ➔ Ajustar el interruptor del aparato a la temperatura deseada.

Boquilla triple

- ➔ Cerrar la pistola de pulverización manual.
- ➔ Girar la carcasa de la boquilla hasta que coincida en símbolo deseado con la marca:

	Chorro plano de alta presión (25°) para áreas sucias muy amplias.
	Chorro circular de alta presión (0°) para suciedad especialmente resistente
	Chorro plano de baja presión (CHEM) para el uso con detergentes o para limpiar a una tensión baja.

Elija entre chorro circular o chorro plano cambiando sin contacto.

- ➔ Cierre la pistola pulverizadora manual.
- ➔ Girar hacia la izquierda o derecha la lanza dosificadora orientada 45° hacia abajo.

Funcionamiento con detergente

- Utilice los detergentes con moderación para no perjudicar el medio ambiente.
- El detergente debe ser apropiado para la superficie que se ha de limpiar.
- ➔ Coloque la boquilla en la posición "CHEM".
- ➔ Ajustar la concentración de detergente con ayuda de la válvula dosificadora de detergente según las indicaciones del fabricante.

Nota: Valores indicativos en el panel de control a la máxima presión de trabajo.

Indicación: Si se aspira detergente desde un recipiente externo, introducir la manguera de detergente por la ranura hacia fuera.

Limpieza

- Ajustar la presión/temperatura y concentración de detergente en función de la superficie a limpiar.

Nota: Dirigir primero el chorro a alta presión desde una mayor distancia hacia el objeto a limpiar, con el fin de evitar causar daños por una presión demasiado alta.

Método de limpieza recomendado

- disolución de la suciedad
- Rociar con detergente con moderación y dejar actuar 1...5 minutos pero sin dejar secar.
- eliminación de la suciedad
- Aplicar el chorro de agua a alta presión sobre la suciedad disuelta para eliminarla.

Servicio con agua fría

Eliminación de suciedades ligeras y enjuague de, por ejemplo: aparejos de jardín, terrazas, herramientas, etc.

Nivel Eco

El aparato trabaja en el rango de temperatura máx. económico (máx. 140 °F/60 °C).

Servicio con agua caliente

⚠ PELIGRO

Existe peligro de escaldamiento

- Ajustar el interruptor del aparato a la temperatura deseada.

Recomendamos las siguientes temperaturas de limpieza:

- Suciedades ligeras
86 °F/30 °C-122 °F/50 °C
- Suciedades de albúmina, por ejemplo en la industria alimentaria
max. 140 °F/60 °C
- Limpieza de coches, de máquinas
140 °F/60 °C-194 °F/90 °C

Interrupción del funcionamiento

- Asegurar la pistola pulverizadora empujando la palanca de fijación hacia delante.

Después del funcionamiento con detergente

- Poner la válvula dosificadora en la posición "0".
- Ajustar el interruptor del aparato en el nivel 1 (funcionamiento con agua fría).
- Enjuagar el aparato con la pistola pulverizadora abierta durante al menos 1 minuto.

Desconexión del aparato

⚠ PELIGRO

Peligro de escaldamiento por agua caliente Después del servicio con agua caliente, se debe enfriar el equipo con agua fría durante al menos dos minutos con la pistola abierta.

- Cerrar el abastecimiento de agua.
- Abrir la pistola pulverizadora manual.
- Conectar la bomba con el interruptor de equipo y dejar en marcha 5-10 segundos.
- Cerrar la pistola de pulverización manual.
- Ponga el interruptor del aparato en "0/OFF".
- Sacar el enchufe de la toma de corriente sólo con las manos secas.
- Retirar la conexión de agua.
- Poner en funcionamiento la pistola pulverizadora manual hasta que no quede presión en el aparato.
- Asegurar la pistola pulverizadora empujando la palanca de fijación hacia delante.

Almacenamiento del aparato

- Encajar la lanza dosificadora en el soporte del capó del aparato.
- Enrollar la manguera a alta presión y el cable eléctrico y colocarlos en soportes.

Nota: No doble la manguera a alta presión y el cable eléctrico.

Protección antiheladas

CUIDADO

¡Riesgo de daños! El hielo deteriora el aparato si éste no se ha vaciado por completo de agua.

- Coloque el aparato en un lugar a salvo de las heladas.

Si el aparato está conectado a una chimenea deberá tenerse en cuenta lo siguiente:

CUIDADO

Peligro de sufrir daños a causa del aire frío que penetre a través de la chimenea.

- Mantener el aparato a salvo de las temperaturas exteriores por debajo de 32 °F/0 °C.

Si no es posible el almacenamiento libre de heladas, pare el aparato.

Parada

En largos periodos de inactividad o cuando no sea posible el almacenamiento a salvo del hielo:

- Vaciar el depósito de detergente.
- Dejar salir agua.
- Enjuagar el aparato con anticongelante.

Dejar salir agua

- Desatornillar la manguera de abastecimiento de agua y la manguera a alta presión.
- Desatornillar el tubo de abastecimiento en el fondo de la caldera y hacer marchar en vacío el serpentín de recalentamiento.
- Dejar en marcha el aparato durante 1 minuto como máximo hasta que la bomba y los conductos estén vacíos.

Enjuagar el aparato con anticongelante

Nota: Tener en cuenta las instrucciones de uso del fabricante del anticongelante.

- Utilizar un anticongelante de los habituales en el mercado.
- Encender el aparato (sin quemador), hasta que esté totalmente enjuagado.

De este modo se conseguirá una protección segura contra la corrosión.

Almacenamiento

⚠ PRECAUCIÓN

¡Peligro de lesiones y daños! Respetar el peso del aparato en el almacenamiento.

Transporte

Figura 6

CUIDADO

¡Riesgo de daños! Al cargar el aparato con una carretilla elevadora, tener en cuenta la ilustración.

CUIDADO

Proteger la palanca de fijación contra daños durante el transporte.

⚠ PRECAUCIÓN

¡Peligo de lesiones y daños! Respetar el peso del aparato para el transporte.

- Al transportar en vehículos, asegurar el aparato para evitar que resbale y vuelque conforme a las directrices vigentes.

Cuidados y mantenimiento

⚠ PELIGRO

Peligro de lesiones causadas por un aparato que se arranque involuntariamente y descarga eléctrica. Antes de efectuar cualquier trabajo en el aparato, hay que desconectarlo de la red eléctrica.

- Cerrar el abastecimiento de agua.
- Abrir la pistola pulverizadora manual.
- Conectar la bomba con el interruptor de equipo y dejar en marcha 5-10 segundos.
- Cerrar la pistola de pulverización manual.
- Ponga el interruptor del aparato en "0/OFF".
- Sacar el enchufe de la toma de corriente sólo con las manos secas.
- Retirar la conexión de agua.
- Poner en funcionamiento la pistola pulverizadora manual hasta que no quede presión en el aparato.
- Asegurar la pistola pulverizadora empujando la palanca de fijación hacia delante.
- Deje enfriar el aparato.

Un comercial de Kärcher especializado le informará sobre la realización de una inspección de seguridad regular o el cierre de un contrato de mantenimiento.

Intervalos de mantenimiento

Todas las semanas

- Limpie el tamiz en la conexión del agua.
- Limpiar el filtro de depuración fina.
- Limpiar el filtro de combustible.
- Controle el nivel de aceite.

CUIDADO

¡Peligo de daños! En caso de aceite lechoso informar inmediatamente al servicio postventa Kärcher.

Mensualmente

- Limpie el tamiz en el dispositivo de seguridad contra el funcionamiento en seco.
- Limpie el filtro en la manguera de aspiración de detergente.

Cada 500 horas de servicio, al menos cada año

- ha de cambiar el aceite.
- Solicitar al servicio técnico que efectúe el mantenimiento del aparato.

Trabajos de mantenimiento

Limpie el tamiz en la conexión del agua

- Retire el tamiz.
- Limpie el tamiz en agua y vuelva a colocarlo.

Limpie el filtro de depuración fina

- Despresurizar el sistema de alta presión.
- Deastornillar el filtro fino del cabezal de la bomba.
- Desmontar el filtro fino y sacar el filtro.
- Limpiar el filtro con agua limpia o aire comprimido.
- Montar siguiendo los pasos a la inversa.

Limpie el filtro de combustible

- Sacudir el filtro de combustible. El combustible no debe entrar en contacto con el medio ambiente.

Limpie el tamiz en el dispositivo de seguridad contra el funcionamiento en seco

- Despresurizar el sistema de alta presión.
- Hacer palaca para extraer la pinza de fijación y extraer la manguera (sistema de amortiguación suave) del dispositivo de seguridad contra el funcionamiento en seco.
- Saque el tamiz.

Nota: En caso necesario gire el tornillo M8 unos 0.2 in/5 mm hacia adentro y saque así el tamiz.

- Limpie el tamiz en agua.
- Meta el tamiz.
- Desplazar el racor de la manguera totalmente en el dispositivo de seguridad contra el funcionamiento en seco y asegurar con la pinza de fijación.

Limpie el filtro en la manguera de aspiración de detergente

- Saque la tubuladura de aspiración de detergente.
- Limpie el filtro en agua y vuelva a colocarlo.

Cambie el aceite

- Prepare un recipiente colector para aprox. 0.26 gal/1 litro de aceite.
- Suelte el tornillo de purga.

Elimine el aceite viejo sin dañar el medio ambiente o entregarlo en un punto de recogida de residuos.

- Vuelva a apretar el tornillo de purga.
- Introducir aceite poco a poco hasta la marca MAX.

Nota: Las burbujas de aire deben poder desaparecer.
Tipo de aceite y cantidad de llenado, ver datos técnicos.

Ayuda en caso de avería

⚠ PELIGRO

Peligro de lesiones causadas por un aparato que se arranque involuntariamente y descarga eléctrica. Antes de efectuar cualquier trabajo en el aparato, hay que desconectarlo de la red eléctrica.

El piloto de control de disposición de servicio se apaga

- No hay tensión de red, véase "El aparato no se pone en marcha".

El piloto de control de combustible está encendido

- Depósito de combustible vacío.
- Llenar de combustible.

El piloto de control del detergente está iluminado

- El depósito de detergente está vacío.
- Llenar de detergente.

El aparato no funciona

- No hay tensión de red
- Verificar conexión de red/cable.

El aparato no genera presión

- La boquilla está colocada en "CHEM".
 - Coloque la boquilla en la posición "presión alta".
 - Aire en el sistema
- Purgar el aire de la bomba:
- Poner la válvula dosificadora en la posición "0".
 - Cuando la pistola pulverizadora está abierta conecte y desconecte el aparato varias veces con el interruptor principal.

Nota: Al desmontar la manguera de alta presión de la conexión a alta presión se acelera el proceso de purga de aire.

- Si el depósito de detergente está vacío, llénelo.
- Verifique las conexiones y tuberías.
- Limpie el tamiz en la conexión del agua.
- Limpie el tamiz.
- Limpiar el filtro de depuración fina, si es necesario cambiar.
- La cantidad de abastecimiento de agua es escasa
- Verifique la cantidad de abastecimiento de agua (ver datos técnicos).

El aparato tiene fugas, el agua gotea del aparato por abajo

- La bomba no es estanca

Nota: Lo permitido es 3 gotas por minuto.

- En caso de fuga de mayor envergadura deje que el servicio técnico revise el aparato.

El aparato se enciende y se apaga continuamente cuando la pistola está cerrada

- Fuga en el sistema de alta presión
- Verificar la estanqueidad del sistema de alta presión y las conexiones.

El aparato no succiona detergente

- La boquilla está colocada en "presión alta".
- Coloque la boquilla en la posición "CHEM".
- El filtro en la manguera de aspiración de detergente está sucio
- Limpiar el filtro.
- La válvula de retención se pega
- Desmontar la manguera de detergente y soltar la válvula de retención con un objeto obtuso.

El quemador no se enciende

- Depósito de combustible vacío.
- Llenar de combustible.
- Falta de agua
- Comprobar la conexión de agua y las tuberías.
- Limpie el tamiz en el dispositivo de seguridad contra el funcionamiento en seco.
- El filtro de combustible está sucio
- Cambie el filtro de combustible.
- No hay chispa de encendido
- Si durante el servicio no se ve ninguna chispa de encendido a través de la mirilla, lleve el aparato al servicio técnico para revisarlo.

La temperatura regulada no se alcanza durante el servicio con agua caliente

- El serpentín de recalentamiento ha almacenado hollín
- El aparato deberá deshollinarlo el servicio técnico.

Servicio de atención al cliente

Si la avería no se puede solucionar el aparato debe ser revisado por el servicio técnico.

Garantía

En todos los países rigen las condiciones de garantía establecidas por nuestra empresa distribuidora. Las averías del aparato serán subsanadas gratuitamente dentro del periodo de garantía, siempre que se deban a defectos de material o de fabricación. En un caso de garantía, le rogamos que se dirija con el comprobante de compra al distribuidor donde adquirió el aparato o al servicio al cliente autorizado más próximo a su domicilio.

Accesorios y piezas de repuesto

Nota: Al conectar el aparato a una chimenea o cuando no se vea el aparato, recomendamos integrar un detector de llamas (opcional).

Utilice solamente accesorios y recambios originales, ya que garantizan un funcionamiento correcto y seguro del equipo.

Puede encontrar información acerca de los accesorios y recambios en www.kaercher.com.

Datos técnicos

		HDS 2.3/12 C Ed
Conexión de red		
Tensión	V	110-120
Tipo de corriente	Hz	1~ 60
Potencia conectada	hp (kW)	2.8 (2.1)
Fusible de red (inerte)	A	20
Categoría de protección	--	IPX5
Clase de protección	--	I
Conexión de agua		
Temperatura de entrada (máx.)	°F (°C)	86 (30)
Velocidad de alimentación (mín.)	gpm (l/min)	3.1 (11.7)
Altura de aspiración desde el depósito abierto (68 °F/20 °C)	ft (m)	1.6 (0.5)
Presión de entrada (máx.)	psi (MPa)	145 (1)
Potencia y rendimiento		
Caudal, agua	gpm (l/min)	2.3 (8.8)
Presión de trabajo agua (con boquilla estándar)	psi (MPa)	1100 (7.6)
Sobrepresión de servicio máxima (válvula de seguridad)	psi (MPa)	2150 (14.8)
Temperatura de trabajo máx. agua caliente	°F (°C)	190 (88)
Aspiración de detergente	gpm (l/min)	0-0.1 (0-0.4)
Potencia del quemador	hp (BTU/h)	42 (107,000)
Consumo máximo de fuel	kg/h (gph)	3.1 (1.06)
Fuerza de retroceso de la pistola pulverizadora manual (máx.)	N	16
Tamaño de la boquilla de la boquilla estándar	--	050
Valores calculados conforme a la norma EN 60335-2-79		
Emisión sonora		
Nivel de presión acústica L_{pA}	dB(A)	74
Inseguridad K_{pA}	dB(A)	3
Nivel de potencia acústica L_{WA} + inseguridad K_{WA}	dB(A)	92
Valor de vibración mano-brazo		
Pistola pulverizadora manual	m/s ²	1.3
Lanza dosificadora	m/s ²	2.4
Inseguridad K	m/s ²	0.3
Combustibles		
Material combustible	--	Aceite combustible EL o Diesel
Cantidad de aceite	gal (l)	0.08 (0.3)
Tipo de aceite	--	0W40
Medidas y pesos		
Longitud x anchura x altura	in (mm)	41.7 x 25.6 x 36.2 (1060 x 650 x 920)
Peso de funcionamiento típico	lbs (kg)	190 (86.2)
Depósito de carburante	gal (l)	4.1 (15.5)
Depósito de detergente	gal (l)	4.1 (15.5)



THANK YOU!
MERCI! DANKE! ¡GRACIAS!



Registrieren Sie Ihr Produkt und profitieren Sie von vielen Vorteilen.

Register your product and benefit from many advantages.

Enregistrez votre produit et bénéficiez de nombreux avantages.

Registre su producto y aproveche de muchas ventajas.

www.kaercher.com/welcome



Bewerten Sie Ihr Produkt und sagen Sie uns Ihre Meinung.

Rate your product and tell us your opinion.

Évaluer votre produit et dites-nous votre opinion.

Reseñe su producto y díganos su opinión.



www.kaercher.com/dealersearch

Alfred Kärcher SE & Co. KG

Alfred-Kärcher-Str. 28-40

71364 Winnenden (Germany)

Tel.: +49 7195 14-0

Fax: +49 7195 14-2212

