

KÄRCHER

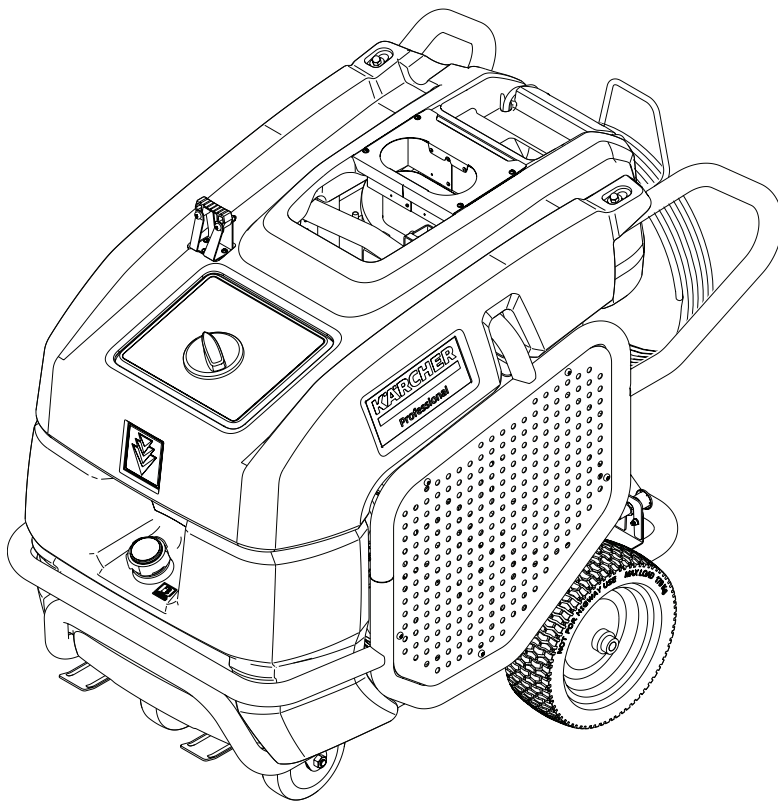
makes a difference

High pressure cleaner
Electric motor - Hot water

English..... 3
French..... 17
Spanish.....33

MODELS:

1.109-153.0
HDS 3.0/20-4 Ea/Eg
1.109-155.0
HDS 3.5/30-4 Ea



**Register
your product**
www.kaercher.com/welcome



9.808-214.0- B 04/14/2021

CONTENTS

Introduction & Important Safety Information	4-6
Symbols on the Machine	6
Component Identification	7
Operating Controls	8
Safety Devices	9
Assembly & Installation Instructions	9-12
Preventive Maintenance And Service	13-15
Technical Specifications	16

Model Number _____

Serial Number _____

Date of Purchase _____

The model and serial numbers will be found on a decal attached to the pressure washer. You should record both serial number and date of purchase and keep in a safe place for future reference.

INTRODUCTION & IMPORTANT SAFETY INFORMATION

Thank you for purchasing this Pressure Washer.

We reserve the right to make changes at any time without incurring any obligation.

Owner/User Responsibility:

The owner and/or user must have an understanding of the manufacturer's operating instructions and warnings before using this pressure washer. Warning information should be emphasized and understood. If the operator is not fluent in English, the manufacturer's instructions and warnings shall be read to and discussed with the operator in the operator's native language by the purchaser/owner, making sure that the operator comprehends its contents.

Owner and/or user must study and maintain for future reference the manufacturers' instructions.

The operator must know how to stop the machine quickly and understand the operation of all controls. Never permit anyone to operate the motor without proper instructions.

SAVE THESE INSTRUCTIONS

This manual should be considered a permanent part of the machine and should remain with it if machine is resold.

When ordering parts, please specify model and serial number. Use only identical replacement parts.

This machine is to be used only by trained operators.

IMPORTANT SAFETY INFORMATION



WARNING: To reduce the risk of injury, read operating instructions carefully before using.

1. Read the owner's manual thoroughly. Failure to follow instructions could cause malfunction of the machine and result in death, serious bodily injury and/or property damage.

2. Know how to stop the machine and bleed pressure quickly. Be thoroughly familiar with the controls.

3. Stay alert — watch what you are doing.

4. All installations must comply with local codes. Contact your electrician, plumber, utility company or the selling distributor for specific details. If your machine is rated 250 volts or less, single phase will be provided with a ground fault circuit interrupter (GFCI). If rated more than 250 volts, or more than single phase this product should only be connected to a power supply receptacle protected by a GFCI.

Do not use extension cord with this product.

DANGER: Improper connection of the equipment-grounding conductor can result in a risk of electrocution. Check with a qualified electrician or service personnel if you are in doubt as to whether the outlet is properly grounded. Do not modify the plug provided with the product - if it will not fit the outlet, have a proper outlet installed by a qualified electrician. Do not use any type of adaptor with this product



WARNING: Keep wand, hose, and water spray away from electric wiring or fatal electric shock may result.

5. To protect the operator from electrical shock, the machine must be electrically grounded. It is the responsibility of the owner to connect this machine

to a UL grounded receptacle of proper voltage and amperage ratings. Do not spray water on or near electrical components. Do not touch machine with wet hands or while standing in water. Always disconnect power before servicing. Close cover before operating the machine.



WARNING: Flammable liquids can create fumes which can ignite, causing property damage or severe injury.

WARNING: Risk of explosion Operate only where open flame or torch is permitted.

6. In oil burning models, use only kerosene, No. 1 home heating fuel, or diesel. If diesel is used, add a soot remover to every tankful.



WARNING: Risk of fire — Do not add fuel when the product is operating or still hot.

WARNING: Do not use gasoline crankcase draining or oil containing gasoline, solvents or alcohol. Doing so will result in fire and/or explosion.

7. Oil burning appliances shall be installed only in locations where combustible dusts and flammable gases or vapors are not present. Do not store or use gasoline near this machine.

8. Do not allow acids, caustic or abrasive fluids to pass through the pump.

9. Never run pump dry or leave spray gun closed longer than 1-2 minutes.

10. Keep operating area clear of all persons.

IMPORTANT SAFETY INFORMATION

! WARNING



USE PROTECTIVE EYE WEAR AND CLOTHING WHEN OPERATING THIS EQUIPMENT.

WARNING: High pressure spray can cause paint chips or other particles to become airborne and fly at high speeds. To avoid personal injury, eye, hand and foot safety devices must be worn.

11. Eye, hand, and foot protection must be worn when using this equipment.

! WARNING



RISK OF INJECTION OR SEVERE INJURY TO PERSONS. KEEP CLEAR OF NOZZLE.

WARNING: High pressure developed by these machines will cause personal injury or equipment damage. Keep clear of nozzle. Use caution when operating. Do not direct discharge stream at people or animals, severe injury or death will result.

! WARNING



EAR PROTECTION MUST BE WORN

WARNING: This machine exceeds 85 db appropriate ear protection must be worn.

! WARNING



PROTECT FROM FREEZING

WARNING: Protect machine from freezing.

15. To keep machine in best operating conditions, it is important you protect machine from freezing. Failure to protect machine from freezing could cause malfunction of the machine and result in death,

serious bodily injury, and/or property damage. Follow storage instructions specified in this manual.

! WARNING



HOT DISCHARGE FLUID: DO NOT TOUCH OR DIRECT DISCHARGE STREAM AT PERSONS OR ANIMALS

WARNING: Hot discharge fluid. Do not touch or direct discharge stream at persons or animals.

WARNING: This machine produces hot water and must have insulated components attached to protect the operator.

! WARNING



RISK OF ASPHYXIATION: USE THIS PRODUCT ONLY IN A WELL VENTILATED AREA.

WARNING: Risk of asphyxiation. Use this product only in a well ventilated area.

17. Avoid installing machines in small areas or near exhaust fans. Adequate oxygen is needed for combustion or dangerous carbon monoxide will result.

! WARNING



RISK OF INJURY: HOT SURFACES CAN CAUSE BURNS

WARNING: Risk of injury. Hot surfaces can cause burns. Use only designated gripping areas of spray gun and wand. Do not place hands or feet on non-insulated areas of the pressure washer.

12. To reduce the risk of injury, close supervision is necessary

when a machine is used near children. Do not allow children to operate the pressure washer. This machine must be attended during operation.

18. Manufacturer will not be liable for any changes made to our standard machines or any components not purchased from us.

19. The best insurance against an accident is precaution and knowledge of the machine.

! WARNING



TRIGGER GUN KICKS BACK - HOLD WITH BOTH HANDS

WARNING: Grip cleaning wand securely with both hands before starting. Failure to do this could result in injury from a whipping wand.

13. Never make adjustments on machine while in operation.

14. Be certain all quick coupler fittings are secured before using pressure washer.

! WARNING



RISK OF INJURY FROM FALLS WHEN USING LADDER.

WARNING: Be extremely careful when using a ladder, scaffolding or any other relatively unstable location. The cleaning area should have adequate slopes and drainage to reduce the possibility of a fall due to slippery surfaces.

20. Do not overreach or stand on unstable support. Keep good footing and balance at all times.

21. Do not operate this machine when fatigued or under the influence of alcohol, prescription medications, or drugs.

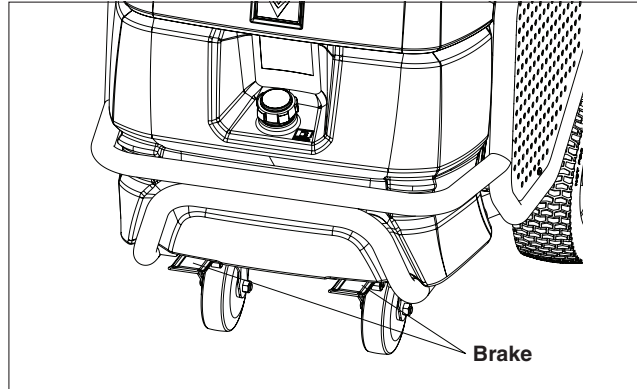
IMPORTANT SAFETY INFORMATION



WARNING: Do not spray machine or any people, animals or electrical parts.



Follow the maintenance instructions specified in the manual.



WARNING: To prevent damage or injury. Keep brake engaged during machine operation and storage.

When the machine is used on a slope bigger than 15°, use extra blocks to stop the wheels and prevent from sliding.

SYMBOLS ON THE MACHINE

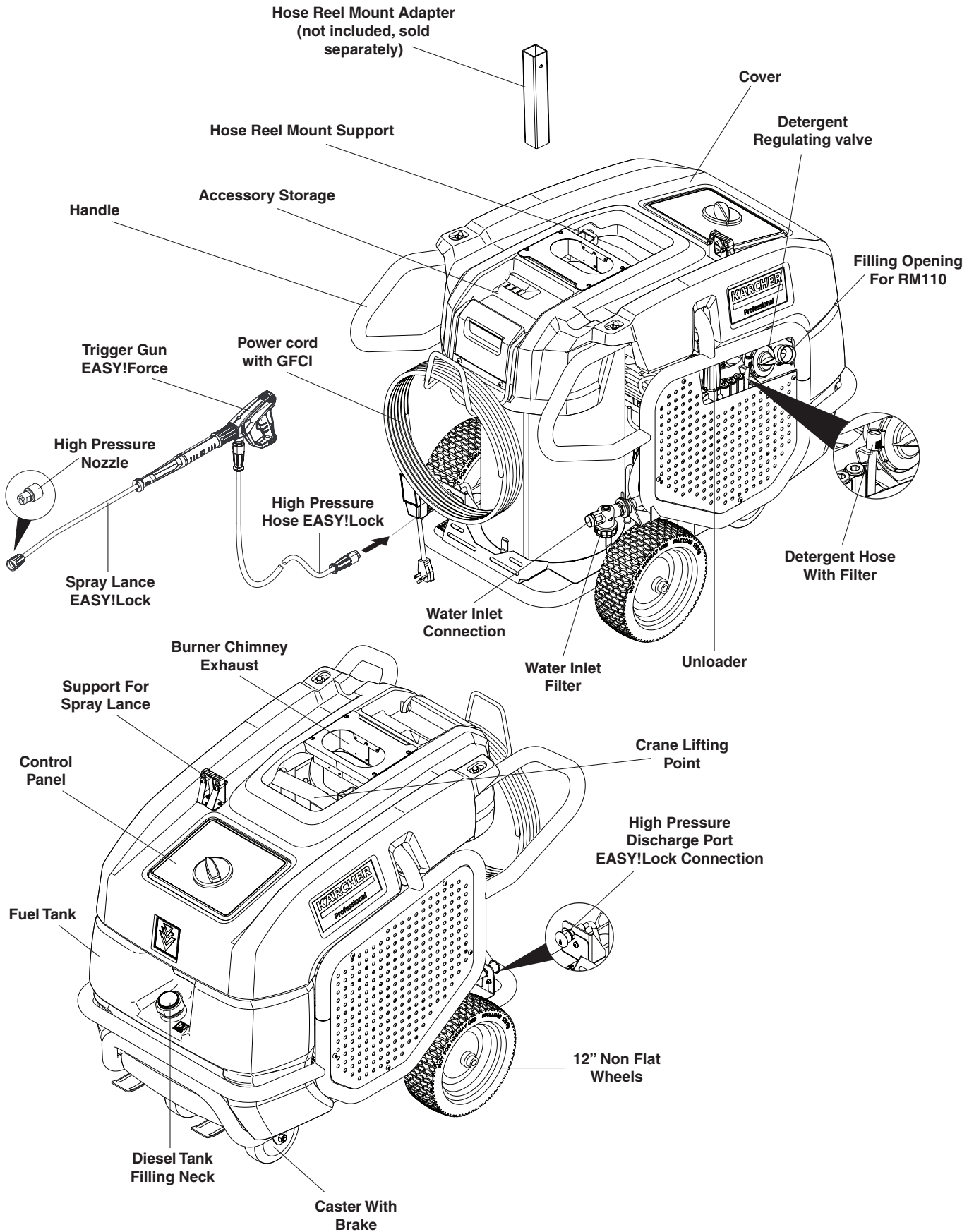


Risk of electric shock!
Only electricians or authorised technicians are permitted to work on parts of the plant.

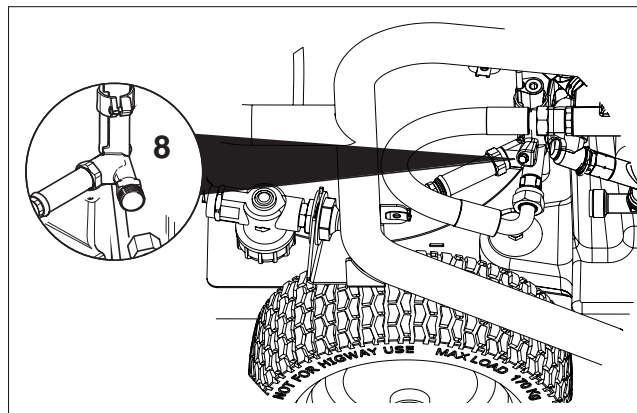
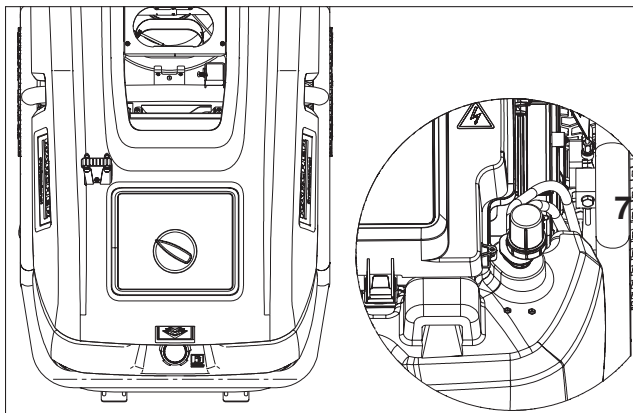
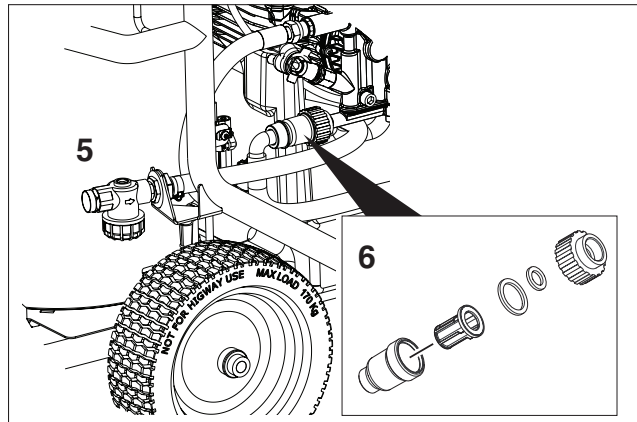
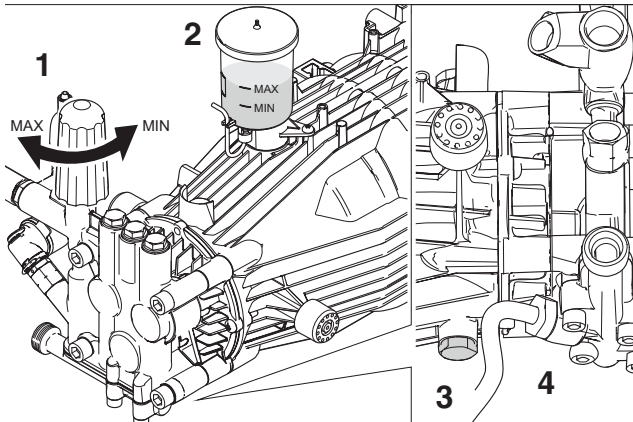


Risk of burns on account of hot surfaces!

COMPONENT IDENTIFICATION



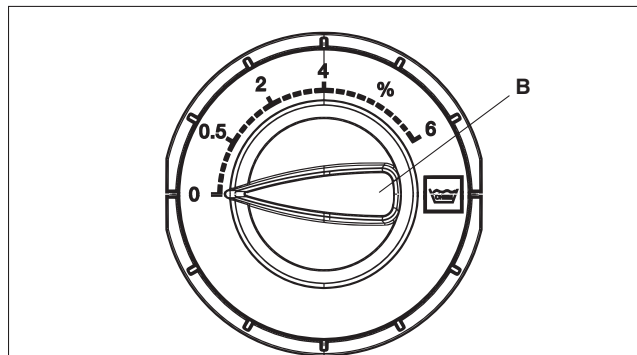
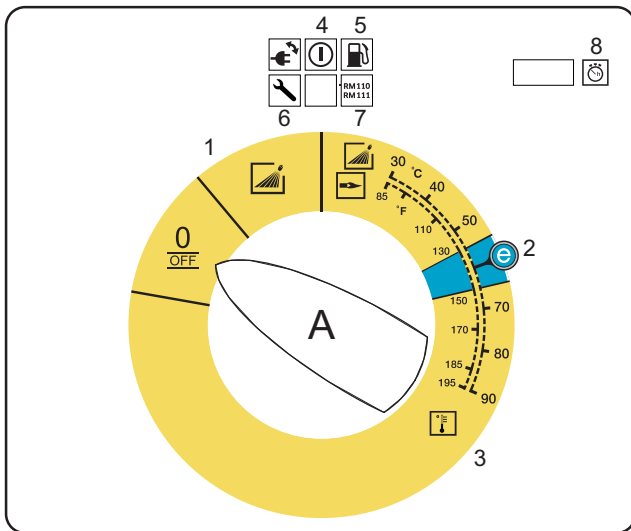
COMPONENT IDENTIFICATION



1. Pressure/flow regulation of the pump
2. Oil tank
3. Oil drain screw
4. Detergent inlet backflow valve

5. Water inlet filter
6. Fine filter (water)
7. Fuel filter
8. Water shortage safeguard

OPERATING CONTROLS



- A. Power switch / temperature control.
- B. Dosage valve for detergent.
1. Operating mode: Cold water.
2. Operating mode: Eco operation (hot water max. 140°F/60°C).

3. Operating mode: Hot water.
4. Ready for use indicator lamp.
5. Fuel indicator lamp.
6. Indicator lamp service.
7. Indicator lamps system care.
8. Hourmeter (pump runtime).

SAFETY DEVICES

Safety devices serve for the protection of the user and must not be put out of operation or bypassed with respect to their function.

Overflow Valve With Two Pressure Switches

While reducing the water supply at the pump head or with the Servopress - regulation the overflow valve opens and part of the water flows back to the pump suck side.

If the hand-spray gun is closed, so that the whole water flows back to the pump suck side, the pressure switch at the overflow valve shuts down the pump.

If the hand spray gun is opened, the pressure switch on the cylinder head turns the pump back on.

Safety Valve

The safety valve opens, when the overflow valve resp. the pressure switch is broken.

The safety valve is set by the manufacturer and sealed.

Setting only by customer service.

Water Shortage Safeguard

The water shortage safeguard prevents the burner to be turned on when there is water shortage and thus protects the heat exchanger from overheating.

The lack of water fuse is a safety component and therefore its locking screw is sealed.

The lack of water fuse functions immediately. It switches the burner off immediately in case of insufficient water volume and back on after the water level has been replenished.

The dry run protection is initiated when the lack of water fuse signals insufficient water volume for 2 minutes. The appliance shuts off with a fault message and locks up.

The appliance can be started back up by switching it off and on via the program switch.

Temperature Stop For Exhaust Gases

The temperature stop switches off the machine when the waste gases have reached very high temperatures.

ASSEMBLY & INSTALLATION INSTRUCTIONS

ASSEMBLY

Unpacking

Unpack carefully. Wear safety glasses or goggles while unpacking, assembling or operating pressure washer. If there are missing components or hidden damage immediately contact distributor or carrier concerning discrepancies.

1. Cut strapping band from pressure washer and pallet.
2. Remove pressure washer from pallet.

Check the contents of the pack before unpacking.

For scope of delivery see page 7.

INSTALLATION

Getting Started

IMPORTANT: Proper initial installation of equipment will assure more satisfactory performance, longer service life and lower maintenance cost.

WARNING: If connection is made to a potable water system, the system shall be protected against back-flow.

The pressure washer should be run on a level surface where it is not readily influenced by outside sources such as strong winds, freezing temperatures, rain, etc. The pressure washer should be located to assure easy access for filling of fluids, adjustments and maintenance. Normal precautions should be taken by the operator to prevent moisture from reaching the pressure washer. It is recommended that a partition be made between the wash area and the pressure washer to prevent direct spray from the wand coming in contact with the pressure washer.

Moisture reaching the equipment will reduce the pressure washer's life. All installations should comply with the local codes covering such installations.

Placement

Do not locate near any combustible material. Keep all flammable material at least 20 feet away.

Allow enough space for servicing the machine.

Local code will require certain distances from floor and walls. (Two feet away from walls should be adequate).

Venting

CAUTION: All venting must be in accordance with applicable federal and state laws, and local ordinances. Consult local heating contractors.

If the pressure washer is to be used in an enclosed area, a flue must be installed to vent burner exhaust to the outside atmosphere. Exhaust gases should not be vented into a wall, a ceiling, or a concealed space of a building. Be sure the flue is the same size as the burner exhaust vent on the pressure washer lid. Poor draft will cause the pressure washer to soot and not operate properly. When selecting the location for installation, beware of poorly ventilated locations or areas where exhaust fans may cause an insufficient supply of oxygen. Proper combustion can only be obtained when there is a sufficient supply of oxygen available for the amount of fuel being burned. If it is necessary to install the machine in a poorly ventilated area, outside fresh air may have to be piped to the burner and a fan installed to bring sufficient air into the machine. Locate the pressure washer so that the flue will be as straight as possible and protrude through the roof at a proper height and location to provide adequate draft.

ASSEMBLY & INSTALLATION INSTRUCTIONS

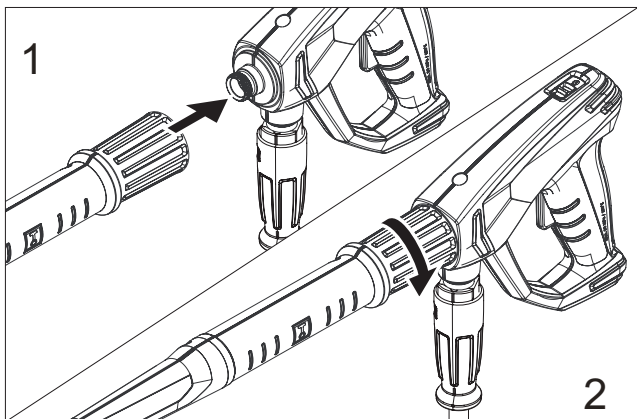
Note: This product is labeled of outdoor use only and should be operated outdoors. It is not recommended to operate indoors. If under certain conditions that make it impossible to operate outdoors you can operate indoor using a hood vent or venting. Venting can cause restriction of air flow through the combustion chamber causing excessive soot. Use a larger vent size than the exhaust stack to prevent restriction and contact the local servicing dealer to adjust the air mixture after installation of vent.

Spray Gun, Spray Lance, Nozzle and High Pressure Hose Installation

Note: The EASY!Lock system joins components with a quick-fasten thread solidly and securely with just one turn. Join the spray lance with the trigger gun and tighten until hand-tight (EASY!Lock).

Mount the nozzle on the spray lance (marking on the adjustment ring at the top) and hand-tighten it (EASY!Lock).

Join the high-pressure hose with trigger gun and high-pressure connection of the appliance and tighten until hand-tight (EASY!Lock).



IMPORTANT: If the pressure washer has not been used for an extended period of time, remove the nozzle from the end of the wand and turn on water supply. Allow water to run from the end of the wand until clear.

IMPORTANT: The trigger gun provided with this pressure washer is equipped with a manual trigger lock to prevent accidental operation of the trigger gun. The trigger lock should be used whenever the trigger gun is not in use.

Opening/Closing The Trigger Gun

- To open the trigger gun: Actuate the safety lever and trigger.
- To close the hand spray gun: Release the safety lever and trigger.

Replace The Nozzle

DANGER: Risk of injury! Switch the appliance off prior to replacing nozzle and activate hand spray gun until device is pressureless.

- Secure the trigger gun. To do so, push the safety catch towards the front.
- Replacing the nozzle

Electrical

This machine, when installed, must be electrically grounded in accordance to local codes. Check for proper power supply using a volt meter.

WARNING: Make sure all switches and controls are in the OFF position prior to plugging in.

For connection values, see technical data and type plate.

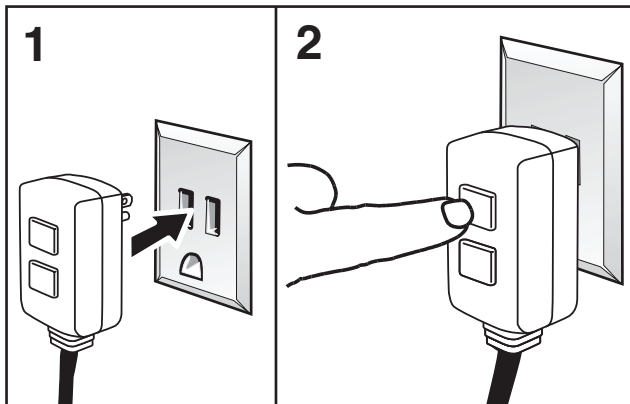
The electrical connections must be done by an electrician according to NEC and local codes.

GFCI Instructions

STEP 1: Plug the Ground Fault Circuit Interrupter (GFCI) into a working outlet.

STEP 2: Press "TEST", then press "RESET" to assure proper connection to power.

Note: The actual appearance of the GFCI may be different from this illustration.



Fuel Refill

DANGER: Danger of explosion! Only refill diesel oil or light fuel oil. Inappropriate fuels, e.g. petrol, must not be used.

DO NOT USE GASOLINE, CRANKCASE OIL RESIDUALS OR WASTE OIL.

ATTENTION: Risk of damage! Never operate device with an empty fuel tank. The fuel pump will otherwise be destroyed.

- Refill fuel.
- Close tank lock.
- Wipe off spilled fuel.

ASSEMBLY & INSTALLATION INSTRUCTIONS

Water Connection

The water source for the pressure washer should be supplied by a minimum 3/4" I.D. garden hose with a city water pressure of not less than 30 PSI.

Flow rate of water supply must not fall below 5 GPM.

The water supply temperature must not exceed 105°F/40°C

Never use the pressure washer to draw in water contaminated with solvents, e.g. paint thinners, gasoline, oil, etc.

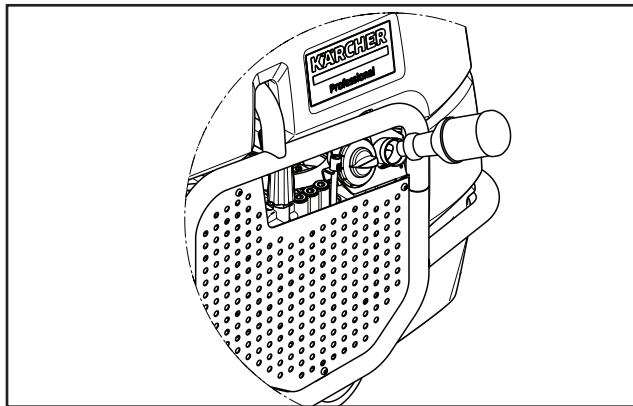
Always prevent debris from being drawn into the unit by using a clean water source. Use additional water filter.

Pump And Coil Protectant (RM110)

The pump and coil protectant RM110 prevents the calcification on the heating coil while operating with calciferous tap water. It is dosed into the supply in the float container drop by drop.

The metering is set to medium water rigidity by the manufacturer.

- Refill system care via the RM110 tank container.



Note: Order in case of 12 bottles, using part # 8.698-058.0.

STARTING AND OPERATING INSTRUCTIONS

To Start:



1. **STOP!** Read operator's manual before operating. Failure to read operation and warning instructions may result in personal injury or property damage.
2. Connect water supply hose and turn on water.
3. Check fuel tank and pump oil levels.
4. Connect high pressure hose to discharge outlet. Securely attach spray gun, lance and high pressure nozzle

5. Connect the power cord into the proper electrical outlet. Only for single-phase models: push the GFCI reset button (Refer to serial plate for information).
6. Hold gun firmly, squeeze trigger of spray gun and turn appliance ON. Allow air to purge from system.
7. Set appliance switch to desired operating mode. Indicator lamp for operational readiness lights up.

The device starts briefly and turns off, as soon as the working pressure is reached.

Release the trigger gun. To do so, push the safety catch towards the back.

When activating the hand spray gun the device switches back on.

Adjust Cleaning Temperature

Set temperature regulator to desired temperature.

86 °F/30 °C to 194 °F/90 °C

- Clean with hot water.

Set Working Pressure And Flow

Pressure/quantity regulation of the pump

Turn the regulation spindle in a clockwise direction:

Increase working pressure (MAX).

Turn the regulation spindle in an anti-clockwise direction:

Reduce working pressure (MIN).

Operation With Detergent

For considerate treatment of the environment use detergent economically.

The detergent must be suitable for the surface to be cleaned.

With support of the detergent dose valve set detergent concentration as determined by the manufacturer.

Cleaning

Set pressure/temperature and detergent concentration according to the surface to be cleaned.

Note: To prevent damage due to too much pressure, always position high pressure ray first

Recommended cleaning method

Loosen the dirt:

- Spray detergent economically and let it work for 1...5 minutes but do not let it dry up.

Remove the dirt:

- Spray off loosened dirt with the high pressure jet.

ASSEMBLY & INSTALLATION INSTRUCTIONS

Operating With Cold Water

Removal of light contaminations and clear rinse, i.e.:
Gardening tools, terrace, tools, etc.

- Set operating pressure according to need.

ECO Operation

The appliance works in the most economical temperature range.

Note: The temperature can be regulated up to 140 °F/
60°C.

Operating With Hot Water

DANGER: Scalding danger!

Set temperature regulator to desired temperature.

We recommend the following cleaning temperatures:

Light contaminations

86 °F/30 °C-122 °F/50 °C

Contaminations containing protein, i.e. in the food processing industry

max. 140 °F/60 °C

Vehicle cleaning, machine cleaning

140 °F/60 °C-194 °F/90 °C

Turn Off The Appliance

DANGER: Danger of scalding from hot water! After the operation with hot water the device must be operated with opened gun with cold water for at least two minutes.

If detergents were used, draw clear water through the detergent line to purge detergent.

- Shut off water supply.
- Open the hand spray gun.
- Switch on the pump with the power switch and allow to run for about 5-10 seconds.
- Close the hand spray gun.
- Set the appliance switch to "0/OFF".
- Pull main plug out of socket with dry hands only.
- Remove water connection.
- Activate hand spray gun until device is pressure less.
- Secure the trigger gun. To do so, push the safety catch towards the front.

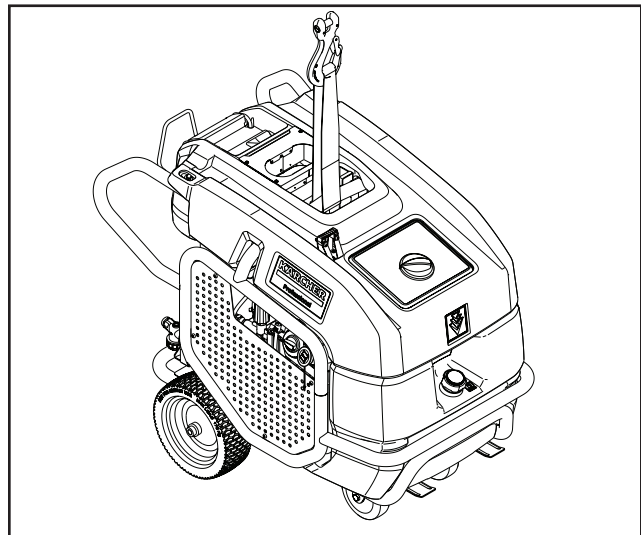
STORAGE

Protect from freezing by storing in a heated area, or by flushing the system with antifreeze (use an automotive engine antifreeze or windshield washer solvent to antifreeze). To flush the system with antifreeze, attach a short length of hose to the garden hose connector located on machine water inlet. Place the other end of the hose into a container of antifreeze. Start machine and allow to run until antifreeze flows from the end of the wand. Squeeze and release the trigger of the trigger gun several times to antifreeze the unloader system. Also draw antifreeze through the detergent inlet line to antifreeze the detergent system. For added protection after anti-freezing, disconnect the pressure hose from machine. After coil has drained, reconnect pressure hose. If the pressure washer is not to be used for an extended length of time, it is recommended that the system be flushed with antifreeze for rust protection.

- Lock in the lance into the holder of the appliance hood.
- Roll up high pressure hose and electrical conduit and hang them into the respective holders.

Note: Do not twist high pressure hose and electrical power cord.

TRANSPORT



Suggestion to lift the appliance with a crane using a sling.

CAUTION: Risk of damage! Not recommended to load the appliance with a forklift.

CAUTION: Risk of personal injury or damage! Mind the weight of the appliance during transport.

When transporting in vehicles, secure the appliance according to the guidelines from slipping and tipping over.

ATTENTION: Protect trigger gun, lance and hose reel from damage during transport. It's not suggested to transport with accessories mounted on the appliance.

PREVENTIVE MAINTENANCE AND SERVICE

MAINTENANCE

WARNING: *Unauthorized machine modification or use of non-approved replacement parts may cause personal injury and/or property damage and will void the manufacturer warranty.*

DANGER: *Risk of injury by inadvertent start-up of appliance and electric shock. Prior to all work on the appliance, switch off the appliance and pull the power plug.*

MAINTENANCE INTERVALS

Weekly

- Clean the sieve in the water connection.
- Clean the fine filter.
- Clean the fuel sieve.
- Check oil level.

ATTENTION: *Risk of damage! In case of lacteous oil inform Kärcher customer service immediately.*

Monthly

- Clean filter at the detergent suck hose.

Every 500 operating hours, at least annually

- Oil change.
- Have the maintenance of the device performed by the customer service.

MAINTENANCE WORKS

Clean the sieve in the water connection

- Take out sieve.
- Clean sieve in water and reinstall.

Cleaning the fine filter

- Unpressurize the appliance.
- Unscrew the fine filter from the pump head.
- Remove the fine filter and the filter insert.
- Clean the filter with clean water or compressed air.
- Reinstall in reverse sequence.

Clean filter at the detergent suck hose

- Take out detergent suck supports.
- Clean filter in water and reinstall.

Oil change

- Ready a catch bin for appr. 0.26 gal/1 Liter oil.
- Loosen release screw.

Dispose of old oil ecologically or turn in at a gathering point.

- Tighten release screw.
- Fill oil slowly up to the MAX marking.

Note: Air pockets must be able to leak out.

For oil type refer to technical specifications.

Proper Pump Care

- **DO NOT** pump acids.
- **DO NOT** allow pump to run dry.
- Winterize if storing in freezing temperatures, refer to **Storage** for details.

• Use a water softener on the water system if known to be high in mineral content.

• Use only high quality detergents and follow manufacturer's mix recommendations.

• Flush the system with clear water immediately after using detergent solutions.

- Clean filter screen on detergent inlet line periodically.

• Flush the pressure washer system with antifreeze if storing for an extended period of time, refer to **Storage** for details.

Unloader Valve

WARNING: *The unloader valve on this pressure washer has been factory set and sealed and is a field nonadjustable part. Tampering with the factory setting may cause personal injury and/or property damage, and will void the manufacturer warranty.*

Burner Fuel Filter

Drain any water which has accumulated in fuel filter and clean or replace element as needed.

Heating Coil

Coil Descaling: In hard water areas, scale buildup within the heating coil will occur. Scale deposits will decrease the water temperature rise and may eventually clog the heating coil. Contact your local service center when descaling is needed.

Coil Desooting: Poor grades of fuel oil or inadequate combustion air will cause heavy soot buildup on the outside surface of the heating coil. These deposits will insulate the coil. This will restrict the air flow through the coil, further aggravating the soot buildup. Contact your local service center when desooting is needed.

PREVENTIVE MAINTENANCE AND SERVICE

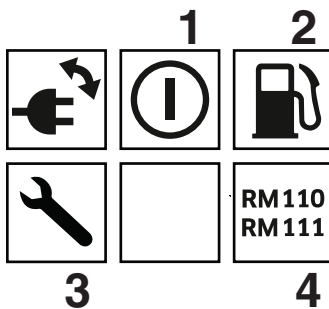
Relief Valve

WARNING: The relief valve on this pressure washer has been factory set and sealed and is a field nonadjustable part. Tampering with the factory setting may cause personal injury and/or property damage, and will void the manufacturer warranty.

If pressure from pump exceed safe limits, the relief valve will open, allowing high pressure to be discharged through hose to ground.

Caution: Inspect relief valve annually for any obstruction.

TROUBLESHOOTING



1. Ready for use: indicator lamp
2. Fuel indicator lamp
3. Indicator lamp service
4. Indicator lamp system care

DANGER: Risk of injury by inadvertent startup of appliance and electrical shock.

First pull out the plug from the mains before carrying out any tasks on the machine.

Indicator Lamp "Ready For Use" Turns OFF

No line voltage, see "Appliance is not running".

Indicator Lamp Service

Indicator lamp service will be illuminated

Lack of oil

- Replenish oil.

1x blinking

Water shortage

- Check water supply, check connections.

Leak in the high pressure system

- Check high pressure system and connections for tightness.

2x blinking

Fault in the voltage supply or current pickup of the motor too high.

- Check main connections and mains fuse.
- Inform Customer Service

3x blinking

Motor overload/overheat

- Set the appliance switch to "0/OFF".
- Allow device to cool down.
- Turn on the appliance.

Error occurs repeatedly.

- Inform Customer Service

4x blinking

The exhaust temperature limiter has been triggered.

- Set the appliance switch to "0/OFF".
- Allow device to cool down.
- Turn on the appliance.

Error occurs repeatedly.

- Inform Customer Service

5x blink

Obstructed reed switch in the lack of water fuse or magnetic piston stuck.

- Inform Customer Service

Fuel Indicator Lamp Glows

Fuel tank empty.

- Refill fuel.

Indicator Lamp System Care Is Illuminated

System care container is empty.

- Refill system care.

Appliance Is Not Running

No power

- Check power connection/conduit.

Device Is Not Building Up Pressure

Air within the system

Vent pump:

- Set dosing value for detergent to "0".
- With open hand spray gun turn device on and off multiple times with the device switch.
- Open and close the pressure/quantity regulation at the pump unit with the hand spray gun open.

PREVENTIVE MAINTENANCE AND SERVICE

Note: By dismantling the high pressure hose from the high pressure connection the venting process is accelerated.

- Check connections and conduits.

Pressure is set to MIN

- Set pressure to MAX.

Sieve in the water connection is dirty

- Clean sieve.
- Clean the fine filter; replace it, if necessary.

Amount of water supply is too low.

- Check water supply level (refer to technical data).

Device Leaks, Water Drips From The Bottom Of The Device

- Pump leaky

Note: 3 drops/minute are allowed.

• With stronger leak, have device checked by customer service.

Device Turns On And Off While Hand Spray Gun Is Closed

Leak in the high pressure system

• Check high pressure system and connections for tightness.

Device Is Not Sucking In Detergent

Leave device running with open detergent dosage valve and closed water supply, until the swimmer tank is sucked empty and the pressure falls to "0".

- Open the water supply again.

If the pump still is not sucking in any detergent, it could be because of the following reasons:

- Filter in the detergent suck hose dirty
- Clean filter.
- Backflow valve stuck
- Remove the detergent hose and loosen the backflow valve using a blunt object.

Burner Does Not Start

Fuel tank empty

- Refill fuel.

Water shortage

- Check water supply, check connections.

Fuel filter dirty

- Change fuel filter

No ignition spark

• If device is in use and no ignition spark can be seen through the viewing glass, have device checked by customer service.

Set Temperature Is Not Achieved While Using Hot Water

Working pressure/flow rate too high

- Reduce working pressure/flow quantity at the pressure/volume regulator in the pump unit.

Sooty heating spiral

- Have device de-sooted by customer service.

CUSTOMER SERVICE

If malfunction can not be fixed, the device must be checked by customer service.

ACCESSORIES AND SPARE PARTS

Note: When connecting the appliance to a chimney or if the device cannot be accessed visually, we recommend the installation of a flame monitor (option).

Only use original accessories and spare parts, they ensure the safe and trouble-free operation of the device.

For information about accessories and spare parts, please visit www.kaercher.com.

TECHNICAL SPECIFICATIONS

MODEL		HDS 3.0/20-4 EA/EG	HDS 3.5/30-4 EA
SKU		1.109-153.0	1.109-155.0
MAIN SUPPLY			
VOLTAGE	V	208-230	230
CURRENT TYPE	Ph/Hz	1~ 60	1~ 60
CONNECTED LOAD	Hp	7	10
MAX. AMP	A	26	35
WATER CONNECTION			
MAX. INLET TEMPERATURE	°F (°C)	105 (40)	105 (40)
MIN. INLET FLOW	GPM (l/min)	5 (19)	5 (19)
SUCK HEIGHT FROM OPEN CONTAINER (68°F/20°C)	ft (m)	1.5 (0.5)	1.5 (0.5)
MAX. INLET PRESSURE	PSI (MPa)	90 (0.6)	90 (0.6)
PERFORMANCE DATA			
MAX. FLOW RATE	GPM (l/min)	3 (11.3)	3.5 (13.2)
OPERATING PRESSURE	PSI (MPa)	2000 (13.8)	3000 (20.7)
MAX. EXCESS OPERATING PRESSURE (SAFETY VALVE)	PSI (Mpa)	2600 (18)	3400 (23.4)
MAX. OPERATING TEMPERATURE OF HOT WATER	°F (°C)	190 (88)	190 (88)
DETERGENT SUCK IN	GPM (l/min)	0-0.11 (0-0.42)	0-0.15 (0-0.58)
BURNER PERFORMANCE	Hp (BTU/h)	88 (224000)	100 (254000)
MAXIMUM CONSUMPTION OF HEATING OIL	GPH (kg/h)	1.72 (5.5)	2.01 (6.5)
MAX. RECOIL FORCE OF TRIGGER GUN	N	31	45
SIZE OF STANDARD NOZZLE	-	042	040
FUEL			
FUEL TYPE	-	Diesel or Home Heating Oil	Diesel or Home Heating Oil
FUEL TANK VOLUME	gal (l)	9.8 (37.1)	9.8 (37.1)
FUEL NOZZLE	-	1.35x45W	1.50x45W
AMOUNT OF OIL	Gal (l)	0.26 (0.99)	0.26 (0.99)
OIL GRADE	-	SAE 0W 40	SAE 0W 40
DIMENSIONS AND WEIGHTS			
LENGTH X WIDTH X HEIGHT	in (mm)	46.4" x 28.4" x 38.3" (1177x720x972)	46.4" x 28.4" x 38.3" (1177x720x972)
SHIPPING WEIGHT	lbs (kg)	507 (230)	507 (230)
MACHINE WEIGHT	lbs (kg)	420 (190)	420 (190)

Présentation et Renseignements Importants	
Concernant la Sécurité	18-20
Symboles Sur L'appareil	20
Identification Des Composants	21
Zone De Commande	22
Dispositifs De Sécurité	23
Directives D'assemblage et D'installation	23-26
Maintenance et Service Préventifs	27-30
Caractéristiques Techniques	31

Numéro du modèle _____

Numéro de série _____

Date d'achat _____

Le numéro du modèle et le numéro de série se trouvent sur une étiquette apposée sur la laveuse à pression. Nous recommandons de noter le numéro de série et la date d'achat et de les conserver en lieu sûr pour référence ultérieure.

PRÉSENTATION ET RENSEIGNEMENTS IMPORTANTS CONCERNANT LA SÉCURITÉ

Nous vous remercions d'avoir acheté cette laveuse à pression.

Nous nous réservons le droit d'apporter des modifications en tout temps sans la moindre obligation.

Responsabilité du propriétaire et de l'utilisateur:

Le propriétaire et l'utilisateur doivent bien comprendre les instructions de fonctionnement du fabricant ainsi que les avertissements avant d'utiliser cette laveuse à pression. Il est primordial de bien comprendre les renseignements contenus dans les avertissements. Si l'opérateur ne parle pas couramment l'anglais, le propriétaire de la laveuse à pression devra lire et expliquer les instructions et les avertissements du fabricant à l'opérateur dans sa langue maternelle, en s'assurant qu'il comprend bien ces instructions et ces avertissements.

Le propriétaire et l'utilisateur doivent lire attentivement les instructions du fabricant et les conserver en lieu sûr pour référence ultérieure.

L'opérateur doit savoir comment arrêter rapidement la machine et comprendre le fonctionnement de toutes les commandes. Ne jamais autoriser une autre personne à mettre le moteur en marche sans les instructions appropriées.

CONSERVER CES INSTRUCTIONS.

Ce manuel doit être considéré comme étant une pièce permanente de la machine et devra être remis au nouveau propriétaire en cas de revente.

Au moment de commander des pièces, préciser le numéro de modèle et le numéro de série de la laveuse à pression. N'utiliser que des pièces de rechange identiques.

Cette machine doit être utilisée uniquement par des opérateurs formés.

RENSEIGNEMENTS IMPORTANTS CONCERNANT LA SÉCURITÉ



WARNING: Pour réduire le risque de blessures, lire attentivement les instructions de fonctionnement avant l'utilisation.

1. Lire attentivement le manuel de l'utilisateur. Le non-respect des instructions pourrait causer une défaillance de la machine et entraîner la mort, des blessures corporelles graves

et des dommages à la propriété.

2. Il est important de savoir comment arrêter rapidement la machine et abaisser la pression. Connaître à fond les commandes.
3. Faire preuve de vigilance — se concentrer sur le travail à faire..
4. Toutes les installations doivent être conformes aux codes locaux. Communiquer avec un électricien, un plombier, une entreprise de services publics ou le concessionnaire vendeur pour connaître les détails particuliers. Si la capacité nominale de la machine est de 250 volts ou moins et que la machine est monophasée, elle sera offerte avec un disjoncteur différentiel de fuite à la terre (DDFT). Si la capacité nominale est supérieure à 250 volts ou plus que monophasée, ce produit doit être uniquement connecté à une prise d'alimentation protégée par un DDFT.

DANGER : La connexion inappropriée du conducteur de mise à la terre de l'équipement peut entraîner un risque d'électrocution. Vérifier auprès d'un électricien qualifié ou du personnel d'entretien si vous avez des doutes quant à savoir si la sortie est correctement mise à la masse. Ne pas modifier la fiche fournie avec le produit - si elle n'entre pas dans la sortie, faire installer une sortie appropriée par un électricien qualifié. Ne jamais utiliser un adaptateur avec ce produit.



AVERTISSEMENT : Garder la lance, le boyau et le jet d'eau à l'écart de tout câblage électrique ou des chocs électriques mortels pourraient survenir.

5. Pour protéger l'opérateur contre le risque de décharge électrique, la machine doit être mise à la terre. Il incombe au propriétaire de raccorder cette

machine à une prise UL mise à la terre de tension et d'intensité de courant nominales. Ne pas vaporiser de l'eau sur ou à proximité des composants électriques. Ne pas toucher la machine avec les mains mouillées ou en se tenant debout dans l'eau. Toujours débrancher l'alimentation avant d'effectuer des opérations d'entretien.



AVERTISSEMENT: Des liquides inflammables peuvent produire des vapeurs qui peuvent s'enflammer, causant ainsi des dommages à la propriété ou des blessures graves.

AVERTISSEMENT: Risque d'explosion – utiliser uniquement dans des endroits où l'utilisation d'une flamme nue ou d'une torche est permise.

RENSEIGNEMENTS IMPORTANTS CONCERNANT LA SÉCURITÉ

6. Utilisez uniquement du mazout, ou du diesel. Il est recommandé d'utiliser un désodorisant diable rouge avec chaque réservoir pour réduire l'accumulation de suie sur le serpentin de chauffage.



AVERTISSEMENT: Risque d'incendie – ne pas ajouter de carburant pendant que la machine fonctionne ou est encore chaude.

AVERTISSEMENT : Ne pas utiliser de carburant, de drainage du carter de moteur ou de carburant contenant de l'huile, de solvants ou de l'alcool. Cela risquerait de causer un incendie et une explosion.

7. Les appareils au carburant doivent être installés dans un endroit exempts de poussières combustibles et de gaz ou de vapeurs inflammables. Ne pas stocker ni utiliser de carburant à proximité de cette machine.
8. Ne pas laisser de liquides acides, caustiques ou abrasifs passer dans la pompe.
9. Ne jamais faire fonctionner la pompe à sec ni laisser le pistolet pulvérisateur fermé pendant plus d'une à deux minutes.
10. S'assurer de placer l'équipement dans un endroit isolé.



AVERTISSEMENT: Un jet haute pression peut écailler la peinture ou provoquer l'émission d'autres particules dans l'air et leur projection à hautes vitesses. Afin d'éviter des blessures personnelles, des dispositifs de sécurité pour les yeux, les mains et les pieds doivent être portés.

11. Une protection pour les yeux, les mains et les pieds doit être portée lorsque cet équipement est utilisé.



AVERTISSEMENT : Cette machine excède 85 dB et une protection de l'ouïe appropriée doit être portée.



AVERTISSEMENT: Liquide de décharge chaud. Ne pas toucher ou décharger directement le jet vers des personnes ou des animaux, car cela risquerait de causer des blessures graves ou même la mort.



AVERTISSEMENT: Risque de blessures. Les surfaces chaudes peuvent causer des brûlures. Utiliser uniquement les zones de prise désignées du pistolet pulvérisateur et de la lance. Ne pas placer les mains ou les pieds sur des endroits non isolés de la laveuse à pression.

12. Pour réduire le risque de blessures, une surveillance étroite doit être exercée lorsqu'un appareil est utilisé à proximité d'enfants. Ne pas laisser les enfants utiliser la laveuse à pression. **La présence d'une personne est exigée pendant le fonctionnement de cette machine.**



AVERTISSEMENT: Agripper la lance de nettoyage avec les deux mains avant de commencer. Le non-respect de cette consigne pourrait mener à des blessures causées par le mouvement violent de la lance.

13. Ne jamais effectuer des réglages sur la machine pendant son fonctionnement.

14. S'assurer que tous les raccords rapides sont sécurisés avant d'utiliser la laveuse à pression.



AVERTISSEMENT : La haute pression générée par ces machines causera des lésions corporelles ou des dommages à l'équipement. Se tenir à l'écart de la buse. Faire preuve de prudence lors de l'utilisation. Ne pas décharger directement le jet vers des gens, cela pourrait causer des blessures graves voire la mort.

RENSEIGNEMENTS IMPORTANTS CONCERNANT LA SÉCURITÉ

AVERTISSEMENT



PROTÉGER LA MACHINE
CONTRE LE GEL

AVERTISSEMENT: Protéger la machine contre le gel.

15. Pour maintenir la machine dans les meilleures conditions de fonctionnement, il est important de la protéger contre le gel. Si la machine n'est pas protégée contre le gel, cela pourrait causer une défaillance de la machine et entraîner la mort, des blessures corporelles graves et des dommages à la propriété. Suivre les instructions de remisage précisées dans ce manuel.

16. L'arrivée d'eau doit être de l'eau propre et fraîche dont la température est inférieure à 32 °C (90 °F).

AVERTISSEMENT



RISQUE D'ASPHYXIE :
UTILISER CE PRODUIT
UNIQUEMENT DANS UN
ENDROIT BIEN VENTILÉ.

AVERTISSEMENT: Risque d'asphyxie. Utiliser ce produit uniquement dans un endroit bien ventilé.

17. Éviter d'installer les machines dans de petits espaces ou à proximité des ventilateurs d'extraction. Une quantité d'oxygène suffisante est nécessaire à la combustion

afin d'éviter toute accumulation de concentrations de monoxyde de carbone dangereuses.

18. Le fabricant ne sera pas tenu responsable des modifications apportées à ses machines standards ni des composants qui n'auront pas été achetés chez lui.

19. La meilleure assurance contre un accident est les précautions et les connaissances de la machine.

AVERTISSEMENT



RISQUE DE BLESSURES
EN TOMBANT D'UNE
CHELLE

AVERTISSEMENT : Faire preuve d'une extrême prudence au moment d'utiliser une échelle, des échafaudages ou toute autre surface relativement instable. La zone de nettoyage doit avoir une pente et un drainage adéquats pour réduire la possibilité d'une chute due à une surface glissante.

20. Ne pas se pencher trop en avant ou se tenir sur un support instable. Toujours garder une position stable et sûre.

21. Ne pas utiliser cette machine en cas de fatigue ou sous l'influence de l'alcool, de médicaments d'ordonnance ou de drogues.

AVERTISSEMENT

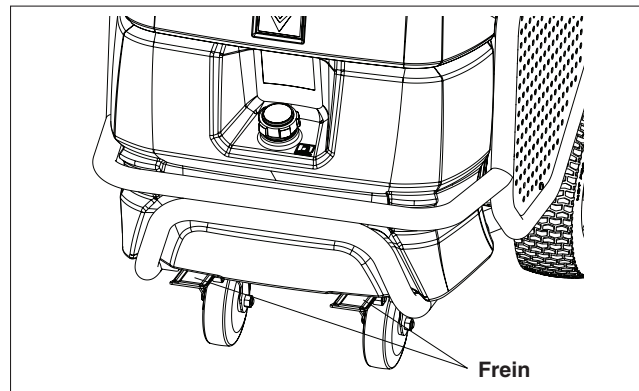


NE PAS VAPORISER SUR
LA MACHINE OU LES
GENS, LES ANIMAUX OU
LES PIÈCES ÉLECTRIQUES

AVERTISSEMENT: Ne pas vaporiser sur la machine ou les gens, les animaux ou les pièces électriques.



Suivre les instructions d'entretien spécifiées dans le manuel.



AVERTISSEMENT: Pour prévenir les dommages ou les blessures. Garder le frein appliqué pendant le fonctionnement et l'entreposage de la machine.

Si la machine est utilisée sur une pente supérieure à 15 °, utilisez des blocs supplémentaires pour arrêter les roues et éviter de glisser.

SYMBOLES SUR L'APPAREIL

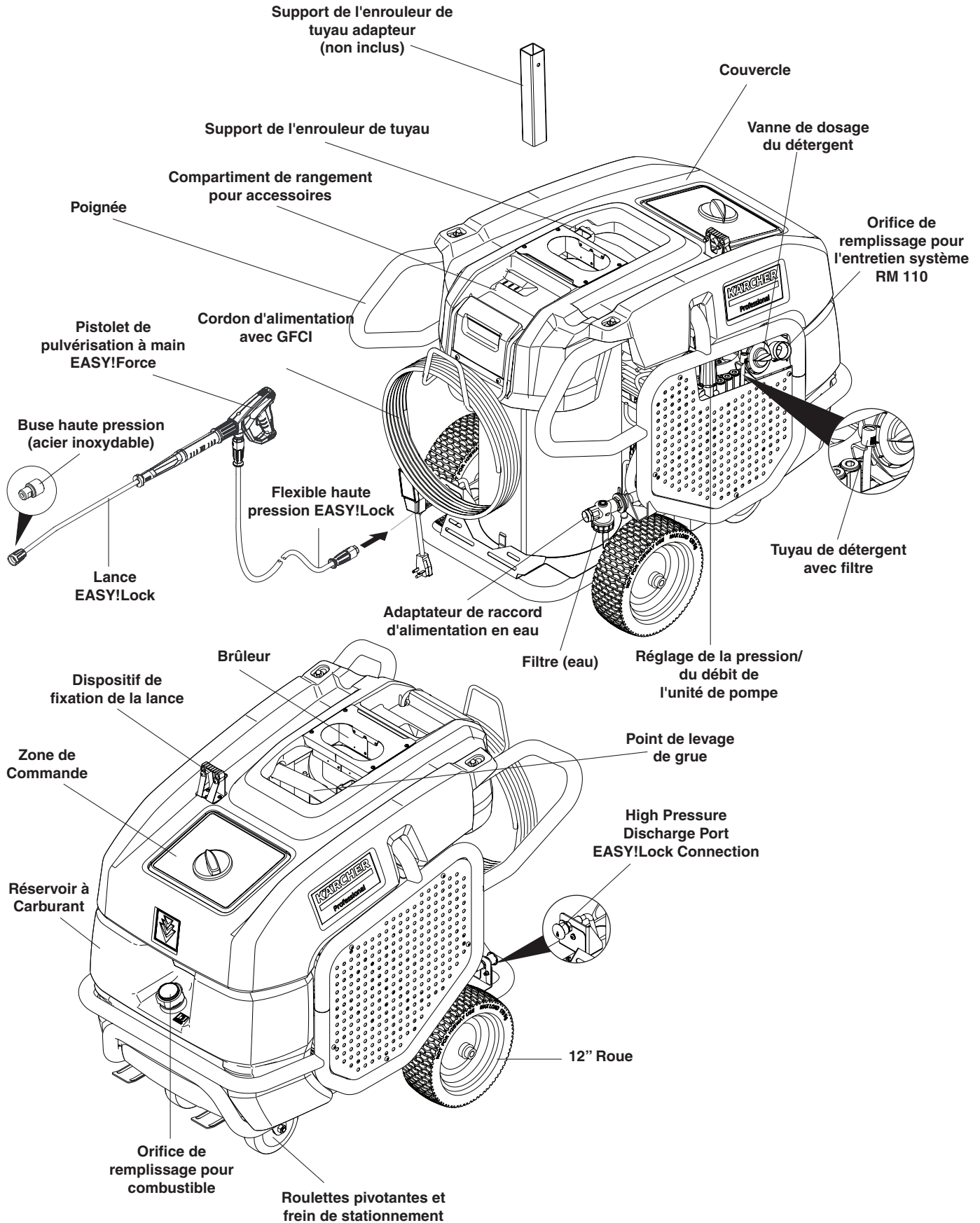


Danger lié à la tension électrique! Seul les électriciens spécialisés ou le personnel autorisé sont habilités à réaliser des travaux sur des composants de l'appareil.

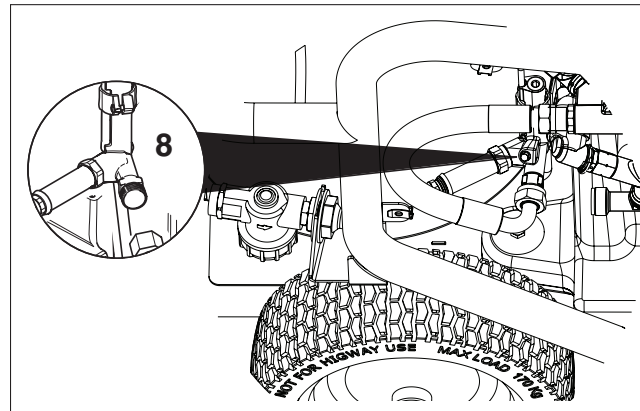
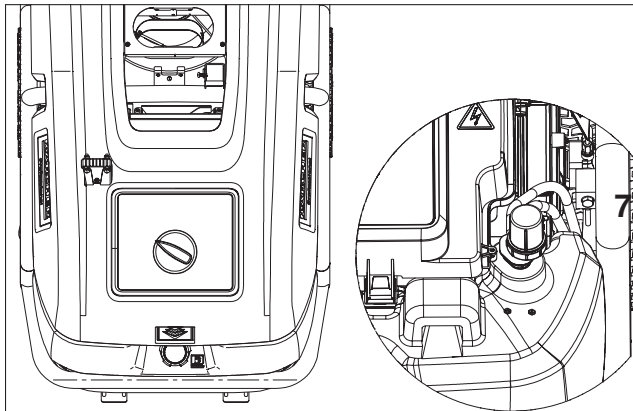
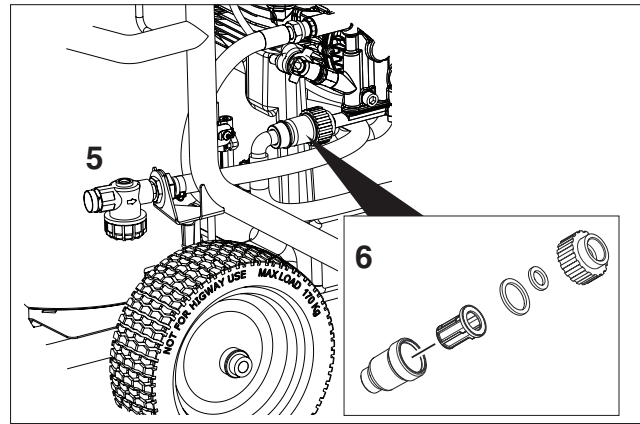
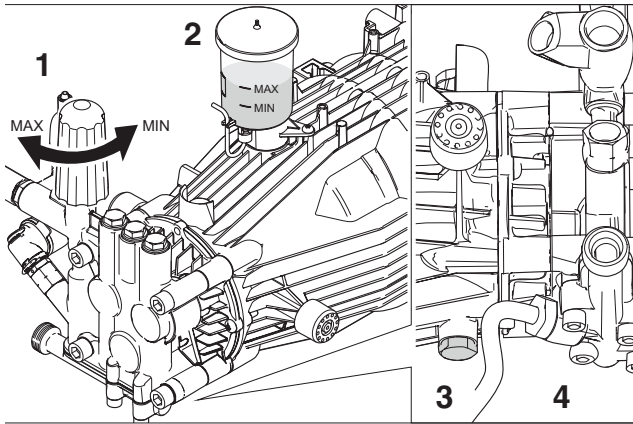


Risque de brûlure provoqué par les pièces chaudes de l'installation!

IDENTIFICATION DES COMPOSANTS



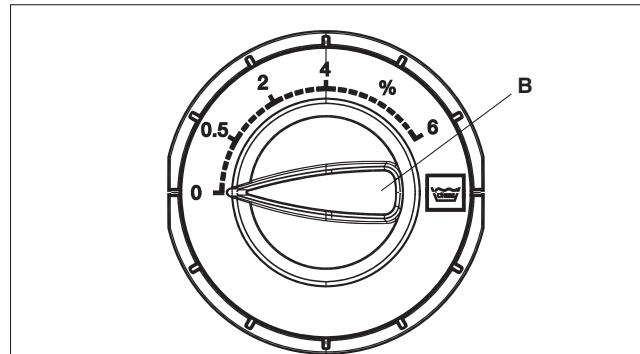
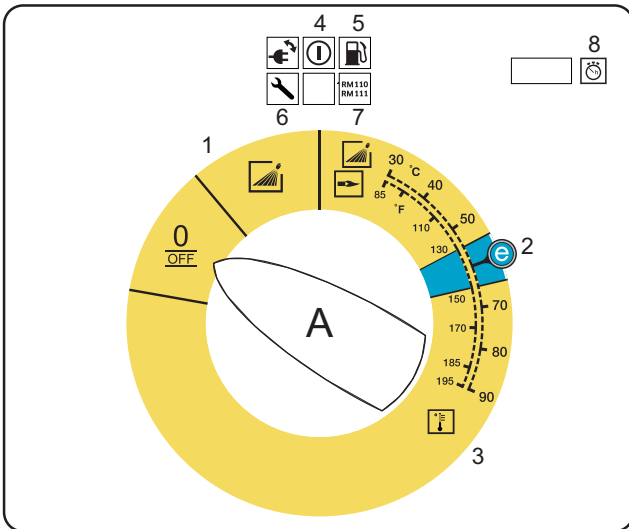
IDENTIFICATION DES COMPOSANTS



1. Réglage de la pression/ du débit de l'unité de pompe
2. Réservoir d'huile
3. Bouchon de vidange d'huile
4. Soupape anti-retour de l'aspiration de détergent

5. Filtre d'entrée d'eau
6. Filtre fin (eau)
7. Filtre de combustible
8. Protection contre le manque d'eau

ZONE DE COMMANDE



- A. Interrupteur principal.
- B. Vanne de dosage du détergent.
1. Mode de fonctionnement: Fonctionnement avec de l'eau froide.

2. Mode de fonctionnement: Niveau Eco, eau chaude max. 140°F/60°C.
3. Mode de fonctionnement: Fonctionnement avec de l'eau chaude (max. 195°F/90°C).
4. Témoin de contrôle d'état de service.
5. Témoin de contrôle Combustible.
6. Lampe témoin service.
7. Lampe témoin soin système.
8. Compteur horaire.

DISPOSITIFS DE SÉCURITÉ

Les dispositifs de sécurité ont pour but de protéger l'utilisateur. Par conséquent, ils ne doivent en aucun cas être désactivés ou transformés.

Clapet de décharge doté de deux pressostats

En cas de réduction du débit d'eau au niveau de la tête de la pompe ou avec le réglage de la servopresse, la clapet de décharge s'ouvre et une partie de l'eau est évacuée vers le côté aspiration de la pompe.

Si la poignée-pistolet est fermée, de sorte que toute l'eau retourne vers le côté aspiration de la pompe, le pressostat du clapet de décharge désactive la pompe.

Si la poignée-pistolet est de nouveau ouverte, le pressostat de la culasse réactive la pompe.

Le clapet de décharge est réglé et plombé d'usine. Seul le service après-vente est autorisé à effectuer le réglage.

Soupape de sûreté

La soupape de sûreté s'ouvre lorsque le clapet de décharge ou le pressostat est défectueux.

La soupape de sûreté est réglée et plombée d'usine. Seul le service après-vente est autorisé à effectuer le réglage.

Dispositif de sécurité en cas de manque d'eau

Le dispositif de sécurité en cas de manque d'eau permet d'éviter que le brûleur se mette en marche lorsque la quantité d'eau est insuffisante et protège par conséquent le chauffe-eau instantané contre la surchauffe.

La sécurité contre le manque d'eau étant un composant de sécurité, elle est plombée au niveau de la vis de fermeture.

La sécurité contre l'absence d'eau agit immédiatement.

Elle coupe immédiatement le brûleur en cas de quantité d'eau insuffisante et le remet en marche lorsque la quantité d'eau redevient suffisante.

La protection contre la marche à sec réagit lorsque la sécurité contre l'absence d'eau signale pendant 2 minutes une quantité d'eau insuffisante. L'appareil se coupe avec un message d'erreur et se verrouille.

L'appareil ne peut être remis en service que par la mise en et hors marche à l'aide de l'interrupteur de programme.

Limiteur de la température de tuyère

Le limiteur de la température de tuyère arrête l'appareil en attendant une température très haute de tuyère.

DIRECTIVES D'ASSEMBLAGE ET D'INSTALLATION

ASSEMBLAGE

Déballage

Déballer avec soin. Porter des lunettes de sécurité ou des lunettes protectrices pendant le déballage, l'assemblage ou l'utilisation de la laveuse à pression. Si des composants sont manquants ou en présence de dommages cachés, contacter immédiatement le distributeur ou le transporteur concernant ces manquements.

1. Couper la bande de cerclage de la laveuse à pression et de la palette.
2. Retirer la laveuse à pression de la palette.

Parties incluses

- Laveuse à pression
- Tuyau à pression
- Pistolet pulvérisateur
- Lance
- Instructions de fonctionnement.

La laveuse à pression doit être utilisée sur une surface plane qui n'est pas sous l'influence immédiate de sources extérieures comme des vents violents, des températures glaciales, la pluie, etc. La laveuse à pression doit se trouver dans un endroit permettant d'assurer l'accès facile au remplissage des fluides, aux ajustements et aux opérations d'entretien. L'opérateur doit prendre les précautions normales afin d'empêcher l'humidité d'atteindre la laveuse à pression. Il est recommandé d'installer une cloison entre la zone de lavage et la laveuse à pression afin d'empêcher que la pulvérisation directe provenant de la lance d'entrer en contact avec la laveuse à pression. L'humidité atteignant l'équipement réduira la durée de vie de la laveuse à pression. Les installations doivent être conformes aux codes locaux couvrant de telles installations.

Ventilation

MISE EN GARDE : Toute la ventilation doit être conforme aux lois fédérales et de l'État ou de la province, et aux réglementations locales applicables. Consulter des entrepreneurs en systèmes de chauffage locaux.

Si la laveuse à pression doit être utilisée dans un endroit clos, un conduit doit être installé pour ventiler l'évacuation du brûleur à l'extérieur. Les gaz d'évacuation ne doivent pas être ventilés dans un mur, un plafond ou un espace caché d'un bâtiment. S'assurer que la taille du conduit est la même que celle du conduit d'évacuation du brûleur sur le couvercle de la laveuse à pression. Une circulation d'air insuffisante peut entraîner l'accumulation de suie ou le mauvais fonctionnement de la laveuse à pression. Lors du choix du lieu d'installation, il est important de savoir que les ventilateurs extracteurs peuvent causer une insuffisance

INSTALLATION

Démarrage

IMPORTANT: Une installation initiale correcte de l'équipement assurera une performance plus satisfaisante, une durée de vie plus longue et un plus faible coût d'entretien.

AVERTISSEMENT: Si une connexion est établie avec un réseau d'eau potable, le réseau doit être protégé contre le retour d'eau.

DIRECTIVES D'ASSEMBLAGE ET D'INSTALLATION

d'approvisionnement en oxygène dans des espaces dont l'aération est insuffisante. Une bonne combustion peut uniquement être obtenue lorsque l'approvisionnement en oxygène est suffisant par rapport au volume de carburant brûlé. Si la machine doit être installée dans un espace où l'aération est insuffisante, il peut s'avérer nécessaire d'acheminer de l'air extérieur au moyen d'un conduit vers le brûleur et d'installer un ventilateur pour un apport d'air suffisant dans la machine. Installer la laveuse à pression de façon à ce que le conduit soit aussi droit que possible et s'élève du toit à une bonne hauteur et une bonne position pour fournir une circulation d'air appropriée.

Remarque: Ce produit est étiqueté pour une utilisation en extérieur uniquement et doit être utilisé à l'extérieur. Il n'est pas recommandé de fonctionner à l'intérieur. Si sous certaines conditions qui font il est impossible de fonctionner à l'extérieur, vous pouvez utiliser à l'intérieur en utilisant une hotte ou une ventilation. La ventilation peut causer restriction du débit d'air à travers la chambre de combustion provoquant une suie excessive. Utilisez une taille de ventilation plus grande que le cheminée d'échappement pour éviter toute restriction et contacter le revendeur local pour régler le mélange d'air après installation de ventilation.

Monter pistolet pulvérisateur à main, lance, buse et flexible haute pression

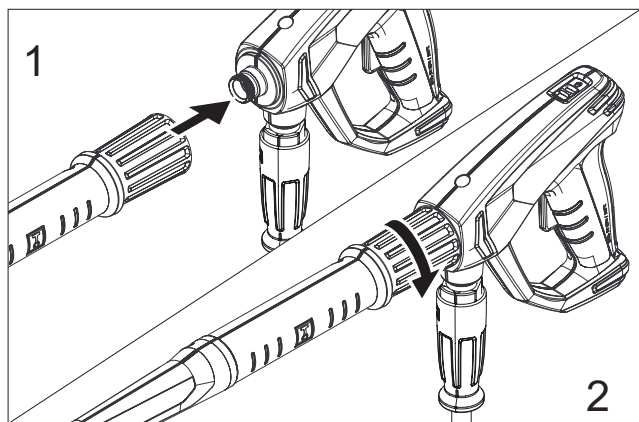
Remarque: Le système EASY!Lock relie les composants au moyen d'un filetage rapide et fiable avec une seule rotation.

Relier le tube d'acier au pistolet à main et serrer à la main (EASY!Lock).

Brancher la buse haute pression au tube d'acier.

Monter l'écrou-raccord et le serrer à la main (EASY! Lock).

Relier le flexible haute pression au pistolet à main et au flexible haute pression de l'appareil et serrer à la main (EASY!Lock).



IMPORTANT: Si la laveuse à pression n'a pas été mise en application pendant une période prolongée, retirer la buse de l'extrémité de la lance, puis ouvrir l'alimentation en eau. Laisser l'eau couler à l'extrémité de la lance jusqu'à ce qu'elle soit claire.

IMPORTANT: Le pistolet à gâchette fourni avec la laveuse à pression est équipé d'un blocage de la gâchette pour prévenir le fonctionnement accidentel du pistolet à gâchette. Le blocage de la gâchette doit être utilisé lorsque le pistolet à gâchette n'est pas utilisé.

Ouvrir/fermer le pistolet de pulvérisation à main

Ouvrir le pistolet de pulvérisation à main : Actionner le levier de sécurité et le levier de départ.

Fermer le pistolet de pulvérisation à main. Relâcher le levier de sécurité et le levier de départ.

Remplacer la buse

DANGER: Risque de blessure! Mettre l'appareil hors service et actionner la poignée-pistolet jusqu'à ce que l'appareil soit hors pression avant de procéder au remplacement de la buse.

Sécuriser le pistolet de pulvérisation à main en poussant le loquet de sécurité vers l'avant. Remplacer la buse.

Connexions électriques

AVERTISSEMENT: S'assurer que tous les commutateurs et toutes les commandes se trouvent en position OFF (arrêt) avant de brancher l'appareil.

AVERTISSEMENT: Utiliser des conducteurs en cuivre seulement.

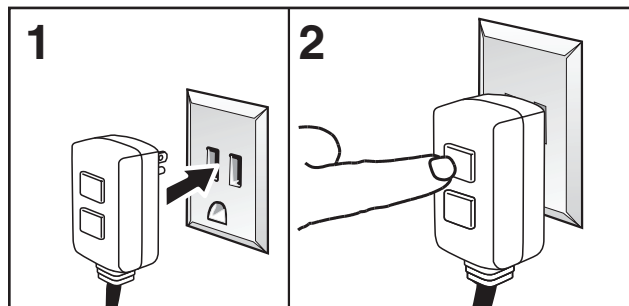
MISE EN GARDE: Cette laveuse à pression est équipée d'un cordon d'alimentation de disjoncteur différentiel de fuite à la terre (DDFT) approuvé par l'UL. Utiliser des prises de type UL mises à la masse de tension et d'intensité de courant nominales appropriées. Lorsqu'une prise correctement mise à la masse n'est pas disponible, il incombe au propriétaire d'en faire installer une. Toujours débrancher l'alimentation avant d'effectuer des opérations d'entretien sur la laveuse à pression.

Disjoncteur différentiel

ETAPE 1: Brancher le disjoncteur différentiel dans une prise alimentée.

ETAPE 2: Appuyer d'abord sur «TEST», puis sur «RESET» pour assurer le branchement correct au secteur.

Remarque: L'apparence effective du disjoncteur différentiel peut différer de l'illustration.



DIRECTIVES D'ASSEMBLAGE ET D'INSTALLATION

Remplissage du combustible

DANGER: Risque d'explosion ! N'utiliser que du gazole ou du fuel léger. Il est interdit d'utiliser des combustibles non appropriés, tels que l'essence.

NE PAS UTILISER DE L'ESSENCE, DES RÉSIDUS D'HUILE À MOTEUR OU DU CARBURANT USÉ.

ATTENTION: Risque d'endommagement ! Ne jamais utiliser l'appareil lorsque le réservoir à combustible est vide sous peine d'endommager la pompe à combustible.

- Remplissage du combustible.
- Fermer le couvercle du réservoir.
- Essuyer le combustible ayant éventuellement débordé.

Arrivée d'eau

Pour les valeurs de raccordement, se reporter à la section Caractéristiques techniques. Raccorder le flexible d'alimentation diamètre minimal de 3/4" à l'aide de l'adaptateur de raccord d'alimentation en eau au raccord d'eau de l'appareil.

Le robinet d'eau et le tuyau d'alimentation en eau doivent pouvoir fournir 5,0 gallons par minute.

Ne jamais aspirer d'eau contaminée par des solvants, par exemple des diluants pour peinture, de l'essence, de l'huile, etc.

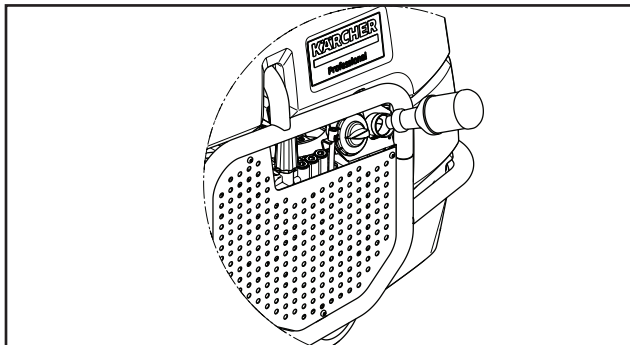
Toujours utiliser une source d'eau propre afin d'éviter toute infiltration de débris dans l'appareil. Utiliser un filtre à eau supplémentaire.

Pump et coil protectant (RM110)

Pump Et Coil Protectant (RM110) enraye l'entartrage du serpentin de chauffage avec une forte efficacité en cas d'utilisation d'eau du robinet calcaire. Il est ajouté goutte-à-goutte à l'alimentation dans le réservoir à flotteur.

Le dosage est effectué d'usine pour obtenir une dureté d'eau moyenne.

- Remplir l'entretien système.



Remarque: Commandez en caisse de 12 bouteilles, en utilisant la pièce # 8.698-058.0.

MISE EN SERVICE

Avant le démarrage:



1. ARRÊT! Lire tous les manuels fournis avec la laveuse à pression. Se familiariser avec l'emplacement et le fonctionnement de toutes les commandes de fonctionnement et de sécurités.

2. Raccorder le tuyau d'alimentation en eau au connecteur du boyau d'arrosage standard et ouvrez l'eau.

3. Vérifiez les niveaux d'huile du réservoir de carburant et de la pompe.

4. Relier le flexible haute pression au pistolet à main et au flexible haute pression de l'appareil et serrer à la main (EASY!Lock). Fixez le pistolet de pulvérisation, la lance et la buse.

5. Branchez le cordon d'alimentation dans la prise électrique appropriée. Appuyez sur le bouton de réinitialisation DDFT.

6. Tenir le pistolet fermement, appuyer sur la gâchette du pistolet à gâchette, puis mettre le commutateur de la pompe en position ON (marche). Permettre la purge de l'air du système.

7. Mettre l'interrupteur principal sur le mode de fonctionnement souhaité. Le témoin de contrôle d'état de service s'allume.

L'appareil se met en marche pendant une courte durée puis s'arrête dès que la pression de service est atteinte.

Enlever la sécurité du pistolet de pulvérisation à main en poussant le loquet de sécurité vers l'arrière.

Dès que la poignée-pistolet est actionnée, l'appareil se remet en marche.

Régler la température de nettoyage

Régler l'interrupteur principal sur la température souhaitée.

86 °F/30 °C to 194 °F/90 °C

Nettoyer à l'eau chaude.

Régler la pression de service et le débit

Réglage de la pression/ du débit de l'unité de pompe

Tourner la tige de réglage dans le sens des aiguilles d'une montre : augmentation de la pression de service (MAX).

Tourner la tige de réglage dans le sens inverse des aiguilles d'une montre : réduction de la pression de service (MIN).

DIRECTIVES D'ASSEMBLAGE ET D'INSTALLATION

Fonctionnement avec détergent

Respecter l'environnement en utilisant le détergent avec parcimonie.

A l'aide de la vanne de dosage du détergent, régler la concentration du détergent conformément aux prescriptions du fabricant.

Nettoyage

Adapter la pression/la température et la concentration de détergent en fonction de la surface à nettoyer.

Remarque: Toujours diriger le jet haute pression sur l'objet tout d'abord à bonne distance afin d'éviter tout dommage provoqué par une pression trop élevée.

Méthode de nettoyage conseillée

Dissoudre la saleté:

- Pulvériser le détergent avec parcimonie puis le laisser agir entre 1 et 5 minutes sans toutefois le laisser sécher.

Éliminer la saleté:

- Retirer les saletés dissoutes au moyen du jet haute pression.

Utilisation avec de l'eau froide

Élimination de salissures légères et rinçage à l'eau claire, ex.: appareils de jardinage, terrasse, outils, etc.

Régler la pression de service en fonction des besoins.

Niveau ECO

L'appareil fonctionne dans la plage de température économique (140 °F/60 °C maxi).

Utilisation avec de l'eau chaude

DANGER: Risque de brûlure!

Régler l'interrupteur principal sur la température souhaitée. Nous recommandons les températures de nettoyage suivantes:

Salissures légères

86 °F/30 °C-122 °F/50 °C

Salissures albuminées, par ex. dans l'industrie alimentaire

max. 140 °F/60 °C

Nettoyage de véhicules, de machines

140 °F/60 °C-194 °F/90 °C

Mise hors service de l'appareil

DANGER: Risque de brûlure provoquée par l'eau chaude ! Après l'utilisation de l'appareil avec de l'eau chaude ou de la vapeur, ce dernier doit être actionné, pistolet ouvert, au minimum deux minutes avec de l'eau froide afin de le faire refroidir.

If detergents were used, draw clear water through the detergent line to purge detergent.

- Shut off water supply.
- Couper l'alimentation en eau.
- Ouvrir le pistolet manuel.
- Activer la pompe à l'aide de l'interrupteur principal et laisser tourner 5 à 10 secondes.
- Fermer la poignée-pistolet.
- Positionner l'interrupteur sur "0/OFF".
- En veillant à avoir les mains bien sèches, débrancher la fiche secteur.
- Déconnecter l'arrivée d'eau.
- Actionner la poignée-pistolet jusqu'à ce que l'appareil soit hors pression.
- Sécuriser le pistolet de pulvérisation à main en poussant le loquet de sécurité vers l'avant.

REMISAGE

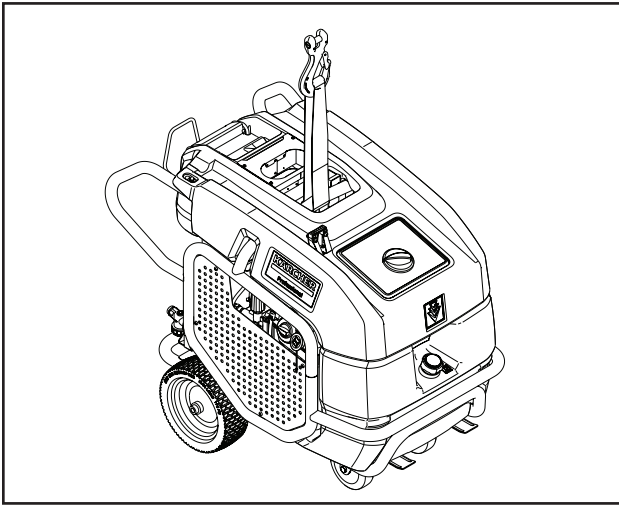
Protéger contre le gel en remisant dans un endroit chauffé ou en rinçant le système avec de l'antigel (utiliser un antigel pour moteur automobile ou du liquide lave-glace). Pour rincer le système avec de l'antigel, fixer un tuyau court au connecteur de tuyau d'arrosage qui se trouve sur la pompe. Placer l'autre extrémité du tuyau dans le contenant d'antigel. Démarrer la machine, puis la laisser fonctionner jusqu'à ce que de l'antigel s'écoule à l'extrémité de la lance. Appuyer sur la gâchette du pistolet à gâchette, puis la relâcher, et ce à plusieurs reprises pour rincer le système du dispositif de marche à vide avec de l'antigel. Aspirer également de l'antigel dans la conduite d'aspiration de détergent pour rincer à l'antigel le système du détergent. Pour une protection accrue après avoir rincé à l'antigel, débrancher le tuyau à pression de la machine. Une fois le serpentin vidangé, remettre en place le tuyau à pression. Si la laveuse à pression doit rester inutilisée pendant une période prolongée, il est recommandé de rincer le système avec de l'antigel pour le protéger contre la rouille.

- Enclencher la lance dans le dispositif de fixation situé sur le capot de l'appareil.
- Enrouler le flexible haute pression et le câble électrique et les placer dans les dispositifs de fixation prévus à cet effet.

Remarque: Ne pas plier le flexible haute pression ni le câble électrique.

MAINTENANCE ET SERVICE PRÉVENTIFS

TRANSPORT



ATTENTION: Suggestion de soulever l'appareil avec une grue à l'aide d'une élingue. Risque de dommage! Il n'est pas recommandé de charger l'appareil avec un chariot élévateur.

PRÉCAUTION: Risque de blessure et d'endommagement! Respecter le poids de l'appareil lors du transport.

Sécuriser l'appareil contre les glissements ou les basculements selon les directives en vigueur lors du transport dans des véhicules.

ATTENTION: Protéger l'accessoires (pistolet de pulvérisation, lance et l'enrouleur de tuyau) contre tout endommagement lors de son transport. Il n'est pas recommandé de transporter avec des accessoires montés sur l'appareil.

MAINTENANCE

AVERTISSEMENT: Une modification non autorisée de la machine ou l'utilisation de pièces de rechange non approuvées peut causer des lésions corporelles et/ou des dommages à la propriété, et annulera la garantie du fabricant.

DANGER: Risque de blessure et de choc électrique par un démarrage inopiné de l'appareil. Avant d'effectuer des travaux sur l'appareil, couper l'interrupteur principal et débrancher la fiche secteur.

FRÉQUENCE DE MAINTENANCE

Hebdomadairement

- Nettoyer le tamis de l'arrivée d'eau.
- Nettoyer le filtre fin.
- Nettoyer le tamis de combustible.
- Vérifier le niveau d'huile

ATTENTION: Risque d'endommagement ! Si l'huile prend une apparence laiteuse, contacter immédiatement le service après-vente de Kärcher.

Mensuellement

- Nettoyer le filtre situé sur le tuyau d'aspiration de détergent.

Toutes les 500 heures de service, au moins une fois par an

- Remplacer l'huile.
- Faire effectuer la maintenance de l'appareil par le service après-vente.

TRAVAUX DE MAINTENANCE

Nettoyer le tamis de l'arrivée d'eau

- Déposer le tamis.
- Nettoyer le tamis dans l'eau puis le remettre en place.

Nettoyage du filtre fin

- Unpressurize the appliance.
- Mettre l'appareil hors pression.
- Dévisser le filtre de précision sur la tête de la pompe.
- Démontez le filtre de précision et retirez la cartouche filtrante.
- Nettoyer la cartouche filtrante à l'eau propre ou à l'air comprimé.
- Remonter en suivant les étapes dans l'ordre inverse.

Nettoyer le filtre situé sur le tuyau d'aspiration de détergent

- Retirer les tubulures d'aspiration de détergent.
- Nettoyer le filtre dans l'eau puis le remettre en place.

Remplacer l'huile.

- Préparer un récipient de récupération pouvant contenir environ 0.26 gal/1 litre d'huile.
- Desserrer la visse de vidange.

Éliminer l'huile usagée en respectant l'environnement ou l'apporter à un centre de collecte.

- Revisser la vis de vidange.
- Remplir doucement le réservoir d'huile jusqu'au repère MAX

Remarque: Les bulles d'air doivent pouvoir s'échapper.
Pour les types d'huile et les quantités de remplissage, se reporter à la section Caractéristiques techniques.

MAINTENANCE ET SERVICE PRÉVENTIFS

Entretien approprié de la pompe

- **NE PAS** pomper des acides.
- **NE PAS** permettre à la pompe de fonctionner à sec.
- Préparer la machine pour l'hiver si elle est remise dans des températures glaciales.
- Installer un adoucisseur d'eau sur le circuit d'eau s'il est reconnu que son contenu en minéraux est élevé.
- Utiliser uniquement des détergents de haute qualité et suivre les recommandations de mélange indiquées par le fabricant.
- Rincer le système à l'eau claire immédiatement après avoir utilisé des solutions de détergent.
- Nettoyer périodiquement la crépine du filtre sur la conduite d'aspiration de détergent.
- Rincer le système de la laveuse à pression avec de l'antigel si elle est remise pendant une période prolongée.

Soupape du dispositif de marche à vide

AVERTISSEMENT: La soupape du dispositif de marche à vide sur cette laveuse à pression a été réglée en usine, puis scellée, et est une pièce non réglable. L'altération du paramètre de l'usine pourrait causer des lésions corporelles et/ou des dommages à la propriété, et annulera la garantie du fabricant.

Filtre à carburant du brûleur

Vider toute eau qui s'est accumulée dans le filtre à carburant, puis nettoyer ou remplacer l'élément au besoin.

Serpentin de chauffage

Détartrage du serpentin: dans les régions où l'eau est dure, du tartre s'accumulera sur le serpentin de chauffage. Des dépôts de tartre réduira l'augmentation de la température de l'eau et peut éventuellement boucher le serpentin de chauffage. Contacter le centre de service local s'il s'avère nécessaire de procéder à un détartrage.

Élimination de la suie sur le serpentin: du mazout de mauvaise qualité ou un apport d'air insuffisant pour la combustion causera une accumulation importante de suie sur la surface extérieure du serpentin de chauffage. Ces dépôts isoleront le serpentin. Cela limitera l'apport d'air dans le serpentin, aggravant ainsi encore davantage l'accumulation de suie. Contacter le centre de service local s'il s'avère nécessaire d'éliminer la suie.

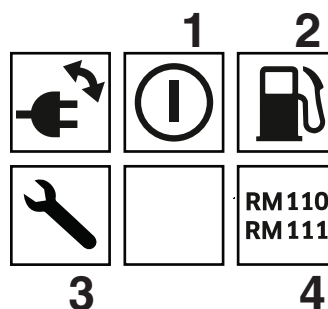
Soupape de décharge

AVERTISSEMENT: La soupape de décharge sur cette laveuse à pression a été réglée en usine, puis scellée, et est une pièce non réglable. L'altération du paramètre de l'usine pourrait causer des lésions corporelles et/ou des dommages à la propriété, et annulera la garantie du fabricant.

Si la pression de la pompe ou la dilatation thermique dépasse les limites de sécurité, la soupape de décharge s'ouvrira, permettant la décharge de la haute pression au sol à travers le tuyau.

Mise en garde : inspecter la soupape de décharge une fois par année pour vérifier l'absence d'obstruction.

DÉPANNAGE



1. Témoin de contrôle d'état de service
2. Témoin de contrôle Combustible
3. Lampe témoin service
4. Lampe témoin soin système

DANGER: Risque de blessure et de choc électrique par un démarrage inopiné de l'appareil.

Avant d'effectuer tout type de travaux sur l'appareil, le mettre hors service et débrancher la fiche électrique.

Le témoin de contrôle d'état de service s'éteint

Absence de tension secteur, voir "L'appareil ne fonctionne pas".

Indicator lamp service

Le témoin de contrôle service est allumé

- Manque d'huile
- Verser l'huile.

MAINTENANCE ET SERVICE PRÉVENTIFS

1x clignotement

Manque d'eau

• Contrôler le raccord d'eau, contrôler les conduites d'alimentation

- Présence d'une fuite dans le système haute pression

2x clignotement

Erreur dans l'alimentation en tension ou consommation de courant trop importante du moteur.

- Vérifier l'alimentation électrique et les fusibles.
- Informer le service après-vente.

3x clignotement

Moteur overload/overheat

- Le moteur est excessivement sollicité/en surchauffe
- Positionner l'interrupteur sur '0/OFF'.
- Laisser refroidir l'appareil.

Allumer l'appareil.

- Le défaut se reproduit.
- Informer le service après-vente.

4x clignotement

Le limiteur de gaz résiduaire a été déclenché.

- Positionner l'interrupteur sur '0/OFF'.
- Laisser refroidir l'appareil.
- Allumer l'appareil.

Le défaut se reproduit.

- Informer le service après-vente.

5x clignotement

Commutateur Reed collé dans la protection contre le manque d'eau ou piston magnétique coincé.

- Informer le service après-vente.

Le témoin de contrôle combustible s'allume

Le réservoir de combustible est vide.

- Remplissage du combustible.

La lampe témoin soin système est allumée

Le réservoir d'entretien système est vide.

- Remplir l'entretien système.

L'appareil ne fonctionne pas

Pas de tension secteur

- Contrôler le raccordement au réseau/le câble électrique.

L'appareil n'établit aucune pression

Présence d'air dans le système

Purger la pompe :

- Positionner la vanne de dosage du détergent sur "0".
- En gardant la poignée-pistolet ouverte, mettre plusieurs fois l'appareil hors et sous tension.

• Ouvrir et fermer la régulation de quantité/ de pression de l'unité de pompe avec une poignée-pistolet ouverte.

Remarque: En démontant le flexible haute pression du raccord haute pression, le processus de purge est accéléré.

Si le réservoir de détergent est vide, le remplir.

- Contrôler les raccords et les conduites.
- La pression est réglée sur MIN
- Régler la pression sur MAX.

Le tamis de l'arrivée d'eau est encrassé

- Nettoyer le tamis.
- Nettoyer le filtre fin, le remplacer si nécessaire.

Le débit de l'alimentation en eau est trop faible

• Contrôler le débit de l'alimentation en eau (voir la section Caractéristiques techniques).

L'appareil présente un fuit, de l'eau s'écoule de l'appareil par le bas

- La pompe fuit.

Remarque: Une fuite de 5 gouttes/minute est autorisée.

• En cas de fuite plus importante, faire vérifier l'appareil par le service après-vente.

Lorsque la poignée-pistolet est fermée, l'appareil ne cesse de se mettre sous et hors tension

Présence d'une fuite dans le système haute pression

• Vérifier l'absence de fuite au niveau du système haute pression et des raccords

L'appareil n'aspire pas de détergent

• Laisser fonctionner l'appareil avec la vanne de dosage de détergent ouverte et l'alimentation en eau coupée jusqu'à ce que le réservoir à flotteur soit vide et que la pression retombe à "0".

- Ouvrir de nouveau l'arrivée d'eau.

Si la pompe n'aspire toujours pas de détergent, les causes peuvent en être les suivantes:

- Le filtre du tuyau d'aspiration du détergent est encrassé
- Nettoyer le filtre.

Le clapet anti-retour est collé

- Démonter le tuyau de détergent et dévisser le clapet anti-retour à l'aide d'un objet non contondant.

MAINTENANCE ET SERVICE PRÉVENTIFS

Le brûleur ne s'allume pas

Le réservoir de combustible est vide.

- Remplissage du combustible.

Manque d'eau

• Contrôler le raccord d'eau, contrôler les conduites d'alimentation

• Nettoyer le tamis du dispositif de sécurité en cas de manque d'eau.

Le filtre à combustible est encrassé

- Remplacer le filtre à combustible.

Absence d'étincelle d'allumage

• Si aucune étincelle d'allumage n'est visible à travers la vitre transparente lorsque l'appareil fonctionne, le faire contrôler par le service après-vente.

Lorsque l'appareil est utilisé avec de l'eau chaude, il n'atteint pas la température réglée

La pression de service/le débit est trop élevé(e)

• Réduire la pression de travail/le débit à la régulation de la pression / de la quantité de l'unité de pompe.

Le serpentin de chauffage est encrassé

- Faire nettoyer l'appareil par le service après-vente.

SERVICE APRÈS-VENTE

Si la panne ne peut être réparée, l'appareil doit être contrôlé par le service après-vente.

ACCESSOIRES ET PIÈCES DE RECHANGE

Remarque: Lors du raccordement de l'appareil à une cheminée ou quand l'appareil n'est pas visible, nous recommandons le montage d'une surveillance de flamme (option).

Utiliser uniquement des accessoires et des pièces de rechange autorisés par le fabricant. Des accessoires et des pièces de rechange d'origine garantissent un fonctionnement sûr et parfait de l'appareil..

Vous trouverez plus d'informations sur les pièces de rechange dans le menu Service du site www.kaercher.com.

CARACTÉRISTIQUES TECHNIQUES

MODEL		HDS 3.0/20-4 EA/EG	HDS 3.5/30-4 EA
SKU		1.109-153.0	1.109-155.0
RACCORDEMENT AU SECTEUR			
TENSION	V	208-230	230
TYPE DE COURANT	Ph/Hz	1~ 60	1~ 60
PUISSANCE DE RACCORDEMENT	Hp	7	10
PROTECTION (À ACTION RETARDÉE)	A	26	35
ARRIVÉE D'EAU			
TEMPÉRATURE D'ALIMENTATION (MAX.)	°F (°C)	105 (40)	105 (40)
DÉBIT D'ALIMENTATION (MIN.)	GPM (l/min)	5 (19)	5 (19)
HAUTEUR D'ASPIRATION À PARTIR DU RÉSERVOIR OUVERT (68 °F/ 20 °C)	ft (m)	1.5 (0.5)	1.5 (0.5)
PRESSION D'ALIMENTATION (MAX.)	PSI (MPa)	90 (0.6)	90 (0.6)
PERFORMANCES			
DÉBIT D'EAU	GPM (l/min)	3 (11.3)	3.5 (13.2)
PRESSION DE SERVICE DE L'EAU (AVEC BUSE STANDARD)	PSI (MPa)	2000 (13.8)	3000 (20.7)
PRESSION MAXIMALE DE MARCHÉ (CLAPET DE SÉCURITÉ)	PSI (Mpa)	2600 (18)	3400 (23.4)
TEMPÉRATURE DE SERVICE MAX DE L'EAU CHAUDE	°F (°C)	190 (88)	190 (88)
DÉBIT DU FONCTIONNEMENT À VAPEUR	GPM (l/min)	0-0.11 (0-0.42)	0-0.15 (0-0.58)
PUISSANCE DU BRÛLEUR	Hp (BTU/h)	88 (224000)	100 (254000)
CONSOMMATION MAXIMALE DE FUEL	GPH (kg/h)	1.72 (5.5)	2.01(6.5)
FORCE DE RÉACTION MAX. DE LA POIGNÉE-PISTOLET	N	31	45
TAILLE D'INJECTEUR	-	042	040
CARBURANTS			
COMBUSTIBLE	-	Diesel or Home Heating Oil	Diesel or Home Heating Oil
RÉSERVOIR À COMBUSTIBLE	gal (l)	9.8 (37.1)	9.8 (37.1)
BUSE DE COMBUSTIBLE	-	1.35x45W	1.50x45W
QUANTITÉ D'HUILE	Gal (l)	0.26 (0.99)	0.26 (0.99)
TYPES D'HUILE	-	SAE 0W 40	SAE 0W 40
DIMENSIONS ET POIDS			
LONGUEUR X LARGEUR X HAUTEUR	in (mm)	46.4" x 28.4" x 38.3" (1177x720x972)	46.4" x 28.4" x 38.3" (1177x720x972)
POIDS D'EXPÉDITION	lbs (kg)	507 (230)	507 (230)
POIDS DE LA MACHINE	lbs (kg)	420 (190)	420 (190)

Información Importante de Seguridad	34-35
Símbolos en el aparato	36
Identificación de Componentes	37
Panel de Control	38
Dispositivos De Seguridad	39
Instrucciones de Montaje e Instalación	39-42
Mantenimiento Preventivo y Servicio	43-46
Características Técnicas	47

Número de Modelo _____

Número de Serie _____

Fecha de Compra _____

Los números de modelo y de serie se encuentran en una calcomanía adherida a la lavadora a presión. Debe registrar tanto el número de serie como la fecha de compra y guardar en un lugar seguro para futura referencia.

INTRODUCCIÓN E INFORMACIÓN IMPORTANTE DE SEGURIDAD

Gracias por comprar esta lavadora a presión.

Nos reservamos el derecho de realizar cambios en cualquier momento sin incurrir en ninguna obligación.

Responsabilidad del propietario y/o usuario:

El propietario y/o usuario deben comprender las instrucciones y advertencias de operación del fabricante antes de usar esta lavadora a presión. Se debe enfatizar y entender la información de advertencia. Si el operador no habla inglés con fluidez, el comprador y/o propietario deberá leer y discutir las instrucciones y advertencias del fabricante en el idioma nativo del operador, asegurándose de que el operador comprenda su contenido.

El propietario y/o usuario deben estudiar y conservar las instrucciones del fabricante para futura referencia.

El operador debe saber cómo detener la máquina rápidamente y comprender el funcionamiento de todos los controles. Nunca permita que alguien opere el motor sin las instrucciones apropiadas.

CONSERVE ESTAS INSTRUCCIONES

Este manual debe considerarse una parte permanente de la máquina y debe permanecer con ésta si la máquina se vuelve a vender.

Al ordenar partes, especifique el modelo y el número de serie. Utilice únicamente partes de reemplazo idénticas.

Esta máquina debe ser utilizada únicamente por operadores capacitados.

INFORMACIÓN IMPORTANTE DE SEGURIDAD



ADVERTENCIA: Para reducir el riesgo de lesiones, lea cuidadosamente las instrucciones de operación antes de usar.

1. Lea el manual del propietario minuciosamente. El incumplimiento de las instrucciones podría ocasionar una falla de la máquina y provocar la muerte, lesiones corporales

graves y/o daños materiales.

2. Sepa cómo detener la máquina y purgar la presión rápidamente. Familiarícese completamente con los controles.
3. Permanezca alerta — observe lo que está haciendo.

4. Todas las instalaciones deben cumplir con los códigos locales. Póngase en contacto con su electricista, plomero, empresa de servicios públicos o con el distribuidor de venta para obtener detalles específicos. Si el voltaje nominal de su máquina es 250 voltios o menos, se suministrará corriente monofásica con un interruptor de protección de fallas a tierra (GFCI). Si el voltaje nominal es mayor de 250 voltios, o más de una fase, este producto solo se debe conectar a un receptáculo de alimentación eléctrica protegido por un GFCI.

PELIGRO: La conexión incorrecta del conductor de puesta a tierra del equipo puede dar como resultado el riesgo de electrocución. Si tiene alguna duda acerca de la puesta a tierra adecuada del tomacorriente, consulte con un electricista o técnico calificado. No modifique el enchufe provisto con el producto - si no encaja en el tomacorriente, solicite a un electricista calificado que le instale un tomacorriente adecuado. No use ningún tipo de adaptador con este producto



ADVERTENCIA: Mantenga la varilla, la manguera y el rocío de agua lejos del cableado eléctrico, ya que podrían producirse descargas eléctricas fatales.

5. Para proteger al operador contra descargas eléctricas, la máquina debe estar conectada a tierra. Es responsabilidad del propietario conectar esta

máquina a un receptáculo con puesta a tierra UL y clasificación de voltaje y amperaje adecuados. No rocíe agua sobre componentes eléctricos ni cerca de los mismos. No toque la máquina con las manos húmedas ni si está parado en una superficie con agua. Desconecte siempre la alimentación eléctrica antes de realizar tareas de mantenimiento.



ADVERTENCIA: Los líquidos inflamables pueden generar vapores que pueden encenderse y causar daños a la propiedad o lesiones graves.

ADVERTENCIA: Riesgo de explosión — Opere sólo donde se permitan llamas abiertas o soplete.

6. Use solo combustible para calefacción doméstica o diesel. Se recomienda usar un removedor de hollín diablo rojo con cada tanque para reducir la acumulación de hollín en la bobina de calentamiento.

INFORMACIÓN IMPORTANTE DE SEGURIDAD



ADVERTENCIA: *Riesgo de incendio — No agregue combustible cuando el producto está en funcionamiento o aún está caliente.*

ADVERTENCIA: *No utilice el drenaje del cárter de gasolina ni aceite que contenga gasolina, solventes o alcohol. Hacerlo resultará en incendio y/o explosión.*

7. Los aparatos con quemador de petróleo solo se deberán instalar en lugares donde no haya polvos combustibles ni gases o vapores inflamables. No almacene ni use gasolina cerca de esta máquina.
8. No permita que ácidos, fluidos cáusticos o abrasivos pasen a través de la bomba.
9. Nunca haga funcionar la bomba en seco ni deje la pistola rociadora cerrada por más de 1-2 minutos.
10. Mantenga el área de operación libre de personas.



ADVERTENCIA: *El rociado a alta presión puede hacer que las partículas de pintura u otras partículas se transporten por aire y vuelen a altas velocidades. Para evitar lesiones personales, se deben usar dispositivos de seguridad para los ojos, manos y pies.*

11. Se debe usar protección para los ojos, las manos y los pies al usar este equipo.

Siempre use protección para los ojos con la clasificación adecuada, como gafas de seguridad o careta durante la operación. (Las gafas de seguridad no brindan protección completa)



ADVERTENCIA: *Esta máquina supera los 85 db, se debe usar protección auditiva adecuada.*



ADVERTENCIA: *Fluido de descarga caliente. No toque ni dirija el flujo de descarga a las personas o animales.*



ADVERTENCIA: *Riesgo de lesiones. Las superficies calientes pueden causar quemaduras. Use sólo las áreas de agarre designadas de la pistola rociadora y la varilla. No coloque las manos o los pies en áreas sin aislamiento de la lavadora a presión.*

12. Para reducir el riesgo de lesiones, es necesaria una estrecha supervisión cuando se utiliza una máquina cerca de niños. No permita que los niños operen la lavadora a presión. **Esta máquina debe ser atendida durante la operación.**



ADVERTENCIA: *Sujete la varilla de limpieza firmemente con ambas manos antes de comenzar. De lo contrario, podría sufrir lesiones a partir de un latigazo de la varilla.*

13. Nunca realice ajustes en la máquina mientras esté en funcionamiento.

14. Asegúrese que todos los accesorios del acoplador rápido estén asegurados antes de usar la lavadora a presión.



ADVERTENCIA: *La alta presión desarrollada por estas máquinas causará lesiones personales o daños al equipo. Manténgase alejado de la boquilla. Tenga cuidado al operar. No dirija el flujo de descarga a las personas o animales, ya que se producirán lesiones graves o la muerte.*



ADVERTENCIA: *Proteja la máquina contra congelamiento.*

15. Para mantener la máquina en las mejores condiciones de funcionamiento, es importante que proteja la máquina contra congelamiento. Si no protege la máquina contra conge-

miento podría ocasionar una falla de la máquina y causar la muerte, lesiones corporales graves y/o daños a la propiedad. Siga las instrucciones de almacenamiento especificadas en este manual.

16. El agua de entrada debe ser agua limpia y no debe estar a más de 90°F

INFORMACIÓN IMPORTANTE DE SEGURIDAD



ADVERTENCIA: *Riesgo de asfixia. Use este producto sólo en un área bien ventilada.*

17. Evite instalar las máquinas en áreas pequeñas o cerca de extractores de aire. Para la combustión se necesita oxígeno adecuado, de lo contrario se producirá monóxido de carbono.

18. El fabricante no será responsable de los cambios realizados en nuestras máquinas estándar o de los componentes que no se compren a nosotros.

19. El mejor seguro contra un accidente es la precaución y el conocimiento de la máquina.



ADVERTENCIA: *Tenga mucho cuidado al usar una escalera, andamios o cualquier otra ubicación relativamente inestable. El área de limpieza debe tener pendientes y drenaje adecuados para reducir la posibilidad de una caída debido a las superficies resbaladizas.*

20. No sobrepase ni se pare sobre un soporte inestable. Mantenga una buena posición para los pies y equilibrio en todo momento.

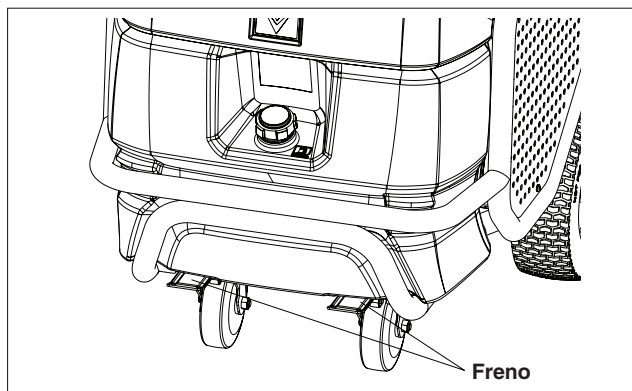
21. No opere esta máquina cuando esté fatigado o bajo la influencia del alcohol, medicamentos recetados o drogas.



ADVERTENCIA: *No rocíe sobre la máquina ni sobre personas, animales o piezas eléctricas.*



Siga las instrucciones de mantenimiento especificadas en el manual.



ADVERTENCIA: *Para evitar daños o lesiones. Mantenga el freno activado durante la máquina operación y almacenaje.*

Si la maquina se utiliza en una pendiente superior a 15°, utilice bloques para detener las llantas y evitar que se deslice la máquina.

SÍMBOLOS EN EL APARATO

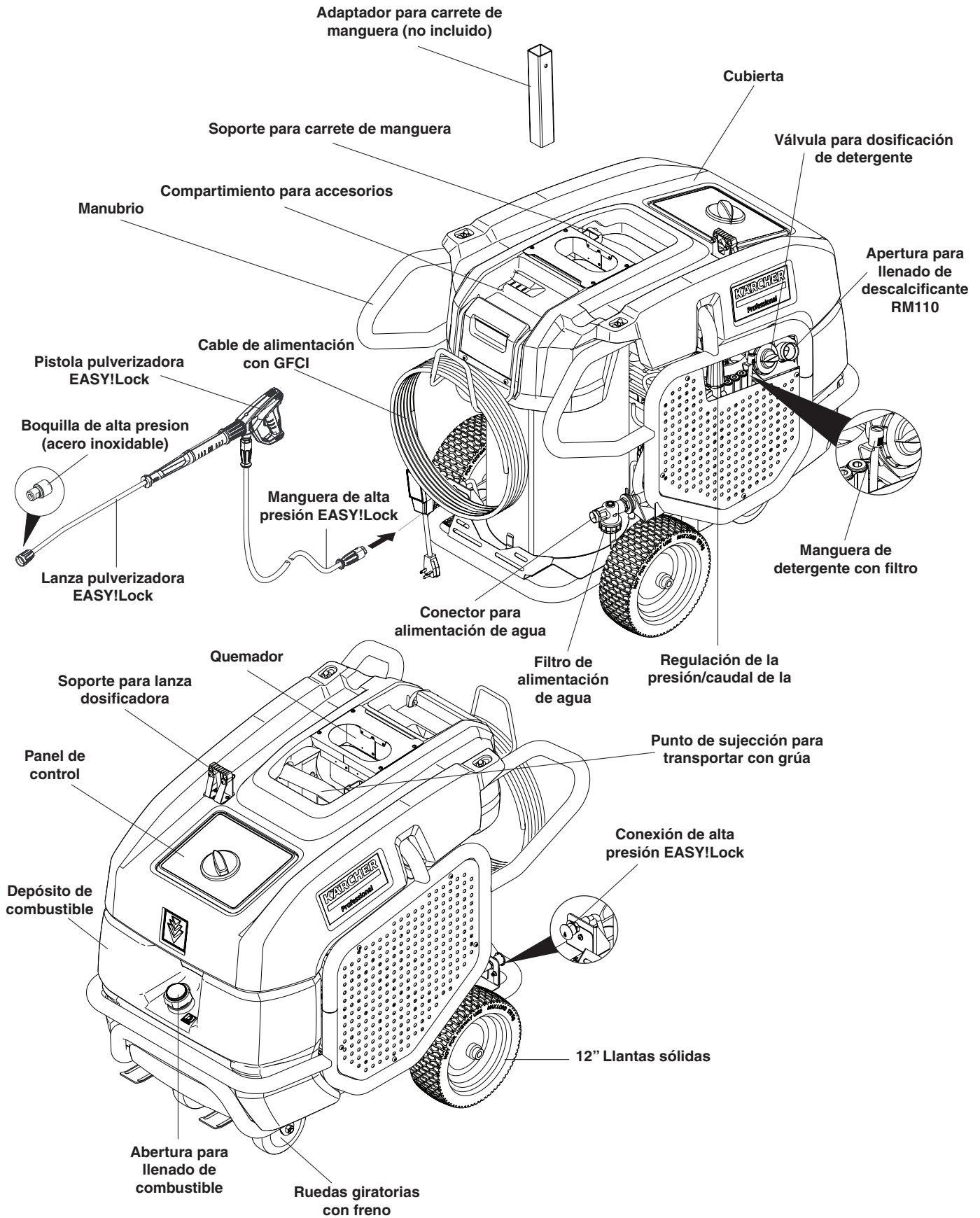


¡Peligro por tensión eléctrica!
Solo electricistas cualificados o personal autorizado pueden realizar trabajos en los componentes de la instalación.

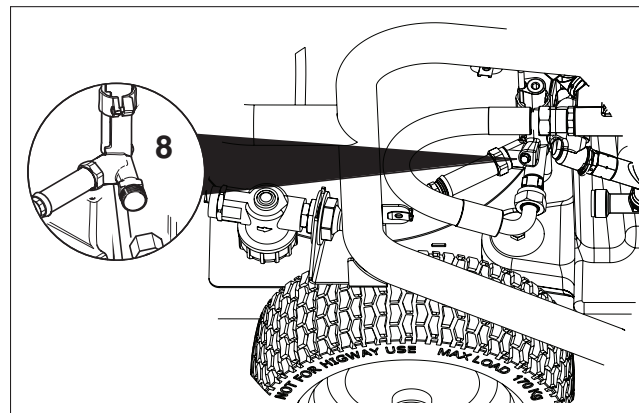
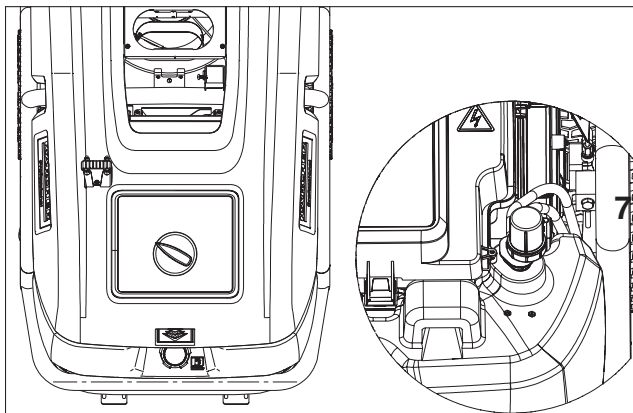
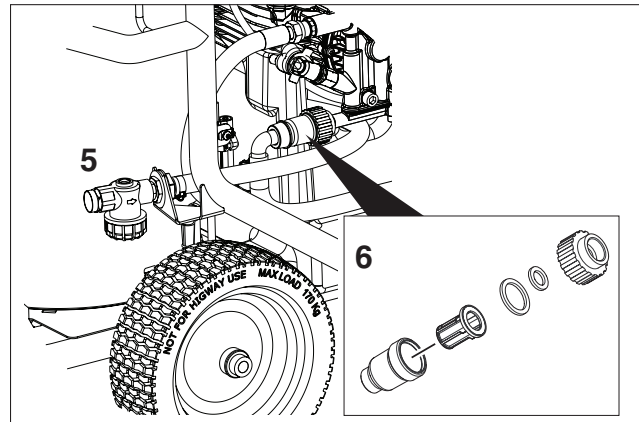
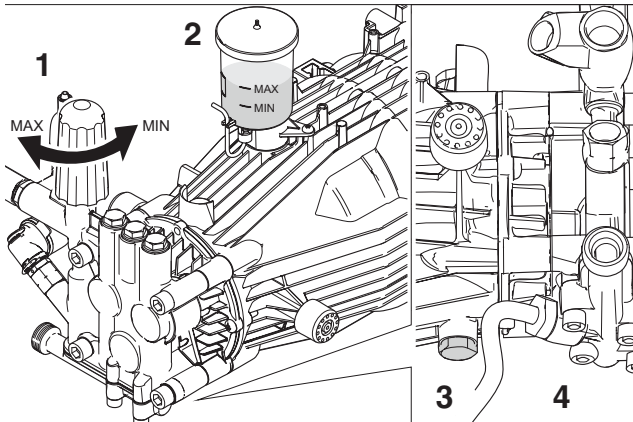


¡Riesgo de quemaduras por superficies calientes!

IDENTIFICACIÓN DE COMPONENTES



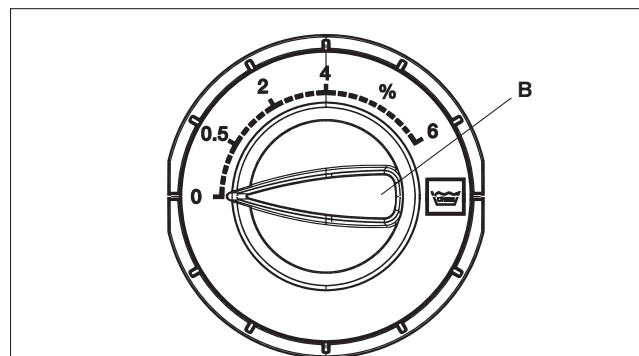
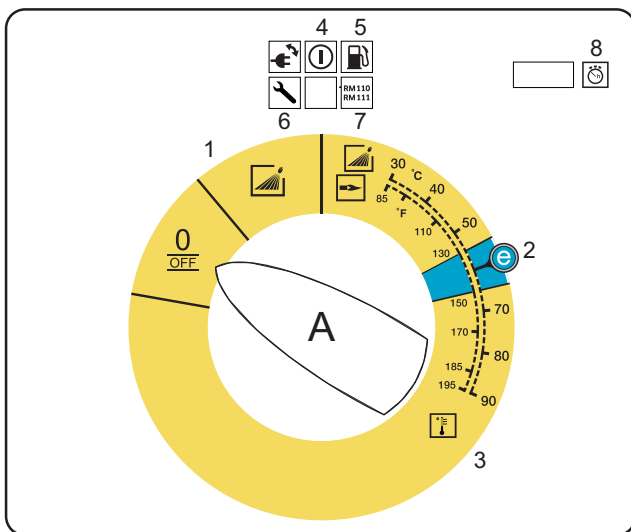
IDENTIFICACIÓN DE COMPONENTES



1. Regulación de la presión/caudal de la de bomba
2. Depósito de aceite
3. Tornillo purgador de aceite
4. Válvula de retención del sistema de absorción de detergentes

5. Filtro de depuración fina (agua)
6. Filtro de combustible
7. Dispositivo de seguridad contra funcionamiento en seco

PANEL DE CONTROL



- A. Interruptor principal.
- B. Válvula dosificadora de detergente.
1. Modo de funcionamiento: funcionamiento con agua fría.

2. Modo de funcionamiento: nivel eco, agua caliente (máx. 140 °F/60 °C).
3. Modo de funcionamiento: funcionamiento con agua caliente (máx. 195 °F/90 °C).
4. LED de control de combustible.
5. LED indicador de código de servicio.
6. LED indicador de descalcificante RM110.
7. Contador de horas.

DISPOSITIVOS DE SEGURIDAD

La función de los dispositivos de seguridad es proteger al usuario y está prohibido ponerlos fuera de servicio y modificar o ignorar su funcionamiento.

Válvula de descarga con dos interruptores de presión

Al reducir la cantidad de agua en el cabezal de la bomba se abre la válvula de descarga y una parte del agua recircula al lado de succión de la bomba.

Si se cierra la pistola pulverizadora, de manera que todo el agua circule de vuelta al lado de succión de la bomba, el presóstato en la válvula de descarga desconecta la bomba.

Si se vuelve a abrir la pistola pulverizadora, el presóstato en el cabezal de la bomba encenderá de nuevo el motor.

La válvula de descarga ha sido ajustada y sellada de fábrica. El ajuste lo debe realizar solamente el técnico de servicio autorizado.

Válvula de seguridad

La soupape de sûreté s'ouvre lorsque le clapet de décharge ou le pressostat est défectueux.

La soupape de sûreté est réglée et plombée d'usine. Seul le service après-vente est autorisé à effectuer le réglage.

Dispositivo de seguridad contra el funcionamiento en seco

El dispositivo de seguridad contra el funcionamiento en seco evita que el quemador se conecte en caso de falta de agua y protege así el calentador de circulación de sobrecalentamiento.

El seguro contra la falta de agua es una parte de la seguridad por lo que se precinta en el tornillo de cierre.

El seguro de falta de agua tiene efecto inmediato. Desconecta el quemador si hay un caudal insuficiente y lo conecta de nuevo cuando hay suficiente caudal de agua.

La protección de marcha en seco se activa cuando el seguro de falta de agua avisa de caudal insuficiente durante 2 minutos. El aparato se desconecta con un aviso de error y se bloquea. No se puede poner el aparato de nuevo en funcionamiento hasta que se desconecte y conecte a través del interruptor principal.

Limitador de la temperatura de gas de escape

El limitador de la temperatura de gas de escape apaga el aparato al alcanzar una temperatura de gas de escape demasiado alta.

INSTRUCCIONES DE MONTAJE E INSTALACIÓN

MONTAJE

Desembalaje

Desembale con cuidado. Use anteojos de seguridad o antiparras cuando desembale, ensamble o utilice la hidrolavadora. Si hay componentes faltantes o daños ocultos comuníquese inmediatamente con el distribuidor o la compañía de transporte con respecto a las discrepancias.

1. Corte la correa de sujeción de la hidrolavadora y la tarima.
2. Retire la hidrolavadora de la tarima.

Para revisar los componentes que deben ser incluidos en el empaque, referirse a la página 37.

INSTALACIÓN

Pasos iniciales

IMPORTANTE: *La instalación adecuada del equipo le asegurará un funcionamiento más satisfactorio, una vida útil más larga y menor costo de mantenimiento.*

ADVERTENCIA: *Si se realiza una conexión a un sistema de agua potable, el sistema debe estar protegido contra el reflujo.*

La hidrolavadora se debe utilizar en una superficie nivelada donde no esté expuesta a fuentes externas que la afecten, por ejemplo, viento intenso, temperaturas heladas, lluvia, etc. La hidrolavadora se debe ubicar de manera de permitir fácil acceso para la carga de fluidos,

ajustes y mantenimiento. El operador debe adoptar precauciones normales para evitar que la humedad llegue a la hidrolavadora. Se recomienda realizar una división entre el área de lavado y la hidrolavadora para evitar que el rociado directo de la varilla entre en contacto con la hidrolavadora. La humedad que llegue al equipo reducirá la vida útil de la hidrolavadora. Todas las instalaciones deben cumplir con los códigos locales para esas instalaciones.

Ventilación

PRECAUCIÓN: *Toda la ventilación debe ser de acuerdo con las leyes federales y estatales aplicables y las ordenanzas locales. Consulte a contratistas locales de calefacción.*

Si la hidrolavadora se va a usar en un área cerrada, se debe instalar una chimenea para ventilar el escape del motor a la atmósfera exterior. Los gases de escape no se deben extraer hacia una pared, un cielorraso o espacio cubierto de un edificio. Asegúrese de que la chimenea sea de la misma medida que el extractor del quemador que está sobre la tapa de la hidrolavadora. Una corriente deficiente hará que la hidrolavadora junte hollín y no funcione correctamente. Al seleccionar la ubicación para la instalación, tenga cuidado con los lugares mal ventilados o las áreas donde los extractores pueden causar un suministro insuficiente de oxígeno. La combustión adecuada sólo se puede obtener cuando hay suficiente suministro de oxígeno disponible para la cantidad de combustible que se está quemando. Si la máquina se debe instalar en un área mal ventilada, tal vez sea necesario suministrar aire fresco exterior al quemador e instalar un ventilador para proporcionar aire suficiente a la máquina. Ubique la hidrolavadora de forma tal que la chimenea sea lo más recta posible y sobresalga a través del techo

INSTRUCCIONES DE MONTAJE E INSTALACIÓN

a una altura y ubicación adecuadas para proporcionar una corriente adecuada. **Nota:** Este producto está etiquetado solo para uso en exteriores y debe utilizarse en exteriores. No se recomienda operar en interiores. Si bajo ciertas condiciones que hacen que sea imposible operar en exteriores, puede operar en interiores usando una ventilación de campana o ventilación. La ventilación puede causar la restricción del flujo de aire a través de la cámara de combustión y causar hollín excesivo. Use un tamaño de ventilación más grande que la pila de escape para evitar restricciones y póngase en contacto con el distribuidor de servicio local para ajustar la mezcla de aire después de la instalación de la ventilación.

Ensamblar la pistola pulverizadora, lanza dosificadora, boquilla y manguera de alta presión

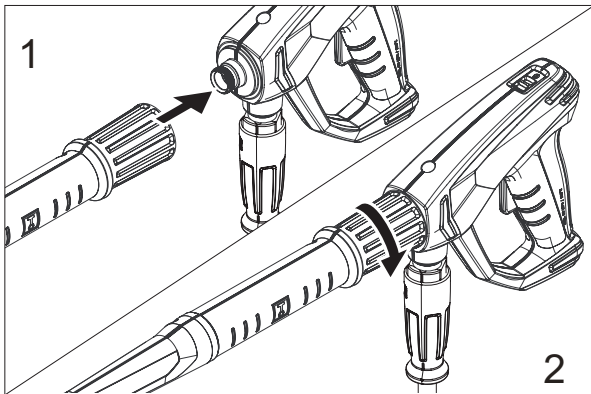
Aviso: El sistema EASY!Lock conecta componentes de forma rápida y segura mediante una rosca rápida con tan solo una vuelta.

Conectar el tubo pulverizador con la pistola pulverizadora y apretar a mano (EASY!Lock).

Conectar la boquilla de alta presión sobre el tubo pulverizador.

Montar la tuerca de racor y apretarla con la mano (EASY!Lock).

Conectar la manguera de alta presión con la pistola pulverizadora y la conexión de alta presión del aparato y apretar a mano (EASY!Lock).



IMPORTANTE: Si la hidrolavadora no se ha usado durante un período prolongado, retire la boquilla del extremo de la varilla y abra el suministro de agua. Deje correr el agua desde el extremo de la varilla hasta que salga limpia.

IMPORTANTE: La pistola de disparo suministrada con esta hidrolavadora está equipada con una traba de gatillo manual para evitar el funcionamiento accidental de la pistola. La traba de gatillo se debe utilizar cada vez que la pistola de disparo no se encuentre en uso.

Abrir/cerrar la pistola pulverizadora

Abrir la pistola pulverizadora: Accionar la palanca de fijación y la palanca de disparo.

Cerrar la pistola de pulverización: Soltar la palanca de fijación y la palanca de disparo.

Cambiar las boquillas

PELIGRO: ¡Riesgo de lesiones! Desconectar el aparato antes de cambiar la boquilla y accionar la pistola pulverizadora hasta que el aparato se quede sin presión.

Asegurar la pistola pulverizadora empujando la palanca de fijación hacia delante. Sustituir la boquilla.

Conexiones eléctricas

ADVERTENCIA: Asegúrese de que todos los interruptores y controles estén en posición OFF (apagado) antes de enchufar la máquina.

ADVERTENCIA: Utilice sólo conductores de cobre.

PRECAUCIÓN: Esta hidrolavadora está equipada con un cable de alimentación para interruptor de protección de fallas de tierra (GFCI) aprobado con certificación UL. Use receptáculos con puesta a tierra UL de voltaje y amperaje adecuados. Si no hay un receptáculo con puesta a tierra adecuado, es responsabilidad del personal del propietario hacer que se instale uno. Desconecte siempre la alimentación eléctrica antes de realizar el mantenimiento de su hidrolavadora.

Valores de conexión: véase la placa de características y datos técnicos.

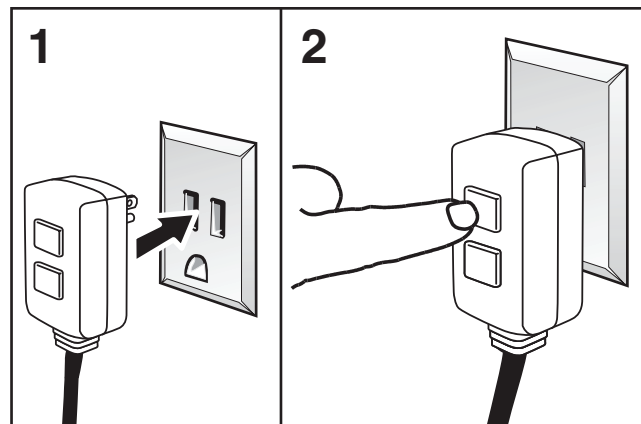
La conexión eléctrica debe ser realizada por un electricista y cumplir la norma NEC y los códigos locales.

Instrucciones del interruptor de circuito de avería por puesta a tierra

PASO 1: Enchufe el interruptor de circuito de avería por puesta a tierra a un tomacorriente de servicio.

PASO 2: Presione "TEST" (PRUEBA) y, después, presione "RESET" (REINICIO) para asegurarse de que la conexión a la toma de energía eléctrica es correcta

Nota: El aspecto actual del interruptor de circuito de avería por puesta a tierra puede ser distinto al de la ilustración.



INSTRUCCIONES DE MONTAJE E INSTALACIÓN

Llenar de combustible

PELIGRO: ¡Peligro de explosiones! Llenar sólo con gasóleo o diésel. No deben emplearse combustibles inadecuados como por ejemplo gasolina.

NO USE GASOLINA, ACEITE DE CÁRTER DE MOTOR NI PETRÓLEO RESIDUAL.

CUIDADO

¡Riesgo de daños! El aparato no debe ponerse en funcionamiento nunca con el depósito de combustible vacío. De lo contrario, se dañara la bomba de combustible.

- Llenar de combustible.
- Cerrar la tapa del depósito.
- Limpiar el combustible que se haya vertido.

Conexión de agua

Valores de conexión, ver datos técnicos.

Conectar la manguera de alimentación (diámetro mínimo 3/4") a la conexión de agua del equipo y a la entrada de agua (por ejemplo al grifo de agua) con la ayuda del adaptador de la conexión de agua.

El grifo de agua y la manguera de suministro deben ser capaces de suministrar 5.0 GPM.

No usar la limpiadora de alta presión para agua contaminada con disolventes, por ejemplo para diluir pintura, gasolina, aceite etc.

Evitar que entren escombros en la unidad, para ello use una fuente de agua limpia. Use un filtro adicional de agua.

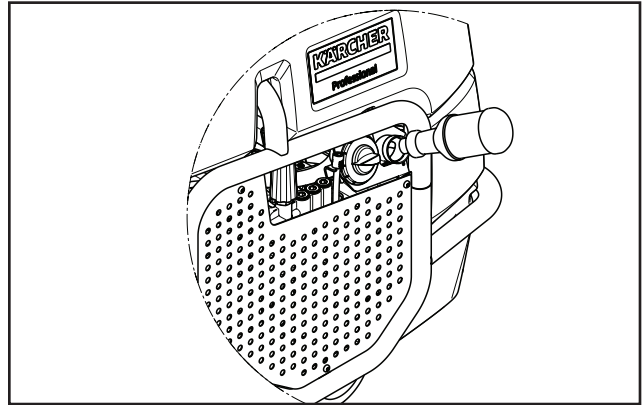
Detergente descalcificante (RM110)

El detergente descalcificante RM110 para conservación del sistema previene la formación de sarro en el serpentín del intercambiador de calor y de la bomba cuando se utilizan fuentes de agua con calcio.

El descalcificante es dosificado por gravedad gota por gota al tanque flotador de agua.

El nivel de dureza del agua es ajustado de fábrica a un nivel medio.

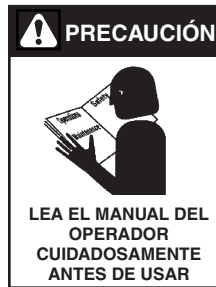
- Rellenar el depósito de detergente descalcificante RM110



Nota: Ordenar en cajas de 12 botellas, usando el no. de parte 8.698-058.0

FUNCIONAMIENTO

Antes de arrancar :



1. **ADVERTENCIA!** Lea todos los manuales suministrados con esta hidrolavadora. Familiarícese con la ubicación y la función de todos los controles operativos y de seguridad.
2. Conecte la manguera de suministro de agua al conector de mangueras de jardín estándar y abra el suministro de agua.

3. Verificar los niveles de combustible y aceite de la bomba.
4. Conecte la manguera de alta presión a la conexión de descarga de alta presión. Ensamblar la pistola pulverizadora, la lanza dosificadora y la boquilla de alta presión.
5. Conecte el cable de alimentación eléctrica a un toma-corriente apropiado. En los modelos monofásicos: presionar el botón de "Reset" en el GFCI.
6. Sostener la pistola pulverizadora firmemente, presionar el gatillo y encender la hidrolavadora. Permitir purgar el aire en el sistema.
7. Ajustar el interruptor principal al modo de operación deseado. El LED indicador de disponibilidad de servicio se encenderá.

El aparato se pone en marcha brevemente y se desconecta en cuanto se ha alcanzado la presión de trabajo.

Quitar el seguro de la pistola pulverizadora empujando la palanca de fijación hacia atrás.

Al accionar la pistola pulverizadora manual se vuelve a encender el aparato.

Nota: Si no sale agua de la boquilla de alta presión, purgue el aire de la bomba. Véase ayuda en el apartado "El aparato no genera presión" en Averías.

INSTRUCCIONES DE MONTAJE E INSTALACIÓN

Regular la temperatura de limpieza

Ajustar el regulador de temperatura a la temperatura deseada.

86 °F/30 °C to 194 °F/90 °C

Limpiar con agua caliente.

Ajustar la presión de trabajo y el caudal

Regulación de la presión/caudal de la bomba

Gire el husillo regulador en el sentido de las agujas del reloj: Aumentar la presión de trabajo (MAX).

Gire el husillo regulador en el sentido contrario a las agujas del reloj: Reducir la presión de trabajo (MIN).

Funcionamiento con detergente

Utilice los detergentes con moderación para no perjudicar el medio ambiente.

El detergente debe ser apropiado para la superficie que se ha de limpiar.

Ajustar la concentración de detergente con ayuda de la válvula dosificadora de detergente según las indicaciones del fabricante.

Nota: Valores indicativos en el panel de control a la máxima presión de trabajo.

Limpieza

Ajustar la presión/temperatura y concentración de detergente en función de la superficie a limpiar..

Nota: Dirigir primero el chorro a alta presión desde una mayor distancia hacia el objeto a limpiar, con el fin de evitar causar daños por una presión demasiado alta.

Método de limpieza recomendado

Disolución de la suciedad:

- Rociar con detergente con moderación y dejar actuar 1...5 minutos pero sin dejar secar.

Eliminación de la suciedad:

- Aplicar el chorro de agua a alta presión sobre la suciedad disuelta para eliminarla.

Servicio con agua fría

Eliminación de suciedades ligeras y enjuague de, por ejemplo: aparejos de jardín, terrazas, herramientas, etc.

Ajustar la presión de trabajo según sea necesario.

Funcionamiento ECO

El aparato trabaja en el rango de temperatura más económico.

Nota: La temperatura se puede regular hasta 194 °F/90 °C.

Servicio con agua caliente

PELIGRO: ¡Existe peligro de escaldamiento!

Ajustar la presión de trabajo de la regulación de la presión/caudal de la unidad de bomba al valor mínimo.

Recomendamos las siguientes temperaturas de limpieza:

Suciedades ligeras

86 °F/30 °C-122 °F/50 °C

Suciedades que contienen proteína, por ejemplo en la industria alimentaria

max. 140 °F/60 °C

Limpieza de coches, de maquinaria

140 °F/60 °C-194 °F/90 °C

Después del funcionamiento con detergente

- Poner la válvula dosificadora en la posición "0".
- Ajustar el interruptor del aparato en el nivel 1 (funcionamiento con agua fría).
- Enjuagar el aparato con la pistola pulverizadora abierta durante al menos 1 minuto.

Desconexión del aparato

PELIGRO: ¡Peligro de escaldamiento por agua caliente! Después del servicio con agua caliente o vapor el aparato debe ser enfriado al menos dos minutos con agua fría con la pistola abierta.

- Cerrar el abastecimiento de agua.
- Abrir la pistola pulverizadora manual.
- Conectar la bomba con el interruptor de equipo y dejar en marcha 5-10 segundos.
- Cerrar la pistola de pulverización manual.
- Ponga el interruptor del aparato en "0/OFF".
- Sacar el enchufe de la toma de corriente sólo con las manos secas.
- Retirar la conexión de agua.
- Poner en funcionamiento la pistola pulverizadora manual hasta que no quede presión en el aparato.
- Asegurar la pistola pulverizadora empujando la palanca de fijación hacia delante.

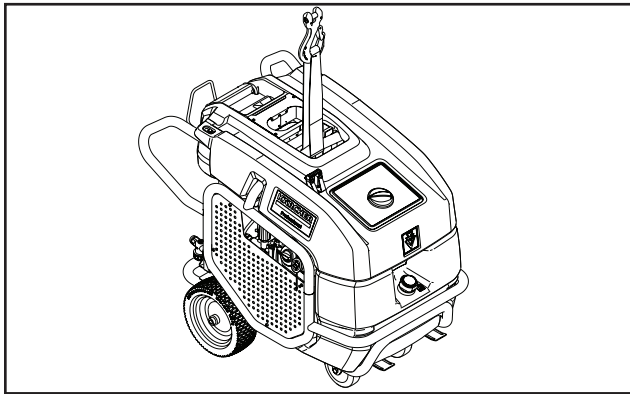
MANTENIMIENTO PREVENTIVO Y SERVICIO

ALMACENAMIENTO

Proteja la máquina contra el congelamiento, mediante su almacenamiento en un área calefaccionada o a través de la descarga de anticongelante en el sistema (use anticongelante para motores de automóviles o solvente para el lavado de parabrisas como anticongelante). Para descargar el anticongelante en el sistema, adose un pequeño tramo de manguera al conector de manguera de jardín ubicado en la bomba. Coloque el otro extremo de la manguera en un contenedor de anticongelante. Arranque la máquina y deje que funcione hasta que el anticongelante fluya desde el extremo de la varilla. Apriete y suelte el gatillo de la pistola varias veces para anticongelar el sistema de descarga. También haga circular anticongelante a través de la tubería de entrada de detergente para anticongelar el sistema de detergente. Para mayor protección después del anticongelante, desconecte la manguera de presión de la máquina. Si la hidrolavadora no se va a usar durante un período prolongado, se recomienda que se descargue anticongelante en el interior del sistema para protección antióxido.

- Encajar la lanza dosificadora en el soporte del capó del aparato.
- Enrollar la manguera a alta presión y el cable eléctrico y colocarlos en soportes.

Nota: No doble la manguera a alta presión y el cable eléctrico.



TRANSPORTE

CUIDADO: Se sugiere levantar el aparato con una grúa utilizando una eslinga. Observar ilustración.

¡Riesgo de daños! No se recomienda cargar el aparato con un montacargas.

PRECAUCIÓN: ¡Peligro de lesiones y daños! Tener en cuenta el peso del aparato durante el transporte.

Al transportar en vehículos, asegurar el aparato para evitar que resbale y vuelque conforme a las directrices vigentes.

CUIDADO: Proteger la pistola pulverizadora y lanza dosificadora contra daños durante el transporte. No se sugiere transportar con los accesorios montados en el aparato.

MANTENIMIENTO

ADVERTENCIA: La modificación no autorizada de la máquina o el uso de piezas de repuesto no aprobadas puede causar lesiones personales y/o daños materiales y anula la garantía del fabricante.

PELIGRO: Peligro de lesiones causadas por un aparato que se arranque involuntariamente y descarga eléctrica. Antes de efectuar cualquier trabajo en el aparato, hay que desconectarlo de la red eléctrica.

INTERVALOS DE MANTENIMIENTO

Semanalmente

- Limpie el tamiz en la conexión del agua.
- Limpiar el filtro de depuración fina.
- Limpiar el filtro de combustible.
- Controle el nivel de aceite.

CUIDADO: ¡Peligro de daños! En caso de aceite lechoso informar inmediatamente al servicio postventa Kärcher.

Mensualmente

- Limpie el filtro en la manguera de aspiración de detergente

Cada 500 horas de servicio, al menos cada año

- Cambiar el aceite.
- Solicitar al servicio técnico que efectúe el mantenimiento del aparato.

TRABAJOS DE MANTENIMIENTO

Limpie el tamiz en la conexión del agua

- Retire el tamiz.
- Limpie el tamiz en agua y vuelva a colocarlo.

Limpie el filtro de depuración fina

- Despresurizar el sistema de alta presión.
- Deastornillar el filtro fino del cabezal de la bomba.
- Desmontar el filtro fino y sacar el filtro.
- Limpiar el filtro con agua limpia o aire comprimido.
- Montar siguiendo los pasos a la inversa.

MANTENIMIENTO PREVENTIVO Y SERVICIO

Limpie el filtro en la manguera de aspiración de detergente

- Desconecte el filtro de aspiración de detergente.
- Limpie el filtro en agua y vuelva a colocarlo.

Cambie el aceite

• Prepare un recipiente colector para aprox. 0.26 gal/1 litro de aceite.

- Suelte el tornillo de purga.

Elimine el aceite viejo sin dañar el medio ambiente o entregarlo en un punto de recogida de residuos. .

- Vuelva a apretar el tornillo de purga.
- Introducir aceite poco a poco hasta la marca MAX

Nota: Las burbujas de aire deben poder desaparecer.

Tipo de aceite y cantidad de llenado, ver datos técnicos.

Cuidado adecuado de la bomba

- **NO** bombee ácidos
- **NO** deje que la bomba funcione en seco.
 - Prepare la máquina para el invierno si se la almacena en temperaturas heladas; consulte los detalles en Almacenamiento y Mantenimiento.
 - Use un ablandador de agua en el sistema de agua si se sabe que la misma tiene un alto contenido de minerales.
 - Use sólo detergentes de alta calidad y siga las recomendaciones de mezcla del fabricante.
 - Enjuague el sistema con agua limpia inmediatamente después del uso de soluciones detergentes.
 - Limpie la criba del filtro de la tubería de entrada de detergente periódicamente.
 - Descargue anticongelante en el sistema de la hidrolavadora si esta se ha de almacenar por un período prolongado.

Válvula de descarga

ADVERTENCIA: La válvula de descarga de esta hidrolavadora se ha ajustado y sellado en fábrica y es una pieza no ajustable en el campo. La alteración del ajuste de fábrica puede causar lesiones personales y/o daños materiales y anula la garantía del fabricante

Filtro de combustible del quemador

Drene cualquier cantidad de agua que se haya acumulado en el filtro de combustible y limpie o cambie el elemento si es necesario

Serpentina de calefacción

Eliminación de incrustaciones de la serpentina: En áreas de agua dura se puede producir la acumulación de incrustaciones dentro de la serpentina de calefacción. Los depósitos de incrustaciones reducen el aumento de la temperatura del agua y pueden llegar a obstruir la serpentina de calefacción. Comuníquese con su centro de servicios local cuando sea necesario eliminar incrustaciones.

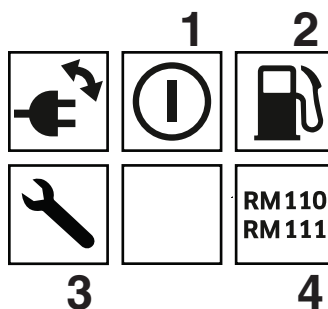
Deshollinado de la serpentina: La mala calidad del diésel o la combustión inadecuada del aire producen acumulación de hollín denso en la superficie exterior de la serpentina de calefacción. Estos depósitos aíslan la serpentina. Esto limita el flujo de aire a través de la serpentina, con lo cual se agrava la acumulación de hollín. Comuníquese con su centro de servicios local cuando sea necesario realizar el deshollinado.

Válvula de seguridad

ADVERTENCIA: La válvula de seguridad de esta hidrolavadora se ha ajustado y sellado en fábrica y es una pieza no ajustable en el campo. La alteración del ajuste de fábrica puede causar lesiones personales y/o daños materiales y anula la garantía del fabricante.

Si la presión de la bomba excede los límites de seguridad, la válvula de seguridad se abre para permitir la descarga a tierra de la alta presión a través de la manguera. Precaución: Inspeccione la válvula de seguridad anualmente para verificar cualquier obstrucción.

SOLUCIÓN DE PROBLEMAS



1. LED indicador de disponibilidad de servicio
2. LED indicador de falta de combustible
3. LED indicador de código de servicio
4. LED indicador de descalcificante RM110

MANTENIMIENTO PREVENTIVO Y SERVICIO

PELIGRO: Peligro de lesiones causadas por un aparato que se arranque involuntariamente y descarga eléctrica.

Antes de efectuar cualquier trabajo en el aparato, hay que desconectar de la red eléctrica.

LED indicador de disponibilidad de servicio se apaga

No hay tensión de red, véase "El aparato no se pone en marcha".

LED indicador de código de servicio

LED indicador de código de servicio se enciende

- Falta de aceite
- Rellene con aceite

1 parpadeo

Falta de agua

- Comprobar la conexión de agua y las tuberías.

Fuga en el sistema de alta presión

• Verificar la estanqueidad del sistema de alta presión y las conexiones.

2 parpadeos

Error en el suministro de tensión o absorción de corriente del motor demasiado grande.

- Comprobar el cable de conexión y los fusibles de red.
- Avisar al servicio técnico.

3 parpadeos

Motor sobrecargado/sobrecalentado

- Ponga el interruptor del aparato en "0/OFF".
- Deje enfriar el aparato.
- Conexión del aparato Le défaut se reproduit.

El error se repite varias veces.

- Avisar al servicio técnico.

4 parpadeos

El limitador de temperatura de gases de escape se ha activado.

- Ponga el interruptor del aparato en "0/OFF".
- Deje enfriar el aparato.
- Conexión del aparato

El error se repite varias veces.

- Avisar al servicio técnico.

5 parpadeos

El interruptor de láminas flexibles está pegado al dispositivo de seguridad contra el funcionamiento en seco o el émbolo magnético está enganchado.

- Avisar al servicio técnico.

El LED indicador de falta de combustible se enciende

Depósito de combustible vacío.

- Llenar de combustible

El LED indicador de descalcificante RM110 se enciende

El recipiente de producto de mantenimiento del sistema está vacío.

- Rellenar producto de mantenimiento en el depósito de RM110.

El aparato no funciona

No hay tensión de red

- Verificar conexión de red/cable.

El aparato no genera presión

Aire en el Sistema

Purgar el aire de la bomba:

- Poner la válvula dosificadora en la posición "0".
- Cuando la pistola pulverizadora está abierta conecte y desconecte el aparato varias veces con el interruptor principal.

• Abrir/cerrar la regulación de la presión/caudal de la unidad de bomba con la pistola pulverizadora manual.

Nota: Al desmontar la manguera de alta presión de la conexión a alta presión se acelera el proceso de purga de aire.

- Verifique las conexiones y tuberías.

La presión está ajustada a MIN.

- Ajuste la presión a MAX.

Limpie el tamiz en la conexión del agua.

- Limpie el tamiz.

• Limpiar el filtro de depuración fina, si es necesario cambiar.

La cantidad de abastecimiento de agua es escasa

- Verifique la cantidad de abastecimiento de agua (ver datos técnicos).

El aparato tiene fugas, el agua gotea del aparato por abajo

La boma está fugando

Nota: Lo permitido es 3 gotas por minuto est autorisée.

- En caso de fuga de mayor envergadura deje que el servicio técnico revise el aparato.

MANTENIMIENTO PREVENTIVO Y SERVICIO

El aparato se enciende y se apaga continuamente cuando la pistola está cerrada

Fuga en el sistema de alta presión

- Verificar la estanqueidad del sistema de alta presión y las conexiones.

El aparato no succiona detergente

• Deje en marcha el aparato con la válvula dosificadora de detergente abierta y el suministro de agua cerrado hasta que la caja de flotador se haya vaciado y la presión baje hasta "0".

- Abrir de nuevo el suministro de agua.

Si la bomba sigue sin aspirar detergente puede ser debido a lo siguiente:

El filtro en la manguera de aspiración de detergente está sucio

- Limpiar el filtro.

La válvula de retención se pega

- Desmontar la manguera de detergente y soltar la válvula de retención con un objeto obtuso.

El quemador no se enciende

Depósito de combustible vacío.

- Llenar de combustible.

Falta de agua

- Comprobar la conexión de agua y las tuberías.
- Limpie el tamiz en el dispositivo de seguridad contra el funcionamiento en seco.

El filtro de combustible está sucio

- Cambie el filtro de combustible.

No hay chispa de encendido

- Si durante el servicio no se ve ninguna chispa de encendido a través de la mirilla, lleve el aparato al servicio técnico para revisarlo

La temperatura regulada no se alcanza durante el servicio con agua caliente

La presión de trabajo/caudal son demasiado altos

- Reducir la presión de trabajo y el caudal del regulador de presión/caudal de la unidad de bomba.

El serpentín de recalentamiento ha almacenado hollín

- El aparato deberá deshollinarlo el servicio técnico.

SERVICIO DE ATENCIÓN AL CLIENTE

Si la avería no se puede solucionar el aparato debe ser revisado por el servicio técnico.

ACCESORIOS Y PIEZAS DE REPUESTO

Nota: Al conectar el aparato a una chimenea o cuando no se vea el aparato, recomendamos integrar un detector de llamas (opcional).

• Sólo deben emplearse accesorios y piezas de repuesto originales o autorizados por el fabricante. Los accesorios y piezas de repuesto originales garantizan el funcionamiento seguro y sin averías del aparato.

• En el área de servicios de www.kaercher.com encontrará más información sobre piezas de repuesto

DATOS TÉCNICOS

MODELO		HDS 3.0/20-4 EA/EG	HDS 3.5/30-4 EA
SKU		1.109-153.0	1.109-155.0
CONEXIÓN DE RED			
VOLTAJE	V	208-230	230
TIPO DE CORRIENTE	Ph/Hz	1~ 60	1~ 60
POTENCIA CONECTADA	Hp	7	10
CORRIENTE	A	26	35
CONEXIÓN DE AGUA			
TEMPERATURA DE ENTRADA (MÁX.)	°F (°C)	105 (40)	105 (40)
FLUJO DE ALIMENTACIÓN (MÍN.)	GPM (l/min)	5 (19)	5 (19)
ALTURA DE ASPIRACIÓN DESDE EL DEPÓSITO ABIERTO (68 °F/20 °C)	ft (m)	1.5 (0.5)	1.5 (0.5)
PRESIÓN DE ENTRADA (MÁX.)	PSI (MPa)	90 (0.6)	90 (0.6)
POTENCIA Y RENDIMIENTO			
CAUDAL, AGUA	GPM (l/min)	3 (11.3)	3.5 (13.2)
PRESIÓN DE TRABAJO AGUA (CON BOQUILLA ESTÁNDAR)	PSI (MPa)	2000 (13.8)	3000 (20.7)
SOBREPRESIÓN DE SERVICIO MÁXIMA (VÁLVULA DE SEGURIDAD)	PSI (Mpa)	2600 (18)	3400 (23.4)
TEMPERATURA DE TRABAJO MÁX. AGUA CALIENTE	°F (°C)	190 (88)	190 (88)
ASPIRACIÓN DE DETERGENTE	GPM (l/min)	0-0.11 (0-0.42)	0-0.15 (0-0.58)
POTENCIA DEL QUEMADOR	Hp (BTU/h)	88 (224000)	100 (254000)
CONSUMO MÁXIMO DE COMBUSTIBLE	GPH (kg/h)	1.72 (5.5)	2.01 (6.5)
FUERZA DE RETROCESO DE LA PISTOLA PULVERIZADORA MANUAL (MÁX.)	N	31	45
TAMAÑO DE LA BOQUILLA	-	042	040
COMBUSTIBLES			
TIPO DE COMBUSTIBLE	-	Diesel or Home Heating Oil	Diesel or Home Heating Oil
DEPOSITO DE COMBUSTIBLE	gal (l)	9.8 (37.1)	9.8 (37.1)
BOQUILLA DE COMBUSTIBLE	-	1.35x45W	1.50x45W
CANTIDAD DE ACEITE	Gal (l)	0.26 (0.99)	0.26 (0.99)
TIPO DE ACEITE	-	SAE 0W 40	SAE 0W 40
MEDIDAS Y PESOS			
LONGITUD X ANCHURA X ALTURA	in (mm)	46.4" x 28.4" x 38.3" (1177x720x972)	46.4" x 28.4" x 38.3" (1177x720x972)
PESO DE ENVIO	lbs (kg)	507 (230)	507 (230)
PESO DEL APARATO	lbs (kg)	420 (190)	420 (190)



THANK YOU!
MERCI! ¡GRACIAS! DANKE!



Register your product and benefit from many advantages.

Enregistrez votre produit et bénéficiez de nombreux avantages.

Registre su producto y aproveche de muchas ventajas.

Registrieren Sie Ihr Produkt und Sie von vielen Vorteilen.

www.kaercher.com/welcome



Rate your product and tell us your opinion.

Évaluez votre produit et donnez-nous votre opinion.

Reseña su producto y díganos su opinión.

Bewerten Sie Ihr Produkt und sagen Sie uns Ihre Meinung.



www.kaercher.com/dealersearch

Kärcher North America
6398 N Kärcher Way
Aurora, CO 80019
Phone: +1 800 444-7654

