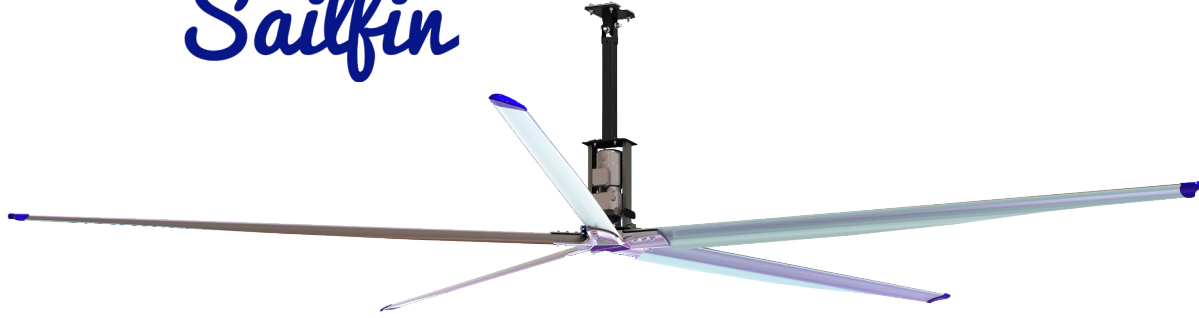


Altra-Air Sailfin

EN675X5006



3.7 M (12 FT) ALTRA-AIR SAILFIN FAN SPECIFICATIONS

General

| | |
|------------------------|--------------------|
| Diameter..... | 3.7 m (12 ft) |
| Number of Blades..... | 5 |
| Motor Power..... | 0.75 kW (1 HP) |
| Noise Level..... | 62.5 dBA |
| Weight (no mount)..... | 50.4 kgs (111 lbs) |

Performance

| | |
|---------------------------------|-------------------------|
| Maximum Velocity..... | 1.96 m/s (386 ft/min) |
| Airflow..... | 33,236 l/s (70,424 CFM) |
| Maximum Speed..... | 105 RPM |
| Power Usage..... | 782 W |
| Maximum Effective Diameter..... | 24 m (80 ft) |

Gear Motor

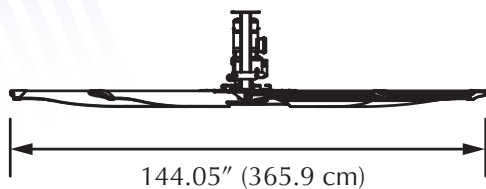
| | |
|-----------------------|-------------------------------|
| Type..... | Helical Inline Reducer |
| HP..... | 1 HP (50 Hz / 60 Hz) |
| Ratio..... | 13.39 |
| Volts..... | 230 V / 400 V / 460 V / 575 V |
| Amps Consumed..... | 3 A @ 230 V |
| Insulation Class..... | F |
| Torque..... | 53Nm (39 ft-lbs) |
| Thrust..... | 125 N (28 lbs) |

Warranty

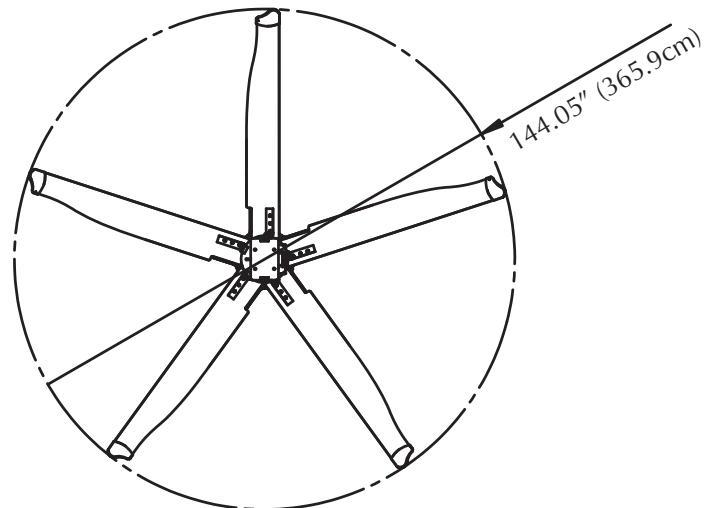
| | |
|-------------------------------------|----------|
| Motor, Gearbox & Control Panel..... | 3 Years |
| Blades, Hub & Mounting System..... | Lifetime |

*Please see Altra-Air Installation Guide for warranty specifications and exclusions.

* These specifications are guidelines only and are subject to change without notice.



Sailfin Blade Profile



ENVIRA-NORTH
SYSTEMS LIMITED

(519) 527-2198

www.enviranorth.com