



Dura-Lite

RIDGE VENT

Owner's Manual



92 Railway Street, PO Box 668
Seaforth, Ontario, Canada
N0K 1W0
(519) 527-2470
www.sunnorth.com

Table of Contents

I.	Table of Contents	2
II.	Introduction	2
	Overview	2
	Important Information	2
III.	Maintenance	2
IV.	Parts & Components List	3
V.	Warranty	3
	Labour.....	3
	Product.....	3

Introduction

Overview

This Owner's Manual contains all essential information for the user to make full use of Sun-North's Dura-Lite Ridge Vent system.

Important Information

The Dura-Lite Ridge Vent system is designed to provide extra light for use in conjunction with Sun-North's Max-Vent Insulated Chimneys and/or other ventilation products. Dura-Lite Ridge Vent does provide a minimal amount of ventilation.

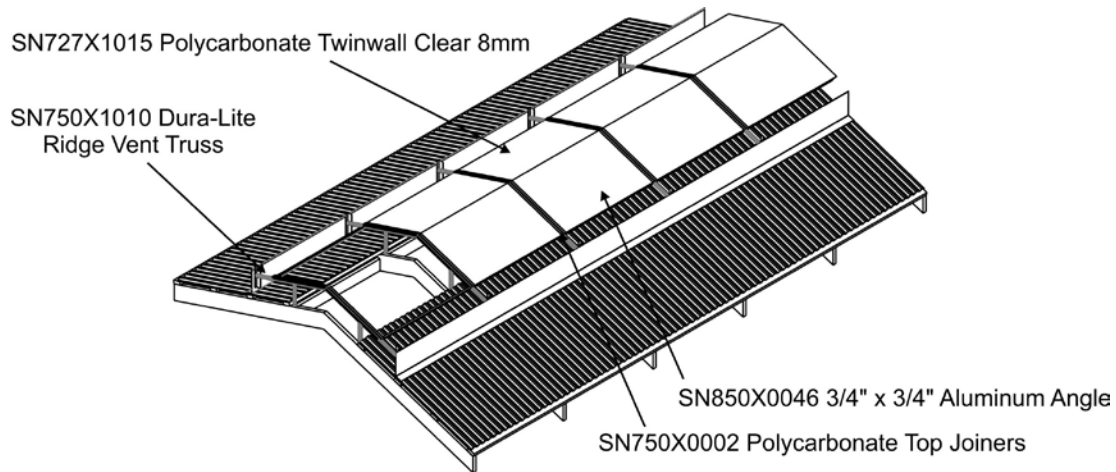
Keep all areas below the Dura-Lite Ridge Vent system free of obstructions that could impede light penetration.

Maintenance

The durable corrosion resistant construction provides years or maintenance free operation. Routine cleaning (to both the outside and inside) with non-abrasive, mild detergent can be applied at the owner's discretion. Low pressure water supply is acceptable (high pressure water will cause damage to the glazing).

*****Do not wash during cold weather as there may be a risk of freezing*****

Parts & Components List



Warranty

Labour

When a Sun-North installer delivers and installs Sun-North products, then the labour on that portion of the product he installed is warranted for 60 days from the date of installation. If there is a problem within 60 days, a Sun-North installer will return and repair the problem free of charge. If the customer installs the product, this labour warranty is not valid.

Product

This warranty covers defects in manufacturing for a period of three (3) years. Products that are not installed or maintained properly and/or are damaged by carelessness are not covered by this warranty.

Defective Products or material will be promptly repaired or replaced at Sun-North's plant, free of charge within the first 12 months from date of purchase (replacement is at Sun-North's discretion). This does not cover labour to remove or replace parts of freight, to and from the plant. Within the remaining 2 years of the warranty, Sun-North will repair the defective material at Sun-North's lowest shop rate of \$25/man hour, plus the base cost of replacement parts.

******Sun-North will be responsible only for repairs or replacements of defective material, and will NOT be liable for any incidental or consequential damages arising out of the occurrence of such defects.***

******Sun-North shall not be liable or responsible for personal injury or damage to property caused directly or indirectly by the supplied material or product.***

