


HORST
WAGONS



2015 Running Gear

CAPACITY OVERVIEW WAGONS AND TRAILERS

Features					
	4-Wheel	4-Wheel	6-Wheel	8-Wheel (Quad Steer)	Trailer Chassis
Weight Capacity	6-24 ton	15-24 ton	12-30 ton	16-40 ton	20-24 ton
Wagon Tongue	Retractable	Retractable	Retractable	Retractable	Clevis Hitch
Tapered Bearings	Yes	Yes	Yes	Yes	Yes
Ball Joints	Automotive	Automotive	Automotive	Automotive	NA
Tandem Axle	No	No	Rear	Rear	Rear
Models	145 (8 ton) 185 (10 ton) 185F (6 ton) 205 (12 ton) 275 (14 ton) 285 (15 ton) 365 (20 ton) 485 (24 ton)	285RF (15 ton) 365RF (20 ton) 485RF (24 ton)	245 (12 ton) 265 (14 ton) 325 (18 ton) 505 (22 ton) 605 (30 ton)	208 Quad (16 ton) 208H Quad (16 ton) 308 Quad (20 ton) 608 Quad (40 ton)	TR505 (20 ton) TR605 (24 ton)

STANDARD & OPTIONAL EQUIPMENT FOR RUNNING GEAR

NOTE: Standard and optional running gear equipment varies. Verify features and options availability on model page or specifications listing on pages 44-45.

Bolsters / Rocking Bolsters



Front

Back

Our heavy duty bolsters let you solidly attach your load from Gravity Bins to Hay Racks. The Rocking Bolster design allows heavy loads some flex and movement reducing stress on the running gear and providing a better ride. Rocking bolsters are standard equipment on all square tube equipped non-suspension running gear.

Safety Chains



Our Grade 70 safety chains in 3/8 and 1/2 inch sizes make sure your wagon is secure.

Spring Balancers

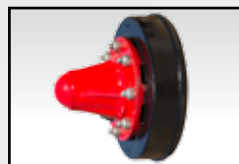


Double

Single

For tongue consisting of spring adjustable bolt and two bolt-on brackets.

Brake Systems



Drum

Disc

For added safety and stopping power we have brake systems available in drum and disc configurations.

4 Wheel

LEADERS IN FOLLOWING

Our industry leading No-Sway trailing ensures that our wagons follow your lead. Tapered roller bearings on the king pins and automotive style ball joints not only keep our wagons behind you they also provide years of hard working service. From field to farm Horst Wagons are built to get you there.

NOTE: The rated capacities provided are for the chassis only and rims and tires should be matched accordingly when ordered.



STANDARD FEATURES



RETRACTABLE AUTOMATIC RELOCK TONGUE LATCH
(with standard variable adjustment)

Take the precision work out of hooking up by freely moving the tongue into place and watch it lock into place as soon as it's in motion.



TAPERED ROLLER BEARINGS IN MAIN PIVOT POINTS

Roller bearings keep pivot points tight, ensuring no trailer sway and long-lasting use.



AUTOMOTIVE BALL JOINTS

Automotive style ball joints not only keep our wagons behind you, they also provide years of hard working service.



12,000 lbs

TO



48,000 lbs

MODEL 145

FEATURES

- 8 ton wagon gear
- Quick hitch tongue
- Standard reach length 6' 7"
- Wheel Base adjustable 7'-11'
- Hubs - 6 Bolt 4,000 LBS.



Tire Size	Tire Type	Rim Size	Track Width
11L x 15	8 Ply	15 x 8 x 6	74"
225/75 R15	D Range	15 x 6 x 6	74"
12.5L x 15	10 Ply	15 x 10 x 6	75"
245 R16	Used Truck / New Tubes	16 x 8 x 6	74"
11L x 15	D Range / Hwy Ser.	15 x 8 x 6 HD	74"
11L x 15	F Range / Hwy Ser.	15 x 8 x 6 HD	74"
26 x 12	12 Ply	12 x 10.5 x 6	80"

Options

- Optional 10' reach length (wheel base adj. 11' to 14')
- High clearance option (6" increase - refer to specification page 44)
- Narrow track (Custom Build)
- Wide track (Custom Build)
- Safety chain (3/8" GR. 70)
- Spring balancer for tongue consisting of spring adjustable bolt and two brackets

MODEL 185



FEATURES

- 10 ton wagon gear
- Quick hitch tongue
- Standard reach length 11'
- Wheel Base adjustable 8' 8" - 11' 2"
- Hubs - 6 Bolt 6,000 LBS.

Tire Size	Tire Type	Rim Size	Track Width
11L x 15	8 Ply	15 x 8 x 6	76"
225/75 R15	D Range	15 x 6 x 6	76"
12.5L x 15	10 Ply	15 x 10 x 6	77"
245 R16	Used Truck / New Tubes	16 x 8 x 6	76"
11L x 15	D Range / Hwy Ser.	15 x 8 x 6 HD	76"
11L x 15	F Range / Hwy Ser.	15 x 8 x 6 HD	76"

Options

- Optional Reach Lengths: 9', 11', 12', 14', 16', 18', 20', 22'
- More than 11' - Add \$18/foot | Less than 11' - Subtract \$18/foot (includes both reach poles)
- High clearance option (6" increase - refer to specification page 44)
- Narrow track (Custom Build)
- Wide track (Custom Build)
- Safety chain (3/8" GR. 70)
- Spring balancer for tongue consisting of spring adjustable bolt and two brackets
- Double spring balancer
- Rocking bolster
- Rocking bolster for ammonia tank

MODEL 185F

FEATURES

- Four Wheel Steer
- 6 ton wagon gear
- Quick hitch tongue
- Standard reach length 11'
- Wheel Base Fixed 11' 2"
- Hubs - 6 Bolt 6,000 LBS.



Tire Size	Tire Type	Rim Size	Track Width
11L x 15	8 Ply	15 x 8 x 6	72"
225/75 x 15	D Range	15 x 6 x 6	72"
12.5L x 15	10 Ply	15 x 10 x 6	73"
245 R16	Used Truck / New Tubes	16 x 8 x 6	72"
11L x 15	F Range / Hwy Ser.	15 x 8 x 6 HD	72"

Options
Optional Reach Lengths: 9', 11', 12', 14', 16', 18', 20', 22'
More than 11' - Add \$18/foot Less than 11' - Subtract \$18/foot (includes both reach poles)
High clearance option (6" increase - refer to specification page 44)
Narrow track (Custom Build)
Wide track (Custom Build)
Safety chain (3/8" GR. 70)
Spring balancer for tongue consisting of spring adjustable bolt and two brackets
Double spring balancer
Rocking bolster
Rocking bolster for ammonia tank

MODEL 205



FEATURES

- 12 ton wagon gear
- Quick hitch tongue
- Standard reach length 11'
- Wheel Base adjustable 8' 8" - 11' 2"
- Hubs - 8 Bolt 6,500 LBS.

Tire Size	Tire Type	Rim Size	Track Width
12.5L x 16	14 Ply	16 x 10 x 8	82"
12.5L x 15	F Range / Hwy Ser.	15 x 10 x 8 HD	82"
14L x 16.1	8 Ply	16.1 x W11C x 8	82"
14L x 16.1	12 Ply	16.1 x W11C x 8	82"
16.5 x 16.1	10 Ply	16.1 x W14C x 8	86"
11 x 22.5	Used Truck	22.5 x 8.25 x 8	82"
11 x 22.5	New Recap	22.5 x 8.25 x 8	82"
12 or 315 x 22.5	Used Truck	22.5 x 8.25 x 8	82"
12 or 315 x 22.5	New Recap	22.5 x 8.25 x 8	82"
305 x 22.5	Used Truck	22.5 x 8.25 x 8	82"
305 x 22.5	New Recap	22.5 x 8.25 x 8	82"
11 x 22.5	Used Truck	22.5 x 8.25 x 8 HD	82"
11 x 22.5	New Recap	22.5 x 8.25 x 8 HD	82"
12 or 315 x 22.5	Used Truck	22.5 x 8.25 x 8 HD	82"
12 or 315 x 22.5	New Recap	22.5 x 8.25 x 8 HD	82"
305 x 22.5	Used Truck	22.5 x 8.25 x 8 HD	82"
305 x 22.5	New Recap	22.5 x 8.25 x 8 HD	82"
385 x 22.5	Used Truck	22.5 x 11.25 x 8	88"
385 x 22.5	New Recap	22.5 x 11.25 x 8	88"
425 x 22.5	Used Truck	22.5 x 11.25 x 8	88"
425 x 22.5	New Recap	22.5 x 11.25 x 8	88"

Options

- Optional Reach Lengths: 9', 11', 12', 14', 16', 18', 20', 22'
- More than 11' - Add \$18/foot | Less than 11' - Subtract \$18/foot (includes both reach poles)
- Narrow track (Custom Build)
- Wide track (Custom Build)
- 2 wheel free backing surge brakes c/w double spring balancer (includes brake tongue)
- Brake setup charges
- Safety chain (3/8" GR. 70)
- Spring balancer for tongue consisting of spring adjustable bolt and two brackets
- Double spring balancer
- Rocking bolster
- Rocking bolster for ammonia tank

MODEL 275



FEATURES

- 14 ton wagon gear
- Quick hitch tongue
- Standard reach length 11'
- Wheel Base adjustable 8' 8" - 11' 2"
- Hubs - 8 Stud 8,000 LBS.

Tire Size	Tire Type	Rim Size	Track Width
14L x 16.1	8 Ply	16.1 x W11C x 8	89"
14L x 16.1	12 Ply	16.1 x W11C x 8	89"
16.5 x 16.1	10 Ply	16.1 x W14C x 8	93"
19L x 16.1	10 Ply	16.1 x W16C x 8	95"
21.5 x 16.1	14 Ply	16.1 x W16C x 8	95"
11 x 22.5	Used Truck	22.5 x 8.25 x 8 HD	89"
11 x 22.5	New Recap	22.5 x 8.25 x 8 HD	89"
12 or 315 x 22.5	Used Truck	22.5 x 8.25 x 8 HD	89"
12 or 315 x 22.5	New Recap	22.5 x 8.25 x 8 HD	89"
305 x 22.5	Used Truck	22.5 x 8.25 x 8 HD	89"
305 x 22.5	New Recap	22.5 x 8.25 x 8 HD	89"
385 x 22.5	Used Truck	22.5 x 11.75 x 8	87"
385 x 22.5	New Recap	22.5 x 11.75 x 8	87"
425 x 22.5	Used Truck	22.5 x 11.75 x 8	87"
425 x 22.5	New Recap	22.5 x 11.75 x 8	87"
425 x 22.5	Used Truck	22.5 x 13 x 8	86"
425 x 22.5	New Recap	22.5 x 13 x 8	86"
445 x 22.5	Used Truck	22.5 x 13 x 8	86"
445 x 22.5	New Recap	22.5 x 13 x 8	86"

Options
Optional Reach Lengths: 9', 11', 12', 14', 16', 18', 20', 22'
More than 11' - Add \$18/foot Less than 11' - Subtract \$18/foot (Includes both reach poles)
Narrow track (Custom Build)
Wide track (Custom Build)
2 wheel free backing surge brakes c/w double spring balancer (includes brake tongue)
Disc brake flanges (for future brake add on)
2 wheel HD hydraulic disc brakes (remote) must use 22.5 rim
Brake setup charges
Safety chain (3/8" GR. 70)
Spring balancer for tongue consisting of spring adjustable bolt and two brackets
Double spring balancer
Rocking bolster

* Hydraulic brake system also works on a brake pedal outlet kit.

MODEL 285

HEAVY DUTY WAGON



FEATURES

- 15 ton HD wagon gear
- Quick hitch tongue
- Rocking bolster
- Standard reach length 10'
- Wheel Base adjustable 10' 7" - 12' 1"
- Hubs - 8 Stud 8,000 LBS.

Tire Size	Tire Type	Rim Size	Track Width
16.5 x 16.1	10 Ply	16.1 x W14C x 8	93"
19L x 16.1	10 Ply	16.1 x W16C x 8	95"
21.5 x 16.1	14 Ply	16.1 x W16C x 8	95"
11 x 22.5	Used Truck	22.5 x 8.25 x 8 HD	89"
11 x 22.5	New Recap	22.5 x 8.25 x 8 HD	89"
12 or 315 x 22.5	Used Truck	22.5 x 8.25 x 8 HD	89"
12 or 315 x 22.5	New Recap	22.5 x 8.25 x 8 HD	89"
305 x 22.5	Used Truck	22.5 x 8.25 x 8 HD	89"
305 x 22.5	New Recap	22.5 x 8.25 x 8 HD	89"
385 x 22.5	Used Truck	22.5 x 11.75 x 8	87"
385 x 22.5	New Recap	22.5 x 11.75 x 8	87"
425 x 22.5	Used Truck	22.5 x 13 x 8	86"
425 x 22.5	New Recap	22.5 x 13 x 8	86"
445 x 22.5	Used Truck	22.5 x 13 x 8	86"
445 x 22.5	New Recap	22.5 x 13 x 8	86"

Options

- Optional Reach Lengths: 8', 10', 12', 14', 16', 18', 20'
- More than 10' - Add \$38/foot | Less than 10' - Subtract \$38/foot (includes both reach poles)
- Narrow track (Custom Build)
- Wide track (Custom Build)
- Disc brake flanges (for future brake add on)
- 2 wheel HD hydraulic disc brakes (remote) must use 22.5 rim
- Brake setup charges
- Safety chain (1/2" GR. 70)
- Spring balancer for tongue consisting of spring adjustable bolt and two brackets
- Double spring balancer

* Hydraulic brake system also works on a brake pedal outlet kit.

MODEL 365

HEAVY DUTY WAGON



FEATURES

- 20 ton HD wagon gear
- Quick hitch tongue
- Rocking bolster
- Standard reach length 10'
- Wheel Base adjustable 10' 7" - 12' 1"
- Hubs - 8 Stud 12,000 LBS.

Tire Size	Tire Type	Rim Size	Track Width
16.5 x 16.1	10 Ply	16.1 x W14C x 8	93"
19L x 16.1	10 Ply	16.1 x W16C x 8	95"
21.5 x 16.1	14 Ply	16.1 x W16C x 8	95"
425 x 22.5	Used Truck	22.5 x 13 x 8	86"
425 x 22.5	New Recap	22.5 x 13 x 8	86"
445 x 22.5	Used Truck	22.5 x 13 x 8	86"
445 x 22.5	New Recap	22.5 x 13 x 8	86"
400 / 55 x 22.5	16 Ply	22.5 x 13 x 8	86"

Options

- Optional Reach Lengths: 8', 10', 12', 14', 16', 18', 20'
- More than 10' - Add \$38/foot | Less than 10' - Subtract \$38/foot (includes both reach poles)
- Disc brake flanges (for future brake add on)
- 2 wheel HD hydraulic disc brakes (remote) must use 22.5 rim
- Brake setup charges
- Safety chain (1/2" GR. 70)
- Spring balancer for tongue consisting of spring adjustable bolt and two brackets
- Double spring balancer

* Hydraulic brake system also works on a brake pedal outlet kit.

MODEL 485

HEAVY DUTY WAGON



FEATURES

- 24 ton HD wagon gear
- Quick hitch tongue
- Rocking bolster
- Standard reach length 10'
- Wheel Base adjustable 10' 7" - 12' 1"
- Hubs - 10 Stud 16,000 LBS.

Tire Size	Tire Type	Rim Size	Track Width
425 x 22.5	Used Truck	22.5 x 13 x 10	86"
425 x 22.5	New Recap	22.5 x 13 x 10	86"
445 x 22.5	Used Truck	22.5 x 13 x 10	86"
445 x 22.5	New Recap	22.5 x 13 x 10	86"
400 / 55 x 22.5	16 Ply	22.5 x 13 x 10	86"
550 / 45 x 22.5	16 Ply	22.5 x 16 x 10	92"

Options
Optional Reach Lengths: 8', 10', 12', 14', 16', 18', 20'
More than 10' - Add \$38/foot Less than 10' - Subtract \$38/foot (includes both reach poles)
Disc brake flanges (for future brake add on)
2 wheel HD hydraulic disc brakes (remote)
Brake setup charges
Safety chain (1/2" GR. 70)
Double spring balancer

* Hydraulic brake system also works on a brake pedal outlet kit.

4 Wheel



SMOOTH TRAVEL ROAD FLEX WAGONS

Ideal for high speed tractors our new line of ROAD FLEX running gear use suspension blocks to help eliminate bumps and vibrations when traveling down the road or through the field. ROAD FLEX suspension not only reduces the stress from towing heavy loads but also provides increased stability to Horst wagons. In addition Road Flex suspension provides independent four wheel suspension which eliminates the need for rocking bolsters.

NOTE: The rated capacities provided are for the chassis only and rims and tires should be matched accordingly when ordered.



STANDARD FEATURES



RETRACTABLE AUTOMATIC RELOCK TONGUE LATCH
(with standard variable adjustment)

Take the precision work out of hooking up by freely moving the tongue into place and watch it lock into place as soon as it's in motion.



TAPERED ROLLER BEARINGS IN MAIN PIVOT POINTS

Roller bearings keep pivot points tight, ensuring no trailer sway and long-lasting use.



AUTOMOTIVE BALL JOINTS

Automotive style ball joints not only keep our wagons behind you they also provide years of hard working service.



ROAD FLEX

Road Flex suspension uses shock absorbing blocks to reduce the amount of bounce the wagon encounters as it's pulled down the road or across the field.



30,000 lbs

TO



48,000 lbs

MODEL 285RF

HEAVY DUTY SUSPENSION WAGON



FEATURES

- 15 ton HD wagon gear
- Road Flex Suspension
- Quick hitch tongue
- Standard reach length 10'
- Wheel Base adjustable 10' 7" - 12' 1"
- Hubs - 8 Stud 8,000 LBS.

Tire Size	Tire Type	Rim Size	Track Width
16.5 x 16.1	10 Ply	16.1 x W14C x 8	93"
19L x 16.1	10 Ply	16.1 x W16C x 8	95"
21.5 x 16.1	14 Ply	16.1 x W16C x 8	95"
11 x 22.5	Used Truck	22.5 x 8.25 x 8 HD	89"
11 x 22.5	New Recap	22.5 x 8.25 x 8 HD	89"
12 or 315 x 22.5	Used Truck	22.5 x 8.25 x 8 HD	89"
12 or 315 x 22.5	New Recap	22.5 x 8.25 x 8 HD	89"
305 x 22.5	Used Truck	22.5 x 8.25 x 8 HD	89"
305 x 22.5	New Recap	22.5 x 8.25 x 8 HD	89"
385 x 22.5	Used Truck	22.5 x 11.75 x 8	87"
385 x 22.5	New Recap	22.5 x 11.75 x 8	87"
425 x 22.5	Used Truck	22.5 x 13 x 8	86"
425 x 22.5	New Recap	22.5 x 13 x 8	86"
445 x 22.5	Used Truck	22.5 x 13 x 8	86"
445 x 22.5	New Recap	22.5 x 13 x 8	86"

Options
Optional Reach Lengths: 8', 10', 12', 14', 16', 18', 20'
More than 10' - Add \$38/foot Less than 10' - Subtract \$38/foot (includes both reach poles)
Narrow track (Custom Build)
Wide track (Custom Build)
Disc brake flanges (for future brake add on)
2 wheel HD hydraulic disc brakes (remote) must use 22.5 rim
4 wheel HD hydraulic disc brakes (remote) must use 22.5 rim
Brake setup charges
Safety chain (1/2" GR. 70)
Spring balancer for tongue consisting of spring adjustable bolt and two brackets
Double spring balancer

* Hydraulic brake system also works on a brake pedal outlet kit.

MODEL 365RF

HEAVY DUTY SUSPENSION WAGON



FEATURES

- 20 ton HD wagon gear
- Road Flex Suspension
- Quick hitch tongue
- Standard reach length 10'
- Wheel Base adjustable 10' 7" - 12' 1"
- Hubs - 8 Stud 12,000 LBS.

Tire Size	Tire Type	Rim Size	Track Width
16.5 x 16.1	10 Ply	16.1 x W14C x 8	93"
19L x 16.1	10 Ply	16.1 x W16C x 8	95"
21.5 x 16.1	14 Ply	16.1 x W16C x 8	95"
425 x 22.5	Used Truck	22.5 x 13 x 8	86"
425 x 22.5	New Recap	22.5 x 13 x 8	86"
445 x 22.5	Used Truck	22.5 x 13 x 8	86"
445 x 22.5	New Recap	22.5 x 13 x 8	86"
400 / 55 x 22.5	16 Ply	22.5 x 13 x 8	86"

Options
Optional Reach Lengths: 8', 10', 12', 14', 16', 18', 20'
More than 10' - Add \$38/foot Less than 10' - Subtract \$38/foot (includes both reach poles)
Disc brake flanges (for future brake add on)
2 wheel HD hydraulic disc brakes (remote) must use 22.5 rim
4 wheel HD hydraulic disc brakes (remote) must use 22.5 rim
Brake setup charges
Safety chain (1/2" GR. 70)
Spring balancer for tongue consisting of spring adjustable bolt and two brackets
Double spring balancer

* Hydraulic brake system also works on a brake pedal outlet kit.

MODEL 485RF

HEAVY DUTY SUSPENSION WAGON



FEATURES

- 24 ton HD wagon gear
- Road Flex Suspension
- Quick hitch tongue
- Standard reach length 10'
- Wheel Base adjustable 10' 7" - 12' 1"
- Hubs - 10 Stud 16,000 LBS.

Tire Size	Tire Type	Rim Size	Track Width
425 x 22.5	Used Truck	22.5 x 13 x 10	86"
425 x 22.5	New Recap	22.5 x 13 x 10	86"
445 x 22.5	Used Truck	22.5 x 13 x 10	86"
445 x 22.5	New Recap	22.5 x 13 x 10	86"
400 / 55 x 22.5	16 Ply	22.5 x 13 x 10	86"
550 / 45 x 22.5	16 Ply	22.5 x 16 x 10	92"

Options

- Optional Reach Lengths: 8', 10', 12', 14', 16', 18', 20'
- More than 10' - Add \$38/foot | Less than 10' - Subtract \$38/foot (includes both reach poles)
- Disc brake flanges (for future brake add on)
- 2 wheel HD hydraulic disc brakes (remote)
- 4 wheel HD hydraulic disc brakes (remote)
- Brake setup charges
- Safety chain (1/2" GR. 70)
- Double spring balancer

* Hydraulic brake system also works on a brake pedal outlet kit.

6 Wheel

LEADERS ROLL WITH THE UPS AND DOWNS

Our 6 Wheel models feature rear walking beam axles to provide a more confident smoother ride. Featuring our proven double reach poles provide the strength needed to turn tandems. The 6 wheels give extra weight capacity and excellent flotation on loads from 12 to 30 tons.

NOTE: The rated capacities provided are for the chassis only and rims and tires should be matched accordingly when ordered.



STANDARD FEATURES



RETRACTABLE AUTOMATIC RELOCK TONGUE LATCH
(with standard variable adjustment)

Take the precision work out of hooking up by freely moving the tongue into place and watch it lock into place as soon as it's in motion.



TAPERED ROLLER BEARINGS IN MAIN PIVOT POINTS

Roller bearings keep pivot points tight, ensuring no trailer sway and long-lasting use.



AUTOMOTIVE BALL JOINTS

Automotive style ball joints not only keep our wagons behind you they also provide years of hard working service.



TANDEM WALKING BEAM AXLE

Ensures weight is evenly distributed on the back wheels across a variety of terrain. Triangulated for increased strength the tandem axle uses two mounts reducing flex under travel.



24,000 lbs

TO



60,000 lbs

MODEL 245



FEATURES

- 12 ton tandem wagon gear
- Quick hitch tongue
- Standard reach length 11'
- Wheel Base adjustable 8' 8" - 11' 2"
- Hubs - 6 Bolt 6,000 Lbs.

Tire Size	Tire Type	Rim Size	Track Width
11L x 15	8 Ply	15 x 8 x 6	76"
225/75 R15	D Range	15 x 6 x 6	76"
12.5L x 15	10 Ply	15 x 10 x 6	77"
245 R16	Used Truck / New Tubes	16 x 8 x 6	76"
11L x 15	D Range / Hwy Ser.	15 x 8 x 6 HD	76"
11L x 15	F Range / Hwy Ser.	15 x 8 x 6 HD	76"

Options
Optional Reach Lengths: 9', 11', 12', 14', 16', 18', 20', 22'
More than 11' - Add \$18/foot Less than 11' - Subtract \$18/foot (includes both reach poles)
Narrow track (Custom Build)
Wide track (Custom Build)
Safety chain (3/8" GR. 70)
Spring balancer for tongue consisting of spring adjustable bolt and two brackets
Double spring balancer
Rocking bolster
Rocking bolster for ammonia tank

MODEL 265



FEATURES

- 14 ton tandem wagon gear
- Quick hitch tongue
- Standard reach length 11'
- Wheel Base adjustable 8' 8" - 11' 2"
- Hubs - 8 Bolt 6,500 LBS.

Tire Size	Tire Type	Rim Size	Track Width
12.5L x 15	10 Ply	15 x 10 x 8	82"
12.5L x 16	14 Ply	16 x 10 x 8	82"
12.5L x 15	F Range / Hwy Ser.	15 x 10 x 8 HD	82"
14L x 16.1	8 Ply	16.1 x W11C x 8	82"
14L x 16.1	12 Ply	16.1 x W11C x 8	82"

Options
Optional Reach Lengths: 9', 11', 12', 14', 16', 18', 20', 22'
More than 11' - Add \$18/foot Less than 11' - Subtract \$18/foot (includes both reach poles)
Narrow track (Custom Build)
Wide track (Custom Build)
2 wheel free backing surge brakes c/w double spring balancer (includes brake tongue)
4 wheel surge brakes
Additional set up charge for brakes
Safety chain (3/8" GR. 70)
Spring balancer for tongue consisting of spring adjustable bolt and two brackets
Double spring balancer
Rocking bolster
Rocking bolster for ammonia tank

MODEL 325



FEATURES

- 18 ton tandem wagon gear
- Quick hitch tongue
- Standard reach length 11'
- Wheel Base Adjustable 8' 8" - 11' 2"
- Hubs - 8 Stud 12,000 Lbs.

Tire Size	Tire Type	Rim Size	Track Width
14L x 16.1	8 Ply	16.1 x W11C x 8	89"
14L x 16.1	12 Ply	16.1 x W11C x 8	89"
16.5 x 16.1	10 Ply	16.1 x W14C x 8	93"
19L x 16.1	10 Ply	16.1 x W16C x 8	95"
21.5 x 16.1	14 Ply	16.1 x W16C x 8	95"
11 x 22.5	Used Truck	22.5 x 8.25 x 8 HD	89"
11 x 22.5	New Recap	22.5 x 8.25 x 8 HD	89"
12 or 315 x 22.5	Used Truck	22.5 x 8.25 x 8 HD	89"
12 or 315 x 22.5	New Recap	22.5 x 8.25 x 8 HD	89"
305 x 22.5	Used Truck	22.5 x 8.25 x 8 HD	89"
305 x 22.5	New Recap	22.5 x 8.25 x 8 HD	89"
385 x 22.5	Used Truck	22.5 x 11.75 x 8	87"
385 x 22.5	New Recap	22.5 x 11.75 x 8	87"
425 x 22.5	Used Truck	22.5 x 11.75 x 8	87"
425 x 22.5	New Recap	22.5 x 11.75 x 8	87"
425 x 22.5	Used Truck	22.5 x 13 x 8	86"
425 x 22.5	New Recap	22.5 x 13 x 8	86"
445 x 22.5	Used Truck	22.5 x 13 x 8	86"
445 x 22.5	New Recap	22.5 x 13 x 8	86"
400/55 22.5	16 Ply	22.5 x 13 x 8	86"

Options

- Optional Reach Lengths: 9', 11', 12', 14', 16', 18', 20', 22'
- More than 11' - Add \$18/foot | Less than 11' - Subtract \$18/foot (includes both reach poles)
- Narrow track (Custom Build)
- Wide track (Custom Build)
- 2 wheel HD hydraulic disc brakes (remote) must use 22.5 rim
- 4 wheel HD hydraulic disc brakes (remote) must use 22.5 rim
- Disc brake flanges for future add on (per axle)
- Additional set up charge for brakes
- Safety chain (1/2" GR. 70)
- Spring balancer for tongue consisting of spring adjustable bolt and two brackets
- Double spring balancer
- Rocking bolster

* Hydraulic brake system also works on a brake pedal outlet kit.

MODEL 505

HEAVY DUTY WAGON



FEATURES

- 22 ton HD tandem wagon gear
- Quick hitch tongue
- Rocking Bolster
- Standard reach length 10'
- Wheel Base adjustable 10' 7" - 12' 1"
- Hubs - 8 Stud 12,000 LBS.

Tire Size	Tire Type	Rim Size	Track Width
16.5 x 16.1	10 Ply	16.1 x W14C x 8	93"
19L x 16.1	10 Ply	16.1 x W16C x 8	97"
21.5 x 16.1	14 Ply	16.1 x W16C x 8	97"
425 x 22.5	Used Truck	22.5 x 13 x 8	86"
425 x 22.5	New Recap	22.5 x 13 x 8	86"
445 x 22.5	Used Truck	22.5 x 13 x 8	86"
445 x 22.5	New Recap	22.5 x 13 x 8	86"
400 / 55 x 22.5	16 Ply	22.5 x 13 x 8	86"

Options

- Optional Reach Lengths: 8', 10', 12', 14', 16', 18', 20'
- More than 10' - Add \$38/foot | Less than 10' - Subtract \$38/foot (includes both reach poles)
- Narrow track (Custom Build)
- 4 wheel HD hydraulic disc brakes (remote) must use 22.5 rim
- 2 wheel HD hydraulic disc brakes (remote) must use 22.5 rim
- Disc brake flanges for future add on (per axle)
- Additional set up charge for brakes
- Safety chain (1/2" GR. 70)
- Spring balancer for tongue consisting of spring adjustable bolt and two brackets
- Double spring balancer

* Hydraulic brake system also works on a brake pedal outlet kit.

MODEL 605

HEAVY DUTY WAGON



FEATURES

- 30 ton HD tandem wagon gear
- Quick hitch tongue
- Rocking Bolster
- Standard reach length 10'
- Wheel Base adjustable 10' 7" - 12' 1"
- Hubs - 10 Stud 16,000 LBS.

Tire Size	Tire Type	Rim Size	Track Width
425 x 22.5	Used Truck	22.5 x 13 x 10	86"
425 x 22.5	New Recap	22.5 x 13 x 10	86"
445 x 22.5	Used Truck	22.5 x 13 x 10	86"
445 x 22.5	New Recap	22.5 x 13 x 10	86"
400 / 55 x 22.5	16 Ply	22.5 x 13 x 10	86"
550 / 45 x 22.5	16 Ply	22.5 x 16 x 10	92"

Options

- Optional Reach Lengths: 8', 10', 12', 14', 16', 18', 20'
- More than 10' - Add \$38/foot | Less than 10' - Subtract \$38/foot (includes both reach poles)
- Narrow track (Custom Build)
- 4 Wheel HD hydraulic disc brakes (remote)
- 2 wheel HD hydraulic disc brakes (remote)
- Disc brake flanges for future add on (per axle)
- Additional set up charge for brakes
- Safety chain (1/2" GR. 70)
- Double spring balancer

* Hydraulic brake system also works on a brake pedal outlet kit.

8 Wheel

LEADERS RISE ABOVE

The true power of 4 x 4. Horst Wagons welcomes you to a new generation of running gear. Designed for smoother travel and minimal soil compaction, the QuadSteer is changing the way you move from the field to the farm. With the addition of a dual front axle set, the QuadSteer combines two advantages into one: improved floatation and easier steering. Unlike any other running gear, the QuadSteer's second steering axle provides better weight distribution at the front of the wagon - especially while turning, when soil compaction happens most.

NOTE: The rated capacities provided are for the chassis only and rims and tires should be matched accordingly when ordered.



STANDARD FEATURES



RETRACTABLE AUTOMATIC RELOCK TONGUE LATCH
(with standard variable adjustment)

Take the precision work out of hooking up by freely moving the tongue into place and watch it lock into place as soon as it's in motion.



TAPERED ROLLER BEARINGS IN MAIN PIVOT POINTS

Roller bearings keep pivot points tight, ensuring no trailer sway and long-lasting use.



AUTOMOTIVE BALL JOINTS

Automotive style ball joints not only keep our wagons behind you they also provide years of hard working service.



TANDEM WALKING BEAM AXLE

Ensures weight is evenly distributed on the back wheels across a variety of terrain. Triangulated for increased strength the tandem axle uses two mounts reducing flex under travel.



QUAD STEER FRONT WHEELS

Our dual front axle set provides better weight distribution allowing easier steering and a smoother ride.



32,000 lbs

TO



80,000 lbs

MODELS 208 & 208H



FEATURES

208H has increased spacing between tandem wheels to allow for larger diameter tires.

- 16 ton double tandem wagon gear
- Quick hitch tongue
- Front Tandem had quad steering c/w bearings on king pins
- Standard reach length 11'
- Wheel Base adjustable 11' 10" - 14' 4"
- Hubs - 8 Bolt 6,500 LBS.

208	Tire Size	Tire Type	Rim Size	Track Width
	12.5L x 16	14 Ply	16 x 10 x 8	82"
	12.5L x 15	F Range / Hwy Ser.	15 x 10 x 8 HD	82"
	14L x 16.1	8 Ply	16.1 x W11C x 8	82"
	14L x 16.1	12 Ply	16.1 x W11C x 8	82"

208H	Tire Size	Tire Type	Rim Size	Track Width
	16.5 x 16.1	10 Ply	16.1 x W14C x 8	86"
	11 x 22.5	Used Truck	22.5 x 8.25 x 8 HD	82"
	11 x 22.5	New Recap	22.5 x 8.25 x 8 HD	82"
	12 or 315 x 22.5	Used Truck	22.5 x 8.25 x 8 HD	82"
	12 or 315 x 22.5	New Recap	22.5 x 8.25 x 8 HD	82"
	305 x 22.5	Used Truck	22.5 x 8.25 x 8 HD	82"
	305 x 22.5	New Recap	22.5 x 8.25 x 8 HD	82"
	385 x 22.5	Used Truck	22.5 x 11.25 x 8	88"
	385 x 22.5	New Recap	22.5 x 11.25 x 8	88"
	425 x 22.5	Used Truck	22.5 x 11.25 x 8	88"
	425 x 22.5	New Recap	22.5 x 11.25 x 8	88"

Options

- Optional Reach Lengths: 9', 11', 12', 14', 16', 18', 20', 22'
- More than 11' - Add \$18/foot | Less than 11' - Subtract \$18/foot (includes both reach poles)
- 2 wheel free backing surge brakes
- 4 wheel surge brakes
- Brake setup charges
- Safety chain (1/2" GR. 70)
- Spring balancer for tongue consisting of spring adjustable bolt and two brackets
- Double spring balancer

* Wheelbase from centre of rear tandem to front axle of front tandem.

MODEL 308



FEATURES

- 20 ton double tandem wagon gear
- Quick hitch tongue
- Standard reach length 11'
- Wheel Base Adjustable 12' 7" - 15' 1"
- Hubs - 8 Stud 12,000 LBS.

Tire Size	Tire Type	Rim Size	Track Width
14L x 16.1	8 Ply	16.1 x W11C x 8	89"
14L x 16.1	12 Ply	16.1 x W11C x 8	89"
16.5 x 16.1	10 Ply	16.1 x W14C x 8	93"
19L x 16.1	10 Ply	16.1 x W16C x 8	95"
21.5 x 16.1	14 Ply	16.1 x W16C x 8	95"
11 x 22.5	Used Truck	22.5 x 8.25 x 8 HD	89"
11 x 22.5	New Recap	22.5 x 8.25 x 8 HD	89"
12 or 315 x 22.5	Used Truck	22.5 x 8.25 x 8 HD	89"
12 or 315 x 22.5	New Recap	22.5 x 8.25 x 8 HD	89"
305 x 22.5	Used Truck	22.5 x 8.25 x 8 HD	89"
305 x 22.5	New Recap	22.5 x 8.25 x 8 HD	89"
385 x 22.5	Used Truck	22.5 x 11.75 x 8	87"
385 x 22.5	New Recap	22.5 x 11.75 x 8	87"
425 x 22.5	Used Truck	22.5 x 11.75 x 8	87"
425 x 22.5	New Recap	22.5 x 11.75 x 8	87"
425 x 22.5	Used Truck	22.5 x 13 x 8	86"
425 x 22.5	New Recap	22.5 x 13 x 8	86"
445 x 22.5	Used Truck	22.5 x 13 x 8	86"
445 x 22.5	New Recap	22.5 x 13 x 8	86"

Options

- Optional Reach Lengths: 9', 11', 12', 14', 16', 18', 20', 22'
- More than 11' - Add \$18/foot | Less than 11' - Subtract \$18/foot (includes both reach poles)
- 4 wheel HD hydraulic disc brakes (remote) must use 22.5 rim
- 2 wheel HD hydraulic disc brakes (remote) must use 22.5 rim
- Additional set up charge for brakes
- Safety chain (1/2" GR. 70)
- Spring balancer for tongue consisting of spring adjustable bolt and two brackets
- Double spring balancer

* Hydraulic brake system also works on a brake pedal outlet kit.

MODEL 608

HEAVY DUTY WAGON



FEATURES

- 40 ton double tandem wagon gear
- Quick hitch tongue
- Rocking Bolster
- Standard reach length 10'
- Wheel Base Adjustable 15' 2" - 16' 8"
- Hubs - 10 Stud 16,000 LBS.

Tire Size	Tire Type	Rim Size	Track Width
425 x 22.5	Used Truck	22.5 x 13 x 10	86"
425 x 22.5	New Recap	22.5 x 13 x 10	86"
445 x 22.5	Used Truck	22.5 x 13 x 10	86"
445 x 22.5	New Recap	22.5 x 13 x 10	86"
400 / 55 x 22.5	16 Ply	22.5 x 13 x 10	86"
550 / 45 x 22.5	16 Ply	22.5 x 16 x 10	92"

Options

- Optional Reach Lengths: 8', 10', 12', 14', 16', 18', 20'
- More than 10' - Add \$38/foot | Less than 10' - Subtract \$38/foot (includes both reach poles)
- 4 wheel HD hydraulic disc brakes (remote)
- 2 wheel HD hydraulic disc brakes (remote)
- Additional set up charge for brakes
- Safety chain (1/2" GR. 70)
- Double spring balancer

* Hydraulic brake system also works on a brake pedal outlet kit.

T railer Chassis

TRAILER RUNNING GEAR

Our trailer chassis running gear offers all the strength and quality of our wagon models but with the easy to use features and handling of a standard tandem axle trailer. Three pairs of fixed bolsters provide the flexibility you need to mount a variety of forage boxes, gravity boxes, or racks.



JACK STAND
(with standard variable adjustment)

Welded jack stand supports the trailer chassis when not in use. It features a quick release foot to partially raise it before cranking.



SAFETY CHAINS
Safety chains to help provide safe towing



PIVOTING HITCH
The pivoting clevis helps to reduce the operating tension at the hitch, allowing the towed unit and the tow vehicle to track independently over uneven ground.



TANDEM WALKING BEAM AXLE
Ensures weight is evenly distributed on the back wheels across a variety of terrain. Triangulated for increased strength the tandem axle uses two mounts reducing flex under travel.



TO



MODEL TR505



FEATURES

- 20 ton trailer style running gear
- Hubs - 8 Stud 12,000 LBS.
- Fixed Bolsters 11'2"
- Heavy Duty Jack
- Safety Chain (1/2" GR. 70)

Tire Size	Tire Type	Rim Size	Track Width
16.5 x 16.1	10 Ply	16.1 x W14C x 8	93"
19L x 16.1	10 Ply	16.1 x W16C x 8	97"
21.5 x 16.1	14 Ply	16.1 x W16C x 8	97"
425 x 22.5	Used Truck	22.5 x 13 x 8	86"
425 x 22.5	New Recap	22.5 x 13 x 8	86"
445 x 22.5	Used Truck	22.5 x 13 x 8	86"
445 x 22.5	New Recap	22.5 x 13 x 8	86"
400 / 55 x 22.5	16 Ply	22.5 x 13 x 8	86"

Options

4 Wheel HD hydraulic disc brakes (remote) must use 22.5 rim

2 wheel HD hydraulic disc brakes (remote) must use 22.5 rim

Disc brake flanges for future add on (per axle)

Additional set up charge for brakes

* Hydraulic brake system also works on a brake pedal outlet kit.



MODEL TR605



FEATURES

- 24 ton trailer style running gear
- Hubs - 10 Stud 16,000 LBS.
- Fixed Bolsters 11'2"
- Heavy Duty Jack
- Safety Chain (1/2" GR. 70)

Tire Size	Tire Type	Rim Size	Track Width
425 x 22.5	Used Truck	22.5 x 13 x 10	86"
425 x 22.5	New Recap	22.5 x 13 x 10	86"
445 x 22.5	Used Truck	22.5 x 13 x 10	86"
445 x 22.5	New Recap	22.5 x 13 x 10	86"
400 / 55 x 22.5	16 Ply	22.5 x 13 x 10	86"
550 / 45 x 22.5	16 Ply	22.5 x 16 x 10	92"

Options

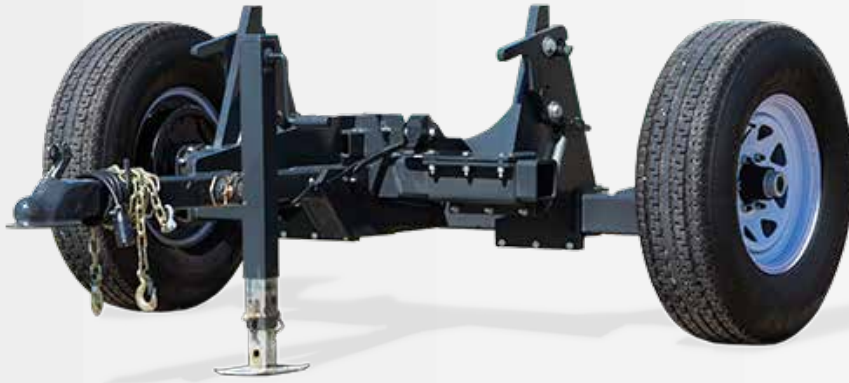
- 4 Wheel HD hydraulic disc brakes (remote)
- 2 wheel HD hydraulic disc brakes (remote)
- Disc brake flanges for future add on (per axle)
- Additional set up charge for brakes

* Hydraulic brake system also works on a brake pedal outlet kit.



2PH DOLLY

The new trailer Dolly from Horst provides a safe economical platform for transporting 2PH implements.



FEATURES

- Capacity 5,000 LBS.
- Ball Hitch (2-5/16)
- 7 pin RV style connector (to vehicle)
- Electric Brakes
- 235/85 R16 highway trailer tires
- 16 x 8 x 6 Rim
- Compatible with Category 2, 3N, and 3 point hitches
- Safety lock securely holds pins
- 2" receiver for draw bars
- 7 pin ag receptical for implement electrics



WAGON SPECIFICATIONS

Model	4 Wheel Models				
	145	185	185F	205	275
Capacity*	16,000 lbs	20,000 lbs	12,000 lbs	24,000 lbs	28,000 lbs
Spindles	1-3/4" Dia. C1045 Hot Rolled	2" Dia. C1045 Hot Rolled	2" Dia. C1045 Hot Rolled	2-1/4" Dia. C1045 Cold Rolled	2-3/4" Dia. C1045 Cold Rolled
Hubs	6 Bolt 4,000 LBS.	6 Bolt 6,000 LBS.	6 Bolt 6,000 LBS.	8 Bolt 6,500 LBS.	8 Stud 8,000 LBS.
Bearings - Bore Size (Inner/Outer)	Taper Roller 1.50 / 1.25	Taper Roller 1.80 / 1.38	Taper Roller 1.80 / 1.38	Taper Roller 1.80 / 1.38	Taper Roller 2.165 / 1.625
Front Axle	5.5 x 3 x .188 WALL	6 x 3 x .250 WALL	6 x 3 x .250 WALL	7 x 3 x .250 WALL	8 x 3.5 x .250 WALL
Rear Axle	5.5 x 3 x .188 WALL	6 x 3 x .250 WALL	6 x 3 x .250 WALL	7 x 3 x .250 WALL	8 x 3.5 x .250 WALL
Tongue Bracket Mounting	1-1/2" Bolt Bearing Mtd.				
Tongue Bolt	7/8" Diameter	1-1/8" Diameter			
Tongue Latch	Retractable Automatic Relock - Standard on All Models				
Reach Poles	3" O.D. x .188 Wall - Round Tube				
Wheel Base	Adjustable				
Bolster Stakes	Adjustable 38.5" - 40.5" - 42.5"				42.5" Fixed
Steering	Automotive Type				
Tie Rod Ends	Greasable Automotive Style Ball Joints				
Height from Ground to Top of Bunk	24" on 11L x 15 Tires	24" on 11L x 15 Tires	24" on 11L x 15 Tires	26" on 12.5 x 16 Tires 30" on 11 x 22.5 Tires	30" on 11 x 22.5 Tires
Approx. Weight**	520 LBS.	725 LBS.	985 LBS.	830 LBS.	995 LBS.
2 Wheel Hyd. Drum Surge Brakes	N/A	N/A	N/A	Optional	Optional
2 Wheel Hydraulic Disc Brakes	N/A	N/A	N/A	N/A	Optional
4 Wheel Hydraulic Disc Brakes	N/A	N/A	N/A	N/A	N/A
Safety Chain (optional)	3/8" GR. 70				
Spring Balancer Kit	Optional				
Rocking Bolster	Optional				

HEAVY DUTY WAGON SPECIFICATIONS

Model	4 Wheel Models			6 Wheel Models	
	285	365	485	505	605
Capacity*	30,000 LBS.	40,000 LBS.	48,000 LBS.	44,000 LBS.	60,000 LBS.
Spindles	2.75" Dia. C1045 Cold Rolled	3" Dia. 1144 Stress Proof	4" Dia. C1045 Cold Rolled	2-3/4" Dia C1045 Cold Rolled	4" Dia. C1045 Cold Rolled
Hubs	8 Stud 8,000 LBS.	8 Stud 12,000 LBS.	10 Stud 16,000 LBS.	8 Stud 12,000 LBS.	10 Stud 16,000 LBS.
Front Axle	8 x 4 x .250 WALL	10 x 4 x .250 WALL	10 x 4 x .500 WALL	10 x 4 x .250 WALL	10 x 4 x .500 WALL
Rear Axle	8 x 4 x .188 WALL	10 x 4 x .188 WALL	10 x 4 x .375 WALL	10 x 4 x .375 WALL	10 x 4 x .500 WALL
Tongue Bracket Mounting	1-1/2" Bolt Bearing Mtd.				
Tongue Bolt	1-1/8" Dia.	1-1/8" Dia.	1-1/2" Dia.	1-1/8" Dia.	1-1/2" Dia.
Bolster	Flexible Front				
Reach Tubes	6 x 4 x .188 Tubes				
Bolster Stakes	42.5" Fixed				
Steering	Automotive Type				
Tie Rod Ends	Greasable Automotive Style Ball Joints				
Wheel Base	Adjustable				
Height from Ground to Top of Bunk	32" on 445/65 x 22.5 Tires	34" on 445/65 x 22.5 Tires	34" on 445/65 x 22.5 Tires	32" on 445/65 x 22.5 Tires	34" on 445/65 x 22.5 Tires
Approx. Weight**	1,425 LBS.	1,575 LBS.	2,175 LBS.	2,385 LBS.	3,260 LBS.
2 Wheel Hydraulic Disc Brakes	Optional				
4 Wheel Hydraulic Disc Brakes	N/A	N/A	N/A	Optional	Optional
Safety Chain (Optional)	1/2" GR 70				
Spring Balancer Kit	Optional				
Rocking Bolster	Standard				

*The rated capacities provided are for the chassis only and rims and tires should be matched accordingly when ordered.

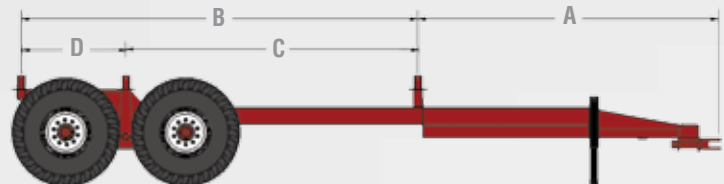
** Noted weights are approximate and less rims and tires.

6 Wheel Models			8 Wheel Models			
245	265	325	208	208H	308	608
24,000 LBS.	28,000 LBS.	36,000 LBS.	32,000 LBS.	32,000 LBS.	40,000 LBS.	80,000 LBS.
Front: 2-3/4" Dia. C1045 Cold Rolled Rear: 2-1/4" Dia. C1045 Cold Rolled	2-1/4" Dia. C1045 Cold Rolled	3" Dia. C1045 Cold Rolled	2-1/4" Dia. C1045 Cold Rolled	2-1/4" Dia. C1045 Cold Rolled	3" Dia. C1045 Cold Rolled	4" Dia. C1045 Cold Rolled
6 Bolt 6,000 LBS.	8 Bolt 6,500 LBS.	8 Stud 12,000 LBS.	8 Bolt 6,500 LBS.	8 Bolt 6,500 LBS.	8 Stud 12,000 LBS.	10 Stud 16,000 LBS.
Taper Roller 1.80 / 1.38	Taper Roller 1.80 / 1.38	Taper Roller 2.165 / 1.625	Taper Roller 1.80 / 1.38	Taper Roller 1.80 / 1.38	Taper Roller 2.165 / 1.625	Taper Roller 2.165 / 1.625
6 x 3 x .250 WALL	7 x 3 x .250 WALL	8 x 3.5 x .250 WALL	7 x 3 x .250 WALL	7 x 3 x .250 WALL	8 x 3.5 x .250 WALL	10 x 4 x .500 WALL
6 x 3 x .250 WALL	7 x 3 x .313 WALL	8 x 4 x .250 WALL	7 x 3 x .313 WALL	7 x 3 x .313 WALL	8 x 4 x .250 WALL	10 x 4 x .500 WALL
1-1/2" Bolt Bearing Mtd.						
1-1/8" Diameter						1-1/2" Dia.
Retractable Automatic Relock - Standard on All Models						
3" O.D. x .188 Wall - Round Tube						6 x 4 x .188 Tubes
Adjustable						
Adjustable 38.5" - 40.5" - 42.5"	42.5" Fixed					
Automotive Type						
Greasable Automotive Style Ball Joints						
23" on 11L x 15 Tires	26" on 12.5 x 16 Tires 30" on 11 x 22.5 Tires	30" on 11 x 22.5 Tires	26" on 12.5 x 16 Tires 30" on 11 x 22.5 Tires	26" on 12.5 x 16 Tires 30" on 11 x 22.5 Tires	30" on 11 x 22.5 Tires	24" on 445/65 x 22.5 Tires
970 LBS.	1,135 LBS.	1,475 LBS.	1,655 LBS.	1,655 LBS.	2,115 LBS.	2,985 LBS.
N/A	Optional	N/A	Optional	Optional	N/A	N/A
N/A	N/A	Optional	N/A	N/A	Optional	Optional
N/A	N/A	Optional	N/A	N/A	Optional	Optional
3/8" GR. 70				1/2" GR 70		
Optional						
Optional			N/A	N/A	N/A	Standard

TRAILER CHASSIS SPECIFICATIONS

Road Flex Suspension Wagons		
285RF	365RF	485RF
30,000 LBS.	40,000 LBS.	48,000 LBS.
2.75" Dia. C1045 Cold Rolled	3" Dia. 1144 Stress Proof	4" Dia. C1045 Cold Rolled
8 Stud 8,000 LBS.	8 Stud 12,000 LBS.	10 Stud 16,000 LBS.
8 x 4 x .250 WALL	10 x 4 x .250 WALL	10 x 4 x .500 WALL
8 x 4 x .188 WALL	10 x 4 x .188 WALL	10 x 4 x .375 WALL
1-1/2" Bolt Bearing Mtd.		
1-1/8" Dia.	1-1/8" Dia.	1-1/2" Dia.
Flexible Front		
6 x 4 x .188 Tubes		
42.5" Fixed		
Automotive Type		
Greasable Automotive Style Ball Joints		
Adjustable		
32" on 445/65 x 22.5 Tires	34" on 445/65 x 22.5 Tires	34" on 445/65 x 22.5 Tires
3,065 LBS.	3,485 LBS.	4,335 LBS.
Optional		
Optional		
1/2" GR 70		
Optional		
N/A	N/A	N/A

Trailer Chassis		
Model	TR505	TR605
Capacity*	40,000 LBS.	48,000 LBS.
Spindles	2-3/4" Dia C1045 Cold Rolled	4" Dia. C1045 Cold Rolled
Hubs	8 Stud 12,000 LBS.	10 Stud 16,000 LBS.
Bolster Stakes	42.5" Fixed	
Height from Ground to Top of Bunk	32" on 445/65 x 22.5 Tires	34" on 445/65 x 22.5 Tires
Approx. Weight**	2,680 LBS.	3,740 LBS.
2 Wheel Hydraulic Disc Brakes	Optional	
4 Wheel Hydraulic Disc Brakes	Optional	
Safety Chain	1/2" GR 70	



Bolster Measurement A	137"	137"
Bolster Measurement B	156"	182"
Bolster Measurement C	128"	134"
Bolster Measurement D	28"	48"

NEW IMPLEMENT TIRES (FARM UTILITY)

Tire	Ply	Capacity (Lbs/tire)	Description
26 x 12	12 Ply	2,750	Tubeless Tires on 12 x 10.5 x 6 rims
11L x 15	8 Ply	2,540	Farm Utility Tubeless
12.5L x 15	10 Ply	3,420	Farm Utility Tubeless
12.5L x 16	14 Ply	4,180	Farm Utility Tubeless
14L x 16.1	8 Ply	3,860	Farm Utility Tubeless
14L x 16.1	12 Ply	4,680	Farm Utility Tubeless
16.5 x 16.1	10 Ply	5,200	Farm Utility Tubeless
19L x 16.1	10 Ply	6,000	Farm Utility Tubeless
21.5 x 16.1	14 Ply	7,850	Farm Utility Tubeless

Tire Ratings are at 25 mph.



26x12 12 Ply



11L x 15 8 Ply



12.5L x 15 10 Ply



12.5L x 16 14 Ply



14L x 16.1 8 Ply



14L x 16.1 12 Ply



16.5 x 16.1 10 Ply



19L x 16.1 10 Ply



21.5 x 16.1 14 Ply

** Images shown for approximate size and profile of tire and rim package only. Relative wheel picture sizing is approximate.

NEW IMPLEMENT TIRES (HIGHWAY SERVICE)

Tire	Load Range	Capacity (Lbs/tire)	Description
20.5 x 8-10	F	1,800	Tires on 10 x 6 x 6 rims
225/75 R15	D	2,540	Highway Trailer Tubeless Tires on 15 x 6 x 6 rims
235/85 R16	F	3,960	Highway Trailer Tubeless Tires on 16 x 8 x 6 rims
400/55 x 22.5	16 Ply	7,820	Highway Flotation Tubeless Tires on 22.5 x 13
550/45 x 22.5	16 Ply	9,640	Highway Flotation Tubeless Tires on 22.5 x 16
11L x 15	D	3,120	Highway Service Tubeless Tires Must be used with HD rims
11L x 15	F	3,960	Highway Service Tubeless Tires Must be used with HD rims
11L x 15	F	3,690	Highway Service Tubeless Tires for Header Wagon
12.5L x 15	F	4,680	Highway Service Tubeless Tires Must be used with HD rims

Tire Ratings are at 25 mph.



20.5 x 8-10 Load Range F



225/75 R15 Load Range D



235/85 R16 Load Range F



11L x 15 Load Range F



11L x 15 Load Range D



11L x 15 Load Range F



12.5L x 15 Load Range F



Available Sizes:
550/45 x 22.5 16 Ply
400/55 x 22.5 16 Ply

** Images shown for approximate size and profile of tire and rim package only. Relative wheel picture sizing is approximate.

USED TRUCK TIRES

Tire	Tubeless	Capacity (Lbs/tire)*	Rim Size Required
245 R16	New Tubes	3,500	16 x 8
11 x 22.5	Tubeless	8,000	22.5 x 8.25
12 or 315 x 22.5	Tubeless	8,000	22.5 x 8.25
305 x 22.5	Tubeless	8,000	22.5 x 8.25
385 x 22.5 (15 x 22.5)	Tubeless	10,000	22.5 x 11.25 / 22.5 x 11.75
425 x 22.5 (16 x 22.5)	Tubeless	12,000	22.5 x 13.5 / 22.5 x 11.25 / 22.5 x 11.75
445 x 22.5 (18 x 22.5)	Tubeless	12,000	22.5 x 13

* Capacities on used tires are approximate



245 R16

11 x 22.5

305 x 22.5

12 or 315 x 22.5



385 x 22.5 (15 x 22.5)

425 x 22.5 (16 x 22.5)

445 x 22.5 (18 x 22.5)

USED TIRE WARRANTY

We do our own mounting and use only new tubes. They will all be marked and dated. Any tire which goes flat within 90 days of purchase, we will exchange free if it is returned on the rim that it went flat on.

We do not accept repair bills sent to us.

** Images shown for approximate size and profile of tire and rim package only. Relative wheel picture sizing is approximate.

RECAP TRUCK TIRES

Tire	Tubeless	Capacity (Lbs/tire)*	Rim Size Required
11 x 22.5	Tubeless	8,000	22.5 x 8.25
12 or 315 x 22.5	Tubeless	8,000	22.5 x 8.25
305 x 22.5	Tubeless	8,000	22.5 x 8.25
385 x 22.5 (15 x 22.5)	Tubeless	10,000	22.5 x 11.25 / 22.5 x 11.75
425 x 22.5 (16 x 22.5)	Tubeless	12,000	22.5 x 13.5 / 22.5 x 11.25 / 22.5 x 11.75
445 / 50 x 22.5	Tubeless	12,000	22.5 x 13

* Capacities on recap tires are approximate



11 x 22.5



305 x 22.5



12 or 315 x 22.5



385 x 22.5 (15 x 22.5)



425 x 22.5 (16 x 22.5)



445 / 50 x 22.5

** Images shown for approximate size and profile of tire and rim package only. Relative wheel picture sizing is approximate.



Guidelines for Reach Pole Length Requirements

	4 Wheel Std. Wagon	6 Wheel Std. Wagon	4 Wheel HD Wagon	6 Wheel HD Wagon
Forage Box Length				
16' *(Axle Setting of 10'8")	11' Round	11' Round	10' Square	10' Square
18' *(Axle Setting of 11'8")	12' Round	12' Round	12' Square	12' Square
20' *(Axle Setting of 12'8")	14' Round	14' Round	14' Square	14' Square
Flat Rack and/or Bale Carrier Length				
16'	WA145 - 6'7" Round Other Models - 11' Round	11' Round	10' Square	N/A
18'	12' Round	12' Round	10' Square	N/A
20'	14' Round	14' Round	12' Square	N/A
25'	18' Round	16' Round	16' Square	N/A
30'	22' Round	20' Round	20' Square	18' Square
36'	N/A	24' Round (Requires Support)	24' Square	22' Square
Gravity Box Sizes				
250 Bu.	12 to 14 Ton Wagon 9' Round	N/A	N/A	N/A
250-500 Bu.	12 to 14 Ton Wagon 11' Round	N/A	8' Square	N/A
500-600 Bu.	N/A	N/A	10' Square	N/A
750 Bu.	N/A	N/A	14' Square	N/A

* Axle settings are approximate, check forage box manufacturers recommendations.



www.horstwagons.com

Authorized Dealer:

8082 Road 129 RR#3 Listowel, ON Canada N4W 3G8 | orders@horstwelding.com | www.horstwelding.com
Toll Free: 866-567-4162 | Tel: 519-291-4162 | Fax: 519-291-5388