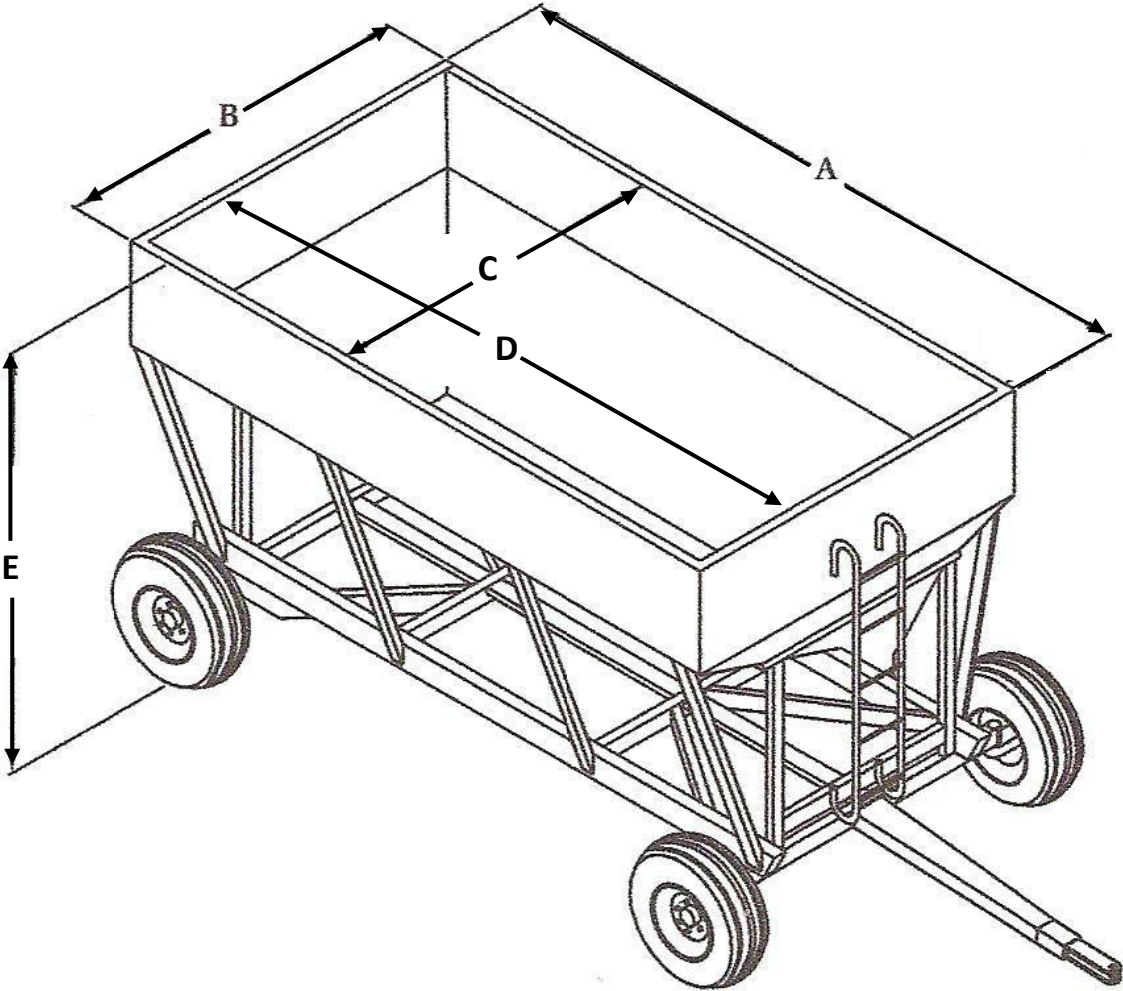


GRAVITY BOX DIMENSION SHEET



MAKE & MODEL OF GRAVITY BOX _____

(A) OVERALL OUTSIDE LENGTH _____

(B) OVERALL OUTSIDE WIDTH _____

(C) INSIDE BOX WIDTH _____

(D) INSIDE BOX LENGTH _____

(E) OVERALL BOX & WAGON HEIGHT _____

FAX TO 519-238-6044 OR E-MAIL TO mfeltd@execulink.com