

RT 30

Rototilt designed for excavators and backhoe loaders with machine weight 6–11 tonnes (13,200–24,250 lb)

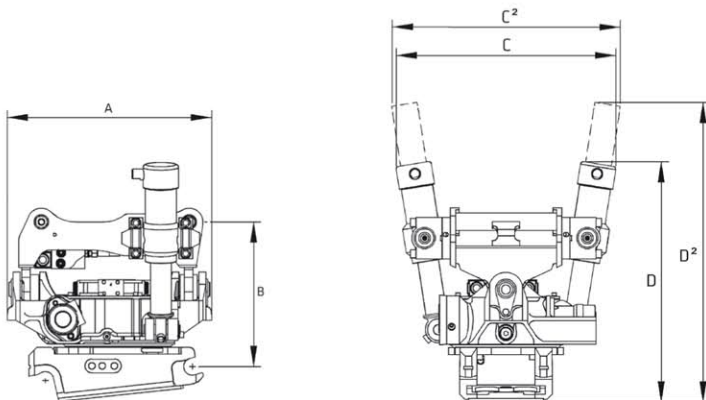


TECHNICAL DATA RT 30	METRIC	IMPERIAL
Min/Max machine weight	6-11 tonnes	13,200-24,250 lb
Maximum standard bucket volume	0,45 m ³	0,59 yd ³
Maximum bucket digging force	70 kN	15,735 lb
Weight	from 255 kg*	560 lb
Tilting angle	2 x 40°	2 x 40°
Rotation	unlimited	unlimited
Rate of rotation (@50 l/min)	1 turn/7 seconds	1 turn/7 seconds
Min/Max connection pressure	20/25 MPa	2900/3626 psi
Working pressure	25 MPa	3626 psi
Max return pressure (@50 l/min)	2 MPa	290 psi
Min/Max connected flow	30/60 l/min	7.9/15.9 gpm
Number of lubrication points	8	8

* The weight depends on the type of adapter, quick coupler and control system.

DIMENSIONS RT 30	MM	INCH
Applies for RT 30 S50/S50		
A	595 mm	23.43 in
B	420 mm	16.54 in
C	635 mm	25.00 in
C ²	660 mm	25.98 in
D	695 mm	27.36 in
D ²	867 mm	34.13 in

² With double acting cylinders



RT 30 Multi/S50 with single acting cylinders



RT 30 S50/S50 with double acting cylinders

The pictures above only show two of several possible configurations for the RT 30.