

**Unverferth**® Tillage

*Ripper-Stripper*® Strip-Till Tillage Tool



**One-Stop,  
Strip-Till Shop**

*Model 330, Model 310*

# Ripper-Stripper®: One-Stop, Strip-Till Shop

## Tillage serves three primary purposes:

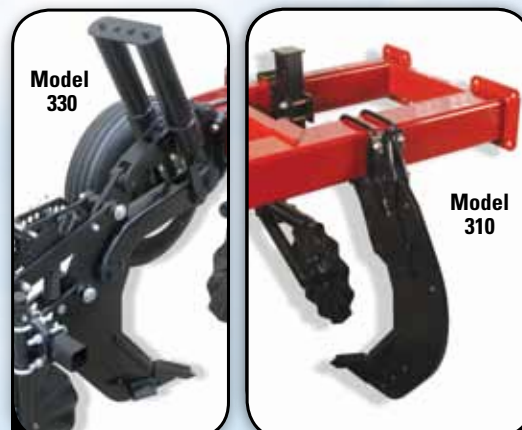
1. Create a seedbed that warms quickly.
2. Provide optimum seed-to-soil contact for enhanced germination and vigorous early plant growth.
3. Make it easy for plant roots, moisture and nutrients to move freely throughout the soil.

The Ripper-Stripper® strip-till tillage tool from Unverferth does it all – in one pass – spring or fall – whether cutting through prior year row crop or cover crop residue.

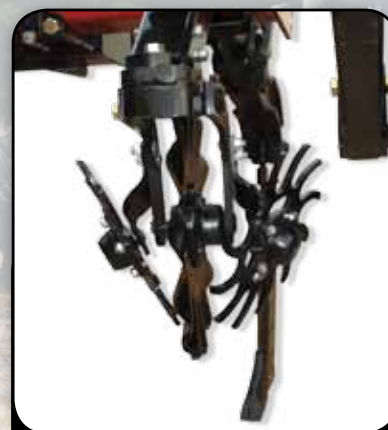
Here's the best part. The Ripper-Stripper strip-till tillage tool, with a large variety of shank, tillage, planter and fertilizer attachments, is easily customized to your exact farming needs.

The Ripper-Stripper is designed from the ground up to provide the most options for matching your soil and management needs. The base unit includes:

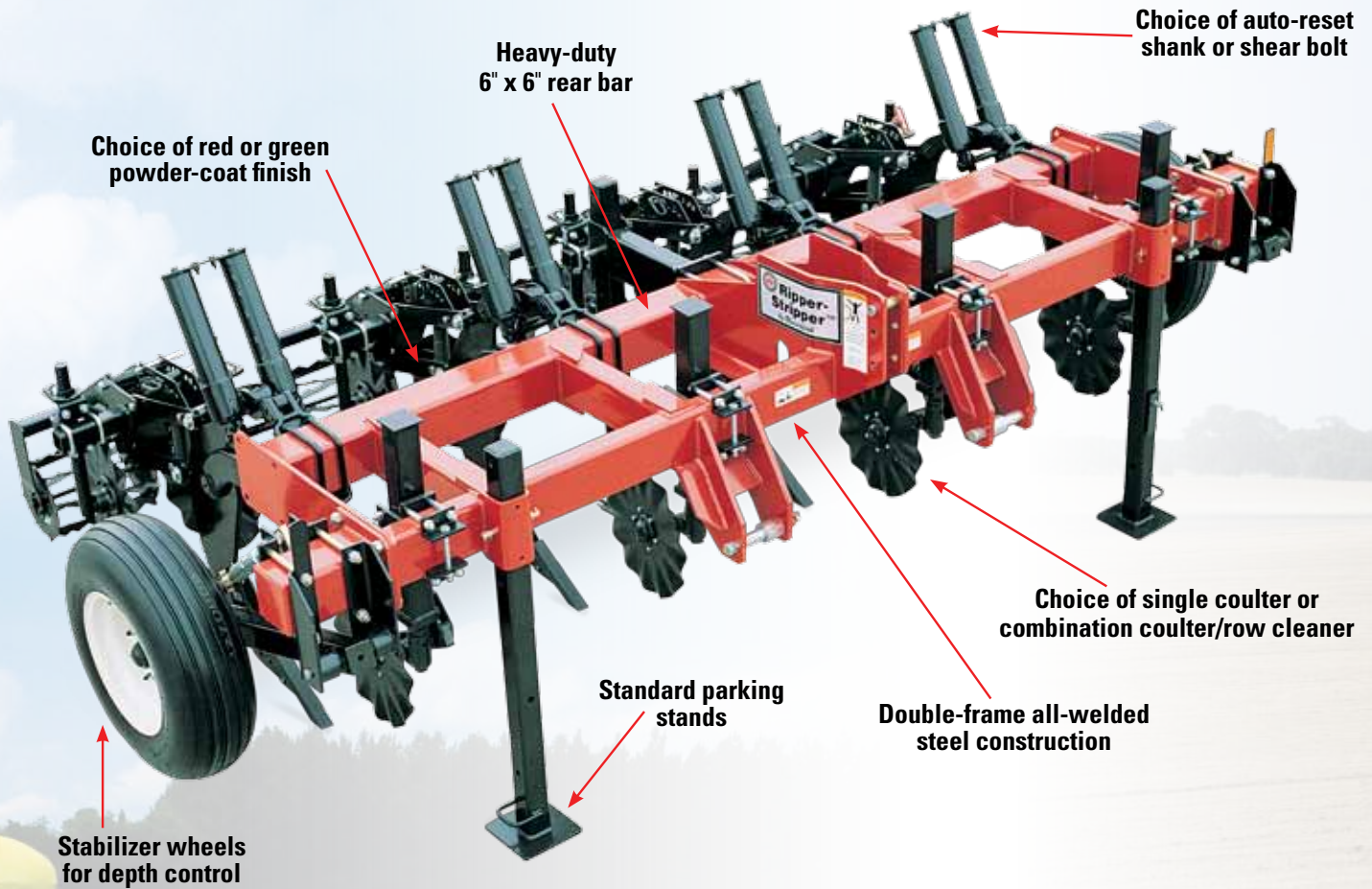
1. Choice of single coulter or Clear Cut Coulter with side-mounted row cleaners to provide residue sizing and clear a path for the shank.
2. The ¾" wide and angled deep-till shanks, in choice of shear bolt protected or automatic reset, break up compaction in the root zone from 9" to 18" with minimal soil disturbance.
  - The model 330 with automatic reset shanks features trip pressure of 6,000 pounds per shank for consistent working depth. They trip upward from a single pivot point reducing rocks and other in-field obstacles to minor inconveniences.
  - The model 310 with shear bolt-protected shanks features trip pressure of 7,500 pounds per shank for use in lighter, obstruction-free soils.
3. A wide variety of shank-mounted seedbed tillage choices to meet your soil and residue conditions complete the tillage trip.



*Special-alloy deep-till shanks feature invertible wearbars for extended shank life and easier pulling.*



*The Clear Cut Coulter ensures a clean and uniform slice, providing an overall more effective strip for optimum seedbed preparation. Its 20", 13-wave blade features 1,500 lbs. of downforce and the swivel couler has a total of 20 degrees of side-to-side travel for contours or obstacles.*



*Raised-center 1 3/4" forged points are standard. Shanks can also be fitted with 7", angle-adjustable wings from 0° to 14° slope for additional shattering action.*

*Available shark fin points minimize soil surface disruption while optimizing residue retention.*

**A pull-type conversion kit for 8-, 12- and 16-row models is available and the models 500 and 300 Implement Caddy are available for 4-, 6- and 8-row units.**



**A pull-through rear hitch is available for towing anhydrous tanks or other fertilizer carriers up to 14,000 lbs. gross vehicle weight and 1,000 lbs. of tongue weight.**





## Seedbed Tillage Options

Several popular tillage attachments are available to match your tillage preferences. All feature parallel-link mounting for consistent operating depth across the field and all are width, depth and downpressure adjustable.



**The dual-coulter strip builders** followed by Rolling Harrow soil conditioner baskets provide a conventionally prepared seedbed. The Rolling Harrow basket features scalloped, angled blades to chop and evenly distribute soil and residue.



**Zone-Firmer wheels** following the strip-till coulters firm the seedbed for better moisture retention in lighter soils. Optional scraper blades are available for wetter soils.



**Notched or smooth concave blades** with concave Rolling Harrow basket for more aggressive tillage. Rolling Harrow basket's spring-tension-controlled downpressure ensures level, consistent operation.



**Two additional coulters** can be added to the standard dual-coulters. The quad-coulter configuration offers more aggressive and thorough tillage.



**Steel shank protectors** (top) enhance shank durability in abrasive soils, while **plastic shank protectors** (bottom) provide non-stick performance in tacky soils.



**Angled press wheels and Zone Firmer wheels** feature adjustable downpressure from 0 to 360 pounds to create a more level soil surface and firmer seedbed in lighter soils.

## Accessories

For a complete one-pass planting system, the Ripper-Stripper strip-till tillage tool can be equipped with a variety of choices for one-pass planting and greater productivity.

The semi-mounted planter attachment easily connects to 4-, 6-, 8- and 12-row models and features casters, lift-assist wheels for faster planter lifting and more stable road transport. Packages include two caster wheels for 4-, 6- and 8-row models; 12-row models are available with three or four. A weight-transfer option with hydraulic accumulator for 12-row units reduces lift requirements of the tractor's three-point hitch.

A lift-assist package for 8-, 12- and 16-row Ripper-Stripper models provides added lifting speed and maximizes the lifting power of the tractor's three-point hitch.

Floating planter-mounting arms that attach directly to 4- and 6-row, shear-bolt protected model 310 Ripper-Stripper implements enable one-pass planting.

Additional options include transport light package for safer road travel, shank mounting extension kits for staggering the shanks rearward, fertilizer injectors and row markers.



*Semi-mounted lift-assist packages that mount directly to 8-, 12- and 16-row planters.*



*Optional hydraulic lift-assist option for more easily raising the Ripper-Stripper unit.*



*Depth-adjustable dry or liquid fertilizer injectors can be mounted to deep-till shanks for in-row fertilizer placement for optimum nutrient uptake.*



*Optional shear-bolt protected row markers with notched blades leave a highly visible mark regardless of soil type or residue level.*

## Specifications

Standard 3-point connections fit category II quick hitch and category III or IV standard, quick and narrow quick hitches, depending on model. Adapter kits for standard category II hitches are also available. Horsepower requirements of 25-35 per shank.

<b>Unverferth Ripper-Stripper® Strip-Till Tillage Tool</b>				
<b>Model Description</b>	<b>Stabilizer tire size</b>	<b>Transport width/height</b>	<b>Model 330 w/ conventional strip builder appx. weight (lbs.)</b>	<b>Model 310 w/ conventional strip builder appx. weight (lbs.)</b>
4-row, 30" spacing – rigid	7.60 x 15 8-ply	11'4"	3,760	3,120
4-row, 36" spacing – rigid	7.60 x 15 8-ply	13'9"	3,900	3,360
4-row, 38" spacing – rigid	7.60 x 15 8-ply	13'9"	3,900	3,360
4-row, 40" spacing – rigid	7.60 x 15 8-ply	13'9"	3,900	3,360
6-row, 30" spacing – rigid	7.60 x 15 8-ply	16'6"	5,305	4,435
6-row, 36" spacing – rigid	7.60 x 15 8-ply	19'5"	5,525	4,680
6-row, 38" spacing – rigid	7.60 x 15 8-ply	19'5"	5,525	4,680
6-row, 36" spacing – folding	9.5L x 15 8-ply	16' / 7'	6,450	5,960
6-row, 38" spacing – folding	9.5L x 15 8-ply	16' / 7'	6,450	5,960
8-row, 30" spacing – rigid	7.60 x 15 8-ply	21'10"	6,655	5,605
8-row, 30" spacing – folding	9.5L x 15 8-ply	15'6" / 7'	7,690	6,665
8-row, 36" spacing – folding	9.5L x 15 8-ply	16'6" / 9'8"	8,075	7,385
8-row, 38" spacing – folding	9.5L x 15 8-ply	16'6" / 9'8"	8,075	7,385
8-row, 40" spacing – folding	9.5L x 15 8-ply	15'6" / 10'2"	8,075	7,385
12-row, 30" spacing – folding	12.5L x 15 10-ply	15'6" / 12'4"	10,725	9,195
12-row, 36" spacing – folding	12.5L x 15 10-ply	10'10" / 11'9"	12,040	10,565
12-row, 38" spacing – folding	12.5L x 15 10-ply	20'3" / 12'7"	12,040	10,565
12-row, 40" spacing – folding	12.5L x 15 10-ply	19'8" / 13'4"	12,110	10,635
16-row, 30" spacing – folding	12.5L x 15 10-ply	19'9" / 13'4"	14,555	13,025

**See your Unverferth dealer today or check our website for complete details on the Ripper-Stripper strip-till tillage tool and customizing it to your specific needs**

Due to continuing improvements in the design and manufacture of Unverferth products, all specifications contained herein are subject to change without notice.



**Manufacturing Company, Inc.**  
P.O. Box 357 • Kalida, Ohio 45853  
(419) 532-3121 • FAX (419) 532-2468  
unverferth.com  
**1-800-322-6301**

Please remind all family members and others to use caution and follow recommended safety practices when around all farm equipment. Unverferth Manufacturing Co., Inc., supports the efforts of Farm Safety 4 Just Kids and all other organizations that promote farm safety.

©2011 Unverferth Manufacturing Co., Inc. Printed in U.S.A.

®™ Trademarks, registered or applied for, of Unverferth Manufacturing Co., Inc., Kalida, OH

Additional facilities in California, Georgia, Iowa, Nebraska, North Dakota, Oregon and Canada



URS11115M7