

Pneumatic seed drills –  
cultivator-mounted and  
modular mounted models



# The Inventors of Pneumatic Seeding Technology



# The Kverneland Accord pneumatic system – Quality with a Long Tradition!



The greatest challenge facing agricultural producers today is how to produce food in constant quantities, at the lowest possible price, but at a consistent high quality. Today's farmer's face many demands. If farmers are to survive in the market despite fluctuating demand, rising costs, an often uncertain legal situation and unpredictable weather conditions, two things are essential: careful planning and reliable technology.

Kverneland Accord has been a reliable partner of the farmer for over 60 years. As a pioneer, the company is continually setting new standards in agricultural technology – to help maximise your profits! Perfect seeding is the first step to high yields. Mistakes made at this early stage are difficult to correct, poor seeding can reduce your yields even before the crop emerges from the soil. The pneumatic seeding technology of Kverneland Accord meets these challenges and guarantees a tailor made precise seeding operation for a great variety of crops with optimum seed distribution and seed placement.

Decades of engineering experience and the competence proven by sales of over 50,000 units of the Kverneland Accord Pneumatic Distribution System, are all part of the products.

Moreover, Kverneland Accord lives up to its slogan "based on practical experience - for the practical application".

The first to develop the  
pneumatic system –  
still the best today!

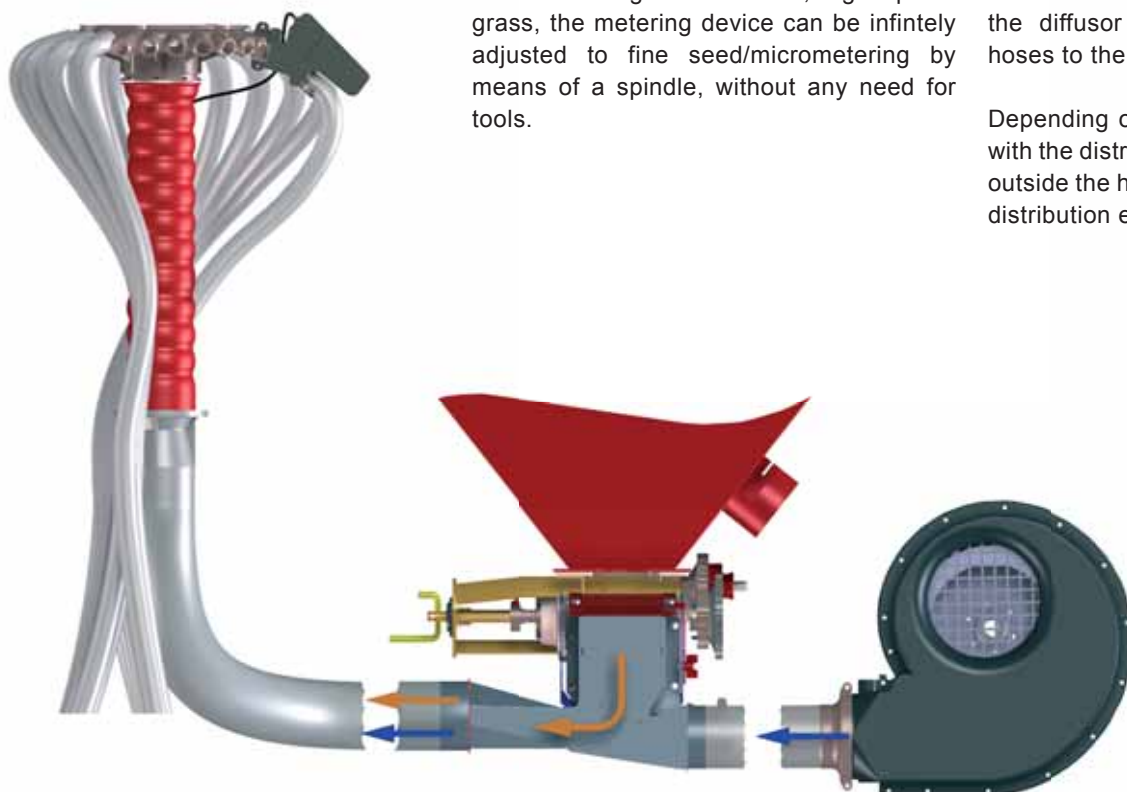
# The Metering and Distribution System in Detail

The central metering device accurately measures any desired volume of seed from 2 kg per hectare to 380 kg per hectare.

For the sowing of fine seeds, e.g. rape or grass, the metering device can be infinitely adjusted to fine seed/micrometering by means of a spindle, without any need for tools.

The central, totally enclosed cell wheel of the metering device accurately measures the required volume of seed and discharges it into the venturi cone where it is mixed with the air stream and then conveyed through the diffusor tube and the seed delivery hoses to the coulters.

Depending on the model, the diffusor tube with the distributor is either located inside or outside the hopper for an excellent diagonal distribution either way.



Setting for normal seed



Setting for fine seeds, with rotary brush

## Exact calibration

Calibration has never been so simple: with easy adjustment of the metering wheel as well as the basic equipment for the weighing (calibration tray, bag, scale), quick and comfortable calibration ensures optimum control!



## Half-width shut-off

The distribution head of the machine can be easily shut-off for half of the working width. Simply loosen the wing bolts, slide down the shut-off plate and change to micro metering, no opening of the distributor head and no exchanging of the cover is required. Retro-fitting is possible by exchanging the distribution head plate.



# Coulter CX-II:

## Shallow - Precise - Efficient



### Cost efficient and accurate

For over 20 years now the CX coulters from Kverneland Accord is well-known throughout the world.

The newly developed CX-II disc coulters combines the advantages of the former CX coulters with the latest research results and customer feedback.

The new CX-II coulters are precise, and very easy to set up. It guarantees smooth running and requires less power to pull than the original CX. The shallower cutting angle of the steel disc requires less coulters pressure to reach a constant seeding depth of up to 6cm.

Smooth operation is ensured when working at high working speeds and large quantities of plant residues on the soil surface. The coulters staggering of 445mm guarantees maximum clearance and helps prevent blockages. The standard press wheels ensure an optimum seed/soil contact in all conditions.

The CX-II disc coulters are available for the following Kverneland Accord seed drills: s-drill/s-drill PRO, i-drill PRO and the DF range.



4 CX-II disc coulters

CX-disc coulters

CX-disc coulters with narrow press wheel (26mm)

CX-disc coulters with wide press wheel (65mm)

Suffolk coulters

Suffolk coulters with ceramic tip

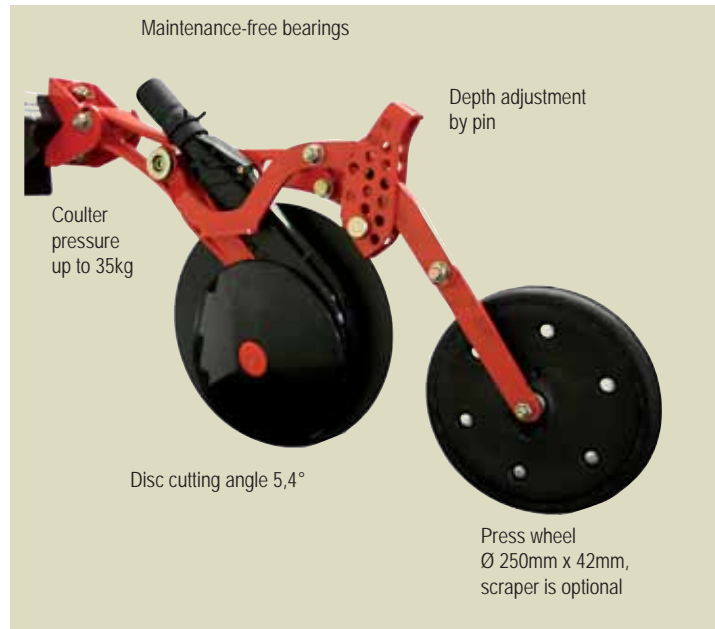
After the field has been prepared using a power harrow or tine cultivator, the 325mm diameter steel disc draws a narrow furrow.

The flat profile disc has a cutting angle of only 5,4° which makes the coulters very easy to pull, thus reducing the power requirement.

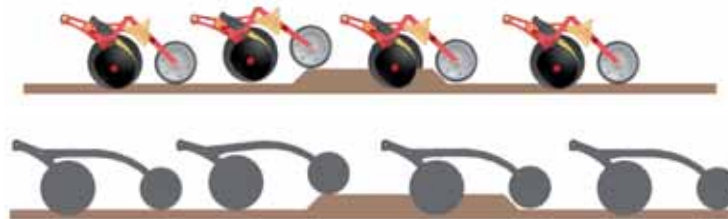
The need for a constant pressure to ensure an optimum penetration of the coulters can be achieved by a pre-loaded spring which is located on the coulters arm. A coulters pressure up to 35kg is possible. Thanks to the combination of steel disc and flexible plastic disc, there is no need for independent scrapers, thus saving costs for expensive wearing parts. In addition the coulters are completely maintenance free!

The press wheels ensure optimum coulters-soil contact. The depth adjustment, carried out without using any tools. For level, even ground it can be set in the rigid position, in cloddy or stony conditions it is set in the flexible position to ensure smooth running, finally in extreme wet conditions the press wheel can be lifted out of work completely.

On slightly sticky soils an optional scraper is recommended.

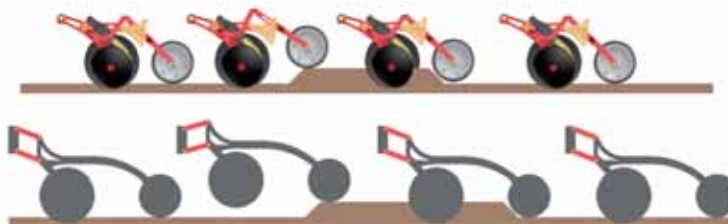


#### CX-II disc with rigid press wheel setting



The seeding depth is affected twice when facing obstacles in the field, the greater the distance between the coulters and the press wheel the more influence it has on seed depth accuracy. The close coupling of the CX-II reduces this effect.

#### CX-II disc with flexible press wheel setting



The seeding depth is only affected once when facing obstacles in the field compared to the rigid position the coulters are more free to follow the ground contours.

The **CX-disc coulters** ensure exact seed placement under both wet and dry conditions.

Due to the combination of convex steel disc and flexible plastic disc, there is no need for independent scrapers saving the costs for expensive wearing parts.

The convex steel disc forms a clean and clear furrow with light recom-

paction. The narrow profile allows higher working speed and the convex form of the disc ensures good depth control.

The flexible plastic disc keeps the furrow open for exact seed placement. It cleans the steel disc and helps prevent sticking and blocking.

Narrow and wide press wheels are available for special seeding

conditions. These press wheels can be fully lifted in case of changing weather conditions.

The Suffolk coulters of Kverneland Accord are especially suitable for sowing after the plough and offers coulters distances between 9.4 and 15cm.

The coulters tip of special cast can be exchanged when worn. There are also low-wear ceramic coulters tips available.

# Kverneland Accord DA The Classic Pneumatic Seed Drill



Adjustment of the metering device requires no tools



Loading step for safe and secure hopper filling





DA, 3m working width, in combination with the Access seedbed cultivator



Quick-hitch triangle interface with power harrow



Distribution head inside the hopper

**Lightweight cultivator-mounted seed drill for power harrows, rotary tillers and tine cultivators (working widths: 2.5 and 3.0m).**

The Kverneland Accord DA is the top-selling pneumatic seed drill for all implement combinations. The easy handling and sturdy yet lightweight design of this professional starter model make it an extremely attractive option.

Thanks to the favourable position of its centre of gravity and its light weight, the Kverneland Accord DA can even be used by smaller tractors with low lifting power. It can be used both solo and as a cultivator-mounted model in combination with a wide variety of tillage implements.

The metering system is mechanically driven via the spiked landwheel running in the tilled soil. The metering device is centrally positioned and easily accessible under the hopper. The 750 litre hopper is fitted with a UV-protective, weatherproof cover. The distribution head is mounted in a protected position

inside the seed hopper. Optional access steps make the seed hopper readily and safely accessible for manual filling. The standard machine is equipped with a 1000 rpm V-belt drive. If required, the Kverneland Accord DA can also be supplied with a hydraulic drive.

The FGS tramline control system and the SIGNUS or ESA electronic seed rate control systems permit accurate tramlining. Exact continuation from one tramline to the next is ensured by the use of hydraulically folding track markers. Seed quantities can be increased or reduced proportionally on specific parts of fields as required using the optional electronic metering device ESA.

# Kverneland Accord *s-drill* I

## More than just a Drill!



The s-drill and s-drill PRO offer you features that ease your workload and make seeding an easy task:



User-friendly hopper design, seeds and distribution head inside are well protected



Comfortable emptying of the hopper



Depending on the soil conditions the pressure and angle of the following harrows can be adjusted manually.



Star wheel with integrated brake to prevent overseeding, e.g. on headlands

The Kverneland Accord s-drill is the heavy-duty version of the DA. Available in working widths of 3.00, 3.50 and 4.00m it is a high-performance machine for large farms and estates.

Due to the large hopper volume of 1050 litres set-up times are reduced and the performance increased. It is easily accessible via the wide loading steps. The seeds as well as the distribution head located inside the hopper are well protected against dust and humidity by the steel cover. The robust cover can be opened completely to allow a hopper filling with front loader, big bags or filling auger.

Thanks to the universal coupling triangle the s-drill can be mounted on existing Kverneland power harrows as well as on other soil preparation tools.

Hydraulic coulters bar lifting is available optionally. The mechanical coulters pressure adjustment is standard equipment, while the

hydraulic version is optional. The reinforced, hydraulic folding marker arms are overload protected and ensure precise continuation from one pass to the next even under difficult conditions.

The integrated brake stops the star wheel and by this the drive of the metering device as soon as the machine is lifted off the ground, e.g. on headlands. This prevents over seeding.

The compact construction of the s-drill close to the tractor reduces the power requirement of the machine.



Universal coupling triangle



Overload protection of the marker arm



# Kverneland Accord *s-drill* PRO

## Strong, Secure, Successful!



The Kverneland Accord s-drill PRO is built similarly to its sister s-drill, but it is fully integrated in a Kverneland power harrow/seed drill combination. In addition the hopper content can be extended to 1,500 litres maximum.

Just as with the i-drill PRO, the coulter bar is connected directly to the packer roller frame. This guarantees a constant depth control of the coulter bar, independent from the working depth of the power harrow.

For solo operation of the power harrow, the s-drill PRO can be quickly and easily dismantled. The interface of the hydraulic and electric connections are safely positioned within the headstock of the power harrow.

The track markers are mounted on the power harrow. The user friendly depth adjustment of the power harrow is also integrated within this bracket.

The s-drill PRO is available in working widths of 3.0, 3.5 and 4.0 m. For safe road transport it can be quickly changed into transport position and is fitted with lighting equipment according to current road traffic regulations.



Great at work - secure on the road



Interface of the hydraulic and electric connections in the headstock of the power harrow



The coulter bar is directly connected to the packer roller frame.



The mechanical coulter pressure adjustment is standard equipment, the hydraulic version is optional

Kverneland Accord *i-drill PRO*

Integrated, Innovative, Intelligent



**The integrated solution for flexible seeding applications**

The Kverneland Accord i-drill PRO is part of a fully integrated power harrow/seed drill combination. Despite the integrated concept, the coulter bar can be coupled or uncoupled quickly, allowing the power harrow also to be used solo.

The seed hopper is mounted directly on the three-point linkage of the Kverneland NG power harrow (models NG-H and NG-S). The distribution head is mounted directly on the coulter bar, allowing the hopper capacity to be increased to up to

1800 litres with use of an optional hopper extension.

The hinged hopper cover can be fully opened for easy filling with a front-loader, Big Bags or a filling auger. The loading platform between hopper and distribution head ensures safe access for filling and maintenance purposes.

Working lights fitted inside and on the outside of the hopper allow safe use even in darkness.

The metering device is mounted on the left side of the machine. This patented

hopper design from Kverneland Accord allows safe and easy access to the seed drill for calibration. The basic equipment for weighing (collection pan, calibration bag and scales) is supplied as standard with the Kverneland Accord i-drill PRO.

The adjustable low-level sensor for the hopper is protected under a viewing window, which can be opened for adjustment and maintenance work. It also allows the operator to see the level of seed in the hopper from the tractor cab.



Easy hopper filling with front loader or big bags.



Easy calibration due to patented placement of the metering device.



Should the power harrow need to be used solo during sowing, the coulters bar and metering landwheel can be lifted completely via the two integrated hydraulic cylinders of the optional hydraulic coulters bar lift system. This is especially advantageous if furrows are to be closed or if the headland is only to be tilled.



The heavy modules (hopper and power harrow) are positioned directly behind the tractor. This arrangement optimises the position of the centre of gravity, meaning less lifting power is required, and ensures the manoeuvrability of the tractor. Road lights are fitted as standard, ensuring safe road transport at any time of the day or night.



**Innovative and precise depth control**  
The packer roller of the power harrow is now mounted on a newly developed parallelogram. The exact seeding depth of the coulters bar running behind the roller frame can be set independently of the working depth and tine wear of the power harrow. The parallelogram can be adjusted in 2.5cm steps, easily and without the need for tools. The adjustment is made on both sides of the power harrow, thus ensuring constant seeding depth.



**Conversion made simple!**  
In a matter of minutes, the solo machine can be converted into a power harrow/seed drill combination. The coulters bar is attached directly to the roller frame and can quickly and easily be hitched thanks to the readily accessible hydraulic and electronic interface.

# Kverneland Accord DF-1

## Versatile and yet Compact



The modular structure of the Kverneland Accord DF-1 ensures even weight distribution across the machine arrangement, giving the tractor maximum balance. This improves both safety and manoeuvrability, whilst at the same time giving the driver an unrestricted view over the entire machine set-up.

The Kverneland Accord DF-1 is more flexible than conventional seed drills. It can be used for both conventional and precision sowing. For precision sowing the front hopper is fitted with special metering devices and the appropriate distribution head for row fertilising.

The standard hopper capacity for seed/fertiliser is 1150 litres. This can be increased to 1700 litres with an optional hopper ex-

ension. The hopper can be filled using Big Bags, a front loader or an auger. An easily accessible, foldable platform at the hopper is available as an option to allow manual filling if required. Alternatively, the hopper can also be combined with a wheel packer for reduced front axle loading in work.

The Kverneland Accord DF-1 is fitted with a metering device located under the hopper and are easily accessible from the front. A large emptying chute directly above the metering device allows quick removal of leftover seed. A hydraulic fan drive can be supplied for tractors without a front p.t.o. shaft. The minimum power requirement for the Kverneland Accord DF-1 is 80 kW.



Unrestricted view from the tractor cab



Direct connection of toolbar to the roller frame and (optional) coulter bar lifting kit



The DF-1 hopper used for fertiliser during precision sowing of up to 8 rows



The coulter bar is attached to the harrow via the special Kverneland coulter toolbar linkage. This allows the coulter bar to maintain a constant seeding depth. The rapid coupling system allows the power harrow to be converted easily for solo use.

# Kverneland Accord DF-2

## Maximum Flexibility and Balance

As with the Kverneland Accord DF-1, the modular mounted construction of the Kverneland Accord DF-2 gives the tractor maximum balance.

The big sister of the Kverneland Accord DF-1 has front twin hoppers feeding two metering devices. These are driven via the spiked landwheel, which runs on the right side of the machine. Hydraulic fan drives and landwheel lifting are available as options.

The hopper of the Kverneland Accord DF-2 holds up to 1650 litres of seed or fertiliser. This can be increased with an extension up to 2200 litres. Used in combination with a precision seed drill, the hopper can feed up to 16 rows with fertiliser. The minimum power requirement for the Kverneland Accord DF-2 is around 130 kW, and with the electronic metering device ESA, the Kverneland Accord DF-2 is also GPS-compatible.

The handy positioning of all valves and electrics is clear and convenient, facilitating easy adjustment and maintenance.



Coulter-bar rapid coupling system  
(fits all Kverneland rollers)



The electronic and hydraulic interface is easily accessible.



The hydraulically folding track marker with shear-bolt overload protection is mounted directly on the trough of the power harrow.



Can be folded to a width of 3.0 m for safe road transport.





In combination with a precision seed drill, the DF-2 front hopper can be used for row fertilising (up to 16 rows).



Optimum positioning of the seed delivery hose ensures good seed diffusion.

# Coulter with double entry: Fertiliser and seeding in one pass



i-drill PRO in combination with DF-1 fronthopper. The DF-1 is for the fertiliser and the hopper of the i-drill PRO for the seeds.



CX-II coulter with double entry for fertiliser application (red tube) and seeding (black tube) in one pass.



# Plastic Parts – Manufactured by Kverneland



All plastic parts of the Kverneland Accord machines are manufactured in Kverneland's own plastic production plant at Oestinghausen in Germany, using the highest quality materials. Thus the quality of manufacturing tolerances for press wheels, fans, gear wheels and metering devices is guaranteed.



Long-time experience of the specialist in plastic processing is the basis for stability, resistance and long durability. The housing of rotating elements, such as the fan housing for example, are made from antistatic plastics in order to ensure highest operational safety.

Due to the direct pre-assembly of components in the plastic plant, the production process is optimised for shortened delivery times.



Suffolk coulters with double entry for fertiliser application and seeding in one pass.

# Kverneland Power Harrows

## Powerful Partners

Robust technology, reliability, and a high re-sale value with working widths of 2.50 to 6.00 metres

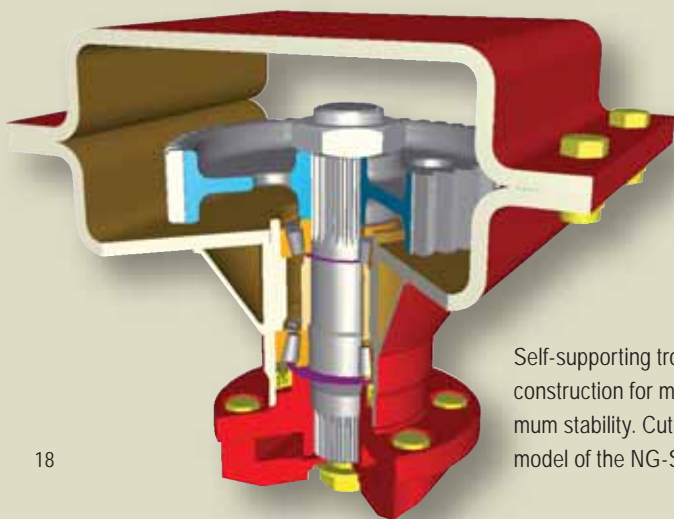
With the three NG-M, NG-H and NG-S models for tractors with up to 140, 180 and 250 hp, and the foldable F35 version for up to 350 hp, Kverneland is able to offer the modern farmer the solution he needs for his farm business.

The heavy-duty, self-supporting trough and hardened gears throughout guarantee optimum performance even in the toughest conditions. The large space between the tine holder and trough bottom allows large amounts of residue and stones to pass freely without clogging.

The special construction has been designed to minimise the need for maintenance. All models can be fitted with quick-fit tines. This makes maintenance easy saving time and ensuring maximum efficiency.

Helical (spiralled) tine positioning reduces peak loads on the driveline, resulting in smoother running. The tines are arranged at different angles in order to ensure even levelling and help prevent damage by stones. Savings are also made in terms of fuel consumption.

Optimum penetration even in hard soil is ensured by the downward pulling of the tines. The special Kverneland "Pro-Fit" active tines pull the entire combination into the ground, thus ensuring a constant working depth. The tine lifts the soil and mixes it with the material on the surface, providing top conditions for mulch sowing. An optional carbide-coating on the tines ensures a long life and minimum wear.



Self-supporting trough construction for maximum stability. Cutaway model of the NG-S



Kverneland NG-M 101



Kverneland NG-H 101



Kverneland NG-S 101



Kverneland NG-M 101 F20



Kverneland NG-H 101 F30



Kverneland NG-S 101 F35

Kverneland quick-hitch triangle as a universal interface between power harrow and seed drill



Four conical bearings with eight tines per metre in helical arrangement ensure optimum preparation of the seed bed



1. It is possible to fit various trailed implements: A cage roller, a tooth packer, a cracker packer, a flexline roller or an actipack roller.



2. The depth adjustment bracket is close to the headstock in order to minimise stress on the entire construction.



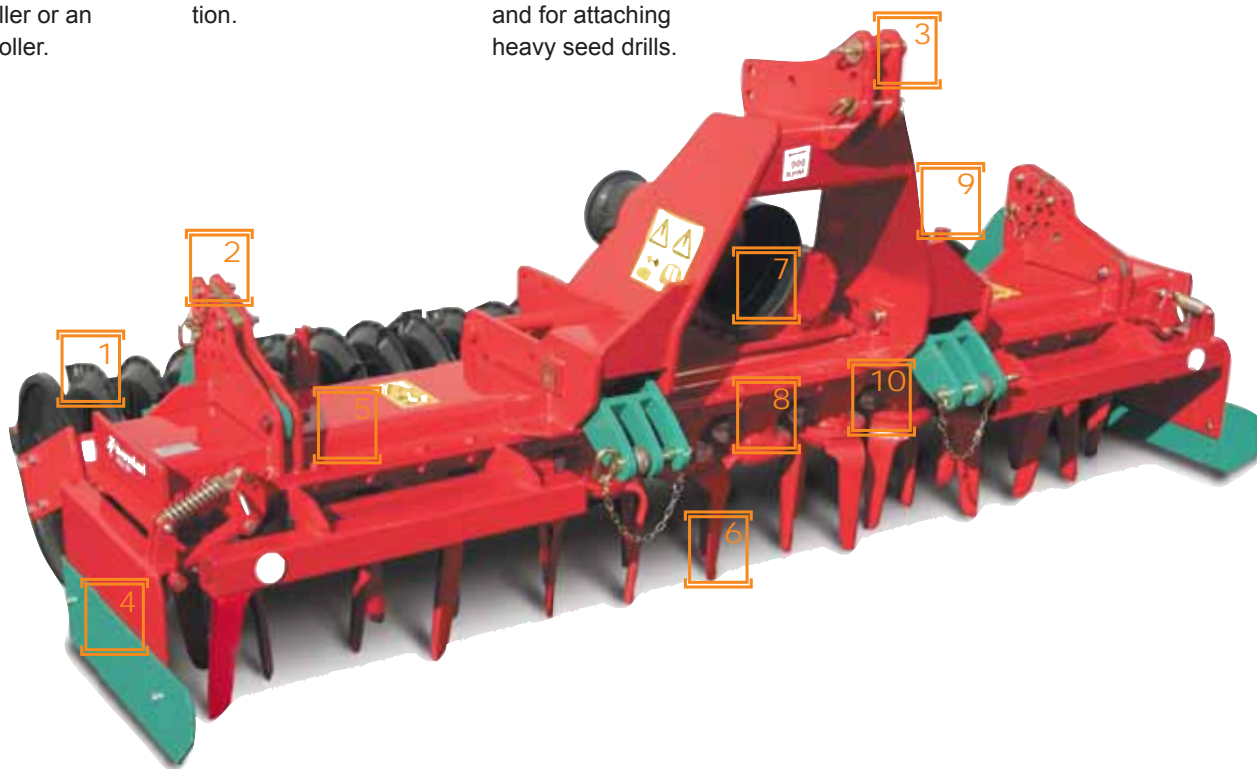
3. The heavy-duty, reliable three-point headstock is designed to be linked up to various tractors and for attaching heavy seed drills.



4. Parallelogram-led side deflectors with overload protection ensure even levelling and a ridge-free soil surface.



5. The robust, self-supporting trough design is the backbone of the entire machine.



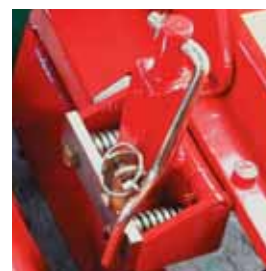
6. The quick-fit tines are locked in position with a pin and clip. All tines can be replaced very quickly and without the need for tools.



7. Robust transmission with replaceable gears is standard. Additional gears are available.



8. Fully welded rotor housings ensure the trough is resistant to bending and torque. The large space between the trough bottom and the tine holders allows residues and stones to pass freely without clogging.



9. The spring-loaded, infinitely adjustable levelling bar produces an even surface and enables intensive crumbing.



10. The tine holder shaft is fitted in two heavy-duty conical bearings.

# IsoMatch Tellus

The next generation universal **ISOBUS** Terminal – IsoMatch Tellus

- Two ISOBUS interfaces in one terminal
- Multifunctional ergonomic design
- ISOBUS Shortcut Button (ICB)



The IsoMatch Tellus is the first ISOBUS terminal in the world with the capability to operate 2 different (machine) screens through 1 terminal, without the need to constantly toggle between screens.



**Robustly designed aluminium body and ergonomic rubber grip**

**Firm grip accurate control**

Grip bar in combination with easily accessible digital touch screen soft keys.



FGS Electronic Tramline Control Box

The FGS tramline control system allows the operator to select from a variety of preprogrammed tramline rhythms. In operation the bout number and tramline valve activation are displayed by a series of LEDs located at the top of the control box. The system has an override function which allows the operator to correct his position within the rhythm. The FGS unit also features hopper low level and under voltage warning (optional).



SIGNUS Electronic seed control

The Signus combines comprehensive information, simple data input, a multitude of functions, and precise control. For precise machine guidance during subsequent spraying or fertilising operations, tramlines are set up using the electronic seed control system Signus. Signus also offers many other functions (the set-up of special rhythms, changes in the seed rate, monitoring of the fan speed, etc.), which can easily be set according to requirements and called up during the operation.



### ISOBUS Shortcut Button (ICB)

The ISOBUS Shortcut Button (ICB) is a new feature conforming to the very latest ISO 11783 standardisation. When the operator detects an unsafe situation and presses the ISOBUS Shortcut Button (ICB), a safety message will be sent to the connected ISOBUS implement.



### IsoMatch

IsoMatch Tellus is the first product of the new product family: IsoMatch. IsoMatch is a guarantee for high quality of products produced and developed by Kverneland Group Mechatronics.



As an innovative supplier of electronic control systems, the Kverneland Group has played a leading role in providing solutions in the field of electronic control systems on the basis of the ISOBUS protocol (a standard system for communication between on-board electronic control systems).

The iM Farming communications concept describes and presents our range of ISOBUS devices and solutions for electronic control systems.

With the iM Farming concept, we aim to give you an idea of the advantages and efficiency you can gain from our comprehensive product range.

Further information on iM Farming is to be found here:

[www.imfarming.kvernelandgroup.com](http://www.imfarming.kvernelandgroup.com)

NEW!



### IsoMatch Tellus GO

Kverneland Group is extending its range of Universal ISOBUS Terminals with the IsoMatch Tellus GO. This new multifunctional on-screen terminal is developed for fast and simple control of any ISOBUS implement, giving the farmer a 'custom made' experience as it suits all needs for plain and efficient handling of farming machinery and tasks. IsoMatch Tellus GO is the farmers first step into Precision Farming. With the easy to use application, IsoMatch GEOcontrol, it is possible to boost efficiency and save time and costs. The application includes Manual Guidance, Section Control and Variable Rate. Precision Framing is just one click away.



### Flow-Check Seed-flow monitoring

For pneumatic seed-drills the Kverneland Group offers an additional seed-flow check. This is an independent machine control system which monitors the seed distribution tubes automatically, immediately recognising and reporting any blockages or errors.

The display indicates the affected seed delivery tube, making it possible to localise and remove the problem quickly. The system is suitable for all common seed types (including oil seed rape) and can be fitted retrospectively on all pneumatic seed drills.

# Optional Equipment



## Pre-emergence marker

- Systematic tramlines saving seeds
- Automatically operated in combination with hydr. folding track markers



## Half-width shut-off

- Distribution head can be easily shut-off for half-width sowing
- Simple change to micro metering
- No opening of the distribution head
- Retro-fitting is possible



## ESA

- Electric drive and machine control on ISOBUS standard
- On the move seed rate adjustment



## Hydraulic fan drive

- Additional hydr. fan drive allows variable engine speed of the tractor



## Hopper extension

- Hopper extensions from 450 up to 600 l. Capacity depending on the model.
- Reduction of refill beaks and increase of performance



## Standard and combination tramlining shut-off valves

- Standard shut-off valves with "edge row effect"
- Combination shut-off valves return the seeds to the hopper

# Seed rate calculation tool

Kverneland Accord offers a calculation tool for the seed rate adjustment of the pneumatic seed drills.

Calculate the seed rate by entering the respective data of the cereal or enter directly the required seed rate: kg/ha.

- Direct access to the calculation tool on the internet:  
<http://www.kvernelandgroup.com>
- Or direct access by your mobile or PDA:  
<http://seed.kverneland.mobi>



# Technical Specifications

Machine type	DA	s-drill	s-drill PRO	i-drill PRO	DF-1	DF-2
Hopper content (l)	750	1050	1050	1200	1150	1650
Hopper extension	-	-	○(450)	○(600)	○(550)	○(550)
Folding hopper cover	●	●	●	●	●	●
Drive 1000 rpm	●	●	●	●	●	●
Drive 540 rpm	○	-	-	-	-	-
Hydr. fan drive	○	○	○	○	○	○
Hydr. track marker changeover (single acting)	○	-	-	-	-	-
Hydr. folding track marker	○	○	○	○	○	○
No. of metering devices	1	1	1	1	1	2
Micro metering	●	●	●	●	●	●
Seed rate 2–380 kg/ha	●	●	●	●	●	●
Mechanical hectaremeter	○	○	○	○	○	○
Half-width shut-off	○	○	○	○	-	○(hopper only)
Tramlining system FGS	○	○	○	○	-	-
Tramlining system Signus	○	○	○	○	○	○
Electric drive with IsoMatch Tellus /Tellus GO	○	○	○	○	○	○
Pre-emergence marker	○	○	○	○	○	○
CX-disc coulters	○	○	○	○	○	○
CX-II incl. press wheels	-	○	○	○	○	○
CX-II double entry in Combination with DF	-	-	-	● (3+4m)	● (w. i-drill)	●(DF-C: 3+4m)
Press wheel for CX-disc coulters	○	○	○	○	○	○
Central coulters pressure adjustment by spindle	●	●	●	●	●	●
Hydraulic coulters pressure adjustment	○	○	○	○	○	○
S-tine harrow (8mm/10mm)	○	○	○	○	○	○
Loading step / Platform	○	○	○	●	○(hopper only)	○(hopper only)
Folding platform	○	○	○	-	-	-
Coulters bar lifting device	○	○	○	○	○	○
Solo operation kit	○	-	-	-	-	-
CBS system	○	-	●	●	●	●
Lighting Equipment	○	○	○	●	○	○
Weight (kg)	<b>460 - 620</b>	<b>618 - 732</b>	<b>590-695</b>	<b>740 - 870</b>	<b>570 - 800</b>	<b>750 - 1440</b>
Working width (m)	2,5 3,0	3,0 3,5 4,0	3,0 3,5 4,0	3,0 3,5 4,0	3,0 3,5 4,0 4,5	5,0 6,0
No. of coulters	20 20	20 24 29	20 24 29	20 24 29	24 24 29 36	40 48
	24 24	24 28 32	24 28 32	24 28 32	29 29 32	
	29	29	29	29		



## Kverneland Group

Kverneland Group is a leading international company developing, producing and distributing agricultural machinery and services.

Strong focus on innovation allows us to provide a unique and broad product range with high quality. Kverneland Group offers an extensive package aimed at the professional farming community, covering the areas of soil preparation, seeding, forage and bale equipment, spreading, spraying and electronic solutions for agricultural tractors and machinery.



## Original Spare Parts


Kverneland Group spare parts are designed to give reliable, safe and optimal machinery performance - whilst ensuring a low cost life-cycle. High quality standards are achieved by using innovative production methods and patented processes in all our production sites.

Kverneland Group has a very professional network of partners to support you with service, technical knowledge and genuine parts. To assist our partners, we provide high quality spare parts and an efficient spare parts distribution worldwide.



 Watch us on YouTube  
[www.youtube.com/kvernelandgrp](http://www.youtube.com/kvernelandgrp)

 Like us on facebook  
[www.facebook.com/KvernelandGroup](http://www.facebook.com/KvernelandGroup)  
[www.facebook.com/iMFarming](http://www.facebook.com/iMFarming)

 Follow us on Twitter  
[#KvernelandGroup](https://twitter.com/KvernelandGroup)  
[#iM\\_Farming](https://twitter.com/iM_Farming)

Kverneland Group UK Ltd.  
Walkers Lane, Lea Green, St. Helens  
Merseyside, WA9 4AF  
Phone + 44 1744 8532 00

[uk.kverneland.com](http://uk.kverneland.com)