

INSTRUCTION MANUAL



SM/S-2

ROTARY DITCHER

CONGRATULATIONS

Dear Owner,

Thank you for buying a SOVEMA manufactured product.

Your new machine is carefully designed and manufactured to give you superior performance and dependable service, if properly operated and maintained.

You will find this machine to be rugged and reliable when matched to the suggested horsepower operating range.

Much time has been invested in providing safety and protection. Please carefully read this manual. It tells you how to safely and easily assemble, operate and maintain your machine.

Be sure that you and any other operator carefully follow the recommended safety practices at all times. Failure to do so could result in personal injury or property damage.

Of course, if you should ever have any problems or questions, please contact your local SOVEMA dealer or contact us at the addresses or numbers indicated in this manual.

SOVEMA manufactures a variety of innovative equipment. If you are interested in reviewing our full line, please contact us.

Thanks for your choice.

Ginettino Mayer
President

TABLE OF CONTENTS

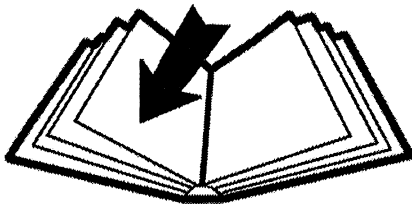
- SYMBOLS	Page 3
- GENERAL INFORMATION	Page 4
- SAFETY AND WARNING DECALS	Page 5
- SAFETY INSTRUCTIONS	Page 7
- MAIN CHECK	Page 10
- TECHNICAL SPECIFICATIONS	Page 11
- ATTACHING THE MACHINE TO THE TRACTOR	Page 12
- DEPTH CONTROL	Page 17
- BEGINNING WORK	Page 18
- TROUBLE SHOOTING	Page 20
- DISCONNECTING THE MACHINE FROM THE TRACTOR	Page 21
- STORING OF THE MACHINE	Page 22
- MAINTENANCE	Page 23
- TOXICOLOGICAL INFORMATION	Page 25
- PARTS LIST	Page 27
- WARRANTY POLICY	Page 34
- SOVEMA PRODUCT LINE	Page 38

SYMBOLS

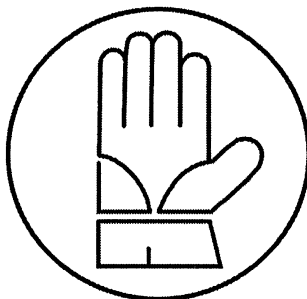
These symbols appear throughout the manual.
Remember their meaning and advice.



**MEANS: CAUTION!
YOUR SAFETY IS INVOLVED**



MEANS: READ CAREFULLY



MEANS: USE PROTECTIVE GLOVES

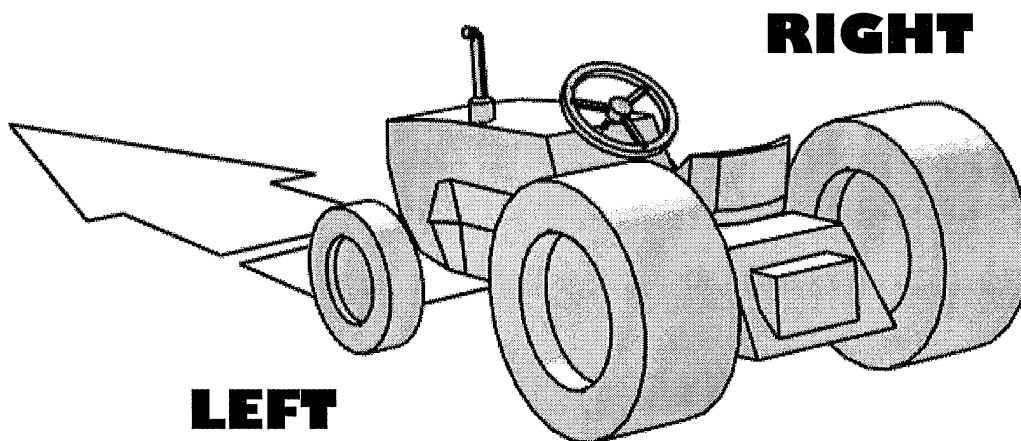
GENERAL INFORMATION



All implements with moving parts are potentially hazardous. The manufacturer has designed the implement to be used with all the safety equipment properly attached. The purpose of this manual is to assist you in safely maintaining and operating the implement.

These instructions have been compiled from our experience. Through this experience and these instructions, you should be able to develop operating procedures suitable to your particular situation.

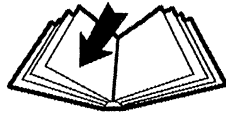
Illustrations and data used in this manual may vary slightly in some details. Throughout this manual references are made in left and right directions. These are determined by standing at the rear of the equipment and facing the direction of forward travel.



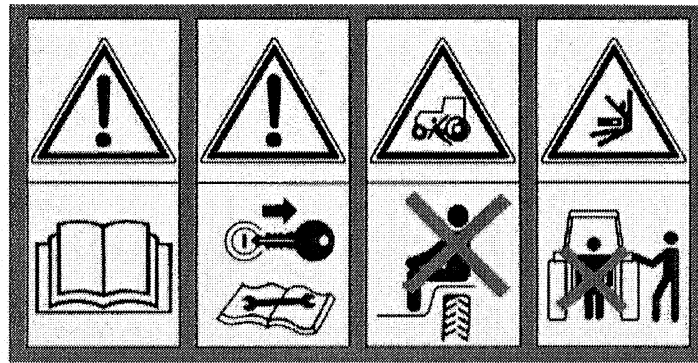
Even if some illustrations in this manual show the machine with safety shields removed for a better view, never operate in these conditions.

BEFORE OPERATING THE IMPLEMENT, ALL SAFETY SHIELDS OR DEVICES MUST BE MOUNTED





SAFETY AND WARNING DECALS

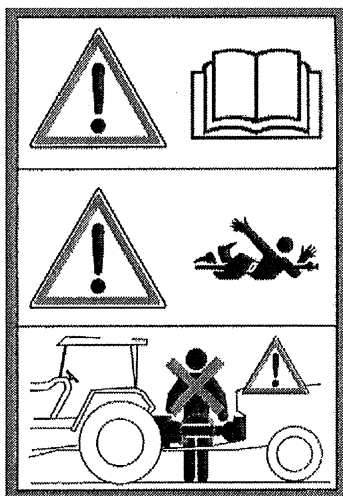





Safety decals on the implement contain important safety warning messages. To prevent injuries we invite the operator to read them carefully and keep them clear. Check that all the decals are on the machine. If not, **DO NOT USE** the machine and report to the Dealer immediately to get the decals. Decals on the machine are the following and mean:

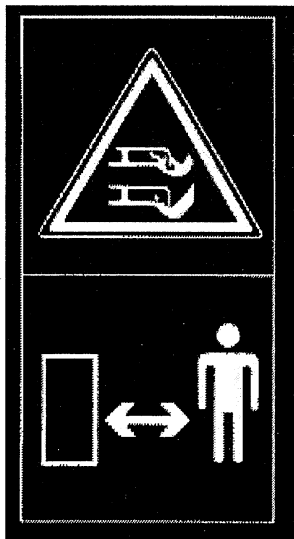


1 2 3 4

-  1. Before operating the equipment, read carefully the operator's manual.
-  2. Before maintenance operation, lower the implement, shut off the engine and read the operator's manual.
-  3. Do not allow riders on tractor or implement.
-  4. Do not stand behind the tractor during the operations.



-  5. Before operating the equipment, read carefully the operator's manual.
-  6. DANGER! Entanglement of driveline..
-  7. KEEP AWAY from driveline in operation: contact can cause death!



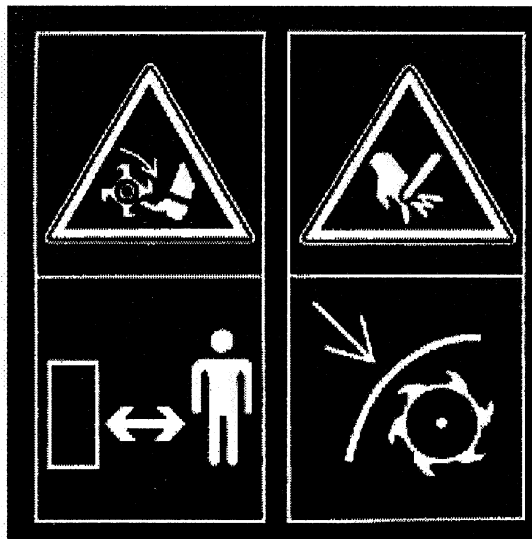
8



8. Danger. Your hands and feet can be injured by moving parts. Keep away from the implement.



9. Danger. Your feet can be injured. Keep away from the implement.



9

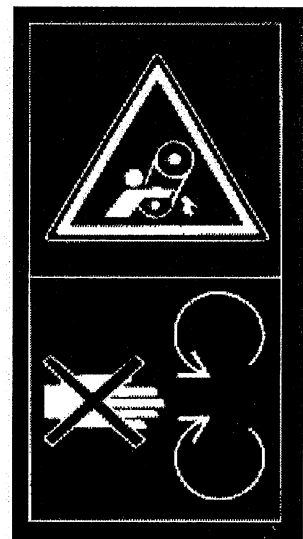
10



10. Danger. Your hands can be injured. Do not remove safety protection and keep away from moving parts.



11. Danger. Your hands can be injured. Do not remove the cover and keep away from moving parts.

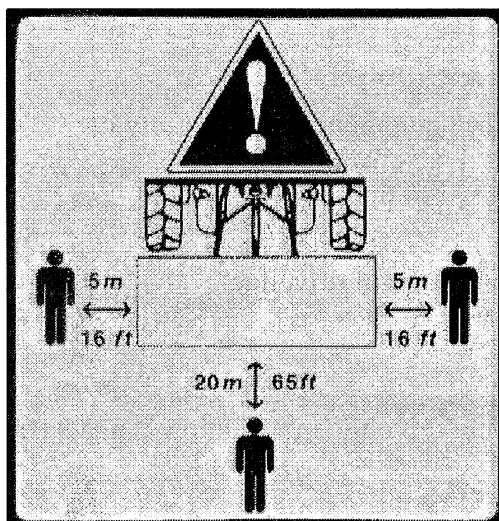


11

540 rpm



12. The machine is designed for use on tractors with 540 RPM PTO only.



13. Caution! During working operations all bystanders must stay beyond the shown distances from the implement.












SAFETY INSTRUCTIONS



Before using the implement you must be sure to know the main safety precautions; in fact many accidents are caused by not observing these rules.



Pre-operational and operational safety rules

-  Make sure that no person operates this machine unless they first, thoroughly read and studied the operator instructions for this machine and understood all the safety precautions.
-  Keep all guards, shields and safety decals in place and proper working order before operating this machine.
-  Operate only with a tractor equipped with an approved Roll Over Protective System (ROPS) and always wear your seat-belt.
-  Operate only in daylight or good artificial light.
-  Only trained personnel can operate with the tractor and the implement.
-  **Personal protection equipment**, including safety shoes, safety glasses, hard hat and gloves are recommended during the different operations. Do not allow long hair, loose fitting clothing or jewellery to be around moving parts.
-  Do not leave the tractor seat until the engine is completely **turned off, brakes locked and ignition key removed.**
-  Do not allow riders on the machine or tractor at any time. No safe place for any rider.
-  Before starting to operate, be sure that the tractor's PTO is set to match the PTO requirements of the implement. The speed is indicated in this manual and on the implement.
-  Do not use different driveline . Always use type and size supplied by the manufacturer.
-  Make sure driveline spring-activated locking pin operate freely and are seated firmly in tractor PTO stub shaft groove.



For engaging or disengaging the tractor PTO, refer to your tractor manual.



Connect and disconnect PTO shaft only when tractor engine is turned off.



Keep hands, feet, hair and clothing away from moving parts.



To prevent injury by thrown objects DO NOT operate unless all personnel, livestock and pets are 20 m (65 ft) away.



The rotating parts of the machine have been designed and tested for rugged use. However they could fail upon impact with heavy solid objects. Such impact could cause the broken objects to be thrown outward at very high speed. To reduce the possibility of serious injury, or even death, never allow the rotating parts to contact such obstacles.



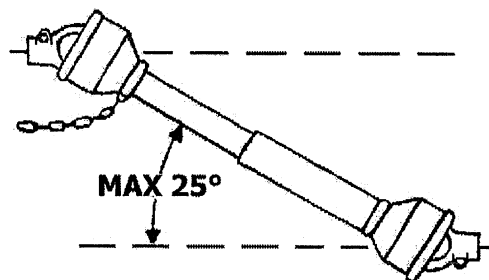
Stop the machine and tractor immediately upon striking an obstruction. Turn engine off, remove key, inspect and repair any damage before resuming operation.



No repairs or adjustments should be attempted while the machine is attached to a tractor that is turned on.



Working inclination of PTO driveline must not exceed 25° (see fig.1). Working angles greater will damage the PTO and serious personal injury could occur as well.



Disengage tractor PTO and place transmission in to neutral before attempting to start engine.

Transport safety



Plan your route to avoid heavy traffic.



For public roads, comply with state and local safety and movement rules.



Be sure that the implement is in the raised position for transport.



When you must drive, do not drink.



Pay attention to traffic when operating near or crossing roadways.



Reduce speed when transporting mounted implement to avoid bouncing and loss of steering control.



Pay attention when you turn curves or you go up and down on hills with the implement. Be sure that at least 25% of the tractor's weight is on the front wheels to maintain safe steering. Drive at a low speed.



NEVER allow riders on implement or tractor. Falling off can kill.



Be a safe and courteous driver.

Maintenance safety



Good maintenance is your responsibility. Poor maintenance is an invitation to trouble.

For maintenance follow these common practises:



- keep service area clean;
- use adequate illumination for the job;
- be sure tools and electrical outlets are properly grounded;
- make sure there is plenty of ventilation.



Before making maintenance on this machine, drive to a level area, disengage the PTO, lower the machine, turn off the engine, set the brakes and remove the ignition key.



Keep all persons away from operator control area while performing maintenance.



ALWAYS use personal protection devices.



Periodically tighten all bolts, nuts and screws.



The implement manufacturers assume no liability if replacement parts other than the original factory parts are used.



After servicing, be sure that all safety shields are re-installed properly.



Be sure that all safety decals are installed, clean and in good condition.



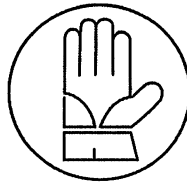
If the machine is modified from the original design, no responsibility for the manufacturer can be claimed.

MAIN CHECK LIST



Before connecting the machine to the tractor, read the following instructions:

- Be sure the weight and power of the tractor is correct with the machine you want to connect. If you have any doubt, see the technical specifications.



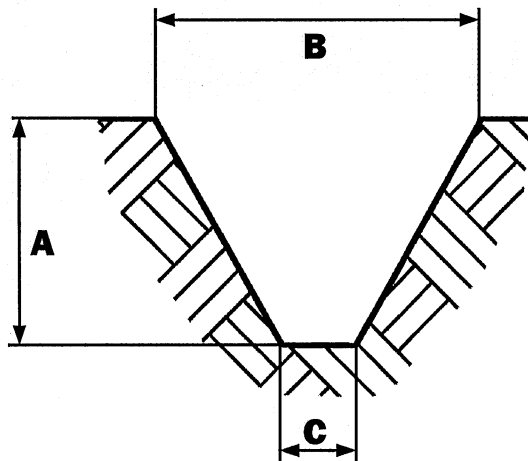
- Ensure that all safety decals are properly installed and clean.
- Check oil in the gearbox. With low oil, gears get damaged.

TECHNICAL SPECIFICATIONS



The machines described in this manual are the **SM 2 e SM-S 2 series**.

MOD.	Pto	Rotor	HP	Weight		A		B		C	
	(rpm)	(rpm)		Kg.	Lbs	cm	inches	cm	inches	cm	inches
SM-2 45	540	329	40 - 50	281	618	45	18"	72	29"	18	7"
SM-2 55	540	329	45 - 65	298	655	55	22"	90	36"	24	10"
SM-2 45 S	540	329	40 - 50	315	693	45	357	72	29"	18	7"
SM-2 55 S	540	329	45 - 65	332	730	55	379	90	36"	24	10"



LEVEL OF NOISE RESULT WHEN IDLING



Lpa (A) 84 dB MAX

ATTACHING THE MACHINE TO THE TRACTOR



The machines described in this manual do apply to any kind of tractor provided of universal third hitch point.

The characteristics (length, diameter of the holes for the lifting pins) of the tractor's lifting arms depend on the type of tractor utilized, therefore it is necessary to prepare the machine in order to conclude the attachment correctly.

Before attaching the machine to the tractor you must be sure that the engine is shut off, brakes are locked and the ignition key is removed.

This operation must be made on a flat area as it is very dangerous.



Do not allow anyone between tractor and the machine when the engine is running.

Follow these instructions:



For the SM2 version attach the two lifting arms to the lower plates of the machine using a hitch pin and the hair clip pin. For the SMS2 version hook the two lifting arms to the lower attachment using the hitch pin and the hair clip pin already present in the attachment itself (see fig .1).

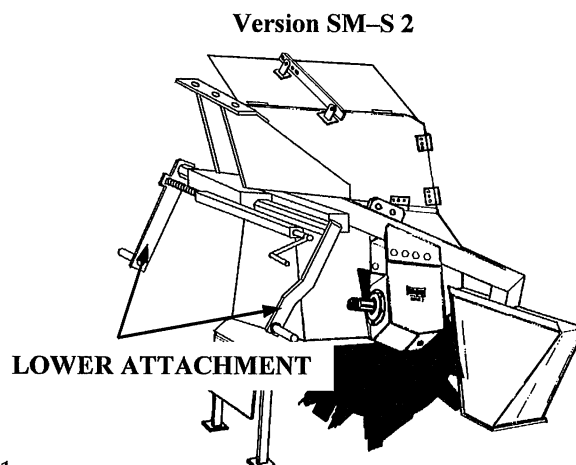
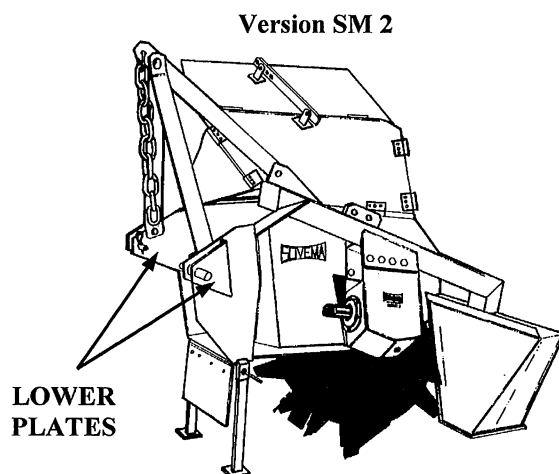
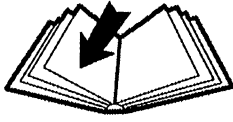
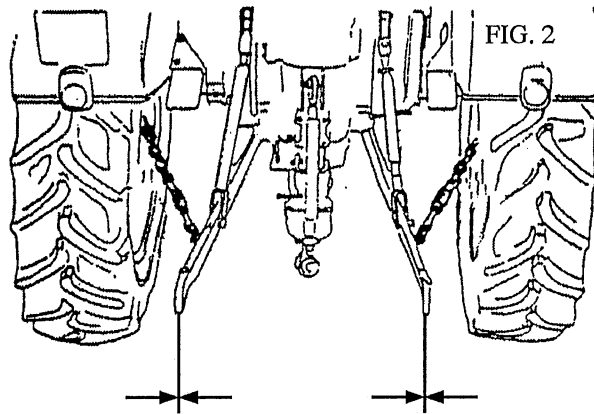


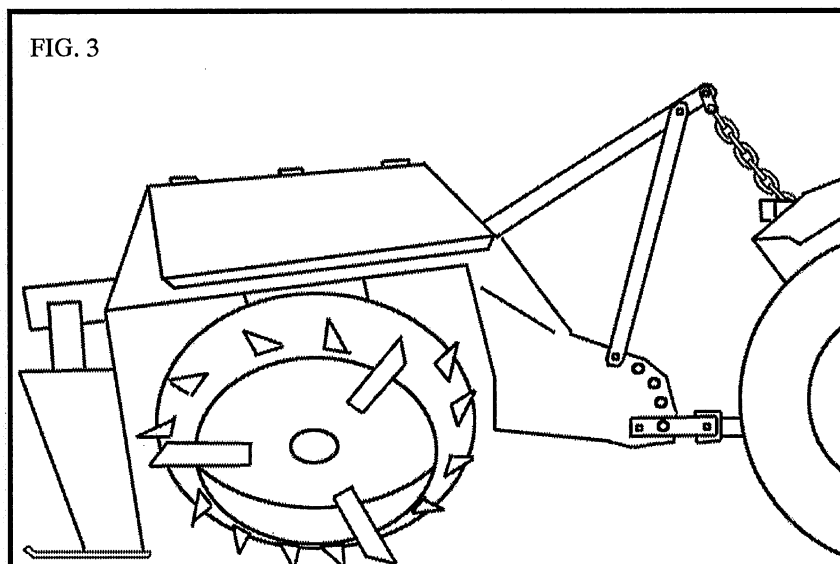
FIG. 1



To allow the machine lateral shifting during work and avoid damage to its frame, do not block laterally the two lifting arms of the tractor (see fig. 2). These movements are due to the fact that the machine works underground and therefore impact with solid objects is highly probable.

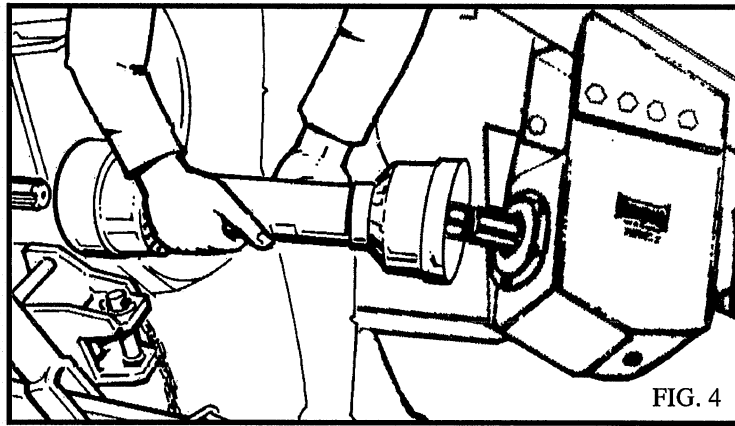


Attach the chain of the machine to the upper plate of the tractor (plate in which the hitch point is normally attached) and be sure it is not tight (see fig. 3). This last condition guarantees the vertical shifting of the machine preserving it from eventual frame damage.





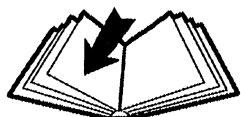
Connect the PTO shaft and be sure it is correctly connected to the tractor and machine.
(see fig.4).



Raise the machine from the ground and thread its support foot.

Shortening the PTO shaft

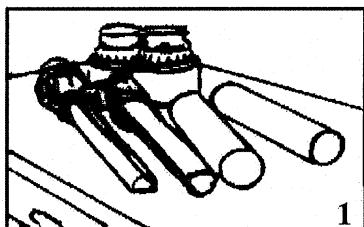
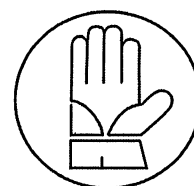
Due to the many different types of tractors, it may be necessary to shorten the PTO shaft.



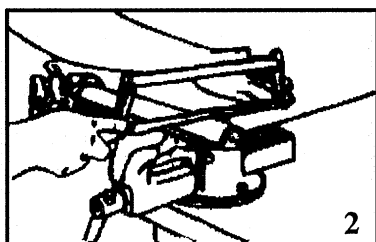
Always refer to the manual of the driveline's manufactures. Read it carefully.



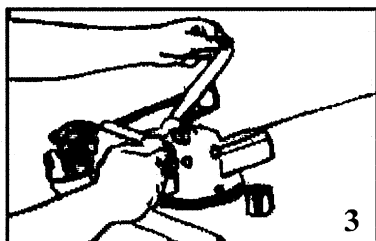
In case shortening is needed, listed below are some basic guidelines on performing this modification. Determine how much length is to be removed, then:



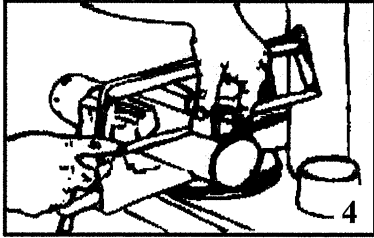
1) Remove plastic protection (both sections)




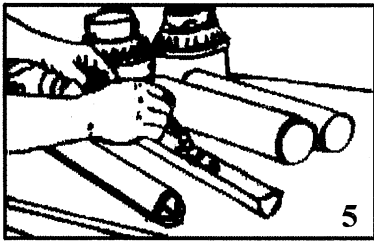
2) Cut the excess length of both tubes




3) Deburr and clean the saw-dust off ends of tubes. Remove packing inside shaft tubing



-  4) Cut the plastic protection to the same length you have cut the joints

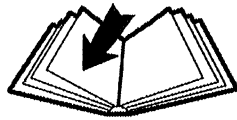


-  5) Grease the male joint section and reassemble protection



Do not use PTO shafts without proper shielding installed.

DEPTH CONTROL



WORKING DEPTH ADJUSTMENT

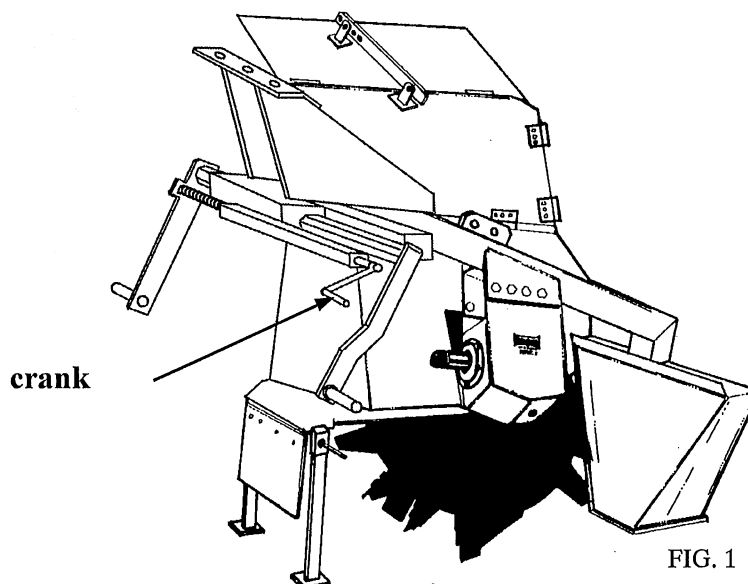
To adjust the working depth of the machine, opportunely use the hydraulic lifter of the tractor.

LATERAL SHIFTING ADJUSTMENT

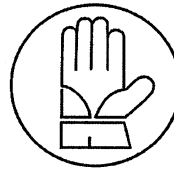


The SM-S 2 version allows lateral shifting of the machine.

To carry out the lateral shifting, rotate the crank located on the left side of the machine (see fig. 1).



BEGINNING WORK



CREATION OF A DITCH

After completing all safety controls, to avoid damage start as follows:

- Raise the machine off the ground in order to let the blades start moving without touching ground.
- Maintaining the machine raised, engage the tractor PTO at suggested engine RPM.
- Gradually sink the machine in the ground using the hydraulic lifter of the tractor.
- Start moving the tractor very slowly, using the lowest speed.
- Maintaining the low speed, go forward creating the first shape of the ditch, which depth must correspond to a third of the maximum depth desired (see fig. 1 case A and B).
- Subsequently carry out other passing (always proceeding very slowly) until obtaining the maximum desired depth (see fig. 1 cases A and B).

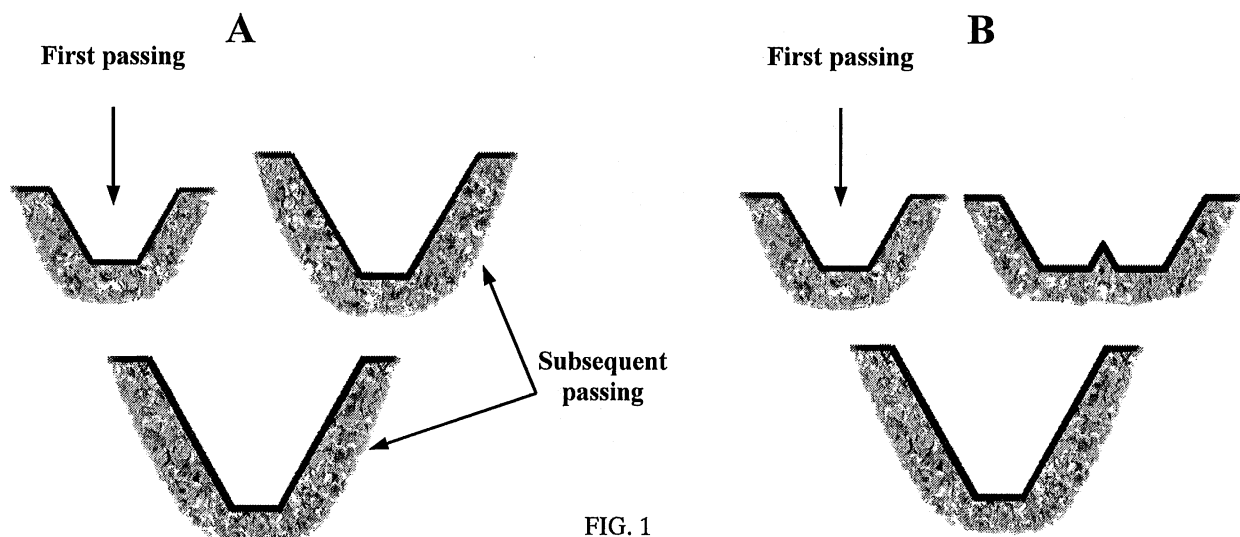
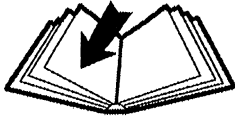


FIG. 1

TIPS TO GET DESIRED RESULTS

When beginning to create the ditch, remember that to avoid the blocking of the rotor with subsequent damage to the frame, PTO shaft and tractor, it is advisable not to excessively bury the machine in the ground.

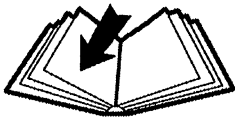


Tractor ground speed depends on the consistency of the terrain; the following ground speed is advised:

- 400 meters/hour in stony ground;
- 500-700 meters/hour in less stony ground.

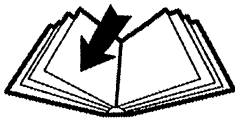
CLEANING OF A DITCH

Before cleaning an existent ditch, check for solid objects that could seriously damage the functioning of the machine.



The following ground speed of the tractor is advised:

- 700 meters/hour when cleaning ditches in stony ground;
- 1100 meters/hour when cleaning ditches in less stony ground.



During work, to avoid damage to the machine while buried under ground, avoid steering and absolutely never go backwards. To carry out turns or U-turns it is always necessary to raise the machine from the ground.

TROUBLE SHOOTING



During work several problems can happen:

Unusual noise

While working, if the **machine** made **unusual noise**, the operator must **stop it immediately** and follow next instructions:

- **Check for broken/bent parts.**
- **Check for correct oil level in the gearbox.**

When present incorrect oil level (see chapter on maintenance), the gears of the gearbox are not lubricated correctly, and if continue to rotate, would determine a significant **increase in oil temperature**. If continue working in this condition **will quickly take to damage gear bearings**.

- **Check the lubrication and condition of the bearings that support the rotor shaft hub.**

Inadequate lubrication (see chapter on maintenance) may cause damage on one of the two rotor shaft support bearings. The rotor shaft begins to oscillate causing excessive vibration to the frame and in short time, the damage of its weldings.

Another possible cause of bearing damage is the deformation of the rotor shaft hub as a result of high ground speed of the machine, otherwise by making turns or U-turns while the machine is working.

Problem with uniformity on result

While operating, if you notice that the shape of the ditch is not uniform, stop the machine and check that all blades are present and in good condition (see chapter relative to Maintenance).










Before checking the machine to find the possible cause of the problem, be sure the tractor's PTO is disconnected, tractor's engine turned off, brakes on, key ignition off the command board, and the machine completely lowered to the ground.

DISCONNECTING THE MACHINE FROM THE TRACTOR



Disconnection of the machine must be carried out on flat area, and it is considered a very dangerous operation. You must pay attention. Follow these instructions:



-  While remaining in the tractor seat, put the tractor PTO in neutral.
-  When rotors are completely stopped, turn off the engine and set the parking brakes.
-  Descend from the tractor, and put on the support foot in its place.
-  Get on the tractor and lower the machine until the foot and the rear bucket are leaned on ground floor.
-  Descend again from the tractor and disconnect the chain of the machine from the upper plate of the tractor.
-  After removing its blocking split pins, unthread the pins from the lower plates of the machine (for version SM 2) or from the lower attachment (for versions SM-S 2) and therefore proceed to disconnect the two lifting arms of the tractor.
-  Disconnect the hitch of the drawbar from the tractor.



Before disconnecting the driveline, be sure the tractor PTO is in neutral and engine is off.

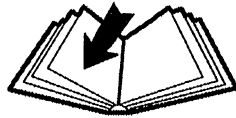
STORING OF THE MACHINE



As your machine is an investment and if remains unused for a long period, we suggest the following procedures:

- Wash and dry the machine.
- Check all moving and protection parts; for excessive wear replace the parts or contact your local dealer.
- Check bolts and nuts for proper tightness.
- Lubricate all the active parts like bearings, all grease zerk locations and other pivot or worn points that may not have a fitting.
- Lubricate all not-painted parts.
- Store the machine in a clean and dry place under roof.

MAINTENANCE



For long life of your machine and trouble free operation, regular program of maintenance is required.

The recommended phases of maintenance are for normal use and can be varied depending on the different conditions.



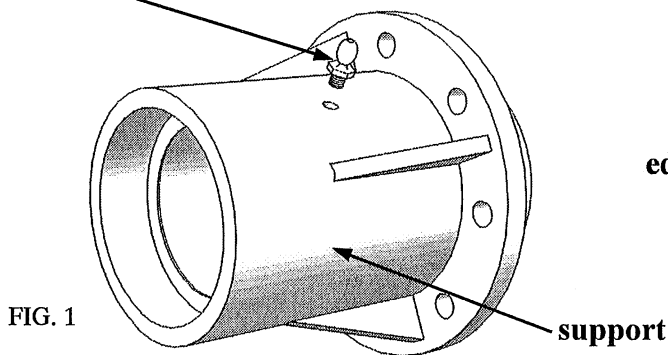
Always disengage tractor PTO before starting maintenance.



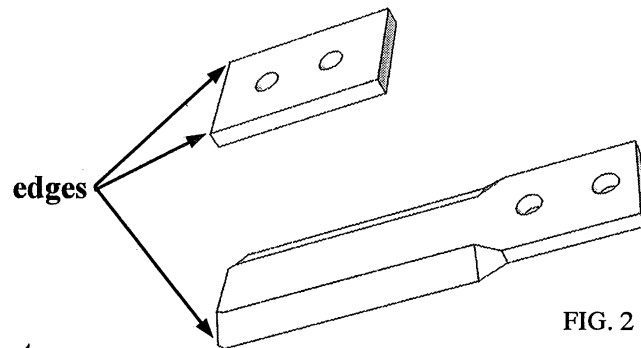
Every 10 working hours

- Check for loose bolts that fix the blades to the rotor. Check condition of the blades. (see fig. 1).
- Grease the PTO shaft components.
- Clean the end of PTO shaft with non toxic / non inflammable detergent.
- Be sure that driveline shields are in place and in good condition.
- Grease the bearings of the rotor shaft hub (see fig. 1), after cleaning correctly the grease nipples for better lubrication. Use lithium type grease NLGI 2 .
- Clean the machine.

Grease nipple

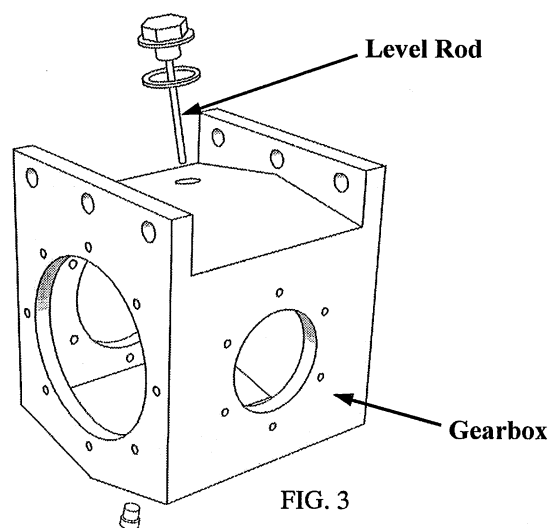


edges



Every 50 working hours

- Check for wear blades; control mainly the edges. Replace if necessary. Use only original parts.
- Make sure PTO shaft and slip clutch are in place and in good condition. If damaged or worn, replace slip discs. Contact your local dealer for substitution.
- Check oil level in the gearbox. If needed, add oil until you reach the correct level, which is shown in the level rod (see fig. 3).



First 100 working hours

In the case the machine has done its first 100 hours, completely change oil in the gearbox. To proceed, drain all the oil through the drain plug located on the bottom of the box. These changes are necessary because the gears are new and so are subject to quicker worn. Use oil: SAE 80 W 90 API GL 4.

Every 100 working hours

- Check condition of the chain links from the chain that works as hitch point.

Every 200 working hours

- Check condition and eventually replace the moving parts (shields) that expel the product. The replacement is necessary when these are particularly worn.

Every 300 working hours

- Completely replace oil in the gearbox, as explained before. Use oil: SAE 85 W 140 API GL 5.

TOXICOLOGICAL INFORMATION ABOUT LUBRICANTS



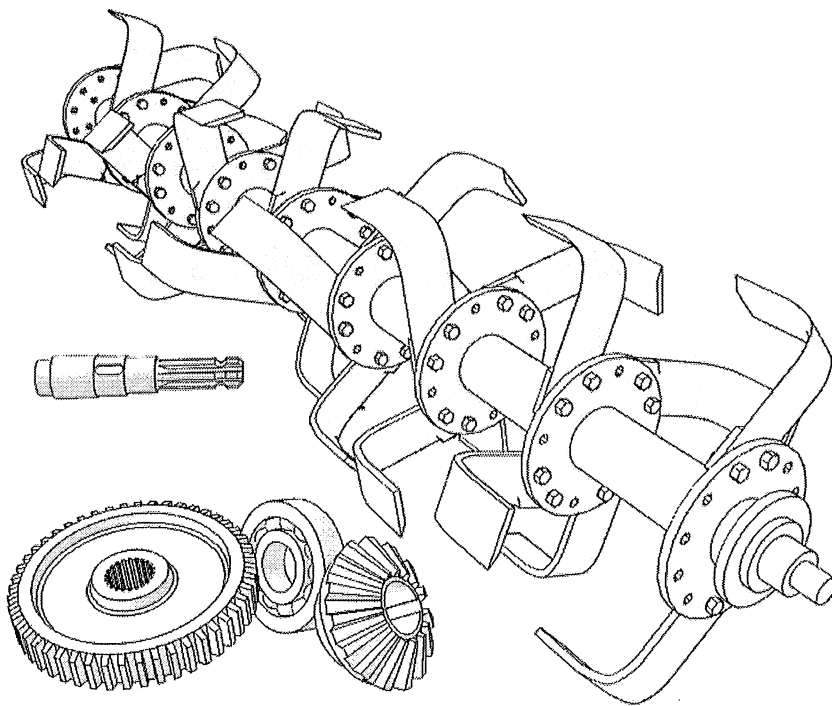
	TYPES OF DANGER	PROTECTIVE EQUIPMENT	PRIMARY INTERVENTION
SKIN	Possible irritation after prolonged contact	Gloves and/or lotion barrier	Wash with soap & water
EYES	Possible irritation on contact	Protective goggles	Rinse thoroughly w/ running water
INHALATION	Possible irritation after prolonged exposure	Maintain an oil mist level of 5mg/m ³ between TLV-TWA limits	Expose to fresh air and call medical assistance immediately
INGESTION	Such possibility not considered		DO NOT provoke vomiting; call medical assistance immediately



**USE EXCLUSIVELY
ORIGINAL SPARE PARTS
FROM**

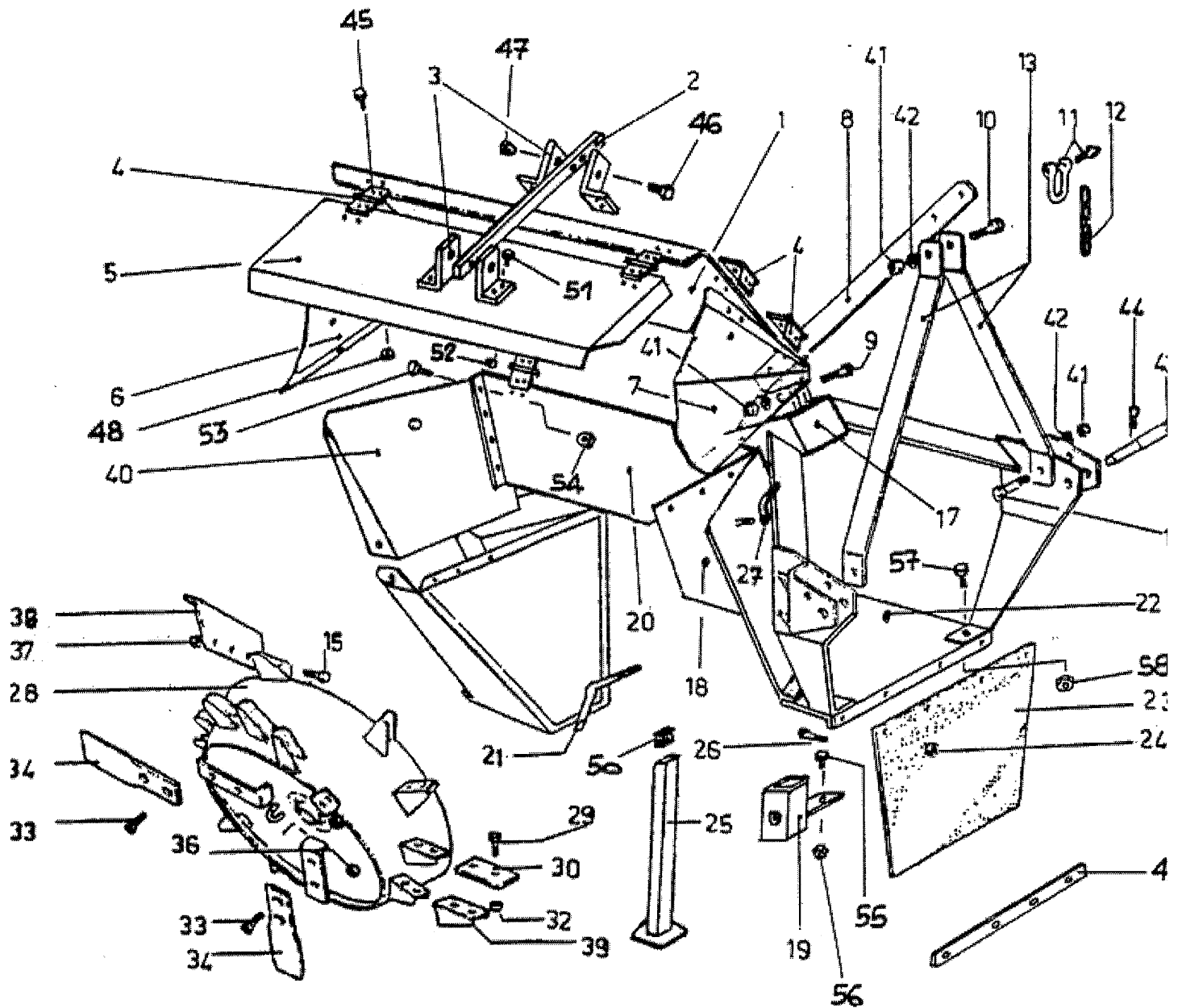
SPARE PARTS LIST

SM/S-2 Model



SM 2

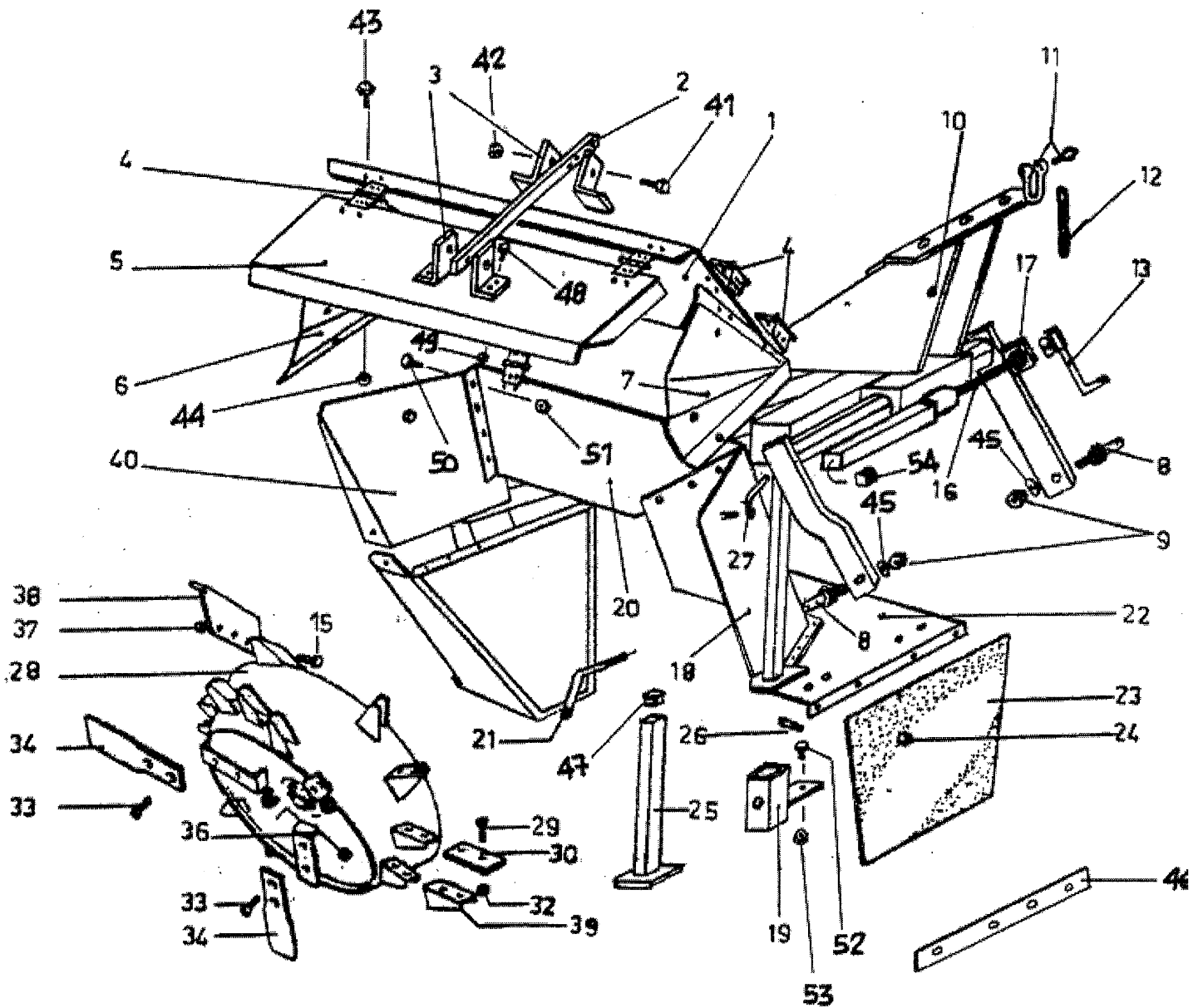
Frame



REF	CODE	QTY	ENGLISH	FRANÇAIS	ITALIANO	DEUTSCH	ESPAÑOL	NOTE
1	900.243.145	1	DIRECTION FLAP	AILETTE DE DIR.	VENTAGLIO	VERTEILERFLUEGEL	ALETA DE DIREC.	
2	900.243.148	1	ROD	TIGE	ASTA	STANGE	VARILLA	
3	900.243.147	4	SUPPORT	SUPPORT	SUPPORTO	STUETZE	SOPORTE	
4	900.243.150	8	BRACKET	CHARNIERE	CERNIERA	SCHARNIER	BISAGRA	
5	900.243.143	1	SHIELD	CAPOT	COFANO	HAUBE	CARCASA	
6	900.243.146	1	DIRECTION FLAP	AILETTE DE DIR.	VENTAGLIO	VERTEILERFLUEGEL	ALETA DE DIREC.	
7	900.243.144	1	DIRECTION FLAP	AILETTE DE DIR.	VENTAGLIO	VERTEILERFLUEGEL	ALETA DE DIREC.	
8	900.243.040	1	TIE ROD	TIRANT	TIRANTE	ZUGSTANGE	TIRANTE	
9	900.102.155	1	SCREW	VIS	VITE	SCHRAUBE	TORNILLO	
10	900.102.179	1	SCREW	VIS	VITE	SCHRAUBE	TORNILLO	
11	900.241.288	1	U-BOLT	MANILLE	CAVALLOTTO	U-BOLZEN	SOPORTE	
12	900.243.043	1	CHAIN	CHAINE	CATENA	KETTE	CADENA	
13	900.243.041	2	TIE ROD	TIRANT	TIRANTE	ZUGSTANGE	TIRANTE	
15	900.102.020	9	SCREW	VIS	VITE	SCHRAUBE	TORNILLO	
16	900.102.030	2	SCREW	VIS	VITE	SCHRAUBE	TORNILLO	
17	900.243.130	1	FRAME	CHASSIS	TELAIO	RAHMEN	BASTIDOR	45
17	900.243.131	1	FRAME	CHASSIS	TELAIO	RAHMEN	BASTIDOR	55
18	900.243.140	1	PLATE	TOLE	LAMIERA	BLECH	CHAPA	
19	900.243.134	2	SLIDEWAY	GLISSIERE	GUIDA	HINTERTEIL	GUIA	
20	900.243.141	1	PLATE	TOLE	LAMIERA	BLECH	CHAPA	
21	900.243.047	2	HANDLE	POIGNEE	MANIGLIA	HALTEGRIFF	MANETA	
22	900.243.139	1	PLATE	PLAQUE	PIASTRA	PLATTE	PLACA	
23	900.243.138	1	GUARD	PROTECTION	PROTEZIONE	SCHUTZ	PROTECCION	
24	900.103.020	4	NUT	ECROU	DADO	MUTTER	TUERCA	
25	900.243.151	2	STAND	SUPPORT	SOSTEGNO	STUETZE	SOPORTE	
26	900.102.189	4	SCREW	VIS	VITE	SCHRAUBE	TORNILLO	
27	900.243.053	2	HANDLE	POIGNEE	MANIGLIA	HALTEGRIFF	MANETA	
28	900.243.054	1	ROTOR	ROTOR	ROTORE	ROTOR	ROTOR	45
28	900.243.055	1	ROTOR	ROTOR	ROTORE	ROTOR	ROTOR	55
29	900.102.012	-	SCREW	VIS	VITE	SCHRAUBE	TORNILLO	
30	900.111.038	-	PLATE	PLAQUE	PIASTRA	PLATTE	PLACA	
32	900.103.018	-	NUT	ECROU	DADO	MUTTER	TUERCA	
33	900.102.048	6	SCREW	VIS	VITE	SCHRAUBE	TORNILLO	
34	900.111.037	3	KNIFE	COUTEAU	COLTELLO	MESSER	CUCHILLA	
36	900.103.019	6	NUT	ECROU	DADO	MUTTER	TUERCA	
37	900.103.019	9	NUT	ECROU	DADO	MUTTER	TUERCA	
38	900.111.033	3	KNIFE	COUTEAU	COLTELLO	MESSER	CUCHILLA	
39	900.243.056	-	SUPPORT	SUPPORT	SUPPORTO	STUETZE	SOPORTE	
40	900.243.142	1	PLATE	TOLE	LAMIERA	BLECH	CHAPA	
41	900.103.005	4	NUT	ECROU	DADO	MUTTER	TUERCA	
42	900.104.063	4	WASHER	RONDELLE	RONDELLA	ZWISCHENSCHIEBE	ARANDELA	
43	900.116.033	2	PIN	TOURILLON	PERNO	STIFT	PERNO	
44	900.108.006	2	SPLIT PIN	GOUPILLE	COPIGLIA	ARRETIERUNG	PASADOR	
45	900.102.291	48	SCREW	VIS	VITE	SCHRAUBE	TORNILLO	
46	900.102.076	2	SCREW	VIS	VITE	SCHRAUBE	TORNILLO	
47	900.103.020	2	NUT	ECROU	DADO	MUTTER	TUERCA	
48	900.103.117	48	NUT	ECROU	DADO	MUTTER	TUERCA	
49	900.243.071	1	ROD	TIGE	ASTA	STANGE	VARILLA	
50	900.109.011	2	PLUG	BOUCHON	TAPPO	DECKEL	TAPON	
51	900.102.007	8	SCREW	VIS	VITE	SCHRAUBE	TORNILLO	
52	900.103.020	8	NUT	ECROU	DADO	MUTTER	TUERCA	
53	900.102.007	-	SCREW	VIS	VITE	SCHRAUBE	TORNILLO	
54	900.103.001	-	NUT	ECROU	DADO	MUTTER	TUERCA	
55	900.102.019	2	SCREW	VIS	VITE	SCHRAUBE	TORNILLO	
56	900.103.050	2	NUT	ECROU	DADO	MUTTER	TUERCA	
57	900.102.027	2	SCREW	VIS	VITE	SCHRAUBE	TORNILLO	
58	900.103.005	2	NUT	ECROU	DADO	MUTTER	TUERCA	

SM-S 2

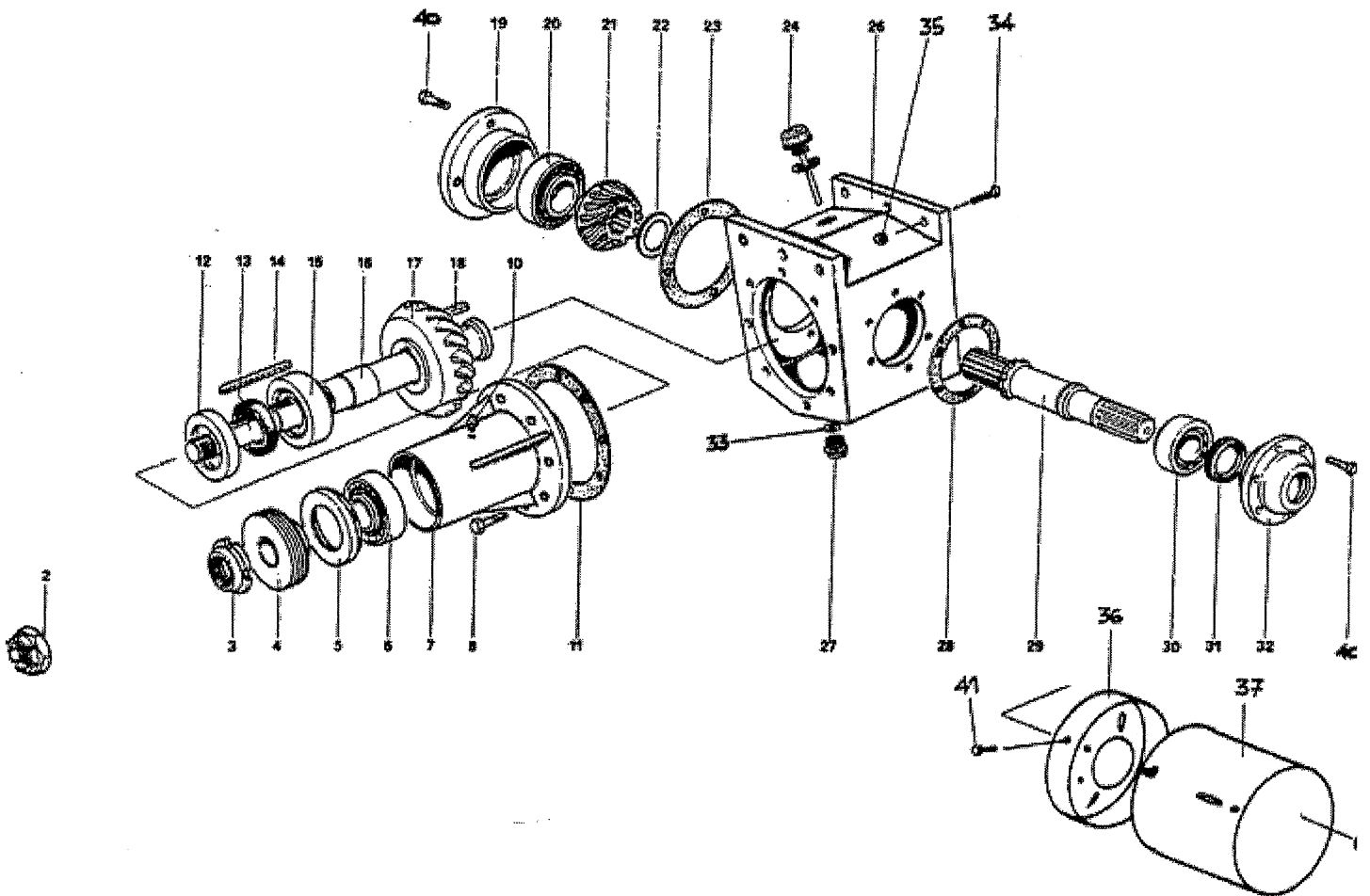
Frame



REF	CODE	QTY	ENGLISH	FRANÇAIS	ITALIANO	DEUTSCH	ESPAÑOL	NOTE
1	900.243.145	1	DIRECTION FLAP	AILETTE DE DIR.	VENTAGLIO	VERTEILERFLUEGEL	ALETA DE DIREC.	
2	900.243.148	1	ROD	TIGE	ASTA	STANGE	VARILLA	
3	900.243.147	4	SUPPORT	SUPPORT	SUPPORTO	STUETZE	SOPORTE	
4	900.243.150	8	BRACKET	CHARNIERE	CERNIERA	SCHARNIER	BISAGRA	
5	900.243.143	1	SHIELD	CAPOT	COFANO	HAUBE	CARCASA	
6	900.243.146	1	DIRECTION FLAP	AILETTE DE DIR.	VENTAGLIO	VERTEILERFLUEGEL	ALETA DE DIREC.	
7	900.243.144	1	DIRECTION FLAP	AILETTE DE DIR.	VENTAGLIO	VERTEILERFLUEGEL	ALETA DE DIREC.	
8	900.116.012	2	PIN	TOURILLON	PERNO	STIFT	PERNO	
9	900.103.009	2	NUT	ECROU	DADO	MUTTER	TUERCA	
10	900.243.132	1	FRAME	CHASSIS	TELAIO	RAHMEN	BASTIDOR	45
10	900.243.133	1	FRAME	CHASSIS	TELAIO	RAHMEN	BASTIDOR	55
11	900.241.288	1	U-BOLT	MANILLE	CAVALLOTTO	U-BOLZEN	SOPORTE	
12	900.243.043	1	CHAIN	CHAINE	CATENA	KETTE	CADENA	
13	900.243.149	1	HANDLE	POIGNEE	MANIGLIA	HALTEGRIF	MANETA	
15	900.102.020	9	SCREW	VIS	VITE	SCHRAUBE	TORNILLO	
16	900.243.136	1	SCREW	VIS	VITE	SCHRAUBE	TORNILLO	
17	900.243.137	1	BUSH	COQUILLE	BOCCOLA	BUCHSE	CASQUILLO	
18	900.243.140	1	PLATE	TOLE	LAMIERA	BLECH	CHAPA	
19	900.243.134	2	SLIDEWAY	GLISSIERE	GUIDA	HINTERTEIL	GUIA	
20	900.243.141	1	PLATE	TOLE	LAMIERA	BLECH	CHAPA	
21	900.243.047	2	HANDLE	POIGNEE	MANIGLIA	HALTEGRIF	MANETA	
22	900.243.139	1	PLATE	PLAQUE	PIASTRA	PLATTE	PLACA	
23	900.243.138	1	GUARD	PROTECTION	PROTEZIONE	SCHUTZ	PROTECCION	
24	900.103.020	4	NUT	ECROU	DADO	MUTTER	TUERCA	
25	900.243.135	2	STAND	SUPPORT	SOSTEGNO	STUETZE	SOPORTE	
26	900.102.189	4	SCREW	VIS	VITE	SCHRAUBE	TORNILLO	
27	900.243.053	2	HANDLE	POIGNEE	MANIGLIA	HALTEGRIF	MANETA	
28	900.243.054	1	ROTOR	ROTOR	ROTORE	ROTOR	ROTOR	45
28	900.243.055	1	ROTOR	ROTOR	ROTORE	ROTOR	ROTOR	55
29	900.102.012	-	SCREW	VIS	VITE	SCHRAUBE	TORNILLO	
30	900.111.038	-	PLATE	PLAQUE	PIASTRA	PLATTE	PLACA	
32	900.103.018	-	NUT	ECROU	DADO	MUTTER	TUERCA	
33	900.102.048	6	SCREW	VIS	VITE	SCHRAUBE	TORNILLO	
34	900.111.037	3	KNIFE	COUTEAU	COLTELLO	MESSER	CUCHILLA	
36	900.103.019	6	NUT	ECROU	DADO	MUTTER	TUERCA	
37	900.103.019	9	NUT	ECROU	DADO	MUTTER	TUERCA	
38	900.111.033	3	KNIFE	COUTEAU	COLTELLO	MESSER	CUCHILLA	
39	900.243.056	-	SUPPORT	SUPPORT	SUPPORTO	STUETZE	SOPORTE	
40	900.243.142	1	PLATE	TOLE	LAMIERA	BLECH	CHAPA	
41	900.102.076	2	SCREW	VIS	VITE	SCHRAUBE	TORNILLO	
42	900.103.020	2	NUT	ECROU	DADO	MUTTER	TUERCA	
43	900.102.291	48	SCREW	VIS	VITE	SCHRAUBE	TORNILLO	
44	900.103.117	48	NUT	ECROU	DADO	MUTTER	TUERCA	
45	900.104.073	2	WASHER	RONDELLE	RONDELLA	ZWISCHENSCHIEBE	ARANDELA	
46	900.243.071	1	ROD	TIGE	ASTA	STANGE	VARILLA	
47	900.109.011	2	PLUG	BOUCHON	TAPPO	DECKEL	TAPON	
48	900.102.007	8	SCREW	VIS	VITE	SCHRAUBE	TORNILLO	
49	900.103.020	8	NUT	ECROU	DADO	MUTTER	TUERCA	
50	900.102.007	-	SCREW	VIS	VITE	SCHRAUBE	TORNILLO	
51	900.103.001	-	NUT	ECROU	DADO	MUTTER	TUERCA	
52	900.102.019	2	SCREW	VIS	VITE	SCHRAUBE	TORNILLO	
53	900.103.050	2	NUT	ECROU	DADO	MUTTER	TUERCA	
54	900.109.012	1	PLUG	BOUCHON	TAPPO	DECKEL	TAPON	

SM/S 2

Gearbox



REF	CODE	QTY	ENGLISH	FRANÇAIS	ITALIANO	DEUTSCH	ESPAÑOL	NOTE
1	900.108.007	1	SPLIT PIN	GOUPILLE	COPIGLIA	ARRETIERUNG	PASADOR	
2	900.103.057	1	NUT	ECROU	DADO	MUTTER	TUERCA	
3	900.103.058	1	RING NUT	EMBOUT	GHIERA	NUTMUTTER	CASQUILLO	
4	900.243.025	1	RING	ANNEAU	ANELLO	RING	ANILLO	
5	900.101.051	1	OIL SEAL	PARE-HUILE	PARAGRASSO	SIMMERRING	PARA-ACEITE	
6	900.100.055	1	BEARING	ROULEMENT	CUSCINETTO	KUGELLAGER	COJINETE	
7	900.243.026	1	SUPPORT	SUPPORT	SUPPORTO	STUETZE	SOPORTE	
8	900.102.012	8	SCREW	VIS	VITE	SCHRAUBE	TORNILLO	
9	900.104.003	20	WASHER	RONDELLE	RONDELLA	ZWISCHENSCHIEBE	ARANDELA	
10	900.105.030	1	GREASE NIPPLE	GRAISSEUR	INGRASSATORE	SCHMIERNIPPEL	ENGRASADOR	
11	900.139.085	1	GASKET	JOINT	GUARNIZIONE	DICHTUNG	JUNTA	
12	900.243.027	1	RING	ANNEAU	ANELLO	RING	ANILLO	
13	900.101.033	1	OIL SEAL	PARE-HUILE	PARAOLIO	SIMMERRING	PARA-ACEITE	
14	900.105.028	1	KEY	CLAVETTE	CHIAVETTA	KEIL	CHAVETA	
15	900.100.055	1	BEARING	ROULEMENT	CUSCINETTO	KUGELLAGER	COJINETE	
16	900.243.028	1	SHAFT	ARBRE	ALBERO	WELLE	EJE	
17	900.243.029	1	CROWN	COURONNE	CORONA	TELLERRAD	CORONA	
18	900.105.029	2	KEY	CLAVETTE	CHIAVETTA	KEIL	CHAVETA	
19	900.243.030	1	LID	COUVERCLE	COPERCHIO	DECKEL	TAPA	
20	900.100.055	1	BEARING	ROULEMENT	CUSCINETTO	KUGELLAGER	COJINETE	
21	900.243.031	1	PINION	PIGNON	PIGNONE	RITZEL	PINON	
22	900.243.032	1	SHIM	EPAISSEUR	SPESSORE	STAERKE	ESPESOR	
23	900.139.086	1	GASKET	JOINT	GUARNIZIONE	DICHTUNG	JUNTA	
24	900.102.157	1	PLUG	BOUCHON	TAPPO	DECKEL	TAPON	
26	900.243.033	1	CASE	BOITE	SCATOLA	KISTE	CAJA	
27	900.102.158	1	PLUG	BOUCHON	TAPPO	DECKEL	TAPON	
28	900.139.082	1	GASKET	JOINT	GUARNIZIONE	DICHTUNG	JUNTA	
29	900.243.034	1	SHAFT	ARBRE	ALBERO	WELLE	EJE	
30	900.100.059	1	BEARING	ROULEMENT	CUSCINETTO	KUGELLAGER	COJINETE	
31	900.101.053	1	OIL SEAL	PARE-HUILE	PARAOLIO	SIMMERRING	PARA-ACEITE	
32	900.243.022	1	SUPPORT	SUPPORT	SUPPORTO	STUETZE	SOPORTE	
33	900.104.038	1	WASHER	RONDELLE	RONDELLA	ZWISCHENSCHIEBE	ARANDELA	
34	900.102.028	8	SCREW	VIS	VITE	SCHRAUBE	TORNILLO	
35	900.103.005	8	NUT	ECROU	DADO	MUTTER	TUERCA	
36	900.117.071	1	PROT. HOLDER	DISQUE	FONDELLO	ZWSCHUTZHALTER	DISCO	
37	900.117.073	1	GUARD	PROTECTION	PROTEZIONE	SCHUTZ	PROTECCION	
38	900.102.078	2	SCREW	VIS	VITE	SCHRAUBE	TORNILLO	
39	900.104.045	2	WASHER	RONDELLE	RONDELLA	ZWISCHENSCHIEBE	ARANDELA	
40	900.102.011	12	SCREW	VIS	VITE	SCHRAUBE	TORNILLO	
41	900.102.256	3	SCREW	VIS	VITE	SCHRAUBE	TORNILLO	

LIMITED WARRANTY POLICY



SOVEMA S.p.A., Manufacturer of quality machinery, guarantees new Sovema machinery from the time of delivery to the original purchaser to be free from defects in material and workmanship if properly set up and operated in accordance with recommendations set forth in SOVEMA's operator manual. SOVEMA's liability for any defect of accepted goods shall be limited to replacing them, or as SOVEMA shall elect.

The original purchaser will qualify for the SOVEMA warranty only after they have completed the warranty card in full and forwarded it to SOVEMA S.p.A. Italy or any SOVEMA branch.

SOVEMA's obligation shall terminate 12 (twelve) months after the date of purchase of the product by the original purchaser. This warranty cannot be assigned or transferred to anyone unless SOVEMA's consent in writing has first been obtained. All warranty claims must be forwarded to SOVEMA S.p.A. Italy or a SOVEMA branch within 8 (eight) days after occurrence.

The original purchaser will be responsible for and bear costs of:

- A) Normal maintenance such as greasing, maintenance of oil levels, minor adjustments, etc.
- B) Transportation of any kind of, any SOVEMA product to and from the place where warranty work is performed.

This warranty shall not apply to any machine which has been repaired or altered in any way outside the SOVEMA factory which affects its stability or reliability, nor which has been subject to misuse, negligence or accident, nor to any machine that has not been operated in accordance with SOVEMA's printed instructions, or operated beyond the company recommended capacity as per machine.

This warranty shall not be applicable to items which are subject to the warranties of their respective manufacturers. Such items would include but would not be limited to clutches, universal joints, knives, hydraulic components, bearings, tires, belts and other trade accessories.

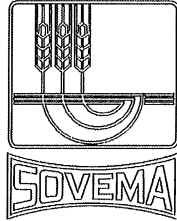
This warranty shall not be applicable to items defined as normal wearing items. Such items would include but would not be limited to belts, discs, knives, tines stone guards, tires, slip clutches, pitman shaft, swath sticks, blades or tine holders.

The judgement of SOVEMA S.p.A. in all cases of claims under this warranty shall be final and conclusive and the original purchaser agrees to accept its decisions about all questions as to defects and/or to the exchange of any part or parts.

No Agent, Employee or Representative of SOVEMA has any authority to bind SOVEMA to any affirmation, representation or warranty, concerning its machinery excepts as specifically set forth.

SOVEMA shall not be liable for special or consequential damages of any kind caused by any

SOVEMA S.p.A.
 Via Olmo, 6-8-10
 41010 Gaggio di Piano (MO)
 Italy



Telephone: 059 93 85 85
 Fax : 059 93 85 12
 E-mail : sovema@sovema.com
 Web site: www.sovema.com

WARRANTY REGISTRATION

This warranty will become valid only if this form is completed and signed by both the Purchaser and the Dealer and is returned within 8 days of purchase date! **IF NOT WARRANTY IS INVALID.**

TO FILL OUT

- ❖ *TYPE OF IMPLEMENT* : _____
- ❖ *IMPLEMENT SERIAL NUMBER* : _____
- ❖ *DATE OF PURCHASE* : _____

<p>DEALER: I HEREBY CERTIFY THAT</p> <ul style="list-style-type: none"> The machine has been correctly assembled in accordance with the manufacturers instructions. All nuts and bolts, oil level and grease have been checked. All safety guards and warning stickers have been placed on machine. PTO has been matched to tractor and greased. All other pre-delivery checks have been completed as per operators manual. Purchaser was given operators manual and instructed in safe and correct usage of machine and on limitation of warranty. Machine was tested and operates correctly. 	<p>PURCHASER: I HEREBY ACCEPT</p> <ul style="list-style-type: none"> That the machine is correctly assembled. Receipt of the operators manual which I have read and have clearly understood.. To have a clear understanding of the warranty limitations. To have a clear understanding of the correct and safe operation of the machine. That the machine need regular maintenance as instructions in operators manual. To have clear understanding on the capacity of this machine and made aware of its limitations.
--	---

<p style="text-align: center;">(address)</p> <p>_____ _____ _____</p> <p>Date: _____ Signature: _____</p> <p style="writing-mode: vertical-rl; transform: rotate(180deg);">DEALER</p>	<p style="text-align: center;">(address)</p> <p>_____ _____ _____</p> <p>Date: _____ Signature: _____</p> <p style="writing-mode: vertical-rl; transform: rotate(180deg);">PURCHASER</p>
--	---

COPY TO DELIVER TO: SOVEMA

SOVEMA S.p.A.
 Via Olmo, 6-8-10
 41010 Gaggio di Piano (MO)
 Italy



Telephone: 059 93 85 85
 Fax : 059 93 85 12
 E-mail : sovema@sovema.com
 Web site: www.sovema.com

WARRANTY REGISTRATION

This warranty will become valid only if this form is completed and signed by both the Purchaser and the Dealer and is returned within 8 days of purchase date! **IF NOT WARRANTY IS INVALID.**

TO FILL OUT

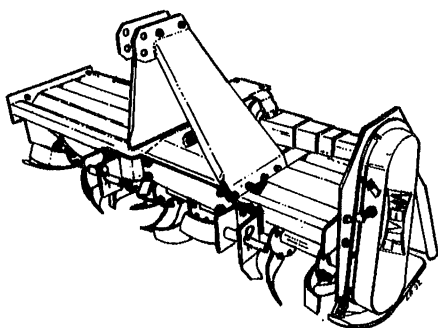
- ❖ **TYPE OF IMPLEMENT** : _____
- ❖ **IMPLEMENT SERIAL NUMBER** : _____
- ❖ **DATE OF PURCHASE** : _____

<p>DEALER: I HEREBY CERTIFY THAT</p> <ul style="list-style-type: none"> The machine has been correctly assembled in accordance with the manufacturers instructions. All nuts and bolts, oil level and grease have been checked. All safety guards and warning stickers have been placed on machine. PTO has been matched to tractor and greased. All other pre-delivery checks have been completed as per operators manual. Purchaser was given operators manual and instructed in safe and correct usage of machine and on limitation of warranty. Machine was tested and operates correctly. 	<p>PURCHASER: I HEREBY ACCEPT</p> <ul style="list-style-type: none"> That the machine is correctly assembled. Receipt of the operators manual which I have read and have clearly understood.. To have a clear understanding of the warranty limitations. To have a clear understanding of the correct and safe operation of the machine. That the machine need regular maintenance as instructions in operators manual. To have clear understanding on the capacity of this machine and made aware of its limitations.
--	---

<p style="text-align: center;">(address)</p> <p>_____ _____ _____</p> <p>Date: _____ Signature: _____</p> <p style="writing-mode: vertical-rl; transform: rotate(180deg);">DEALER</p>	<p style="text-align: center;">(address)</p> <p>_____ _____ _____</p> <p>Date: _____ Signature: _____</p> <p style="writing-mode: vertical-rl; transform: rotate(180deg);">PURCHASER</p>
--	---

PURCHASER COPY

SOVEMA Product Line

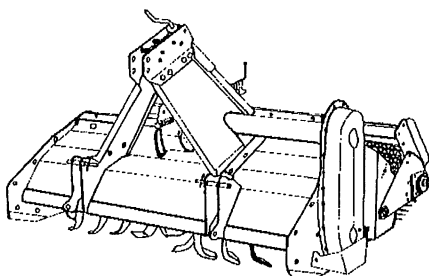
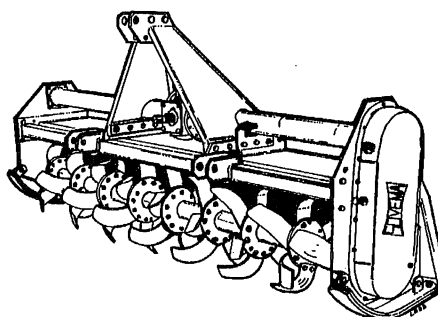


SIDE SHIFT ROTARY TILLERS

- 15 different models;
- For tractors from 12 to 70 HP
- Working width from 80 to 200 cm.

FIXED ROTARY TILLERS

- Over 45 different models;
- For tractors from 15 to 130 HP
- Working width from 80 to 300 cm.

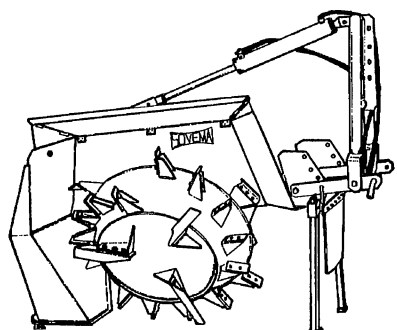
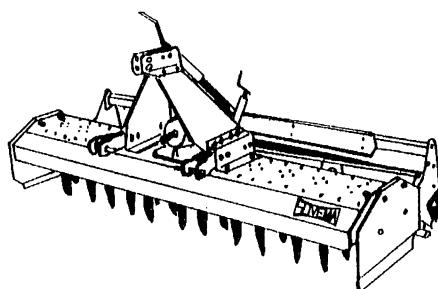


STONE BURRIERS

- 6 different models;
- For tractors from 35 to 90 HP
- Working width from 100 to 200 cm.

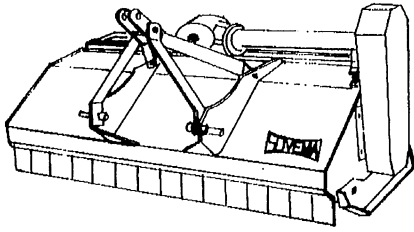
ROTARY HARROWS

- 13 different models;
- For tractors from 25 to 150 HP
- Working width from 110 to 500 cm.



ROTARY DITCHERS

- 10 different models;
- For tractors from 40 to 130 HP
- Working depth from 45 to 110 cm.

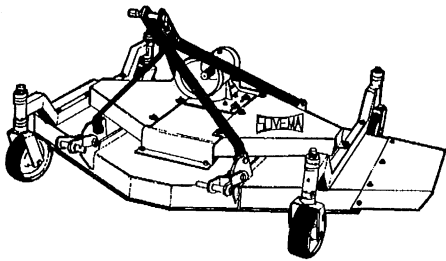
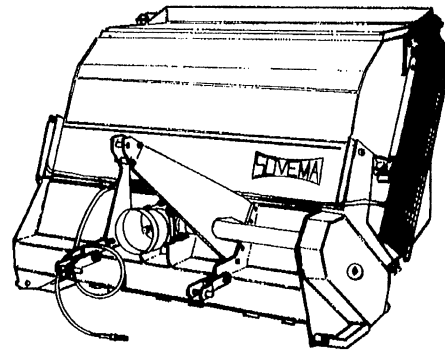


FLAIL MOWERS - SHREDDERS

- 35 different models;
- For tractors from 15 to 120 HP
- Working width from 100 to 470 cm.

MOWERS COLLECTOR

- 6 different models;
- For tractors from 30 to 60 HP
- Working width from 120 to 180 cm.
- Available with high discharge and low discharge

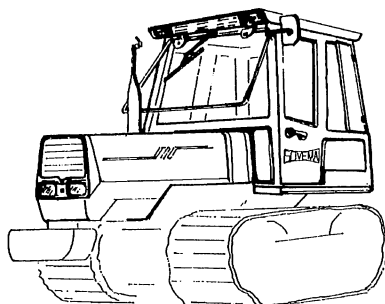
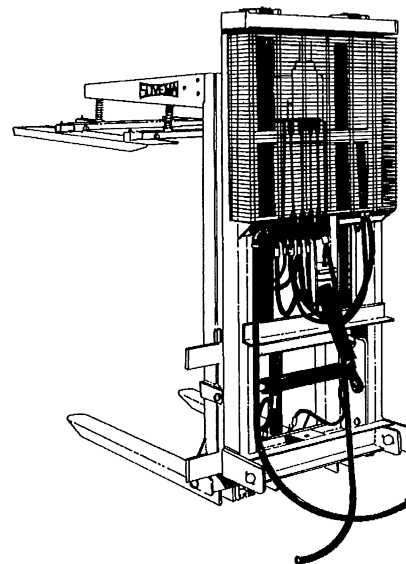


FINISHING MOWERS

- 14 different models;
- For tractors from 15 to 70 HP
- Working width from 100 to 300 cm.

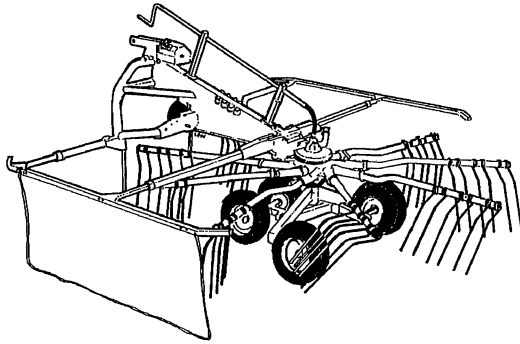
HYDRAULIC FORK-LIFTS

- 11 different models;
- For tractors up to 60 HP
- Lifting capacity from 1.300 Kg to 2.000 Kg.



TRACTOR CABS

- Over twenty models of cabs for eleven manufacturers of tractors;
- For tractors with wheels or crawlers;
- All models available with heating and/or air conditioned.

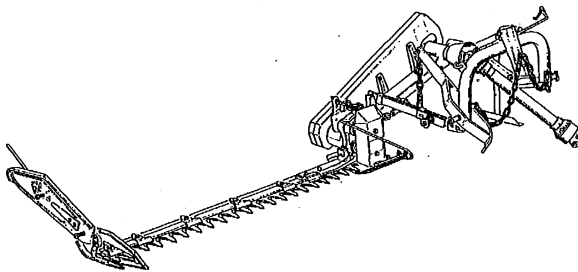
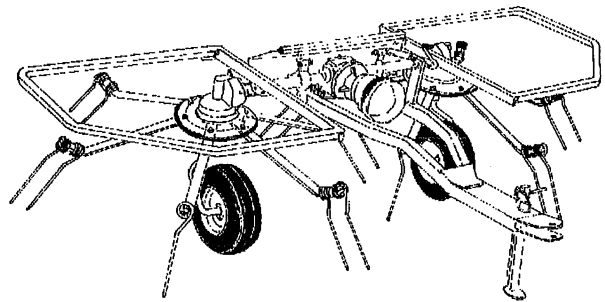


ROTARY RAKE

- 4 different models
- For tractors from 30 to 70 HP
- Working width from 340 to 695 cm.

HAY TEDDERS

- 6 different models (2, 4, 6 rotors)
- For tractors from 10 to 40 HP
- Working width from 310 to 730 cm.



SICKLE BAR MOWER

- 3 different models.
- For tractors from 10 to 15 HP.

FINGER WHEELS

- 8 different models (8-20 stars)
- For tractors from 30 to 80 HP
- Working width from 7.35 to 12.50 m.

