

**INSTRUCTION MANUAL**



**VFM/I-2**

**FLAIL MOWER**



# CONGRATULATIONS

Dear Owner,

Thank you for buying a SOVEMA manufactured product.

Your new machine is carefully designed and manufactured to give you superior performance and dependable service, if properly operated and maintained.

You will find this machine to be rugged and reliable when matched to the suggested horsepower operating range.

Much time has been invested in providing safety and protection. Please carefully read this manual. It tells you how to safely and easily assemble, operate and maintain your machine.

Be sure that you and any other operator carefully follow the recommended safety practices at all times. Failure to do so could result in personal injury or property damage.

Of course, if you should ever have any problems or questions, please contact your local SOVEMA dealer or contact us at the addresses or numbers indicated in this manual.

SOVEMA manufactures a variety of innovative equipment. If you are interested in reviewing our full line, please contact us.

Thanks for your choice.

Ginettino Mayer  
President

# TABLE OF CONTENTS

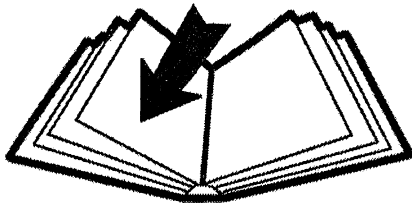
- SYMBOLS	Page 3
- GENERAL INFORMATION	Page 4
- SAFETY AND WARNING DECALS	Page 5
- SAFETY INSTRUCTIONS	Page 7
- MAIN CHECK	Page 10
- TECHNICAL SPECIFICATIONS	Page 11
- ATTACHING THE MACHINE TO THE TRACTOR	Page 12
- CUTTING HEIGHT ADJUSTMENT	Page 16
- BEGINNING WORK	Page 19
- TROUBLE SHOOTING	Page 20
- DISCONNECTING THE MACHINE FROM THE TRACTOR	Page 22
- STORING OF THE MACHINE	Page 23
- MAINTENANCE	Page 24
- TOXICOLOGICAL INFORMATION	Page 28
- PARTS LIST	Page 29
- WARRANTY POLICY	Page 38
- SOVEMA PRODUCT LINE	Page 42

# SYMBOLS

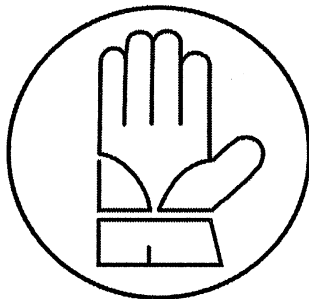
These symbols appear throughout the manual.  
Remember their meaning and advice.



**MEANS: CAUTION!  
YOUR SAFETY IS INVOLVED**



**MEANS: READ CAREFULLY**



**MEANS: USE PROTECTIVE GLOVES**

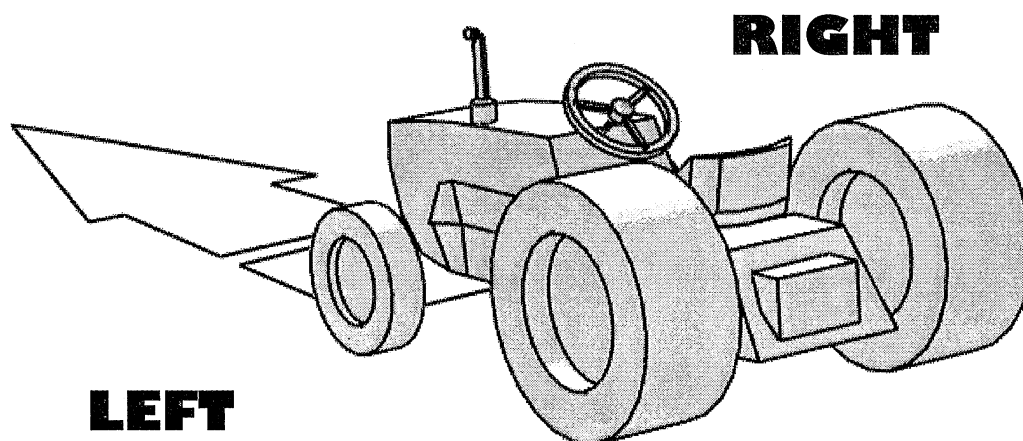
# GENERAL INFORMATION



All implements with moving parts are potentially hazardous. The manufacturer has designed the implement to be used with all the safety equipment properly attached. The purpose of this manual is to assist you in safely maintaining and operating the implement.

These instructions have been compiled from our experience. Through this experience and these instructions, you should be able to develop operating procedures suitable to your particular situation.

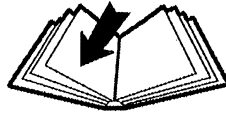
Illustrations and data used in this manual may vary slightly in some details. Throughout this manual references are made in left and right directions. These are determined by standing at the rear of the equipment and facing the direction of forward travel.



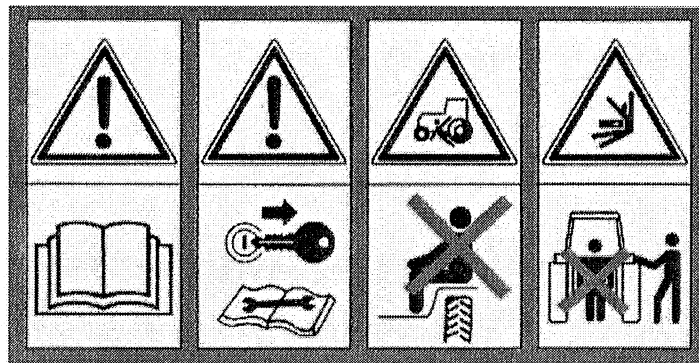
Even if some illustrations in this manual show the machine with safety shields removed for a better view, never operate in these conditions.

**BEFORE OPERATING THE IMPLEMENT, ALL SAFETY SHIELDS OR DEVICES MUST BE MOUNTED**

# SAFETY AND WARNING DECALS



Safety decals on the implement contain important safety warning messages. To prevent injuries we invite the operator to read them carefully and keep them clear. Check that all the decals are on the machine. If not, **DO NOT USE** the machine and report to the Dealer immediately to get the decals. Decals on the machine are the following and mean:



1

2

3

4



1. Before operating the equipment, read carefully the operator's manual.



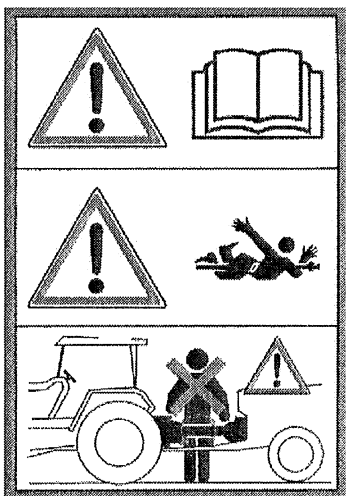
2. Before maintenance operation, lower the implement, shut off the engine and read the operator's manual.



3. Do not allow riders on tractor or implement.



4. Do not stand behind the tractor during the operations.



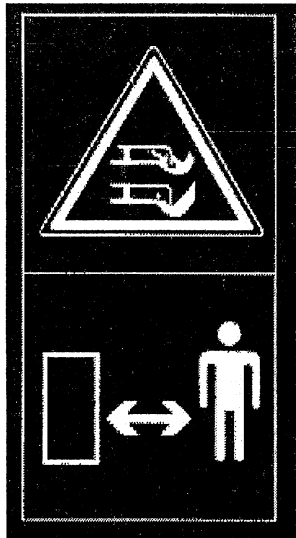
5. Before operating the equipment, read carefully the operator's manual.



6. DANGER! Entanglement of driveline..



7. **KEEP AWAY** from driveline in operation: contact can cause death!



8



8. Danger. Your hands and feet can be injured by moving parts. Keep away from the implement.



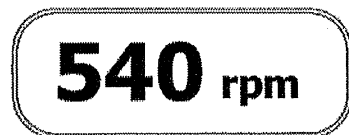
9. Danger. Your feet can be injured. Keep away from the implement.



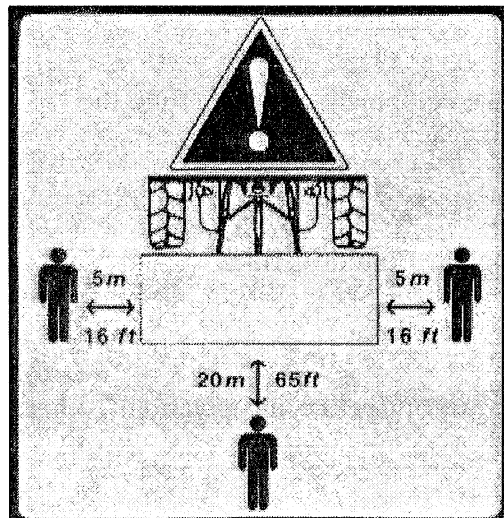
10. Danger. Your hands can be injured. Do not remove safety protection and keep away from moving parts.



11. Danger. Your hands can be injured. Do not remove the cover and keep away from moving parts.



12. The machine is designed for use on tractors with 540 RPM PTO only.



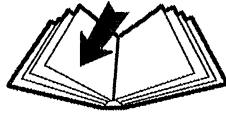
13. Caution! During working operations all bystanders must stay beyond the shown distances from the implement.














# SAFETY INSTRUCTIONS



Before using the implement you must be sure to know the main safety precautions; in fact many accidents are caused by not observing these rules.



## Pre-operational and operational safety rules

-  Make sure that no person operates this machine unless they first, thoroughly read and studied the operator instructions for this machine and understood all the safety precautions.
-  Keep all guards, shields and safety decals in place and proper working order before operating this machine.
-  Operate only with a tractor equipped with an approved Roll Over Protective System (ROPS) and always wear your seat-belt.
-  Operate only in daylight or good artificial light.
-  Only trained personnel can operate with the tractor and the implement.
-  **Personal protection equipment**, including safety shoes, safety glasses, hard hat and gloves are recommended during the different operations. Do not allow long hair, loose fitting clothing or jewellery to be around moving parts.
-  Do not leave the tractor seat until the engine is completely **turned off, brakes locked** and **ignition key removed**.
-  Do not allow riders on the machine or tractor at any time. No safe place for any rider.
-  Before starting to operate, be sure that the tractor's PTO is set to match the PTO requirements of the implement. The speed is indicated in this manual and on the implement.
-  Do not use different driveline . Always use type and size supplied by the manufacturer.
-  Make sure driveline spring-activated locking pin operate freely and are seated firmly in tractor PTO stub shaft groove.



For engaging or disengaging the tractor PTO, refer to your tractor manual.



Connect and disconnect PTO shaft only when tractor engine is turned off.



Keep hands, feet, hair and clothing away from moving parts.



To prevent injury by thrown objects DO NOT operate unless all personnel, livestock and pets are 20 m (65 ft) away.



The rotating parts of the machine have been designed and tested for rugged use. However they could fail upon impact with heavy solid objects. Such impact could cause the broken objects to be thrown outward at very high speed. To reduce the possibility of serious injury, or even death, never allow the rotating parts to contact such obstacles.



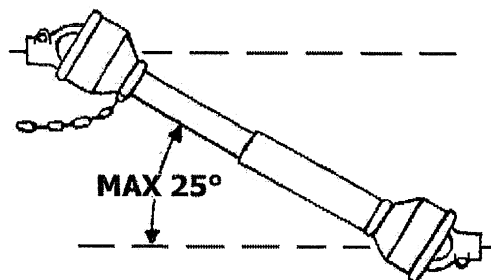
Stop the machine and tractor immediately upon striking an obstruction. Turn engine off, remove key, inspect and repair any damage before resuming operation.



No repairs or adjustments should be attempted while the machine is attached to a tractor that is turned on.



Working inclination of PTO driveline must not exceed 25° (see fig.1). Greater working angles will damage the PTO and serious personal injury could occur as well.



Disengage tractor PTO and place transmission into neutral before attempting to start engine.

## Transport safety



Plan your route to avoid heavy traffic.



For public roads, comply with state and local safety and movement rules.



Be sure that the implement is in the raised position for transport.



When you must drive, do not drink.



Pay attention to traffic when operating near or crossing roadways.



Reduce speed when transporting mounted implement to avoid bouncing and loss of steering control.



Pay attention when you turn curves or you go up and down on hills with the implement. Be sure that at least 25% of the tractor's weight is on the front wheels to maintain safe steering. Drive at a low speed.



NEVER allow riders on implement or tractor. Falling off can kill.



Be a safe and courteous driver.

## Maintenance safety



Good maintenance is your responsibility. Poor maintenance is an invitation to trouble.

**For maintenance follow these common practises:**



- keep service area clean;
- use adequate illumination for the job;
- be sure tools and electrical outlets are properly grounded;
- make sure there is plenty of ventilation.



Before making maintenance on this machine, drive to a level area, disengage the PTO, lower the machine, turn off the engine, set the brakes and remove the ignition key.



Keep all persons away from operator control area while performing maintenance.



ALWAYS use personal protection devices.



Periodically tighten all bolts, nuts and screws.



The implement manufacturers assumes no liability if replacement parts other than the original factory parts are used.



After servicing, be sure that all safety shields are re-installed properly.



Be sure that all safety decals are installed, clean and in good condition.



If the machine is modified from the original design, no responsibility for the manufacturer can be claimed.

# MAIN CHECK LIST



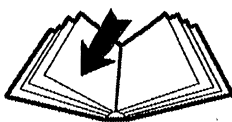
Before connecting the machine to the tractor, read the following instructions:

- Be sure the weight and power of the tractor is correct with the machine you want to connect. If you have any doubt, see the technical specifications.



- Ensure that all safety decals are properly installed and clean.
- Check oil in the gearbox. With low oil, gears get damaged.
- Be sure that all safety shielding is properly installed and in good condition.

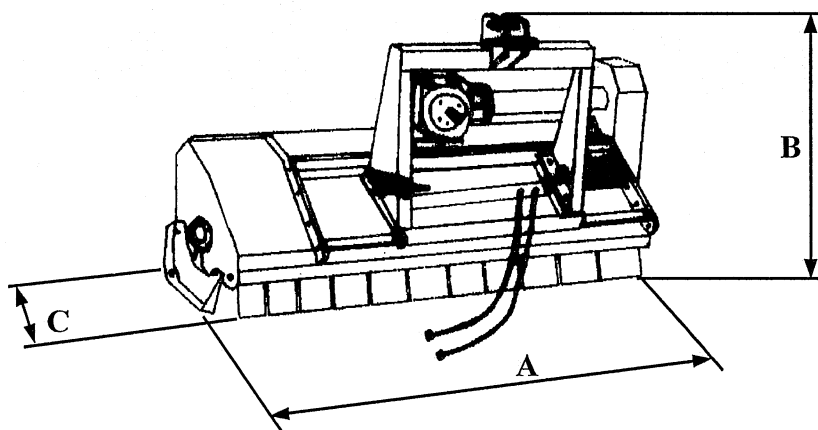
# TECHNICAL SPECIFICATIONS



The machine described in this manual is an **VFM-2 and VFI-2 series**.

## VFM and VFI SERIES

MOD.	Working width	HP	Pto (rpm)	Rotor (rpm)	Weight Kg./Lbs.	N° Knives					Width -A- cm/inches	Height -B- cm/inches	Depth -C- cm/inches
	cm/inches					0 8	20	17	18	12			
<b>VFM-2 120</b>	125 / 50"	25 - 40	540	2020	350 / 770	40	20	12	24	24	144 / 58"	100 / 40"	82 / 33"
<b>VFM-2 140</b>	140 / 56"	30 - 45	540	2020	397 / 873	48	24	12	24	24	160 / 64"	100 / 40"	82 / 33"
<b>VFM-2 160</b>	160 / 64"	35 - 50	540	2020	449 / 988	48	24	12	24	24	180 / 72"	100 / 40"	82 / 33"
<b>VFM-2 180</b>	180 / 72"	40 - 60	540	2020	500 / 1100	56	28	16	32	32	200 / 80"	100 / 40"	82 / 33"
<b>VFM-2 200</b>	200 / 80"	45 - 60	540	2020	555 / 1221	64	32	16	32	32	220 / 88"	100 / 40"	82 / 33"
<b>VFM-2 220</b>	220 / 88"	45 - 65	540	2020	615 / 1353	72	36	20	40	40	240 / 96"	100 / 40"	82 / 33"
<b>VFI-2 120</b>	125 / 50"	25 - 40	540	2020	355 / 781	40	20	12	24	24	144 / 58"	100 / 40"	82 / 33"
<b>VFI-2 140</b>	140 / 56"	30 - 45	540	2020	402 / 884	48	24	12	24	24	160 / 64"	100 / 40"	82 / 33"
<b>VFI-2 160</b>	160 / 64"	35 - 50	540	2020	454 / 999	48	24	12	24	24	180 / 72"	100 / 40"	82 / 33"
<b>VFI-2 180</b>	180 / 72"	40 - 60	540	2020	505 / 1111	56	28	16	32	32	200 / 80"	100 / 40"	82 / 33"
<b>VFI-2 200</b>	200 / 80"	45 - 60	540	2020	560 / 1232	64	32	16	32	32	220 / 88"	100 / 40"	82 / 33"
<b>VFI-2 220</b>	220 / 88"	45 - 65	540	2020	620 / 1364	72	36	20	40	40	240 / 96"	100 / 40"	82 / 33"



## LEVEL OF NOISE WHEN IDLING



**Lpa (A) 80 dB MAX**

# ATTACHING THE MACHINE TO THE TRACTOR



The machines described in this manual do apply to any kind of tractor provided of universal third hitch point.

The characteristics (length, diameter of the holes for the lifting pins) of the tractor's lifting arms depend on the type of tractor, therefore it is necessary to prepare the machine in order to conclude the attachment correctly.

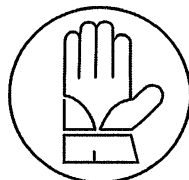
Before attaching the machine to the tractor you must be sure that the engine is turned off, brakes are locked and the ignition key is removed.

This operation must be made on a flat area as it is very dangerous.



Do not allow anyone between tractor and implement when the engine is running.

Follow these instructions:



Connect the hitch of the drawbar to the tractor using a hitch pin and the hair clip pin (see fig. 1)

UPPER  
PLATES

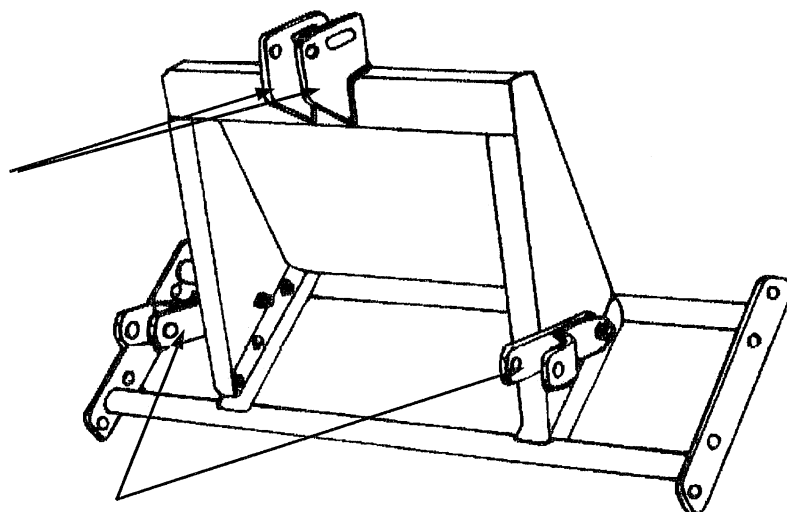


FIG. 1



Connect the third point of the tractor to the upper plates of the machine using a hitch pin and the hair clip pin (see fig. 1). By means of the tie rod of the hitch point, which permits regulation of the machine's inclination, set the machine even to the ground-floor (see fig. 2). This procedure extends life time of the PTO shaft and the machine.

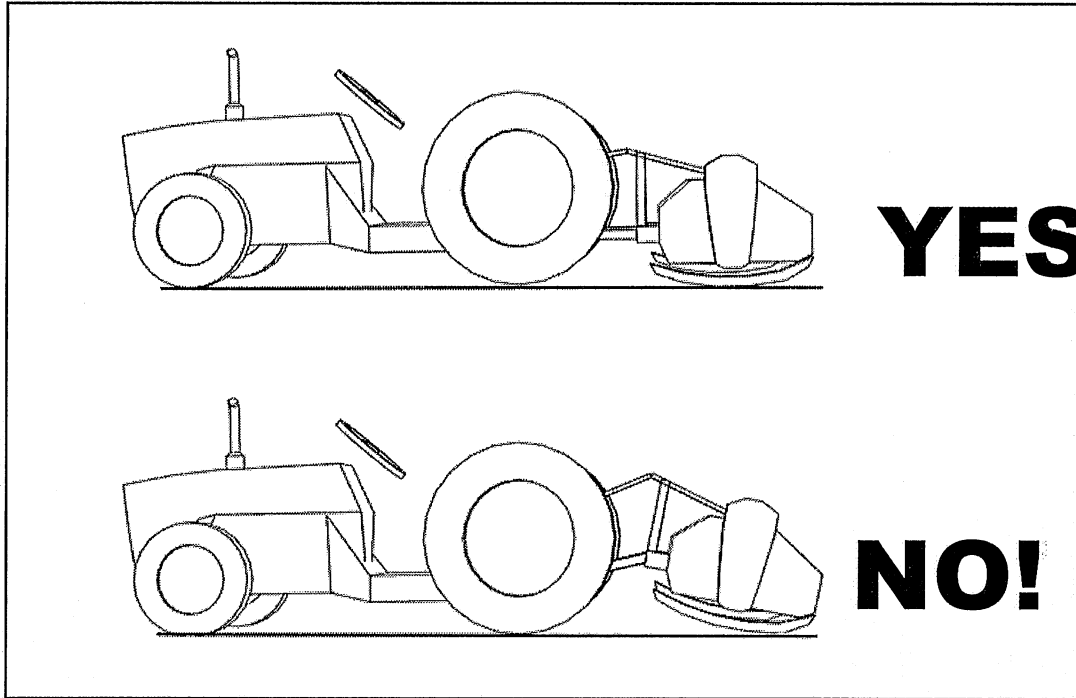


FIG. 2



Connect the PTO shaft and be sure it is correctly connected to the tractor and the machine.

## Shortening the PTO shaft

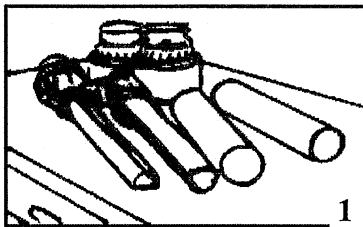
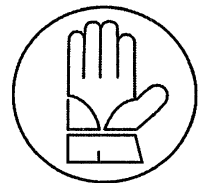
Due to the many different types of tractors, it may be necessary to shorten the PTO shaft.



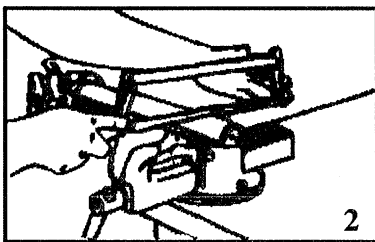
Always refer to the manual of the driveline's manufactures. Read it carefully.



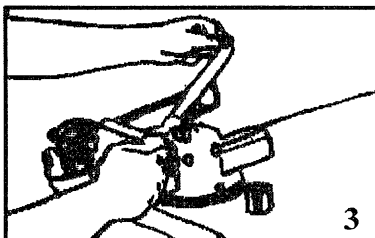
In case shortening is needed, listed below are some basic guidelines on performing this modification. Determine how much length is to be removed, then:



1) Remove plastic protection (both sections)

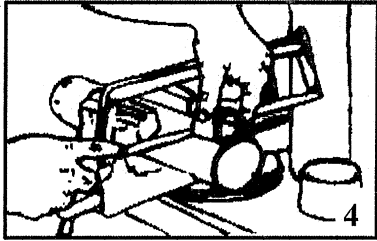



2) Cut the excess length of both tubes

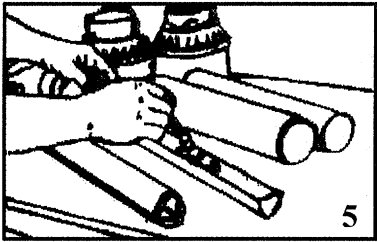



3) Deburr and clean the saw-dust off ends of tubes. Remove packing inside shaft tubing





-  4) Cut the plastic protection to the same length you have cut the joints

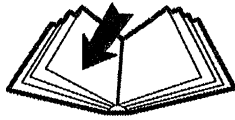


-  5) Grease the male joint section and reassemble protection



Do not use PTO shafts without proper shielding installed.

# CUTTING HEIGHT ADJUSTMENT



To set the machine's cutting height, adjust the two lateral skids as follows (see fig. 1):

- Loosen screw "a",
- Unscrew screw "b".
- Adjust the skid as needed, screwing back screw "b" in one of the holes located in the skid itself.
- Adjust screw "a".

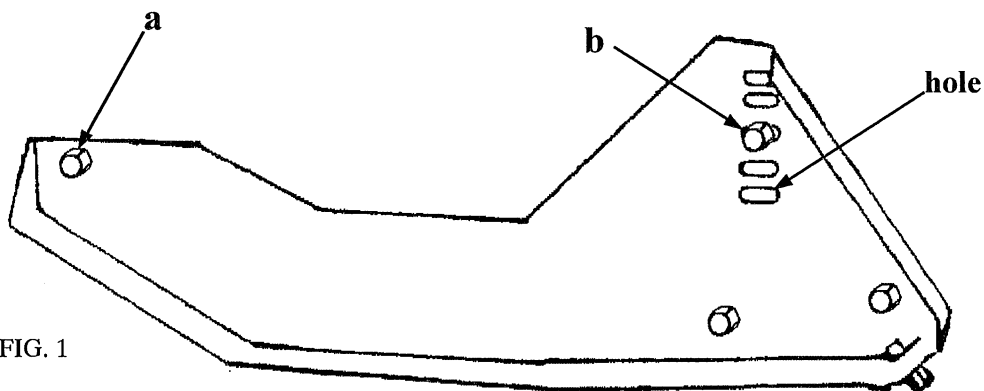
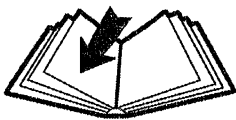


FIG. 1



To get on even soil, make sure both skids are at the same position.



If your machine is equipped with rear roller other than the skid, the adjustment is carried out by skid, as explained before (see fig. 2).

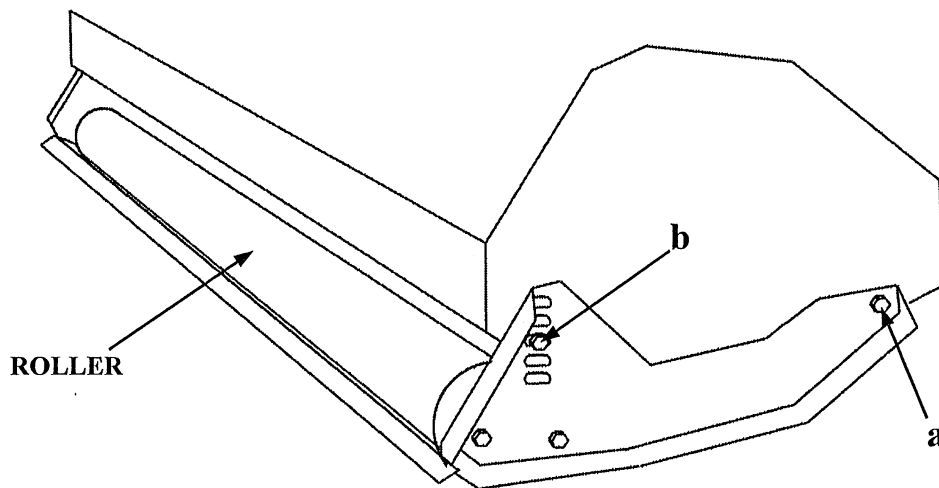


FIG. 2



## Side Shift Adjustment

### Mechanical shifting

- Disconnect the tractor's PTO shaft;
- After the rotor has completely stopped, turn off the tractor's engine and insert the parking brakes;
- Rotate the crank of the adjustment screw until you have reached the working position needed (see fig. 3);
- Get on the tractor and continue working.

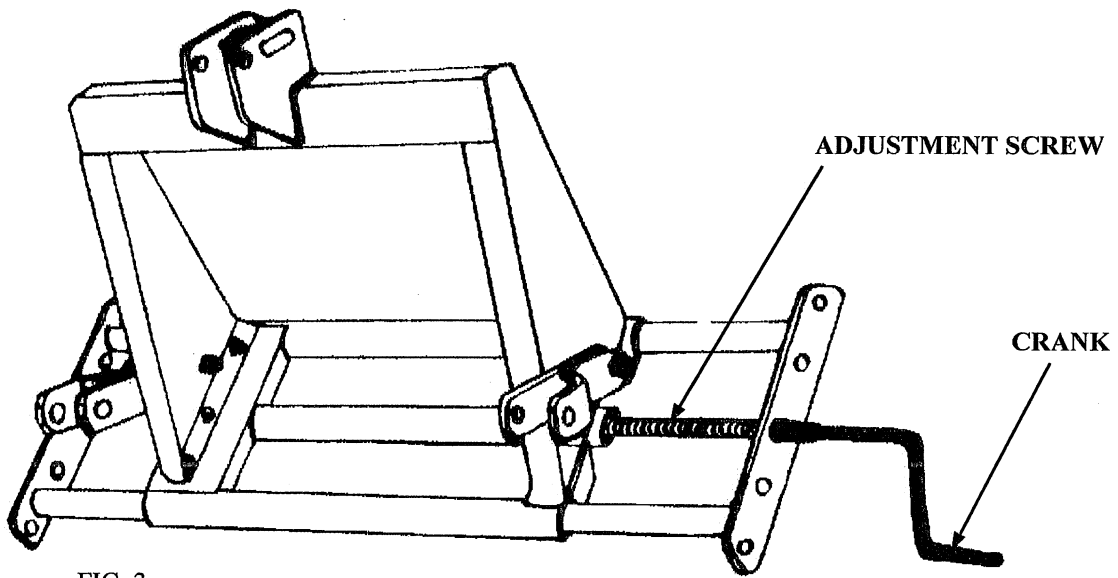


FIG. 3

### Hydraulic shifting

- For those versions of the machine equipped with hydraulic cylinder and corresponding tubes (see fig. 4), move the arms that control the hydraulic circuit of the tractor.

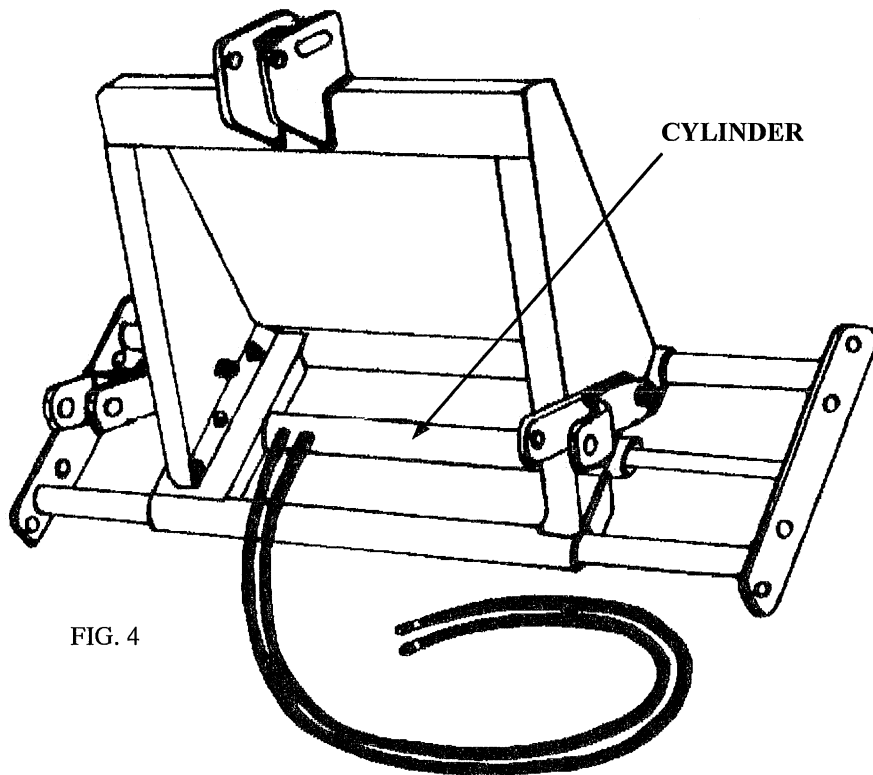
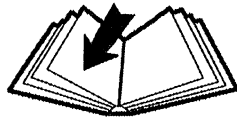


FIG. 4

# BEGINNING WORK



After completing all safety controls, to avoid damage start as follows:

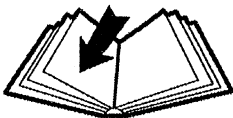
- Raise the machine off the ground in order to let the knives start moving without touching ground.
- Maintaining the machine raised, engage the tractor PTO at suggested engine RPM.
- Start moving the tractor forward and then gradually lower the machine.

## Cutting tips

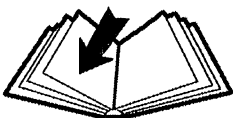


Proper ground speed for cutting will depend upon the height, type and density of the grass to be cut. However we suggest not to exceed 7 Km/h.

Lower ground speed allows tall and dense grass cutting. Taking a partial cut and/or reversing the direction of travel may also produce a cleaner cut. Remember, sharp knives produce cleaner cuts and require less power.

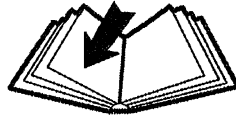


Important: very low cutting heights should be avoided. Damaging shock loads occur when the knives strike the ground repeatedly. This can cause damage to the machine.



During operation, always raise the machine off the ground before doing a curve to avoid damage to the roller supports and to the lateral sides where the skids are positioned.

# TROUBLE SHOOTING



During work several problems can happen:

## Unusual noise

While working, if the **machine** made **unusual noise**, the operator must **stop it immediately** and follow next instructions:

- **Check for broken/bent parts.**
- **Check for correct oil level in the gearbox case.**

When present incorrect oil level (see chapter on maintenance), the gears of the gearbox are not lubricated correctly, and if continue to rotate, would determine a significant **increase in oil temperature**. If continue working in this condition **will quickly take to damage gear bearings**.

- **Check knives conditions.**

If some of the knives are broken, bent or worn, this will take to unbalance rotor, and if continue moving will take to brake support bearings and frame welding in a short time. To avoid this inconvenience it is advisable to replace all knives at the same time with originals (see chapter on maintenance).

- **Check condition of rotor support bearings.**

Inadequate lubrication (see chapter on maintenance) may cause damage on one of the two rotor support bearings. The rotor begins to oscillate causing an excessive vibration to the frame and in short time, the damage of its weldings.

Another possible cause for bearing damage could be the impact of the rotor to a solid object, as a stone.

## Cutting defects

After work, if cut doesn't result uniform and clean, follow next instructions:

- **Check knife conditions.**

In case of worn knives, you need to replace them (see chapter on maintenance).

- **Check if cutting height adjustment has been done correctly.**

It is possible that adjustment has not been done in the same way for both lateral sides of the machine.

After work, if cut doesn't result clean, follow next instructions:

- **Check belt condition after removing the cover that protects them.**

In fact, there is a possibility of belt sliding, not letting the knives cut with adequate power. Belt sliding occurs when lack of tension itself (belt going too slow) or belt wear (see chapter on maintenance).

-If belts give signs of deterioration (even of small entity), immediate replacement is required.

-If belts are slow, immediate tensioning is required.

If after work the cut doesn't present clean, it is possible that the machine's going speed is **not opportunely adequate** to the number of turns the rotor does, and therefore to the cutting speed of the knives. Often happens that speed of the machine doesn't give enough time to the knives for a correct cutting.



Before checking the machine to find the possible cause of malfunctioning, be sure the tractor's PTO is disconnected, tractor's engine turned off, brakes on, key ignition off the command board, and the machine completely lowered to the ground.

# DISCONNECTING THE MACHINE FROM THE TRACTOR



Disconnecting of the machine must be carried out on flat area, and it is considered a very dangerous operation. You must pay attention. Follow these instructions:



While remaining in the tractor seat, put the tractor PTO in neutral.



When the rotors are completely stopped, turn off the engine and set the parking brakes.



Remove the ignition key.



Descend from the tractor and disconnect the driveline.



If you have an hydraulic fold machine, disconnect hydraulic hoses from the tractor.



Engage the parking stand.



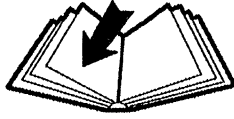
Disconnect the hitch of the drawbar from the tractor.



Before disconnecting the driveline, be sure the tractor PTO is in neutral and engine is off.



# STORING OF THE MACHINE



As your machine is an investment and if remains unused for a long period, we suggest the following procedures:

- Wash and dry the machine;
- Check all moving parts. For excessive wear replace the parts or contact your local dealer;
- Check bolts and nuts for proper tightness;
- Lubricate all the active parts like bearings, all grease zerks locations and other pivot or wear points that may not have a fitting;
- Lubricate all not-painted parts;
- Store the machine in a clean and dry place under roof.

# MAINTENANCE



For long life of your machine and trouble free operation, regular program of maintenance is required.

The recommended phases of maintenance are for normal use and can be varied depending on the different conditions.



Always disengage tractor PTO before starting maintenance.



## Before beginning to cut

- For those versions of the machine equipped with crank, be sure the screw of the lateral shifting is correctly lubricated.

## Every 10 working hours

- Check for loose bolts that fix the knives to the rotor. Tighten as needed;
- Grease the PTO shaft components;
- Clean the end of PTO shaft with non toxic / non inflammable detergent;
- Be sure driveline shields are in place and in good condition;
- Grease lateral supports of the rotor. Before greasing, clean the grease nipple correctly for better lubrication. The lateral support of the right is at sight, the left one is covered by the cover itself. To be able to grease this last one, you will find a hole in the back part of the cover. Use lithium type grease NLGI2.
- Clean the machine.

## Every 20 working hours

- Check belt tensioning by measuring belt tightness. Correct tightness results when belt deflection along the front side of the belt is 1 cm, as a result of the pressure applied with the index finger to the centre of the belt length (see fig. 1).

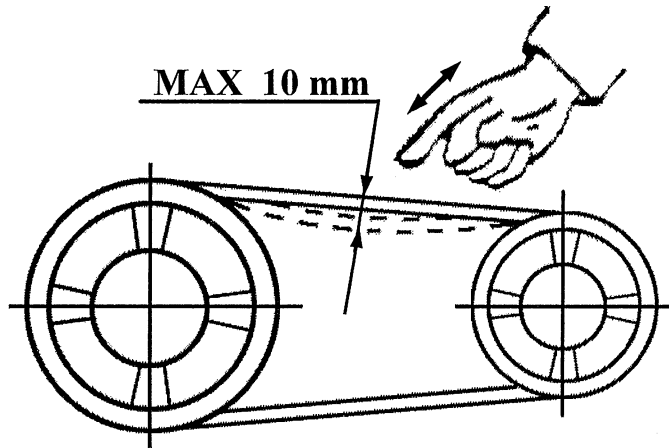


FIG. 1

In the case belt adjustment was needed, proceed as follows (see fig. 2):

- take out the cover;
- loosen both upper nuts "a";
- rotate both lower nuts "b" in order to raise the tube, and therefore the upper pulley;
- be sure that deflection along the front side of the belt is 1 cm, as explained before;
- tighten both upper nuts "a";
- put the cover back in place.

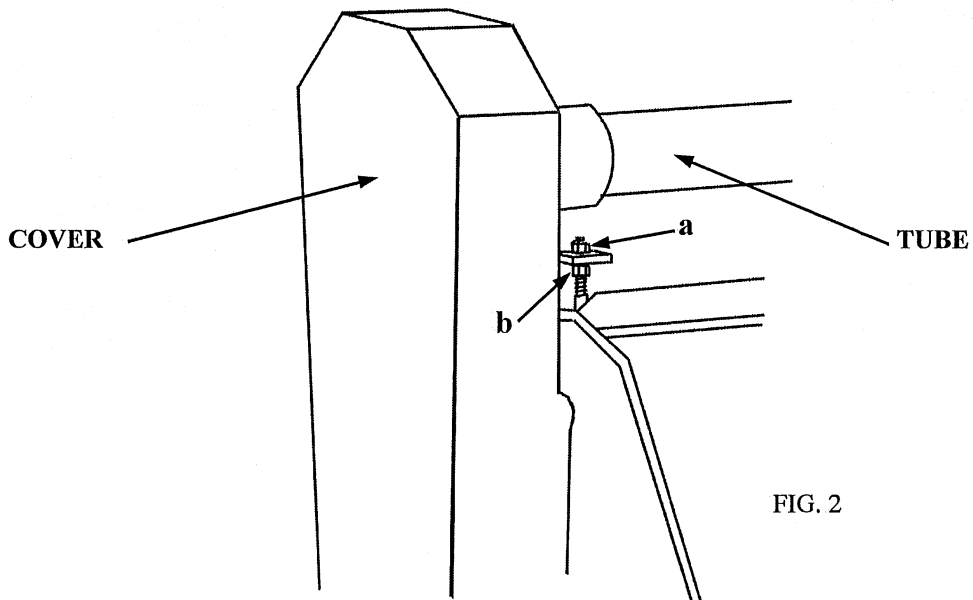


FIG. 2

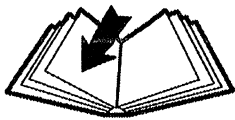


It is very important that both lower nuts "b" are being adjusted in the same way.

If belt presents signs of deterioration (even of small entity), or belt tension adjustment is not possible because on maximum limit of tensioning, provide to replace it. Before replacement clean both pulleys.



Remember to tighten the belt correctly.



If machine requires frequent belt replacement, which is not normal, check that rotor rotates liberally without obstacles in movement.

- Be sure knives are sharpen uniformly. If necessary substitution, replace with original knives.
- Check gearbox correct oil level. To proceed, remove the oil level plug (see fig. 3). If needed to add oil, remove the filler plug located in the top part of the box, and fill in until oil starts running out of the level hole.

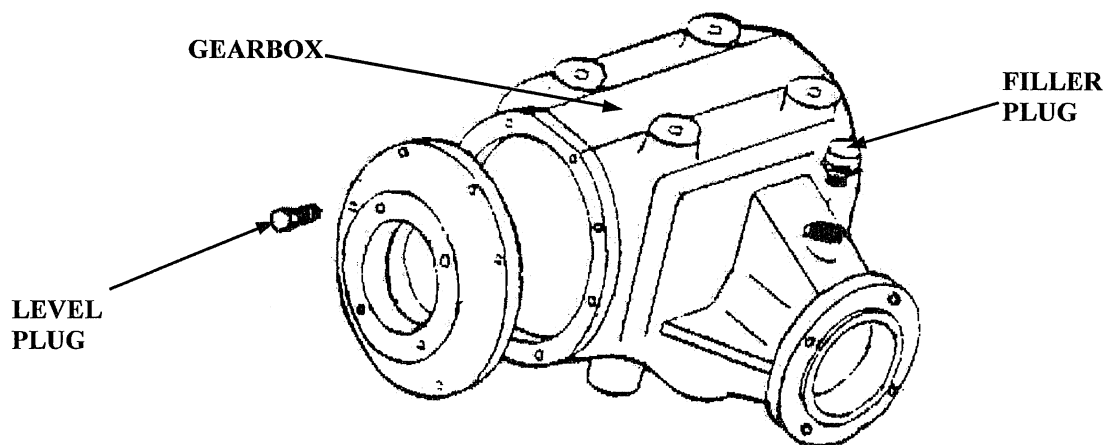
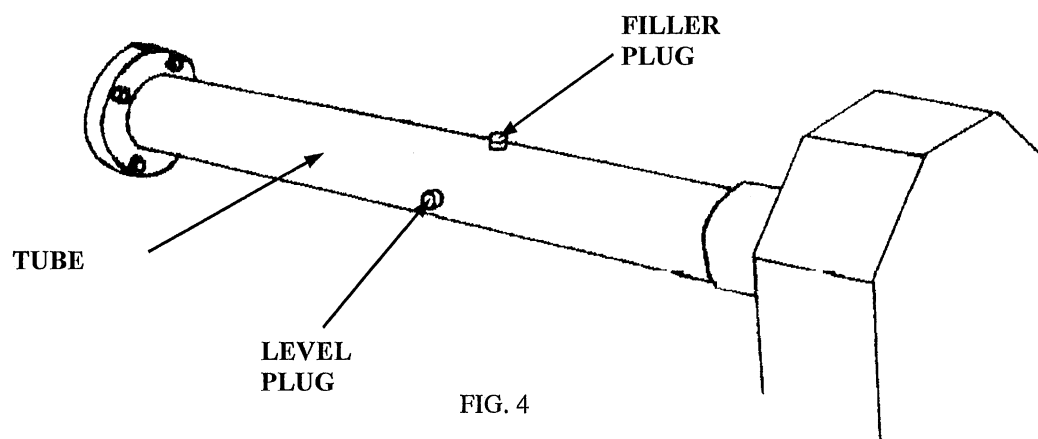


FIG. 3

- Check correct oil level of the tube. To proceed, remove the oil level plug (see fig. 4). If needed to add oil, remove the filler plug and fill in until oil starts running out of the oil level hole.



### Every 50 working hours

- For those versions of the machine equipped with rear roller, proceed to grease its lateral supports. Before greasing, clean the grease nipple correctly for better lubrication. Use lithium type grease NLGI2.

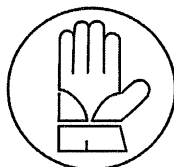
### First 100 working hours

- When the machine has done its first 100 hours, change the oil from the gearbox. To proceed, remove the plug located under the box, drain all the oil through the discharging hole, then fill in with new oil through the filler hole. This substitution is necessary because the gears are new and so are subject to quicker worn. Use oil SAE 80 W 90 API GL4.

### Every 300 working hours

- Completely replace gearbox oil, proceeding as explained before. Use oil SAE 80 W 90 API GL4.

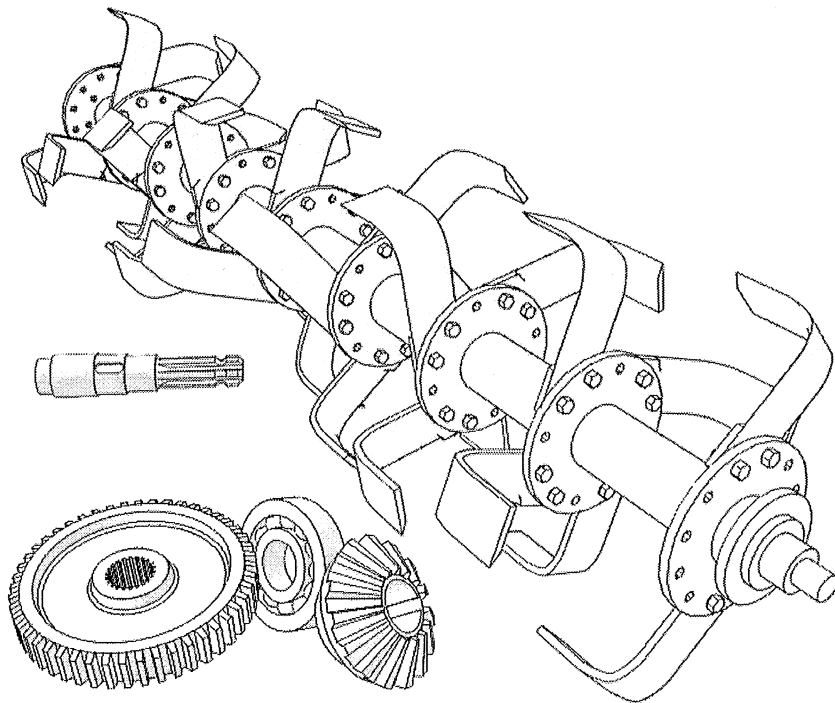
# TOXICOLOGICAL INFORMATION ABOUT LUBRICANTS



	TYPES OF DANGER	PROTECTIVE EQUIPMENT	PRIMARY INTERVENTION
<b>SKIN</b>	Possible irritation after prolonged contact	Gloves and/or lotion barrier	Wash with soap & water
<b>EYES</b>	Possible irritation on contact	Protective goggles	Rinse thoroughly w/ running water
<b>INHALATION</b>	Possible irritation after prolonged exposure	Maintain an oil mist level of 5mg/m <sup>3</sup> between TLV-TWA limits	Expose to fresh air and call medical assistance immediately
<b>INGESTION</b>	Such possibility not considered		DO NOT provoke vomiting; call medical assistance immediately

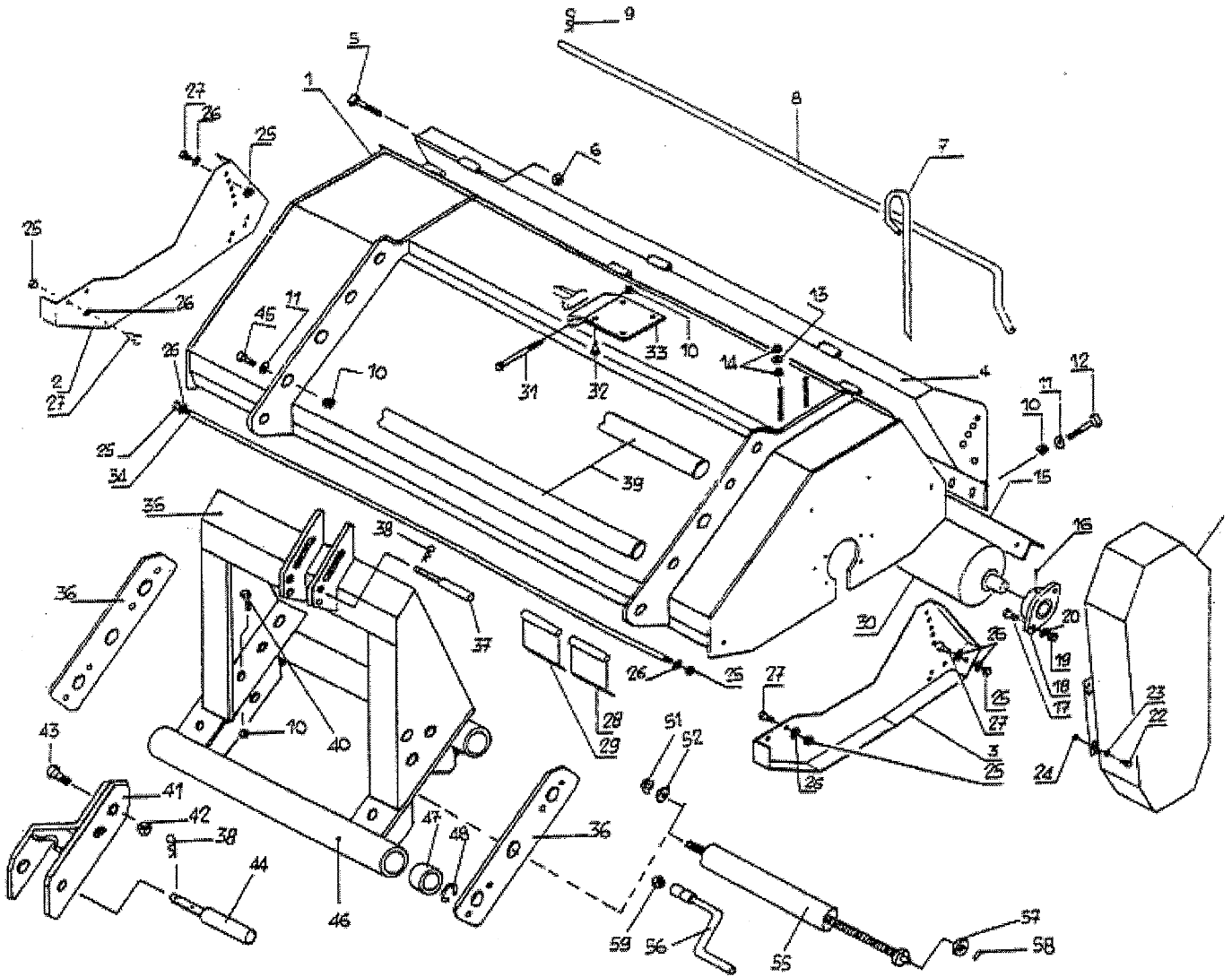
# SPARE PARTS LIST

# VFM-VFI Model



# VFM-2

## Frame



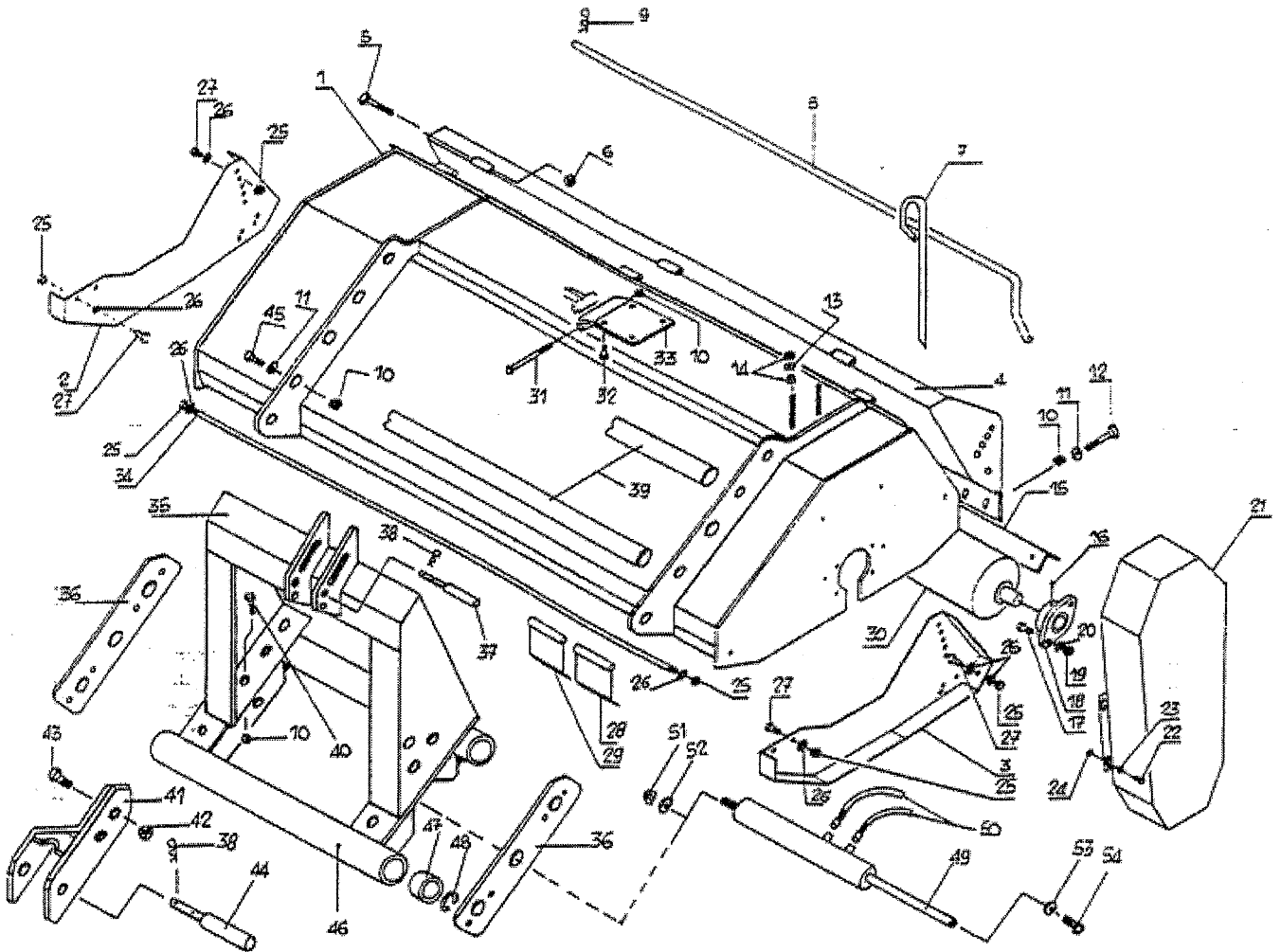
REF	CODE	QTY	ENGLISH	FRANÇAIS	ITALIANO	DEUTSCH	ESPAÑOL	NOTE
1	900.142.250	1	FRAME	CHASSIS	TELAIO	RAHMEN	BASTIDOR	120
1	900.142.251	1	FRAME	CHASSIS	TELAIO	RAHMEN	BASTIDOR	140
1	900.142.252	1	FRAME	CHASSIS	TELAIO	RAHMEN	BASTIDOR	160
1	900.142.253	1	FRAME	CHASSIS	TELAIO	RAHMEN	BASTIDOR	180
1	900.142.254	1	FRAME	CHASSIS	TELAIO	RAHMEN	BASTIDOR	200
1	900.142.255	1	FRAME	CHASSIS	TELAIO	RAHMEN	BASTIDOR	220
2	900.251.007	1	SKID	PATIN	SLITTA	KUFE	CORREDERA	
3	900.251.008	1	SKID	PATIN	SLITTA	KUFE	CORREDERA	
4	900.114.100	1	SHIELD	CAPOT	COFANO	HAUBE	CARCASA	120
4	900.114.101	1	SHIELD	CAPOT	COFANO	HAUBE	CARCASA	140
4	900.114.102	1	SHIELD	CAPOT	COFANO	HAUBE	CARCASA	160
4	900.114.103	1	SHIELD	CAPOT	COFANO	HAUBE	CARCASA	180
4	900.114.104	1	SHIELD	CAPOT	COFANO	HAUBE	CARCASA	200
4	900.114.105	1	SHIELD	CAPOT	COFANO	HAUBE	CARCASA	220
5	900.102.204	3	SCREW	VIS	VITE	SCHRAUBE	TORNILLO	
6	900.103.018	3	NUT	ECROU	DADO	MUTTER	TUERCA	
7	900.240.228	-	ROD	TIGE	ASTA	STANGE	VARILLA	
8	900.151.001	1	PIN	CHEVILLE	SPINA	DORN	CLAVIJA	120
8	900.151.002	1	PIN	CHEVILLE	SPINA	DORN	CLAVIJA	140
8	900.151.003	1	PIN	CHEVILLE	SPINA	DORN	CLAVIJA	160
8	900.151.004	1	PIN	CHEVILLE	SPINA	DORN	CLAVIJA	180
8	900.151.005	1	PIN	CHEVILLE	SPINA	DORN	CLAVIJA	200
8	900.151.006	1	PIN	CHEVILLE	SPINA	DORN	CLAVIJA	220



REF	CODE	QTY	ENGLISH	FRANÇAIS	ITALIANO	DEUTSCH	ESPAÑOL	NOTE
9	900.108.005	1	SPLIT PIN	GOUPILLE	COPIGLIA	ARRETIERUNG	PASADOR	
10	900.103.021	19	NUT	ECROU	DADO	MUTTER	TUERCA	
11	900.104.044	12	WASHER	RONDELLE	RONDELLA	ZWISCHENSCHLEIBE	ARANDELA	
12	900.102.255	4	SCREW	VIS	VITE	SCHRAUBE	TORNILLO	120-140
12	900.102.222	4	SCREW	VIS	VITE	SCHRAUBE	TORNILLO	160-220
13	900.104.010	2	WASHER	RONDELLE	RONDELLA	ZWISCHENSCHLEIBE	ARANDELA	
14	900.103.050	4	NUT	ECROU	DADO	MUTTER	TUERCA	
15	900.251.014	1	SCRAPER	RACLEUR	RASCHIARULLO	WALZENSCHABER	RASCARODILLO	120
15	900.251.015	1	SCRAPER	RACLEUR	RASCHIARULLO	WALZENSCHABER	RASCARODILLO	140
15	900.251.016	1	SCRAPER	RACLEUR	RASCHIARULLO	WALZENSCHABER	RASCARODILLO	160
15	900.251.017	1	SCRAPER	RACLEUR	RASCHIARULLO	WALZENSCHABER	RASCARODILLO	180
15	900.251.018	1	SCRAPER	RACLEUR	RASCHIARULLO	WALZENSCHABER	RASCARODILLO	200
15	900.251.041	1	SCRAPER	RACLEUR	RASCHIARULLO	WALZENSCHABER	RASCARODILLO	220
16	900.105.007	2	GREASE NIPPLE	GRAISSEUR	INGRASSATORE	SCHMIERNIPPEL	ENGRASADOR	
17	900.102.100	4	SCREW	VIS	VITE	SCHRAUBE	TORNILLO	120-140
17	900.102.096	4	SCREW	VIS	VITE	SCHRAUBE	TORNILLO	160-220
18	900.100.082	2	SUPPORT	SUPPORT	SUPPORTO	STUETZE	SOPORTE	120-140
18	900.100.030	2	SUPPORT	SUPPORT	SUPPORTO	STUETZE	SOPORTE	160-220
19	900.103.018	4	NUT	ECROU	DADO	MUTTER	TUERCA	120-140
19	900.103.021	4	NUT	ECROU	DADO	MUTTER	TUERCA	160-220
20	900.104.045	4	WASHER	RONDELLE	RONDELLA	ZWISCHENSCHLEIBE	ARANDELA	120-140
20	900.104.044	4	WASHER	RONDELLE	RONDELLA	ZWISCHENSCHLEIBE	ARANDELA	160-220
21	900.240.122.0	1	COVER	CARTER	CARTER	GEHAEUSE	CARTER	
22	900.102.124	4	SCREW	VIS	VITE	SCHRAUBE	TORNILLO	
23	900.104.057	4	WASHER	RONDELLE	RONDELLA	ZWISCHENSCHLEIBE	ARANDELA	
24	900.103.020	4	NUT	ECROU	DADO	MUTTER	TUERCA	
25	900.103.019	8	NUT	ECROU	DADO	MUTTER	TUERCA	
26	900.104.046	10	WASHER	RONDELLE	RONDELLA	ZWISCHENSCHLEIBE	ARANDELA	
27	900.102.098	6	SCREW	VIS	VITE	SCHRAUBE	TORNILLO	
28	900.238.063	-	FLAP	AILETTE	ALETTA	SCHUTZLAMELLE	ALETA	
29	900.238.064	-	FLAP	AILETTE	ALETTA	SCHUTZLAMELLE	ALETA	
30	900.240.116	1	ROLLER	ROULEAU	RULLO	WALZE	RODILLO	120
30	900.251.050	1	ROLLER	ROULEAU	RULLO	WALZE	RODILLO	140
30	900.251.027	1	ROLLER	ROULEAU	RULLO	WALZE	RODILLO	160
30	900.240.118	1	ROLLER	ROULEAU	RULLO	WALZE	RODILLO	180
30	900.251.051	1	ROLLER	ROULEAU	RULLO	WALZE	RODILLO	200
30	900.251.052	1	ROLLER	ROULEAU	RULLO	WALZE	RODILLO	220
31	900.102.298	1	SCREW	VIS	VITE	SCHRAUBE	TORNILLO	
32	900.102.018	4	SCREW	VIS	VITE	SCHRAUBE	TORNILLO	
33	900.240.109	1	SUPPORT	SUPPORT	SUPPORTO	STUETZE	SOPORTE	
34	900.240.112	1	ROD	TIGE	ASTA	STANGE	VARILLA	120
34	900.251.053	1	ROD	TIGE	ASTA	STANGE	VARILLA	140
34	900.251.028	1	ROD	TIGE	ASTA	STANGE	VARILLA	160
34	900.240.114	1	ROD	TIGE	ASTA	STANGE	VARILLA	180
34	900.251.054	1	ROD	TIGE	ASTA	STANGE	VARILLA	200
34	900.251.055	1	ROD	TIGE	ASTA	STANGE	VARILLA	220
35	900.251.112	1	HITCH	ATTelage	ATTACCO	ANBAU	ENGANCHE	
36	900.150.002	2	SUPPORT	SUPPORT	SUPPORTO	STUETZE	SOPORTE	
37	900.116.028	1	PIN	TOURILLON	PERNO	STIFT	PERNO	
38	900.108.006	3	SPLIT PIN	GOUPILLE	COPIGLIA	ARRETIERUNG	PASADOR	
39	900.240.244	2	BAR	BARRE	BARRA	STANGE	BARRA	
40	900.102.027	6	SCREW	VIS	VITE	SCHRAUBE	TORNILLO	
41	900.251.111	2	ARM	BRAS	BRACCIO	ARM	BRAZO	
42	900.103.106	4	NUT	ECROU	DADO	MUTTER	TUERCA	
43	900.102.105	4	SCREW	VIS	VITE	SCHRAUBE	TORNILLO	
44	900.116.033	2	PIN	TOURILLON	PERNO	STIFT	PERNO	
45	900.102.096	8	SCREW	VIS	VITE	SCHRAUBE	TORNILLO	
46	900.251.110	1	MINI TRAILER	CHARIOT	CARRELLO	FAHRGESTELL	REMOLQUE	
47	900.240.239	4	BUSH	COQUILLE	BOCCOLA	BUCHSE	CASQUILLO	
48	900.106.033	4	CIRCLIP	SERFLEX	SEEGER	SEEGER	SEEGER	
51	900.103.023	1	NUT	ECROU	DADO	MUTTER	TUERCA	
52	900.104.043	1	WASHER	RONDELLE	RONDELLA	ZWISCHENSCHLEIBE	ARANDELA	
55	900.120.065	1	ADJUST.SCREW	VIS DE REGL.	VITE REG.	EINST.SCHRAUBE	TORNILLO REG.	
56	900.120.071	1	CRANK	MANIVELLE	MANOVELLA	KURBEL	MANIVELA	
57	900.104.082	1	WASHER	RONDELLE	RONDELLA	ZWISCHENSCHLEIBE	ARANDELA	
58	900.108.011	1	PIN	CHEVILLE	SPINA	DORN	CLAVIJA	
59	900.103.109	1	NUT	ECROU	DADO	MUTTER	TUERCA	

# VFI-2

## Frame

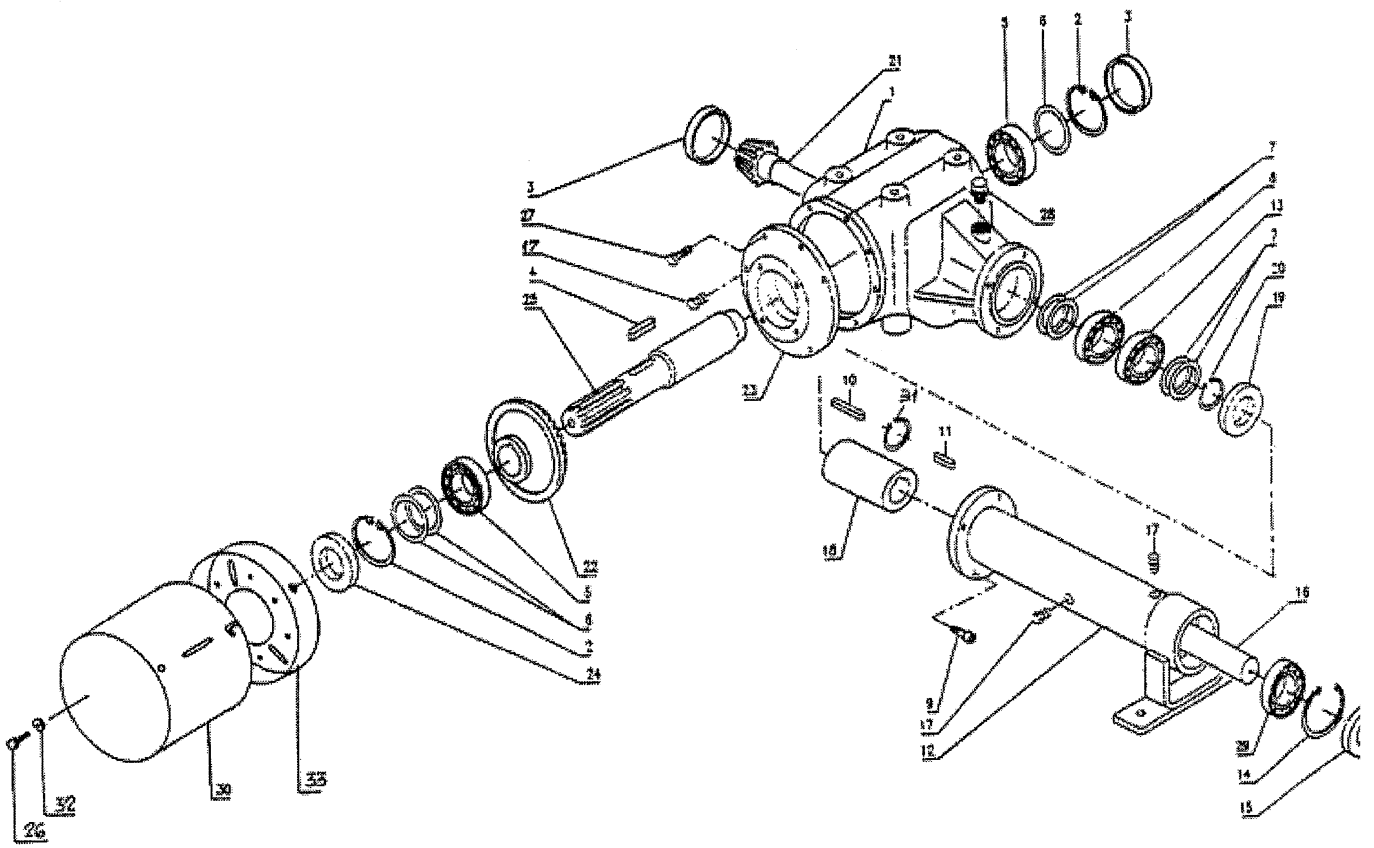


REF	CODE	QTY	ENGLISH	FRANCAIS	ITALIANO	DEUTSCH	ESPAÑOL	NOTE
1	900.142.260	1	FRAME	CHASSIS	TELAIO	RAHMEN	BASTIDOR	120
1	900.142.261	1	FRAME	CHASSIS	TELAIO	RAHMEN	BASTIDOR	140
1	900.142.262	1	FRAME	CHASSIS	TELAIO	RAHMEN	BASTIDOR	160
1	900.142.263	1	FRAME	CHASSIS	TELAIO	RAHMEN	BASTIDOR	180
1	900.142.264	1	FRAME	CHASSIS	TELAIO	RAHMEN	BASTIDOR	200
1	900.142.265	1	FRAME	CHASSIS	TELAIO	RAHMEN	BASTIDOR	220
2	900.261.007	1	SKID	PATIN	SLITTA	KUFE	CORREDERA	
3	900.261.008	1	SKID	PATIN	SLITTA	KUFE	CORREDERA	
4	900.114.100	1	SHIELD	CAPOT	COFANO	HAUBE	CARCASA	120
4	900.114.101	1	SHIELD	CAPOT	COFANO	HAUBE	CARCASA	140
4	900.114.102	1	SHIELD	CAPOT	COFANO	HAUBE	CARCASA	160
4	900.114.103	1	SHIELD	CAPOT	COFANO	HAUBE	CARCASA	180
4	900.114.104	1	SHIELD	CAPOT	COFANO	HAUBE	CARCASA	200
4	900.114.105	1	SHIELD	CAPOT	COFANO	HAUBE	CARCASA	220
5	900.102.204	3	SCREW	VIS	VITE	SCHRAUBE	TORNILLO	
6	900.103.018	3	NUT	ECROU	DADO	MUTTER	TUERCA	
7	900.240.228	-	ROD	TIGE	ASTA	STANGE	VARILLA	
8	900.161.001	1	PIN	CHEVILLE	SPINA	DORN	CLAVIJA	120
8	900.161.002	1	PIN	CHEVILLE	SPINA	DORN	CLAVIJA	140
8	900.161.003	1	PIN	CHEVILLE	SPINA	DORN	CLAVIJA	160
8	900.161.004	1	PIN	CHEVILLE	SPINA	DORN	CLAVIJA	180
8	900.161.005	1	PIN	CHEVILLE	SPINA	DORN	CLAVIJA	200
8	900.161.006	1	PIN	CHEVILLE	SPINA	DORN	CLAVIJA	220

REF	CODE	QTY	ENGLISH	FRANÇAIS	ITALIANO	DEUTSCH	ESPAÑOL	NOTE
9	900.108.005	1	SPLIT PIN	GOUPILLE	COPIGLIA	ARRETIERUNG	PASADOR	
10	900.103.021	19	NUT	ECROU	DADO	MUTTER	TUERCA	
11	900.104.044	12	WASHER	RONDELLE	RONDELLA	ZWISCHENSCHLEIBE	ARANDELA	
12	900.102.255	4	SCREW	VIS	VITE	SCHRAUBE	TORNILLO	120-140
12	900.102.222	4	SCREW	VIS	VITE	SCHRAUBE	TORNILLO	160-220
13	900.104.010	2	WASHER	RONDELLE	RONDELLA	ZWISCHENSCHLEIBE	ARANDELA	
14	900.103.050	4	NUT	ECROU	DADO	MUTTER	TUERCA	
15	900.251.014	1	SCRAPER	RACLEUR	RASCHIARULLO	WALZENSCHABER	RASCARODILLO	120
15	900.251.015	1	SCRAPER	RACLEUR	RASCHIARULLO	WALZENSCHABER	RASCARODILLO	140
15	900.251.016	1	SCRAPER	RACLEUR	RASCHIARULLO	WALZENSCHABER	RASCARODILLO	160
15	900.251.017	1	SCRAPER	RACLEUR	RASCHIARULLO	WALZENSCHABER	RASCARODILLO	180
15	900.251.018	1	SCRAPER	RACLEUR	RASCHIARULLO	WALZENSCHABER	RASCARODILLO	200
15	900.251.041	1	SCRAPER	RACLEUR	RASCHIARULLO	WALZENSCHABER	RASCARODILLO	220
16	900.105.007	2	GREASE NIPPLE	GRAISSEUR	INGRASSATORE	SCHMIERNIPPEL	ENGRASADOR	
17	900.102.100	4	SCREW	VIS	VITE	SCHRAUBE	TORNILLO	120-140
17	900.102.096	4	SCREW	VIS	VITE	SCHRAUBE	TORNILLO	160-220
18	900.100.082	2	SUPPORT	SUPPORT	SUPPORTO	STUETZE	SOPORTE	120-140
18	900.100.030	2	SUPPORT	SUPPORT	SUPPORTO	STUETZE	SOPORTE	160-220
19	900.103.018	4	NUT	ECROU	DADO	MUTTER	TUERCA	120-140
19	900.103.021	4	NUT	ECROU	DADO	MUTTER	TUERCA	160-220
20	900.104.045	4	WASHER	RONDELLE	RONDELLA	ZWISCHENSCHLEIBE	ARANDELA	120-140
20	900.104.044	4	WASHER	RONDELLE	RONDELLA	ZWISCHENSCHLEIBE	ARANDELA	160-220
21	900.240.122.0	1	COVER	CARTER	CARTER	GEHAEUSE	CARTER	
22	900.102.124	4	SCREW	VIS	VITE	SCHRAUBE	TORNILLO	
23	900.104.057	4	WASHER	RONDELLE	RONDELLA	ZWISCHENSCHLEIBE	ARANDELA	
24	900.103.020	4	NUT	ECROU	DADO	MUTTER	TUERCA	
25	900.103.019	8	NUT	ECROU	DADO	MUTTER	TUERCA	
26	900.104.046	10	WASHER	RONDELLE	RONDELLA	ZWISCHENSCHLEIBE	ARANDELA	
27	900.102.098	6	SCREW	VIS	VITE	SCHRAUBE	TORNILLO	
28	900.238.063	-	FLAP	AILETTE	ALETTA	SCHUTZLAMELLE	ALETA	
29	900.238.064	-	FLAP	AILETTE	ALETTA	SCHUTZLAMELLE	ALETA	
30	900.240.116	1	ROLLER	ROULEAU	RULLO	WALZE	RODILLO	120
30	900.251.050	1	ROLLER	ROULEAU	RULLO	WALZE	RODILLO	140
30	900.251.027	1	ROLLER	ROULEAU	RULLO	WALZE	RODILLO	160
30	900.240.118	1	ROLLER	ROULEAU	RULLO	WALZE	RODILLO	180
30	900.251.051	1	ROLLER	ROULEAU	RULLO	WALZE	RODILLO	200
30	900.251.052	1	ROLLER	ROULEAU	RULLO	WALZE	RODILLO	220
31	900.102.298	1	SCREW	VIS	VITE	SCHRAUBE	TORNILLO	
32	900.102.018	4	SCREW	VIS	VITE	SCHRAUBE	TORNILLO	
33	900.240.109	1	SUPPORT	SUPPORT	SUPPORTO	STUETZE	SOPORTE	
34	900.240.112	1	ROD	TIGE	ASTA	STANGE	VARILLA	120
34	900.251.053	1	ROD	TIGE	ASTA	STANGE	VARILLA	140
34	900.251.028	1	ROD	TIGE	ASTA	STANGE	VARILLA	160
34	900.240.114	1	ROD	TIGE	ASTA	STANGE	VARILLA	180
34	900.251.054	1	ROD	TIGE	ASTA	STANGE	VARILLA	200
34	900.251.055	1	ROD	TIGE	ASTA	STANGE	VARILLA	220
35	900.251.112	1	HITCH	ATTELAGE	ATTACCO	ANBAU	ENGANCHE	
36	900.150.002	2	SUPPORT	SUPPORT	SUPPORTO	STUETZE	SOPORTE	
37	900.116.028	1	PIN	TOURILLON	PERNO	STIFT	PERNO	
38	900.108.006	3	SPLIT PIN	GOUPILLE	COPIGLIA	ARRETIERUNG	PASADOR	
39	900.240.244	2	BAR	BARRE	BARRA	STANGE	BARRA	
40	900.102.027	6	SCREW	VIS	VITE	SCHRAUBE	TORNILLO	
41	900.251.111	2	ARM	BRAS	BRACCIO	ARM	BRAZO	
42	900.103.106	4	NUT	ECROU	DADO	MUTTER	TUERCA	
43	900.102.105	4	SCREW	VIS	VITE	SCHRAUBE	TORNILLO	
44	900.116.033	2	PIN	TOURILLON	PERNO	STIFT	PERNO	
45	900.102.096	8	SCREW	VIS	VITE	SCHRAUBE	TORNILLO	
46	900.251.110	1	MINI TRAILER	CHARIOT	CARRELLO	FAHRGESTELL	REMOLQUE	
47	900.240.239	4	BUSH	COQUILLE	BOCCOLA	BUCHSE	CASQUILLO	
48	900.106.033	4	CIRCLIP	SERFLEX	SEEGER	SEEGER	SEEGER	
49	900.120.066.0	1	CYLINDER	VERIN	CILINDRO	ZYLINDER	CILINDRO	
50	900.237.013	2	PIPE	TUBE	TUBO	ROHR	TUBO	
51	900.103.023	1	NUT	ECROU	DADO	MUTTER	TUERCA	
52	900.104.043	1	WASHER	RONDELLE	RONDELLA	ZWISCHENSCHLEIBE	ARANDELA	
53	900.104.044	1	WASHER	RONDELLE	RONDELLA	ZWISCHENSCHLEIBE	ARANDELA	
54	900.102.272	1	SCREW	VIS	VITE	SCHRAUBE	TORNILLO	

# VFM-2 VFI-2

## Gearbox



REF	CODE	QTY	ENGLISH	FRANÇAIS	ITALIANO	DEUTSCH	ESPAÑOL	NOTE
1	900.240.250	1	CASE	BOITE	SCATOLA	KISTE	CAJA	
2	900.106.011	2	CIRCLIP	SERFLEX	SEEGER	SEEGER	SEEGER	
3	900.240.253	2	LID	COUVERCLE	COPERCHIO	DECKEL	TAPA	
4	900.105.029	1	KEY	CLAVETTE	CHIAVETTA	KEIL	CHAVETA	
5	900.100.033	2	BEARING	ROULEMENT	CUSCINETTO	KUGELLAGER	COJINETE	
6	900.107.066	2	SHIM	EPAISSEUR	SPESSORE	STAERKE	ESPESOR	
7	900.107.048	2	SHIM	EPAISSEUR	SPESSORE	STAERKE	ESPESOR	
8	900.100.037	1	BEARING	ROULEMENT	CUSCINETTO	KUGELLAGER	COJINETE	
9	900.102.206	4	SCREW	VIS	VITE	SCHRAUBE	TORNILLO	
10	900.105.044	1	KEY	CLAVETTE	CHIAVETTA	KEIL	CHAVETA	
11	900.105.005	1	KEY	CLAVETTE	CHIAVETTA	KEIL	CHAVETA	
12	900.240.013	1	TUBE	TUBE	CANNOTTO	ROHR	TUBO	
13	900.100.008	1	BEARING	ROULEMENT	CUSCINETTO	KUGELLAGER	COJINETE	
14	900.106.005	1	CIRCLIP	SERFLEX	SEEGER	SEEGER	SEEGER	
15	900.101.076	1	OIL SEAL	PARE-HUILE	PARAOLIO	SIMMERRING	PARA-ACEITE	
16	900.240.064	1	SHAFT	ARBRE	ALBERO	WELLE	EJE	
17	900.102.079	3	PLUG	BOUCHON	TAPPO	DECKEL	TAPON	
18	900.240.255	1	BUSH	COQUILLE	BOCCOLA	BUCHSE	CASQUILLO	
19	900.101.009	1	OIL SEAL	PARE-HUILE	PARAOLIO	SIMMERRING	PARA-ACEITE	
20	900.106.013	1	CIRCLIP	SERFLEX	SEEGER	SEEGER	SEEGER	
21	900.240.254	1	PINION	PIGNON	PIGNONE	RITZEL	PINON	
22	900.240.251	1	CROWN	COURONNE	CORONA	TELLERRAD	CORONA	
23	900.240.252	1	FLANGE	FLASQUE	FLANGIA	FLANSCH	BRIDA	
24	900.101.066	1	OIL SEAL	PARE-HUILE	PARAOLIO	SIMMERRING	PARA-ACEITE	
25	900.240.260	1	SHAFT	ARBRE	ALBERO	WELLE	EJE	
26	900.102.256	2	SCREW	VIS	VITE	SCHRAUBE	TORNILLO	
27	900.102.011	8	SCREW	VIS	VITE	SCHRAUBE	TORNILLO	
28	900.102.236	1	PLUG	BOUCHON	TAPPO	DECKEL	TAPON	
29	900.100.016	1	BEARING	ROULEMENT	CUSCINETTO	KUGELLAGER	COJINETE	
30	900.117.072	1	GUARD	PROTECTION	PROTEZIONE	SCHUTZ	PROTECCION	
31	900.106.026	1	CIRCLIP	SERFLEX	SEEGER	SEEGER	SEEGER	
32	900.104.057	2	WASHER	RONDELLE	RONDELLA	ZWISCHENSCHLEIBE	ARANDELA	
33	900.117.070	1	PROT. HOLDER	DISQUE	FONDELLO	ZWSCHUTZHALTER	DISCO	



REF	CODE	QTY	ENGLISH	FRANÇAIS	ITALIANO	DEUTSCH	ESPAÑOL	NOTE
1	900.100.093	2	SUPPORT	SUPPORT	SUPPORTO	STUETZE	SOPORTE	120-140
1	900.100.088	2	SUPPORT	SUPPORT	SUPPORTO	STUETZE	SOPORTE	160-180
1	900.100.098	2	SUPPORT	SUPPORT	SUPPORTO	STUETZE	SOPORTE	200-220
2	900.240.127	2	COUNTER-FLANGE	CONTRE-FLASQUE	CONTROFLANGIA	GEGENFLANSCH	CONTRA-BRIDA	120-140
2	900.240.128	2	COUNTER-FLANGE	CONTRE-FLASQUE	CONTROFLANGIA	GEGENFLANSCH	CONTRA-BRIDA	160-180
2	900.251.070	2	COUNTER-FLANGE	CONTRE-FLASQUE	CONTROFLANGIA	GEGENFLANSCH	CONTRA-BRIDA	200-220
3	900.240.123	1	ROTOR	ROTOR	ROTORE	ROTOR	ROTOR	120
3	900.251.046	1	ROTOR	ROTOR	ROTORE	ROTOR	ROTOR	140
3	900.251.047	1	ROTOR	ROTOR	ROTORE	ROTOR	ROTOR	160
3	900.240.125	1	ROTOR	ROTOR	ROTORE	ROTOR	ROTOR	180
3	900.251.048	1	ROTOR	ROTOR	ROTORE	ROTOR	ROTOR	200
3	900.251.049	1	ROTOR	ROTOR	ROTORE	ROTOR	ROTOR	220
4	900.103.019	-	NUT	ECROU	DADO	MUTTER	TUERCA	
5	900.234.050	-	KNIFE	COUTEAU	COLTELLO	MESSER	CUCHILLA	
6	900.240.061	-	U-BOLT	MANILLE	CAVALLOTTO	U-BOLZEN	SOPORTE	
7	900.102.252	-	SCREW	VIS	VITE	SCHRAUBE	TORNILLO	
8	900.102.021	8	SCREW	VIS	VITE	SCHRAUBE	TORNILLO	120-180
8	900.102.029	8	SCREW	VIS	VITE	SCHRAUBE	TORNILLO	200-220
9	900.238.087	1	PULLEY	POULIE	PULEGGIA	REIMENSCHLEIBE	POLEA	
10	900.251.030	1	CLAMPING	BLOCAGE	CALETTATORE	KLEMMHUELSE	ENSAMBLADOR	120-140
10	900.238.091	1	CLAMPING	BLOCAGE	CALETTATORE	KLEMMHUELSE	ENSAMBLADOR	160-220
11	900.241.114	3	BELT	COURROIE	CINGHIA	RIEMEN	CINTA	
12	900.238.091	1	CLAMPING	BLOCAGE	CALETTATORE	KLEMMHUELSE	ENSAMBLADOR	
13	900.238.083	1	PULLEY	POULIE	PULEGGIA	REIMENSCHLEIBE	POLEA	
14	900.104.010	8	WASHER	RONDELLE	RONDELLA	ZWISCHENSCHLEIBE	ARANDELA	120-180
14	900.104.021	8	WASHER	RONDELLE	RONDELLA	ZWISCHENSCHLEIBE	ARANDELA	200-220
15	900.240.060	-	KNIFE	COUTEAU	COLTELLO	MESSER	CUCHILLA	
16	900.251.068	1	ROTOR	ROTOR	ROTORE	ROTOR	ROTOR	120
16	900.251.069	1	ROTOR	ROTOR	ROTORE	ROTOR	ROTOR	140
16	900.251.063	1	ROTOR	ROTOR	ROTORE	ROTOR	ROTOR	160
16	900.251.064	1	ROTOR	ROTOR	ROTORE	ROTOR	ROTOR	180
16	900.251.065	1	ROTOR	ROTOR	ROTORE	ROTOR	ROTOR	200
16	900.251.066	1	ROTOR	ROTOR	ROTORE	ROTOR	ROTOR	220
17	900.239.085	-	HAMMER KNIFE	MASSE MOULE	MAZZA	HAMMER	MARTILLO	
18	900.102.117	-	SCREW	VIS	VITE	SCHRAUBE	TORNILLO	
19	900.103.023	-	NUT	ECROU	DADO	MUTTER	TUERCA	
20	900.240.086	-	KNIFE	COUTEAU	COLTELLO	MESSER	CUCHILLA	
21	900.239.091	-	KNIFE	COUTEAU	COLTELLO	MESSER	CUCHILLA	
22	900.240.087	-	SPACER	ENTRETOISE	DISTANZIALE	ABSTANDSRING	DISTANCIADOR	

# LIMITED WARRANTY POLICY



SOVEMA S.p.A., Manufacturer of quality machinery, guarantees new Sovema machinery from the time of delivery to the original purchaser to be free from defects in material and workmanship if properly set up and operated in accordance with recommendations set forth in SOVEMA's operator manual. SOVEMA's liability for any defect of accepted goods shall be limited to replacing them, or as SOVEMA shall elect.

The original purchaser will qualify for the SOVEMA warranty only after they have completed the warranty card in full and forwarded it to SOVEMA S.p.A. Italy or any SOVEMA branch.

SOVEMA's obligation shall terminate 12 (twelve) months after the date of purchase of the product by the original purchaser. This warranty cannot be assigned or transferred to anyone unless SOVEMA's consent in writing has first been obtained. All warranty claims must be forwarded to SOVEMA S.p.A. Italy or a SOVEMA branch within 8 (eight) days after occurrence.

The original purchaser will be responsible for and bear costs of:

- A) Normal maintenance such as greasing, maintenance of oil levels, minor adjustments, etc.
- B) Transportation of any kind of, any SOVEMA product to and from the place where warranty work is performed.

This warranty shall not apply to any machine which has been repaired or altered in any way outside the SOVEMA factory which affects its stability or reliability, nor which has been subject to misuse, negligence or accident, nor to any machine that has not been operated in accordance with SOVEMA's printed instructions, or operated beyond the company recommended capacity as per machine.

This warranty shall not be applicable to items which are subject to the warranties of their respective manufacturers. Such items would include but would not be limited to clutches, universal joints, knives, hydraulic components, bearings, tires, belts and other trade accessories.

This warranty shall not be applicable to items defined as normal wearing items. Such items would include but would not be limited to belts, discs, knives, tines stone guards, tires, slip clutches, pitman shaft, swath sticks, blades or tine holders.

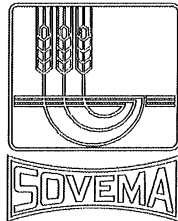
The judgement of SOVEMA S.p.A. in all cases of claims under this warranty shall be final and conclusive and the original purchaser agrees to accept its decisions about all questions as to defects and/or to the exchange of any part or parts.

No Agent, Employee or Representative of SOVEMA has any authority to bind SOVEMA to any affirmation, representation or warranty, concerning its machinery excepts as specifically set forth.

SOVEMA shall not be liable for special or consequential damages of any kind caused by any SOVEMA product.



SOVEMA S.p.A.  
 Via Olmo, 6-8-10  
 41010 Gaggio di Piano (MO)  
 Italy



Telephone: 059 93 85 85  
 Fax : 059 93 85 12  
 E-mail : sovema@sovema.com  
 Web site: www.sovema.com

## WARRANTY REGISTRATION

This warranty will become valid only if this form is completed and signed by both the Purchaser and the Dealer and is returned within 8 days of purchase date! **IF NOT WARRANTY IS INVALID.**

### TO FILL OUT

- ❖ *TYPE OF IMPLEMENT* : \_\_\_\_\_
- ❖ *IMPLEMENT SERIAL NUMBER* : \_\_\_\_\_
- ❖ *DATE OF PURCHASE* : \_\_\_\_\_

<b>DEALER: I HEREBY CERTIFY THAT</b>	<b>PURCHASER: I HEREBY ACCEPT</b>
<ul style="list-style-type: none"> <li>The machine has been correctly assembled in accordance with the manufacturers instructions.</li> <li>All nuts and bolts, oil level and grease have been checked.</li> <li>All safety guards and warning stickers have been placed on machine.</li> <li>PTO has been matched to tractor and greased.</li> <li>All other pre-delivery checks have been completed as per operators manual.</li> <li>Purchaser was given operators manual and instructed in safe and correct usage of machine and on limitation of warranty.</li> <li>Machine was tested and operates correctly.</li> </ul>	<ul style="list-style-type: none"> <li>That the machine is correctly assembled.</li> <li>Receipt of the operators manual which I have read and have clearly understood..</li> <li>To have a clear understanding of the warranty limitations.</li> <li>To have a clear understanding of the correct and safe operation of the machine.</li> <li>That the machine need regular maintenance as instructions in operators manual.</li> <li>To have clear understanding on the capacity of this machine and made aware of its limitations.</li> </ul>

<div style="text-align: center;">(address)</div> <hr/> <hr/> <hr/> <div style="display: flex; justify-content: space-between;"> <span>Date:</span> <span>Signature:</span> </div>	<div style="text-align: center;">(address)</div> <hr/> <hr/> <hr/> <div style="display: flex; justify-content: space-between;"> <span>Date:</span> <span>Signature:</span> </div>
---	---

**COPY TO DELIVER TO: SOVEMA**



SOVEMA S.p.A.  
 Via Olmo, 6-8-10  
 41010 Gaggio di Piano (MO)  
 Italy



Telephone: 059 93 85 85  
 Fax : 059 93 85 12  
 E-mail : sovema@sovema.com  
 Web site: www.sovema.com

## WARRANTY REGISTRATION

This warranty will become valid only if this form is completed and signed by both the Purchaser and the Dealer and is returned within 8 days of purchase date! **IF NOT WARRANTY IS INVALID.**

### TO FILL OUT

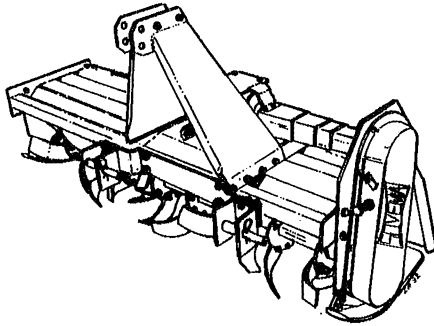
- ❖ **TYPE OF IMPLEMENT** : \_\_\_\_\_
- ❖ **IMPLEMENT SERIAL NUMBER** : \_\_\_\_\_
- ❖ **DATE OF PURCHASE** : \_\_\_\_\_

<p><b>DEALER: I HEREBY CERTIFY THAT</b></p> <ul style="list-style-type: none"> <li>The machine has been correctly assembled in accordance with the manufacturers instructions.</li> <li>All nuts and bolts, oil level and grease have been checked.</li> <li>All safety guards and warning stickers have been placed on machine.</li> <li>PTO has been matched to tractor and greased.</li> <li>All other pre-delivery checks have been completed as per operators manual.</li> <li>Purchaser was given operators manual and instructed in safe and correct usage of machine and on limitation of warranty.</li> <li>Machine was tested and operates correctly.</li> </ul>	<p><b>PURCHASER: I HEREBY ACCEPT</b></p> <ul style="list-style-type: none"> <li>That the machine is correctly assembled.</li> <li>Receipt of the operators manual which I have read and have clearly understood..</li> <li>To have a clear understanding of the warranty limitations.</li> <li>To have a clear understanding of the correct and safe operation of the machine.</li> <li>That the machine need regular maintenance as instructions in operators manual.</li> <li>To have clear understanding on the capacity of this machine and made aware of its limitations.</li> </ul>
--	---

<p style="text-align: center;">(address)</p> <p><b>DEALER</b> _____</p> <p>_____</p> <p>_____</p> <p>Date: _____ Signature: _____</p>	<p style="text-align: center;">(address)</p> <p><b>PURCHASER</b> _____</p> <p>_____</p> <p>_____</p> <p>Date: _____ Signature: _____</p>
---	--

**PURCHASER COPY**

# SOVEMA Product Line

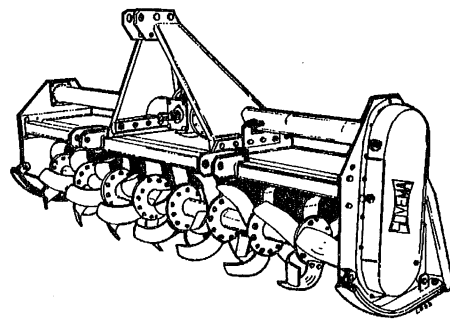


## SIDE SHIFT ROTARY TILLERS

- 15 different models;
- For tractors from 12 to 70 HP
- Working width from 80 to 200 cm.

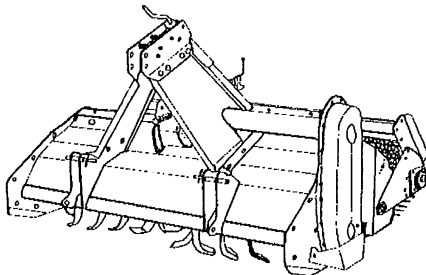
## FIXED ROTARY TILLERS

- Over 45 different models;
- For tractors from 15 to 130 HP
- Working width from 80 to 300 cm.



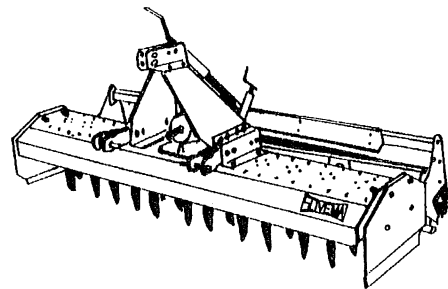
## STONE BURRIERS

- 6 different models;
- For tractors from 35 to 90 HP
- Working width from 100 to 200 cm.



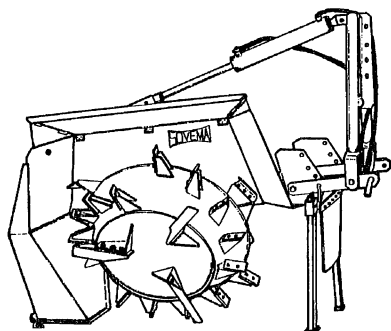
## ROTARY HARROWS

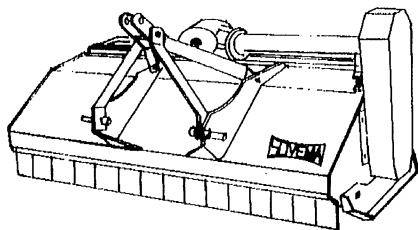
- 13 different models;
- For tractors from 25 to 150 HP
- Working width from 110 to 500 cm.



## ROTARY DITCHERS

- 10 different models;
- For tractors from 40 to 130 HP
- Working depth from 45 to 110 cm.



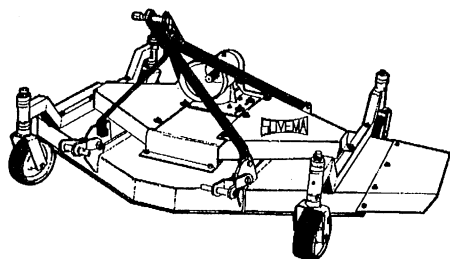
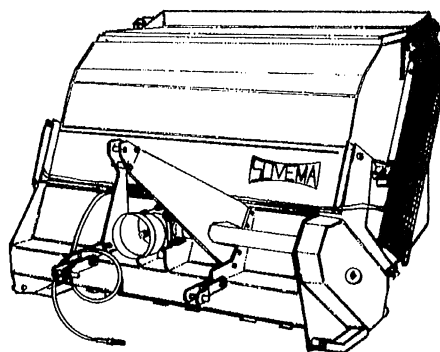


### FLAIL MOWERS - SHREDDERS

- 35 different models;
- For tractors from 15 to 120 HP
- Working width from 100 to 470 cm.

### MOWERS COLLECTOR

- 6 different models;
- For tractors from 30 to 60 HP
- Working width from 120 to 180 cm.
- Available with high discharge and low discharge

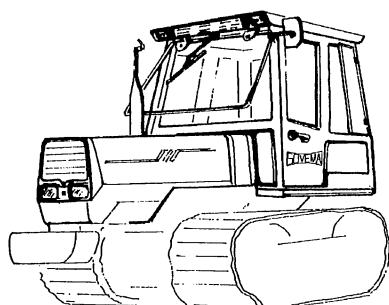
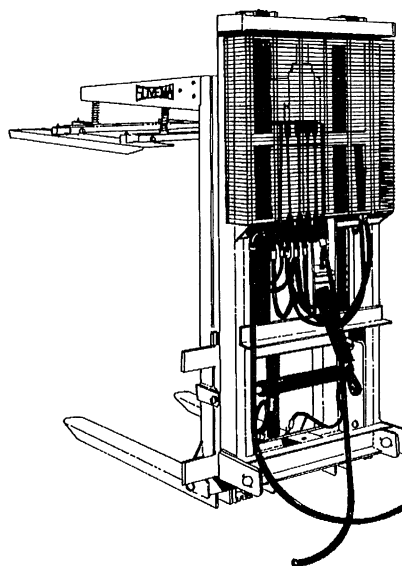


### FINISHING MOWERS

- 14 different models;
- For tractors from 15 to 70 HP
- Working width from 100 to 300 cm.

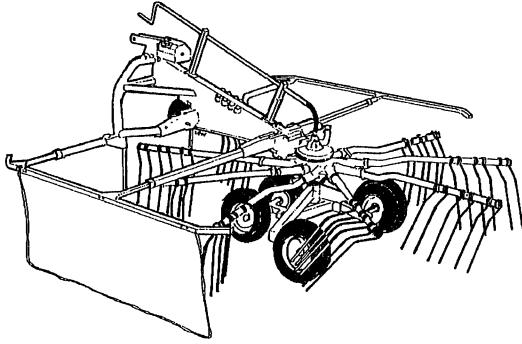
### HYDRAULIC FORK-LIFTS

- 11 different models;
- For tractors up to 60 HP
- Lifting capacity from 1.300 Kg to 2.000 Kg.



### TRACTOR CABS

- Over twenty models of cabs for eleven manufacturers of tractors;
- For tractors with wheels or crawlers;
- All models available with heating and/or air conditioned.

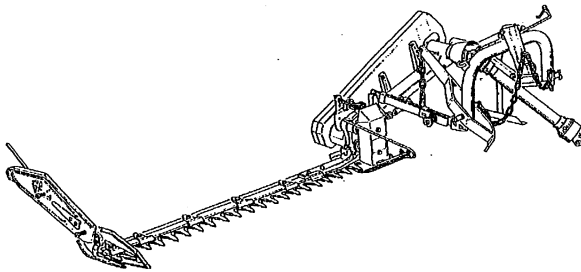
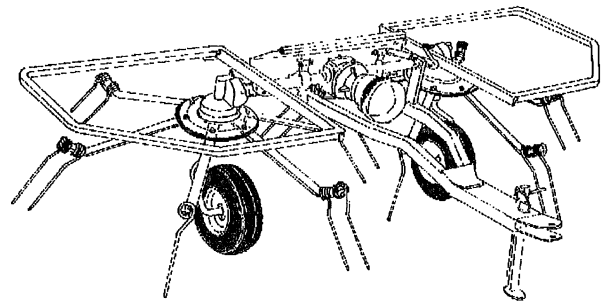


### **ROTARY RAKE**

- 4 different models
- For tractors from 30 to 70 HP
- Working width from 340 to 695 cm.

### **HAY TEDDERS**

- 6 different models (2, 4, 6 rotors)
- For tractors from 10 to 40 HP
- Working width from 310 to 730 cm.



### **SICKLE BAR MOWER**

- 3 different models.
- For tractors from 10 to 15 HP.

### **FINGER WHEELS**

- 8 different models (8-20 stars)
- For tractors from 30 to 80 HP
- Working width from 7.35 to 12.50 m.

