

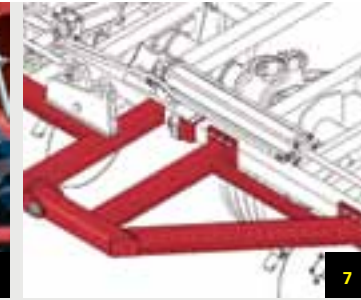
# 3600 SERIES BLADE PLOW

*Cut Costs And Enhance Yields*

Tillage is still the low-cost option for killing weeds in fallow ground or prior to planting ... particularly when you can cover up to 55 feet in each pass, while leaving up to 95 percent of the crop residue on the surface. The use of a Sunflower 3600 Blade Plow as a fallow maintenance tool is not only cost effective, compared to chemical fallow or burndown, but it's often easier to schedule, too, since tillage isn't dependent on as many weather variables. Plus, tillage offers additional benefits, like fracturing surface compaction, improving water/air infiltration and creating a better environment for seed germination and root growth.

Available in five-, six-, seven-, nine- and 11-section models, the 3600 flexes to follow field contours, yet it can be easily leveled via swivel linkages between rockshafts, eliminating the need to remove bolts and linkages.

**Sunflower - The Ultimate Answer**



- 1. OFFSET LEVER SYSTEM** - The 5-point linkage between frame sections has been replaced with a simple offset lever system that has reduced wear points by 60%. This new system requires less maintenance, less parts replacement and helps produce consistent performance from the blade plow.
- 2. UHMW HINGE BUSHING** - UHMW hinge flanges totally eliminates daily greasing, protects against "tear out" of hinges and stops risk of hinge "freeze-up". The UHMW flange also eliminates metal-to-metal wear between frame connections, cushions high stress hinge areas and quiets fold operation.
- 3. ADJUSTABLE SWIVEL LINKAGES** - Swivel linkages between rockshafts simplify frame leveling by eliminating the need to remove bolts and linkages. Adjustable linkages allow an operator to fine-tune the plow to maximize results and lower the drafting requirement.
- 4. OVERHEAD HITCH** - Unique overhead hitch and spanner beams produce positive down pressure to the frames. This design also moves the pulling point from the center of the plow to the outer edges of the right and left center frames to help counter "buckling" and the "roll-over" effect common to tillage tools.
- 5. UHMW CLAD ROCKSHAFTS** - Eliminates greasing and metal-to-metal wear. No more re-adjusting of frames, no more greasing and less chance of down-time from parts failure.

- 6. HEAVY-DUTY BLADE SUPPORT STANDARDS** - Blade support standards have been increased 11% in thickness to prolong wear and provide additional strength to guard against breakage when encountering foreign objects found during field operation. These supports are still of a slim design which promotes lower drafting.
- 7. ENHANCED FRAME** - A third hinge has been added to 9 and 11 section models to enhance frame life by distributing bearing load over a 50% larger area. This addition decreases the amount of "roll-over" associated with ground engaging farm tools. The third hinge is also protected with UHMW polymer.
- 8. UHMW TECHNOLOGY** - Has also been applied to the coulters pivot area. No more greasing, no more metal-to-metal wear, just less cost and less mess. UHMW really is an operator's friend.

### 3600 SERIES BLADE PLOW SPECS

MODEL NUMBER	WIDTH OF CUT (mm)	NUMBER OF BLADES	NUMBER OF TIRES	TRANSPORT WIDTH (m)	EST. WEIGHT (kg)
<b>3662-30</b>	30' 6" (9.3)	6	7 - 11L, 12 ply	15' 6" (4.7)	7,787 lbs. (3532)
<b>3672-35</b>	35' 6" (10.8)	7	8 - 11L, 12 ply	20' 6" (6.3)	8,742 lbs. (3965)
<b>3692-45</b>	45' 6" (7)	9	6 - 11L, 12 ply, 15 x 8 6 - 11L, 12 ply, 15 x 10	22' 9" (7)	13,733 lbs. (6229)
<b>3612-55</b>	55' 6" (7.7)	11	8 - 11L, 12 ply, 15 x 8 6 - 11L, 12 ply, 15 x 10	25' 3" (7.7)	17,803 lbs. (8075)

Note: Above specifications may vary slightly based on tires, hydraulic system, or other possible variances. We are continually striving to improve our machines; therefore, these specifications are subject to change without notice.

## TREADER WHEELS

(Available on 3000, 3300 and 3600 Series Models)

*Sunflower offers you a choice in treader wheels the others can't*

Sunflower offers both Conservation and Standard Treader Wheels to match your farming operation. Hard-surfaced teeth are available on the Conservation Treader Wheel.

Sunflower's rolling treader is built from a durable one-piece pipe and only utilizes individual wheels outside of the bearing hangers. Tooth replacement can be made one at a time instead of replacing the whole individual wheel. Gangs are equipped with a nut at each end to facilitate any future bearing replacement. Sunflower's solid treader gang design stays tight and does not allow dust and moisture to contaminate and rust the interior gang shaft.

Sunflower - The Ultimate Answer



**1. AGGRESSIVE DIGGING ACTION** - This unique wheel features high-carbon half-oval teeth (8 per wheel) curved and twisted for superior soil-residue action, working and leveling the soil behind various tillage tools. The tooth's unique digging action inverts weeds, exposing their roots on the surface. A mixture of small clods and residue are deposited on the surface while finer soil particles settle below, safeguarding your fields from wind and water erosion. The high-carbon teeth are specially stress-relieved for ductility and longer field life.

**2. RESIDUE-CONSERVING ACTION** - The Conservation Treader Wheel features a flat tooth design (7 per wheel) that is curved only and cut at a 45° angle on the soil engaging end. This less aggressive tooth destroys minimal amounts of residue, but maintains a good weed kill during tillage operations. Ideal for use in arid conditions where residue compliance is difficult to achieve. The wheel's larger diameter, featuring less teeth with no special twist are the key ingredients in this unit's ability to meet conservation standards. Constructed of high-carbon steel, each tooth is specially stress-relieved for longer field life.

**3. OVERLAPPING SECTIONS** - Overlapping sections provide thorough tillage action with no skips or missed ground. You'll get the full benefit of the harrow's aggressive weed kill across the entire width of your chisel or sweep plow.

**4. SPRING-LOADED** - Adjustable spring-loaded mounting brackets relieve strain on the plow frame during folding and transport.

**5. ANGLE ADJUSTMENT** - With basic tools and a few moments of time, you can adjust the treader section from 15 degrees to 20 degrees. Conservation treaders should be run at 20 degrees only.

**6. RUGGED SUPPORT** - Each gang is equipped with a 1 1/8" square shaft and triple sealed greaseable bearings. The formed bracket protects the zerk from rocks, weed wrap and premature wear.