



# MAGNUM™ ROWTRAC™ NEW 2015 PREVIEW



**CASE IH**  
AGRICULTURE





# BETTER FLOTATION. IMPROVED MANEUVERING. MORE FLEXIBILITY.



That's three reasons why the new Magnum Rowtrac tractor from Case IH could be the perfect fit for the way you farm. If you farm in a region where soil conditions can make short planting and harvesting windows even shorter, Magnum Rowtrac can help you start sooner, work longer and enjoy better yield potential.

## **PUTTING ROW CROP POWER WHERE YOU NEED IT MOST**

Where traditional tires simply aren't enough, Magnum Rowtrac outperforms two-track options by providing better handling and ride, less rutting and berming, and full power on the ground in curves and turns. Here's a fixed-frame row crop machine that turns like a traditional tractor, yet floats like a track.



# MAGNUM ROWTRAC DESIGN.

BUILT TO WORK HARD, GO EASY ON THE GROUND.



Magnum Rowtrac tractors are designed to strike the perfect balance, with tire options that fit your row width and soil type and an oscillating rear-track design that keeps the power on the ground through the tightest turns. These tractors keep four points of ground contact, which reduces surface pressure and means less weight transfer from front to rear than two-track systems. And it offers maneuverability and handling comparable to a wheeled tractor.

## ADVANCED TIRE TECHNOLOGY

Out in front, Magnum Rowtrac features advanced high-tech tires that work with lower air pressure – about 40 percent reduced PSI compared to traditional MFD tractor tires. That means a longer footprint on the ground for reduced compaction. Multiple tire options make it easy to match rear track width to fit most any row crop practice.

## THE TRACK DESIGN THAT CHANGED AN INDUSTRY

This exclusive rear track oscillates and pivots to maintain a flat footprint that keeps the power on the ground. This design produces traction that is unaffected by hitch or drawbar load, plus improved ride over terraces and other uneven terrain.

## CUSTOMIZED TO FIT YOUR ROWS

Whether you plant rice or cotton, beets or potatoes, soybeans or corn, the Magnum Rowtrac undercarriage design adapts to fit the way you farm. A wide range of axle spacing options gives you the flexibility you need.





### AVAILABLE ROW SPACING & TRACK WIDTHS

#### MAGNUM ROWTRAC 340 & 380

Available Row Spacing:  
20", 22", 30", 34", 36", 38" & 40"

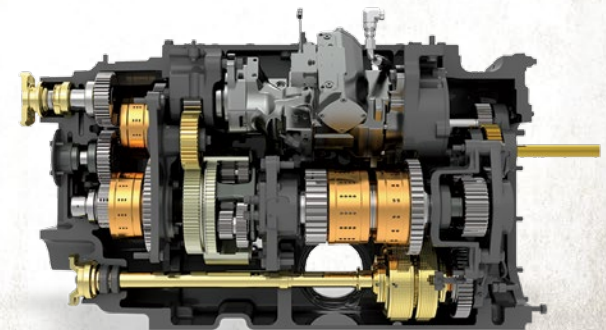
Available Track Widths:  
16", 18", 24" & 30"

### COMFORT AND CONTROL

When weather windows are tight, operators tend to spend longer hours in the cab. The Magnum cab is designed to keep operators comfortable and productive for every one of those hours, with a smooth ride and superior suspension. And the simple, intuitive controls quickly turn every operator into an expert.

### A MAJOR SHIFT IN PERFORMANCE

For applications that demand it, the unique Case IH four-range CVT is designed to maximize available power and increase mechanical efficiency. A hardworking Case IH Powershift transmission is also available.





# BUILT TO FIT THE WAY YOU FARM

No one tractor solution can fit every grower's needs. But if you're a row crop producer in a region with challenging soil types, putting tracks on the ground could be your best option for in-field power.

Select the track width and row spacing that fits the way you farm. Specify the horsepower and transmission that works best for you. And enjoy longer planting windows, better tractive power, reduced compaction and rutting, and a cab environment that makes long days comfortable and productive. Magnum Rowtrac may be the choice that offers the best return on your tractor investment... and the best yield potential at season's end.



## HERE'S WHY GROWERS TURN TO ROWTRAC

When you compare maneuverability and handling, Magnum Rowtrac clearly takes a turn for the better. Where two-track designs may scuff the field surface on turns, create ruts and berms, and pull into soft spots, the Magnum Rowtrac design maintains a larger, more balanced footprint as it nimbly works through irregular ground and headland turns. That reduced soil disturbance means more productivity from more of the field.



MODEL	MAGNUM ROWTRAC 340	MAGNUM ROWTRAC 380
Engine	6-cylinder 8.7-L Turbo Diesel, SCR-only Tier 4 B/Final	6-cylinder 8.7-L Turbo Diesel, SCR-only Tier 4 B/Final
Horsepower @ 2,000 rpm	340	380
PTO Horsepower	290	315
Transmission	Powershift or CVT	CVT
Available Row Spacing	20", 22", 30", 34", 36", 38" & 40"	20", 22", 30", 34", 36", 38" & 40"
Available Track Widths	16", 18", 24" & 30"	16", 18", 24" & 30"



SAFETY NEVER HURTS!<sup>™</sup> Always read the Operator's Manual before operating any equipment. Inspect equipment before using it, and be sure it is operating properly. Follow the product safety signs, and use any safety features provided. CNH Industrial America LLC reserves the right to make improvements in design and changes in specifications at any time without notice and without incurring any obligation to install them on units previously sold. Specifications, descriptions and illustrative material herein are as accurate as known at time of publication, but are subject to change without notice. Availability of some models and equipment builds varies according to the country in which the equipment is used.

©2014 CNH Industrial America LLC. All rights reserved. Case IH is a trademark registered in the United States and many other countries, owned by or licensed to CNH Industrial N.V., its subsidiaries or affiliates. Printed in U.S.A. [www.caseih.com](http://www.caseih.com) Form #CIH08051401