

Wheel loaders  
Telescopic wheel loaders



**WEIDEMANN**  
*designed for work*



**The powerful wheel loaders.**

Available either with load arm or telescopic arm.



## An essential part of your business.

The Weidemann wheel loaders and telescopic wheel loaders make every work operation even more productive. In addition to a high level of functionality and working comfort as well as excellent safety standards, they feature a great deal of strength and endurance. Weidemann offers you this environmentally sound series with engine technology that always meets the latest emission standards.

# Wheel loaders – optionally available with load arm or telescopic arm.

Impressive lifting capacity and modern engine technology.

A feel-good working area.  
More on pages 14 – 17

Efficient change of attachments.  
More on page 7

A high degree of serviceability with the laterally tiltable cab.  
More on page 12

The powder coating provides excellent corrosion resistance.  
More on page 20.



Economic efficiency through modern technology.  
More on pages 8 – 9

Road capability with articulated pendulum joint.  
More on page 6



2080LP

3080LP

4080LP

2080LPT

3080LPT

4080LPT

2080

3080

4080 Basic Line

2080T

3080T

4080T Basic Line

4080

5080

9080

4080T

5080T

9580T



## Emission standard and engine technology.

With Weidemann, you are well-equipped for the future!

In addition to the integration of an exhaust after-treatment in the form of a particulate filter, the adaptation of the machines to Stage V also requires an additional optimisation of the cooling capacity. This is achieved through a cooled exhaust gas recirculation. A positive side effect is that these new components not only contribute to reducing emissions, but also the performance of the machines can be greatly improved and fuel consumption can be reduced by approximately 5% –convincing arguments!

The applied diesel particulate filter (DPF), which filters out a great deal of harmful soot particles, is automatically regenerated at the corresponding temperature by burning out the deposited particles during operation – without restrictions for man or machine.



## The Weidemann diagnosis and analysis system.

Hot on the trail for errors with wedias.



The new engine technology involves new systems for maintenance and analysis. The sometimes drawn-out search for hidden failures is a thing of the past. With help from the Weidemann diagnostic and analysis system wedias there are many functions, such as the driving function, the 3rd and 4th the 3rd and 4th control circuits, the engine data and the electrical functions can now be quickly and unambiguously evaluated. Error messages in the display immediately notify the operator of possible failures and make a rapid response possible.

Thanks to the exact designation of the error number, the dealer can come to the machine prepared and with the right spare parts. The subsequent error analysis by trained dealers simplifies further diagnosis and troubleshooting. This saves time, money and nerves.

## EquipCare.

Simply be better prepared.

A modern fleet management is a good basis for the successful and economically advantageous application of work machines within your operation. With our telematics solution, Weidemann EquipCare, you have an eye on your machine(s) all the time and know their exact status, availability and use.

A comfortable and site-independent application is guaranteed with the EquipCare Manager (PC, laptop) and the EquipCare app (mobile end device).

Weidemann machines can already be equipped with the EquipCare module ex works so that it isn't necessary to install it later. You receive your access data promptly prior to delivery of your machine. Should you however, wish to equip your existing machine with EquipCare, our distribution partners will be glad to retrofit it for you.



## Secure Warranty Extension.

Drive with security.

With Weidemann Secure, our provision for warranty term extensions, you can protect your machine investment again and receive your all-round, carefree package directly from the manufacturer. In doing so, you can select from two attractive packages:

- **Economy Secure:** with the Economy package, you will receive a fair entry price for the comprehensive protection of your machine with a low excess.

- **Premium Secure:** with the Premium Secure, all warranty incidents are easily controllable without an excess.

You can either decide upon a Secure package when buying the machine or conclude a warranty extension flexibly some time after purchase. Subsequent conclusion can be implemented before a max. 500 operating hours or a max. 6 months after machine delivery - depending on which is reached first.



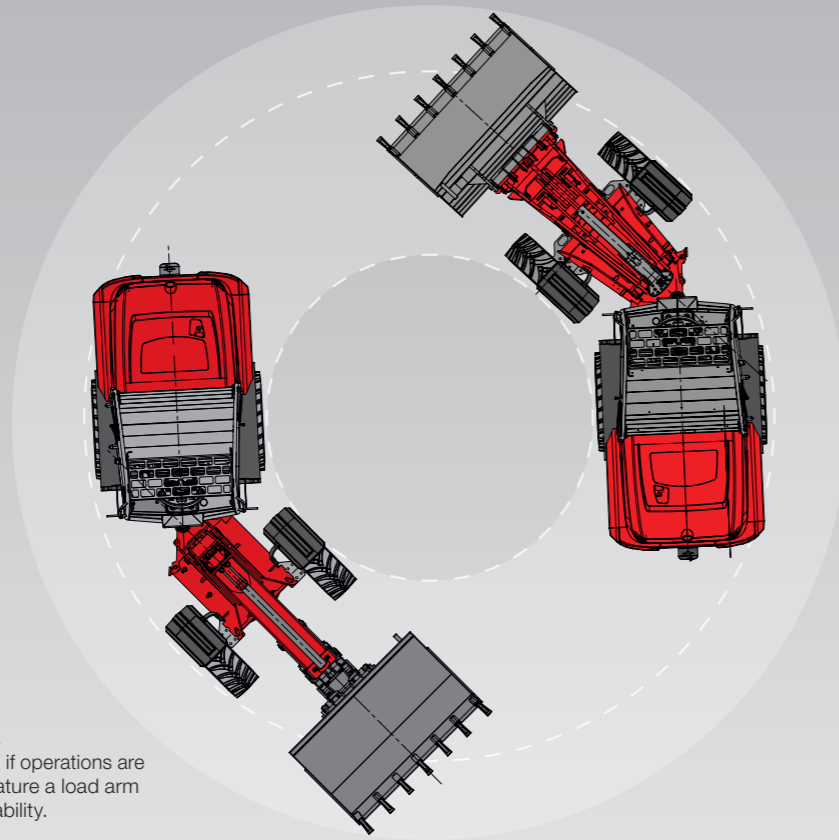
EquipCare provides you with the following benefits:

- Precise information on your machine's operating data (e.g. operating hours, engine load, driving speed, routes, etc.).
- State of the machine (e.g. engine temperatures, cooling and hydraulic, etc.).
- Machine's fill levels (e.g. fuel, hydraulic oil, coolant, etc.).
- Improved service management with concrete planning of notifications for maintenance, disruptions and repairs.
- Generate reduced downtime with remote diagnostics, because the service partner already has a range of information without ever visiting the machine on-site.
- Simple development of warranty claims because the cause of damage can be easily identified.
- Theft protection for the machine through geo-fencing and the complete provision of location in realtime. This provides better conditions with some insurers due to the tracking option.
- Increasing the run-time and service life your machine thanks to the proactive communication.
- Higher resale value of used machines.
- Possible compatibility with apps from other manufactures: With this, you can develop fleet management for your whole fleet.



## The basic Weidemann virtues.

Agile, multi-functional, and suitable for all terrains.



### Large machines with a high level of maneuverability.

Even big machines sometimes encounter small spaces (e.g. if operations are to be done in stables and storage facilities). Our models feature a load arm and telescopic arm with small radii and optimal maneuverability.



### A multi-tool for various applications.

Regardless of whether you are feeding, mucking out, sweeping, stacking or transporting: thanks to the various attachments, your Weidemann wheel loader becomes a universal multi-tool. You can find more about this on pages 22-25.



### The backbone of the Weidemann design: The legendary articulated pendulum joint.

Weidemann wheel loaders always have all four wheels on the ground – in any situation, and on any terrain. Because the front and rear carriage can oscillate independently of each other, they react sensitively to every unevenness. The benefits: you always drive with maximum traction and no power is wasted.



### Variety in the outfitting.

The Weidemann wheel loader and telescopic wheel loaders possess wide-ranging and robust standard equipment. Over and above that, depending upon the intended purpose and preferences, you can individually configure the engine, drive, operator's cab or hydraulics. Your Weidemann is always custom-made. A selection of the standard equipment and options available can be found on pages 30-33 and at [www.weidemann.de](http://www.weidemann.de).



### Efficient change of attachments.

Thanks to the hydraulic quickhitch system, attachments can be readily exchanged. Your Weidemann machine is therefore always ready for use. This increases productivity and economic efficiency.

## Economic efficiency that's worth it.

Efficient work operation thanks to reliable technology.



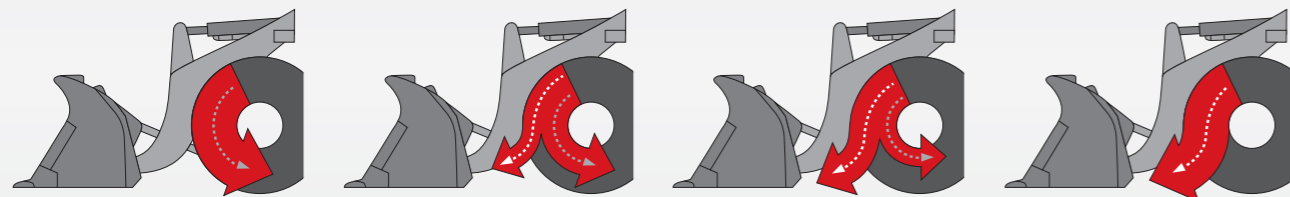
### Work economically.

Economic efficiency is currently one of the most important features that wheel loaders should bring to your business. The faster and more time-saving a wheel loader can maneuver, the higher its performance. For the wheel loaders of Weidemann, economic efficiency means technically sophisticated solutions such as large lift height, strong ripping forces, high stability, and an efficient quickhitch system for attachments.



### Connectable 100% differential lock.

The connectable 100% differential lock provides maximum traction and thrusting force if necessary. It also keeps the tire wear low (switched off during normal operation). This increases the efficiency of your machine!



### The brake-inch pedal.

In Weidemann machines, the hydrostatic all-wheel drive is combined with the brake pedal. Through the "inching", this enables creeping until standstill. With the brake-inch pedal partially depressed it is possible to travel at millimeter precision at crawling speed at full

engine speed while quickly lifting. If the pedal is pushed further, the machine will stop. The advantage of the brake-inch pedal is the optimal distribution of the engine output. Stalling of the engine is also not possible.



### Machine with trailer.

Thanks to the trailer coupling, all Weidemann wheel and telescopic wheel loaders can pull a trailer with a total weight between 5 and 18 t – depending on the model. In Germany, the machine must be approved as

a self-propelled work machine with trailer coupling or as a tractor. To find out about international regulations, please contact your local Weidemann distributor.



### Considerable lifting power and ripping forces through an over-sized hydraulic cylinder.

On all Hoftracs® and wheel loaders, Weidemann always includes two strong lift cylinders. This ensures that the load distribution is always optimally changed over to the load arm. The entire loader unit also gains stability.



Telescopic wheel loaders and telehandlers feature powerful lift cylinders. The size of the hydraulic cylinder is always adapted to the size of the respective machine. This is gentle on both machine and material.

## Choose your operator's compartment.

Smart solutions for all operating conditions.

### Wheel loaders and telescopic wheel loaders.

The Weidemann machines of the 2080 through 9080 are equipped with a cab (standard). The spacious cabs feature considerable freedom of movement. It also fulfils the current European Machine Directive (2006/42/EC) on ROPS and FOPS protection. Thanks to the complete glazing, the operator has an excellent overview of the attachments and the entire working area.



### Optimum ease of servicing.

The models of 90s series provide easily accessible service panels and the fenders are removable. This allows easy access to the engine, hydraulic system, and electronics. This facilitates inspection and maintenance of the machine. Even the engine hood can be opened upwards widely, thereby allowing for optimal access.

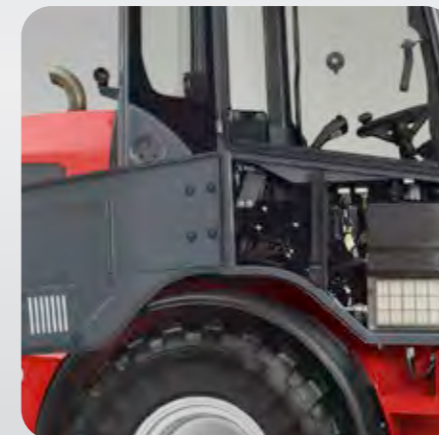


### The Weidemann LP models.

At Weidemann, LP stands for "Low Position". Thanks to the lower operator's standing and sitting position, the machine has a lower overall height. It can readily travel through narrow passages. It also allows the operator easy entry and shifts the centre of gravity towards the ground. The Weidemann LP models come standard with an operator's canopy, which meets the current European machine directive (2006/42/EC) for ROPS and FOPS protection. You can choose from various versions of the operator's canopy and cab. The LP construction is not available for: 5080, 5080T, 9080 and 9580T.

### Only at Weidemann: Laterally tiltable cab.

The models of the wheel loader and telescopic wheel loader series 2080 to 5080 are equipped with a tiltable cab. This allows easy access to the engine, hydraulic system, and electronics. This facilitates maintenance of the machine. The engine hood can also be opened upwards widely, thereby allowing for optimal access.



### Simple maintenance of the LP models.

For the LP models, the operator's compartment is not laterally tiltable. To allow access to the engine, hydraulic system and electronics, the machine is equipped with various access panels. The operator's seat can also be readily removed.

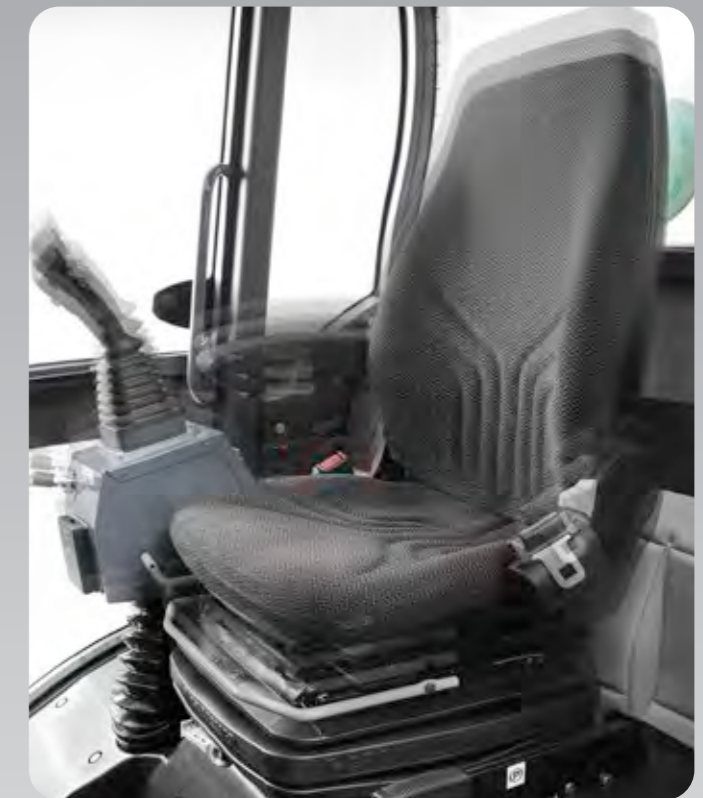
## High level of operating and driving comfort.

Optimal visibility and good working environment.



### Good all-round visibility and lighting.

The full-glazed cabin provides an excellent overview of the attachments, the immediate working area, and the entire machine surroundings. The lighting can also be adapted to various requirements (standard lighting, lighting as per StVZO, LED lighting and additional headlamps on the loader unit).



### Adjustable operator's seat.

The operator's seat is adjustable, ergonomically formed, and well cushioned. The joystick console including armrest forms a unit with the operator's seat, is adjustable and has springs (not in LP models). The optional air-cushioned comfort seat provides for fatigue-free work. The seats are heated for working in cold conditions.



### Ventilation as required.

The cabs feature large, wide-opening doors on both sides. The upper window can fold up completely and be locked. A gap ventilation is also possible.



### Comfortable working environment.

An excellent working environment thanks to an efficiently working heating and ventilation system featuring a blower, fresh air filter, and well-placed air nozzles. In warm temperatures, an air-conditioning system is recommended.



## A motivating working area.

Ergonomically arranged operating controls and simple handling.



### The joystick offers easy one-hand operation.

The joystick becomes an all-rounder and the machine's ease of use is increased even further. In addition to the functioning of the 3rd proportional control circuit activated on the joystick, the continuous operation of the 3rd control circuit can also be activated using the button toggle switch – also in both directions by moving the thumbwheel.

For the wheeled loaders, the function of the 4th control circuit in wheel loaders can similarly be operated proportionally via the joystick. For the telescopic wheel loaders, the telescoping is possible via the thumbwheel. The operating speed can thus be individually adjusted.

Both electrical functions can also be operated on the joystick in a detenting or latching manner. Both electric functions are independent, so that they can be individually configured by the operator.

### Hydraulic oil volume adjustment.

If necessary, the "jog dial" control element can be used to manually set the flow rate of the hydraulic oil. This is advantageous if the machine is operating a hydraulic attachment that does not require the full hydraulic performance of the machine. The operator can therefore work precisely and in a resource-saving manner with the machine and attachment. Moreover, the response behaviour of the auxiliary hydraulics can be configured.



### Adjustable steering wheel/steering column.

Thanks to the adjustable steering column or steering wheel, you can adjust the operator's cab to your physical dimensions. By adjusting the various operator's controls, you can create a completely ergonomic working area.



### Vibration-damped working area.

Vibrations and impacts are absorbed by the machine. Your body is protected, and you can also work longer in a much more relaxed and focused manner.



### The main functions always in sight.

With the digital display, you obtain an overview of your machine. In addition to standard displays like temperature, tank filling, or operating hours, active functions are also displayed in the cab, like activated electrical functions, the continuous operation of the 3rd control circuit, or the activated differential lock.

## New efficient transmission – Power Drive 370.

The innovative drive system Power Drive 370 is a variable hydrostatic transmission, which achieves higher tractive forces and travel speeds than the solutions developed until now, and that too retaining all the advantages of the previous drive systems in terms of compactness, energy efficiency and operator comfort. This drive is installed in 9080 and 9580T.

### Technical background.

An infinitely variable hydrostatic high-performance travel drive was realised with the help of an inclined-axis motor with a variable displacement volume of 370 cm<sup>3</sup> and a 45° wide-angle adjustment range.

The Power Drive 370 drive is also characterized by compact design. This was possible by combining the hydraulic motor and transmission in an extremely compact housing unit, which enables the transmission of driving power up to 130 kW. The implementation of such high driving performance with a classic hydrostatic- drive (1-engine design) is quite unique and has so far only been achieved with our new development.

In addition to the positive characteristics known for hydrostatic drives, such as simple reversing, precision control and controllability, inching and brake force support, the wide conversion range of 45° technology also allows the entire speed range from 0 to 40 km/h to be traversed without shifting gears.



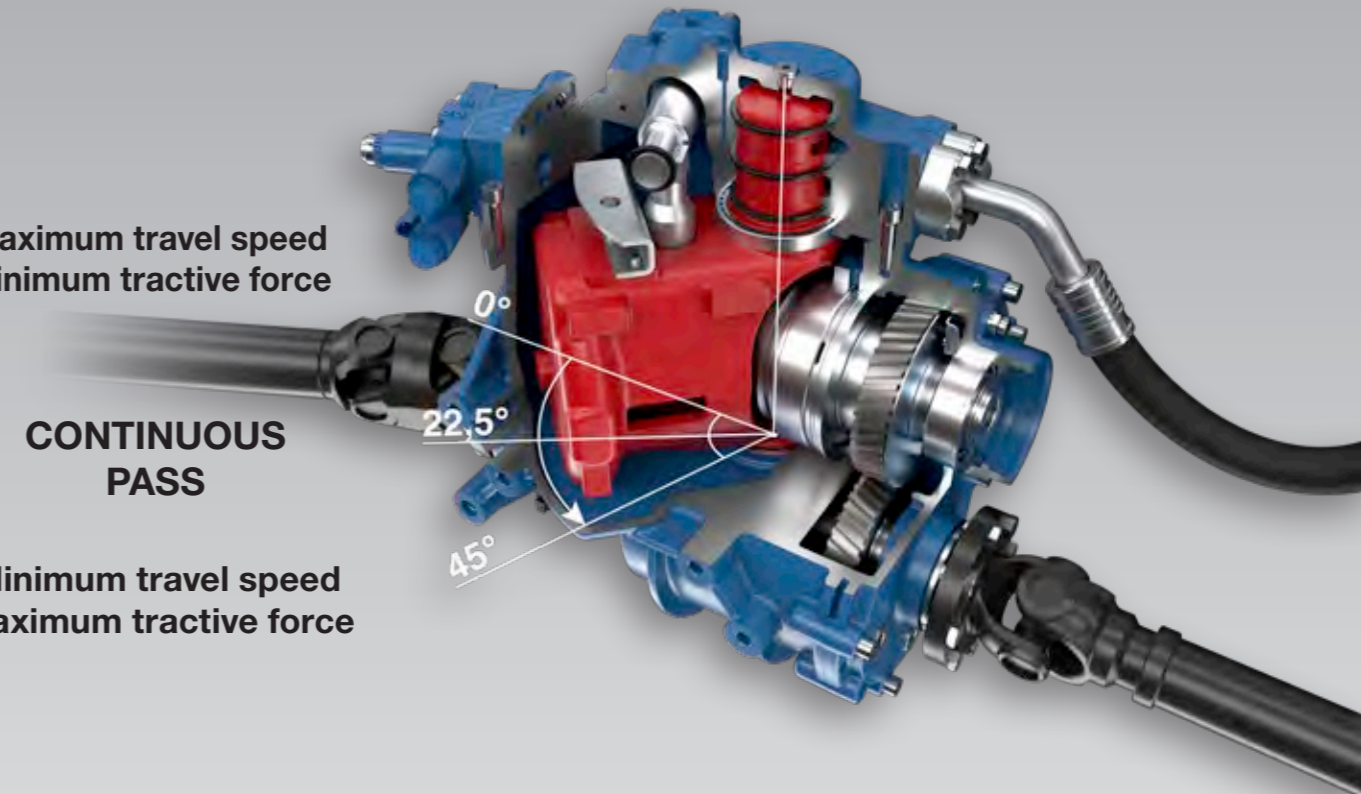
This offers a very high driving comfort for the end user, since neither tractive effort interruptions nor shift jerking occur. For the end user, this offers a comfortable, steady quality of driving and a harmonious noise development.

One more major advantage is the energy efficiency of the 1-engine system. Couplings and other switch elements can be completely dispensed with, due to the fact that no switching operation of a gear stage or a second hydraulic motor is necessary. Thus, no drag losses occur on open couplings or freely rotating hydraulic motors. In addition to efficiency advantages, this also offers positive effects in terms of robustness, service and costs of the whole drive.

Maximum travel speed  
Minimum tractive force

CONTINUOUS  
PASS

Minimum travel speed  
Maximum tractive force





## Our quality promise.

Weidemann offers true German-made quality.

At Weidemann, quality is not an empty promise. A true Weidemann comes from one of the most modern wheel and telehandler production facilities in Europe. The plant in Korbach guarantees a consistently high quality of our products. At Weidemann, quality begins early on because compliance with defined processes is taken seriously. Purchased parts supplied to production are continually monitored, tested, and optimised in co-operation with suppliers.

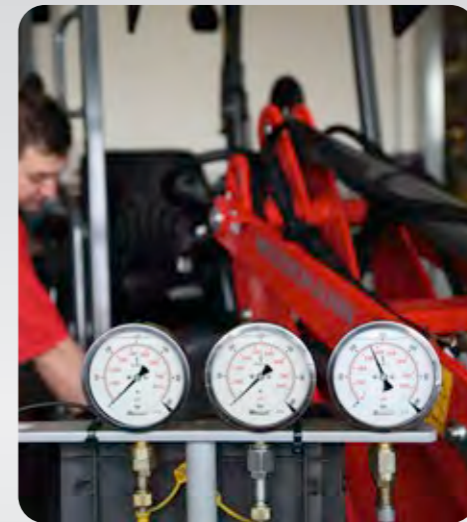
### Powder-coating.

The powder-coating is another key feature of the special quality standard at Weidemann. This guarantees optimum protection against corrosion. In comparison to conventional wet painting, powder-coating greatly extends the service life of the machine. It is also more efficient and environmentally friendly.



### Careful final inspection.

Every Weidemann that leaves our factory is subjected to a careful final inspection. This guarantees our customers a long service life and low operating costs from the onset. The Weidemann label means quality.



### DIN EN ISO 9001.

This standard is recognised internationally. With a certified quality system in accordance with international standard ISO 9001, Weidemann demonstrates that a focus on quality is reflected in all thoughts and actions within the company and that customers receive certified quality in all areas.



# Weidemann wheel loader.

Performance cannot be any more convincing.



# Your Weidemann telescopic wheel loader.

Unbeatable in daily application.

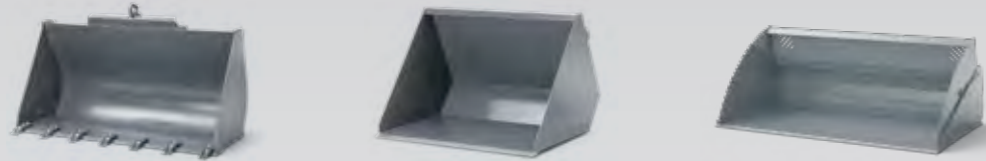


# The optimal attachment for every task.

Your machine becomes a multi-tool.

Only the right attachment makes our machines into true problem solvers for your respective work task. With the richly varied and well-thought-out product range, our machines become highly functional multi-tools that meet any application. You can see here a selection of attachments and activities, which can be easily completed with them.

## Material Handling



## Gripping



## Grab fork



## Stacking and Transporting



## Cleaning



## Mowing and mulching



## Trimming trees and hedges



## Winter services



## Feed handling



## Bales handling



## Stable work



## Silage handling



## Equestrian work



You can find all ex works attachments at: [www.weidemann.de](http://www.weidemann.de)

You can obtain more information from your Weidemann distributor.

# The matching options for your business.

Individual, need-based and economical.



**A separate 4th control circuit that is independently and individually operated (front and rear possible):**  
The machine is equipped with a dual-acting auxiliary control circuit.

**Advantage:**

- Allows the use of hydraulically activated attachments with several connections and functions (e.g. a snow blower).



**Speed increase to 30 or 40 km/h:**  
The machine is equipped with a speed of 30 or 40 km/h.

**Advantage:**

- Faster transposing of the machine is possible.
- Time savings and increased economic efficiency.



**Electrical connections (front and rear):**  
Connections for electrically operated additional functions of attachments (e.g. rotary sweeper with water-spraying equipment).

**Advantage:**

- This enables the operation of electrically-operated additional functions of attachments.
- The switch-over of additional functions of hydraulic attachments is possible.



**High Flow:**  
The machine is equipped with High-Flow high performance-hydraulics.

**Advantage:**

- Enables operation of front attachments, demanding a lot of oil (e.g. a snow blower).



**Hand-inching:**

With the low-speed control, very slow travel speeds can be achieved at a constant engine speed.

**Advantage:**

- When using attachments that, for example, are operated with a constant high rpm but simultaneously with a very low travel speed (e.g. a rotary sweeper), you do not have to constantly operate the foot inching pedal.



**Hydraulic connections in the rear:**

The machine is equipped with rear hydraulic connections (single-acting or dual-acting).

**Advantage:**

- The application areas of the machine increase, because hydraulic rear attachments or tipper-trailer can be operated.



**Fully automatic central lubrication unit:**

The duration of the lubrication process as well as the lubrication intervals can be set by the fully automatic central lubrication unit.

**Advantage:**

- Regular re-lubrication of all lubrication points increases the longevity and thus the service life of the machine.
- Time and cost savings through low maintenance effort.



**Pressureless return:**

The hydraulic oil flows in a separate line through the hydraulic filter back in the hydraulic oil tank.

**Advantage:**

- Attachments with their own hydraulic motor can guide the return oil without increased dynamic pressure back in the hydraulic oil tank.

# Your Weidemann wheel loader.

Individually designed and built as required.

With Weidemann, you are on the safe side – we offer you our wheel loaders already with good, comprehensive and heavy-duty standard equipment. With our different options, you can also assemble your machine in terms of drive, tires, hydraulics and the operator's cab so that it is completely customised to you, your business, and your work tasks.



2080LP



2080



3080LP



3080



4080LP



4080 Basic Line



4080



5080



9080

# Standard equipment and options.

	2080LP	2080	3080LP	3080	4080LP	4080 Basic Line	4080	5080	9080
<b>DRIVE SYSTEM</b>									
Hydrostatic drive via transfer gear and universal joint shaft	●	●	●	●	●	●	●	●	●
100% differential lock, electro-hydraulically connectable on front and rear axle	●	●	●	●	●	●	●	●	●
Travel speed 20 km/h	●	●	●	●	●	●	●	●	●
Speed increase to 28 km/h	○	○	-	-	-	-	-	-	-
Speed increase to 30 km/h	-	-	○	○	○	○	○	○	○
Speed increase to 40 km/h	-	-	-	-	-	-	○	○	○
Power Drive 370 transmission	-	-	-	-	-	-	-	-	○
<b>HYDRAULICS</b>									
Mechanically controlled joystick with travel direction switch and integrated touch button for differential lock	●	-	●	-	●	-	-	-	-
Hydraulically controlled joystick with travel direction switch and integrated touch button for differential lock	-	●	-	●	-	●	●	●	-
Electrically controlled joystick with travel direction switch and integrated touch button for differential lock	-	-	-	-	-	-	-	-	●
3. Front control circuit, mechanical	●	-	●	-	●	-	-	-	-
3. Front control circuit, electric, proportional	○	●	○	●	○	●	●	●	●
Work hydraulics of large pump (depending on model, between 58.5 l and 103 l)	○	○	○	○	○	○	-	-	-
4. Additional control circuit (incl. separate control valve, four-fold valve or electric, proportional, parallel)	○	○	○	○	○	○	○	○	○
3. or 4. Flow Sharing control circuit (100 l, 115 l)	-	-	-	-	-	-	○	○	-
High Flow single-acting (100 l, 115 l)	-	○	○	○	○	○	-	-	-
High Flow Load Sensing (150 l)	-	-	-	-	-	-	○	○	-
High flow – performance hydraulics double-acting (150 l / 180 l)	-	-	-	-	-	-	-	-	○
Unpressurized reverse travel in front/rear	○	○	○	○	○	○	○	○	○
Rear hydraulic connection double-acting proportional, 3 <sup>rd</sup> control circuit via reversing valve	○	○	○	○	○	○	○	○	○
Rear hydraulic connections double-acting, including separate control valve	-	○	○	○	○	○	○	○	○
Lowering brake valve (hose burst valves for lift and tipping cylinders)	○	○	○	○	○	○	○	○	○
Lifting arm damping	○	○	○	○	○	○	○	○	○
Hydraulic oil volume adjustment via jog dial	-	-	-	-	-	-	●	●	●
Pressure release hydraulic connections at load arm	-	-	-	-	-	-	●	●	●
<b>LOADER UNIT</b>									
Z-kinematics	-	-	●	●	●	●	●	●	-
P-Z linkage	●	●	-	-	-	-	-	-	-
P-kinematics	-	-	-	-	-	-	-	-	●
Automatic bucket return	-	-	-	-	-	-	-	-	●
<b>OPERATOR'S CAB</b>									
Operator's canopy incl. front and rear window, ROPS and FOPS tested	●	-	●	-	●	-	-	-	-
Cab with heating, ventilation, and windscreen wiper, ROPS and FOPS-tested	○	●	○	●	○	●	●	●	●
Work light mounted on the operator's cab (4 - 6)	●	●	●	●	●	●	●	●	●
LED work light mounted on the operator's cab (4 - 8)	○	○	○	○	○	○	○	○	○
Lighting equipment according to StVZO	○	●	○	●	○	●	●	●	●
Comfort seat with safety belt cushioned	●	●	●	●	●	●	●	●	●
Comfort seat with safety belt air-cushioned	○	○	○	○	○	○	○	○	○
Heated seat	○	○	○	○	○	○	○	○	○
Air-conditioning system (9080 with automatic air conditioning)	○	○	○	○	○	○	○	○	●
<b>OTHER</b>									
Fully automatic central lubrication unit	○	○	○	○	○	○	○	○	○
Hydraulic quickhitch system for attachments	●	●	●	●	●	●	●	●	●
Electrical connection front/rear	○	○	○	○	○	○	○	○	○
TÜV [Technical Inspection Association] certificate (addendum in vehicle documentation)	○	○	○	○	○	○	○	○	●

● Series ○ Option – Not possible

The illustration shows a selection of standard equipment and options. Detailed information on standard-equipment and options can be obtained from your Weidemann distributor. More information can be found at [www.weidemann.de](http://www.weidemann.de)

This brochure is for general product information. If you are interested, one of our distributors would be happy to send you an offer. The descriptions, illustrations and technical data are not binding and do not necessarily represent the standard design. We reserve the right to make changes. Despite the greatest care and diligence applied, we cannot rule out deviations from the images or measures, errors in calculation, misprints or omissions in this brochure. We therefore assume no liability for the accuracy and completeness of our information in this brochure.



# Your Weidemann telescopic wheel loader.

Aiming high with individual options.

With Weidemann, you are on the safe side – we offer you our telescopic wheel loaders already with good, comprehensive and heavy-duty standard- equipment. With our different options, you can also assemble your machine in terms of drive, tires, hydraulics and the operator's cab so that it is completely customised to you, your business, and your work tasks.



2080LPT



2080T



3080LPT



3080T



4080LPT



4080T Basic Line



4080T



5080T



9580T

# Standard equipment and options.

	2080LPT	2080T	3080LPT	3080T	4080LPT	4080T	4080T Basic Line	5080T	9580T
<b>DRIVE SYSTEM</b>									
Hydrostatic drive via transfer gear and universal joint shaft	●	●	●	●	●	●	●	●	●
100% differential lock, electro-hydraulically connectable on front and rear axle	●	●	●	●	●	●	●	●	●
Travel speed 20 km/h	●	●	●	●	●	●	●	●	●
Speed increase to 28 km/h	○	○	-	-	-	-	-	-	-
Speed increase to 30 km/h	-	-	○	○	○	○	○	○	○
Speed increase to 40 km/h	-	-	-	-	-	-	○	○	○
Power Drive 370 transmission	-	-	-	-	-	-	-	-	○
<b>HYDRAULICS</b>									
Mechanically controlled joystick with travel direction switch and integrated touch button for differential lock	●	-	●	-	●	-	-	-	-
Hydraulically controlled joystick with travel direction switch and integrated touch button for differential lock	-	●	-	●	-	●	●	●	-
Electrically controlled joystick with travel direction switch and integrated touch button for differential lock	-	-	-	-	-	-	-	-	●
3. Front control circuit, mechanical	●	-	●	-	●	-	-	-	-
3. Front control circuit, electric, proportional	○	●	○	●	○	●	●	●	●
Work hydraulics of large pump (depending on model, between 58.5 l and 103 l)	○	○	○	○	○	○	-	-	-
Reversing valve in front on 3 <sup>rd</sup> Control circuit (3 <sup>rd</sup> Control circuit with 4 connections)	○	○	○	○	○	○	○	○	○
3. Flow sharing control circuit (100 l, 115 l)	-	-	-	-	-	-	○	○	-
Flow Sharing Load Sensing (150 l)	-	-	-	-	-	-	○	○	-
High flow – performance hydraulics double-acting (150 l / 180 l)	-	-	-	-	-	-	-	-	○
Unpressurised return line, front	●	●	●	●	●	●	●	●	●
Unpressurised return line, rear	○	○	○	○	○	○	○	○	○
Rear hydraulic connection double-acting proportional, 3 <sup>rd</sup> control circuit via reversing valve	○	○	○	○	○	○	○	○	○
Rear hydraulic connections double-acting, including separate control valve	-	○	○	○	○	○	○	○	○
Lowering brake valve (hose burst valves for lift and tipping cylinders)	●	●	●	●	●	●	●	●	●
Lifting arm damping	○	○	○	○	○	○	○	○	○
Hydraulic oil volume adjustment via jog dial	-	-	-	-	-	-	●	●	●
Pressure release hydraulic connections at telescopic arm	-	-	-	-	-	-	●	●	●
<b>LOADER UNIT</b>									
Telescopic arm	●	●	●	●	●	●	●	●	●
Automatic bucket return	-	-	-	-	-	-	-	-	●
<b>OPERATOR'S CAB</b>									
Operator's canopy incl. front and rear window, ROPS and FOPS tested	●	-	●	-	●	-	-	-	-
Cab with heating, ventilation, and windscreen wiper, ROPS and FOPS-tested	○	●	○	●	○	●	●	●	●
Work light mounted on the operator's cab (4 - 6)	●	●	●	●	●	●	●	●	●
LED work light mounted on the operator's cab (4 - 8)	○	○	○	○	○	○	○	○	○
Lighting equipment according to StVZO	○	●	○	●	○	●	●	●	●
Comfort seat with safety belt cushioned	●	●	●	●	●	●	●	●	●
Comfort seat with safety belt air-cushioned	○	○	○	○	○	○	○	○	○
Heated seat	○	○	○	○	○	○	○	○	○
Air-conditioning system (9580T with automatic air conditioning)	○	○	○	○	○	○	○	○	●
<b>OTHER</b>									
Fully automatic central lubrication unit	○	○	○	○	○	○	○	○	○
Hydraulic quickhitch system for attachments	●	●	●	●	●	●	●	●	●
Electrical connection in front	●	●	●	●	●	●	●	●	●
Electrical connection in rear	○	○	○	○	○	○	○	○	○
TÜV [Technical Inspection Association] certificate (addendum in vehicle documentation)	○	○	○	○	○	○	○	○	●

● Series ○ Option - Not possible

The illustration shows a selection of standard equipment and options. Detailed information on standard equipment and options can be obtained from your Weidemann distributor. More information can be found at [www.weidemann.de](http://www.weidemann.de)

# Specifications of wheel loader

	2080LP	2080	3080LP	3080	4080LP	4080 Basic Line	4080	5080	9080
<b>ENGINE DATA</b>									
Engine manufacturer	Deutz	Deutz	Deutz	Deutz	Deutz	Deutz	Perkins	Perkins	Deutz
Type of motor	TD 2.9 L4 S5	TD 2.9 L4 S5	TD 2.9 L4 S5	TCD 2.9 L4 S5	TCD 2.9 L4 S5	TCD 2.9 L4 S5	904J-E36TA	904J-E36TA	TCD 3.6 S5
Cylinders	4	4	4	4	4	4	4	4	4
Max engine output kW	45	45	45	55.4	55.4	55.4	74.4	100	100
Max engine output HP	61	61	61	75	75	75	101.2	136	136
At max. speed rpm	2,300	2,300	2,300	2,300	2,300	2,300	2,200	2,200	2,300
Displacement cm <sup>3</sup>	2,900	2,900	2,900	2,900	2,900	2,900	3,621	3,621	3,621
Type of coolant	Water	Water	Water	Water/charge air	Water/charge air	Water / charge air	Water	Water	Water/charge air
Emissions standard level	V	V	V	V	V	V	V	V	V
Exhaust after treatment	DPF/DOC	DPF/DOC	DPF/DOC	DPF/DOC	DPF/DOC	DPF/DOC	DOC/DPF/SCR	DOC/DPF/SCR	DOC/DPF/SCR
<b>ENGINE DATA (OPTIONAL)</b>									
Engine manufacturer	Deutz	Deutz	Deutz	-	-	-	-	-	Deutz
Type of motor	TCD 2.9 L4 S5	TCD 2.9 L4 S5	TCD 2.9 L4 S5	-	-	-	-	-	TCD 4.1 S5
Cylinders	4	4	4	-	-	-	-	-	4
Max. engine output kW	55.4	55.4	55.4	-	-	-	-	-	115
Engine output max. HP	75	75	75	-	-	-	-	-	156
At max. speed rpm	2,300	2,300	2,300	-	-	-	-	-	2,300
Displacement cm <sup>3</sup>	2,900	2,900	2,900	-	-	-	-	-	4,038
Type of coolant	Water/charge air	Water/charge air	Water/charge air	-	-	-	-	-	Water/charge air
Emissions standard level	V	V	V	-	-	-	-	-	V
Exhaust after treatment	DPF/DOC	DPF/DOC	DPF/DOC	-	-	-	-	-	DOC/DPF/SCR
<b>ELECTRICAL SYSTEM</b>									
Operating voltage V	12	12	12	12	12	12	12	12	12
Battery Ah	100	100	100	100	100	100	135	135	185
Alternator A	95	95	85	85	85	85	85	85	120-150
<b>WEIGHTS</b>									
Operating weight (standard) kg	3,900	4,300	4,600	5,100	5,760	6,050	5,900	7,000	10,720
Tipping load with bucket – machine straight (according to ISO 14397) kg	2,898-3,028	3,719	3,043	3,213	3,270	3,270	3,674	4,762	5,290
Tipping load with bucket – machine pivoted (according to ISO 14397) kg	2,422-2,518	3,113	2,577	2,714	2,761	2,761	3,031	3,926	4,657
Tipping load with pallet fork – machine straight (according to ISO 14397) kg	2,578-2,679	3,170	2,546	2,715	3,035	3,035	3,344	4,254	4,624
Tipping load with pallet fork – machine pivoted (according to ISO 14397) kg	2,168-2,244	2,662	2,164	2,304	2,599	2,599	2,791	3,559	4,071
<b>VEHICLE DATA</b>									
Operator's cab (optional)	FSD (cab)	Cab	FSD (cab)	Cab	FSD (cab)	Cab	Cab	Cab	Cab
Axle (optional)	PA 1200	PA 1200	PA 1400 (PA 1422)	PA 1400 (PA 1422)	PA 1422	PA 1422	PA 1422	PA 1422/2	PA 1900
Travel speed (optional) km/h	0-20 (28)	0-20 (28)	0-20 (30)	0-20 (30)	0-20 (30)	0-20 (30)	0-20 (30/40)	0-20 (30/40)	0-20 (30/40)
Fuel tank capacity l	65	65	82	82	82	82	105	105	140
Hydraulic oil tank capacity l	50	50	66	66	66	66	95	95	125
<b>HYDRAULIC SYSTEM</b>									
Drive hydraulics – working pressure bar	450	450	450	450	445	445	455	455	480
Work hydraulics – discharge volume (optional) l/min	57.5 (74)	57,5 (74-115)	64 (74-115)	74 (83-115)	64 (74-115)	103 (115)	100 (115-150)	100 (115-150)	150 (180)
Work hydraulics – working pressure bar	210	210	210	220	210	210	210	210	250
<b>NOISE CHARACTERISTIC VALUES</b>									
Average sound power level LwA dB (A)	98.5-100.1	100.5	99.2	100.4	100.1	99.9	100.6-101.2	100.8	100.7
Guaranteed sound power level LwA dB (A)	101	101	101	101	101	101	103	103	102
Specified sound pressure level LpA dB (A)	77-85	78	80-85	78	79	79	74-76	75	70

FSD = Operator's canopy  
 DOC = Diesel oxidation catalyst  
 DPF = Diesel particle filter  
 SCR = Selective Catalytic Reduction

There may be short-term changes in the engines because of the constantly evolving emission standards. For current availabilities, you can contact your Weidemann distributor.

More information can be found at [www.weidemann.de](http://www.weidemann.de)

# Specifications of telescopic wheel loader.

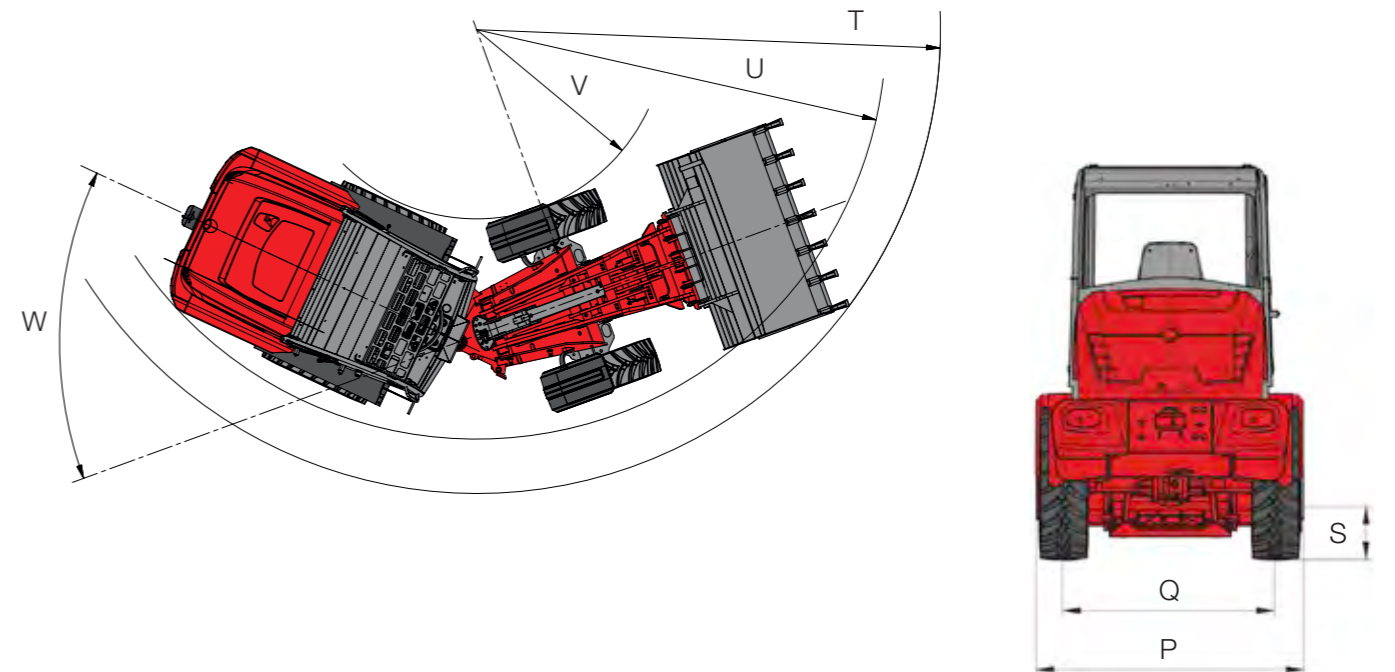
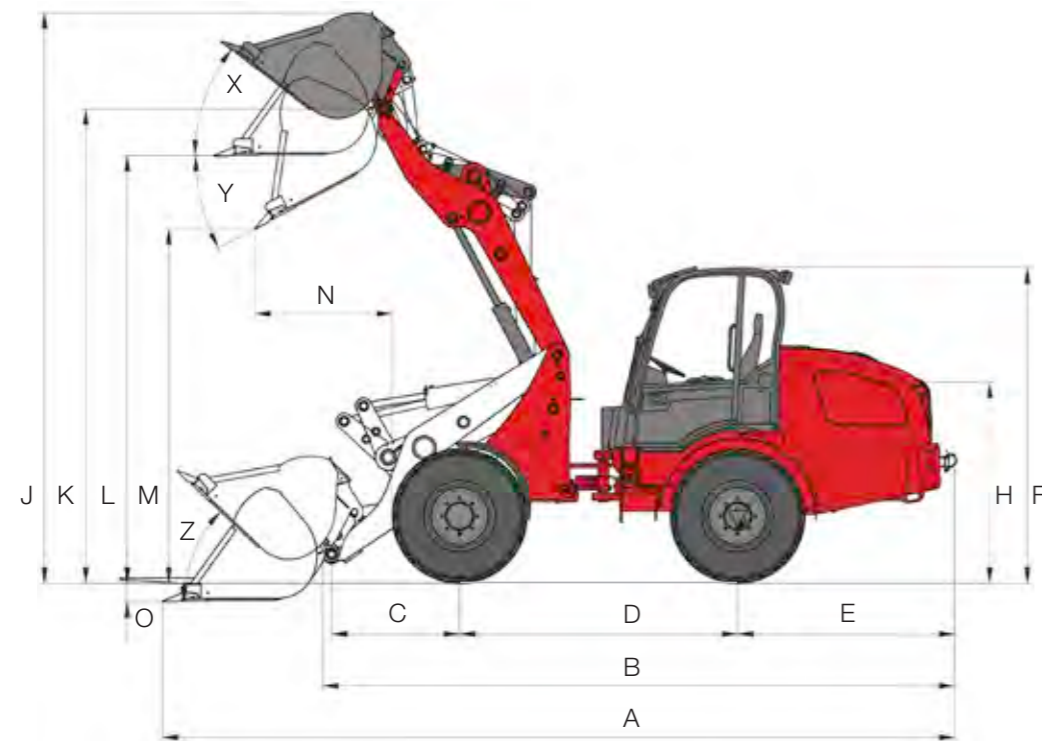
	2080LPT	2080T	3080LPT	3080T	4080LPT	4080T Basic Line	4080T	5080T	9580T
<b>ENGINE DATA</b>									
Engine manufacturer	Deutz	Deutz	Deutz	Deutz	Deutz	Deutz	Perkins	Perkins	Deutz
Type of motor	TD 2.9 L4 S5	TD 2.9 L4 S5	TD 2.9 L4 S5	TCD 2.9 L4 S5	TCD 2.9 L4 S5	TCD 2.9 L4 S5	904J-E36TA	904J-E36TA	TCD 3.6 S5
Cylinders	4	4	4	4	4	4	4	4	4
Max engine output kW	45	45	45	55.4	55.4	55.4	74.4	100	100
Max engine output HP	61	61	61	75	75	75	101.2	136	136
At max. speed rpm	2,300	2,300	2,300	2,300	2,300	2,300	2,200	2,200	2,300
Displacement cm <sup>3</sup>	2,900	2,900	2,900	2,900	2,900	2,900	3,621	3,621	3,621
Type of coolant	Water	Water	Water	Water/charge air	Water/charge air	Water / charge air	Water	Water	Water/charge air
Emissions standard level	V	V	V	V	V	V	V	V	V
Exhaust after treatment	DPF/DOC	DPF/DOC	DPF/DOC	DPF/DOC	DPF/DOC	DPF/DOC	DOC/DPF/SCR	DOC/DPF/SCR	DOC/DPF/SCR
<b>ENGINE DATA (OPTIONAL)</b>									
Engine manufacturer	Deutz	Deutz	Deutz	-	-	-	-	-	Deutz
Type of motor	TCD 2.9 L4 S5	TCD 2.9 L4 S5	TCD 2.9 L4 S5	-	-	-	-	-	TCD 4.1 S5
Cylinders	4	4	4	-	-	-	-	-	4
Max engine output kW	55.4	55.4	55.4	-	-	-	-	-	115
Engine output max. HP	75	75	75	-	-	-	-	-	156
At max speed rpm	2,300	2,300	2,300	-	-	-	-	-	2,300
Displacement cm <sup>3</sup>	2,900	2,900	2,900	-	-	-	-	-	4,038
Type of coolant	Water/charge air	Water/charge air	Water/charge air	-	-	-	-	-	Water/charge air
Emissions standard level	V	V	V	-	-	-	-	-	V
Exhaust after treatment	DPF/DOC	DPF/DOC	DPF/DOC	-	-	-	-	-	DOC/DPF/SCR
<b>ELECTRICAL SYSTEM</b>									
Operating voltage V	12	12	12	12	12	12	12	12	12
Battery Ah	100	100	100	100	100	100	135	135	185
Alternator A	95	95	85	85	85	85	85	85	120-150
<b>WEIGHTS</b>									
Operating weight (standard) kg	4,400	4,600	5,000	5,400	6,000	6,100	5,930	7,200	11,210
Tipping load with bucket – machine straight (according to ISO 14397) kg	2,437-2,556 (1,359-1,437)	2,714 (1,562)	2,435 (1,295)	2,815 (1,554)	3,363 (1,913)	3,363 (1,913)	3,291 (1,857)	4,365 (2,561)	6,594 (3,495)
Tipping load with bucket – machine pivoted (according to ISO 14397) kg	2,041-2,152 (1,139-1,219)	2,260 (1,295)	2,077 (1,082)	2,411 (1,300)	2,872 (1,604)	2,872 (1,604)	2,765 (1,541)	3,659 (2,133)	5,871 (3,112)
Tipping load with pallet fork – machine straight (according to ISO 14397) kg	2,177-2,266 (1,287-1,364)	2,383 (1,455)	2,229 (1,268)	2,570 (1,509)	3,055 (1,338)	3,055 (1,338)	3,110 (1,873)	4,103 (2,560)	5,775 (3,265)
Tipping load with pallet fork – machine pivoted (according to ISO 14397) kg	1,796-1,907 (1,053-1,125)	1,999 (1,213)	1,904 (1,064)	2,207 (1,262)	2,617 (1,550)	2,617 (1,550)	2,613 (1,556)	3,448 (2,128)	5,142 (2,907)
<b>VEHICLE DATA</b>									
Operator's cab (optional)	FSD (cab)	Cab	FSD (cab)	Cab	FSD (cab)	Cab	Cab	Cab	Cab
Axle (optional)	PA 1200	PA 1200	PA 1400 (PA 1422)	PA 1400 (PA 1422)	PA 1422	PA 1422	PA 1422	PA 1422/2	PA 1900
Travel speed (optional) km/h	0-20 (28)	0-20 (28)	0-20 (30)	0-20 (30)	0-20 (30)	0-20 (30)	0-20 (30/40)	0-20 (30/40)	0-20 (30/40)
Fuel tank capacity l	65	75	82	82	82	82	105	105	140
Hydraulic oil tank capacity l	50	50	66	66	66	66	95	95	125
<b>HYDRAULIC SYSTEM</b>									
Drive hydraulics – working pressure bar	450	450	450	450	450	450	455	455	480
Work hydraulics – discharge volume (optional) l/min	57.5 (74)	57.5 (74)	64 (74-103)	74 (83-103)	64 (74-103)	103	100 (115-150)	100 (115-150)	150 (180)
Work hydraulics – working pressure bar	235	235	235	235	235	235	235	235	250
<b>NOISE CHARACTERISTIC VALUES</b>									
Average sound power level LwA dB (A)	98.5-100.1	100.5	99.2	100.4	100.1	99.9	100.6-101.2	100.8	100.7
Guaranteed sound power level LwA dB (A)	101	101	101	101	101	101	103	103	102
Specified sound pressure level LpA dB (A)	77-85	78	80-85	78	79	79	74-76	75	70

Tipping load values in ( ) extended  
 FSD = Operator's canopy  
 DOC = Diesel oxidation catalyst  
 DPF = Diesel particle filter  
 SCR = Selective Catalytic Reduction

There may be short-term changes in the engines because of the constantly evolving emission standards. For current availabilities, you can contact your Weidemann distributor.

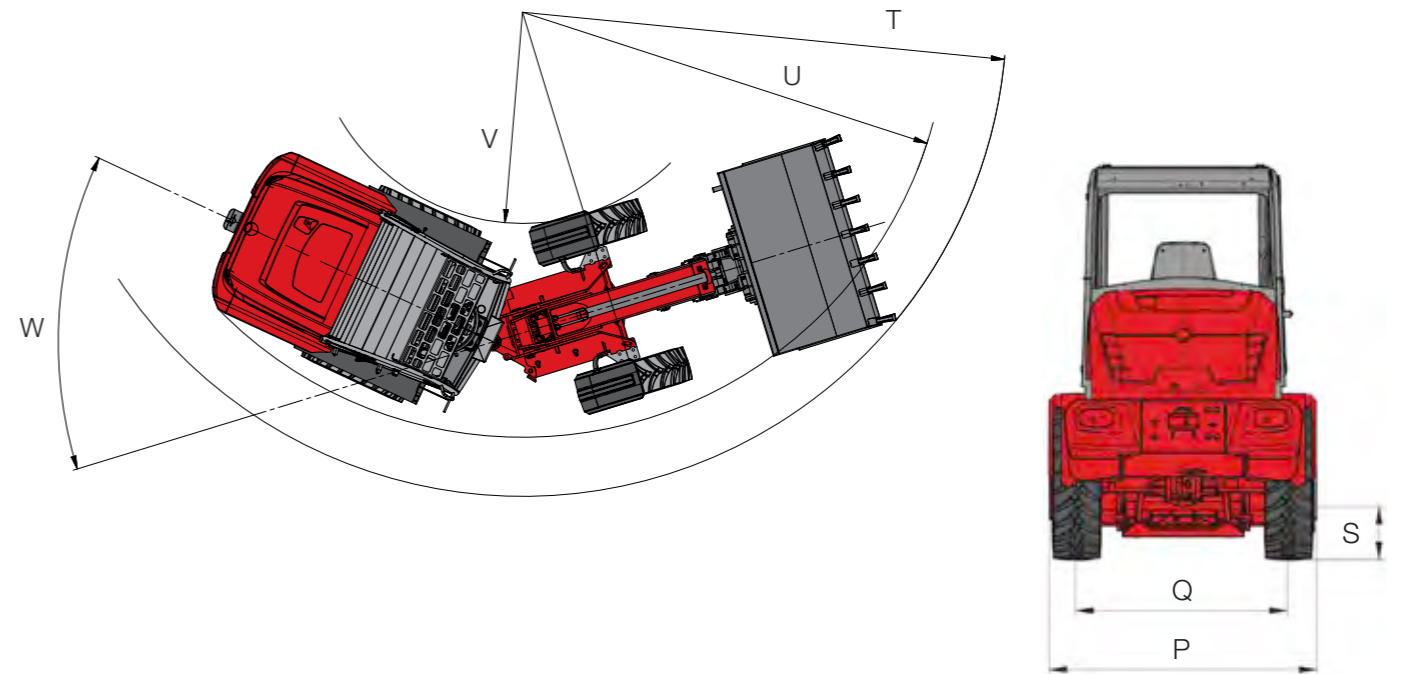
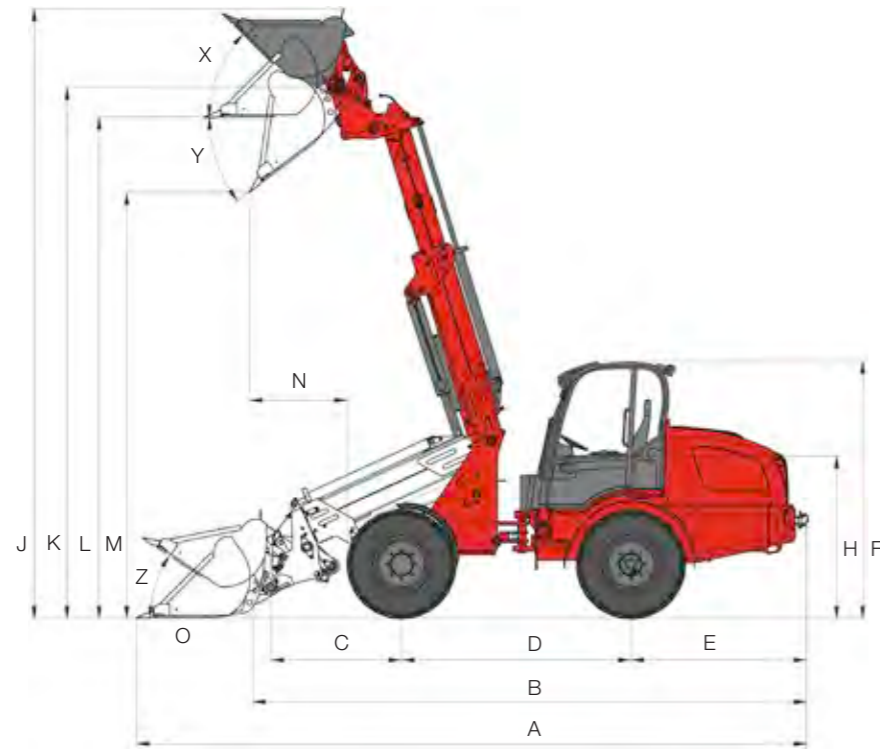
More information can be found at [www.weidemann.de](http://www.weidemann.de)

# Dimensions of wheel loader.



	2080LP	2080	3080LP	3080	4080LP	4080 Basic Line	4080	5080	9080
<b>DIMENSIONS</b>									
<b>Tires</b>	11.5/80-15 AS ET40	11.5/80-15 AS ET40	11.5/80-15 AS ET80	12.5/80-18 AS ET75	12.5-20 MPT ET 0	12.5-20 EM ET0	12.5-20 MPT ET 0	550/45 - 22.5 AS ET0	500 / 70 R24 XMCL ET40
<b>A Total length</b> mm	5,160	5,073	5,542	5,675	5,760	5,760	6,127	6,127	7,060
<b>B Total length (without bucket)</b> mm	4,190	4,281	4,647	4,649	4,828	4,828	4,886	4,886	6,270
<b>C Bucket pivot point (to centre of axle)</b> mm	680	675	1,027	1,025	991	991	990	990	1,810
<b>D Wheel base</b> mm	2,050	2,045	2,005	2,008	2,150	2,215	2,151	2,151	2,660
<b>E Rear overhang</b> mm	1,420	1,516	1,531	1,531	1,531	1,531	1,676	1,676	1,520
<b>F Height with cab</b> mm	-	-	-	-	-	-	2,679	2,720	3,110
<b>F Height with low operator's canopy</b> mm	2,190	-	2,251	-	-	-	-	-	-
<b>F Height with high operator's canopy</b> mm	2,350	-	2,409	-	2,495	-	-	-	-
<b>F Height with low cab</b> mm	2,190	2,359	2,246	2,454	-	-	-	-	-
<b>F Height with high cab</b> mm	2,400	2,535	2,446	2,631	2,535	2,660	-	-	-
<b>H Seat height</b> mm	1,243	1,429	1,409	1,518	1,495	1,590	1,606	1,570	1,940
<b>J Total working height</b> mm	3,900	3,828	4,056	4,106	4,561	4,561	4,413	4,428	5,250
<b>K Max. height of bucket pivotal point</b> mm	3,240	3,239	3,291	3,317	3,671	3,671	3,671	3,686	4,260
<b>L Overhead loading height</b> mm	2,930	2,950	3,019	3,061	3,335	3,335	3,310	3,325	3,980
<b>M Dumping height</b> mm	2,390	2,509	2,474	2,503	2,864	2,864	2,743	2,758	3,300
<b>N Coverage for M</b> mm	344	177	755	953	875	875	1,064	1,009	1,140
<b>O Digging depth</b> mm	90	62	123	82	114	114	143	128	136
<b>P Total width</b> mm	1,415	1,410	1,530	1,580	1,742	1,742	1,750	1,990	2,390
<b>Q Track width</b> mm	1,125	1,113	1,240	1,211	1,432	1,432	1,422	1,422	1,820
<b>S Ground clearance</b> mm	294	270	324	323	352	352	360	375	502
<b>T Max. outer radius</b> mm	3,510	3,523	4,105	3,943	4,242	4,242	4,172	4,172	5,630
<b>U Radius on outer edge</b> mm	3,219	3,316	3,587	3,461	3,785	3,785	3,683	3,683	4,900
<b>V Inner radius</b> mm	1,745	1,727	1,753	1,685	1,931	1,931	1,951	1,878	2,450
<b>W Articulation angle</b> °	45	45	42	42	42	42	42	42	40
<b>X Rollback angle at max. lift height</b> °	54	52	43	51	44	44	38	38	45
<b>Y Max. tilt-out angle</b> °	40	39	39	32	28	28	28	28	45
<b>Z Rollback angle on the ground</b> °	48	45	42	49	38	38	44	44	48

# Dimensions of telescopic wheel loader.



	2080LPT	2080T	3080LPT	3080T	4080LPT	4080T Basic Line	4080T	5080T	9580T
<b>DIMENSIONS</b>									
<b>Tires</b>	11.5/80-15 AS ET40	11.5/80-15 AS ET40	11.5/80-15 AS ET80	12.5/80-18 AS ET75	12.5-20 MPT ET 0	12.5-20 EM ET0	12.5-20 MPT ET 0	550/45 - 22.5 AS ET0	500 / 70 R24 XMCL ET40
<b>A Total length</b> mm	5,500	5,468	5,929	5,901	5,929	5,929	6,396	6,396	6,960
<b>B Total length (without bucket)</b> mm	4,630	4,689	5,180	5,135	5,180	5,180	5,200	5,200	6,090
<b>C Bucket pivot point (to centre of axle)</b> mm	876	875	1,394	1,246	1,394	1,394	1,245	1,245	1,440
<b>D Wheel base</b> mm	2,050	2,120	2,189	2,189	2,189	2,189	2,189	2,189	2,900
<b>E Rear overhang</b> mm	1,420	1,516	1,531	1,531	1,531	1,531	1,676	1,676	1,520
<b>F Height with cab</b> mm	-	-	-	-	-	-	2,679	2,720	3,110
<b>F Height with low operator's canopy</b> mm	2,190	-	2,251	-	-	-	-	-	-
<b>F Height with high operator's canopy</b> mm	2,350	-	2,409	-	2,495	-	-	-	-
<b>F Height with low cab</b> mm	2,190	2,359	2,246	2,454	-	-	-	-	-
<b>F Height with high cab</b> mm	2,400	2,535	2,446	2,631	2,532	2,660	-	-	-
<b>H Seat height</b> mm	1,250	1,429	1,409	1,518	1,495	1,590	1,607	1,570	1,940
<b>J Total working height</b> mm	4,954	4,937	5,729	5,751	5,815	5,815	5,824	5,839	6,500
<b>K Max. height of bucket pivotal point</b> mm	4,277	4,292	4,990	5,016	5,076	5,076	5,076	5,091	5,480
<b>L Overhead loading height</b> mm	3,950	3,935	4,565	4,572	4,651	4,651	4,790	4,805	5,210
<b>M Dumping height</b> mm	3,465	3,455	4,143	4,222	4,226	4,226	4,071	4,086	4,580
<b>N Coverage for M</b> mm	850	760	793	780	707	707	931	916	1,300
<b>O Digging depth</b> mm	138	154	212	205	126	126	-	-	130
<b>P Total width</b> mm	1,415	1,410	1,530	1,580	1,742	1,742	1,750	1,990	2,390
<b>Q Track width</b> mm	1,125	1,120	1,242	1,211	1,432	1,432	1,422	1,422	1,820
<b>S Ground clearance</b> mm	294	295	324	323	410	352	360	375	502
<b>T Max. outer radius</b> mm	3,795	3,761	4,275	3,943	4,275	4,275	4,473	4,473	5,770
<b>U Radius on outer edge</b> mm	3,325	3,316	3,840	3,461	3,840	3,840	3,928	3,928	4,900
<b>V Inner radius</b> mm	1,881	1,727	2,105	1,685	1,948	1,848	1,702	1,629	2,450
<b>W Articulation angle</b> °	45	45	42	42	42	42	45	42	40
<b>X Rollback angle at max. lift height</b> °	45	60	45	45	45	45	45	45	50
<b>Y Max. tilt-out angle</b> °	32	35	30	33	30	30	33	33	40
<b>Z Rollback angle on bottom</b> °	39	37	36	35	36	36	41	41	40

# Tires.

## AXLE

## TIRES

11.5/80-15 AS ET40
11.5/80-15 AS ET80
15.0/55-17 AS ET0
15.0/55-17 AS ET-40
12-16.5 EM ET0
12-16.5 EM ET45
15.5/55 R 18 EM ET0
15.5/55 R 18 EM ET60
31x15.5-15 EM ET-37
33x15.5-15 RP ET-37
33 x 15.5-15 RP ET-40
12.0/75-18 MPT ET-30
12.5/80-18 AS ET75
12.5-18 MPT ET0
12.5-18 MPT ET60
12.5-20 MPT ET0
12-16.5 Sure Trax ET0 BKT
425/55 R 17 AS ET45
425/55 R 17 AS ET-40 Alliance 570
400/70-20 AS ET0 AS504
400/70-20 AS ET-50 AS504
405/70 R 18 EM ET0
405/70 R 20 EM ET0
400/70 R20 ET-50 Michelin Bibload
500/45-20 AS ET0
550/45-22.5 AS ET0
550/45-22.5 AS ET-50
340/80 R 18 ET0 Alliance Multi-use 550
400/70 R20 ET0 Alliance Multi-use 550
400/70 R20 ET-60 Alliance Multi-use 550
400/70 R 20 ET0 Michelin XMCL
600/40-22.5 AS ET-50
500/70 R24 Michelin XMCL ET 40
540/70 R24 Michelin XMCL ET 0
600/55 R26.5 Alliance 331 ET 0
700/55 R26.5 Alliance 331 ET -50
17.5 R25 Michelin SNOWPLUS ET 50
540/70 R24 Michelin BIBLOAD ET 0

	2080LP 2080LPT	2080 2080T	3080LP, 3080 3080LPT 3080T	3080LP, 3080 3080LPT 3080T	4080 Basic Line, 4080 T Basic Line	4080LP, 4080 4080LPT 4080T	5080 5080T	9080 9580T
	PA1200	PA1200	PA1400	PA1422	PA1422	PA1422	PA1422/2	PA1900
	Width of machine mm							
1,410*	1,410*	-	-	-	-	-	-	-
-	-	1,530* <sup>1</sup>	-	-	-	-	-	-
1,600	1,600	-	-	-	-	-	-	-
1,660	1,660	-	-	-	-	-	-	-
1,500	1,500	-	-	-	-	-	-	-
1,415	1,415	-	-	-	-	-	-	-
1,570	1,570	-	1,780	1,780	1,780	-	-	-
-	-	1,690	-	-	-	-	-	-
1,680	1,680	-	-	-	-	-	-	-
1,680	-	-	-	-	-	-	-	-
-	1,680	-	-	-	-	-	-	-
-	-	-	-	-	-	-	-	-
-	-	1,580*	-	-	-	-	-	-
-	-	1,730	1,750	-	-	-	-	-
-	-	1,600	-	-	-	-	-	-
-	-	-	1,750*	1,742*	1,750*	1,750	-	-
1,530	1,530	-	-	-	-	-	-	-
-	-	1,740	-	-	-	-	-	-
1,700	1,700	-	-	-	-	-	-	-
-	-	1,820	1,840	1,840	1,840	1,840	-	-
-	-	-	1,930	1,930	1,930	1,930	-	-
-	-	1,820	1,815	1,815	1,815	1,815	-	-
-	-	1,807	1,829	1,829	1,829	1,829	-	-
-	-	-	1,944	1,944	1,944	1,944	-	-
-	-	1,900	1,920	1,920	1,920	1,920	-	-
-	-	-	1,990	1,990	1,990	1,990*	-	-
-	-	-	2,080	2,080	2,080	2,080	-	-
-	-	-	1,770	1,770	1,770	1,770	-	-
-	-	-	1,800	1,800	1,830	1,830	-	-
-	-	-	1,930	1,930	1,950	1,950	-	-
-	-	-	1,810	1,810	1,810	1,830	-	-
-	-	-	-	-	-	2,120	-	-
-	-	-	-	-	-	-	2,390*	-
-	-	-	-	-	-	-	2,458	-
-	-	-	-	-	-	-	2,487	-
-	-	-	-	-	-	-	2,696	-
-	-	-	-	-	-	-	2,390	-
-	-	-	-	-	-	-	2,463	-

# Tread.

Choosing the right tires is crucial when it comes to using a wheel- or telescopic wheel loader. If you have the right tires for the surface and job at hand, you will work more effectively with your machine and the attachment together. There are seven treads to choose from.



**EM treads**  
Thanks to the almost parallel lamellas, the EM tread is particularly well suited for loose ground such as sand, soil or gravel. Thanks to the high thrust transmission, this tire has a large footprint and runs very smoothly on the road.



**AS tread**  
The tapered lamellas ensure safe driving, especially on smeary and dirty terrain.



**SureTrax tread**  
The SureTrax tread impresses with a large contact surface as well as a high lift capacity. It is ideal for solid and other hard surfaces.



**RP tread**  
Due to the large contact surface, the ground is traversed gently. This makes the RP tread particularly suitable for application on lawns.



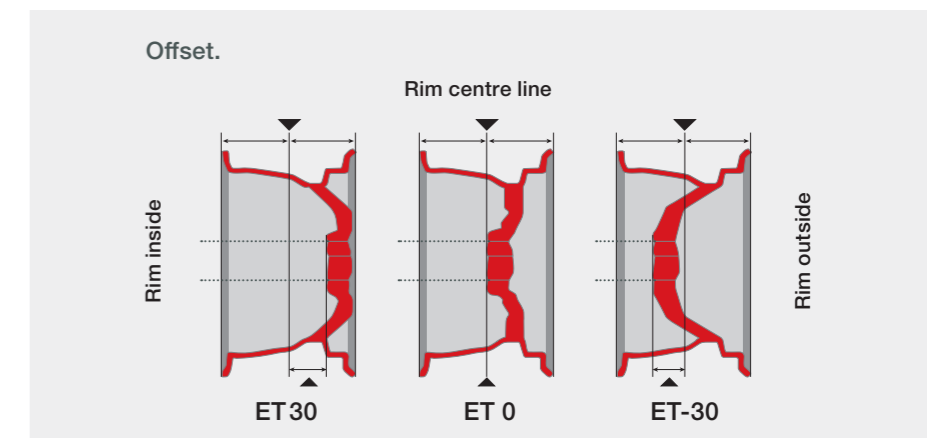
**MPT tread**  
The MPT profile offers the perfect combination of good traction on uneven ground conditions as well as fast road crossings.



**Multi-use**  
The multi-use tread was specially designed for year-round use and various climate conditions. In summer, it provides good traction on loose surfaces. In winter, it offers stability on snow and slippery driving surfaces.

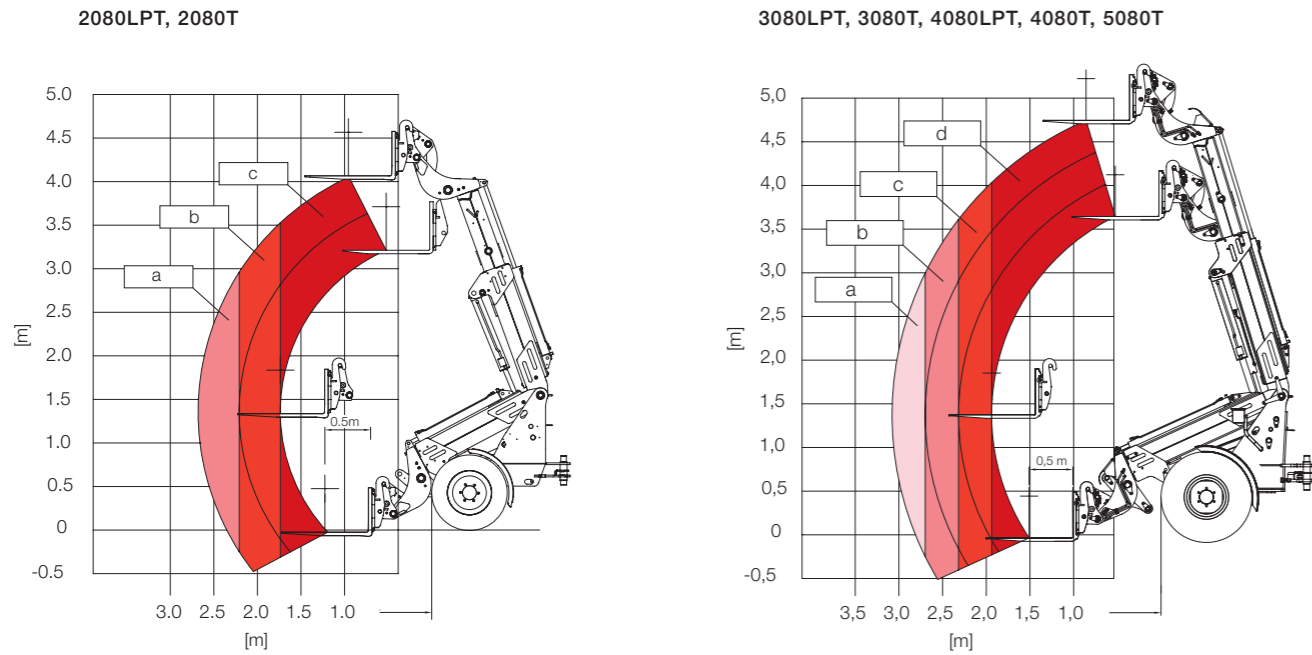


**Bibload tread**  
The Bibload tread offers high level of running smoothness and high mileage due to large ground contact area. Furthermore, the staggered tread blocks ensure optimum traction. The tread is further characterised by high wear resistance.

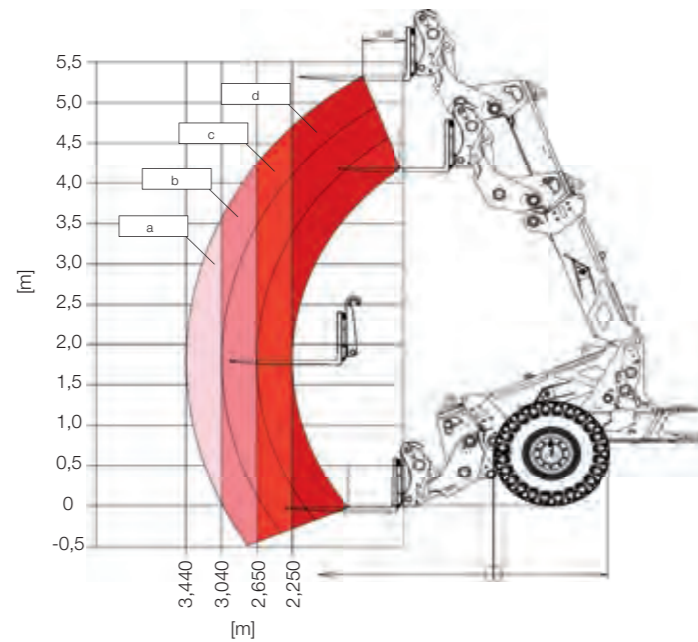


\*Standard tires  
<sup>1</sup>Only 3080LP and 3080LPT

# Load-bearing capacity diagram.



9580T



	2080LPT	2080T	3080LPT	3080T	4080LPT	4080T	5080T	9580T
<b>LOAD-BEARING CAPACITY kg</b>								
a	702	828	638	757	930	933	1,277	2,016
b	892	1,039	715	848	1,040	1,044	1,426	2,235
c	1,163	1,340	988	1,145	1,359	1,358	1,794	2,897
d	-	-	1,142	1,324	1,570	1,568	2,069	3,296

Safety factor 1.67 for rough terrain, maximally pivoted machine, standard tires.

# Vibration characteristic values.

Typical operating conditions	Mean value			Standard deviation (s)		
	$1.4 \cdot a_{w,eqx}$ [m/s <sup>2</sup> ]	$1.4 \cdot a_{w,eqy}$ [m/s <sup>2</sup> ]	$a_{w,eqz}$ [m/s <sup>2</sup> ]	$1.4 \cdot s_x$ [m/s <sup>2</sup> ]	$1.4 \cdot s_y$ [m/s <sup>2</sup> ]	$s_z$ [m/s <sup>2</sup> ]
<b>VIBRATIONS</b>						
<b>TYPE OF LOADING</b>						
Compact wheel loader (operating weight < 4,500 kg)						
Wheel loader (operating weight > 4,500 kg)						
Load and carry (load and transport work)	0.94	0.86	0.65	0.27	0.29	0.13
Load and carry (load and transport work)	0.84	0.81	0.52	0.23	0.20	0.14
Application in quarrying (harsh application conditions)	1.27	0.79	0.81	0.47	0.31	0.47
Delivery drive	0.76	0.91	0.29	0.33	0.35	0.17
V-operation	0.99	0.84	0.54	0.29	0.32	0.14

## Whole-body vibrations:

- Each machine is equipped with an operator's seat that meets the requirements of EN ISO 7096:2000.
- When the loader is properly used, whole body vibration varies from below 0.5 m/s<sup>2</sup> up to a short-term maximum value.
- To calculate the vibration values according to ISO/TR 25398:2006, it is recommended to use the values specified

in the table. The actual application conditions are to be considered.

- Like wheel loaders, telehandlers are to be classified according to operating weight.

## Hand-arm vibrations:

- The hand-arm vibrations are no more than 2.5 m/s<sup>2</sup>.





# WEIDEMANN

*designed for work*

## Weidemann – traditionally efficient.

For decades, our mission has been to lighten the load of commercial agriculture by the mechanisation of stable and yard operations. This led to the design and development of the Hoftrac®, which has become a generic term for its own equipment category – the original comes from Weidemann. The close co-operation between the Weidemann developers and our end users has repeatedly led to innovative concepts and a sophisticated product programme with high usability and

mature technology. We stand by this and continue to pursue our chosen path. Our customers benefit from high productivity, investment security and have a strong partner in Weidemann, who is always at their side. Our machines and services perform at a high level and bring daily pleasure through their work operation. Made precisely for this. Weidemann – designed for work.



## Weidemann – your strong partner.

All-round care.



### Comprehensive dealer network.

Weidemann has a wide network of select dealers in Germany and Europe. Each dealer is part of a well-organised system. In addition to consulting and selling new machines, our dealers are happy to provide you with reliable customer service and supply you with spare parts. Weidemann offers regular training for dealers so that your contact partners are always up to date.

### Attractive financing programme.

In Germany, Weidemann offers attractive options for financing or leasing machines thanks to various framework agreements. Weidemann distributors also offer various financing options at the international level. Get in touch with your local contact partner to find out about current conditions.



### Personal training and instruction.

When you decide to purchase a Weidemann machine, you will not be left in the dark. When the machine is handed over, you and your entire team will receive detailed instructions on the operation and maintenance of the machine. If you would like to know more, simply contact your dealer. He or she is just around the corner and will be happy to help without bureaucracy.

### In the spare parts sector, speed is of the essence.

As our Weidemann machines are generally in everyday use with you, your machine must be repaired for you as quickly as possible as and when required. Weidemann offers a head office spare parts warehouse for this and provides the specialist dealers an electronic 24hr order service and delivery within 24hr in Europe. Many of our dealers have developed their own well arranged spare parts and maintenance item store beyond this so that the most common parts are on-site.





# WEIDEMANN

*designed for work*

## The Weidemann product range.



### The multifunctional Hoftracs®.

Powerful helper for every application.  
Our innovation: the fully electric 1160  
eHoftrac®.



### The powerful wheel loader.

Available either with load arm or telescopic arm.



### The compact telehandler.

Aim high with optimal stability.



### Attachments and tires.

Your Weidemann machine becomes a multi-tool! The optimal attachment and the right tires for every task.



WM.EMEA.10240.V05.EN/10/2021

### Weidemann GmbH

Elfringhäuser Weg 24

34497 Korbach

Germany

Tel. +49(0)5631 50 16 94 0

Fax +49(0)5631 50 16 94 666

info@weidemann.de

www.weidemann.de