



CFORCE 600 CFORCE 600 TOURING

Owner's Manuel Guide du propriétaire

Read this operator's guide thoroughly.
It contains important safety information.
Minimum recommended operating age: 16 or older.
Keep this operator's guide with the vehicle at all times.
The removal or modification of evaporative emission-related
parts on this OHRV is illegal. Violators may be subject to civil
and/or criminal penalties under California and federal law.

Lisez attentivement ce guide de l'opérateur, il contient des informations de sécurité
importantes. Âge minimum recommandé la conduite de ce véhicule : 16 ans ou plus.
Conservez ce guide de l'opérateur avec le véhicule à tout moment. Le retrait ou la modification
de pièces liées aux émissions par évaporation sur cet OHRV est illégal. Les contrevenants
peuvent être soumis à des sanctions civiles et/ou pénales en vertu de la loi californienne et fédérale.

TABLE DES MATIÈRES

Foreword	1
Welcome	1
EVAP System (Evaporative Emission Control System)	2
Catalytic Converter.....	2
Signal Words	3
Introduction	8
Vehicle Identification Numbers / Keys.....	9
Specifications	10
Operator Safety	16
Age Restrictions	16
Know Your Vehicle	16
Equipment Modifications	17
Safety Training	20
Safe Riding Gear.....	43
Safety Decals and Locations.....	46
Features & Controls	54
Left Hand Controls	54
Right Hand Controls	58
Foot Brake.....	62
Fuel Tank.....	64
Transmission Gear Selector.....	66

CVT System	68
Engine Braking System (EBS)	69
How To Avoid CVT Drive Belt and Component Failure	70
Vehicle Features	72
Winch Operation	78
Dashboard Indicators and Operation	90
Operation of your ATV	98
Engine Break-In Period	98
Brake Break-In Period	98
Pre-Ride Inspection.....	100
Starting the Engine.....	100
Gear Selector Operation	102
Hauling and Towing Cargo	105
Driving Safely	108
Maintenance Schedule.....	125
Severe Use Definition	125
Periodic Maintenance Schedule / Icon Key.....	126
Pre-Ride Maintenance Checklist.....	128
Break-In Maintenance Checklist	130
Periodic Maintenance Schedule.....	132
Maintenance Procedures	139

Cleaning & Storage	181
Transporting the Vehicle.....	186
Vehicle Issue Diagnosis.....	187
Engine doesn't turn over	187
Engine Pings or Knocks	187
Engine Stops or loses power	188
Engine Turns Over, Fails to Start	188
Engine Backfires	189
Engine Runs Irregularly, Stalls or Misfires.....	189
Engine Runs Irregularly, Stalls or Misfires.....	190
Engine Stops or Loses Power.....	191
EFI Malfunction Indicator Light.....	192
EPS Malfunction Indicator Light	193
CFMOTO Limited Warranty For USA	195
WARRANTY TERMS & CONDITIONS	195
CALIFORNIA EVAPORATIVE EMISSIONS CONTROL WARRANTY STATEMENT ..	201
U.S.A. EPA and CARB Emissions Control Limited Warranty	203
Noise Control System and Tampering.....	207
CHANGE OF OWNERSHIP	208
CFMOTO RIDE App / Telematics Box	209

FOREWORD

Foreword

Welcome

Thank you for purchasing a CFMOTO vehicle, and welcome to our world-wide family of CFMOTO enthusiasts. Be sure to visit us online at www.cfmoto.com for the latest news, new product introductions, upcoming events, and more.

CFMOTO is an international company that specializes in the development, manufacture, and marketing of all-terrain vehicles, utility vehicles, large displacement motorcycles, and their core components. Founded in 1989, CFMOTO is devoted to the development of independent brand cultivation and R&D innovation. CFMOTO products are currently distributed through more than 2000 companions worldwide in more than 100 countries and regions. CFMOTO is edging into the advanced ranks in the world of powersports, and aims to supply superior products to dealers and fans globally.

For safe and enjoyable operation of your vehicle, be sure to follow the instructions and recommendations in this owner's manual. Your manual contains instructions for minor maintenance. Information about major repairs is outlined in the CFMOTO Service Manual. Your CFMOTO dealer knows your vehicle best and is interested in your total satisfaction. Be sure to return to your dealership for all of your service needs during, and after, the warranty period.

The information in this manual includes the most current product information available at the time of publishing and may contain product information that does not apply to your particular market. The instructions contained in this publication are not legally binding. CFMOTO reserves the right to modify or completely delete technical instructions, service instructions, maintenance instructions, prices, colors, shapes, materials, designs, configurations and similar content without prior notice and without reason. Due to continuous improvements in the design and quality of production components, minor discrepancies may result between the actual vehicle and the information provided within. No liability can be accepted for omissions, deviations, inaccuracies, printing defects or errors in the delivery method, drawings and instructions. Any reproduction or reuse of the images, descriptions and/or procedures within, whether whole or in part, is expressly prohibited without written permission from the copyright holder.

This manual applies to the following models: CF600AU-3SA, CF600AZ-3SA, CT600AZ-3SA, CF600AU-3LA, CF600AZ-3LA, CT600AZ-3LA

FOREWORD

WARNING

The engine exhaust from this product contains chemicals known to the State of California to cause cancer, birth defects or other reproductive harm.

EVAP System (Evaporative Emission Control System)

(If equipped)

When required by environmental emissions regulations, this vehicle is manufactured with a fuel evaporation system (EVAP) to prevent fuel vapors entering the atmosphere from the fuel tank and fuel system.

During routine maintenance, visually inspect all hose connections for leaks or blockage. Ensure the hoses are not clogged or kinked, which could damage the fuel pump or distort the fuel tank. No other maintenance is necessary.

Contact your dealer if repair is required. Do not modify the EVAP system. Modifying any part of this system will violate environmental emissions regulations.

Catalytic Converter

CAUTION: Please pay attention to the following to protect your catalytic converter:

- Use only unleaded gasoline. Even gasoline that contains a little lead could damage the reactive metals contained in the catalytic converter and disable it.
- Never add rust preventive oil or engine oil into the muffler. Doing so could damage the catalytic converter.

NOTE:

Some features described within this manual may not apply to models sold in North America.

All descriptions and directions given are from the operator's perspective when properly seated.

FOREWORD

Signal Words

A signal word calls attention to a safety message or messages, a property damage message or messages, and designates a degree or level of hazard seriousness. The standard signal words in this manual are WARNING, CAUTION and NOTE: or NOTICE.

The following signal words and symbols appear throughout this manual and on your vehicle. Your safety is involved when these words and symbols are used. Become familiar with their meanings before reading the manual:

WARNING

This safety alert and icon indicates a potential hazard that may result in serious injury or death.

CAUTION

This safety alert and icon indicates a potential hazard that may result in minor or moderate personal injury and/or damage to the vehicle.

CAUTION

This safety alert without an icon indicates a situation that may result in damage to the vehicle.

NOTE: or NOTICE

A NOTE: or notice will alert you to important information or instructions

FOREWORD
⚠️ WARNING FOR TYPE I ATVs
(1-person vehicle)

Improper vehicle use can result in SEVERE INJURY or DEATH



**ALWAYS
USE AN
APPROVED
HELMET AND
PROTECTIVE
GEAR**



**NEVER USE
ON PUBLIC
ROADS**



**NEVER CARRY
PASSENGERS**



**NEVER
USE WITH
DRUGS OR
ALCOHOL**

FOREWORD

 **WARNING FOR TYPE II ATVs**

(2-person vehicle)

Improper vehicle use can result in SEVERE INJURY or DEATH



**ALWAYS
USE AN
APPROVED
HELMET AND
PROTECTIVE
GEAR FOR
DRIVER AND
PASSENGER**



**NEVER USE
ON PUBLIC
ROADS**



**NEVER
CARRY MORE
THAN ONE
PASSENGER**



**NEVER
USE WITH
DRUGS OR
ALCOHOL**

FOREWORD

NEVER:

- Operate without proper training or instruction.
- Operate on public roads. A collision can occur with another vehicle.
- Operate at speeds too fast for your skill or the conditions.
- Carry multiple passengers, Type II ATVs are designed for a single passenger only.
- Use ALCOHOL or DRUGS before or while driving this vehicle.

ALWAYS:

- Avoid paved surfaces, which may adversely affect the handling and control.
- Use proper riding techniques to avoid vehicle overturn on hills and rough terrain, and when turning.
- Wear eye protection, helmet and protective clothing.

FOREWORD
READ THE OWNER'S MANUAL
FOLLOW ALL INSTRUCTIONS AND WARNINGS

 WARNING

Read, understand, and follow all of the instructions and safety precautions in this manual and on all product labels. Failure to follow the safety precautions could result in serious injury or death.

 WARNING

The engine exhaust gas from this product contains CO, which is deadly gas and could cause headaches, giddiness, loss of consciousness, or even death. Always avoid starting the vehicle in areas with poor ventilation.

INTRODUCTION

Introduction

Thank you for purchasing a CFMOTO vehicle, and welcome to our world-wide family of CFMOTO enthusiasts.

For safe and enjoyable operation of your vehicle, be sure to follow the instructions and recommendations in this owner's manual. Information about major repairs are outlined in the CFMOTO Service Manual, and should only be performed by a CFMOTO service dealer and technician. Be sure to return to your dealership for all of your service needs during, and after, the warranty period.

If you have questions or concerns about your vehicle

All questions or concerns related to your vehicle should be directed to your local CFMOTO dealer first. Your dealer knows your vehicle best and is interested in your total satisfaction. In the event your local dealer is unable to resolve a product issue or concern, you can reach a CFMOTO customer service representative depending on the market you reside in:

For USA: Please contact CFMOTO POWERSPORTS, INC. TEL: 763-398-2690, by e-mail: info@cfmotousa.com, or online: <https://cfmotousa.com/customer-care/customer-care-contact>. Please NOTE: that customer service does not have authority to approve or deny warranty, and cannot provide technical repair data, diagnosis, or instructions.

For CANADA: Please contact CANADA MOTOR IMPORT INC. TEL: 1-418-227-2077, or online: <https://www.cfmoto.ca/en/customer-care/>.

For a safety concern related to your Canadian vehicle, you may report your concern to Transport Canada Defect Investigation and Recalls Division by mail, telephone, or online using the contact information below:

Mailing address: Transport Canada - ASFAD, 330 Sparks Street, Ottawa, ON, K1A 0N5

TEL: 819-994-3328 (Ottawa-Gatineau area or international) or toll-free: 1-800-333-0510 (In Canada)

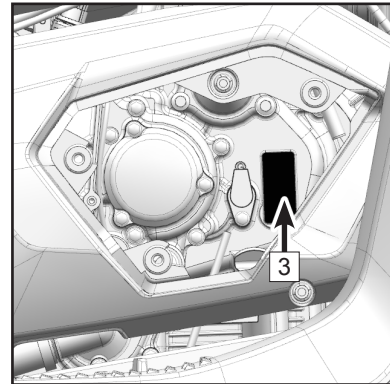
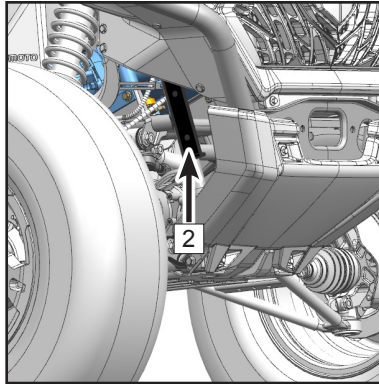
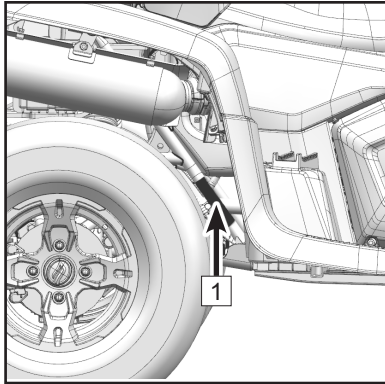
Online: <http://www.tc.gc.ca/recalls>

INTRODUCTION

Vehicle Identification Numbers / Keys

Record your vehicle's identification numbers in the spaces provided. Remove the spare key and store in a safe place. Your key can be duplicated only by mating a key blank with one of your existing keys.

If both keys are lost, the complete key switch assembly must be replaced.



1 Vehicle Identification Number: _____

2 Vehicle Model Number: _____

3 Engine Serial Number: _____

SPECIFICATION

Specifications

Item	CFORCE 600	CFORCE 600 TOURING
Overall Length	80.1 in. (2035 mm)	88.0 in. (2235 mm)
Overall Width	46.5 in. (1180 mm)	46.5 in. (1180 mm)
Overall Height	48.0 in. (1220 mm)	54.7 in. (1390 mm)
Wheel Base	50.4 in. (1280 mm)	58.3 in. (1480 mm)
Ground Clearance	10.6 in (270 mm)	
Minimum Turning radius	142.7 in. (3625 mm)	145.7 in. (3700 mm)
Basic Weight	798 lbs (362 kg)	908 lbs (412 kg)
Front Rack Load Capacity	66.1 lbs. (30 kg)	
Rear Rack Load Capacity	132.2 lbs. (60 kg)	
Maximum Vehicle Load Allowed	374.8 lbs. (170kg)	551.2 lbs. (250 kg)
Recommended Towing Capacities:		
Towing Hitch Weight	55.1 lbs. (25 kg)	
Trailer and Cargo Weight	1500 lbs. (680 kg)	
Engine Model And Type	Single cylinder, liquid cooling, 4 stroke, SOHC, valves	
Type	191S-B	

SPECIFICATION

Item	Specifications
Bore × Stroke	91 mm × 89.2 mm
Displacement	580 cc
Compression Ratio	10.68 : 1
Starting Type	Electric start
Lubrication Type	Splash / Pressure feed
Engine Oil: Type	SAE 5W-40 SAE 10W-40 / SAE 15W-40 (alternative viscosity for hot weather use)
Engine Oil Volume: Capacity Change / Oil Filter	3.17 qt. (3 L) 2.96 qt. (2.8 L)
Engine Coolant: Type	CFMOTO uses Organic Acid Technology (OAT) coolant in all liquid-cooled engines. Do not mix with inorganic (IAT) coolant.
Coolant Volume Mix Ratio	2.3 qt. (2.18 L) 50% coolant / 50% distilled water

SPECIFICATION

Item	Specifications
Rear gear case Oil:	
Type	SAE80W/90GL-5
Volume:	6.7 oz. (200 ml)
Periodic Oil Change	6.7 oz. (200 ml)
Front Gear Case Oil:	
Type	SAE80W/90GL-5
Volume	7.7 oz. (230 ml)
Periodic Oil Change	7.7 oz. (230 ml)
Air Filter	Paper filter element with foam pre-filter
Fuel Type	89# and above
Fuel Tank Capacity	4.75 gal. (18 L)
Fuel Reserve Amount At Fuel Gauge 'Flash' (Approximate)	1.05 gal. (4 L)

SPECIFICATION

Item		Specifications	
Spark Plug Type		NGK(R) CR8EK	
Spark Plug Gap		0.7 ±0.05 mm	
Transmission	Transmission	CVT+gear shift	
	Gear Shift/Order	Manual L/H/N/R/P	
	CVT Ratio	0.67 ~ 3.02	
	Gear Ratio	Low Gear	2.533
		High Gear	1.35
Reverse		2.071	
Chassis Frame		Steel tube	
Tires:			
Type		Tubeless	
Size	Type I Front	25×8.0-12	
	Rear	25×10.0-12	
	Type II Front	26×9.0-14	
	Rear	26×11.0-14	
Wheel Bolt Pattern		4x110mm	

SPECIFICATION

Item	Specifications
Tire Pressure:	
Front	6.5 PSI (45 kPa)
Rear	6.5 PSI (45 kPa)
Brake System:	Front: hydraulic disc
	Rear: hydraulic disc
Foot Brake Type / Operation	Front/rear united brake Operated by right foot
Hand Brake Type / Operation	Operated by right hand
Parking Brake Type / Operation	Hydraulic parking brake Operated by both hand and foot
Brake Fluid Type	DOT4
Suspension:	
Front Suspension	Double A-arm and independent
Rear Suspension	Double A-arm and independent

SPECIFICATION

Item	Specifications
Shock Absorber:	
Front Shock Absorber	Hydraulic damping / oil damper
Rear Shock Absorber	Hydraulic damping / oil damper
Wheel Travel:	
Front Wheel Travel	6.3 in. (160 mm)
Rear Wheel Travel	8.3 in. (210 mm)
Electrical System:	
Ignition	ECU ignition
Charging	A/C 600 Watt @ 5000 rpm
Battery	12 Vdc / 30 Amp Hr
Light System:	
Head Lamp, Low Beam	LED 14.4W×2
Head Lamp, High Beam	LED 28.5W×4
Front Position Light	LED 3.6W×2
Tail Light/Brake Light	LED 2.9W×2 / LED 2W×2
Dashboard	LED and LCD -- non-maintenance

OPERATOR SAFETY

Operator Safety

WARNING

Failure to heed the warnings contained in this manual can result in serious injury or death. An ATV is not a toy and can be hazardous to operate. This vehicle handles differently from other vehicles, such as motorcycles and cars. A collision or rollover can occur quickly, even during routine maneuvers like turning or driving over obstacles, if you fail to take proper precautions.

Read this owner's manual. Understand all safety warnings, precautions and operating procedures before operating this vehicle.

A packet containing important ATV safety information should be present with the owner's manual. If you cannot locate this packet, or if it has been removed, please contact your dealer.

Age Restrictions

This vehicle is an ADULT VEHICLE ONLY. Operation is prohibited for anyone under the age of 16. No passengers under age 12 are allowed on CFMOTO vehicles designed to carry a passenger.

Know Your Vehicle

As the operator of the vehicle, you are responsible for your personal safety, the safety of others, and the protection of our environment. Read and understand your owner's manual, which includes valuable information about all aspects of your vehicle, including safe operating procedures.

OPERATOR SAFETY

Equipment Modifications

CFMOTO is concerned with the safety of our customers and for the general public. Therefore, we strongly recommend that consumers do not install on a vehicle, any equipment that may increase the speed or power of the vehicle, or make any other modifications to the vehicle for these purposes. Any modifications to the original equipment of the vehicle create a substantial safety hazard and increase the risk of body injury. The warranty on your vehicle is terminated if any unapproved accessory equipment has been added to the vehicle, or if any modifications have been made to the vehicle that increase its speed or power.

NOTE:

The addition of certain accessory equipment which may change the handling and performance characteristics of the vehicle include, but are not limited to; mowers, plow blades, oversize tires, sprayers, large racks, lift kits and trailers. Use only approved accessories, and familiarize yourself with their function and effect on the vehicle.

Avoid Carbon Monoxide Poisoning

The engine exhaust from this product contains chemicals known to cause cancer, birth defects or other reproductive harm. All engine exhaust contains carbon monoxide, a deadly gas. Breathing carbon monoxide can cause headaches, dizziness, drowsiness, nausea, confusion and eventually death.

Carbon monoxide is a colorless, odorless, tasteless gas that may be present even if you do not see or smell any engine exhaust. Deadly levels of carbon monoxide can collect rapidly, and you can quickly be overcome and unable to save yourself. Also, deadly levels of carbon monoxide can linger for hours or days in enclosed or poorly ventilated areas.

To prevent serious injury or death from carbon monoxide:

- Never run the vehicle in poorly ventilated or partially enclosed areas.
- Never run the vehicle outdoor where engine exhaust can be drawn into a building through openings such as windows and doors.

OPERATOR SAFETY

Avoid Gasoline Fires and Other Hazards

Gasoline is extremely flammable and highly explosive. Fuel vapors can spread and be ignited by a spark or flame many feet away from the engine. To reduce the risk of fire or explosion, follow these instructions:

- Use only an approved gasoline container to store fuel.
- Never fill the gasoline container in the vehicle cargo box or on the vehicle. An electrical static discharge may ignite the fuel.
- Strictly adhere to proper fueling procedures.
- Never start or operate the engine if the fuel cap is not properly installed. Gasoline is poisonous and can cause injury or death.
- Never siphon gasoline by mouth.
- If you swallow gasoline, get any in your eye(s), or inhale gasoline vapor, see a doctor immediately.
- If gasoline spills on you, wash with soap and water and change your clothes.

Fuel Minimum Octane Rating and Safety Warnings

The recommended fuel for your vehicle is 89 Octane minimum, premium or mid-grade fuel (a maximum blend of 10% ethanol is allowed). Non-oxygenated (ethanol-free) fuel is recommended for best performance in all conditions.

OPERATOR SAFETY

WARNING

Gasoline is highly flammable and explosive under certain conditions.

Allow the engine and exhaust system to cool before filling the tank.

Always exercise extreme caution whenever handling gasoline.

Always refuel with the engine stopped, and outdoors or in a well ventilated area.

Never carry a plastic container with gasoline in the cargo area while riding. Static electricity between the cargo area and container could cause a spark.

Do not smoke or allow open flames or sparks in or near the area where refueling is performed, or where gasoline is stored.

Do not overfill the tank. Do not fill to the tank neck.

If gasoline spills on your skin or clothing, immediately wash it off with soap and water and change clothing.

Never start the engine or let it run in an enclosed area. Engine exhaust fumes are poisonous and can cause loss of consciousness or death in a short time.

The engine exhaust from this product contains chemicals known to cause cancer, birth defects or other reproductive harm. Operate this vehicle only outdoors or in well-ventilated areas.

Avoid Burns from Hot Parts

The exhaust system and engine become hot during operation. Avoid contact during and shortly after operation to avoid burns.

Inspection after an Accident

After any overturn or accident, have an authorized dealer inspect the entire vehicle for possible damage. The damage to the vehicle during an accident may be more serious than you think.

OPERATOR SAFETY

Safety Training

When you purchased your new ATV, your dealer offered a hands-on safety training course that covers all aspects of vehicle safety. You were also provided with printed materials that explain safe operating procedures. You should review this information on a regular basis. If you purchased a used ATV from a party other than a dealer, you can request safety training from any authorized dealer.

Familiarize yourself with all laws and regulations concerning the operation of this vehicle in your area. CFMOTO strongly advises you to strictly follow the recommended maintenance program outlined in your owner's manual. This preventive maintenance program is designed to ensure that all critical components on your vehicle are thoroughly inspected at specific intervals.

Hazardous Operation Warnings

Serious injury or death can result if you do not follow the following instructions and procedures outlined in further detail within your owner's manual:

 WARNING
--

Read this manual and all labels carefully, and follow the operating procedures described.

- Never operate an ATV without proper instruction. Take a training course. Beginners should receive training from a certified instructor. Contact an authorized dealer to find out about the training courses nearest you.
- Never allow anyone under 16 years of age to operate the vehicle.
- Never permit a guest to operate the ATV unless the guest has read this manual, all product labels, and has completed a certified safety training course.
- Never operate an ATV without wearing an approved helmet that fits properly . Always wear eye protection (goggles or face shield), gloves, boots, a long-sleeved shirt or jacket, and long pants.

OPERATOR SAFETY

- Never consume alcohol or drugs before or while operating an ATV.
- Never operate at excessive speeds. Travel at speeds appropriate for the terrain, visibility and operating conditions, and your experience.
- Never attempt wheelies, jumps or other stunts.
- Always inspect your ATV before each use to make sure it's in safe operating condition.
- Always follow the inspection and maintenance procedures and schedules outlined in your owner's manual.
- Always keep both hands on the handlebars and both feet on the footrest of the ATV during operation.
- Always travel slowly and use extra caution when operating on unfamiliar terrain. Be alert to terrain conditions.
- Never operate on excessively rough, slippery, or loose terrain.
- Always follow proper turning procedures as described in this manual. Practice turning at low speeds before attempting to turn at faster speeds. Do not turn at excessive speeds.
- Always have the ATV inspected by an authorized dealer if it's been involved in an accident.
- Never operate on hills too steep for the ATV or for your abilities. Practice on smaller hills before attempting larger hills.
- Always follow proper procedures for climbing hills:
 - Check the terrain carefully before ascending a hill.
 - Never climb hills with excessively slippery or loose surface. Shift your weight forward.
 - Never open the throttle suddenly or make sudden gear changes.
 - Never go over the top of a hill at high speed.

OPERATOR SAFETY

- Always follow proper procedures for going downhill and for braking on hills:
 - Check the terrain carefully before you start down a hill.
 - Shift your weight backward.
 - Never travel down a hill at high speed.
 - Avoid travel down a hill at an angle, which would cause the vehicle to lean sharply to one side.
 - Travel straight down the hill when possible.
- Always follow proper procedures for crossing the side of a hill:
 - Avoid hills with excessively slippery or loose surfaces.
 - Shift your weight to the uphill side of the ATV.
 - Never attempt to turn the ATV around on any hill until you have mastered (on level ground) the turning technique outlined in this manual.
 - Avoid crossing the side of a steep hill when possible.
- Always use proper procedures if you stall or roll backwards while climbing a hill:
 - To avoid stalling, maintain a steady speed when climbing a hill.
 - If you stall or roll backwards, follow the special procedure for braking described in this manual.
 - Always dismount on the uphill side, or to either side if the ATV is pointed straight uphill.
 - Turn the ATV around and remount following the procedure described in this manual.
- Always check for obstacles before operating in a new area. Never attempt to operate over large obstacles, such as rocks or fallen trees. Always follow proper procedures when operating over obstacles as described in this manual.

OPERATOR SAFETY

- Always be careful of skidding or sliding. On slippery surfaces like ice, travel slowly and use extra caution to reduce the chance of skidding or sliding out of control.
- Avoid operating the ATV through deep or fast-flowing water. If it's unavoidable, travel slowly, balance your weight carefully, avoid sudden movements, and maintain a slow and steady forward motion. Do not make sudden turns or stops, and do not make sudden throttle changes.
- Wet brakes may have reduced stopping ability. Test your brakes after leaving water. If necessary, apply them lightly several times to allow friction to dry out the pads.
- Always check for obstacles or people behind the ATV before operating in reverse. When it's safe to proceed in reverse, move slowly and avoid turning at sharp angles.
- Always use the size and type of tires specified for your ATV, and always maintain proper tire pressure.
- Never modify an ATV through improper installation or use of accessories.
- Never exceed the stated load capacity for your ATV. Cargo must be properly distributed and securely attached. Reduce speed and follow the instructions in this manual for carrying cargo or towing. Allow a greater distance for braking.
- Always remove the ignition key when the vehicle is not in use to prevent unauthorized use or accidental starting.
- Children or pets shall not be carried on the racks.
- Never touch moving parts such as wheels, drive shafts, etc.

FOR MORE INFORMATION ABOUT ATV SAFETY, PLEASE CONTACT YOUR DEALER.

OPERATOR SAFETY

⚠WARNING

POTENTIAL HAZARD:

Operating this ATV without proper instruction.

WHAT CAN HAPPEN:

The risk of an accident is greatly increased if the operator does not know how to operate the ATV properly in different situations and on different types of terrain.

HOW TO AVOID THE HAZARD:

Beginning and inexperienced operators should complete a certified training course offered by a dealer.

Operators should regularly practice the skills learned in the course and the operating techniques described in the owner's manual.

⚠WARNING

POTENTIAL HAZARD:

Failure to follow the age recommendations for this ATV.

WHAT CAN HAPPEN:

Severe injury and/or death could occur if a child under the minimum age recommendation operates an ATV. Even though a child may be within the recommended age group for operating some ATVs, he/she may not have the skills, abilities or judgment needed to operate an ATV safely and could be susceptible to accident or injury.

HOW TO AVOID THE HAZARD:

Operation is prohibited for anyone under 16 years of age.

OPERATOR SAFETY

⚠️ WARNING

POTENTIAL HAZARD:

Carrying a passenger on an ATV that is not designed for carrying a passenger, or carrying more passengers than the rated passenger capacity.

WHAT CAN HAPPEN:

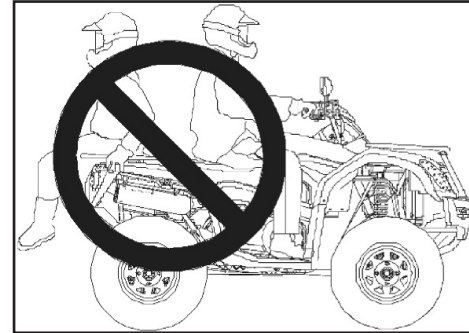
A passenger riding on an ATV not designed for carrying a passenger could be ejected from the vehicle unexpectedly or make contact with moving components, both of which can result in severe injury or death.

A passenger not seated behind the operator on an ATV could be ejected from the vehicle unexpectedly or make contact with moving components, both of which can result in severe injury or death.

Carrying more passengers than the rated passenger capacity will greatly reduce the operator's ability to balance and control the ATV.

HOW TO AVOID THE HAZARD:

Never allow a passenger on an ATV that is not designed for carrying a passenger, or carry more passengers than the rated passenger capacity.



OPERATOR SAFETY

⚠️ WARNING

POTENTIAL HAZARD:

Operation on paved surfaces such as sidewalks, trails parking lots, or public highways and streets.

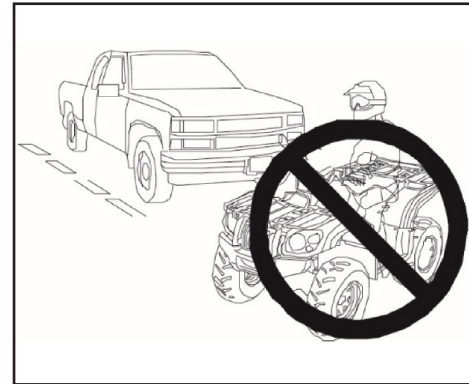
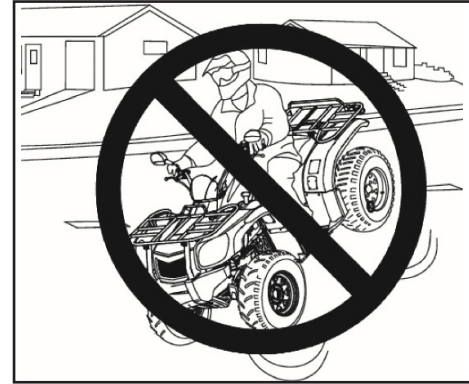
WHAT CAN HAPPEN:

ATV tires are designed for off-road use. Driving on paved surfaces greatly affects how an ATV handles, which can result in loss of control and/or an accident.

HOW TO AVOID THE HAZARD:

Never drive on paved surfaces. If it is unavoidable, slow down and do not make sudden turning or braking maneuvers.

Never operate ATVs on public highways or streets if it is not allowed by law. Check local laws to determine if it is legal to do so.



OPERATOR SAFETY

⚠️ WARNING

POTENTIAL HAZARD:

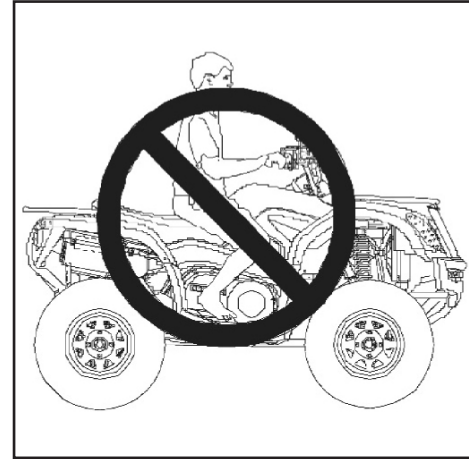
Operating this ATV without wearing an approved helmet, eye protection, and protective clothing.

WHAT CAN HAPPEN:

Operating an ATV without an approved helmet increases the risk of a severe head injury or death in the event of an accident. Operating without eye protection could result in an accident and could increase the chance of a severe eye injury in the event of an accident. Operating without protective clothing could increase the chance of a severe injury.

HOW TO AVOID THE HAZARD:

Always wear an approved helmet that fits properly. Always wear eye protection (goggles or face shield), gloves, long-sleeved shirt or jacket, and long pants.



OPERATOR SAFETY

⚠️ WARNING

POTENTIAL HAZARD:

Operating the ATV after consuming alcohol or drugs.

WHAT CAN HAPPEN:

Consumption of alcohol and/or drugs could seriously affect operator judgment. Reaction time may be slower and operator balance and perception could be affected. Consumption of alcohol and/or drugs before or while operating an ATV could result in an accident causing severe injury or death.

HOW TO AVOID THE HAZARD:

Never consume alcohol or drugs before or while operating an ATV.



OPERATOR SAFETY

⚠️ WARNING

POTENTIAL HAZARD:

Operating the ATV at excessive speeds.

WHAT CAN HAPPEN:

Excessive speed increases the operator's chance of losing control of the ATV, which can result in an accident.

HOW TO AVOID THE HAZARD:

Always operate the ATV at a speed that's proper for the terrain, visibility and operating conditions, and your experience.

⚠️ WARNING

POTENTIAL HAZARD:

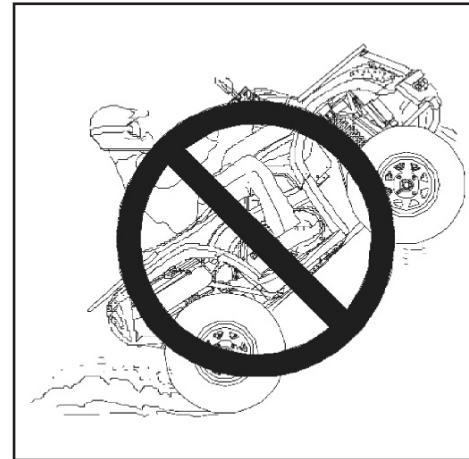
Attempting wheelies, jumps and other stunts.

WHAT CAN HAPPEN:

Attempting stunts increases the chance of an accident, including an overturn.

HOW TO AVOID THE HAZARD:

Never attempt wheelies, jumps, or other stunts. Avoid exhibition driving.



OPERATOR SAFETY

⚠️ WARNING

POTENTIAL HAZARD:

Failure to inspect the ATV before operating. Failure to properly maintain the ATV.

WHAT CAN HAPPEN:

Poor maintenance increases the possibility of an accident or equipment damage.

HOW TO AVOID THE HAZARD:

Always inspect your ATV before each use to make sure it's in safe operating condition.

Always follow the inspection and maintenance procedures and schedules described in the owner's manual.

⚠️ WARNING

POTENTIAL HAZARD:

Removing hands from the handlebars or feet from the footrests during operation.

WHAT CAN HAPPEN:

Removing even one hand or foot can reduce ability to control the vehicle or could cause loss of balance and ejection from the ATV.

If the operator's foot is not firmly planted on the footrest, it could come into contact with the rear wheels and lead to an accident or injury.

HOW TO AVOID THE HAZARD:

Always keep both hands on the handlebars and both feet on the footrests of the ATV during operation.

OPERATOR SAFETY

⚠️ WARNING

POTENTIAL HAZARD:

Failure to use extra caution when operating the ATV on unfamiliar terrain.

WHAT CAN HAPPEN:

Unfamiliar terrain may contain hidden rocks, bumps, or holes that could cause loss of control or overturn.

HOW TO AVOID THE HAZARD:

Travel slowly and use extra caution when operating on unfamiliar terrain. Always be alert to changing terrain conditions.



OPERATOR SAFETY

⚠️ WARNING

POTENTIAL HAZARD:

Failure to use extra caution when operating on excessively rough, slippery or loose terrain.

WHAT CAN HAPPEN:

Operating on excessively rough, slippery or loose terrain could cause loss of traction or loss of control, which could result in an accident or overturn.

HOW TO AVOID THE HAZARD:

Do not operate on excessively rough, slippery or loose terrain until you've learned and practiced the skills necessary to control the ATV on such terrain. Always use extra caution on rough, slippery or loose terrain.



OPERATOR SAFETY

WARNING

POTENTIAL HAZARD:

Turning improperly.

WHAT CAN HAPPEN:

Improper turns could cause loss of control and lead to a collision or overturn.

HOW TO AVOID THE HAZARD:

Always follow proper procedures for turning as described in the owner's manual. Practice turning at slow speeds before attempting to turn at faster speeds. Never turn at excessive speed.

OPERATOR SAFETY

⚠️ WARNING

POTENTIAL HAZARD:

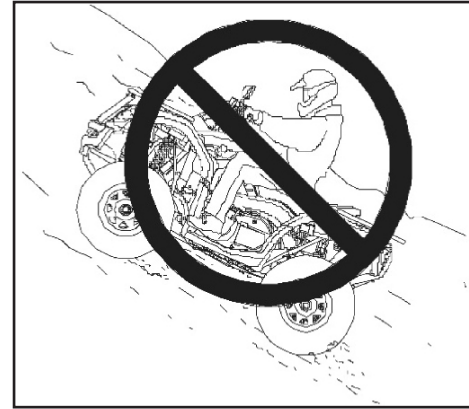
Climbing excessively steep hills or climbing hills improperly.

WHAT CAN HAPPEN:

Improper hill climbing could cause loss of control or overturn.

HOW TO AVOID THE HAZARD:

Never operate on hills too steep for the ATV or for your abilities. Practice on smaller hills before attempting large hills. Always check the terrain carefully before ascending any hill. Never climb hills with excessively slippery or loose surfaces. Shift your weight forward. Never open the throttle suddenly while traveling uphill. The ATV could flip over backwards. Never go over the top of any hill at high speed. An obstacle, a sharp drop, or another vehicle or person could be on the other side of the hill.



OPERATOR SAFETY

⚠️ WARNING

POTENTIAL HAZARD:

Traveling down excessively steep hills.

WHAT CAN HAPPEN:

Improper downhill travel could cause loss of control or overturn.

HOW TO AVOID THE HAZARD:

Never operate on hills too steep for the ATV or for your abilities. Practice on smaller hills before attempting large hills. Always check the terrain carefully before attempting any hill. Never descend hills with excessively slippery or loose surfaces.

NOTE:

A special driving and braking technique is required while traveling downhill. Always check the terrain carefully before descending a hill. Shift your weight backward. Never travel down a hill at high speed. Avoid traveling down a hill at an angle, which would cause the vehicle to lean sharply to one side. Travel straight down the hill when possible.



OPERATOR SAFETY

⚠️ WARNING

POTENTIAL HAZARD:

Improperly crossing hills and turning on hills.

WHAT CAN HAPPEN:

Improperly crossing or turning on hills could cause loss of control or overturn.

HOW TO AVOID THE HAZARD:

Never attempt to turn the ATV around on any hill until you've mastered the turning technique on level ground as described in the owner's manual.

Use extra caution when turning on any hill. Avoid crossing the side of a steep hill.

WHEN CROSSING THE SIDE OF A HILL:

Always follow proper procedures as described in the owner's manual. Avoid hills with excessively slippery or loose surfaces. Shift your weight to the uphill side of the ATV.



OPERATOR SAFETY

⚠️ WARNING

POTENTIAL HAZARD:

Stalling, rolling backwards or improperly dismounting while climbing a hill.

WHAT CAN HAPPEN:

The vehicle could overturn.

HOW TO AVOID THE HAZARD:

Maintain a steady speed when climbing a hill.

IF ALL FORWARD SPEED IS LOST:

Close the throttle. Keep your weight uphill. Apply the front brake. When fully stopped, apply the foot brake as well, then shift the gear selector to the park position.

IF THE ATV BEGINS ROLLING:

Keep weight uphill. Never apply engine power. Never apply the foot brake while rolling backwards. Apply the front brake. When fully stopped, apply the foot brake and shift the gear selector to the parking position. Dismount on uphill side, or to either side if ATV is pointed straight uphill.

Turn the ATV around and remount, following the procedure described in the owner's manual.



OPERATOR SAFETY

⚠️ WARNING

POTENTIAL HAZARD:

Improperly operating over obstacles.

WHAT CAN HAPPEN:

Operating over obstacles could cause loss of control or overturn.

HOW TO AVOID THE HAZARD:

Before operating in a new area, check for obstacles. Avoid operating over large obstacles such as rocks and fallen trees when possible. If unavoidable, use extreme caution and always follow proper procedures as outlined in the owner's manual.

⚠️ WARNING

POTENTIAL HAZARD:

Skidding or sliding.

WHAT CAN HAPPEN:

Skidding or sliding can cause loss of control. If the tires regain traction unexpectedly, the ATV could overturn.

HOW TO AVOID THE HAZARD:

On slippery surfaces such as ice, travel slowly and use extra caution to reduce the chance of skidding or sliding out of control.

OPERATOR SAFETY

⚠WARNING

POTENTIAL HAZARD:

Overloading the ATV or carrying/towing cargo improperly.

WHAT CAN HAPPEN:

Overloading and towing can cause changes in vehicle handling, which could lead to loss of control or an accident.

HOW TO AVOID THE HAZARD:

Never exceed the stated load capacity for this ATV.

Cargo should be properly distributed and securely attached. Reduce speed when carrying cargo or pulling a trailer. Allow a greater distance for braking. Always follow the instructions in the owner's manual for carrying cargo or pulling a trailer.

⚠WARNING

POTENTIAL HAZARD:

Operation of the ATV through deep or fast-flowing water.

WHAT CAN HAPPEN:

The tires may float, causing loss of traction and loss of control, which can lead to an accident or overturn.

HOW TO AVOID THE HAZARD:

Avoid operating the ATV through deep or fast-flowing water. If it is unavoidable to enter water that exceeds the recommended maximum depth, travel slowly, balance your weight carefully, avoid sudden movements, and maintain a slow and steady forward motion. Do not make sudden turns or stops, and do not make sudden throttle changes. Wet brakes may have reduced stopping ability. Always test the brakes after leaving the water. If necessary, apply brakes several times to dry out the pads.

OPERATOR SAFETY

⚠️ WARNING

POTENTIAL HAZARD:

Improperly operating in reverse.

WHAT CAN HAPPEN:

The ATV could collide with an obstacle or person, resulting in severe injury.

HOW TO AVOID THE HAZARD:

Before shifting into reverse gear, always check for obstacles or people behind the ATV. When it's safe to proceed, back slowly.

⚠️ WARNING

POTENTIAL HAZARD:

Operating this ATV with improper tires, or with improper or uneven tire pressure.

WHAT CAN HAPPEN:

Use of improper tires, or operation of the ATV with improper or uneven tire pressure, could cause loss of control or an accident.

HOW TO AVOID THE HAZARD:

Always use the size and type of tires specified in the owner's manual for the ATV. Always maintain proper tire pressure.

OPERATOR SAFETY

⚠WARNING

POTENTIAL HAZARD:

Operating the ATV with improper modifications.

WHAT CAN HAPPEN:

Improper installation of accessories or modification of the ATV may cause changes in handling which could lead to an accident.

HOW TO AVOID THE HAZARD:

Never modify the ATV through improper installation or use of accessories. All parts and accessories added to the vehicle must be genuine parts or equivalent components designed for use on this ATV and should be installed and used according to approved instructions. Consult your dealer for more information.

⚠WARNING

POTENTIAL HAZARD:

Operating on frozen bodies of water.

WHAT CAN HAPPEN:

Severe injury or death can result if the ATV and/or the operator fall through the ice.

HOW TO AVOID THE HAZARD:

Never operate the ATV on a frozen body of water.

OPERATOR SAFETY

WARNING

Leaving the keys in the ignition can lead to unauthorized use of the vehicle, resulting in serious injury or death. Always remove the ignition key when the vehicle is not in use.

WARNING

After any overturn or accident, have a qualified service dealer inspect the entire vehicle for possible damage, including (but not limited to) brakes, throttle and steering systems.

WARNING

Safe operation of this rider-active vehicle requires good judgment and physical skills. Persons with cognitive or physical disabilities who operate this vehicle have an increased risk of overturn and loss of control, which could result in severe injury or death.

WARNING

Exhaust system components are very hot during and after use of the vehicle. Hot components can cause serious burns and fire. Do not touch hot exhaust system components. Always keep combustible materials away from the exhaust system. Use caution when traveling through tall grass, especially dry grass.

OPERATOR SAFETY

Safe Riding Gear

Always wear clothing suited to the type of riding. ATV riding requires special protective clothing for comfort and to reduce the chance of injury:

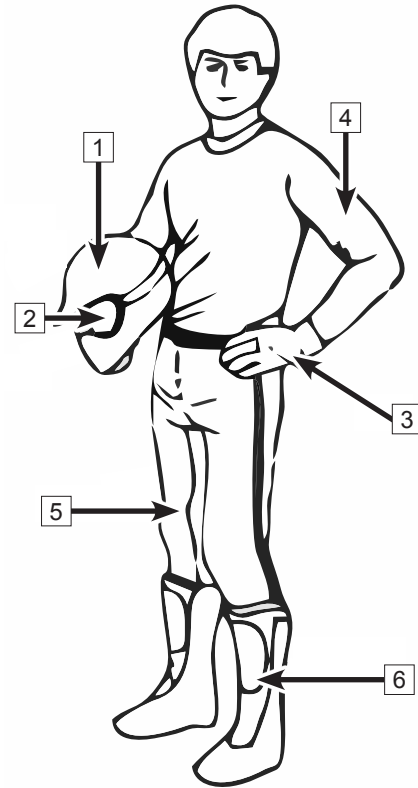
- 1 An approved helmet
- 2 Eye protection.
- 3 Gloves
- 4 Long-sleeved shirts or jackets
- 5 Long pants
- 6 Over-the-ankle boots

According to the actual weather, you may need extra apparel, such as anti-fog eye protection, thermal underwear and a face guard for cold weather. The operator must never wear loose clothing that may get entangled in the vehicle or on tree branches and shrubs.

Helmet and Eye Protection

An approved helmet can prevent a serious head injury if an accident occurs. Please note that even the best helmet is no guarantee against injury.

The helmet you choose should meet the standard for your country or area. A closed-face helmet with face shield will be better at preventing impacts from insects, flying rocks, dust and scattered debris, etc.



OPERATOR SAFETY

An open-face helmet cannot offer the same protection for your face and jaw. Please wear detachable face masks and goggles when wearing an open-face helmet.

Do not depend on eyeglasses or sunglasses for eye protection. They are not sufficient for impact protection. Debris may fly up or break the lens, causing eye injury.

Use tinted masks or goggles in the daytime only, do not use them at night or in poor illumination. They may impair your ability to distinguish colors. Do not use them if your color discrimination is affected.

Gloves

Full-finger gloves could protect your hands from wind, sun, heat, cold, and splash. Well-fitted gloves are helpful for steering and relieve hand fatigue. If the gloves are too heavy, it will be difficult to operate the vehicle.

A pair of strong off-roading gloves offer protection for your hands in the event of an accident or turnover. Snowmobile gloves offer better protection when operating in cold areas.

Jackets, Pants and Riding Suits

Wear a jacket or a long sleeved shirt and long pants, or a full riding suit. Quality protective gear will provide comfort, and it can help you avoid being distracted by adverse environmental elements. In case of an accident, good quality protective gear made of sturdy material may prevent or reduce injury.

In cool-weather riding, protect yourself against hypothermia. Hypothermia, a condition of low body temperature, can cause loss of concentration, slowed reactions and loss of smooth, precise muscle movement. In cool conditions, proper protective gear like a windproof jacket and insulated layers of clothing are essential. Even while riding at moderate temperatures, you can feel very cold due to the wind. Protective gear that is appropriate for cold-weather riding may be too hot when stopped. Dress in layers so that clothing can be removed as desired. Topping the protective gear with a windproof outer layer can prevent cold air from reaching the skin.

OPERATOR SAFETY

Boots

Always wear closed-toe, over-the-ankle boots. Sturdy over-the-ankle boots with non-slip soles offer more protection, and allow you to plant your foot properly on the foot pegs. Avoid long shoelaces that could get tangled in the vehicle components. For winter riding conditions, rubber-soled boots with either nylon or leather uppers and removable felt liners are best suited. Avoid rubber rain boots. Rubber rain boots may get trapped behind the foot brake pedal, impairing proper operation.

Other Riding Gear

Rain Gear

When riding in rainy weather, a rain suit or a waterproof riding suit is recommended. On long rides, it is a good idea to carry rain gear. Keeping clothes dry results in being much more comfortable and alert.

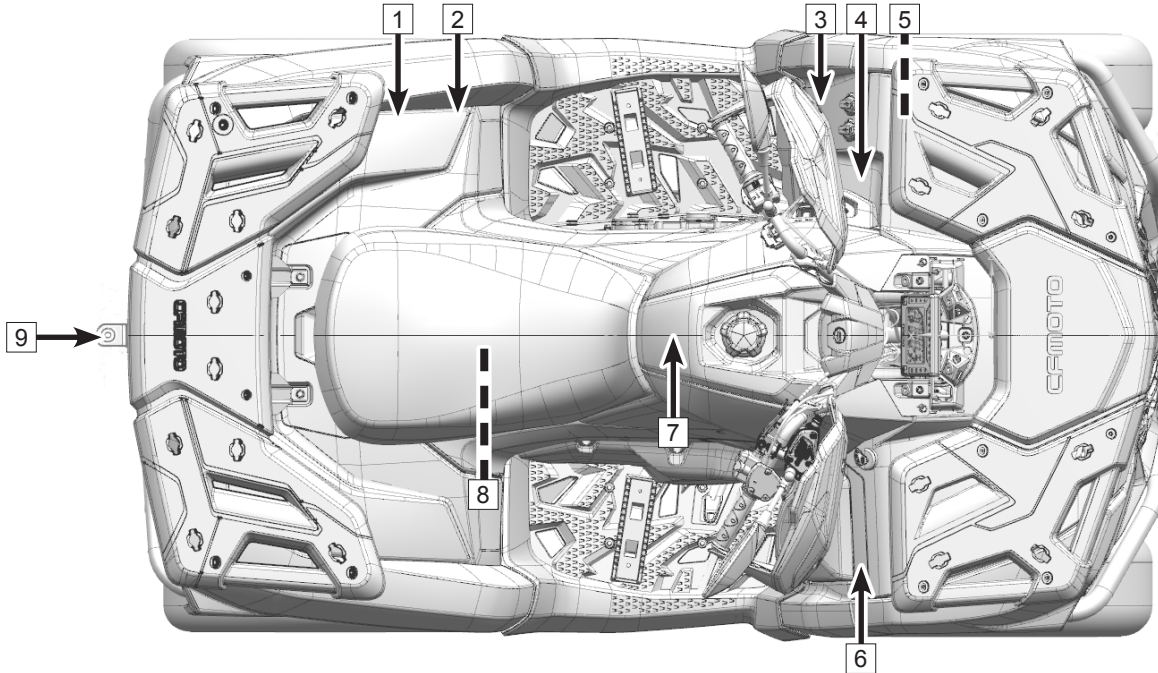
Hearing Protection

Long-term exposure to wind and engine noise when riding can cause permanent hearing loss. Properly worn hearing protective devices such as earplugs can help prevent hearing loss. Check local laws before using any hearing protective devices.

SAFETY DECALS & LOCATIONS

Safety Decals and Locations

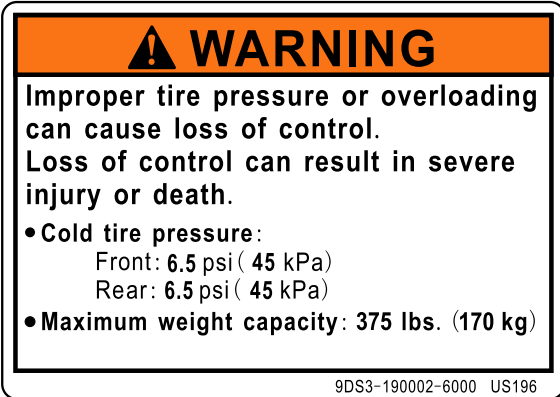
Warning decals have been placed on the ATV for your protection. Read and follow the instructions on each decal carefully. If a decal becomes illegible or comes off, contact your dealer to purchase a replacement.



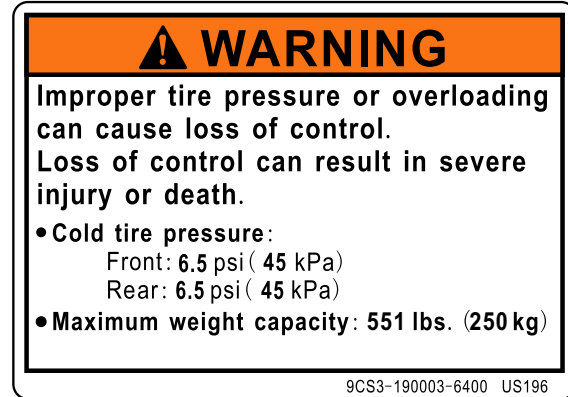
SAFETY DECALS & LOCATIONS

1

TYPE I



TYPE II



SAFETY DECALS & LOCATIONS

2

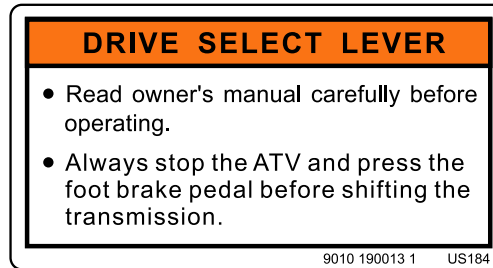
TYPE I



TYPE II



4



3



SAFETY DECALS & LOCATIONS

TYPE I

TYPE II

3

▲ **WARNING**

Improper ATV use can result in SEVERE INJURY or DEATH.



ALWAYS USE AN APPROVED HELMET AND PROTECTIVE GEAR



NEVER USE ON PUBLIC ROADS



NEVER CARRY PASSENGERS



NEVER USE WITH DRUGS OR ALCOHOL

NEVER operate :

- without proper training or instruction.
- at speeds too fast for your skills or the conditions.
- on public roads - a collision can occur with another vehicle.
- with a passenger - passengers affect balance and steering and increase risk of losing control.

ALWAYS :

- use proper riding techniques to avoid vehicle overturns on hills and rough terrain and in turns.
- avoid paved surfaces - pavement may seriously affect handling and control.

LOCATE AND READ OWNER'S MANUAL. FOLLOW ALL INSTRUCTIONS AND WARNINGS.

9DS3-190004-6000 US196

▲ **WARNING**

Improper use can result in SEVERE INJURY or DEATH



ALWAYS USE AN APPROVED HELMET AND PROTECTIVE GEAR FOR DRIVER AND PASSENGER



NEVER USE ON PUBLIC ROADS



NEVER CARRY MORE THAN 1 PASSENGER



NEVER USE WITH DRUGS OR ALCOHOL

NEVER operate :

- without proper ATV training or instruction.
- at speeds too fast for your skills or the conditions.
- on public roads - a collision can occur with another vehicle.
- with a passenger unless passenger seat is securely in place.

THE OPERATOR MUST ALWAYS :

- use proper riding techniques to avoid overturns on hills and rough terrain and in turns
- avoid paved surfaces - pavement may seriously affect handling and control
- reduce speed and use extra caution at all times when carrying a passenger - dismount passenger when conditions require
- make sure passenger reads and understands this label and passenger safety label

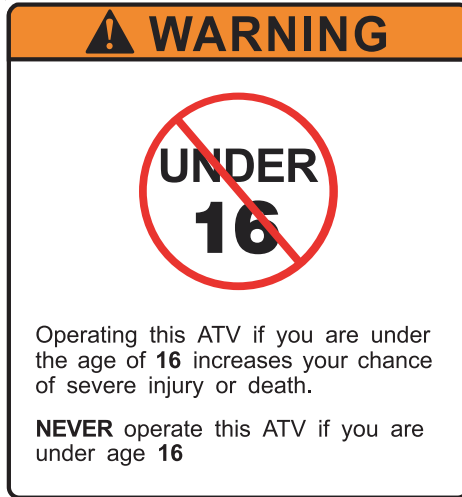
LOCATE AND READ OPERATOR'S MANUAL. FOLLOW ALL INSTRUCTIONS AND WARNINGS

9CS3-190004-6400 US196

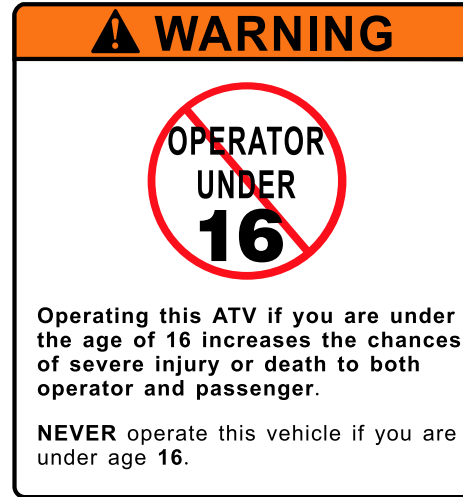
SAFETY DECALS & LOCATIONS

TYPE I

3



TYPE II



SAFETY DECALS & LOCATIONS

TYPE I

3



TYPE II



SAFETY DECALS & LOCATIONS

TYPE I

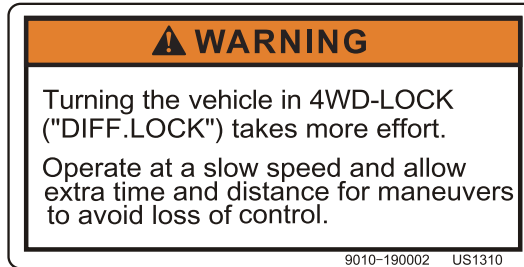
5



TYPE II



6

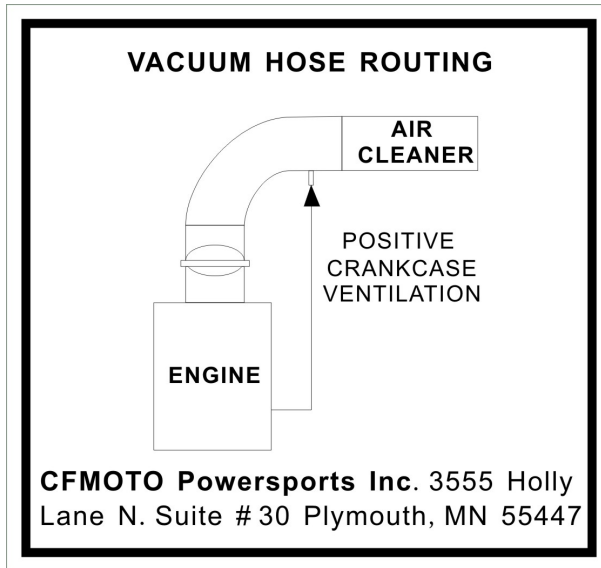


7

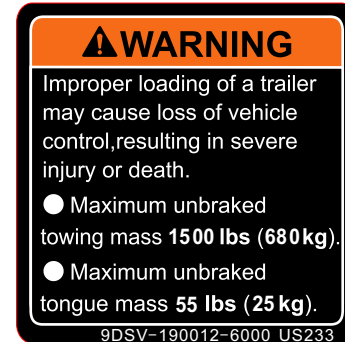


SAFETY DECALS & LOCATIONS

8



9



FEATURES & CONTROLS

Features & Controls

Left Hand Controls

1 Override Button

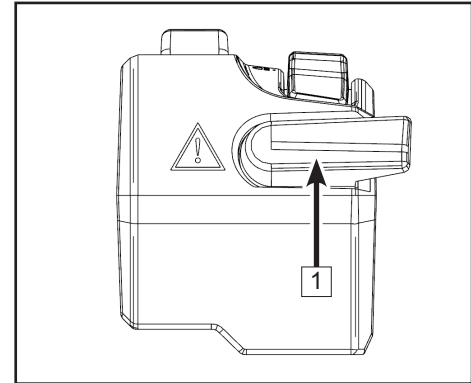
The engine is normally limited when operating in 4WD-LOCK

If conditions require more engine power in 4WD-LOCK:

- Release the throttle, then press and hold the override button **1** to cancel the speed limiting function. While this button is depressed, the override indicator light will be illuminated.
- Releasing the button restores the speed limiting function.

NOTICE

The override switch is unavailable when the vehicle is operating in reverse, 2WD or 4WD mode.



⚠ WARNING


When vehicle is in speed limit mode and the throttle is open, do not depress the override button.


Pressing the override button while the throttle is open can cause loss of control, resulting in severe injury or death. Always release the throttle before pressing the override button.

FEATURES & CONTROLS


2 Headlight Switch

The headlight switch consists of 4 positions:


: When the switch is at this position, Hi beam, front position light, tail light, and license plate light are on.

: When the switch is at this position, Lo beam, front position light, tail light, and license plate light are on.

OFF: When the switch is at this position, only daytime running light is on and all other lights are off.


: When the switch is at this position, daytime running light, tail light, and front position light are on.

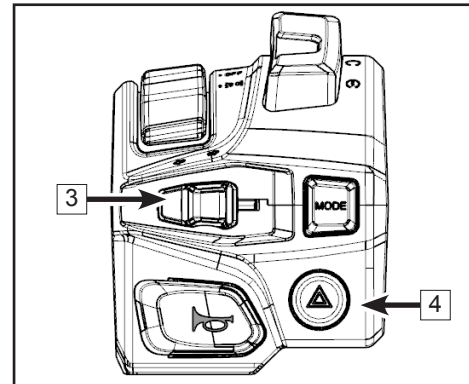
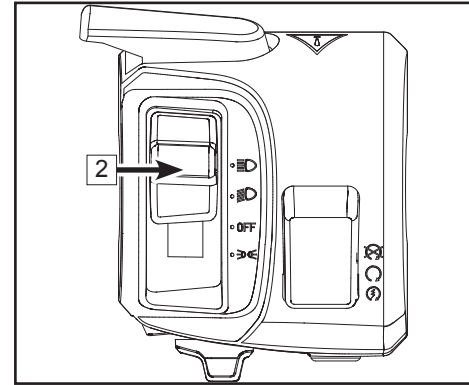
3 Turn Switch (If equipped)

Move the switch to  for left turn signal indicator on.

Move the switch to  for right turn signal indicator on.

4 Hazard Switch (If equipped)

Press the button . Front turn lights, rear turn lights and turn signal indicators on dashboard flash.



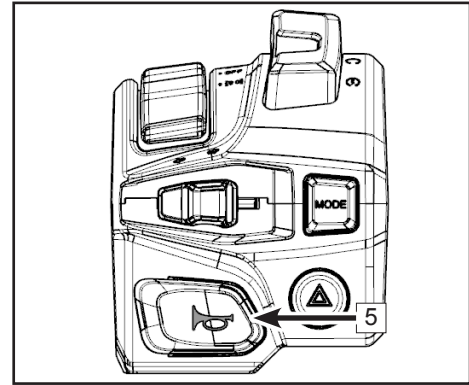
CAUTION

Do not use the headlights with the engine turned off for more than 15 minutes. The battery may discharge to a point that the starter motor will not operate properly. If this should happen, remove the battery and recharge it.

FEATURES & CONTROLS

5 Horn Button

 Press the button, the horn will sound.


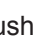


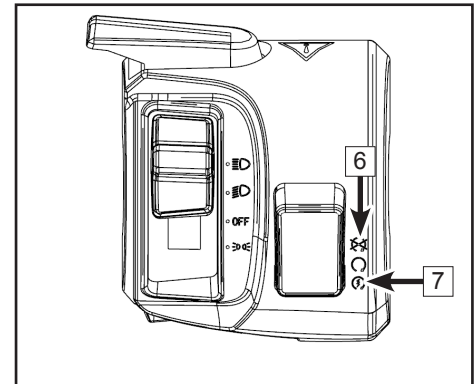
6 Engine Stop Switch

When the switch is at  position, the engine shuts off.

When the switch is at  position, the engine can be started.

7 Starter Switch

When the main switch is turned to ON, and the engine stop/start switch is at , push the momentary portion  of the engine stop/start switch to start the engine.



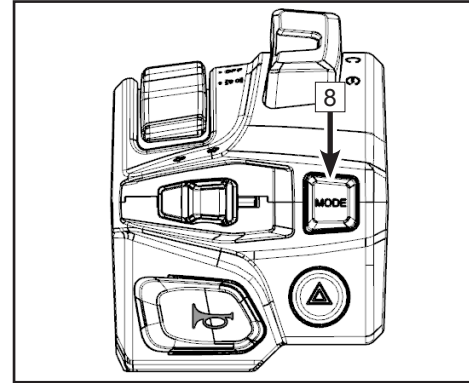
FEATURES & CONTROLS

8 Mode Button

When the MODE button is pressed, it will hold in or release out and a mode shift will be completed:

The following modes display on the dashboard, depending on the mode button position:

WORK	<p>When the button is pressed and released out, the vehicle is in 'WORK' mode. The dashboard display will also shift to 'WORK' mode. The vehicle will have a less aggressive throttle response for smooth starts and is intended for flat trails, hard pack ground, etc. Use for light-duty riding.</p> <p>NOTE: Do not use this mode for driving situations that place high load on the CVT belt. Damage may occur.</p>
NORMAL	<p>When the button is pressed in, the vehicle is in 'NORMAL' mode. The dashboard display will also shift to 'NORMAL' mode. The vehicle will have a faster throttle response.</p> <p>NOTE: Use this mode for work loads, complex terrain or trails, and other driving situations that can place a high load on the CVT belt.</p>



FEATURES & CONTROLS

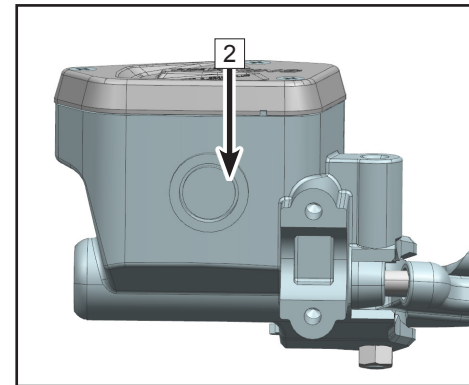
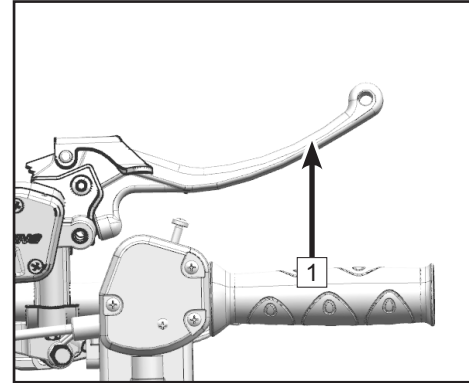
Right Hand Controls

1 Front Brake

The front brake lever is located on the right handlebar and controls only the front brakes. Pull it toward the handlebar to apply the front brake. When squeezed, the lever or pedal should feel firm. Any sponginess would indicate a possible fluid leak or low master cylinder fluid level, which must be corrected before riding. Contact your dealer for proper diagnosis and repairs.

2 Front Brake Fluid Reservoir And Level Indicator

Check the front brake master cylinder fluid level before each use of the ATV. The front brake master cylinder is located on the right handlebar. The fluid level can be viewed through the indicator window on the side of the master cylinder. If the fluid level is lower than the “lower” mark, refill with brake fluid as necessary.



⚠ WARNING

An over-full master cylinder may cause brake drag or brake lock-up, which could result in serious injury or death. Maintain brake fluid at the recommended level. Do not overfill.

FEATURES & CONTROLS

3 2WD / 4WD System Switch

This vehicle is equipped with on-command “2-WD”/”4-WD” and ”4-WD/F-LOCK” switches. Activate these switches according to the traction required for different driving conditions.

A: Switches two wheel drive (2-WD) and four wheel drive (4-WD).

B: Switches four wheel drive (4-WD) and four wheel drive lock (F-lock).

⚠ WARNING

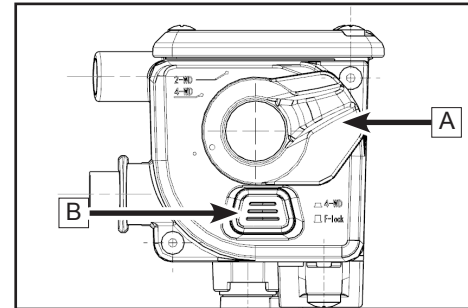
The vehicle should be stopped before applying or releasing the function of 2WD/4WD/F-lock. Applying or releasing drive modes while the vehicle is in motion can lead to component damage.

“F-lock” Operation

In “F-lock” mode, both front axles are locked together and rotate at the same speed to provide maximum front wheel traction. The steering will require more force for turning. The drive mode indicator on the dashboard will flash until front differential lock is engaged.

Riding before the differential is properly engaged (e.g. when the indicator light is flashing) will cause the engine speed to be limited until engagement is complete.

Maximum traveling speed in F-lock is limited to 22 mph (30 km/h). If conditions require full engine power to be available, press the override switch on the left control to disable speed limiting.



Vehicles without rear differential

FEATURES & CONTROLS

C(Select Markets): Switches rear wheel drive differential and rear wheel drive lock. This feature only applies to vehicles that are equipped with R-WD/R-Lock function.

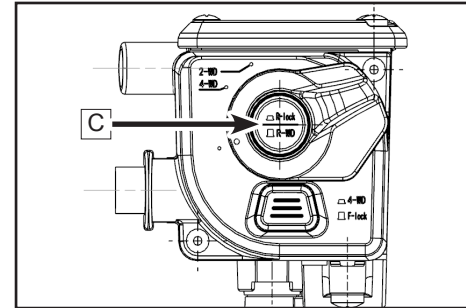
R-lock Operation

In “R-lock” mode, both rear axles are locked together and rotate at the same speed to provide maximum rear wheel traction. Turning effort and tire wear will be increased on hard surfaces. The drive mode indicator on the dashboard will flash until the rear differential lock is engaged.

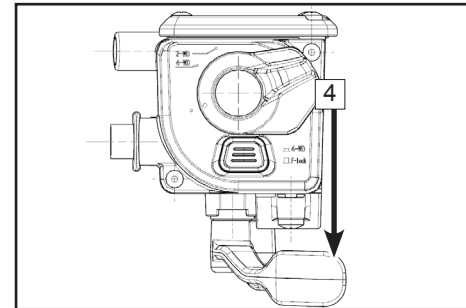
Riding before the differential is properly engaged (e.g. when the indicator light is flashing) will cause the engine speed to be limited until engagement is complete.

4 Throttle Lever

Once the engine is running, movement of the throttle lever will increase the engine speed. Regulate the speed of the machine by varying the throttle position. Because the throttle is spring loaded, the machine will decelerate, and the engine will return to an idle any time the hand is removed from the throttle lever. Before starting the engine, check the throttle to be sure it is operating smoothly. Make sure it returns to the idle position as soon as the lever is released.



Vehicles with rear differential



⚠ CAUTION

Check the operation of the throttle lever before you start the engine. If it does not work smoothly, check for the cause. Correct the problem before riding the ATV. Consult your dealer if you cannot find or solve the problem.

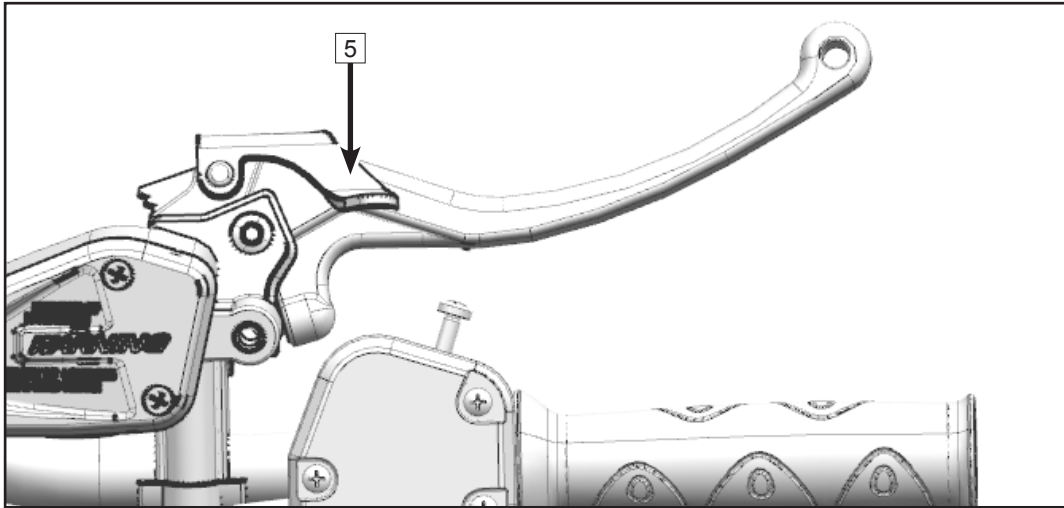
FEATURES & CONTROLS

5 Parking Brake

Hydraulic parking brake is mounted on the right hand brake. To apply parking brake, grasp tightly the right hand brake first, and press foot brake at the same time, then press the hydraulic parking brake 5 by left hand.

CAUTION

Do not to rely only on the hydraulic parking brake when parked on an incline. For additional safety, shift the transmission to the park position and block the wheels to prevent vehicle rolling.



FEATURES & CONTROLS

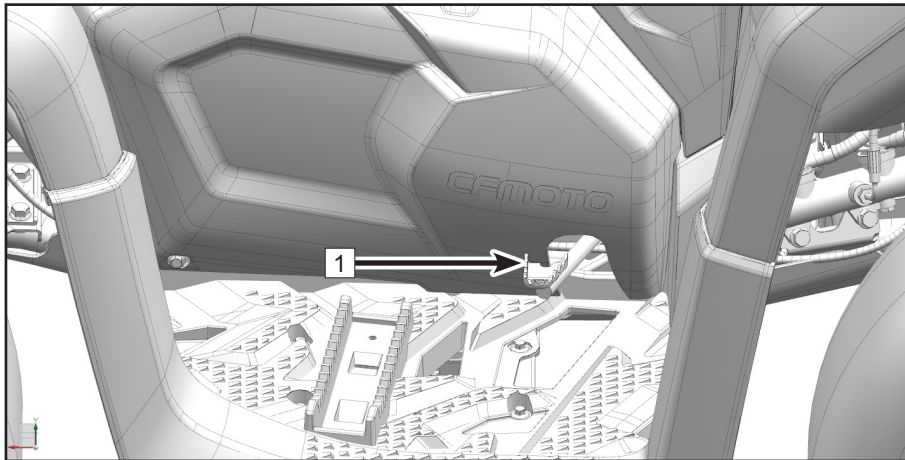
Foot Brake

The foot brake pedal **1** is located on the right side floor board of the vehicle. Pushing down on the pedal applies the front and rear brakes at the same time.

When applied, the pedal should feel firm. A soft brake pedal would indicate a possible fluid leak or low master cylinder fluid level, which must be corrected before riding. Contact your dealer for proper diagnosis and repairs.

⚠ WARNING

Operating the ATV with a spongy brake lever or pedal can result in loss of control, which could cause an accident. Never operate with a spongy-feeling brake lever or pedal.



FEATURES & CONTROLS

Foot Brake Reservoir Fluid Level Check

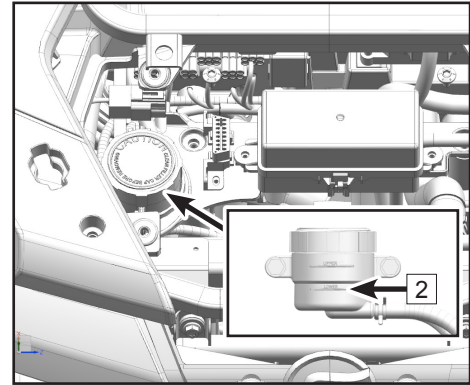
NOTE:

Remove the front access cover and then check the fluid level.

When checking the fluid level, the ATV must be on level ground. If fluid level is lower than the “lower” mark **2**, add DOT4 brake fluid. Don't overfill.

WARNING

Never store or use a partial bottle of brake fluid. Brake fluid is hygroscopic, meaning it rapidly absorbs moisture from the air. The moisture causes the drop of boiling temperature of the brake fluid, which can lead to early brake fade and the possibility of accident or severe injury. After opening a bottle of brake fluid, always discard any unused portion.



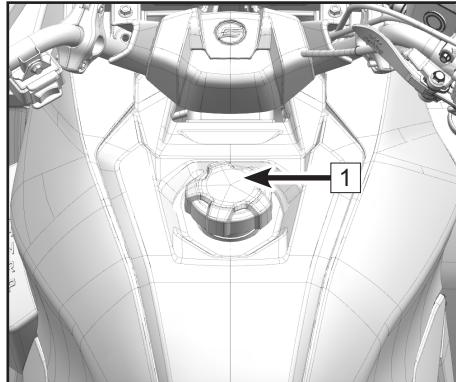
FEATURES & CONTROLS

Fuel Tank

Fuel tank cap is located at the front of the vehicle. Open the fuel tank cap **1** to fill fuel.

Fuel Minimum Octane Rating

The recommended fuel for your ATV is minimum 89 Octane unleaded (maximum 10% ethanol is allowed). Non-oxygenated (ethanol-free) fuel is recommended for best performance in all conditions.



FEATURES & CONTROLS

Fuel Safety

 **WARNING**

Gasoline is highly flammable and explosive under certain conditions.

- Always exercise extreme caution whenever handling gasoline.
- Always refuel with the engine stopped, and outdoors or in a well ventilated area.
- Never carry a plastic container with gasoline in the racks while riding. Static electricity between the rack and container could cause a spark.
- Do not smoke or allow open flames or sparks in or near the area where refueling is performed, or where gasoline is stored.
- Do not overfill the tank. Do not fill the tank neck.
- If gasoline spills on your skin or clothing, immediately wash it off with soap and water and change clothing.
- Never start the engine or let it run in an enclosed area. Engine exhaust fumes are poisonous and can cause loss of consciousness or death in a short time.

 **WARNING**

The engine exhaust from this product contains chemicals known to cause cancer, birth defects or other reproductive harm. Operate this vehicle only outdoors or in well-ventilated areas.

FEATURES & CONTROLS

Transmission Gear Selector

The transmission gear selector 1 is located on the left side of the vehicle.

CAUTION

Always stop the ATV and press the foot brake pedal before shifting the transmission. Shifting gears with the engine speed above idle or while the vehicle is moving could cause transmission damage.

L – Low Gear. The low speed range of the gearbox. It allows the vehicle to move slowly with maximum torque at the wheels.

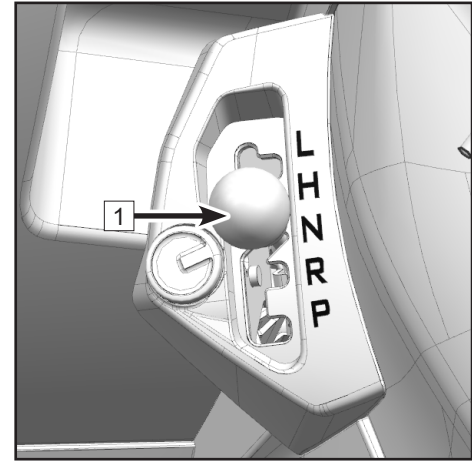
NOTICE: To avoid damage to the CVT system, always use low gear for constant slow travel, to pull a trailer, carry heavy cargo, go over obstacles, or drive up and down hills.

H – High Gear. The high speed range of the gearbox. It is the normal driving speed range. It allows the vehicle to reach its maximum speed.

N – Neutral. In neutral position the engine power output is disengaged.

R – Reverse. The reverse gear position allows the vehicle to go backwards. Speed is limited in reverse.

P – Park. The park position locks the gearbox to help prevent vehicle from movement.



L: Low Gear
H: High Gear
N: Neutral
R: Reverse
P: Park

FEATURES & CONTROLS

Parking

To park the ATV, stop the engine, press the foot brake, and shift the gear selector lever into the park position.

⚠ CAUTION

When shifting the transmission in PARK, always push the brake pedal. Shake the vehicle forward and backward to verify that park is engaged.

Do not transport the vehicle with the gear selector in the PARK position. Damage to the transmission may result.

Important Safeguards

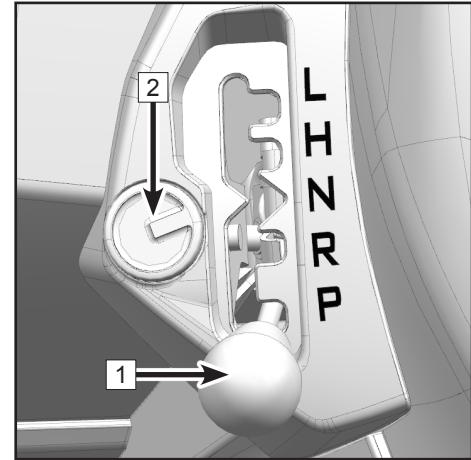
- Never depend on the parking feature alone if the ATV is parked on a hill. Always block the wheels on the downhill side of the ATV to prevent rolling. It is recommended to park the ATV on level ground.

Gear selector lock (If equipped)

The gear selector lock **2** is used for locking the transmission to prevent the vehicle from theft.

When the vehicle needs to be left for long time or stopped outside, shift the gear selector **1** into “P” and lock the transmission using the gear selector lock **2** to prevent theft.

With the gear selector in the parking position, lift the lock cover, then insert the key and turn it 180° clockwise. The gear selector will be locked.



FEATURES & CONTROLS

CVT System

This vehicle has a Continuously Variable Transmission (CVT) system that utilizes a belt and clutch pulleys to automatically vary transmission ratios, allowing infinite variability between the highest and lowest vehicle speeds with no discrete steps or shifts.

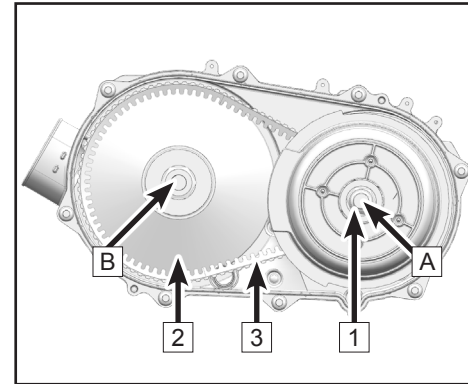
The CVT consists of a primary clutch [1], which is an advanced form of centrifugal clutch that is mounted to the engine crankshaft [A]. The primary clutch also contains a one-way bearing that creates an engine braking feature to slow the vehicle without having to use the hand or foot brake.

The secondary clutch [2] is mounted to the input shaft of the transmission [B] and serves two functions: As a “slave” pulley to the primary clutch, and to provide a torque sensing element. The drive belt [3] is a heavy duty V-belt that connects the engine and transmission pulleys.

A CVT housing and cover encloses the clutches and belt assembly. It has inlet and outlet cooling ducts that route air to cool the components, and they should be inspected. The CVT components do not contain any user maintenance items. Contact your dealer for service.

NOTE:

To extend belt life, use low forward gear in heavy pulling situations and when operating at less than 12 mph (19 km/h) for extended periods of time. If towing the vehicle becomes necessary, shift the transmission into neutral for better mobility and to prevent damage to the belt.



FEATURES & CONTROLS

Engine Braking System (EBS)

This vehicle is equipped with an engine braking system. The CVT primary clutch mounted to the engine crankshaft contains a one-way bearing that creates engine braking, which occurs when the throttle is completely closed, the engine is below the primary clutch engagement RPM, and the vehicle is at speed. It uses the engine's compression/resistive force to slow the over-driving transmission speed via the CVT drive belt, thereby slowing the entire vehicle gradually.

Engine braking is always active, and offers the most benefit when:

Used in conjunction with 4WD and 4WD Diff-Lock Modes.

Descending steep or slippery hills.

Descending rocky downhill terrain.

Slowing while towing heavy loads.

Assisting normal brake system application.

EBS is not a substitute for the vehicle brake system, although increased brake pad and disc life are realized when EBS assists normal brake system operation. The EBS is non-adjustable, and does not contain any user maintenance items. Contact your dealer for service.

FEATURES & CONTROLS

How To Avoid CVT Drive Belt and Component Failure

CVT clutch and belt life can be dramatically extended by avoiding these common operating mistakes:

Causes CVT Damage	How To Avoid CVT Failure
Attempting to load the vehicle onto a truck bed or tall trailer in high gear.	Shift transmission to low gear during loading of the ATV to prevent belt burning.
Starting out on a steep incline in high gear.	When starting out on an incline, use low gear or dismount the ATV (after first applying the park brake) and perform the K- turn.
Constant driving at low RPM, driving at just above clutch engagement RPM, or at low speed (Less than 12 mph [19 km/h]) in high gear.	Use low gear for cooler CVT operating temperatures and longer component life. Drive at higher speeds or use low gear more frequently.
Insufficient warm-up of CVT exposed to low ambient temperatures.	Warm the engine before driving, the CVT drive belt will become more flexible and prevent belt burning.
Slow and easy CVT clutch engagement.	Use the throttle with purpose and effectively for efficient CVT clutch engagement.
Towing/pushing at low RPM/low ground speed.	Use low gear only.
Utility use/plowing snow, dirt, etc.	Use low gear only.
Heavy vehicle load operating at low speed	Use low gear only.

FEATURES & CONTROLS

Causes CVT Damage	How To Avoid CVT Failure
Stuck in mud or snow.	Shift the transmission to low gear, and carefully use fast, aggressive throttle application to engage clutch. WARNING: Excessive throttle may cause loss of control and vehicle overturn.
Climbing over large objects from a stopped position.	Shift the transmission to low gear, and carefully use fast, brief, aggressive throttle application to engage clutch. WARNING: Excessive throttle may cause loss of control and vehicle overturn.
Belt slipping from water or snow ingestion into the CVT system.	Drain the water from the CVT housing and dry the CVT if possible, or contact your dealer.
Overheating of the CVT components causes malfunction.	Contact your dealer for inspection and repair of the CVT components.

FEATURES & CONTROLS

Vehicle Features

Main Switch 1

The functions of the main key switch positions are as follows:

⌚ : All electrical circuits are switched on. The engine can be started at this position. The key cannot be removed in this position.

⊗ : All electrical circuits are switched off. The key can be removed in this position.

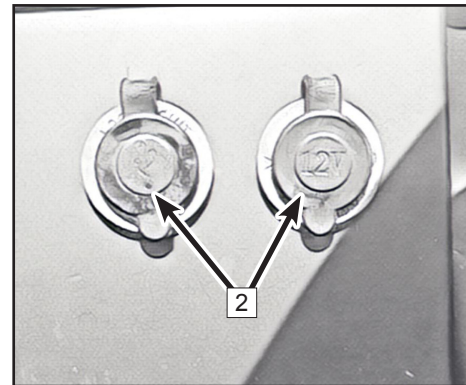
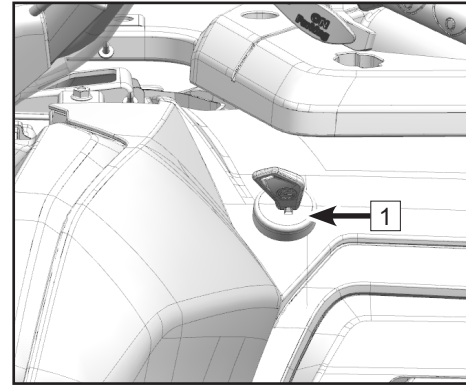
The 'P' position has no function in select markets.

NOTE:

Remove and store the spare key in a safe place. Your key can be duplicated only by mating a key blank with one of your existing keys. If both keys are lost, the complete switch assembly must be replaced.

Power Socket and USB Outlet 2

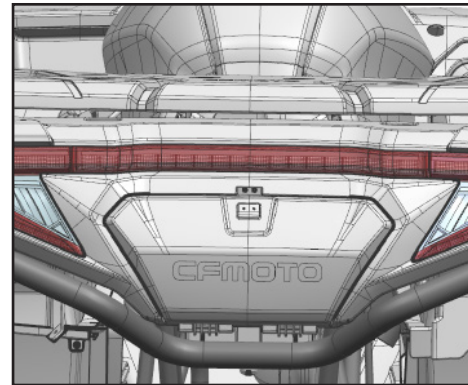
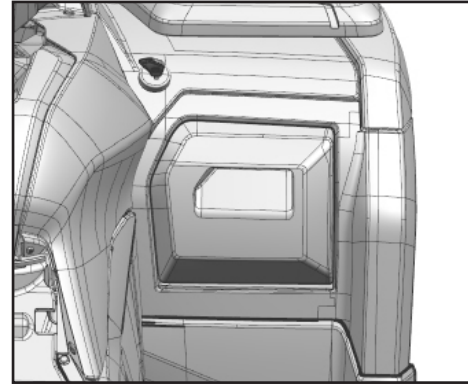
Auxiliary 12Vdc power and USB outlets are provided on the left side front fender area for operating accessories such as hand held spot lights and charging electronic devices. Please consult with your dealer on the use of powered accessories with your vehicle.



FEATURES & CONTROLS

Front Storage Box / Rear Storage Box

This vehicle is equipped with storage boxes on the front right side and the rear position.



FEATURES & CONTROLS

Trailer Power Socket (If equipped) 1

Depending on market configuration, this vehicle is equipped with 7-pin trailer power socket 1, located at the rear of the vehicle. The socket wires are configured to the standard shown in the image. An accessory trailer power socket and converter is required for trailers that do not have a 7-pin connector. Contact your dealer for more information.

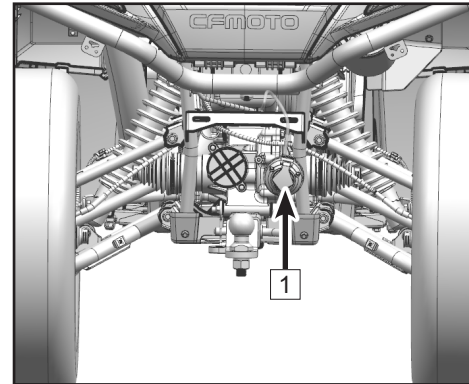
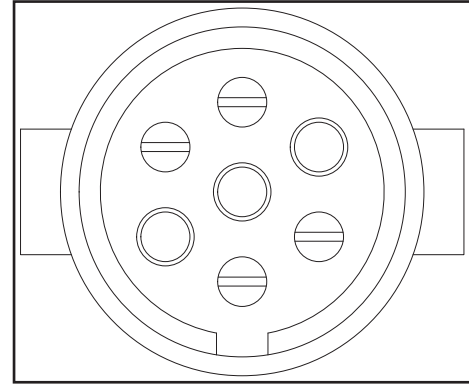
CAUTION

When equipped, the unilateral turning light power draw at the trailer power socket should be always within 1W~21W.

CFMOTO recommends checking your trailer's power requirement to ensure it is within the power range to prevent turning light failure.

Towing

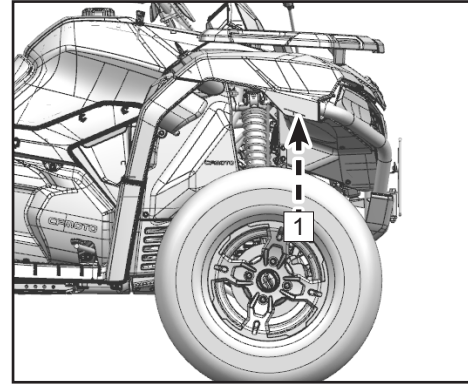
This vehicle is equipped with a hitch receiver for towing trailers. Please consult with your dealer about towing, the use of trailers, and available accessories for connecting a trailer to the vehicle.



FEATURES & CONTROLS

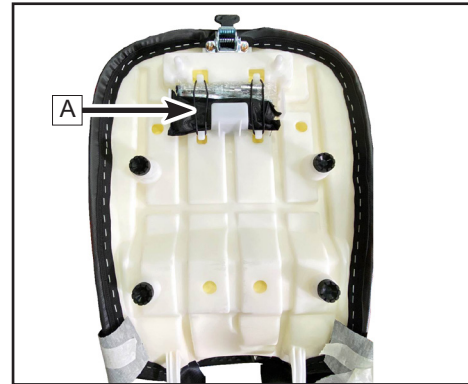
Telematics BOX (T-BOX) (If equipped) - 1

Depending on market requirement, this CFMOTO vehicle is equipped with an intelligent vehicle terminal, or T-Box 1 that builds a communication bridge between the owner and vehicle through the CFMOTO RIDE APP installed on a mobile device. The CFMOTO RIDE APP is available for download from the Apple App Store or Google Play for Android. Contact an authorized dealer in your market to determine if your vehicle is T-box equipped.



Tool Kit

Tool Kit A is located under the seat.



FEATURES & CONTROLS

Winch

This vehicle is equipped with a 3500-lb winch. The winch control is located on the left handle bar. To preserve battery power, only operate the winch when the engine is running. Please refer to the winch operation section of this manual or consult with your dealer on the use of the winch before using your vehicle.

GENERAL SAFETY PRECAUTIONS REGARDING WINCH USE

Moving Part Hazards

To prevent serious injury and property damage:

- Do not operate a winch without reading and understanding the instructions located in the winch operation section of this manual.
- Keep hands clear of wire rope, hook and fairlead opening during operation.
- Always use the supplied hook strap for applying tension when spooling in wire rope.
- Stand clear of wire rope and load during operation.
- Keep others away.
- Inspect winch installation and wire rope condition before operating the winch.
- Do not use the winch as a hoist.
- Do not use the winch to move people.
- Do not exceed the rated capacity of the winch.
- Never touch wire rope or hook while in tension.
- Be certain the anchor point you select will withstand load.
- Never attach wire rope back onto itself. Use a chain or tree trunk protector on the anchor point.

FEATURES & CONTROLS

- Prior to initiating a winching operation, be sure any element which can interfere with safe winching is removed.
- Do not disengage the winch drum when it is under load or the wire rope is in tension.
- Take your time. Poor rigging of the wire rope and load causes accidents.
- The wire rope must always spool onto the drum in the direction indicated by the rotation indicator.

To avoid injury and property damage:

- Do not use the winch to secure the vehicle or a load for transport.
- Do not submerge the winch in water.
- Do not use the winch to tow other vehicles.
- Wear heavy leather gloves when handling the wire rope.
- Never winch with less than 5 wraps of wire rope around the drum.
- Caution should be used if the vehicle is tied down for a winching operation. This may lead to damage to the frame.

FEATURES & CONTROLS

Winch Operation

(Select Markets) Your vehicle may be equipped with a winch that can pull certain capacities and types of loads. It is useful for vehicle self-recovery when stuck, assisting another vehicle in recovery, moving fallen trees, removing brush, etc.

Consider practicing the operation and use of your winch before you actually need to use it.

The safety warnings, operating precautions and instructions in this section apply if your vehicle came equipped with a winch, or if you choose to install an accessory winch on your vehicle:

Winch Safety Warnings

These safety warnings apply if your vehicle is equipped with a winch, or if you choose to install an accessory winch on your vehicle:

- Read and understand all sections of this manual.
- Improper winch use or failure to correctly follow the winch guidelines, instructions, and warnings in this manual can result in SEVERE INJURY or DEATH.
- Improper or lack of winch maintenance and service could lead to SEVERE INJURY or DEATH.
- Always keep body, hair, clothing, and jewelry clear of the winch cable, fairlead, and hook during winch operation.
- Always keep the area around the vehicle, winch, winch cable and load clear of people, pets, and distractions during winch operation.
- Always wear eye protection and heavy gloves during winch operation.
- Never use alcohol or drugs before or while operating the winch.

FEATURES & CONTROLS

- Never allow children under 16 years of age to operate the winch.
- Never attempt to “jerk” a load attached to the winch by moving the vehicle.
- Never winch up or down, or to the sides at sharp angles. This can destabilize the winching vehicle and possibly cause it to move without warning.
- Never attempt to winch loads that weigh more than the winch capacity rating.
- Never touch, push, pull, or straddle the cable while winching a load.
- Never let the winch cable run through your hands, even if wearing heavy gloves.
- Never release the drum on the winch when the winch cable is under load.
- Never use the winch for lifting or transporting people.
- Never use the winch to hoist or suspend a vertical load.
- Never retract the hook fully into the winch. This can cause damage to system components.
- Never operate the winch or the vehicle if they are in need of repair or service.
- Always turn the ignition switch OFF and unplug the remote control (if equipped) to prevent inadvertent activation or unauthorized use when the vehicle or winch are not being used.

Winch Operating Precautions

These operating precautions should always be followed if your vehicle is equipped with a winch, or if you choose to install an accessory winch on your vehicle:

- Always inspect your winch and winch cable before each use.
- Always use the provided hook strap when pulling cable out or guiding cable in. Never grab the hook.
- Always align the load directly in front of the vehicle and winch as much as possible. Avoid winching with the cable at a sharp angle to the winching vehicle’s centerline whenever possible.

FEATURES & CONTROLS

- If winching at an angle is unavoidable, follow these precautions while operating:
- A. Look at the winch drum occasionally. Never let the winch cable “stack” or accumulate at one end of the drum. Too much cable at one end of the drum can damage the winch and cable.
- B. If cable stacking occurs, stop winching. Follow the ‘Winch Cable Spooling Guidelines’ section in this manual to redistribute the cable evenly before continuing.
- Always apply the vehicle’s park brake and/or park mechanism to hold the vehicle in place during winching. Use wheel chocks when necessary.
- Always maintain at least five full turns of cable wrapped around the winch drum at all times. The friction provided by the wrapped cable allows the drum to pull on the winch cable and move the load.
- Never grease or oil the winch cable. This will cause the winch cable to collect debris that will shorten the life of the cable.
- The winch motor and relay connector may become hot during continuous use. When winching for more than 45 seconds, or if the winch stalls during operation, stop and allow the winch components to cool for a minimum of 10 minutes before using it again.
- Never operate the winch without running the engine. The engine’s charging system helps keep the battery maintained. Battery reserve capacity can be quickly exhausted by heavy winch use, rendering the starting system inoperable.
- Always operate with concern for the environment. Do not purposely damage trees, etc.

Basic Winch Operation

Follow these operating instructions if your vehicle is equipped with a winch, or if you choose to install an accessory winch on your vehicle. Read *Winch Safety Warnings and Winch Operating Precautions* on the preceding pages before using your winch.

FEATURES & CONTROLS

BEFORE YOU BEGIN - Realize that each winching situation is unique:

- Take your time to think through the winch operation you are about to perform.
 - Proceed slowly and deliberately.
 - Never hurry or rush during winching.
 - Always pay attention to your surroundings.
 - Be prepared to change your winching strategy if it is not working.
 - Remember that although your winch is very powerful, there are simply some situations that you and the winch will not be able to deal with. Do not be afraid to ask others for help when necessary.
1. Always inspect the vehicle, winch, cable and controls for signs of damage or parts in need of repair before each use. Pay particular attention to the first 3 feet (1 meter) of winch cable if the winch is used (or has been used) for lifting a plow. Promptly replace any worn or damaged cable.
 2. Apply the vehicle's park brake and/or park mechanism to hold the vehicle in place during winching. Use wheel chocks when necessary.
 3. Release the winch drum and pull out the required length of cable. Always use the hook strap to handle the hook. Never remove the hook strap from the hook.

CAUTION

Always maintain a minimum of five (5) full turns of cable around the winch drum at all times. The friction provided by wrapping cable allows the drum to pull on the cable and move the load.

Attach the hook onto the load, or use a tow strap or chain to secure the load to the winch hook. Never hook the winch cable back onto itself. This can damage the winch cable and result in cable failure.

FEATURES & CONTROLS

WARNING

Never use a 'recovery strap' for winching. Recovery straps are designed to stretch and could release excessive energy that can result in SEVERE INJURY or DEATH if the strap or winch cable breaks. Use only undamaged tow straps or chains that do not stretch.

5. Re-engage the winch drum.
6. Slowly winch in slack of the winch cable until it is gone, then stop and follow the instructions for 'winch damping' to ensure safe operation:
 - A. Place a damper on the mid-point of winch cable length to absorb energy that could be released by a winch cable failure. A damper can be a heavy jacket, tarp, or other soft, dense object. A damper can absorb much of the energy released if the cable breaks during winching. Even a tree limb can help as a damper if no other items are available to you.
 - B. Lay the damper on top of the mid-point of the winch cable length.
 - C. On a long pull, it may be necessary to stop winching so the damper can be repositioned to a new mid-point. Always release the tension on the winch cable before repositioning the damper.
 - D. Avoid being directly in line with the winch cable whenever possible. Also, never permit others to stand near or in line with the winch cable during winch operation.
7. Stop winching as soon as the job is completed or the load can be moved without the help of the winch.
8. Detach the winch hook, then rewind the cable evenly back onto the drum following the instructions in this manual.

FEATURES & CONTROLS

Vehicle Recovery Methods

Vehicle Self-Recovery:

- A. Release the winch drum and pull out the required length of cable.
- B. Whenever possible, pick an anchor point that aligns the winch cable to the vehicle's centerline as close as possible. This will help the spooling of the winch cable and reduce the load on the fairlead.
- C. Attach the winch hook to an anchor point. **NOTE::** If freeing a stuck vehicle by attaching to a tree, use an item such as a tow strap to avoid damaging the tree during winch operation. Sharp cables and chains can damage and even kill trees. Always respect the environment.
- D. Re-engage the winch drum.
- E. Slowly winch in any slack in the winch cable, then damper it.
- F. Shift to the lowest gear available that will propel the vehicle in the direction of winching.
- G. Carefully apply winch power and throttle together to free the vehicle.

CAUTION

Using the vehicle throttle and winching at the same time has risk and is optional. Place the vehicle in neutral and use only the winch if unsure of your operating abilities

- H. Stop winching as soon as the stuck vehicle is able to propel itself without the help of the winch.
- I. Detach the winch hook, then rewind the cable evenly back onto the drum following the instructions in this manual.

CAUTION

The ONLY time a winch-equipped vehicle should be moving and using the winch is for self-recovery. The winch-equipped vehicle should NEVER use motion to “shock-load” the winch cable in an attempt to recover a second stuck vehicle. See ‘Winch Shock Loading’ section in this manual for more information.

FEATURES & CONTROLS

Recovery of Another Vehicle:

- A. Release the winch drum and pull out the necessary length of cable.
- B. Attach the winch hook to the vehicle. Whenever possible, pick an anchor point on the stuck vehicle that aligns the winch cable to the winching vehicle's centerline as close as possible. This will help the spooling of the winch cable and reduce the load on the fairlead.

CAUTION

Never attach the winch hook to a suspension component, brush guard, bumper or cargo rack. Vehicle damage may result. Always attach the hook to the strongest available portion of the vehicle frame or hitch.

- C. Re-engage the winch drum.
- D. Slowly winch in any slack in the winch cable, then damper it.
- E. Shift to the lowest gear available on the stuck vehicle that will propel it in the direction of winching.
- F. Carefully apply winch power and the stuck vehicle's throttle together to free it.
- G. Stop winching as soon as the stuck vehicle is able to propel itself without the help of the winch.
- H. Detach the winch hook, then rewind the cable evenly back onto the drum following the instructions in this manual.

Winch Cable Care

Always inspect your winch cable before each use for worn or kinked winch cable. Never use a cable that is damaged. Follow these guidelines for inspection and use:

- A winch cable made of wire rope that is kinked, deformed, or bent is permanently and severely damaged. Promptly discontinue use of a winch cable in this condition.

FEATURES & CONTROLS

- A kinked winch cable made of wire rope that has been “straightened out”, even though it may look usable, has been permanently and severely damaged. It can no longer achieve its load capacity rating. Promptly discontinue use of a winch cable in this condition.
- A winch cable made of synthetic rope should be inspected for signs of fraying. Replace the cable if fraying is observed. Promptly discontinue use of a winch cable in this condition.
- Replace synthetic winch cable if fused or melted fibers are discovered. The synthetic rope will be stiff and appear smooth or glazed in the damaged section. Promptly discontinue use of a winch cable in this condition.
- Never replace a synthetic winch cable with consumer-grade polymer rope. Only use cable that is specifically designed for winch use.
- Never grease or oil a wire rope winch cable. This will cause the cable to collect debris that will shorten the life of the cable.
- Never operate the winch with a damaged hook or latch. Always replace damaged parts before using the winch.

WARNING

Replace the winch cable and components at the first sign of damage to prevent SEVERE INJURY or DEATH in the event of failure.

Winch Cable Spooling Guidelines

After winching is complete, especially if winching at an angle, it may be necessary to respool the winch cable evenly across the drum. This reduces the chances of the winch cable “wedging” itself between lower layers of cable. You will need an assistant to perform this task:

- A. Release the winch drum.

FEATURES & CONTROLS

- B. Pull out the winch cable that is wrapped unevenly onto the drum.
- C. Re-engage the winch drum.
- D. Have an assistant pull the winch cable hook strap tightly to apply about 100 lbs. (45 kg) of tension.
- E. Slowly winch the cable in while the assistant moves the end of the cable back and forth horizontally to evenly distribute it onto the drum.

Winch 'Shock Loading'

Your winch (if equipped) is designed and tested to withstand the loads produced when operated from a stationary vehicle. Always remember that the winch, cable and components are NOT designed for shock loading. Follow these guidelines:

- Never attempt to “jerk” a load with the winch. For example, never take up cable slack by moving the winching vehicle in an attempt to move an object. This is a dangerous practice that generates high loads which may exceed the strength of the components. Even a slow moving vehicle can create a large shock load which can cause damage.
- Never quickly turn the winch ON and OFF repeatedly (“jogging”). This is a form of shock loading. This puts extra load on the winch components, the cable, and generates excessive heat in the motor and relay assembly.
- Never tow a vehicle or other object with your winch. Towing with a winch produces shock loading even when towing at slow speeds. Towing from the winch also positions the towing force high on the vehicle, which can cause vehicle instability and the possibility of an accident.

FEATURES & CONTROLS

- Never use recovery straps with your winch. This is a form of shock loading. Recovery straps are designed to stretch and can store energy. Stored energy in the recovery strap is released if a failure occurs, making the event even more hazardous. Similarly, never use elastic “bungie” cords for winching.
- Never use the winch to tie down the vehicle to a trailer or other transporting unit. This is a form of shock loading that can cause damage to the winch components, the cable, or the transporting unit.

FEATURES & CONTROLS

Front panel access

Your vehicle is equipped with an access panel on the front rack.

To remove the panel:

1. Lift and pull the rubber retaining strap away from the panel until the strap releases from the front tab.
2. Lift up on the nose of the panel. Slide the panel upward toward you and away from the rack.

To reinstall the panel:

1. Align the tabs at the rear of the cover into the rack and place the cover into the rack opening.
2. Press down on the center of the cover.
3. Lift and push the rubber retaining strap onto the front panel tab to secure it.

Rear storage

Your vehicle is equipped with a storage compartment at the rear of the vehicle.

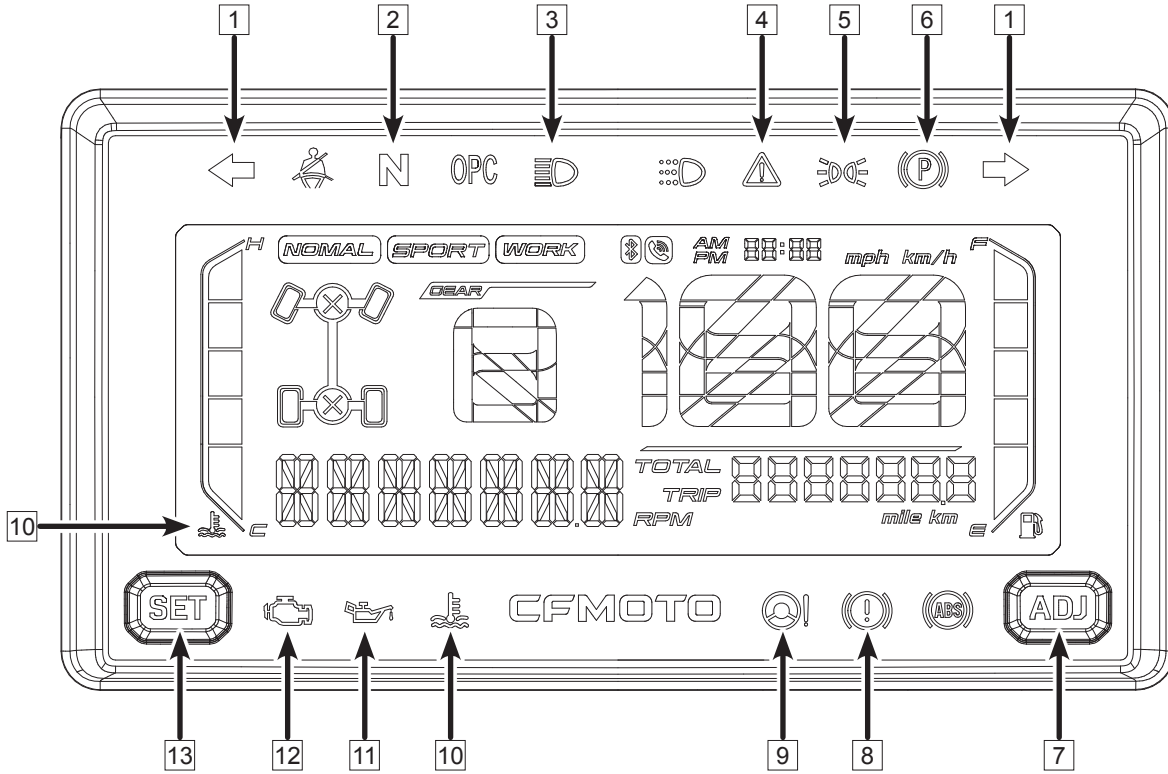
To open:

1. Lift and pull the rubber retaining strap away from the cover until the strap releases from the tab.
2. Pull the cover toward you.

To close:

1. Secure the cover onto the opening.
2. Press on the center of the cover.
3. Lift and pull the rubber retaining strap onto the cover tab to secure it.

FEATURES & CONTROLS



FEATURES & CONTROLS

Dashboard Indicators and Operation

1	Turning light	6	Parking brake indicator	11	Oil pressure signal indicator
2	Neutral indicator	7	ADJ - mode adjust button	12	EFI fault indicator
3	High beam indicator	8	Brake fault warning indicator	13	SEL - mode select button
4	Override indicator	9	EPS indicator		
5	Position light	10	Coolant temp. warning indicator		

NOTE:

Turning light is available only in select countries.

FEATURES & CONTROLS

Indicators and Warnings

1. Turning Light (If equipped)

When switch turns to right turning light position, the right turning indicator will be on.

When switch turns to left turning light position, the left turning indicator will be on.

2. Neutral indicator

This indicator displays when the transmission is in neutral position.

3. High Beam Indicator

This indicator illuminates when the headlight switch turns to high beam position.

4. Override Indicator

When pressing the override button, the indicator is on and 4WD-LOCK speed limitation will be released in this state.

5. Position Light Indicator

This indicator illuminates when the light switch turns to position light.

6. Parking Brake Indicator

This indicator displays when parking brake function is activated.

7. ADJ - Mode Adjust Button

Use this key together with “SEL” key to set the information on dashboard.

FEATURES & CONTROLS

8. Brake Fault Warning Indicator

This indicator displays when brake fluid level is very low. Add DOT4 brake fluid and contact your dealer. Low brake fluid level may lead to air in the brake system, causing brake fault and lead to serious accident.

9. EPS Indicator

The indicator will be on when a fault occurs in the Electronic Power Steering system. Please stop the vehicle and contact your dealer to inspect and eliminate the fault. Continuing to operate could lead to permanent EPS damage and increase the steering force.

10. Coolant Temperature Warning Indicator

Both over-low and over-high of the coolant temperature are abnormal. Idle the vehicle to warm the engine when it's too cold, and park the vehicle when it's too hot to prevent the coolant from boiling. Keep the coolant temperature in a normal range.

11. Oil Pressure Indicator

The oil pressure indicator is on when the oil pressure is very low. Please have your vehicle stopped safely at once when the indicator is on, and contact your dealer to eliminate the fault.

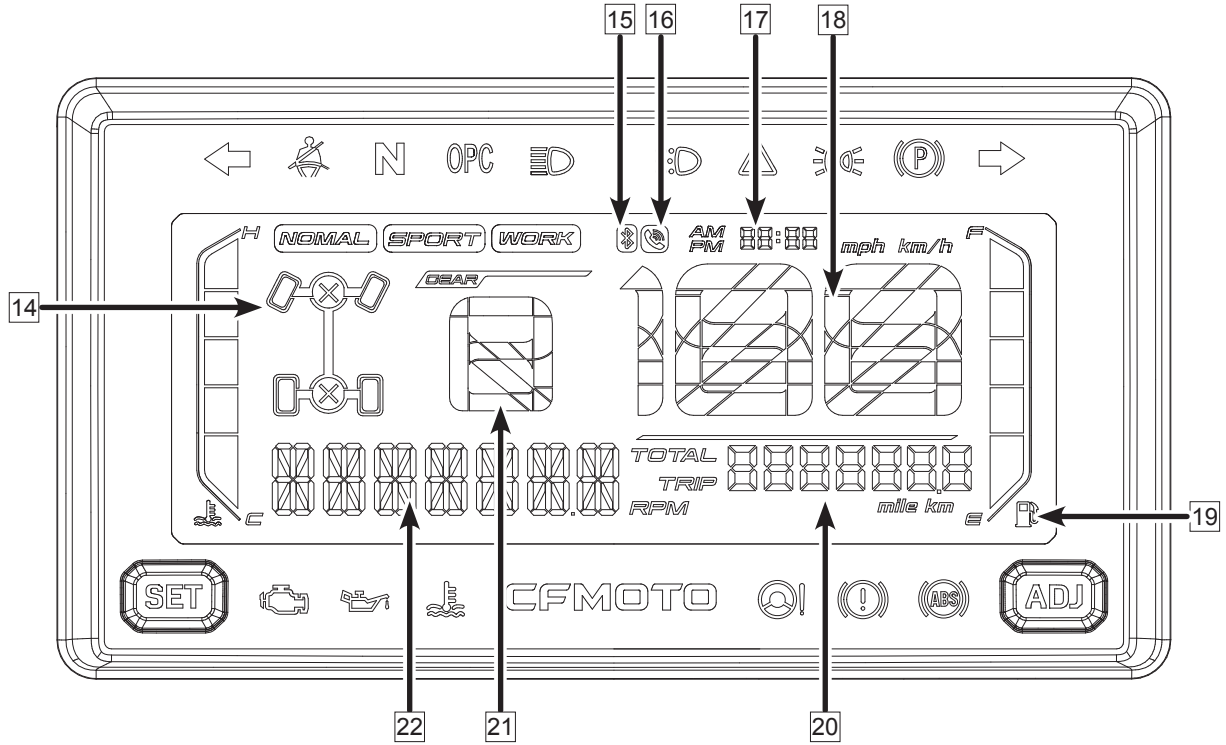
12. EFI Fault Indicator

This indicator displays when a fault occurs in the Electronic Fuel Injection system. Please stop the vehicle and contact your dealer to eliminate the fault, or it may result in serious engine damage.

13. SEL - Mode Adjust Button

Use together with "ADJ" key to adjust functions on the dashboard.

FEATURES & CONTROLS



FEATURES & CONTROLS

Dashboard Indicators and Warnings

14	Drive mode	17	Clock	20	Rider Information Center
15	Bluetooth indicator	18	Speedometer	21	Gear position indicator
16	Call indicator	19	Fuel gauge indicator	22	Engine RPM

FEATURES & CONTROLS

14. Drive Mode

Display the current drive mode, there are three modes, 2WD, 4WD and 4WD-LOCK. If the mode is not engaged successfully, the indicator will flash.

15. Bluetooth Indicator (Available in Select Markets)

This vehicle is equipped with bluetooth function for connecting and disconnecting calls from a mobile phone. The bluetooth icon will not light when it is not paired and connected to a phone. It will flash during pairing and connecting, and remains on after pairing successfully and staying connected. The telephone icon will flash when there is an incoming call, it remains on while the call is connected. and it turns off when the call is disconnected.

Short-press the “SEL” button to answer the call, and short-press “ADJ” button to finish the call.

To pair, open the bluetooth function in the mobile phone, turn the vehicle main key switch to “ON”, then connect to the vehicle’s bluetooth feature using the phone.

WARNING

Do not operate the vehicle while using bluetooth. Always stop the vehicle before answering a call. Distracted driving can result in an accident causing serious injury or death.

16. Call Indicator

After bluetooth pairing successfully, this indicator flashes when there is an incoming call, and it displays “CALL IN”. Short-press “SEL” to accept the call, short-press “ADJ” to finish the call.

17. Clock

Displays the current time. This dashboard section can be adjusted by using the “ADJ” and “SEL” buttons.

FEATURES & CONTROLS

18. Speedometer

Displays the current vehicle speed. Speedometer section can be toggled to display the vehicle speed in Kilometers per hour (km/h) or Miles Per Hour.

19. Fuel Gauge / Low Fuel Indicator

Displays the fuel level in the fuel tank.

Minimum Fuel Alarm - This vehicle is equipped with a minimum fuel alarm, which can be adjusted at any time if more than 1 bar is displayed on the fuel gauge.

FUEL 3 Alarm - When Fuel 3 is set, an alarm will sound when the dashboard display reaches the fuel remaining level of 1 bar. Fuel remaining is approximately 1 gal. (4 L), reminding the driver to add fuel.

FUEL 2 Alarm - When Fuel 2 is set, an alarm will sound when the dashboard display reaches the fuel remaining level of 1 bar. Fuel remaining is less than 0.75 gal. (2.6 L), reminding the driver to add fuel.

FUEL 1 Alarm - When Fuel 1 is set, an alarm will sound when the dashboard display reaches the fuel remaining level of 1 bar. Fuel remaining is less than 0.5 gal. (1.3 L), reminding the driver to add fuel.

WARNING

Please consider your driving habits, driving environment and other factors when adjusting the minimum fuel level alarm to avoid an unwanted alert or running out of fuel in a remote area.

NOTE: The low fuel alarm can be adjust when the fuel level display is 2 bars or more.

20. Rider Information Center

Default display is total mileage the vehicle has traveled. Press “SEL” button to toggle to TRIP meter, engine hour, EFI fault code, battery voltage, dashboard brightness, and EPS fault code selections.

21. Gear Position Indicator

Displays the current gear position.

22. Engine RPM

Indicate the engine current RPM.

FEATURES & CONTROLS

Dashboard Navigation / Settings / Adjustments						
Item	Displays	SEL	ADJ	Operation	Result	
Odometer	Total Distance	Short press		Shifts to trip	Trip	
Trip	Trip Distance	Short press		Shifts to engine hour	Engine hour	
Trip	Trip Distance		Long press	Trip resets to zero	Trip Distance Reset	
Engine hour	H	Short press		Shifts to EFI fault code	EFI fault code	
EFI fault code	EFI fault code	Short press		Shifts to voltage	Voltage	
Voltage	U	Short press		Shifts to dashboard brightness	Dashboard brightness	
Dashboard brightness	Brightness level	Short press		Shifts to odometer	Odometer	
			Short press	Adjust brightness+1	L-I-g-H-5	
Minimum fuel alarm level	Minimum fuel alarm interface	Short press		Shifts to odometer	Odometer	
			Short press	Shifts the minimum fuel alarm level	FUEL 3 - FUEL 2- FUEL 1	
Home interface	Home interface	Long press		Shifts to time setting	Hour setting	
			Short press	Shifts to dashboard brightness	Home interface	
Shifting for time setting, time format and speed unit	Hour setting	Short press		Shifts to time setting	Minute setting	
			Short press	Increase 1 / press	Hour setting	
			Long press	Incremental 1-24	Hour setting	
	Minute setting	Short press			Shifts to time unit	12/24 time format setting
			Short press		Increase 1 / press	Minute setting
			Long press		Incremental 00-59	Minute setting
	12/24 time format setting	Short press			Shifts to unit setting	Speed unit setting
			Short press		Shifts to time format	12/24 time format setting
	Unit setting	Short press			Back to home interface	Home interface
		Short press		Shifts to speed unit	Speed unit setting	

OPERATION OF YOUR ATV

Operation of your ATV

Engine Break-In Period

The break-in period for your new ATV is very important. Careful treatment of a new engine at the beginning of ownership will result in more efficient performance and longer life. Perform the following procedures carefully:

1. Select an open area that allows room to familiarize yourself with vehicle operation and handling.
2. Place the ATV on a level surface.
3. Fill the fuel tank with gasoline.
4. Check the engine oil level. Add the recommended oil if necessary to maintain the oil level between the minimum and maximum indicators on the dipstick.
5. Position yourself in the operating position on the vehicle and start the engine. Allow the engine to idle for a short period before operating.
6. Press the foot brake, select the desired gear, and then release the foot brake.
7. Apply throttle. Drive slowly at first, varying throttle positions not more than $\frac{1}{2}$ throttle for 10 hours or 100 miles, then another 10 hours or 100 miles of not more than $\frac{3}{4}$ throttle (whichever interval arrives first). Do not operate at sustained idle or sustained wide open throttle.
8. Do not pull or carry any loads during the break-in period.
9. At the end of the break-in period, change the oil and filter (20hrs or 200 miles/320km).

Brake Break-In Period

CAUTION

During the break-in period, the brake system pads and discs require wear-in and may not have reached optimal performance.

When pads and discs are new, avoid following other vehicles too closely or operating situations that require emergency stopping, to avoid an accident.

OPERATION OF YOUR ATV

⚠ CAUTION

To avoid engine damage during the break-in period:

- Do not load or tow cargo.
- Do not operate at sustained full throttle. Damage to engine parts or decreased engine life may result if excessive wide open throttle is used during the break-in period.
- Do not run engine with throttle over 1/2 open during the first 10 hours or 100 miles/160km of use.
- Do not run engine with throttle over 3/4 open during the next 10 hours or 100 miles/160km of use.

Recommended Engine Oil Viscosity

Use of any oil other than those recommended may cause serious engine damage. CFMOTO recommends the use of 5W-40 for 1-cylinder 4-stroke engines. Changing engine oil viscosity to 10W-40 or 15W-40 due to hot environments is acceptable. Reference the chart below for ambient temperature and viscosity choice.

Oil Viscosity				15W-40				
				10W-40				
				5W-40				
F°	-22	-4	14	32	50	68	86	104
C°	-30	-20	-10	0	10	20	30	40

OPERATION OF YOUR ATV

Pre-Ride Inspection

Before each use of the vehicle, a best practice is to check the vehicle according to the “Perform daily before operating the vehicle” checklist in maintenance sheet.

WARNING

If a proper inspection is not done before each use, severe damage to the vehicle, severe injury, or death could result. Always inspect the vehicle before each use to ensure it is in proper operating condition.

Starting the Engine

Starting a Cold Engine

WARNING

Engine exhaust contains poisonous carbon monoxide and can cause loss of consciousness resulting in severe injury or death. Never run an engine in an enclosed area.

CAUTION

Operating the vehicle immediately after starting could cause engine damage. Allow the engine to warm up for several minutes before operating the vehicle.

If the vehicle can not be started immediately, do not activate the starting system continuously. Failure to start the ignition system multiple times may cause the starting motor to burn out.

Starting a Cold Engine

1. Verify the gear selector is shifted to the Parking or Neutral position.
2. Apply the foot brake.
3. Turn the main key switch to position “ON”. The vehicle is powered on.
4. Wait until the instrument self-inspection is finished, then press down the engine starting switch. The engine starts.
5. Once the engine starts, allow the engine to warm up for a short period before operating the vehicle.

OPERATION OF YOUR ATV

NOTE:

Do not activate the starting system more than 10 seconds on each attempt. If the engine fails to start, release the start switch, pause a few seconds before the next attempt, then push the start switch again. Each attempt should be as short as possible to preserve battery energy.

⚠ CAUTION

Operating the vehicle immediately after starting could cause engine damage. Allow the engine to warm up for a short period before operating the vehicle.
--

NOTE:

The engine can be started in any gear if the brake is applied. However, a best practice is to shift into Neutral or Park before starting the engine. If the neutral indicator light on the dashboard does not come on when the gear selector is in neutral position, ask your dealer to inspect the vehicle electrical circuit or adjust the gear shifting system.

⚠ WARNING

Excessive throttle operation while in speed limit mode may cause fuel to build in the exhaust, resulting in engine popping and/or engine damage.
--

OPERATION OF YOUR ATV

Gear Selector Operation

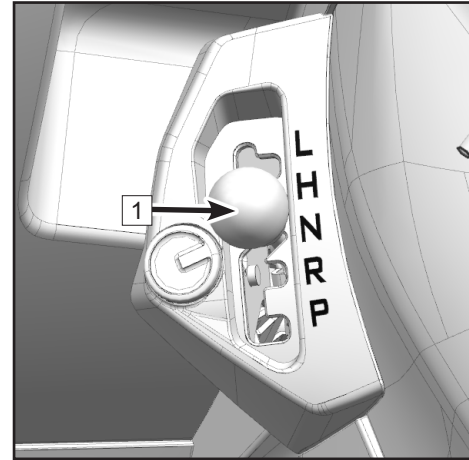
Shifting

⚠ CAUTION

To avoid transmission damage, return the throttle to the closed position, stop the vehicle, and apply the foot brake before shifting.

NOTE:

Low gear is the preferred transmission gear selection for all forward motion other than prolonged high speed travel.



1 Gear Selector

OPERATION OF YOUR ATV

Shifting out of Park

1. Verify the throttle is closed.
2. Apply the foot brake.
3. Shift to the desired gear by moving the gear selector along the shift guide.

Shifting: Neutral to High Gear

1. Verify the throttle is closed and the vehicle is stopped completely.
2. Apply the foot brake.
3. Shift to 'H' by moving the gear selector along the shift guide.

Shifting: High Gear to Low Gear

1. Verify the throttle is closed and the vehicle is stopped completely.
2. Apply the foot brake.
3. Shift to 'L' by moving the gear selector along the shift guide.

Shifting: Low Gear to High Gear

1. Verify the throttle is closed and the vehicle is stopped completely.
2. Apply the foot brake.
3. Shift to 'H' by moving the gear selector along the shift guide.

Shifting: to Reverse Gear

1. Verify the throttle is closed and the vehicle is stopped completely.
2. Apply the foot brake.
3. Shift to 'R' by moving the gear selector along the shift guide.

OPERATION OF YOUR ATV

4. Check behind you for people or obstacles, then release the foot brake pedal.
5. Apply the throttle lever gradually and continue to watch behind you while moving backward.

WARNING

When you shift into reverse, make sure there are no obstacles or people, and the area is safe behind you. When it is safe to proceed, go slowly.

Shifting: Reverse to Park

1. Verify the throttle is closed and the vehicle is stopped completely.
2. Apply the foot brake.
3. Shift to 'P' by moving the gear selector along the shift guide.

NOTE:

The gear selector must not be shifted into reverse gear without applying the foot brake.

The gear shift indicators should display corresponding to the actual gear position, if the indicator does not display, ask your dealer to inspect the vehicle electrical circuit or adjust the gear shifting system.

Due to the synchronizing mechanism in the engine, an indicator may not display until ATV starts moving.

Do not use high gear for continuous slow speed travel or towing, as this can lead to excessive heating of the clutch system, which may damage components.

OPERATION OF YOUR ATV

Hauling and Towing Cargo

Your vehicle is equipped with front and rear cargo racks, and a hitch receptacle for towing. Follow these guidelines for hauling and towing of cargo:

 WARNING
--

Overloading the vehicle, carrying or towing cargo improperly, can alter the vehicle handling and may cause loss of control or braking instability.
--

- Always use low gear while towing to avoid clutch wear and belt issues.
- Reduce speed when hauling or towing loads.
- Never exceed the stated load capacity for this vehicle.
- All loads must be secured before operation. Unsecured loads may shift and create unstable operating conditions, which could result in loss of control of the vehicle.
- When operating over rough or hilly terrain, reduce speed and cargo to maintain stable driving conditions.
- Use extreme caution when applying brakes with a loaded vehicle. Avoid terrain or situations that may require backing downhill.
- Weight distribution on the front and rear racks should be as far forward and as low as possible. Carrying a high load raises the center of gravity and creates an unstable operating condition. Reduce load weight when the cargo center of gravity is high. When handling off-centered loads that cannot be centered, secure the load and operate with extra caution.
- When operating with loads extending beyond the rack. Stability and maneuverability may be adversely affected, causing the machine to overturn.

OPERATION OF YOUR ATV

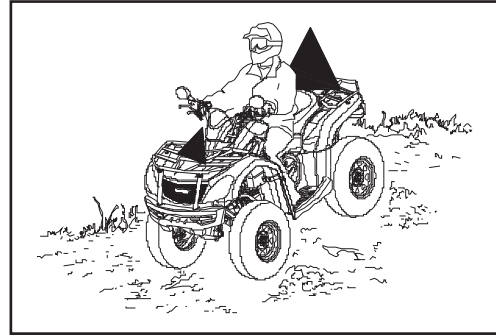
- Carrying a load on only the front rack or the rear rack may cause an imbalanced condition and increases the possibility of vehicle overturn. Balance loads proportionally between the front rack and the rear rack, but do not exceed the stated load capacity.
- Do not obstruct the headlights when loading the front rack.
- Always attach to the towable using the hitch point. Never exceed the recommended tongue weight.
- Using chains, straps, rope or other materials to tow objects is not recommended, as these items could get caught in the rear wheels, resulting in vehicle damage or personal injury.
- While towing, the vehicle should never exceed 10 mph (16 km/h) towing a load on a level surface. Vehicle speed should never exceed 5 mph (8 km/h) when towing loads in rough terrain, while cornering, or while ascending or descending a hill.

OPERATION OF YOUR ATV

Load Distribution

Your ATV has been designed to carry or tow a certain amount of load. Always:

- Read and understand the load distribution warnings listed on the warning labels.
- Never exceed the specified weights.
- Cargo weight should be mounted as low as possible.
- Cargo should be loaded on the racks as far forward as possible.
- When operating over rough or hilly terrain, reduce speed and cargo to maintain stable driving conditions.



OPERATION OF YOUR ATV

Driving Safely

Responsibilities of the operator

As the operator of this ATV, your common sense, judgment, and abilities are the only factors that will prevent injury to yourself, to others around you, and/or damage to the vehicle or environment.

Recreational, group, and distance riding

One of the benefits of this vehicle is that it can take you off-road away from most communities. Stay away from areas designated for other types of off-road use unless it is specifically allowed. This includes snowmobile trails, equestrian trails, cross country ski trails, mountain bike trails, etc. Join a local ATV club. A club can provide you with a map and advice, or inform you about areas where you can ride.

Always keep a safe distance from other riders ahead of you and behind you when riding in a group. Never operate carelessly or make unexpected maneuvers with other ATVs close by. Stay on designated trails and riding areas, and discourage others from operating in unauthorized locations.

Environment

Off-road ATV recreation is a privilege. Maintain your privilege by respecting the environment and the rights of others to enjoy it. Chasing wildlife is illegal. Wildlife can die of exhaustion if chased by a motorized vehicle. Never purposely damage the terrain unless the operating area is designated for that type of activity. Observe the rule... "what you take in, carry out". Do not litter.

OPERATION OF YOUR ATV

Practice

The driving procedures described in this manual should be practiced at slow speed many times in a large area with no obstacles. If an incorrect technique is used, your ATV may continue to go straight. If the ATV does not turn, come to a stop and then practice the procedure again. If the riding surface is slippery or loose, it may help to transfer more of your weight to the front wheels by moving forward on the seat. Once you have learned the proper techniques, you should be able to perform maneuvers at higher speeds or in tighter curves.

Improper driving procedures such as abrupt throttle changes, excessive braking, incorrect body movements, or too much speed for the sharpness of the turn may cause the ATV to tip. If the ATV begins to tip over to the outside while negotiating a turn, lean more to the inside. It may also be necessary to gradually let off on the throttle and steer to the outside of the turn to avoid tipping over.

Remember: Avoid higher speeds until you are thoroughly familiar with the operation of your ATV.

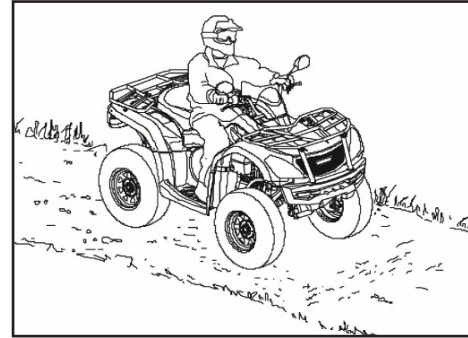
NOTE:

Low gear is the preferred transmission gear selection for all forward motion other than prolonged high speed travel. Do not use high gear for continuous slow speed travel or towing, as this can lead to excessive heating of the clutch system, which may damage components.

OPERATION OF YOUR ATV

Driving Procedure

1. Sit upright with both feet on the footrests and both hands on the handlebars.
2. Start the engine and allow it to warm up. Apply the foot brake, then shift the transmission into low gear.
3. Check your surroundings and determine your path of travel.
4. Release the brakes.
5. Slowly press the throttle with your right thumb and begin driving. Vehicle speed is controlled by the amount of throttle opening.
6. Drive slowly. Practice maneuvering while using the throttle and brakes on a level surface.



OPERATION OF YOUR ATV

Making Turns

To make a turn, steer in the direction of the turn, leaning your upper body to the inside of the turn while supporting your weight on the outer footrest. This technique alters the balance of traction between the wheels, allowing turn to be made smoothly. The same leaning technique should be used for turning in reverse.

NOTE:

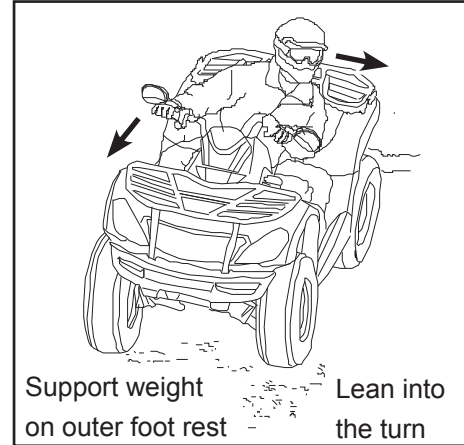
Practice making turns at slow speeds before attempting to turn at faster speeds.

WARNING

Turning at sharp angles or at excessive speeds can result in vehicle overturn and lead to serious injury.

Avoid turning at sharp angles.

Never make turns at high speeds.



OPERATION OF YOUR ATV

ATV Turning Dynamics

To achieve maximum traction while operating in 2WD or 4WD, the two rear wheels perform as one axle and turn together at the same speed. Furthermore, when operating in 4WD-LOCK mode, the front wheels will also turn together at the same speed. Therefore, unless the wheel on the inside of the turn is allowed to slip or lose some traction, the ATV will resist turning. The special turning technique described in this manual must be used to allow the ATV to make turns quickly and easily. It is essential that this skill be learned first at low speed.

Turning On Curves

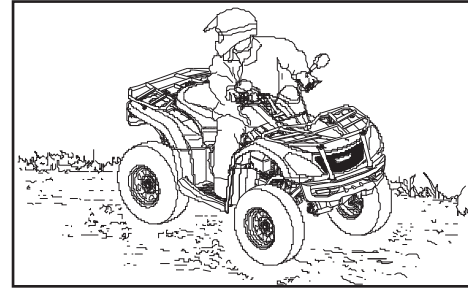
As you approach a curve, slow down and begin to turn the handlebars in the desired direction. As you do so, put your weight on the footboard to the outside of the turn (opposite the desired direction) and lean your upper body into the turn. Use the throttle to maintain an even speed through the turn. This maneuver will let the wheel on the inside of the turn slip slightly, allowing the ATV to maneuver the turn properly.

OPERATION OF YOUR ATV

Driving In Reverse

To operate in reverse:

1. Ensure the throttle is closed and the vehicle is stopped completely.
2. Apply the foot brake, then shift the transmission into reverse gear.
3. Check for obstacles or people behind the vehicle.
4. When it's safe to proceed, release the brakes, slowly press the throttle with your right thumb, and back slowly. Vehicle speed is controlled by the amount of throttle opening.



NOTE:

Your ATV is equipped with a reverse speed limiter. The override button cannot be used. Do not operate at wide open throttle. Open the throttle just enough to maintain a desired speed.

Follow these precautions when operating in reverse:

- Always avoid backing downhill.
- Back slowly.
- When in reverse, apply the brakes lightly for stopping.
- Avoid turning at sharp angles in reverse.
- Never open the throttle suddenly while backing.

⚠ WARNING

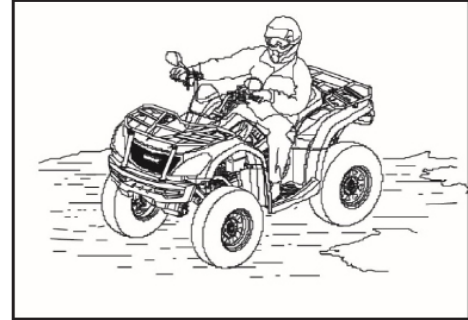
Failure to use caution when operating in reverse can result in serious injury or death.

OPERATION OF YOUR ATV

Driving on Slippery Surfaces

Whenever riding on slippery surfaces such as wet trails, loose gravel, sand, or during freezing weather, follow these precautions:

- Slow down when entering slippery areas.
- Maintain a high level of alertness, reading the trail and avoiding quick, sharp turns which can cause skids.
- Correct a skid by turning the handlebars in the direction of the skid and shifting your body weight forward.
- Driving with 4WD engaged can assist in controlling the vehicle in slippery areas.



CAUTION

Severe damage to drive train may occur if the 4WD is engaged while the wheels are spinning.

Always engage 4WD when the wheels have traction or are at rest.

WARNING

Failure to exercise care when operating on slippery surfaces can result in loss of tire traction and cause loss of control, an accident, and serious injury or death. Never apply the brakes during a skid. Do not operate on excessively slippery surfaces. Always reduce speed and use additional caution.

OPERATION OF YOUR ATV

Driving On Rough Terrain

Whenever driving on rough surfaces such as trails with large rocks or other obstacles, follow these precautions:

- Slow down when encountering rough terrain.
- Maintain a high level of alertness, reading the trail in front of you as you drive. Avoid quick, sharp turns which can cause a loss of control.
- Shift your body weight to counteract the weight of the vehicle if it tips to one side.
- Driving with 4WD or 4WD-LOCK engaged can assist in controlling the vehicle.



OPERATION OF YOUR ATV

Driving Over Obstacles

Be alert! Learn to look ahead and to read the terrain as you drive. Be constantly alert for hazards such as logs, rocks, and low hanging branches.

Never attempt to cross over an obstacle higher than the ground clearance of the vehicle.

⚠ WARNING

Severe injury or death can result if your vehicle comes in contact with obstacles. Travel with caution on unfamiliar terrain.

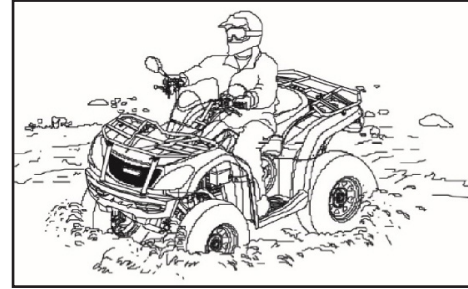


OPERATION OF YOUR ATV

Driving Through Water

Your ATV can operate through water with a maximum recommended depth equal to the bottom of the footrests. Follow these procedures when operating through water:

- Determine water depths and current before crossing.
- Choose a crossing where both banks have gradual inclines.
- Proceed slowly, avoiding rocks and obstacles if possible.
- After crossing, dry the brakes by applying light pressure to the lever until braking action is normal.



⚠️ WARNING

Avoid operating the vehicle through deep or fast-flowing water. If you cannot avoid water that exceeds the recommended maximum depth, go slowly, balance your weight carefully, avoid sudden movements, and maintain a slow and steady forward motion. Do not make sudden turns or stops, and do not make sudden throttle changes.

OPERATION OF YOUR ATV

Drying The CVT System After Submersion

If water has been ingested into the CVT housing, the drive belt will likely slip and poor performance will result. To expel water and dry the CVT housing:

- Drain the CVT housing.
- Place the vehicle in neutral, and raise the engine rpm for several minutes to dry the CVT components.
- Release the throttle and shift into low gear, then test the performance of the vehicle.
- Repeat as necessary until you are satisfied all the water has been expelled. Contact your dealer if vehicle performance issues continue.

NOTE:

After running the vehicle in water, it is critical to have the vehicle serviced as outlined in the maintenance schedule. The following areas need special attention: engine oil, front and rear gear cases and all grease locations. If your vehicle becomes immersed, and it's impossible to take it to your dealer before starting it, follow the steps described in this manual to remove water from the air box and engine.

CAUTION

Major engine damage can result if the vehicle is not thoroughly inspected after operation in water. If water has been ingested into the CVT housing, follow the procedure in this manual for drying out the CVT clutch system. Have the vehicle serviced by your dealer promptly if your vehicle becomes immersed or stalls in water that exceeds the footrest level. It is important to contact your dealer for service before starting the engine, as water may have been ingested in the air box and engine.

OPERATION OF YOUR ATV

Driving Uphill

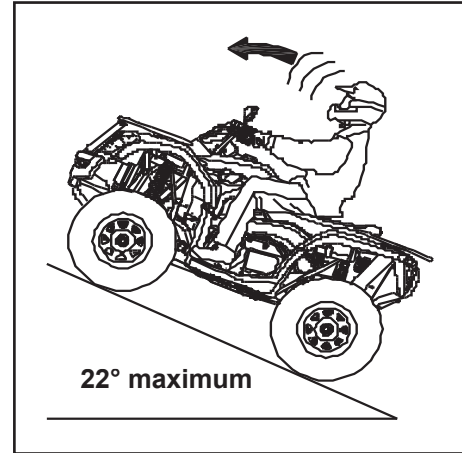
Whenever traveling uphill, follow these precautions:

- Always travel straight uphill.
- Never operate on hills over 22° degrees incline or hills too steep for your abilities.
- Keep both feet on the footrests.
- Shift your weight forward.
- Proceed at a steady rate of speed and throttle opening.
- Remain alert and be prepared to take emergency action. This may include quick dismounting of the vehicle.

If all forward speed is lost:

Keep your weight uphill and release the throttle.

Apply the front brake. When fully stopped, apply the foot brake and shift the gear selector to the parking position.



OPERATION OF YOUR ATV

If the ATV begins rolling backwards:

Keep your weight uphill. Never apply engine power. Never apply the foot brake while rolling backwards.

Apply the front brake. When fully stopped, apply the foot brake, and then shift gear selector into the parking position.

Dismount on uphill side, or to either side if ATV is pointed straight uphill. Turn the ATV around and remount following the K-turn procedure described in this manual.

WARNING

Braking and handling are greatly affected when operating in hilly terrain. Improper procedure could cause loss of control or overturn and result in serious injury or death.

Avoid climbing steep hills (22° maximum).

Use extreme caution when operating on hills, and follow proper operating procedures outlined in the owner's manual.

OPERATION OF YOUR ATV

Sidehilling

WARNING

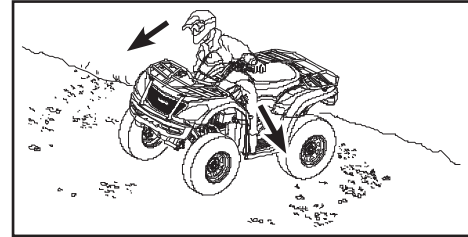
Improperly crossing hills or turning on hills can result in loss of control or vehicle overturn, resulting in severe injury or death. Avoid crossing the side of a hill when possible. Follow the proper procedures as outlined in the owner's manual.

Sidehilling can be a dangerous type of driving and should be avoided if at all possible. If you do enter into a situation where sidehilling is necessary, follow these precautions:

- Slow down.
- Lean into the hill, transferring your upper body weight toward the hill while keeping your feet on the footrests.
- Steer slightly into the hill to maintain vehicle direction.

CAUTION

If the vehicle begins to tip, quickly turn the front wheels downhill if possible, or dismount on the uphill side immediately.

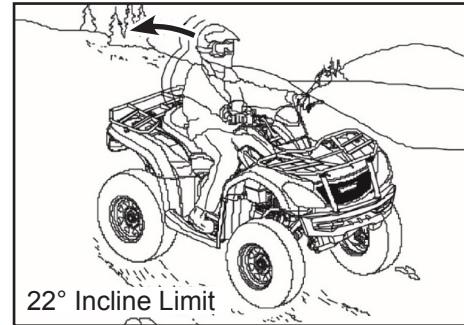


OPERATION OF YOUR ATV

Driving downhill

When traveling down a hill, follow these precautions:

- Never operate on hills over 22 degrees incline or hills too steep for your abilities.
- Slow down.
- Shift your weight to the rear of the vehicle.
- Always travel directly downhill.
- Utilize the engine braking function and apply the foot brake lightly to aid in slowing. Familiarize yourself with operation of these braking functions during downhill descents.
- Driving with 4WD or 4WD-LOCK engaged can assist in controlling the vehicle.



⚠️ WARNING

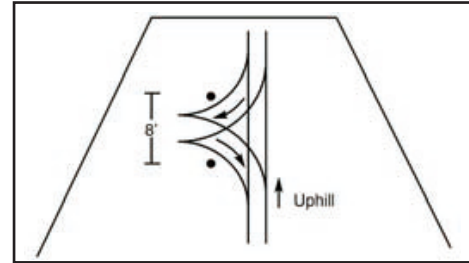
Excessive downhill speed can cause loss of control and lead to serious injury or death. Always reduce speed when traveling downhill.

OPERATION OF YOUR ATV

Turning Around on a Hill

One maneuver that can be used when it's necessary to turn around if stranded while climbing a hill is the K-turn:

1. Release the throttle, then apply the hand and foot brake while keeping your body weight uphill.
2. Shift the gear selector lever to the low gear position. Shut off the engine.
3. Keeping the hand brake applied, dismount on the right side of the vehicle if the vehicle is pointed straight uphill.



NOTE: Always dismount on the uphill side when the vehicle is pointed in a direction other than uphill.

4. Keeping the hand brake applied, move uphill (in front) of the vehicle, and pull on the right handle bar to turn the steering full left (front brake will now be closest to you).
5. Slowly release the hand brake lever, and use it to control the descent of the vehicle, which will roll downhill and to your right (as viewed from the vehicle front) until it's pointing across the hill or slightly downward. The vehicle's rolling weight is neutralized, and vehicle remount is now possible.
6. Remount the vehicle from the uphill side and shift the gear selector lever to the parking position, keeping your body weight uphill. Keep the hand brake or foot brake applied at all times if possible.
7. Restart the engine. Press the foot brake, and shift the gear selector lever to low gear position.
8. Release the brakes and proceed slowly downhill, controlling speed with the brakes, until the vehicle is on more level ground.

OPERATION OF YOUR ATV

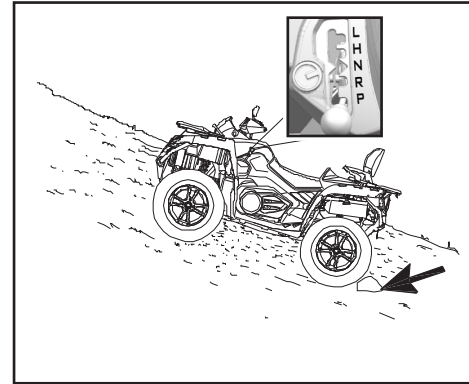
Parking on an Incline

Avoid parking on an incline if possible. If it's unavoidable, follow these precautions:

- Turn the engine off.
- Place the gear selector to parking position.
- Always block the rear wheels on the downhill side as shown.

CAUTION

If parked on an incline, drivetrain rotating forces may cause difficult transmission shifting out of park. Rocking the vehicle forward or backward while shifting will help avoid component damage.



Crossing paved surfaces

Your ATV is not designed for paved surfaces and is more likely to tip over. Do not travel on sidewalks or bicycle lanes, as they are not designated for ATV use. If you must drive on a paved surface, reduce speed and avoid sudden turns, acceleration, or braking. If you have to cross a paved road, ensure you have complete visibility in both directions for oncoming traffic, and determine your exit point on the other side. Drive in a straight line toward that point. Do not make sharp direction changes or abrupt accelerations, as it may result in a tip over situation.

MAINTENANCE

Maintenance Schedule

Periodic maintenance schedule

Careful periodic maintenance will help keep your vehicle in the safest, most reliable condition.

Inspection, adjustment and lubrication of important components are explained in the periodic maintenance chart.

Inspect, clean, lubricate, adjust, and replace parts as necessary. When inspection reveals the need for replacement parts, please use genuine parts available from your dealer.

Severe Use Definition

CFMOTO defines severe vehicle use as:

- Frequent immersion in mud, water or sand
- Extended idle
- Racing or race-style high RPM use
- Short trip cold weather operation
- Prolonged low speed, heavy load operation

For vehicles that are subjected to severe use, reduce all maintenance and service intervals by 50%.

REMARQUE :

Un entretien et des ajustements périodiques sont essentiels. Si vous n'êtes pas habitué à effectuer des procédures d'entretien et de réglage en toute sécurité, demandez à un revendeur qualifié d'effectuer l'entretien requis pour vous.

MAINTENANCE

NOTE:

Pay special attention to the oil level. A rise in oil level during cold weather can indicate contaminants collecting in the oil sump or crankcase. Change oil immediately if the oil level begins to rise. Monitor the oil level, and if it continues to rise, discontinue to use and determine the cause or see your dealer.

Periodic Maintenance Schedule / Icon Key

Maintenance intervals in the following chart are based upon average riding conditions and an average vehicle speed of approximately 12.4 mph (20 km/h). Vehicles subjected to severe use must be inspected and serviced more frequently.

The following icon keys are used to note special circumstances:

- ▶ = Severe Use Item. Reduce interval by 50% on vehicles subjected to severe use.
- = Have an authorized dealer perform repairs that involve this component or system.
- = Emissions related components. Have an authorized dealer perform repairs that involve this component or system.

⚠ WARNING

Procedures marked as '■' means if repair is required, have an authorized dealer perform repairs that involve this component or system. Improperly performing the procedure could result in component failure and lead to serious injury or death.

MAINTENANCE

KEY POINTS OF LUBRICATION SCHEDULE:

Check all components at the intervals outlined in the Periodic Maintenance Schedule. Items not listed in the schedule should be lubricated at the general lubrication interval.

- Change lubricants more often under severe use, such as wet or dusty conditions.
- Use All Season Grease on pivot points.
- Lubricate every 500 miles (800 km), before long periods of storage, after pressure washing, or after submerging drive system.

Item	Lubricant	Method
Engine oil	SAE 5W-40 SAE 10W-40 / SAE 15W-40	Unscrew, clean, insert and pull out dipstick to check oil level
Brake fluid	DOT4	Keep level between upper and lower lines
Front gear case oil	SAE80W-90 GL-5	Oil capacity: 6.8 oz. (200 mL)
Rear gear case oil	SAE80W-90 GL-5	Oil capacity: 7.8 oz. (230 mL)
Suspension pivots and drive train	All Season Grease	Grease gun - Pump grease until it begins to flow from the pivot point

MAINTENANCE

Pre-Ride Maintenance Checklist

Perform these inspections before operating the vehicle:

Item		Maintenance before operation			
		Hour	Calendar	Miles (km)	Remarks
■	Steering system	-	Pre-Ride	-	Visually inspect, test, or check components. Make adjustments and/or schedule repairs when required.
■	Throttle return	-	Pre-Ride	-	
	Front suspension and axles	-	Pre-Ride	-	
	Rear suspension and axles	-	Pre-Ride	-	
	Tires	-	Pre-Ride	-	
	Brake fluid level	-	Pre-Ride	-	
	Brake lever / foot brake function	-	Pre-Ride	-	
	Brake system function	-	Pre-Ride	-	
	Wheels / fasteners	-	Pre-Ride	-	
	Engine oil level	-	Pre-Ride	-	
▶	Air filter / Air box and connections	-	Pre-Ride	-	Visually inspect. Replace filter when dirty.

▶ = Severe Use Item. Inspect frequently on vehicles subjected to severe use.

■ = Have an authorized dealer perform repairs that involve this component or system.

● = Emissions related components. Have an authorized dealer perform repairs that involve this component or system.

MAINTENANCE

Item		Maintenance before operation			
		Hour	Calendar	Miles (km)	Remarks
▶	Air box sediment tube	-	Pre-Ride	-	Inspect. If deposits are visible, clean intake tubes, air box, and replace air filter.
▶	CVT sediment tube	-	Pre-Ride	-	Inspect. If deposits are visible, drain / clean the CVT or have it serviced by a dealer.
■	Headlight aim / General lighting and turn indicators (if equipped)	-	Pre-Ride	-	Inspect. Adjust or replace lights when necessary.
▶	Radiator	-	Pre-Ride	-	Inspect for mud or debris blocking airflow. Clean surfaces when necessary.

▶ = Severe Use Item. Inspect frequently on vehicles subjected to severe use

■ = Have an authorized dealer perform repairs that involve this component or system.

● = Emissions related components. Have an authorized dealer perform repairs that involve this component or system.

MAINTENANCE

Break-In Maintenance Checklist

Perform these maintenance items when the vehicle break-in is completed:

Item		Break-in Maintenance (Perform at the interval that arrives first)			
		Hour	Calendar	Miles (km)	Remarks
	General lubrication	20	-	200 (320)	Lubricate all grease points, pivots, cables, etc.
	Engine oil / oil filter / oil strainer	20	-	200 (320)	Change oil and filter. Clean oil strainer.
▶	Engine air filter	20	-	200 (320)	Inspect. replace if dirty. do not clean
■	Engine valve clearance	20	-	200 (320)	Check and adjust as necessary.
	Front / Rear gear case oil	20	-	200 (320)	Check level. Inspect for leaks.
	Coolant	20	-	200 (320)	Check level. Inspect for leaks.
▶	Brake pads	20	-	200 (320)	Inspect pad thickness.

▶ = Severe Use Item. Reduce interval by 50% on vehicles subjected to severe use.

■ = Have an authorized dealer perform repairs that involve this component or system.

● = Emissions related components. Have an authorized dealer perform repairs that involve this component or system.

MAINTENANCE

Item		Break-in Maintenance (Perform at the interval that arrives first)			
		Hour	Calendar	Miles (km)	Remarks
	Battery	20	-	200 (320)	Check terminals, clean, test battery condition if required.
■	Idle condition	20	-	200 (320)	Inspect for proper rpm. See dealer for service if out of spec or erratic.
■	Steering / Wheel Alignment	20	-	200 (320)	Inspect steering system. See dealer for service if wheel alignment is required.
▶	Foot brake / Hand brake	20	-	200 (320)	Inspect function. Adjust as necessary.
	Gear cases, CV shafts, Propshafts	20	-	200 (320)	Inspect for leaks.
	Engine hoses, gaskets and seals	20	-	200 (320)	Inspect for leaks.

▶ = Severe Use Item. Reduce interval by 50% on vehicles subjected to severe use.

■ = Have an authorized dealer perform repairs that involve this component or system.

● = Emissions related components. Have an authorized dealer perform repairs that involve this component or system.

MAINTENANCE

Periodic Maintenance Schedule

Perform these maintenance items when the vehicle break-in is completed:

Item		Periodic Maintenance Intervals (Perform at the interval that arrives first)			
		Hour	Calendar	Miles (km)	Remarks
▶	Brake pads	10	Monthly	100 (160)	Inspect pad thickness.
	Battery	100	12M	1000 (1600)	Check terminals. Clean and test battery condition as necessary.
	Engine hoses, gaskets and seals	20	-	200 (320)	Inspect for leaks.
▶	Air filter	50h	--	500 (800)	Always inspect pre-ride. Inspect frequently if subjected to severe use. Replace if dirty. Do not clean.
▶	CVT air intake filter screen / filter	50h	-	500 (800)	Clean filter screen or filter, replace with new one if necessary.
▶	General lubrication	50h	3M	500 (800)	Lubricate all fittings, pivots, cables, etc.

▶ = Severe Use Item. Reduce interval by 50% on vehicles subjected to severe use.

■ = Have an authorized dealer perform repairs that involve this component or system.

● = Emissions related components. Have an authorized dealer perform repairs that involve this component or system.

MAINTENANCE

Item		Periodic Maintenance Intervals (Perform at the interval that arrives first)			
		Hour	Calendar	Miles (km)	Remarks
▶	Front gear case oil	100h	12M	1000 (1600)	Inspect level. Change yearly if hours or distance interval is not met.
▶	Rear gear case oil	100h	12M	1000 (1600)	Inspect level. Change yearly if hours or distance interval is not met..
▶	Engine oil / oil filter / oil strainer	100h	12M	1000 (1600)	Inspect for color change. Change if dirty and clean strainer. Change yearly if hours or distance interval is not met.
	Cooling system	50h	6M	500 (800)	Test coolant strength. Pressure test system yearly.

▶ = Severe Use Item. Reduce interval by 50% on vehicles subjected to severe use.

■ = Have an authorized dealer perform repairs that involve this component or system.

● = Emissions related components. Have an authorized dealer perform repairs that involve this component or system.

MAINTENANCE

Item		Periodic Maintenance Intervals (Perform at the interval that arrives first)			
		Hour	Calendar	Miles (km)	Remarks
▶	Radiator	50h	6M	500 (800)	Inspect. clean external surfaces. Clean more frequently if subjected to severe use.
■	Steering system	50h	6M	500 (800)	Inspect. Lubricate.
▶	Front suspension	50h	6M	500 (800)	Lubricate. Check fasteners.
▶	Rear suspension	50h	6M	500 (800)	Lubricate. Check fasteners.
▶	Gear shift	50h	1M	500 (800)	Inspect, lubricate, adjust as necessary.
▶ ■	Throttle body / throttle cable	50h	6M	500 (800)	Inspect. Clean carbon deposits. Inspect cable and lubricate frequently if subjected to severe use.

▶ = Severe Use Item. Reduce interval by 50% on vehicles subjected to severe use.

■ = Have an authorized dealer perform repairs that involve this component or system.

● = Emissions related components. Have an authorized dealer perform repairs that involve this component or system.

MAINTENANCE

Item		Periodic Maintenance Intervals (Perform at the interval that arrives first)			
		Hour	Calendar	Miles (km)	Remarks
▶ ■	CVT drive belt	100h	12M	1000 (1600)	Inspect. Replace as necessary. See dealer for service.
■	CVT drive and driven pulleys	100h	12M	1000 (1600)	Clean and inspect pulleys. Replace worn parts. See dealer for service.
	Fuel filter and hoses	100h	24M	2000 (3200)	Inspect routing and condition. Replace filter and high-pressure hoses every 4 years.
	Cooling hoses	100h	--	1000 (1600)	Inspect routing and condition.
▶	Valve clearance	100h	--	2000 (3200)	Inspect and adjust as necessary. See dealer for service.

▶ = Severe Use Item. Reduce interval by 50% on vehicles subjected to severe use.

■ = Have an authorized dealer perform repairs that involve this component or system.

● = Emissions related components. Have an authorized dealer perform repairs that involve this component or system.

MAINTENANCE

Item		Periodic Maintenance Intervals (Perform at the interval that arrives first)			
		Hour	Calendar	Miles (km)	Remarks
●	Fuel system	100h	12M	500 (800)	Inspect fuel tank, cap, fuel pump and fuel pump relay.
	Spark plug	100h	24M	2000 (3200)	Inspect. Replace if worn or fouled.
■	Engine mounts	100h	12M	1500 (2400)	Inspect condition.
	Exhaust pipe and spark arrestor	100h	12M	500 (800)	Inspect. Clean spark arrestor.
▶	Wiring, fuses, connectors, relays, and cables	100h	12M	1000 (1600)	Inspect wire routing for wear, security. Apply dielectric grease as necessary to connectors subjected to water, mud, etc.

▶ = Severe Use Item. Reduce interval by 50% on vehicles subjected to severe use.

■ = Have an authorized dealer perform repairs that involve this component or system.

● = Emissions related components. Have an authorized dealer perform repairs that involve this component or system.

MAINTENANCE

Item		Periodic Maintenance Intervals (Perform at the interval that arrives first)			
		Hour	Calendar	Miles (km)	Remarks
▶ ■	Wheel bearings	100h	12M	1500 (2400)	Inspect for noise or looseness Replace as necessary.
▶	Safety Belts	100h	12M	2000 (3200)	Visually inspect belts and test latches. Clean latch mechanism more often if used in severe conditions.
	Coolant	200h	24M	4000 (6400)	Change coolant every 2 years if hours or distance interval is not met.
▶	Brake fluid	200h	24M	1000 (1600)	Inspect fluid for color change. Change fluid every two years.

▶ = Severe Use Item. Reduce interval by 50% on vehicles subjected to severe use.

■ = Have an authorized dealer perform repairs that involve this component or system.

● = Emissions related components. Have an authorized dealer perform repairs that involve this component or system.

MAINTENANCE

Item		Periodic Maintenance Intervals (Perform at the interval that arrives first)			
		Hour	Calendar	Miles (km)	Remarks
	Idle condition	--	12M	--	Inspect for proper rpm. See dealer for service if out of spec or erratic.
■	Steering / Wheel Alignment	--	12M	--	Inspect steering system. See dealer for service whenever steering parts or wheel alignment are required.
▶	Foot brake height	--	12M	--	Inspect. Replace brake pads or adjust height as required.

▶ = Severe Use Item. Reduce interval by 50% on vehicles subjected to severe use.

■ = Have an authorized dealer perform repairs that involve this component or system.

● = Emissions related components. Have an authorized dealer perform repairs that involve this component or system.

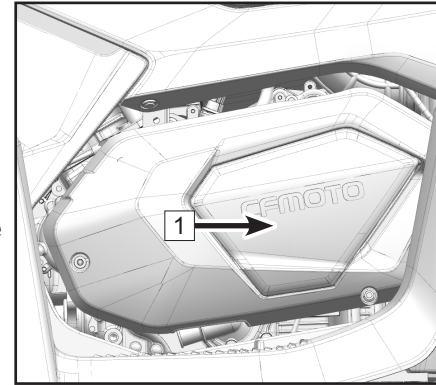
MAINTENANCE

Maintenance Procedures

Engine Oil Level Check

Always check and change the engine oil at the intervals outlined in the Maintenance Schedule.

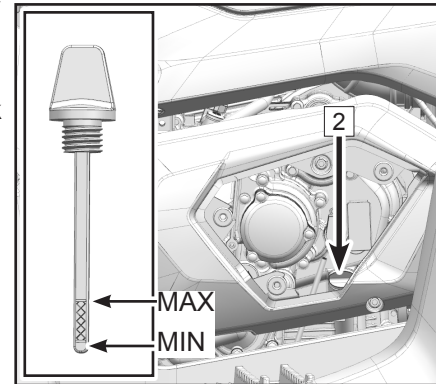
1. Place the ATV on a level surface.
2. Start the engine and let it idle for (20 ~ 30) seconds. Stop the engine.
3. Wait a short period for the oil to settle.
4. Remove access cover **1**.



NOTE:

Access cover grommets may come loose. Ensure they are in place before reinstalling the cover.

5. Unscrew the oil dipstick **2** out and wipe off with a clean cloth.
6. Insert the dipstick back into the dipstick hole, making the dipstick threads contact the hole surface without installing it.
7. Remove the dipstick again and check the oil level indication. Maintain the oil level between the upper and lower indicators.
8. Reinstall the dipstick into the oil filler hole, hand-tighten it, and reinstall the access cover.



MAINTENANCE

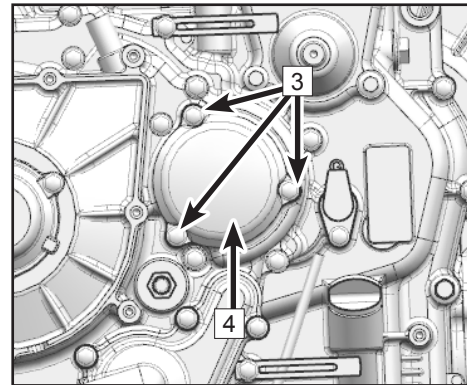
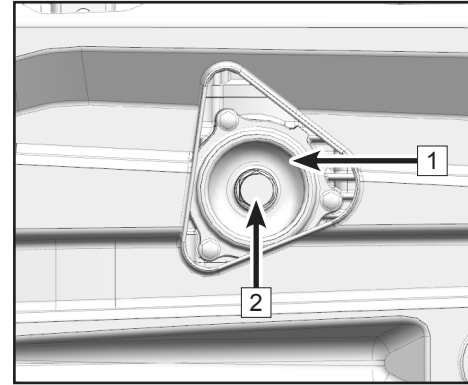
Engine Oil and Filter Change

1. Ensure the vehicle is on level ground and in Park.
2. Start the engine and idle for (2~3) minutes to warm the oil, then stop the engine.
3. Place a pan under the engine (1) to collect the engine oil.
4. Remove the dipstick and wipe it clean.
5. Remove the crankcase magnetic drain bolt and washer (2) and drain out the oil.
6. Confirm the crankcase is drained completely.
7. Remove the three oil filter cover bolts (3-bottom image).
8. Remove the oil filter cover (4).
9. Inspect the o-ring (6) in the cover and ensure it is in good condition. Replace with a new one if damaged.
10. Install o-ring (6) into the oil filter cover, and apply a layer of fresh engine oil for lubricating.
11. Install a new oil filter (5).
12. Mount oil filter cover (4), then install and tighten the cover bolts to the specified torque.

Oil Filter Cover Bolt Torque: 7.3 ft-lb. (10N·m)

13. Clean any debris or contaminants from the magnetic drain bolt (2). Replace the washer with new one if damaged.
14. Install the magnetic drain bolt and washer (2) and tighten to the specified torque.

Drain Bolt Torque: 18.5 ft-lb. (25 N·m)



MAINTENANCE

15. Use a dry and clean cloth to wipe the area around magnetic drain bolt.
16. Add the recommended type of oil into oil dipstick hole until the level reaches the specified range.
17. Verify the oil level is between the upper and lower mark with the dipstick, and adjust the oil level accordingly.

CAUTION

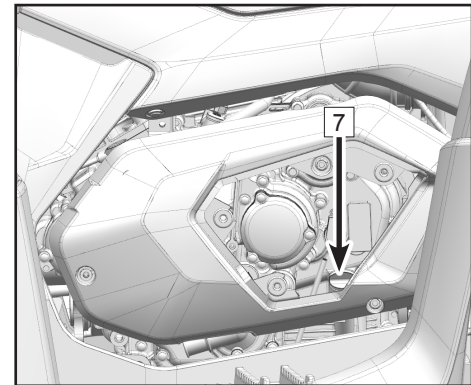
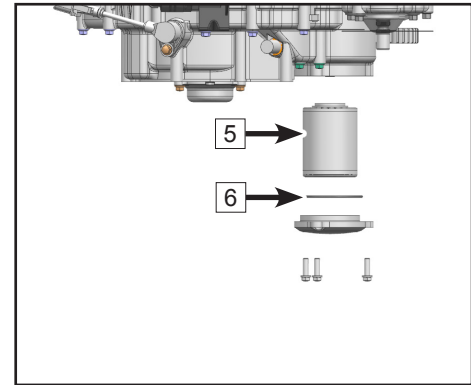
Too much or too little oil will have an impact on the normal operation of the engine. Make sure the oil is maintained between the upper and lower marks of the dipstick.

18. Install and tighten the oil dipstick.
19. Verify the vehicle is in Park, then start and idle the vehicle for 30 seconds.
20. Inspect the engine for leaks after turning off engine. Contact your dealer if leaks are found.

WARNING

When changing engine oil, keep the vehicle turned off and in the Park position to avoid injury or death.

21. Dispose the used oil and filter properly.



MAINTENANCE

Engine Valvetrain Adjustment

The intake and exhaust valve clearances change with use of the vehicle, which can result in improper fuel/air supply or engine noise. To prevent this, the valve clearances must be adjusted according to the maintenance schedule. This adjustment should be performed by a professional service technician. Contact your dealer for service.

NOTE:

Intake Valve Clearance (cold engine): 0.003 ~ 0.005 in. (0.08 ~ 0.12 mm)

Exhaust Valve Clearance(cold engine): 0.005 ~0.007 in. (0.12 ~ 0.18 mm)

Engine Idle Speed

This vehicle is equipped with an electronic fuel injection system. There are no provisions to adjust engine idle speed. The throttle body is a vital part of the fuel system which requires very sophisticated adjustment, and was set at the factory. If the settings are disturbed, poor engine performance and damage may result. Check engine idle speed for stability and contact your dealer for service if necessary. Contact your dealer in case of an abnormal engine idle condition.

NOTE:

Engine Idle Speed: 1500 +/- 150 Rpm (engine at operating temperature)

MAINTENANCE

Gear Case Oil

The front and rear gear cases must be checked for oil leaks and correct oil level before each ride. If a leak is found, contact your dealer for repair.

Rear gear case oil level check

Because of its unique design, draining and filling the gear case is required to produce the correct oil level. Refer to 'Rear gear case oil change'.

Rear gear case oil change

1. Place the machine on a level place.
2. Place a container under the front gear case to catch the oil.
3. Remove oil filler bolt and drain bolt [2] at the bottom of rear gear case, and drain used oil.
4. Install the drain bolt and tighten it to the specified torque.

Drain Bolt Torque: **18.4 ft-lb. (25 N•m)**.

5. Fill the rear gear case with oil.

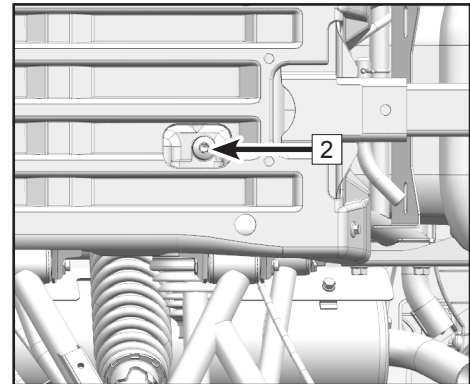
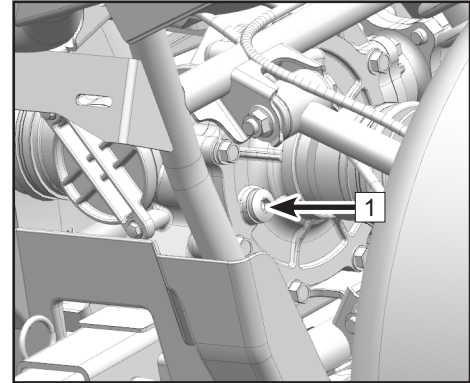
Oil Change Capacity: **6.7 oz (0.2 L)**

6. Install the filler bolt and tighten it to the specified torque.

Oil Fill Bolt Torque: **18.4 ft-lb. (25 N•m)**.

7. Check for oil leaks. If an oil leak is found, check and repair it.

NOTE: Ensure no foreign material enters the rear gear case.



MAINTENANCE

Front gear case oil level check

Because of its unique design, draining and filling the gear case is required to produce the correct oil level. Refer to 'Rear gear case oil change'

Front gear case oil change

1. Place the vehicle on a level surface.
2. Place a container under the front gear case to collect the oil.
3. Remove oil fill plug **1** and drain bolt **2** as shown to drain used oil.
4. Install the drain bolt and tighten it to the specified torque.

Drain Bolt Torque: **18.4 ft-lb. (25 N•m)**

5. Add recommended amount of gear oil into the gear case.

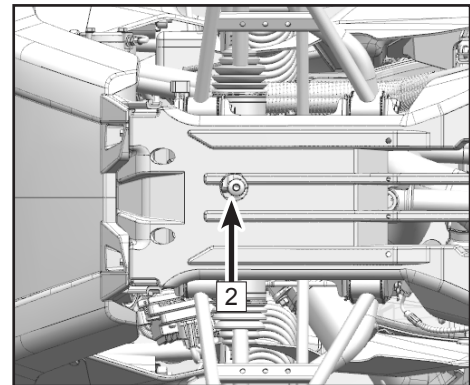
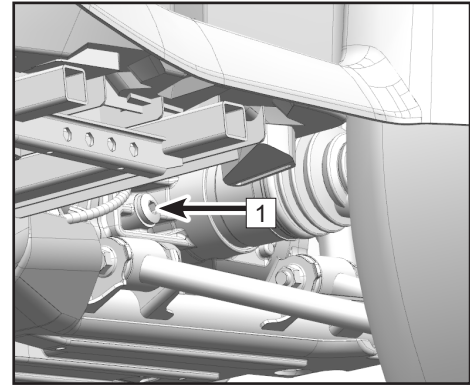
Oil Change Capacity: **7.7 oz. (230mL)**

6. Install the filler plug and tighten it to the specified torque.

Fill Bolt Torque: **18.4 ft-lb. (25 N•m)**

7. Check for oil leaks. If an oil leak is found, check and repair it.

NOTE: Ensure no foreign material enters the gear case.



MAINTENANCE

Cooling System

Coolant level check

1. Place the ATV on a level surface.
2. Coolant reservoir level indicator **1** is located on the front left of the vehicle. Check the coolant level in the reservoir when the engine is cold, as the coolant level will vary with engine temperature.

NOTE: Maintain the coolant level between the upper **3** and lower **4** limit marks.

3. If the coolant is at or below the lower limit mark, remove the access cover and reservoir cap **2**, then add coolant to the upper limit mark. Reinstall the reservoir cap and the access cover.

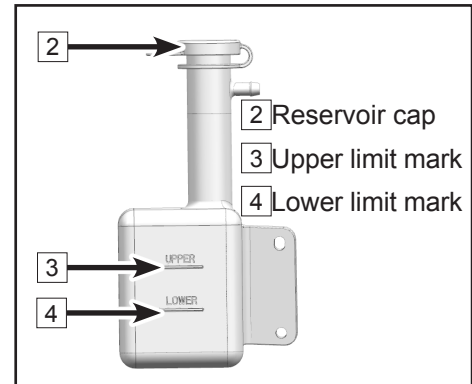
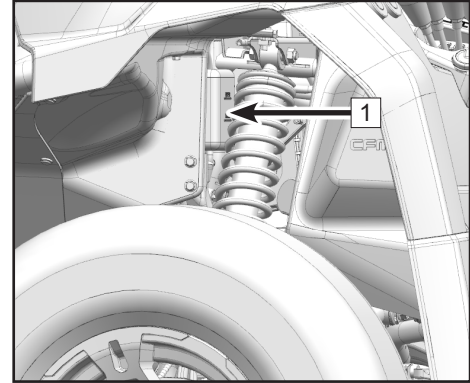
NOTE: Lowest capacity of coolant reservoir: 0.21 qt (0.2 L)

⚠ CAUTION

Add distilled water only. Hard water or salt water is harmful to the engine. Soft water is allowable if distilled water is not available.

⚠ CAUTION

If only water is added, have your dealer check the antifreeze content of the coolant as soon as possible. Radiator fan operation is automatically switched on or off according to the coolant temperature in the engine. Keep hands and clothing away from the fan.



MAINTENANCE

Front Access Cover

Remove the front access cover when inspection and maintenance is necessary of the radiator, coolant reservoir, brake fluid reservoir, relay box, and fuses.

Removal:

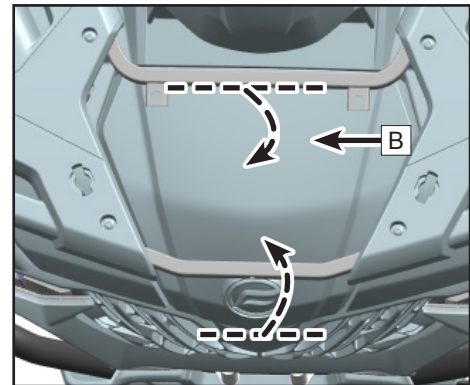
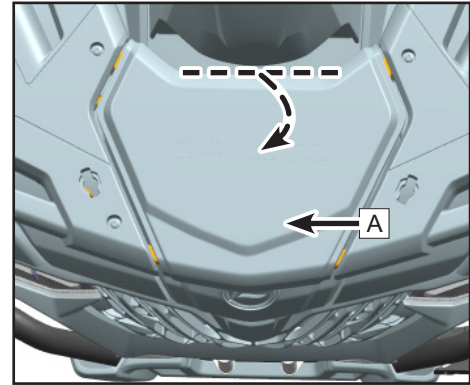
Grasp the front rack cover edge **A**, pull upward to release the grommet pins, then remove the cover toward the front of the vehicle.

Grasp the edge of the access cover **B**, pull upward to release the grommet pins, then remove the cover toward the front of the vehicle.

Install:

Insert the cover tabs into the corresponding holes on the body, then align the grommet pins and press down.

NOTE: Maintain easy removal cover by applying thin lubricant to the grommet pins occasionally.



MAINTENANCE

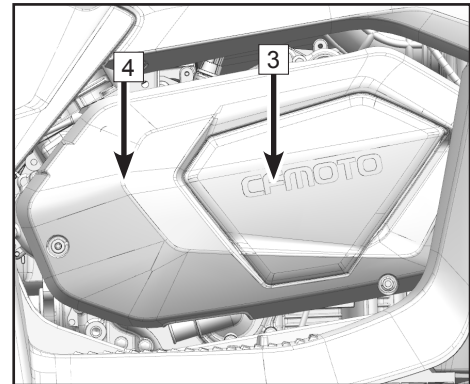
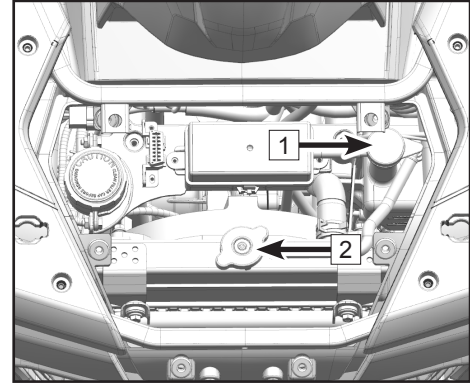
Changing the coolant

Draining:

⚠ CAUTION

Never remove the radiator cap immediately when the engine is hot. Wait for the engine to cool sufficiently before removing the radiator cap. Hot coolant can cause serious burns. .

1. Place the ATV on a level surface.
2. Remove the front access cover.
3. Remove the radiator cap [2] .
4. Remove the coolant reservoir cap [1] .
5. Place a container under the engine, and then remove:
 - The small engine left cover [3] .
 - The engine left cover [4] .
 - The coolant drain bolt [5] (Use a trough or similar object to direct coolant into the container).
6. Disconnect the hose from the coolant reservoir, and drain the coolant into a container.
7. After draining the system, thoroughly flush the system with clean water. Allow the water to drain completely from the coolant drain.

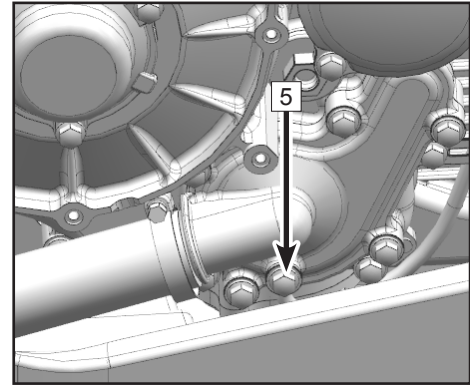


MAINTENANCE

8. Replace the coolant drain bolt washer if it is damaged, then install and tighten the coolant drain bolt, but do not torque to specification.
9. Reinstall the coolant reservoir hose.
10. Fill the radiator with the recommended coolant until it is full. When filling coolant, at the same time loosen the coolant drain bolt [5] to draw out air from inside the coolant hose until steady coolant flows out, then tighten the drain bolt to specification

Drain Bolt Torque: **7.3 ft-lb. (10 N•m)**

11. Place the vehicle on an uphill incline, then start the engine and let it idle for several minutes until the cooling fan activates. Stop the engine and allow it to cool. Check the coolant level in the radiator. If it is low, add more coolant until it reaches the top of the radiator. Repeat as necessary.
12. Install the radiator cap.
13. Fill the coolant reservoir with coolant to the upper limit.
14. Install the coolant reservoir cap and check for coolant leaks. If any leaks are found, have your dealer check the cooling system.
15. Reinstall:
 - The engine left cover. Fastener Torque: 7.3 ft-lb. (10 N•m)
 - The small engine left cover.
 - The front access cover.



MAINTENANCE

NOTE:

Recommended Antifreeze: Any high-quality ethylene glycol antifreeze containing corrosion inhibitors for aluminum engines.

CFMOTO recommended coolant freeze protection level: -35°C .

Antifreeze and distilled water mixing ratio: 1:1

Total Coolant Capacity (except coolant reservoir): 2.3 qt. (2.18 L)

Coolant Change (except coolant reservoir): 2.22 qt. (2.1 L)

Coolant Reservoir Capacity: 0.21 qt. ~ 0.4 qt. (Lower mark: 0.2 L / Upper mark: 0.38 L)

Hard water or salt water is harmful to the engine. Use only distilled water to mix with coolant.

CAUTION

CFMOTO uses Organic Acid Technology (OAT) coolant in all liquid-cooled engines. Do not mix with inorganic (IAT) coolant. If replacing with different coolant, please contact your dealer to completely remove the residual coolant. Different coolant colors / types may lead to component failure.

Radiator Cleaning

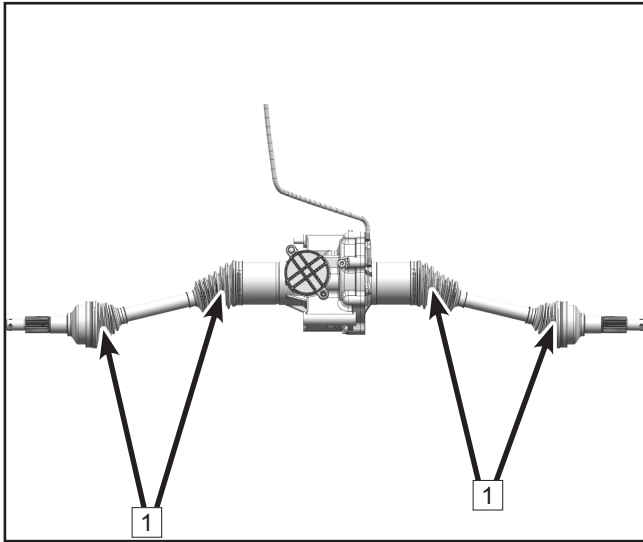
Clean the front and back external surfaces of the radiator if it is covered with mud or debris to ensure it continues to efficiently cooling the engine. Use only low pressure water to clean the radiator. High pressure washers can damage the cooling fins. Ensure that the water can flow can flow freely through the radiator fins. This is a sign that cooling air will be allowed to pass through.

MAINTENANCE

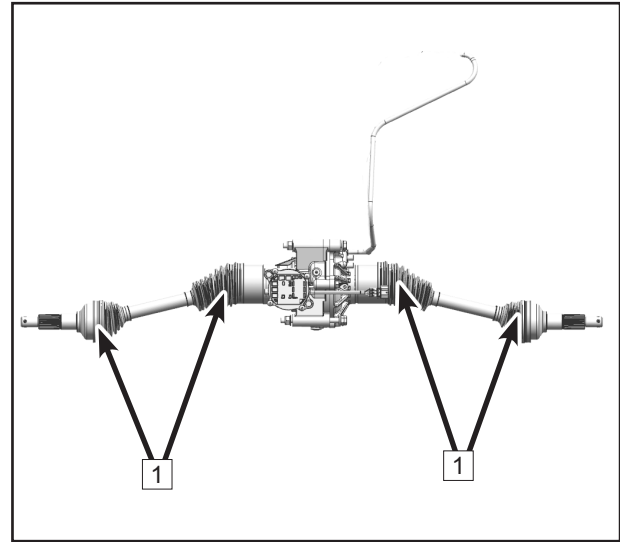
CV Axle Boots

Check the protective boots **1** for holes or wear. If any damage is found, have them replaced by your dealer.

Rear :



Front:



MAINTENANCE

Spark Plug Inspection

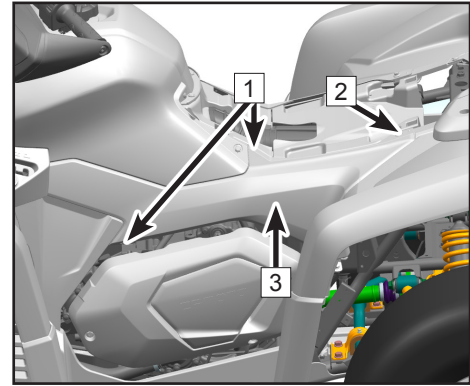
To access the spark plug, the following components must be removed:

Left Deco Panel

Remove the expansion screws **1**

Remove the bolt **2**

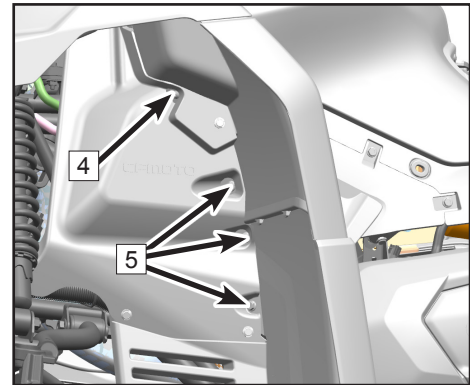
Remove the cover **3**;



Shifter Cover

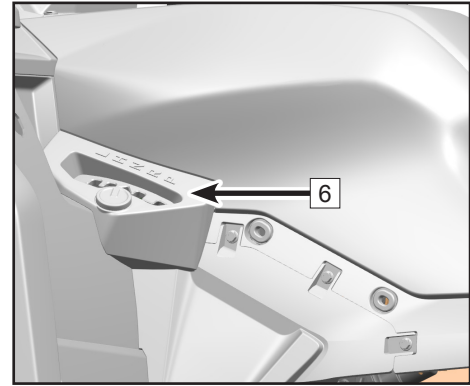
Remove the screw **4**;

Remove the bolts **5**;



MAINTENANCE

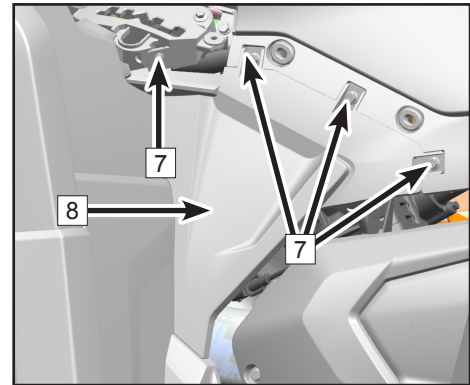
Remove the cover **6** .



Lower Side Cover

Remove the bolts **7** .

Remove the left lower side cover **8** .



MAINTENANCE

Removal

Remove the spark plug cap.

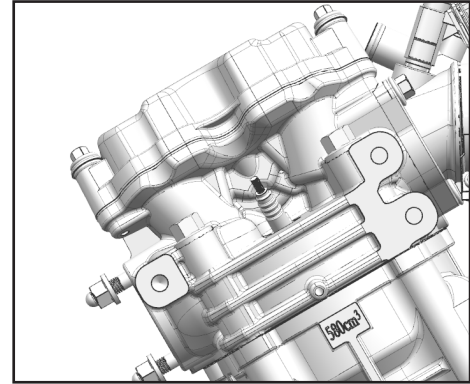
A spark plug wrench is supplied in the tool kit to remove the spark plug.

Inspection

The spark plug is an important engine component and is easy to inspect. The condition of the spark plug can indicate the condition of the engine. The ideal color on the white insulator around the center electrode is a medium-to-light tan color for a ATV that is being ridden normally.

Do not attempt to diagnose such problem yourself. Instead, take your ATV to a dealer. You should periodically remove and inspect the spark plug because heat and deposits will cause the spark plug to slowly break down and erode. If electrode erosion becomes excessive, or if carbon and other deposits are excessive, you should replace the spark plug with the specified plug.

Specified Spark Plug: **NGK(R)CR8EK**



MAINTENANCE

Measure the electrode gap with a thickness gauge, and if necessary, adjust the gap to specification.

Spark Plug Gap [a]: **0.7 mm ±0.05 mm**

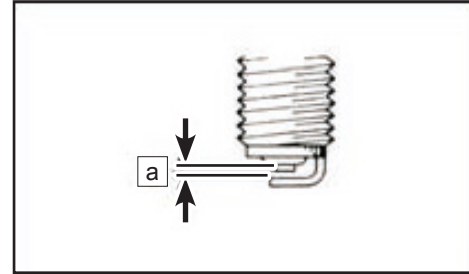
Installation

1. Clean the gasket surface. Wipe off any grime from the threads.
2. Install spark plug and tighten to specified torque.

Spark Plug Torque: **14.8 ft-lb. (20N•m)**

If a torque wrench is not available, a good estimate of the correct torque is 1/4 to 1/2 turn past finger tight. Have the spark plug tightened to the specified torque as soon as possible.

3. Install the spark plug cap.
4. Install the panels and shifter cover.



MAINTENANCE

Spark Plug Removal To Expel Water From The Engine

If water has been ingested into the engine, it is important to remove the water as soon as possible by removing the spark plug and using the starter system to rotate the engine for a short period to expel water out of the cylinder. Verify that the air box has been drained of water before attempting to expel water.

CAUTION

Major engine damage can result if the vehicle if water is ingested into the engine. Have the vehicle serviced by your dealer promptly if your vehicle becomes immersed or stalls in water that exceeds the footrest level. It is important to contact your dealer for service before starting the engine if water has been ingested. Water inside the engine can cause a 'hydraulic lock' effect that can damage the starter and engine components. The engine oil should be checked for water contamination. Drain and refill with new engine oil if water is found in the crankcase.

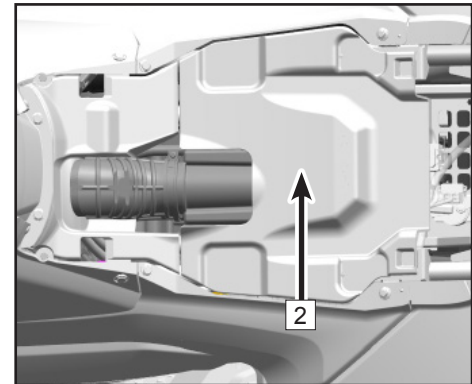
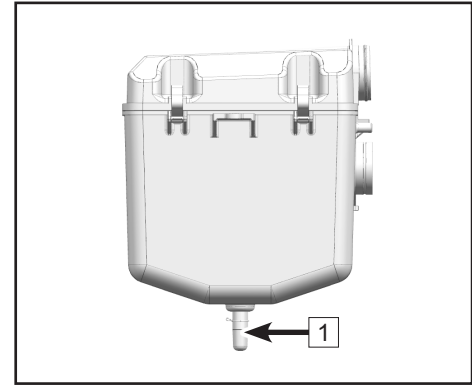
MAINTENANCE

Air Filter Element

A check hose [1] is located at the bottom of the air filter housing. If dust or water can be viewed in this hose, empty the hose and clean the air filter housing thoroughly. If the vehicle was submerged, please contact your local dealer to check for water inside the engine crankcase.

Air filter maintenance

1. Remove the seat.
2. Remove the upper protector of air filter [2].
3. Remove the cover spring clips [3] and bolt [4].
4. Remove the filter housing cover [5].
5. Loosen the air filter clamp [6] and remove the foam pre-filter [7].
6. Remove the foam pre-filter [7] from the air filter.
7. Wash the foam pre-filter gently with soap and water, and allow it to completely dry.
8. Inspect the paper air filter and verify it is okay to reinstall. Softly brush off accumulated dust if necessary. Install a new filter as necessary.



CAUTION

Do not wash the paper filter element or clean with compressed air.

9. Install the pre-filter onto the air filter. Apply a thin film of

MAINTENANCE

lubricant on the inside diameter of the air filter rubber seal.

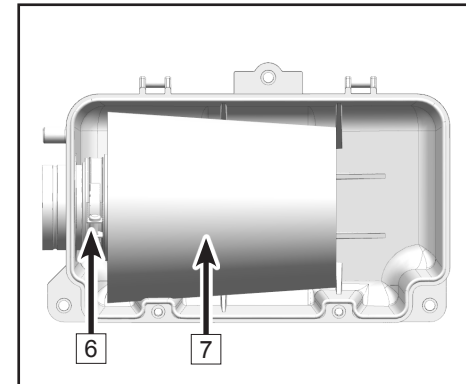
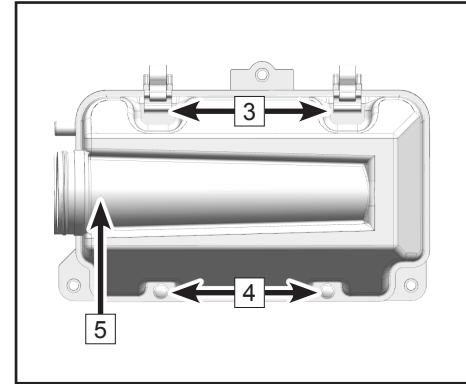
10. Install the air filter and clamp onto the air filter housing inlet. Tighten the clamp securely.
11. Reinstall the air filter housing cover and spring clips. Verify the cover is installed correctly and is sealing properly.
12. Reinstall the decorative cover assembly. Ensure the grommets are engaged and secure.

NOTE:

The air filter must be checked and replaced more often if the machine is operated in extremely dusty areas or if it becomes wet. Each time air filter maintenance is performed, check the air inlet to the air filter box for obstructions, the fittings of the air filter housing rubber joint, throttle body, and manifold for an airtight seal. Check that all fittings are tightened securely to avoid the possibility of unfiltered air entering the engine.

CAUTION

Do not start engine without an air filter element. Unfiltered air will cause engine wear and damage. Driving without an air filter will also decrease performance and can lead to engine overheating.



MAINTENANCE

Drying the air filter housing after submersion

If water has been ingested into the air filter housing, Drain the air filter housing, remove the air filter, and thoroughly dry the components. Do not use compressed air. Contact your dealer if vehicle performance issues exist.

CAUTION

Do not operate the engine without an air filter element. Unfiltered air will enter into the engine and cause engine wear and damage. Driving without an air filter will also decrease performance and can lead to engine overheating.

CAUTION

Major engine damage can result if the vehicle if water has been ingested into the air filter housing, and engine. Have the vehicle serviced by your dealer promptly if your vehicle becomes immersed or stalls in water that exceeds the footrest level. It is important to contact your dealer for service before starting the engine, as water may have been ingested in the air box and engine.

MAINTENANCE

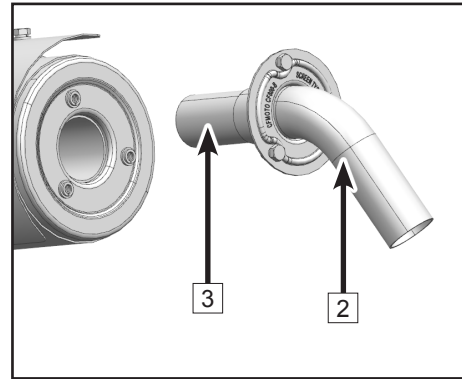
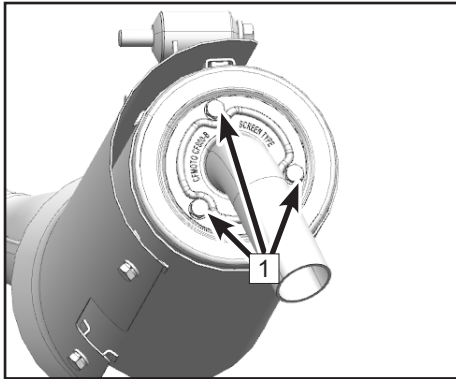
Spark Arrestor

Clean spark arrestor while muffler and exhaust are in normal temperature.

1. Remove the fasteners **1**.
2. Remove spark plug arrestor **2** from muffler.
3. Tap the tailpipe lightly, and then use a wire brush to remove any carbon deposits **3** from the spark arrestor portion of the tailpipe.
4. Insert the tailpipe into the muffler and align the bolt holes.
5. Install and tighten the fasteners.

⚠ WARNING

When cleaning the spark arrestor: Always let the exhaust system cool prior to touching exhaust components. Do not start the engine when cleaning the exhaust system.

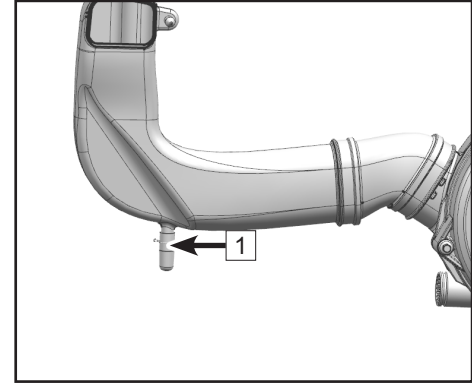


MAINTENANCE

CVT System

CVT air outlet indicator hose

If dust or water can be viewed in this hose **1**, empty the hose and clean or drain the CVT housing. If the vehicle was submerged, contact your local dealer to check the CVT housing and components thoroughly.

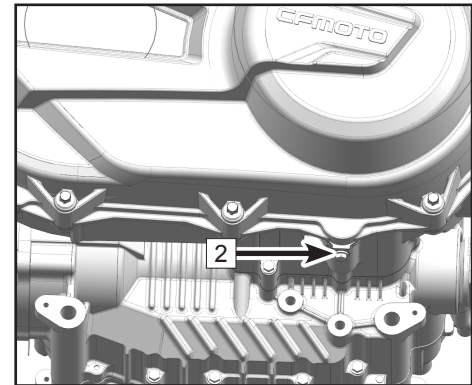


CVT cover drain bolt

If the vehicle was submerged in water deep enough that water entered the CVT housing, remove the drain bolt **2**. to drain the water from the case.

CAUTION

If water drains from the CVT housing after removing the bolt, have your dealer inspect the vehicle, as water may have affected the CVT system and other engine parts.



MAINTENANCE

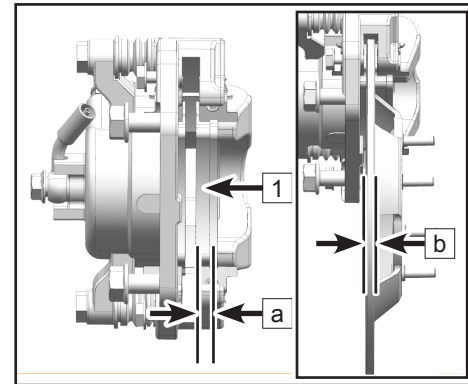
Brake System

Brake pad inspection

Check the brake pads **1** for damage and wear. If the pad thickness **a** is less than 0.059 in. (1.5mm) or the disc thickness **b** is less than .157 in. (4.0mm), have your dealer replace them. Replacement of brake components requires professional knowledge. These procedures should be performed by your dealer.

NOTE:

Wheel removal is required to check brake pads.



MAINTENANCE

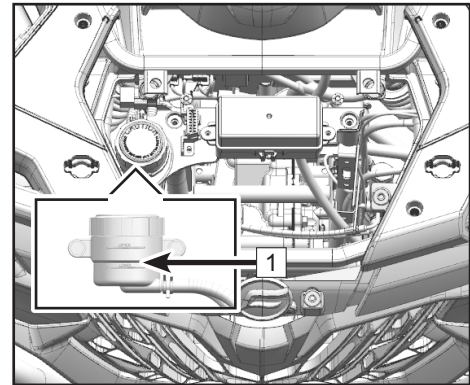
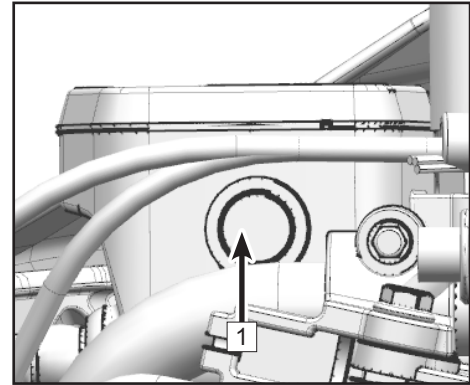
Brake system inspection

Check the brake fluid level **1** before every ride.

The front brake fluid master cylinder reservoir is located on the right side of the handlebar.

The foot brake fluid master cylinder reservoir is located under the front access cover

Insufficient brake fluid may let air enter the brake system, possibly causing the brakes to become ineffective. Before riding, check that the brake fluid is above the lower level and replenish when necessary.



MAINTENANCE

Observe these inspection precautions:

1. Ensure the ATV is parked on level ground.
2. When checking the front brake fluid level, make sure the master cylinder reservoir is level by turning the handlebar until the steering is centered and the wheels are pointed forward.
3. Use only the designated quality brake fluid. Otherwise, the rubber seals may deteriorate, causing leaks and poor brake performance.

Recommended Brake Fluid: **DOT 4**

4. Refill with the same type of brake fluid. Mixing fluids may result in a harmful chemical reaction and lead to poor brake performance.
5. Be careful that water does not enter the master cylinder reservoir when refilling. Water will significantly lower the boiling point of the fluid and may result in vapor lock.
6. Brake fluid may deteriorate painted surfaces or plastic parts. Always clean up spilled fluid immediately.
7. Have your dealer check the cause if the brake fluid level goes down.

MAINTENANCE

Brake fluid change

Complete fluid replacement should be done only by trained service personnel. Have your dealer replace the following components during periodic maintenance or when they are damaged or leaking.

- Replace the brake hoses every four (4) years.

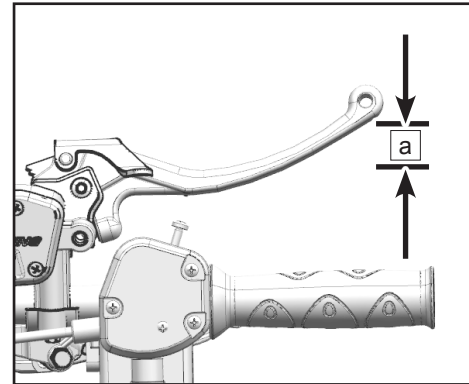
⚠ DANGER

(After servicing):

- All air must be bled from the brake system. Servicing of brake components requires professional knowledge. These procedures should be performed by your dealer.
- Make sure the brakes operate smoothly and that freeplay is correct.
- Make sure the brakes do not drag.
- Make sure the brakes are not spongy.

Front lever freeplay **a**

The front brake lever should have a small amount of freeplay at the lever end. If it does not, contact your dealer to check the brake system.



MAINTENANCE

Parking brake

When parking, stop the engine and grasp tightly the right hand brake, press foot brake at the same time, then press the hydraulic parking brake **1** by left hand.

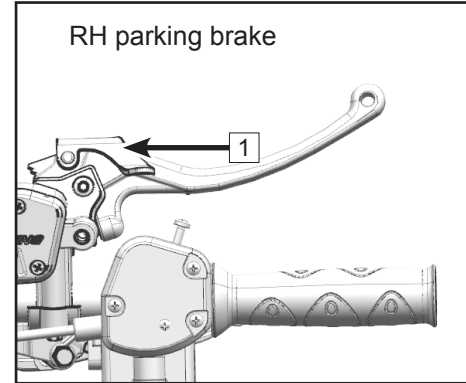
⚠ WARNING

Operating the ATV while the parking brake is engaged could result in an accident and serious injury or death.

Always check to be sure the parking brake is disengaged before operating.

Important Safeguards

The parking brake may relax if left on for a long period of time. Always block the wheels to prevent rolling. Never depend on the parking brake alone if the ATV/Quadricycle is parked on a hill. Always block the wheels on the downhill side of the ATV/Quadricycle to prevent rolling. Another option is to park the ATV/Quadricycle in a sidehill position.



MAINTENANCE

Foot brake pedal height adjustment

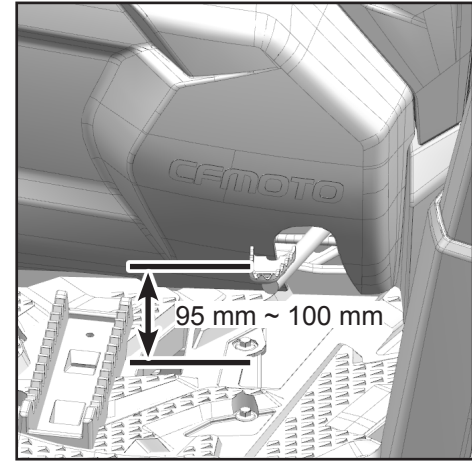
NOTE:

The top of the brake pedal should be positioned 95 mm ~ 100 mm above the top of the footrest. If it is not, have your dealer to adjust it.

DANGER

(After servicing):

- Make sure the brakes operate smoothly and that freeplay is correct.
- Make sure the brakes do not drag.
- Make sure the brakes are not spongy.



Foot brake light switch

Check switch assembly or cable is properly fixed in case of brake light failure.

MAINTENANCE

Control cables

Lubricate the inner cable and the cable ends for the throttle and parking cables. Maintain and replace the cables according to the maintenance schedule.

WARNING

Inspect cables frequently. Replace damaged cables. If the cables do not operate smoothly, ask your dealer to replace them.

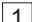
Recommended Cable Lubricant: **SAE 10W/30 Oil**

Suspension Pivots

Front Suspension:

The front suspension is not equipped with grease nipples. No maintenance is required.

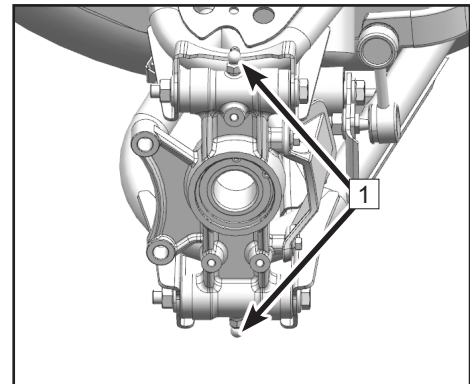
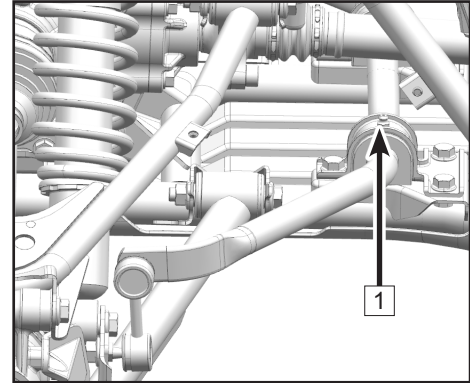
Rear Suspension and Stabilizer Bar:

Add All-season grease into the grease nipples  with a grease gun until it begins to flow from the bushing.

NOTE:

The grease nipples are symmetrical left and right.

There are 2 grease nipples on the rear stabilizer bar, and 4 grease nipples on the rear suspension.



MAINTENANCE

Wheel and Tires

Removal and installation

Removal

1. Loosen the wheel nuts **1** .
2. Elevate the ATV and place a suitable stand under the frame.
3. Remove the nuts from the wheel.
4. Remove the wheel.

Installation:

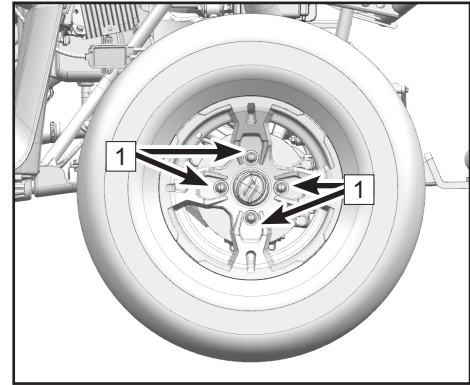
1. Install the wheel and the nuts.

NOTE:

- Tapered nuts are used for both the front and rear wheels. Install the nut with its tapered side towards the wheel.
 - The arrow mark on the tire must point toward the rotating direction of the wheel.
2. Lower the ATV so that the wheel is on the ground.
 3. Tighten the wheel nuts to the specified torque.

NOTE:

Wheel Nut Torque: **52.4 ~ 59 lb-ft. (70 ~ 80 N•m).**



MAINTENANCE

Tire pressure

Inspect the tire pressure before operation:

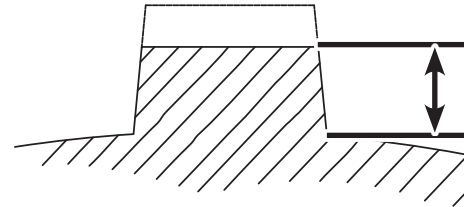
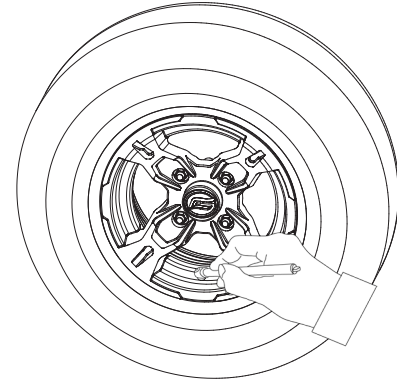
Front: **6.5 psi (45 kPa)**

Rear: **6.5 psi (45 kPa)**

Tread depth

Inspect the tread depth regularly and replace the tires if the minimum tread depth is less than the specification.

Minimum Tread Depth: **3/32 in. (3.0 mm)**



MAINTENANCE

Battery / Electrical

This machine is equipped with low maintenance battery which is located under front access cover. Therefore, it is not necessary to check the electrolyte or add distilled water in the battery. If the battery seems to have discharged, consult your dealer.

Battery Size Specification: **12Vdc / 30Amp-hour**

⚠ WARNING

Do not try to remove the sealing caps of the battery cells. You will damage the battery.
--

⚠ DANGER

Avoid contact with skin, eyes or clothing. Always shield eyes when working near batteries. Keep out of reach of children.

Antidote:

EXTERNAL: Flush with water. INTERNAL: Drink large quantities of water or milk. Follow with milk of magnesia, beaten egg or vegetable oil. Get prompt medical attention.

EYES: Flush with water for 15 minutes and get prompt medical attention. Keep batteries away from sparks, flames, cigarettes or other sources of ignition. Ventilate when charging or using in a closed space.

Battery maintenance guidelines:

- CFMOTO recommends for vehicles not used within 30 days (battery remains in the vehicle) to charge the battery monthly or keep the battery connected to a trickle charger (battery maintainer).
- A special battery charger (constant low voltage/ampere) is required for recharging low maintenance batteries. Using a conventional battery charger may shorten the battery life.
- Always make sure the cable connections are the correct polarity when reinstalling the battery. RED ('+' positive) / Black ('-' negative). Always disconnect the RED ('+' positive) cable last during removal, and reconnect it first during installation.
- Corroded battery connections can be cleaned with a mixture of baking soda and water.

MAINTENANCE

Battery Disassembly

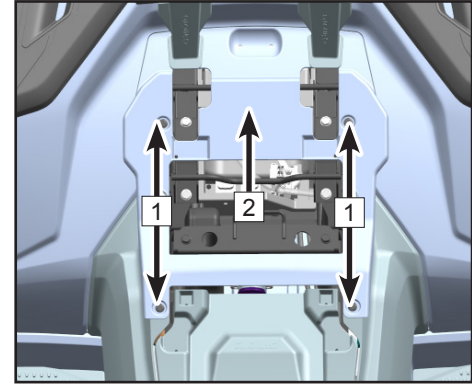
Turn off all electrical parts and the engine before disassembly.

Disassembly (The L model)

Remove the passenger and operator seats.

Remove the expansion screws [1].

Remove the deco panel [2].



Remove bolt [3].

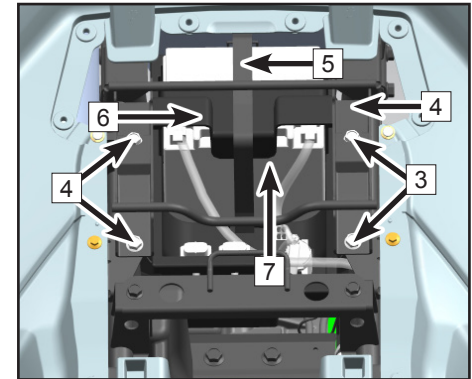
Remove the rear seat mounting bracket [4].

Remove the belt [5] and electrode cover [6].

Remove the fixing bolt of battery negative wire together with the wire.

Remove the fixing bolt of battery positive wire together with the wire.

Take out the battery [7].



MAINTENANCE

Assembly (The L model)

Mount the battery **1** in place.

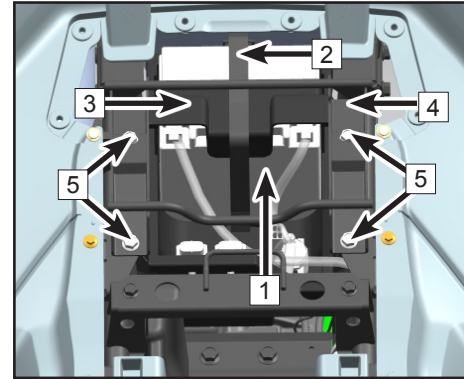
Mount the positive wire onto the battery positive bolt.

Mount the negative wire onto the battery negative bolt.

Mount the belt **2** and electrode cover **3**.

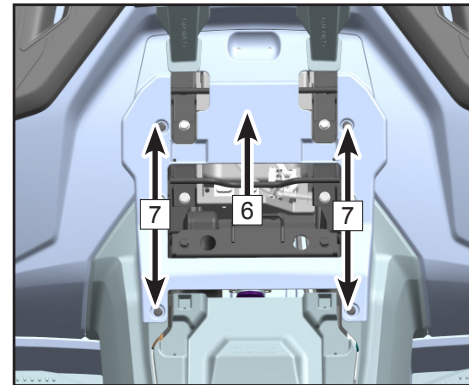
Mount the rear seat mounting bracket **4**.

Mount the bolt **5**.



Mount the deco panel **6**.

Mount the expansion screws **7**.



MAINTENANCE

Disassembly (The S model)

Remove the expansion screws [1].

Remove the deco panel [2].

Remove the bolt [3].

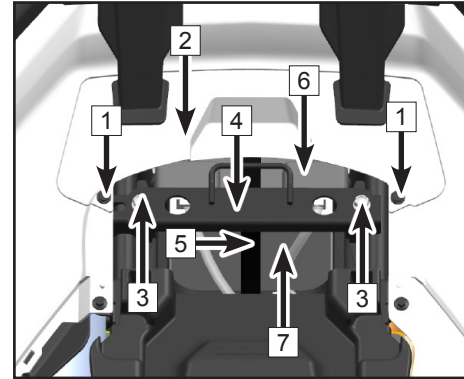
Remove the front seat assembling bracket [4].

Take out the belt [5] and electrode protector [6].

Remove the fixing bolt of battery negative wire together with the wire.

Remove the fixing bolt of battery positive wire together with the wire.

Take out the battery [7].



Assembly (The S model)

Mount the battery [1] in place.

Mount the positive wire onto the battery positive bolt.

Mount the negative wire onto the battery negative bolt.

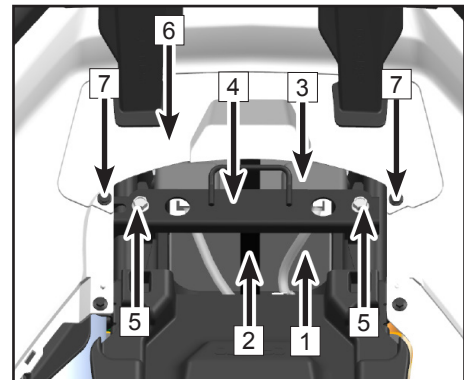
Mount the belt [2] and electrode cover [3].

Mount the rear seat mounting bracket [4].

Mount the bolt [5].

Mount the deco panel [6].

Mount the expansion screws [7].



MAINTENANCE

Fuse and Relay replacement

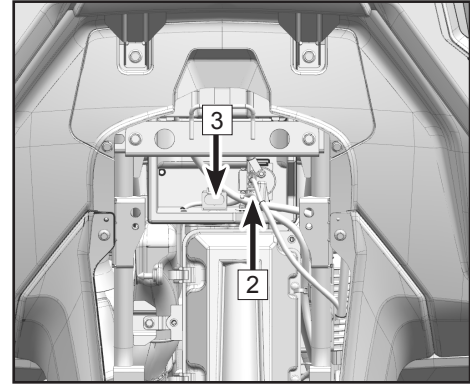
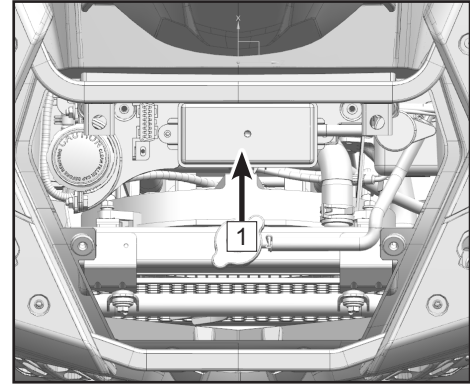
1. Relay / Fuse box **1** is located under the front access cover. Main fuse 30A **2** and EPS fuse 40A **3** are located under the seat.
2. If a fuse is blown, turn off the main switch and install a new fuse of the specified amperage. Test by turning on main power and switches. If the fuse immediately blows again, consult your dealer.

⚠ CAUTION

Always use a fuse of the specified rating.

Never use conductive material in place of the proper fuse.

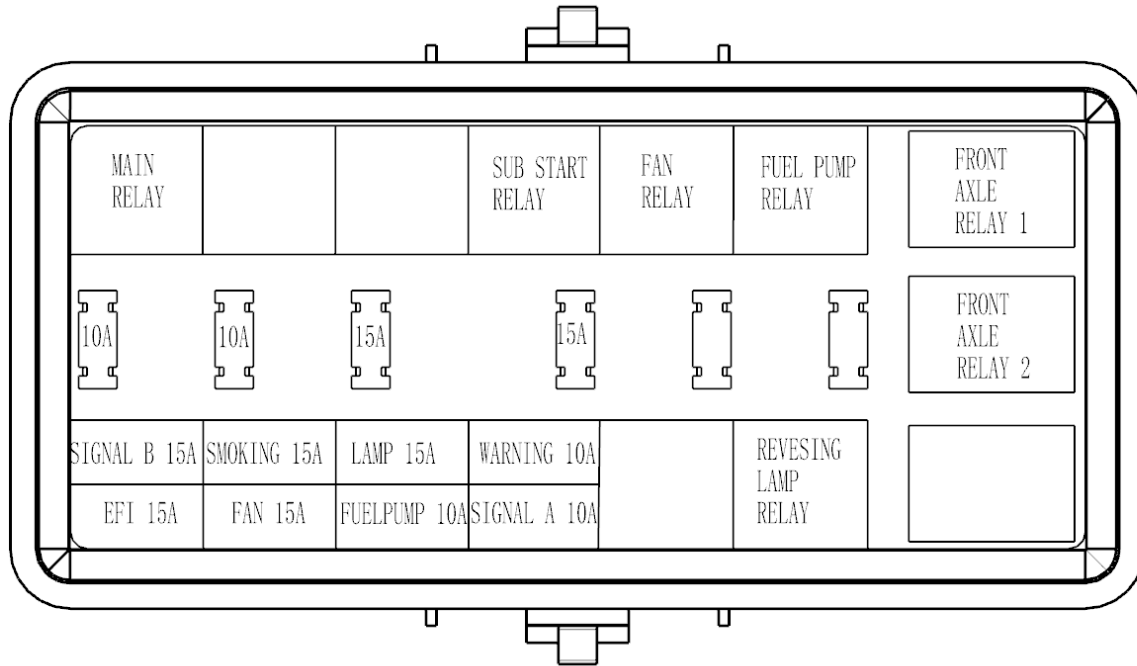
To prevent accidental short-circuit, turn off the main switch when checking or replacing a fuse.



MAINTENANCE

Relay / Fuse Box

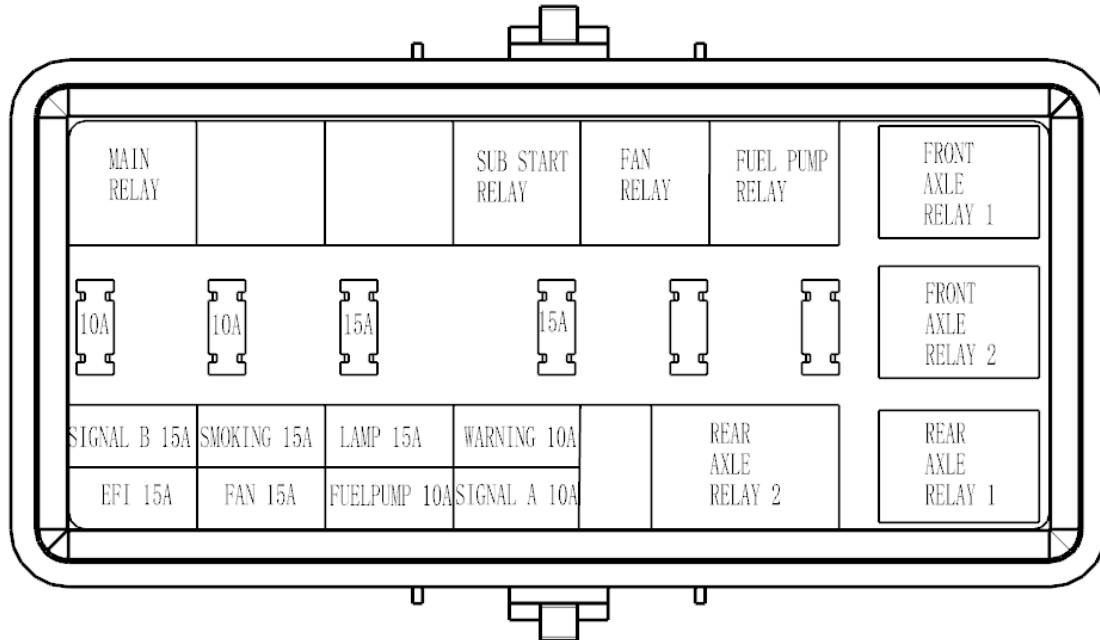
For vehicle without turning light



MAINTENANCE

Relay / Fuse Box

For vehicle with turning light



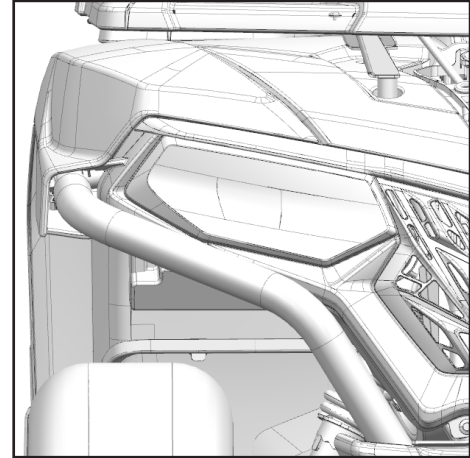
MAINTENANCE

WARNING

To prevent accidental short-circuit, turn off the main switch when checking or replacing a fuse.

Headlight bulb replacement

Both headlight assemblies are LED, which cannot be repaired if damaged or failed. Please have your dealer replace the entire assembly when the LED light is damaged or failed.

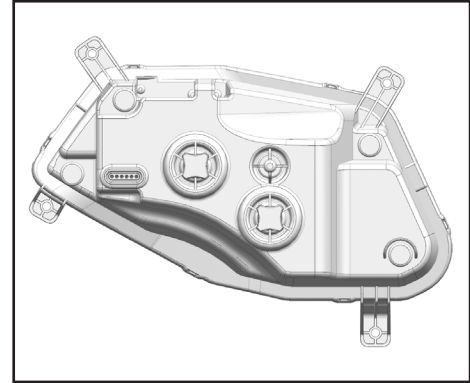


MAINTENANCE

Headlight beam adjustment

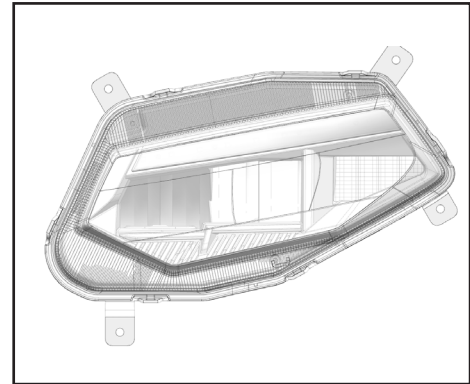
⚠ WARNING

It is advisable to have your dealer make this adjustment. Turn the adjusting screws to raise or lower the beam.



Tail/brake light replacement

Tail/brake assemblies are LED, which cannot be repaired if damaged or failed. Please have your dealer replace the entire assembly when the LED light is damaged or failed.



MAINTENANCE

Front and Rear Suspension Adjustment

Shock absorber spring preload

The spring preload can be adjusted to suit the rider's weight and riding conditions.

When adjusting the rear shock absorbers, the rear wheels are required to be removed.

Adjust the spring preload as follows:

To increase the spring preload, turn the adjuster **1** in direction **a** .

To decrease the spring preload, turn the adjuster **1** in direction **b**

NOTE:

A special wrench **3** (if not supplied in tool kit) can be obtained at a dealer to make this adjustment.

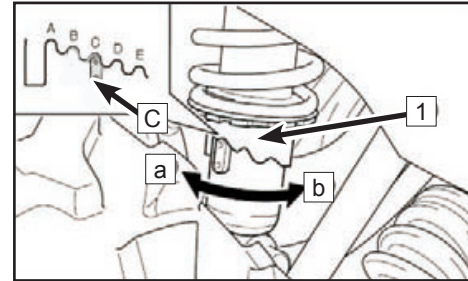
Standard preload position: **C**

A- Minimum (soft)

G- Maximum (hard)

NOTE:

Always adjust the shock absorbers left and right to the same setting. Lifting the vehicle to release suspension pressure aids adjuster movement.



MAINTENANCE

Fuel Evaporation System (EVAP)(If equipped)

Depending on market requirements, in certain areas your vehicle is equipped with a fuel evaporation system (EVAP) that prevents fuel vapors from entering the atmosphere from the fuel tank and fuel system. Never modify any part of this system, which will violate fuel evaporation emission regulations.

During routine maintenance, visually inspect all connections for leaks and blockage, and inspect the hoses for kinks or damage.

No other maintenance is necessary. Contact your dealer if repair is required.

NOTE: Information applies only to vehicles equipped with a fuel evaporation system.

WARNING

If your vehicle becomes immersed, major engine damage can result if the machine is not thoroughly inspected. Water can be ingested through the EVAP system. Take the vehicle to your dealer before starting the engine. For example, if the engine is not properly handled after immersion, starting will damage the engine.

CLEANING & STORAGE

Cleaning & Storage

Cleaning the ATV

Keeping your ATV clean will not only improve its appearance, but it can also extend the life of various components. With a few precautions, your ATV can be cleaned much like an automobile.

Washing the ATV

The best and safest way to clean your ATV is with a garden hose and a pail of mild soap and water. Use a professional type washing mitt, cleaning the upper body first and the lower parts last. Rinse with water frequently and dry with a chamois to prevent water spots.

NOTE:

If warning and safety labels are damaged, contact your dealer for replacement.

CFMOTO does not recommend the use of a high pressure type car wash system for washing your ATV. If a high pressure system is used, exercise extreme care to avoid water damage to the wheel bearings, transmission seals, body panels, brakes, warning labels, air filter intake system and electric system, etc. Water is not allowed to enter the air filter.

NOTE:

Grease all fittings immediately after washing, and allow the vehicle to run for a while to evaporate any water that may have entered the engine or exhaust system.

CLEANING & STORAGE

Waxing the ATV

Your ATV can be waxed with any non-abrasive automotive paste wax. Avoid the use of harsh cleaners since they can scratch the body finish.

 CAUTION
--

Certain products, including insect repellents and chemicals, will damage plastic surfaces. Use caution when using these products near plastic surfaces.

Perform repairs

Make necessary repairs to your vehicle before storing to prevent further damage the next time you operate it.

Check the tires

Inspect the tire treads and overall condition. Set the tires to the specified air pressure.

CLEANING & STORAGE

Oil and Filter

Warm the engine, then stop the engine and change the oil and filter.

Air Filter/ Air Box

Inspect and clean or replace air filter. Clean the air box and drain the sediment tube.

Check fluid levels

Inspect the following fluid levels and change if necessary:

- Front gear case
- Rear gear case
- Brake fluid (change every two years or as required if fluid looks dark or contaminated)
- Coolant (change every two years or as required if coolant looks contaminated)
- Fuel Level (add fuel stabilizer according to the product label directions)

Stabilize the fuel

Fill the fuel tank with fresh fuel that has been treated with fuel stabilizer according to the product label directions. Do not allow untreated fuel to remain in the tank longer than 30 days, as the fuel begins to degrade and can cause damage to the fuel system components.

Battery storage

Remove the battery from the vehicle and ensure that it is fully charged before placing it in storage. Protect the battery from freezing temperatures, which can damage the battery.

CLEANING & STORAGE

Lubricate

Inspect all cables and lubricate with cable lubricant according to the product label directions. Grease the vehicle pivot points with all-season grease.

'Fog' the engine

1. Remove the left side panel to access the spark plug.
2. Remove the spark plug, rotate the piston to the bottom of its stroke and pour approximately 2 oz.(15 mL ~ 20 mL) of engine oil into the spark plug hole.

NOTE:

Do this carefully! If you miss the spark plug hole, oil will drain from the spark plug cavity, and appear to be an oil leak. To access the spark plug hole, use a section of clean hose and a small plastic squeeze bottle filled with the pre-measured amount of oil.

3. Reinstall the spark plug. Torque the spark plug to specification.
4. Turn engine over several times slowly. Oil will be forced in and around the piston, piston rings and the cylinder will be coated with a protective film of fresh oil.
5. Reinstall the spark plug cap and coverings.

NOTE:

Starting the engine during the storage period will disturb the protective film created by fogging. Corrosion could occur. Never start the engine during the storage period.

CLEANING & STORAGE

Engine Coolant

Test engine coolant strength and change if necessary. Coolant should be replaced every two years.

Storage Area/Covers

Set the tires to specified air pressure and support the ATV with tires 30 mm ~ 40 mm off the ground. Be sure the storage area is well ventilated and cover the machine with a ATV cover.

NOTE:

Do not use plastic or coated materials. They do not allow enough ventilation to prevent condensation, and may promote corrosion and oxidation.

If an engine fogging procedure is not performed, it is recommended to warm up the engine every 3 months and idle for 5 to 10 minutes so that the engine can be fully lubricated.

Vehicles that have been disabled for a long time should avoid pulling or high speeds immediately after starting, which will cause excessive engine wear and affect the engine life.

CLEANING & STORAGE

Transporting the Vehicle

Follow these procedures when transporting the vehicle:

- Turn off the engine and remove the key to prevent loss during transporting.
- Ensure the fuel cap is installed correctly and secure.
- Ensure the seat is installed correctly and secure.
- Place the gear into any position except the parking position, and block the front and rear wheels to prevent the vehicle from moving.
- Secure both the front and rear of the vehicle frame to prevent the vehicle from sliding or moving during transport.

⚠ CAUTION
Never transport with the gear selector in Park position. Transmission damage will result.
Never use the winch as a securing device for transport. Damage to the winch will result.

VEHICLE DIAGNOSIS

Vehicle Issue Diagnosis

This section is intended to guide an average owner to simple items that could cause operating problems. Diagnosis of vehicle issues may require the experience of a dealership technician. Please contact your dealer if a solution is not apparent.

Engine doesn't turn over

Fail Reason	How To Avoid Failure
Poor engine performance.	Check for fouled plugs or foreign material in gas tank, fuel lines, or throttle. Contact your dealer for service.
Tripped circuit breaker	Reset the breaker or replace the fuse
Low battery voltage	Recharge battery to 12.8 Vdc
Loose battery connections	Check all connections and tighten
Loose solenoid connections	Check all connections and tighten

Engine Pings or Knocks

Fail Reason	How To Avoid Failure
Poor quality or low octane fuel	Replace with recommended fuel
Incorrect ignition timing	See your dealer
Correct spark plug gap or heat range	Set gap to specs or replace plugs

VEHICLE DIAGNOSIS

Engine Stops or loses power

Fail Reason	How To Avoid Failure
Overheated engine	Clean radiator screen and core Clean engine exterior See your dealer

Engine Turns Over, Fails to Start

Fail Reason	How To Avoid Failure
Out of Fuel	Refuel
Clogged fuel valve or filter	Inspect and clean or replace
Water is present in fuel	Drain the fuel system and refuel
Fuel valve is out of use	Replace
Old or non-recommended fuel	Replace with new fuel
Fouled or defective spark plug (s)	Inspect plug (s), replace if necessary
No spark to spark plug	Inspect plug (s), verify stop switch is on
Crankcase filled with water or fuel	Immediately see your dealer
Overuse of choke	Inspect, clean and/or replace spark plugs
Clogged fuel injector	Clean or replace new fuel injector
Low battery voltage	Recharge battery to 12.8 Vdc
Mechanical failure	See your dealer

VEHICLE DIAGNOSIS

Engine Backfires

Fail Reason	How To Avoid Failure
Weak spark from spark plugs	Inspect, clean and/or replace spark plugs
Incorrect spark plug gap or heat range	Set gap to specs or replace plugs
Old or non-recommended fuel	Replace with new fuel
Incorrectly installed spark plug wires	See your dealer
Incorrect ignition timing	See your dealer
Mechanical failure	See your dealer

Engine Runs Irregularly, Stalls or Misfires

Fail Reason	How To Avoid Failure
Fouled or defective spark plugs	Replace with recommended fuel
Worn or defective spark plug wires	See your dealer
Incorrect spark plug gap or heat range	Set gap to specs or replace plugs
Loose ignition connections	Check all connections and tighten
Water present in fuel	Replace with new fuel
Low battery voltage	Recharge battery to 12.8 Vdc

VEHICLE DIAGNOSIS

Engine Runs Irregularly, Stalls or Misfires

Fail Reason	How To Avoid Failure
Kinked or plugged fuel vent line	Inspect and replace
Incorrect fuel	Replace with recommended fuel
Clogged air filter	Inspect and clean or replace
Reverse speed limiter malfunction	See your dealer
Electronic throttle control malfunction	See your dealer
Other mechanical failure	See your dealer
Possible Lean or Rich Fuel Mixture Cause	Solution
Low or contaminated fuel	Add or change fuel, clean the fuel system
Low octane fuel	Replace with recommended fuel
Clogged fuel filter	Replace filter
Fuel is very high octane	Replace with lower octane fuel

VEHICLE DIAGNOSIS

Engine Stops or Loses Power

Fail Reason	How To Avoid Failure
Out of fuel	Refuel
Kinked or plugged fuel vent line	Inspect and replace
Water present in fuel	Replace with new fuel
Fouled or defective spark plugs	Inspect, clean and/or replace spark plugs
Worn or defective spark plug wires	See your dealer
Incorrect spark plug gap or heat range	Set gap to specs or replace plugs
Loose ignition connections	Check all connections and tighten
Low battery voltage	Recharge battery to 12.8 Vdc
Clogged air filter	Inspect and clean or replace
Reverse speed limiter malfunction	See your dealer
Electronic throttle control malfunction	See your dealer
Other mechanical failure	See your dealer

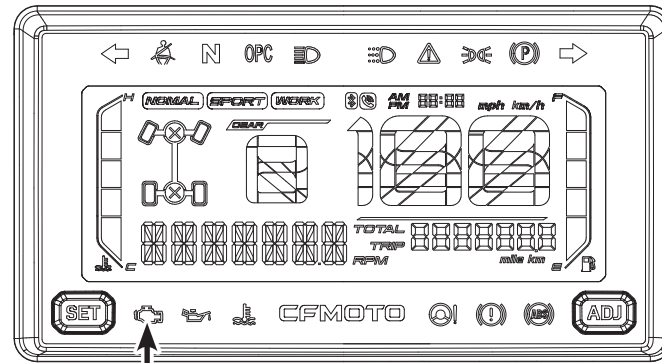
VEHICLE DIAGNOSIS

EFI Malfunction Indicator Light

The Electronic Fuel Injection system on your vehicle contains a self-diagnostic feature that will illuminate the malfunction indicator light (MIL) if it detects a problem. When this indicator is on, the fault code will display on the dashboard directly, record the fault code and contact your dealer for diagnosing. Your dealer has the EFI tool required to diagnose, repair and clear trouble codes.

During normal operation, the EFI indicator will be off.

NOTE: The 16-Pin OBD-style connector (located under the front access cover) includes an OBD cap with an internal jumper circuit. The OBD cap must remain in place, or it will lead to no display of the engine RPM or coolant temperature. Do not lose the cap or misplace it.

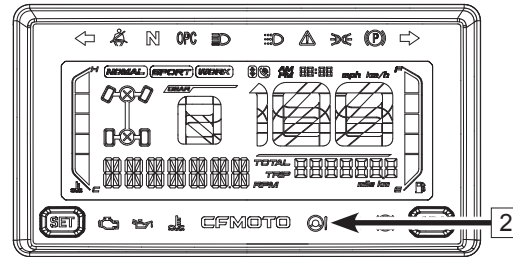
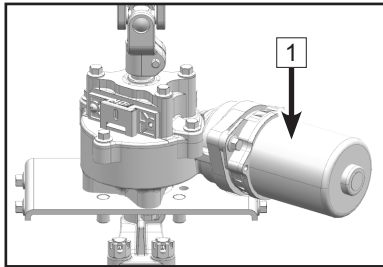


EFI Malfunction Indicator

VEHICLE DIAGNOSIS

EPS Malfunction Indicator Light

The Electronic Power Steering system **1** on your vehicle contains a self-diagnostic feature that will illuminate the malfunction indicator light (MIL- **2**) if it detects a problem. In normal operation, the EPS indicator **2** will be on after the ignition switch is turned ON, but EPS **1** will not work. When the engine is started, the EPS indicator will be off and the EPS starts to function.



Trouble Code

Each trouble code consists of 2 digits, denoted by the times of long flash and short flash of EPS indicator. Times of long flash represent the tens digit.

Times of short flash represent the single digit.

Duration of long flash: 2 sec.

Duration of short flash: 1 sec.

Flash interval: 1 sec.

The flash cycle will repeat after EPS indicator turns off for 3 seconds. Write down the flash sequence and contact your dealer for diagnosis. Your dealer has the special tool required to diagnose, repair and clear trouble codes. Any codes will disappear once the problem has been diagnosed and repaired by your dealer.

VEHICLE DIAGNOSIS

EPS fault diagnosis and solution

Ref No	Trouble shooting	Possible causes	Repair procedures
1	No steering assist to handlebar	Improper plug connection	Check the plugs and connections
		Burnt fuse	Replace fuse
		Failure of Controller, Motor or sensor	Contact authorized dealer and replace the parts.
2	Asymmetrical steering assist to left and right turning	Improper voltage output from sensor	Contact authorized dealer for adjustment or replacement
		Controller, Motor or sensor break down	Contact authorized dealer and replace the parts.
3	Steering swing	Wrong connections at motor terminals	Change the terminal connection of the red and black wire
		Controller or sensor break down	Contact authorized dealer for parts and replacement
4	Low power steering assist	Overuse of choke	Recharge or replace battery
		Motor break down.	Contact authorized dealer for replacement
		Low pressure with Front tires	Inflate tires to the required pressure
5	Noise from system	Motor break down.	Inspect, clean and/or replace spark plugs
		Steering system parts wear out and big clearance exist.	Replace the related parts.
		Improper assembly of steering column or mechanical steering assembly parts	Check and tighten all of bolts.

CFMOTO LIMITED WARRANTY FOR USA CFMOTO Limited Warranty

Dear Customer,

Thank you for purchasing a CFMOTO product, if any component on your vehicle is found to be defective in materials or workmanship within the terms and conditions of this Limited Warranty, the defective component will be repaired or replaced (at the option of CFMOTO) without charge for parts and/or labor at any authorized dealer located within the United States. The CFMOTO Limited Warranty is subject to the following terms and conditions:

WARRANTY TERMS & CONDITIONS

1. WARRANTY DURATION: The duration of the warranty period is one (1) year from the date of the new vehicle purchase from an authorized CFMOTO POWERSPORTS, Inc., Dealer. This warranty coverage is invoked from the purchase and use of CFMOTO vehicles only within the continental United States. During the warranty period, CFMOTO POWERSPORTS, Inc. will cover parts and labor costs incurred by an authorized CFMOTO POWERSPORTS, Inc. Dealer arising from a defect in material and/or workmanship of a CFMOTO vehicle. Any vehicles used for commercial purposes will have their warranty period reduced to six (6) months. If CFMOTO POWERSPORTS, Inc. covers a full engine replacement or a complete vehicle replacement under this warranty, the warranty period does not get extended and remains the same as the original purchase date of the vehicle at issue.

CFMOTO LIMITED WARRANTY FOR USA

2. WARRANTY LIMITATIONS: CFMOTO POWERSPORTS, Inc. provides warranty coverage for one (1) year on all parts and labor for all of its new CFMOTO ATVs. However, the following coverage, exceptions, and limitations apply to all CFMOTO vehicles:

A. A 30-DAY WARRANTY coverage period applies to all new CFMOTO vehicles in relation to the vehicle's:

- Battery
- Spark Plugs
- Air Filters
- Oil and Fuel Filters

B. A 90-DAY WARRANTY coverage period applies to all new CFMOTO vehicles in relation to the vehicle's:

- Drive Belt
- Gear Shift, CVT, and Wet Clutch
- Throttle and Brake Cables
- Front/Rear Rims
- Front/Rear Tires
- Front/United Brake Pads or Shoes
- Front/United Brake Discs or Drums
- Wheel or Steering Stem Bearings and Seals
- Rubber Parts/Engine Mounts/Grips/Boots
- Brake or Clutch Levers
- Floor Boards or Pegs
- ATV Winch (if equipped)
- Light Bulbs/Fuses
- Body Plastics and Cosmetic Defects

CFMOTO LIMITED WARRANTY FOR USA

3. EXCLUSIONS FROM WARRANTY COVERAGE: Any Damage resulting from the following acts or circumstances is not covered by the CFMOTO POWERSPORTS, Inc., Limited Warranty:

- Fire
- Collision
- Theft
- Unavoidable natural disasters
- Improper storage or transportation
- Failure or negligence in the performance of periodic vehicle maintenance
- Improper or negligent use or operation
- Unauthorized repair or adjustment
- Unauthorized modifications or performance upgrades
- Use of vehicle as a rental vehicle
- Use of vehicle in competitive or racing events

4. VEHICLE CARE AND MAINTENANCE: The vehicle's owner must properly use, maintain, and care for the vehicle as outlined in the CFMOTO POWERSPORTS, Inc., Owner's Manual. Any warranty repairs must be performed exclusively by CFMOTO POWERSPORTS, Inc., authorized Dealers. Any warranty work performed by anyone other than an authorized CFMOTO Dealer will not be covered under the CFMOTO POWERSPORTS, Inc., Limited Warranty policy.

CFMOTO LIMITED WARRANTY FOR USA

5. TRANSFER OR CONTINUATION OF WARRANTY: This warranty is transferable only under the following conditions:

- Transfer information must be provided to an authorized CFMOTO POWERSPORT S, Inc. dealer, who will then forward the information to CFMOTO POWERSPORTS, Inc..
- The complete model and serial number as shown on the original warranty document must be Provided.
- The name and address of the existing and new owners must be provided.
- The original delivery date of the vehicle must be provided.
- The new owner must indicate in writing that he/she has received and read the vehicle's Owner's Manual and the CFMOTO POWERSPORTS, Inc. Warranty Policy.

6. WARRANTY REGISTRATION: The Dealer must complete a PDI form and warranty register the vehicle online and provide the completed registration form to CFMOTO POWERSPORTS, Inc., within seven (7) days of completing the sale of the vehicle. Please note that NO warranty claims will be processed unless the product warranty online registration form is completed and the form is received by CFMOTO POWERSPORTS, Inc., from the Dealer.

7. DEALER RESPONSIBILITIES: A CFMOTO authorized Dealer must perform warranty coverage repairs at no charge to the customer, even if they are not the dealer that sold the CFMOTO vehicle to the customer and must use CFMOTO OEM parts for all warranty repairs. All vehicles sold by the dealer must be inspected and tested by the dealer to ensure proper performance and operation prior to delivery to the customer. No vehicles may be delivered to a customer without first passing a dealer inspection and an operational test.

CFMOTO LIMITED WARRANTY FOR USA

8. CUSTOMER ASSISTANCE: Any questions regarding your CFMOTO vehicle or related products should be directed to an authorized CFMOTO dealer. However, if a dealer is not available to answer customer concerns or address a technical issue with a CFMOTO vehicle or product, CFMOTO POWERSPORTS, Inc., customer representatives can be contacted directly at (763) 398-2690 or by e-mail: info@cfmotousa.com. Please note that Customer Service cannot approve or deny warranty, and cannot provide technical repair data, diagnosis, instruction, or other information beyond what is provided in the Owner's Manual.

9. COMMERCIAL USE: The duration of the warranty for commercial use shall be limited to a period of six (6) months instead of one year for recreational use. All other conditions and limitations shall apply.

10. TIRES PROVIDED AS ORIGINAL EQUIPMENT: Other than provided herein, vehicle tires supplied as original equipment are warranted separately by the individual tire manufacturer or its representatives.

11. DISCLAIMER: NO EXPRESS WARRANTY IS PROVIDED BY CFMOTO POWERSPORTS, INC. WITH RESPECT TO CFMOTO VEHICLES EXCEPT AS SPECIFICALLY SET FORTH HEREIN. ANY IMPLIED WARRANTY, WARRANTY OF MERCHANTABILITY, WARRANTY OF FITNESS FOR A PARTICULAR PURPOSE, AND ALL IMPLIED WARRANTIES ARISING FROM A COURSE OF DEALING, USAGE OF TRADE, BY STATUTE OR OTHERWISE, ARE HEREBY STRICTLY LIMITED TO THE TERMS OF THIS WRITTEN LIMITED WARRANTY.

CFMOTO LIMITED WARRANTY FOR USA

12. INTEGRATION: This limited warranty supersedes any and all oral, express, or written warranties, statements, or undertakings that may previously have been made, and contains the entire agreement of the parties with respect to the warranty of CFMOTO vehicles. Any and all warranties not contained in this Agreement are specifically excluded. This warranty extends to each original (and subsequent) owner of any CFMOTO ATV, for the term of the original warranty period. This limited warranty shall be the sole and exclusive remedy available to the customer with respect to the covered CFMOTO vehicle. In the event of any alleged breach of any warranty or any legal action brought by the customer based on alleged negligence or other conduct by CFMOTO POWERSPORTS Inc., or its related parties, the customer's sole and exclusive remedy will be repair or replacement of defective components as stated above, unless otherwise provided by law. Some states do not allow limitations on how long an implied warranty lasts, so the above limitations may not apply if they are deemed inconsistent with the controlling state law.

**CFMOTO LIMITED WARRANTY FOR USA
CALIFORNIA EVAPORATIVE EMISSIONS CONTROL WARRANTY STATEMENT**

YOUR WARRANTY RIGHTS AND OBLIGATIONS

INTRODUCTION:

The California Air Resources Board (CARB) and CFMOTO Powersports, Inc. (CFMOTO) are pleased to explain the evaporative emissions control system warranty on your 2020 and later-model year off-highway recreation vehicles (OHRVs). In California, new off-highway recreational vehicles must be designed, built, and equipped to meet the State's stringent anti-smog standards. CFMOTO must warrant the evaporative emissions control system on your OHRV for the periods of time listed below, provided there has been no abuse, neglect, improper maintenance, or unapproved modification of your OHRV.

Your evaporative emissions control system may include parts such as: fuel injection systems, electronic control systems, fuel tanks, fuel lines, fuel caps, valves, carbon canisters, filters, vapor hoses, belts, clamps, connectors, and other evaporative emissions-related components. Where a warrantable condition exists, CFMOTO will repair your OHRV at no cost to you, including diagnosis, parts and labor.

MANUFACTURER'S WARRANTY COVERAGE:

The warranty period for this OHRV is 30 months, or 2500 miles, or 250 hours, whichever comes first, except for "high-priced" warranty parts, which are covered for 60 months, or 5000 miles, or 500 hours, whichever comes first. If any evaporative emissions-related part on your OHRV is defective, the part will be repaired or replaced by CFMOTO.

OWNER'S WARRANTY RESPONSIBILITIES:

As the OHRV owner, you are responsible for the performance of the required maintenance listed in your owner's manual. CFMOTO recommends that you retain all receipts covering maintenance on your OHRV, but CFMOTO cannot deny warranty solely for the lack of receipts or for your failure to ensure the performance of a scheduled maintenance.

CFMOTO LIMITED WARRANTY FOR USA

As an owner, you are responsible for presenting your OHRV to a CFMOTO dealer as soon as a problem exists. The warranty repairs should be completed in a reasonable amount of time, not to exceed 30 days.

As an OHRV owner, you should also be aware that CFMOTO may deny you warranty coverage if your OHRV or a part has failed due to abuse, neglect, improper maintenance or unapproved modifications.

WARRANTY PARTS:

The repair or replacement of any warranted part otherwise eligible for warranty coverage may be excluded from such coverage if CFMOTO demonstrates that the OHRV has been abused, neglected, or improperly maintained, and that such abuse, neglect, or improper maintenance was the direct cause of the need for repair or replacement of the part. That notwithstanding, any adjustment of a component that has a factory installed, and properly operating, adjustment-limiting device is still eligible for warranty coverage. The following emission warranty parts list are covered:

- Fuel Tank[§]
- Fuel Cap
- Fuel Lines
- Fuel Lines Fittings
- Clamps
- Pressure Relief Valves*
- Control Valves*
- Control Solenoids*
- Electronic Control*
- Electronic Control Module*[§]
- Vacuum Control Diaphragms*
- Control Cables*
- Control Linkages*
- Purge Valves
- Vapor Hoses
- Liquid/Vapor Separator
- Carbon Canister
- Canister Mounting Brackets

*Parts that relate to the installed vehicle Evaporative Control System. [§]High-Priced warranty parts.

CFMOTO LIMITED WARRANTY FOR USA
THE REMOVAL OR MODIFICATION OF EVAPORATIVE EMISSION-RELATED PARTS ON THIS OHRV IS ILLEGAL. VIOLATORS MAY BE SUBJECT TO CIVIL AND/OR CRIMINAL PENALTIES AS PROVIDED UNDER CALIFORNIA AND FEDERAL LAW.

If you have any questions regarding your warranty rights and responsibilities, you should contact CFMOTO at 763 398-2690. 555 Holly Lane N. Suite #30 Plymouth, MN 55447 or the California Air Resources Board at 9528 Telstar Avenue, El Monte, CA 91731.

U.S.A. EPA and CARB Emissions Control Limited Warranty

This emissions limited warranty is in addition to the CFMOTO Powersports, Inc. standard limited warranty for your vehicle. CFMOTO Powersports, Inc. warrants that at the time it is first purchased, this emissions- certified vehicle is designed, built and equipped so it conforms to applicable U.S. Environmental Protection Agency (EPA) and the California Air Resource Board (CARB) emission regulations. CFMOTO Powersports, Inc. also warrants that the vehicle is free from defects in materials and workmanship that would cause it to fail to meet these regulations.

The warranty period for this emissions-certified vehicle starts on the date the vehicle is first purchased and continues for a period of 500 hours of engine operation, 5000 kilometers (3, 100 miles) of vehicle travel, or 30 calendar months from the date of purchase, whichever comes first. This emissions limited warranty covers components whose failure increases the vehicle's regulated emissions, and it covers components of systems whose only purpose is to control emissions. Repairing or replacing other components not covered by this warranty is the responsibility of the vehicle owner. This emissions limited warranty does not cover components whose failure does not increase the vehicle's regulated emissions.

CFMOTO LIMITED WARRANTY FOR USA

For exhaust emissions, emission-related components include any engine parts related to the following systems:

- Air-induction system (excludes filters)
- Fuel system (excludes filters)
- Ignition system (excludes spark plugs)
- Exhaust gas recirculation systems

The following parts are also considered emission-related components for exhaust emissions:

- After treatment devices
- Crankcase ventilation valves
- Sensors
- Electronic control units

The following parts are considered emission-related components for evaporative emissions:

- Fuel Tank
- Fuel Cap
- Fuel Line
- Fuel Line Fittings
- Clamps*
- Pressure Relief Valves*
- Control Valves*
- Control Solenoids*
- Electronic Controls*
- Vacuum Control Diaphragms*
- Control Cables*
- Control Linkages*
- Purge Valves
- Vapor Hoses
- Liquid/Vapor Separator
- Carbon Canister
- Canister Mounting Brackets
- Carburetor Purge Port Connector

* As related to the evaporative emission control system.

The exclusive remedy for breach of this limited warranty shall be, at the exclusive option of CFMOTO Powersports, Inc., repair or replacement of any defective materials, components or products.

CFMOTO LIMITED WARRANTY FOR USA

THE REMEDIES SET FORTH IN THIS LIMITED WARRANTY ARE THE ONLY REMEDIES AVAILABLE TO ANY PERSON FOR BREACH OF THIS WARRANTY. CFMOTO POWERSPORTS, INC. SHALL HAVE NO LIABILITY TO ANY PERSON FOR INCIDENTAL, CONSEQUENTIAL OR SPECIAL DAMAGES OF ANY DESCRIPTION, WHETHER ARISING OUT OF EXPRESS OR IMPLIED WARRANTY OR ANY OTHER CONTRACT, NEGLIGENCE OR OTHER TORT OR OTHERWISE. THIS EXCLUSION OF CONSEQUENTIAL, INCIDENTAL, AND SPECIAL DAMAGES IS INDEPENDENT FROM AND SHALL SURVIVE ANY FINDING THAT THE EXCLUSIVE REMEDY FAILED OF ITS ESSENTIAL PURPOSE.

ALL IMPLIED WARRANTIES (INCLUDING BUT NOT LIMITED TO ANY IMPLIED WARRANTIES OF MERCHANTABILITY AND FITNESS FOR A PARTICULAR PURPOSE) ARE LIMITED IN DURATION TO THE WARRANTY PERIOD DESCRIBED HEREIN. CFMOTO POWERSPORTS, INC. DISCLAIMS ALL EXPRESS WARRANTIES NOT STATED IN THIS WARRANTY.

CFMOTO LIMITED WARRANTY FOR USA

Some states do not allow limitations on how long an implied warranty lasts, so the above limitation may not apply if it is inconsistent with the controlling state law. This limited warranty excludes failures not caused by a defect in material or workmanship. This limited warranty does not cover damage due to accidents, abuse or improper handling, maintenance or use. This limited warranty also does not cover any engine that has been structurally altered, or when the vehicle has been used in racing competition. This limited warranty also does not cover physical damage, corrosion, or defects caused by fire, explosions or other similar causes beyond the control of CFMOTO Powersports, Inc. Owners are responsible for performing the scheduled maintenance identified in the owner's manual. CFMOTO Powersports, Inc. may deny warranty claims for failures that have been caused by the owner's or operator's improper maintenance or use, by accidents for which CFMOTO Powersports, Inc. has no responsibility, or by acts of God. Any qualified repair shop or person may maintain, replace, or repair the emission control devices or systems on your vehicle. CFMOTO Powersports, Inc. recommends that you contact an authorized CFMOTO Powersports, Inc. dealer to perform any service that may be necessary for your vehicle. CFMOTO Powersports, Inc. also recommends that you use only genuine CFMOTO Powersports, Inc. parts. It is a potential violation of the Clean Air Act if a part supplied by an aftermarket parts manufacturer reduces the effectiveness of the vehicle's emission controls. Tampering with emission controls is prohibited by federal law. If you have any questions regarding your warranty rights and responsibilities, please contact CFMOTO Powersports, Inc. at 888-823-6686.

CFMOTO LIMITED WARRANTY FOR USA

Noise Control System and Tampering

Warranty time period: 1, 865 miles (3000 km)

Federal law prohibits the following acts or causing thereof:

(1) The removal or rendering inoperative by any person other than for purposes of maintenance, repair, or replacement, of any device or element of design incorporated into any new vehicle for the purpose of noise control prior to its sale or delivery to the ultimate purchaser or while it is in use or.

(2) The use of the vehicle after such device or element of design has been removed or rendered inoperative by any person.

AMONG THOSE ACTS PRESUMED TO CONSTITUTE TAMPERING ARE THE ACTS LISTED BELOW:
These acts include tampering with the following systems. i.e., modification, removal, etc.

Exhaust system

- Muffler
- Exhaust
- Silencer

Intake system

- Air cleaner case
- Air cleaner element
- Intake duct

CHANGE OF OWNERSHIP

If you sell the product, any valid remainder of the warranty can be transferred to the new Owner. Please record the details of the exchange below and inform an Authorized CFMOTO Dealer.

REGISTRATION OF CHANGE OF OWNERSHIP	2 nd OWNER	3 rd OWNER	4 th OWNER
OWNER'S NAME			
ADDRESS			
TOWN/CITY			
STATE-ZIP			
TELEPHONE			
E-MAIL			
DATE OF PURCHASE			
ODOMETER READING			
NEW OWNER SIGNATURE			

CFMOTO RIDE App / Telematics Box

CFMOTO RIDE is an intelligent, networked, mobile service platform that provides human-vehicle interconnection as its core. CFMOTO RIDE is committed to providing full-featured services for motorsport enthusiasts online.

The telematics module, or T-BOX, is an intelligent vehicle terminal that builds a communication bridge between owners and vehicles through the CFMOTO RIDE App. When T-BOX equipped, the owner can enjoy the smart features of CFMOTO RIDE.

The telematics module is optional in select markets. Check with your dealer to determine if your vehicle is equipped with telematics (T-BOX), or download the CFMOTO RIDE App, send your question via the [feedback] option, and CFMOTO will check for you.



CFMOTO RIDE App

Scan the QR code to download the CFMOTO RIDE APP from the Apple App Store for iPhone or Google Play for Android.



CFMOTO RIDE Facebook

Scan the QR code to follow CFMOTO RIDE on Facebook and be first to receive notices on App updates and news.



CFMOTO RIDE Website

Scan the QR code to explore the CFMOTO RIDE intelligent platform on the CFMOTO global website.

CFMOTO RIDE provides various smart features such as the vehicle owner's manual, riding details, navigation, Over-The-Air (OTA) updates, geofence, static reminders, etc. Available features will vary according to vehicle / model configuration and global market requirements.

Please download CFMOTO RIDE and enjoy the intelligent riding experience!

TABLE DES MATIÈRES

Avant-propos	214
Bienvenue	214
Système EVAP (système de recyclage des vapeurs de carburant)	215
Convertisseur catalytique	216
Mentions d'avertissement.....	217
Introduction	220
Numéro d'identification du véhicule (VIN) / Clé.....	223
Spécifications	224
Sécurité de l'utilisateur	231
Restrictions d'âge.....	231
Connaissez votre véhicule	231
Modifications de l'équipement	232
Formation à la sécurité.....	236
Équipement de sécurité pour la conduite.....	260
Autocollants de sécurité et leurs emplacements.....	264
Commandes et caractéristiques	272
Commutateur, côté gauche	272
Commutateur, côté droit.....	276
Frein à pied	281
Réservoir du carburant.....	283
Sélecteur de vitesse	285

Système TVC	287
Système de freinage moteur (ABS)	288
Comment éviter la défaillance de la courroie d'entraînement et des composants CVT..	289
Caractéristiques du véhicule	291
Fonctionnement du treuil.....	297
Indicateurs et fonctionnement du tableau de bord	311
Conduite du véhicule	322
Période de rodage du moteur	322
Période de rodage des freins	323
Viscosité recommandée de l'huile moteur.....	324
Inspection pré-randonnée	325
Démarrage du moteur	326
Fonctionnement du levier de vitesse.....	328
Transport et remorquage de chargement.....	332
Conduite sécuritaire	335
Entretien	355
Définition d'une utilisation abusive	355
Principaux points du programme de lubrification	356
Calendrier d'entretien durant la période de rodage.....	359
Liste d'inspection pré-randonnée	357
Calendrier d'entretien périodique	362

Nettoyage et entreprosaage	415
Transport du véhicule	420
Diagnostic des problèmes du véhicule	421
Le moteur ne démarre pas	421
Cognements ou cliquetis du moteur.....	421
Retour de flamme du moteur	423
Le moteur a un fonctionnement irrégulier, des ratés d'allumage ou cale	423
Le moteur s'arrête ou perd de la puissance	425
Voyant d'anomalie du système d'injection électronique EFI	426
Voyant d'anomalie de direction assistée électronique EPS	427
Code de panne.....	428
Garantie limitée CFMoto pour les États-Unis	431
DÉCLARATION DE GARANTIE DU CONTRÔLE DES ÉMISSIONS PAR ÉVAPORATION DE LA CALIFORNIE	437
Garantie limitée sur le contrôle des émissions des États-Unis EPA et CARB.....	440
Système de lutte contre le bruit et altération du système	444
CHANGEMENT DE PROPRIÉTAIRE	445
Application CFMOTO RIDE / Boitier Télématique	446

AVANT-PROPOS

Bienvenue

Merci pour votre achat d'un véhicule CFMOTO et vous souhaitons la bienvenue dans la grande famille des passionnés de CFMOTO. Assurez-vous de nous visiter en ligne sur www.cfmoto.com pour connaître les dernières nouvelles, les lancements de nouveaux produits, les futurs événements, et plus encore.

CFMOTO est une entreprise internationale qui se spécialise dans le développement, la fabrication et la commercialisation de véhicules tout-terrain, de véhicules utilitaires, de motocyclettes grosses cylindrées et de leurs principales pièces. Fondée en 1989, CFMOTO se consacre au développement d'une exploitation indépendante de sa marque et de l'innovation en recherche-développement. Les produits CFMOTO sont actuellement distribués dans le monde entier par plus de 2000 partenaires dans une centaine de pays et de régions. CFMOTO se hisse peu à peu au rang des leaders mondiaux dans le secteur des sports motorisés et vise à offrir globalement des produits de grande qualité aussi bien aux concessionnaires qu'aux enthousiastes de ces sports.

Pour une utilisation agréable et sans danger de votre véhicule, veuillez lire attentivement et respecter les instructions et recommandations contenues dans ce Manuel du propriétaire. Ce manuel contient également les instructions nécessaires à l'entretien courant. Des informations sur les réparations importantes sont décrites dans le Manuel d'entretien de CFMOTO. Votre concessionnaire CFMOTO connaît parfaitement votre véhicule et ne recherche que votre entière satisfaction. Assurez-vous de vous rendre chez votre concessionnaire pour tous vos besoins d'entretien et de réparation durant et après la période de garantie.

Compte tenu des améliorations constantes apportées à la conception et à la fabrication des composants de nos modèles, certaines différences mineures peuvent exister entre le véhicule que vous possédez et les informations présentées dans ce manuel. CFMOTO se réserve le droit de modifier les caractéristiques, les spécifications et les éléments du produit sans préavis ni obligation envers l'acheteur. Les descriptions et/ou procédures contenues dans ce manuel sont fournies à titre de référence uniquement. La version la plus récente de ce manuel peut être disponible sur le site Web destiné aux clients de CFMOTO et couvrant votre région.

Ce manuel s'applique aux modèles suivants : CF600AU-3SA, CF600AZ-3SA, CT600AZ-3SA, CF600AU-3LA, CF600AZ-3LA, CT600AZ-3LA.

AVANT-PROPOS

AVERTISSEMENT

Les gaz d'échappement du moteur de ce produit contiennent des produits chimiques qui sont reconnus par l'état de la Californie comme susceptibles de causer le cancer, des malformations à la naissance ou de nuire au système reproducteur.

Système EVAP (système de recyclage des vapeurs de carburant) (Si le VTT en est équipé)

Lorsque la réglementation relative aux émissions dans l'environnement l'exige, ce véhicule est équipé d'un système de recyclage des vapeurs de carburant (EVAP) afin d'éviter que les vapeurs provenant du réservoir et du circuit de carburant s'échappent dans l'atmosphère.

Durant l'entretien régulier, inspectez visuellement tous les raccords de tuyau pour déceler d'éventuelles fuites ou obstructions. Assurez-vous que les tuyaux ne sont ni obstrués ni pliés, car cela risquerait d'endommager la pompe à essence ou de déformer le réservoir de carburant. Aucun autre entretien n'est nécessaire. Contactez votre concessionnaire si une réparation est nécessaire. Ne modifiez pas le système EVAP. Modifier n'importe quelle partie de ce système est une violation des règlements relatifs aux émissions dans l'environnement.

AVANT-PROPOS

Convertisseur catalytique

ATTENTION :

Veillez porter attention aux points suivants pour protéger votre convertisseur catalytique :

- Utilisez seulement de l'essence sans plomb. Une essence qui contient même un peu de plomb pourrait endommager les métaux réactifs dans le convertisseur catalytique et le désactiver.
- N'ajoutez jamais d'huile antirouille ou d'huile moteur dans le silencieux, car cela risquerait d'endommager le convertisseur catalytique.

REMARQUE :

Certains dispositifs décrits dans ce manuel peuvent ne pas s'appliquer aux modèles vendus en Amérique du Nord. Toutes les descriptions et instructions fournies le sont du point de vue du conducteur correctement assis au volant

AVANT-PROPOS

Mentions d'avertissement

Une mention d'avertissement vise à attirer l'attention sur un ou plusieurs messages relatifs à la sécurité, sur un ou plusieurs messages relatifs à des dommages matériels, et désigne le degré ou niveau de gravité du risque. Les mentions d'avertissement standard dans ce manuel sont : **AVERTISSEMENT**, **ATTENTION**, **NOTE** et **AVIS**.

AVERTISSEMENT

Cette icône et alerte de sécurité indique un danger potentiel qui peut entraîner des blessures graves ou mortelle.

ATTENTION

Cette icône et alerte de sécurité indique un danger potentiel qui peut entraîner des blessures légères ou de gravité modérée et/ou causer des dommages au véhicule.

ATTENTION

Cette alerte de sécurité sans icône indique une situation qui peut causer des dégâts matériels au véhicule.

REMARQUE ou AVIS

Une note ou un avis attire votre attention sur des informations ou des instructions importantes.

AVANT-PROPOS

⚠ AVERTISSEMENT RELATIF AUX VTT DE TYPE I

(Véhicule pour une personne)

**Une mauvaise utilisation du véhicule peut entraîner
des BLESSURES GRAVES ou la MORT**



**PORTEZ
TOUJOURS UN
CASQUE ET UN
ÉQUIPEMENT
DE
PROTECTION
APPROUVÉS**



**N'UTILISEZ
JAMAIS CE
VÉHICULE
SUR LA
VOIE
PUBLIQUE**



**NE
TRANSPORTEZ
JAMAIS DE
PASSAGERS**



**N'UTILISEZ
JAMAIS CE
VÉHICULE
APRÈS
AVOIR BU DE
L'ALCOOL OU
PRIS DES
MÉDICAMENTS**

AVANT-PROPOS

AVERTISSEMENT RELATIF AUX VTT DE TYPE II

(Véhicule pour deux personnes)

**Une mauvaise utilisation du véhicule peut entraîner
des BLESSURES GRAVES ou la MORT**



**LE CONDUCTEUR
ET LE PASSAGER
DOIVENT
TOUJOURS
PORTER
UN CASQUE ET
UN ÉQUIPEMENT
DE PROTECTION
APPROUVÉS**



**N'UTILISEZ
JAMAIS CE
VÉHICULE
SUR LA
VOIE
PUBLIQUE**



**NE
TRANSPORTEZ
JAMAIS PLUS
D'UN SEUL
PASSAGERS**



**N'UTILISEZ
JAMAIS CE
VÉHICULE
APRÈS
AVOIR BU DE
L'ALCOOL OU
PRIS DES
MÉDICAMENTS**

AVANT-PROPOS

NE JAMAIS :

- Conduire le véhicule sans avoir reçu au préalable une formation ou des instructions appropriées.
- Conduire le véhicule sur des voies publiques, car il y a risque de collision avec un autre véhicule.
- Conduire le véhicule à des vitesses trop élevées pour votre compétence ou les conditions du terrain.
- Transporter plusieurs passagers : les VTT de type II sont conçus pour accueillir un seul passager.
- Boire de l'ALCOOL ou prendre des MÉDICAMENTS avant ou pendant la conduite de ce véhicule.

TOUJOURS :

- Éviter les surfaces asphaltées car elles risquent de perturber la maniabilité et le contrôle de l'engin.
- Utiliser des techniques de conduite appropriées afin d'éviter le renversement du véhicule sur des pentes, des terrains accidentés, et durant les virages.
- Porter des lunettes de protection de même qu'un casque et des vêtements de protection.

AVANT-PROPOS

LISEZ ATTENTIVEMENT LE MANUEL DU PROPRIÉTAIRE CONFORMEZ-VOUS AUX INSTRUCTIONS ET AUX AVERTISSEMENTS

AVERTISSEMENT

Lisez, comprenez et conformez-vous à toutes les instructions et mesures de sécurité décrites dans ce manuel et indiquées sur tous les autocollants apposés sur le véhicule. Tout manquement aux mesures de sécurité peut entraîner des blessures graves ou mortelles.

AVERTISSEMENT

Les gaz d'échappement du moteur de ce produit contiennent du CO, un gaz mortel pouvant provoquer des maux de tête, des vertiges, une perte de conscience, voire la mort. Évitez toujours de démarrer le véhicule dans des zones mal ventilées.

INTRODUCTION

Merci d'avoir choisi un véhicule CFMOTO et bienvenue au sein de notre famille mondiale des passionnés de CFMOTO. Pour une utilisation optimale et sans danger de votre véhicule, veuillez lire attentivement et respecter les instructions et recommandations contenues dans ce Manuel du propriétaire. Des informations sur les réparations importantes sont décrites dans le Manuel d'entretien de CFMOTO. Ces réparations ne doivent être effectuées que par un technicien d'entretien accrédité auprès du concessionnaire CFMOTO. Assurez-vous de confier à votre concessionnaire CFMOTO tous les entretiens et réparations pendant et après la période de garantie.

Si vous avez des questions ou des préoccupations à propos de votre véhicule

Toute question ou préoccupation liée à votre véhicule doit être adressée en premier lieu à votre concessionnaire CFMOTO. Votre concessionnaire CFMOTO connaît parfaitement votre véhicule et ne recherche que votre entière satisfaction. Au cas où votre concessionnaire local n'est pas en mesure de résoudre un problème ou une anomalie du produit, vous pouvez vous adresser à un conseiller du service à la clientèle de CFMOTO selon votre lieu de résidence :

Pour les États-Unis : Veuillez contacter CFMOTO POWERSPORTS, INC. par téléphone au 763 398-2690, par courriel info@cfmotousa.com, ou en ligne sur <https://cfmotousa.com/customer-care/customer-care-contact>. Veuillez noter que le service à la clientèle n'a pas l'autorité d'approuver ou de refuser la garantie, et ne peut fournir ni données techniques, ni diagnostic ou instructions sur la réparation.

Pour le CANADA : Veuillez contacter CANADA MOTOR IMPORT INC. par téléphone au 1 418 227-2077, ou en ligne sur <https://www.cfmoto.ca/fr/entretien/>.

Pour toute préoccupation liée à la sécurité de votre véhicule canadien, vous pouvez en aviser la Division Normes de service – *Division des enquêtes sur les défauts et rappels de Transport Canada*, par la poste, par téléphone ou en ligne en utilisant les coordonnées ci-dessous :

Adresse postale : Transport Canada – ASFAD, 330, rue Sparks, Ottawa (ON) K1A 0N5

Téléphone : 819 994-3328 (région d'Ottawa-Gatineau ou international) ou sans frais : 1 800 333-0510 (au Canada)

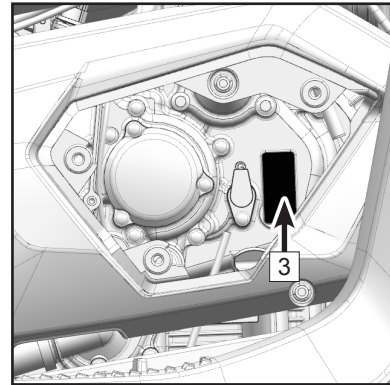
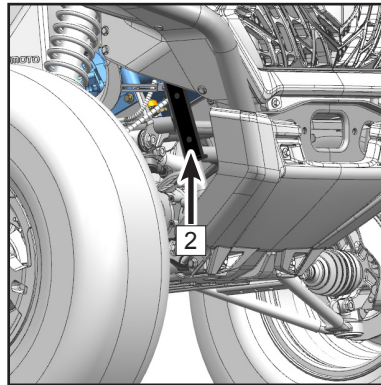
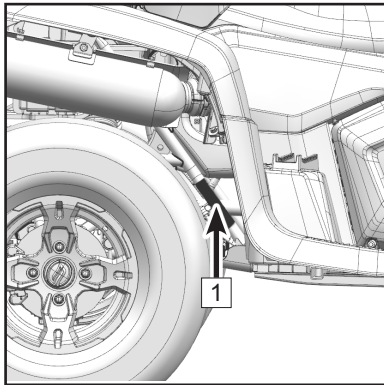
En ligne : <http://www.tc.gc.ca/rappels>

INTRODUCTION

Numéros d'identification du véhicule / Clés

Notez les numéros d'identification de votre véhicule dans les espaces prévus. Retirez la clé de contact de réserve et rangez-la en lieu sûr. Votre clé peut être dupliquée uniquement en utilisant une ébauche de clé de CFMOTO et en la façonnant à partir d'une de vos clés existantes.

Si les deux clefs sont perdues, le mécanisme de verrouillage au complet doit être remplacé.



1 Numéro d'identification du véhicule : _____

2 Numéro de modèle du véhicule : _____

3 Numéro de série du moteur : _____

SPÉCIFICATION

Description	CFORCE 600	CFORCE 600 TOURING
Longueur totale	80,1 po (2035 mm)	88,0 po (2235 mm)
Largeur hors tout	46,5 po (1180 mm)	46,5 po (1180 mm)
Hauteur totale	48 po (1220 mm)	54,7 po (1390 mm)
Empattement	50,4 po (1280 mm)	58,3 po (1480 mm)
Garde au sol	10,6 po (270 mm)	
Rayon de braquage minimal	142,7 po (3625 mm)	145,7 po (3700 mm)
Poids de base	798 lbs (362 kg)	908 lbs (412 kg)
Capacité de charge du porte-bagages avant	66,11 lbs (30 kg)	
Capacité de charge du porte-bagages arrière	132,2 lbs (60 kg)	
Charge maximale du véhicule autorisée	374,8 lbs (170kg)	551,2 lbs (250 kg)
Capacités de remorquage recommandées : Poids de l'attelage de remorquage Poids de la remorque et de la cargaison	55,1 lbs (25 kg) 1500 lbs (680 kg)	
Modèle et type de moteur	Monocylindre, refroidissement liquide 4 temps, SACT, soupapes	
Type	191S-B	

SPECIFICATION

Description	Spécifications
Alésage et course	91 x 89,2 mm
Cylindrée	580 cc
Taux de compression	10,68 : 1
Type de démarrage	Démarrage électrique
Type de lubrification	Alimentation par projections / pression
Huile moteur : Type	SAE 5W-40 SAE 10W-40 / SAE 15W-40 (viscosité alternative pour une utilisation par temps chaud)
Volume d'huile moteur :	3.17 qt. (3 L)
Changement de capacité / filtre à huile	2.96 qt. (2.8 L)
Liquide de refroidissement moteur : Type	CFMOTO utilise la technologie des acides organiques (OAT) dans tous les moteurs refroidis par liquide. Ne pas mélanger avec du liquide de refroidissement inorganique (IAT).
Volume de liquide de refroidissement	2,3 pintes. (2,18 L)
Rapport de mélange	50% liquide de refroidissement / 50% eau distillée

SPÉCIFICATION

Description	Spécifications
Huile carter d'engrenages arrière :	
Type	SAE 80W/90GL-5
Volume	6,7 oz (200 mL)
Volume de changement d'huile périodique	6,7 oz (200 mL)
Huile carter d'engrenages avant :	
Type	SAE80W/90GL-5
Volume	7,7 oz (230 mL)
Volume de changement d'huile périodique	7,7 oz (230 mL)
Filtre à air	Élément filtrant avec préfiltre en mousse
Type de carburant	
Capacité du réservoir d'essence	Indice d'octane 89 minimum
Réserve d'essence approximative (lorsque la jauge est au minimum et clignote)	4,75 gal (18 L) 1,05 gal (4 L)

SPÉCIFICATION

Description		Spécifications	
Type de bougie d'allumage		NGK(R) CR8EK	
Écartement des électrodes		0,7 mm ~ 0,5 mm	
Transmission	Transmission	CVT+levier des vitesses	
	Levier des vitesse / ordre	Manuel L/H/N/R/P	
	Rapport de la TVC	0,67 ~ 3,02	
	Ratio boitier de vitesse	Première vitesse (L)	2,533
		Deuxième vitesse (H)	1,35
Marche arrière (R)		2,071	
Cadre de châssis		Tube d'acier	
Pneus:			
Type		À chambre incorporée	
Grandeur : Type I Avant		25×8,0-12	
Arrière		25×10,0-12	
Type II Avant		26×9,0-14	
Arrière		26×11,0-14	
Modèle de boulon de roue		4x110 mm	

SPÉCIFICATION

Description	Spécifications
Pression des pneus: Avant Arrière	6,5 PSI (45 kPa) 6,5 PSI (45 kPa)
Système de freins :	Essieux avant : disque hydraulique
Frein avant Pédale de frein / Fonctionnement	Essieux arrière : disque hydraulique
Frein à main / Fonctionnement	Frein avant/arrière combiné Actionné avec le pied droit
Frein de stationnement / Fonctionnement	Actionné par la main droite
Type de liquide frein	DOT4
Suspension: Suspension avant Suspension arrière	Indépendante, à double bras triangulaire Indépendante, à double bras triangulaire

SPÉCIFICATION

Description	Spécifications
Amortisseur: Amortisseur avant Amortisseur arrière	Amortissement hydraulique / amortisseur à huile Amortissement hydraulique / amortisseur à huile
Débattement de roue : Débattement de la roue avant Débattement de la roue arrière	6,3 po (160 mm) 8,3 po (210 mm)
Système électrique: Allumage Mise en charge Batterie	Allumage ECU A/C 600 Watt @ 5000 T/MN 12 Vdc / 30 Ah

SPÉCIFICATION

Description	Spécifications
Système d'éclairage : Feux de croisement avant Feux de route avant Feux de position avant Feux arrière	DEL 14.4W×2 DEL 28.5W×4 DEL 3.6W×2 DEL 2,9W×2 / DEL 2W×2
Tableau de bord	DEL et LCD - sans entretien

SÉCURITÉ DE L'UTILISATEUR

Sécurité de l'opérateur

AVERTISSEMENT

Le non-respect des avertissements contenus dans ce manuel peut entraîner des blessures graves ou la mort. Un VTT n'est pas un jouet et peut être dangereux à conduire. Ce véhicule se comporte différemment des autres véhicules, tels que les motos et les voitures. Une collision ou un capotage peut se produire rapidement, même lors de manœuvres de routine comme tourner ou franchir des obstacles, si vous ne prenez pas les précautions appropriées.

Lisez ce manuel du propriétaire. Comprenez tous les avertissements de sécurité, les précautions et les procédures d'utilisation avant d'utiliser ce VTT.

Un paquet contenant des informations importantes sur la sécurité du VTT doit être présent avec le manuel du propriétaire. Si vous ne parvenez pas à localiser ce paquet ou s'il a été retiré, veuillez contacter votre concessionnaire.

Restrictions d'âge

Ce véhicule est UN VÉHICULE ADULTE UNIQUEMENT. L'exploitation est interdite à toute personne de moins de 16 ans. Aucun passager de moins de 12 ans n'est autorisé sur les véhicules CFMOTO conçus pour transporter un passager.

Connaissez votre véhicule

En tant qu'opérateur du véhicule, vous êtes responsable de votre sécurité personnelle, de la sécurité des autres et de la protection de notre environnement. Lisez et comprenez votre manuel du propriétaire, qui contient des informations précieuses sur tous les aspects de votre véhicule, y compris les procédures de conduite sécuritaires.

SÉCURITÉ DE L'UTILISATEUR

Modifications de l'équipement

Chez CFMOTO, nous prenons à cœur la sécurité de nos utilisateurs et du public en général. Par conséquent, nous recommandons vivement de ne pas installer sur votre véhicule des équipements ou accessoires susceptibles d'augmenter la vitesse maximale du véhicule ou sa puissance, ou de modifier le véhicule dans ce but. Toute modification apportée à l'équipement d'origine de votre véhicule pourrait créer un grave danger au niveau de la sécurité et augmenter le risque de graves blessures. La garantie de votre véhicule CF MOTO devient nulle si un quelconque équipement accessoire non approuvé est ajouté au véhicule, ou si une quelconque modification est faite sur le véhicule aux fins d'en augmenter la puissance ou la vitesse.

REMARQUE :

L'ajout de certains accessoires, y compris mais sans s'y limiter, les tondeuses à gazon, les lames de chasse-neige, les pneus surdimensionnés, les herses/râteaux larges, les accessoires de levage et les remorques, peut modifier la maniabilité et les performances du véhicule. N'utilisez que les accessoires approuvés par CFMOTO et familiarisez-vous avec leurs fonctionnalités et leurs effets sur le véhicule.

SÉCURITÉ DE L'UTILISATEUR

Évitez les intoxications au monoxyde de carbone

Les gaz d'échappement du moteur de ce produit contiennent des produits chimiques connus pour provoquer le cancer, des malformations congénitales ou d'autres problèmes de reproduction. Tous les gaz d'échappement des moteurs contiennent du monoxyde de carbone, un gaz mortel. L'inhalation de monoxyde de carbone peut provoquer des maux de tête, des étourdissements, de la somnolence, des nausées, de la confusion et éventuellement la mort.

Le monoxyde de carbone est un gaz incolore, inodore et insipide qui peut être présent même si vous ne voyez ou ne sentez aucun échappement du moteur. Des niveaux mortels de monoxyde de carbone peuvent s'accumuler rapidement et vous pouvez rapidement être vaincu et incapable de vous sauver. De plus, des niveaux mortels de monoxyde de carbone peuvent persister pendant des heures ou des jours dans des espaces clos ou mal ventilés.

Pour éviter des blessures graves, voire la mort, causées par le monoxyde de carbone :

- Ne faites jamais fonctionner le véhicule dans des endroits mal ventilés ou partiellement clos.
- Ne conduisez jamais le véhicule à l'extérieur où les gaz d'échappement du moteur peuvent être aspirés dans un bâtiment par des ouvertures telles que des fenêtres et des portes.

SÉCURITÉ DE L'UTILISATEUR

Évitez les incendies d'essence et autres dangers

L'essence est extrêmement inflammable et hautement explosive. Les vapeurs de carburant peuvent se propager et être enflammées par une étincelle ou une flamme située à plusieurs mètres du moteur. Pour réduire le risque d'incendie ou d'explosion, suivez ces instructions :

- Utilisez uniquement un bidon d'essence approuvé pour stocker le carburant.
- Ne remplissez jamais le bidon d'essence dans le coffre du véhicule ou sur le véhicule. Une décharge électrique statique peut enflammer le carburant.
- Respectez strictement les procédures de ravitaillement appropriées.
- Ne démarrez et ne faites jamais fonctionner le moteur si le bouchon du réservoir n'est pas correctement installé. L'essence est toxique et peut provoquer des blessures, voire la mort.
- Ne siphonnez jamais l'essence avec la bouche.
- Si vous avalez de l'essence, si vous en avez dans les yeux ou si vous inhalez des vapeurs d'essence, consultez immédiatement un médecin.
- Si de l'essence se renverse sur vous, lavez-vous à l'eau et au savon et changez de vêtements.

Indice d'octane minimum du carburant et avertissements de sécurité

Le carburant recommandé pour votre véhicule est un carburant à indice d'octane minimum de 89, super ou intermédiaire (un mélange maximum de 10 % d'éthanol est autorisé). Un carburant non oxygéné (sans éthanol) est recommandé pour de meilleures performances dans toutes les conditions.

SÉCURITÉ DE L'UTILISATEUR

AVERTISSEMENT

- L'essence est hautement inflammable et explosive dans certaines conditions.
- Laissez le moteur et le système d'échappement refroidir avant de remplir le réservoir.
- Soyez toujours extrêmement prudent lorsque vous manipulez de l'essence.
- Faites toujours le plein avec le moteur arrêté et à l'extérieur ou dans un endroit bien aéré.
- Ne transportez jamais de bidon en plastique contenant de l'essence dans l'espace de chargement lorsque vous roulez. L'électricité statique entre la zone de chargement et le conteneur pourrait provoquer une étincelle.
- Ne fumez pas et ne laissez pas de flammes nues ou d'étincelles dans ou à proximité de la zone où le ravitaillement est effectué ou où l'essence est stockée.
- Ne remplissez pas trop le réservoir. Ne remplissez pas jusqu'au goulot du réservoir.
- Si de l'essence se répand sur votre peau ou vos vêtements, lavez-les immédiatement à l'eau et au savon et changez de vêtements. Ne démarrez jamais le moteur et ne le laissez pas tourner dans un endroit clos. Les gaz d'échappement du moteur sont toxiques et peuvent entraîner une perte de conscience ou la mort en peu de temps.
- Les gaz d'échappement du moteur de ce produit contiennent des produits chimiques connus pour provoquer le cancer, des malformations congénitales ou d'autres problèmes de reproduction. Utilisez ce véhicule uniquement à l'extérieur ou dans des zones bien ventilées.

SÉCURITÉ DE L'UTILISATEUR

Évitez les brûlures causées par les pièces chaudes

Le système d'échappement et le moteur deviennent chauds pendant le fonctionnement. Évitez tout contact pendant et peu de temps après l'opération pour éviter les brûlures.

Inspection après un accident

Après tout renversement ou accident, demandez à un concessionnaire agréé d'inspecter l'ensemble du véhicule pour déceler d'éventuels dommages. Les dommages causés au véhicule lors d'un accident peuvent être plus graves que vous ne le pensez.x

Formation en sécurité

Lorsque vous avez acheté votre nouveau VTT, votre concessionnaire vous a proposé un cours pratique de formation en sécurité couvrant tous les aspects de la sûreté du véhicule. Vous avez été également obtenu une documentation écrite expliquant les modes opératoires sécuritaires. Il est recommandé de passer en revue régulièrement ces informations. Si vous avez acheté un VTT d'occasion chez un revendeur autre qu'un concessionnaire, vous pouvez demander une formation pratique sur la sécurité auprès de n'importe quel concessionnaire CFMOTO autorisé.

Familiarisez-vous avec les lois et les règlements concernant l'utilisation de ce véhicule dans votre région. CFMOTO vous conseille fortement de vous conformer de façon stricte au calendrier d'entretien recommandé décrit dans votre Manuel du propriétaire. Ce calendrier d'entretien préventif est conçu pour assurer que tous les composants essentiels de votre véhicule soient minutieusement vérifiés à des intervalles précis.

SÉCURITÉ DE L'UTILISATEUR

Avertissements relatifs à une utilisation dangereuse du VTT

Des blessures graves, voire mortelles, peuvent se produire si vous ne suivez pas les instructions et procédures suivantes décrites plus en détails dans votre Manuel du propriétaire :

AVERTISSEMENT

- Lisez soigneusement ce manuel, comprenez toutes les étiquettes et autocollants, et suivez les modes opératoires décrits.
- N'utilisez jamais un VTT sans instructions de conduite appropriées. Suivez un cours de formation. Les débutants doivent recevoir leur formation auprès d'un instructeur agréé. Contactez un concessionnaire autorisé pour obtenir des informations sur les cours de formation offerts dans votre région.
- Ne permettez jamais à des personnes âgées de moins de 16 ans d'utiliser le véhicule.
- Ne permettez jamais à un invité d'utiliser votre VTT à moins qu'il ait lu ce manuel, compris toutes les étiquettes de sécurité et suivi un cours agréé de formation sur la sécurité.
- N'utilisez jamais un VTT sans porter un casque homologué qui s'adapte bien à votre tête. Portez toujours une protection oculaire (lunettes de protection ou masque facial), des gants, des bottes, un chandail à manches longues ou un blouson, et un pantalon long.
- Ne consommez jamais d'alcool ou de médicaments avant ou pendant l'utilisation d'un VTT.
- Ne conduisez jamais à des vitesses excessives. Roulez à des vitesses adaptées au terrain, à la visibilité, aux conditions ambiantes et à votre propre expérience.
- N'essayez jamais d'effectuer des cabrés, des sauts et autres cascades.
- Vérifiez toujours votre VTT avant chaque utilisation afin de vous assurer qu'il est en bon état de fonctionnement.

SÉCURITÉ DE L'UTILISATEUR

- Conformez-vous toujours aux calendriers d'inspection et aux programmes d'entretien décrits dans votre Manuel du propriétaire.
- Suivez toujours les techniques de virage appropriées telles que décrites dans ce manuel. Pratiquez les virages à basse vitesse avant de les essayer à des vitesses plus rapides. Ne virez pas à des vitesses excessives.
- Faites toujours vérifier votre VTT par un concessionnaire autorisé s'il a subi un accident.
- Ne conduisez jamais sur des pentes trop raides pour le VTT ou pour vos compétences. Entraînez-vous d'abord sur des pentes peu escarpées avant d'essayer des pentes plus raides.
- Suivez toujours les techniques appropriées pour monter des pentes :
 - Vérifiez toujours le terrain avec soin avant de gravir une pente.
 - Ne montez jamais une pente dont la surface est très glissante ou meuble
 - Décalez votre poids vers l'avant.
 - N'accélérez jamais soudainement et ne changez pas brusquement de vitesse lorsque vous gravissez une pente.
- Ne franchissez jamais le sommet d'une pente à grande vitesse.
- Suivez toujours les techniques appropriées pour descendre une pente et pour freiner sur des pentes : Vérifiez toujours le terrain avec attention avant de descendre une pente. Décalez votre poids vers l'arrière. Ne descendez jamais une pente à grande vitesse. Évitez de descendre une pente à un angle pouvant faire pencher dangereusement le véhicule sur un côté. Dans la mesure du possible, descendez la pente tout droit.

SÉCURITÉ DE L'UTILISATEUR

- Suivez toujours les techniques appropriées pour conduire en travers d'une pente : Évitez les pentes dont la surface est très glissante ou meuble. Décalez votre poids du côté ascendant du VTT. N'essayez jamais de faire des demi-tours avec le VTT sur une pente tant que vous n'avez pas maîtrisé (sur un sol plat) la technique des demi-tours décrite dans ce manuel. Évitez si possible de conduire en travers d'une pente escarpée.
- Utilisez toujours les techniques appropriées si vous calez ou roulez à reculons lorsque vous gravissez une pente : Pour éviter de caler, maintenez une vitesse constante lorsque vous gravissez une pente. Si vous calez ou roulez à reculons, suivez la technique spéciale de freinage décrite dans ce manuel. Descendez toujours du VTT du côté ascendant de la pente, ou de l'un ou l'autre côté si le VTT est orienté directement vers le haut de la pente. Faites faire demi-tour au VTT puis remontez en suivant la technique décrite dans ce manuel.
- Vérifiez toujours la présence possible d'obstacles avant de conduire sur un terrain inconnu. Ne tentez jamais de franchir des obstacles de grande taille, tels que des rochers ou des arbres abattus. Lorsque vous devez franchir des obstacles, suivez toujours les techniques appropriées décrites dans ce manuel.
- Faites toujours attention à ne pas glisser ou déraper. Sur des surfaces glissantes, telles que la glace, roulez lentement et soyez très prudent afin de réduire la possibilité de déraper ou de perdre le contrôle du véhicule.
- Évitez de conduire dans de l'eau profonde ou de l'eau à débit rapide. Si cela est inévitable, roulez lentement, équilibrez avec précaution le poids du véhicule, évitez les manœuvres brusques et maintenez une conduite lente et régulière. Ne faites pas de virages ou d'arrêts brusques, et évitez de modifier le régime du moteur de façon soudaine.

SÉCURITÉ DE L'UTILISATEUR

- Des freins humides peuvent avoir une efficacité de freinage réduite. Essayez vos freins une fois sorti de l'eau. Au besoin, en conduisant lentement, freinez légèrement plusieurs fois pour permettre à la friction d'assécher les plaquettes.
- Avant de passer en marche arrière, vérifiez toujours la présence éventuelle d'obstacles ou de personnes derrière le VTT avant l'opération à l'envers. Lorsque la voie est libre, reculez doucement et évitez les angles de braquage trop serrés.
- Ne modifiez jamais le VTT en installant ou en utilisant des pièces ou accessoires non conformes.
- Ne dépassez jamais la capacité de charge nominale de votre VTT. La charge doit être uniformément répartie et solidement assujettie. Ralentissez et roulez toujours à basse vitesse lorsque vous transportez des charges ou tractez une remorque. Prévoyez une plus grande distance pour le freinage.
- Retirez toujours la clé de contact lorsque le véhicule n'est pas utilisé de façon à empêcher l'usage non autorisé ou un démarrage accidentel.
- Il est interdit de transporter des enfants ou des animaux familiers sur les porte-bagages.
- Ne touchez jamais les pièces mobiles telles que les roues, les arbres d'entraînement, etc.

**POUR DE PLUS AMPLES INFORMATIONS SUR LA SÉCURITÉ DE VOTRE VTT,
VEUILLEZ CONTACTER VOTRE CONCESSIONNAIRE.**

SÉCURITÉ DE L'UTILISATEUR

⚠ AVERTISSEMENT

DANGER POTENTIEL :

Non-respect des instructions de conduite appropriées de ce VTT.

CONSÉQUENCES POSSIBLES :

Le risque d'accident augmente de façon considérable si l'utilisateur ne maîtrise pas correctement son véhicule dans tous les types de situations et sur différents types de terrain.

COMMENT ÉVITER LE DANGER :

Les utilisateurs débutants et inexpérimentés doivent suivre le cours de formation sur la sécurité, offert par le concessionnaire. Les utilisateurs doivent mettre régulièrement en pratique les compétences acquises dans le cours et les techniques de conduite décrites dans le Manuel du propriétaire.

⚠ AVERTISSEMENT

DANGER POTENTIEL :

Non-respect des recommandations relatives à l'âge minimum pour conduire ce VTT.

CONSÉQUENCES POSSIBLES :

De blessures graves et (ou) mortelles pourraient survenir si une jeune personne qui n'a pas atteint l'âge minimum recommandé conduit ce VTT. Même si une jeune personne a atteint l'âge minimum recommandé pour la conduite, elle pourrait ne pas posséder les aptitudes, les compétences ou le jugement nécessaires pour conduire sans risque, et pourrait avoir un accident ou subir des blessures.

COMMENT ÉVITER LE DANGER :

L'utilisation du véhicule est interdite pour toute personne de moins de 16 ans.

SÉCURITÉ DE L'UTILISATEUR

⚠ AVERTISSEMENT

DANGER POTENTIEL:

Transporter un passager sur un VTT qui n'est pas conçu pour transporter un passager, ou transporter plus de passagers que la capacité nominale de passagers.

CONSÉQUENCES POSSIBLES :

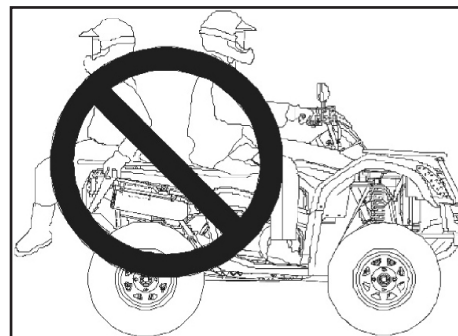
Un passager voyageant sur un VTT non conçu pour transporter un passager pourrait être éjecté du véhicule de manière inattendue ou entrer en contact avec des composants mobiles, ce qui pourrait entraîner des blessures graves, voire la mort.

Un passager qui n'est pas assis derrière le conducteur d'un VTT pourrait être éjecté du véhicule de manière inattendue ou entrer en contact avec des composants mobiles, ce qui pourrait entraîner des blessures graves, voire la mort.

Transporter plus de passagers que la capacité nominale en passagers réduira considérablement la capacité du conducteur à équilibrer et à contrôler le VTT.

COMMENT ÉVITER LE DANGER :

Ne laissez jamais un passager monter sur un VTT qui n'est pas conçu pour transporter un passager, ni transporter plus de passagers que la capacité nominale de passagers.



SÉCURITÉ DE L'UTILISATEUR

⚠ Avertissement

DANGER POTENTIEL :

Conduire sur des surfaces pavées telles que trottoirs, aires de stationnement ou rues et voies publiques.

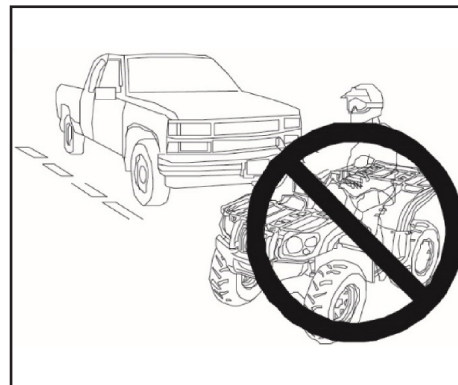
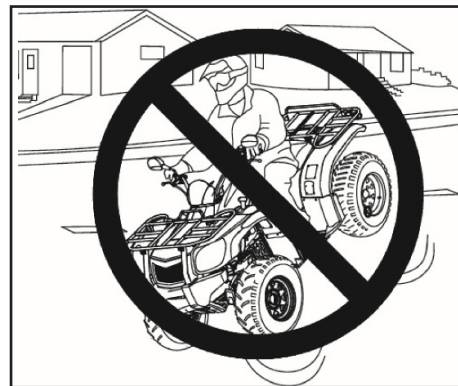
CONSÉQUENCES POSSIBLES :

Les pneus de ce VTT sont conçus uniquement pour un usage hors route. Conduire sur des surfaces pavées peut nuire considérablement à la maniabilité du VTT, ce qui peut occasionner une perte de contrôle et/ou un accident.

COMMENT ÉVITER LE DANGER :

Ne conduisez jamais sur des surfaces pavées. Si la conduite sur de telles surfaces est inévitable, roulez lentement et évitez tout virage ou freinage brusque.

Ne roulez jamais sur des voies publiques ou des rues si la loi l'interdit. Vérifiez les lois locales pour le vérifier.



SÉCURITÉ DE L'UTILISATEUR

⚠ AVERTISSEMENT

DANGER POTENTIEL :

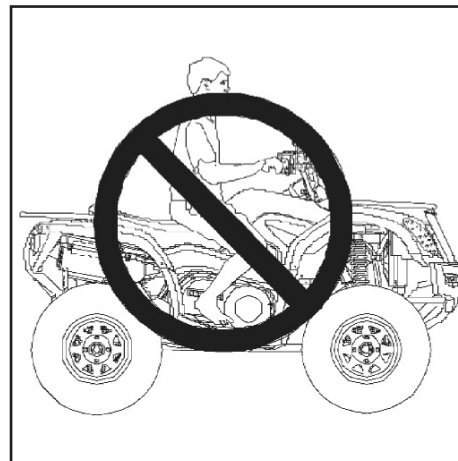
Conduire ce VTT sans casque homologué, ni protection oculaire ou vêtements de protection adéquats.

CONSÉQUENCES POSSIBLES :

Conduire un VTT sans casque homologué augmente le risque de blessures graves à la tête ou même la mort en cas d'accident. Conduire sans protection oculaire peut occasionner un accident et augmenter le risque de graves blessures aux yeux en cas d'accident. Conduire sans vêtements de protection adéquats peut accroître le risque de blessures graves.

COMMENT ÉVITER LE DANGER :

Portez toujours un casque homologué de la bonne taille et bien ajusté à la tête. Portez toujours une protection oculaire (lunettes protectrices ou écran facial), des gants, un chandail ou un blouson à manches longues et un pantalon long.



SÉCURITÉ DE L'UTILISATEUR

⚠ AVERTISSEMENT

DANGER POTENTIEL :

Conduire ce VTT après utilisation de drogues ou d'alcool.

CONSÉQUENCES POSSIBLES :

La consommation d'alcool et/ou de drogues peut sérieusement affecter le jugement du conducteur. Elle peut également diminuer le temps de réaction et amoindrir le sens de l'équilibre et la perception du conducteur. Toute consommation d'alcool et/ou de drogues avant ou pendant la conduite de ce VTT peut occasionner un accident et provoquer des blessures graves, voire mortelles.

COMMENT ÉVITER LE DANGER :

Ne consommez jamais d'alcool ou de drogues avant ou pendant la conduite du VTT.



SÉCURITÉ DE L'UTILISATEUR

⚠ AVERTISSEMENT

DANGER POTENTIEL :

Conduire à des vitesses excessives.

CONSÉQUENCES POSSIBLES :

Une vitesse excessive augmente le risque de perte de contrôle du VTT par le conducteur, pouvant ainsi occasionner un accident.

COMMENT ÉVITER LE DANGER :

Conduisez toujours le VTT à une vitesse adaptée au terrain, à la visibilité, aux conditions ambiantes et à votre expérience.

⚠ AVERTISSEMENT

DANGER POTENTIEL :

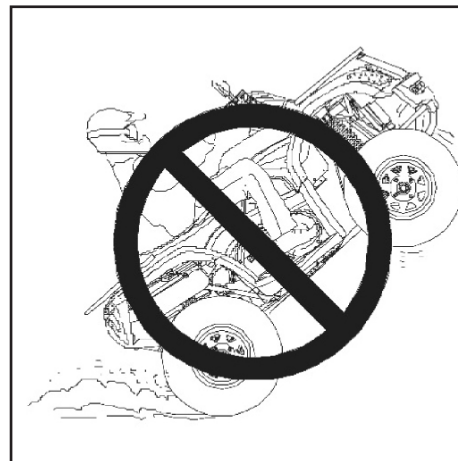
Tenter des cabrés, des sauts et d'autres cascades.

CONSÉQUENCES POSSIBLES :

Tenter des cascades augmente le risque d'accident, y compris un retournement.

COMMENT ÉVITER LE DANGER :

Ne tentez jamais les cabrés, les sauts ou d'autres cascades. Évitez la conduite spectaculaire.



SÉCURITÉ DE L'UTILISATEUR

AVERTISSEMENT

DANGER POTENTIEL :

Non-respect des vérifications d'usage avant l'utilisation et/ou l'entretien non conforme de ce VTT.

CONSÉQUENCES POSSIBLES :

Un entretien non conforme ou mal exécuté augmente le risque d'accident ou de dommages aux équipements.

COMMENT ÉVITER LE DANGER :

Vérifiez toujours la sécurité de votre VTT avant chaque utilisation pour vous assurer que sa conduite ne pose pas de danger. Respectez toujours les procédures et calendriers d'inspection et d'entretien décrits dans ce Manuel du propriétaire.

AVERTISSEMENT

DANGER POTENTIEL :

Retirer les mains du guidon ou les pieds du repose-pieds du VTT durant la conduite.

CONSÉQUENCES POSSIBLES :

Retirer même une seule main du guidon ou un seul pied du repose-pieds peut réduire la capacité à contrôler le véhicule ou pourrait entraîner une perte d'équilibre et une éjection hors du VTT.

Si le pied du conducteur n'est pas fermement planté sur le repose-pieds, il pourrait entrer en contact avec les roues arrière et mener à un accident ou infliger des blessures.

COMMENT ÉVITER LE DANGER :

Gardez toujours les deux mains sur le guidon et les deux pieds sur le repose-pieds du VTT durant la conduite.

SÉCURITÉ DE L'UTILISATEUR

⚠ AVERTISSEMENT

DANGER POTENTIEL :

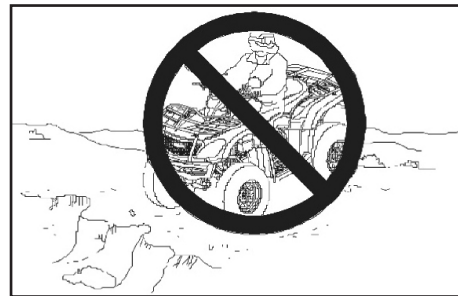
Ne pas faire preuve de prudence supplémentaire lors de l'utilisation du VTT sur un terrain inconnu.

CONSÉQUENCES POSSIBLES :

Un terrain inconnu peut contenir des rochers cachés, des bosses ou des trous qui pourraient entraîner une perte de contrôle ou un renversement.

COMMENT ÉVITER LE DANGER :

Déplacez-vous lentement et redoublez de prudence lorsque vous travaillez sur un terrain inconnu. Soyez toujours attentif aux conditions changeantes du terrain.



SÉCURITÉ DE L'UTILISATEUR

⚠ AVERTISSEMENT

DANGER POTENTIEL :

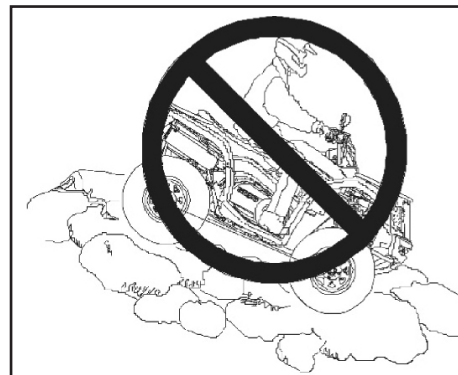
Ne pas faire preuve de prudence supplémentaire lors de l'utilisation sur un terrain excessivement accidenté, glissant ou meuble.

CONSÉQUENCES POSSIBLES :

La conduite sur un terrain excessivement accidenté, glissant ou meuble peut entraîner une perte de traction ou une perte de contrôle, ce qui peut entraîner un accident ou un renversement.

COMMENT ÉVITER LE DANGER :

Ne conduisez pas sur un terrain excessivement accidenté, glissant ou meuble tant que vous n'avez pas appris et pratiqué les compétences nécessaires pour contrôler le VTT sur un tel terrain. Redoublez de prudence sur les terrains accidentés, glissants ou meubles.



SÉCURITÉ DE L'UTILISATEUR

AVERTISSEMENT

DANGER POTENTIEL :

Virage incorrect.

CONSÉQUENCES POSSIBLES :

Des virages incorrects risquent d'entraîner une perte de contrôle et de provoquer un accident ou un retournement.

COMMENT ÉVITER LE DANGER :

Conformez-vous toujours aux procédures décrites dans le Manuel du propriétaire. Pratiquez d'abord des virages à vitesse réduite avant d'essayer des virages plus rapides. Ne tentez jamais d'effectuer un virage serré à une vitesse rapide.

SÉCURITÉ DE L'UTILISATEUR

⚠ AVERTISSEMENT

DANGER POTENTIEL :

Gravir des pentes trop escarpées ou gravir des pentes de manière non conforme.

CONSÉQUENCES POSSIBLES :

Gravir des pentes de manière non conforme risque d'entraîner une perte de contrôle ou un retournement du véhicule.

COMMENT ÉVITER LE DANGER :

Ne conduisez jamais sur des pentes trop raides pour le VTT ou pour vos compétences. Entraînez-vous d'abord sur des pentes peu escarpées avant d'essayer des pentes plus raides. Vérifiez toujours le terrain avec soin avant de gravir une pente. Ne montez jamais une pente dont la surface est très glissante ou meuble. Penchez votre corps vers l'avant. N'accélérez jamais brusquement lorsque vous gravissez une pente, le VTT risquerait de se renverser. Ne franchissez jamais le sommet d'une pente à grande vitesse. Un obstacle, une pente abrupte, un autre véhicule ou des personnes peuvent se trouver de l'autre côté du sommet.



SÉCURITÉ DE L'UTILISATEUR

⚠ AVERTISSEMENT

DANGER POTENTIEL :

Descendre des pentes trop escarpées.

CONSÉQUENCES POSSIBLES :

Descendre des pentes de manière non conforme risque d'entraîner une perte de contrôle ou un retournement du véhicule.

COMMENT ÉVITER LE DANGER :

Ne conduisez jamais sur des pentes trop abruptes pour le VTT ou pour vos compétences. Entraînez-vous d'abord sur des pentes peu escarpées avant d'essayer des pentes plus raides. Vérifiez toujours le terrain avec soin avant de conduire sur une pente. Ne descendez jamais une pente dont la surface est très glissante ou meuble.

REMARQUE :

Une technique spéciale de conduite et de freinage est nécessaire dans la descente de pentes escarpées. Vérifiez toujours le terrain avec attention avant de descendre une pente. Ne descendez jamais une pente à grande vitesse. Évitez de descendre une pente à un angle faisant fortement pencher le véhicule. Dans la mesure du possible, descendez la pente tout droit.



SÉCURITÉ DE L'UTILISATEUR

⚠ AVERTISSEMENT

DANGER POTENTIEL :

Conduire et faire des virages en travers de pente en utilisant des techniques inappropriées.

CONSÉQUENCES POSSIBLES :

Conduire et faire des virages en travers de pente en utilisant des techniques inappropriées risque d'entraîner une perte de contrôle ou un retournement du véhicule.

COMMENT ÉVITER LE DANGER :

N'essayez jamais de faire un demi-tour avec le VTT autour sur une pente avant d'avoir appris à maîtriser la technique des virages sur un terrain plat, comme décrit dans le Manuel du propriétaire.

Redoublez de prudence lorsque vous exécutez des virages en travers de pente. Évitez de conduire en travers d'une pente abrupte.

LORS DE LA CONDUITE EN TRAVERS D'UNE PENTE :

Suivez toujours les procédures appropriées décrites dans ce Manuel du propriétaire. Évitez les pentes dont la surface est très glissante ou meuble. Décalez le poids de votre corps vers le côté amont du VTT.



SÉCURITÉ DE L'UTILISATEUR

⚠ AVERTISSEMENT

DANGER POTENTIEL :

Caler, reculer le véhicule ou quitter le véhicule lors de la montée d'une pente.

CONSÉQUENCES POSSIBLES :

Le véhicule risque de se retourner.

COMMENT ÉVITER LE DANGER :

Maintenez une vitesse constante lorsque vous montez des pentes.

SI LE VÉHICULE CESSE D'AVANCER :

Coupez les gaz. Gardez le poids de votre corps du côté amont du VTT. Appliquez le frein avant. Lorsque le véhicule est complètement immobilisé, appuyez sur la pédale de frein puis mettez le levier des vitesses en position de stationnement (P).

SI LE VTT COMMENCE À DESCENDRE LA PENTE :

Maintenez le poids de votre corps du côté amont du VTT. N'accélérez jamais. N'appuyez jamais sur la pédale de frein lorsque le VTT roule à reculons. Appliquez le frein avant. Une fois complètement immobilisé, appuyez sur la pédale de frein puis mettez le levier des vitesses en position de stationnement (P). Quittez le VTT du côté amont, ou de l'un ou l'autre côté si le VTT est orienté directement vers le haut de la pente.

Faites faire un demi-tour au VTT puis remontez en suivant la procédure décrite dans le Manuel du propriétaire.



SÉCURITÉ DE L'UTILISATEUR

AVERTISSEMENT

DANGER POTENTIEL :

Franchir des obstacles de façon non conforme.

CONSÉQUENCES POSSIBLES :

Le franchissement incorrect d'obstacles risque d'occasionner une perte de contrôle ou un retournement du véhicule.

COMMENT ÉVITER LE DANGER :

Vérifiez toujours la présence possible d'obstacles avant de conduire sur un terrain inconnu. Dans la mesure du possible, ne tentez pas de franchir des obstacles de grande taille, tels que des roches ou des troncs d'arbres. Si les obstacles sont inévitables, redoublez de prudence et suivez toujours les procédures appropriées décrites dans le Manuel du propriétaire.

AVERTISSEMENT

DANGER POTENTIEL :

Franchir des obstacles de façon non conforme.

CONSÉQUENCES POSSIBLES :

Le franchissement incorrect d'obstacles risque d'occasionner une perte de contrôle ou un retournement du véhicule.

COMMENT ÉVITER LE DANGER :

Vérifiez toujours la présence possible d'obstacles avant de conduire sur un terrain inconnu. Dans la mesure du possible, ne tentez pas de franchir des obstacles de grande taille, tels que des roches ou des troncs d'arbres. Si les obstacles sont inévitables, redoublez de prudence et suivez toujours les procédures appropriées décrites dans le Manuel du propriétaire.

SÉCURITÉ DE L'UTILISATEUR

AVERTISSEMENT

DANGER POTENTIEL :

Surcharger le véhicule ou transporter/remorquer des charges de façon non conforme.

CONSÉQUENCES POSSIBLES :

La surcharge du véhicule ou le transport/remorquage incorrect de charges risque de modifier la maniabilité et d'entraîner une perte de contrôle ou un accident.

COMMENT ÉVITER LE DANGER :

Ne dépassez jamais la capacité de charge nominale de ce véhicule.

La charge doit être uniformément répartie et solidement assujettie. Ralentissez et roulez toujours à basse vitesse lorsque vous transportez des charges ou tractez une remorque. Prévoyez une plus grande distance de freinage. Suivez toujours les instructions du Manuel du propriétaire pour le transport ou le remorquage de charges.

SÉCURITÉ DE L'UTILISATEUR

AVERTISSEMENT

DANGER POTENTIEL :

Conduire le véhicule dans de l'eau profonde ou de l'eau à débit rapide.

CONSÉQUENCES POSSIBLES :

Les pneus pourraient flotter et entraîner une perte de traction et/ou de contrôle du véhicule, ce qui risque d'occasionner un accident ou un retournement.

COMMENT ÉVITER LE DANGER :

Évitez de conduire dans de l'eau profonde ou de l'eau à débit rapide. S'il vous est impossible d'éviter l'entrée dans un cours d'eau dont la profondeur dépasse le maximum recommandé, roulez lentement, équilibrez avec précaution le poids du véhicule, évitez les manœuvres brusques et maintenez une conduite lente et régulière. Ne faites pas de virages ou d'arrêts brusques, et évitez de modifier le régime du moteur de façon soudaine. Des freins humides peuvent avoir une efficacité de freinage réduite. Essayez vos freins une fois sorti de l'eau. Au besoin, en conduisant lentement, freinez légèrement plusieurs fois pour laisser la friction sécher les plaquettes.

SÉCURITÉ DE L'UTILISATEUR

AVERTISSEMENT

DANGER POTENTIEL :

Conduire le véhicule avec des modifications non conformes ou non approuvées.

CONSÉQUENCES POSSIBLES :

L'installation non conforme d'accessoires ou la modification inappropriée du véhicule peut causer des changements dans la maniabilité et aboutir à un accident.

COMMENT ÉVITER LE DANGER :

Ne modifiez jamais le véhicule en installant ou en utilisant des pièces ou accessoires de façon non conforme. Tous les pièces et accessoires ajoutés au véhicule doivent être des pièces d'origine ou des composants équivalents conçus spécifiquement pour ce véhicule, et ils doivent être installés et utilisés conformément à des instructions approuvées. Pour de plus amples informations, consultez votre concessionnaire.

AVERTISSEMENT

DANGER POTENTIEL :

Conduire sur des plans d'eau gelée.

CONSÉQUENCES POSSIBLES :

Il y a un risque de blessures graves ou mortelles si la glace cède sous le poids du véhicule.

COMMENT ÉVITER LE DANGER :

Ne conduisez jamais le véhicule sur un plan d'eau gelée.

SÉCURITÉ DE L'UTILISATEUR

AVERTISSEMENT

Le fait de laisser la clé dans le contacteur d'allumage peut entraîner une utilisation non autorisée du véhicule qui pourrait occasionner des blessures graves, voire mortelles. Retirez toujours la clé de contact lorsque le véhicule n'est pas utilisé.

AVERTISSEMENT

Après un renversement ou un accident, faites examiner l'ensemble du véhicule par un concessionnaire agréé pour détecter d'éventuels dommages, y compris (mais non limité) aux freins, à l'accélérateur et au système de direction.

AVERTISSEMENT

L'utilisation sécuritaire de ce véhicule à conduite active demande un bon discernement ainsi que de bonnes aptitudes physiques. Les personnes atteintes de troubles cognitifs ou d'incapacités physiques qui conduisent ce véhicule présentent un risque accru de retournement ou de perte de contrôle pouvant occasionner des blessures graves, voire mortelles.

AVERTISSEMENT

Les composants du pot d'échappement sont brûlants pendant et après l'utilisation du véhicule. Ces composants peuvent provoquer de graves brûlures et un incendie. Évitez de toucher aux pièces brûlantes du système d'échappement. Ne conservez jamais de matières inflammables près du pot d'échappement. Soyez vigilant lorsque vous roulez sur des terrains à herbes hautes, surtout si l'herbe est sèche.

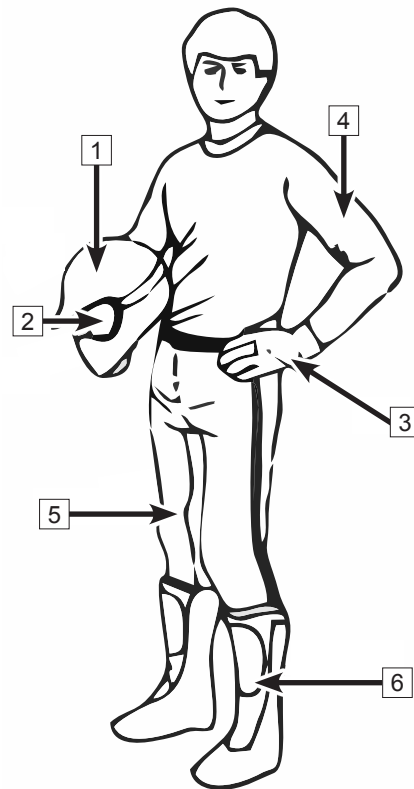
SÉCURITÉ DE L'UTILISATEUR

Équipement de sécurité pour la conduite

Portez toujours des vêtements adaptés au type de conduite. La conduite de VTT nécessite des vêtements de protection spéciaux pour plus de confort et pour réduire les risques de blessures :

- 1 Un casque homologué
- 2 Protection oculaire
- 3 Gants
- 4 Chemises ou vestes à manches longues
- 5 Pantalons longs
- 6 Cuissardes

Selon la météo réelle, vous aurez peut-être besoin de vêtements supplémentaires, comme des lunettes de protection anti-buée, des sous-vêtements thermiques et un masque pour le froid. L'opérateur ne doit jamais porter de vêtements amples qui pourraient s'emmêler dans le véhicule ou dans les branches d'arbres et d'arbustes.



SÉCURITÉ DE L'UTILISATEUR

Casque et protection oculaire

Un casque approuvé peut éviter un traumatisme crânien grave en cas d'accident. Veuillez noter que même le meilleur casque ne constitue aucune garantie contre les blessures. Le casque que vous choisissez doit répondre aux normes de votre pays ou région. Un casque fermé avec écran facial sera plus efficace pour prévenir les impacts d'insectes, de pierres volantes, de poussière et de débris épars, etc.

Un casque ouvert ne peut pas offrir la même protection pour votre visage et votre mâchoire. Veuillez porter des masques et des lunettes amovibles lorsque vous portez un casque ouvert.

Ne comptez pas sur des lunettes ou des lunettes de soleil pour la protection des yeux. Ils ne suffisent pas pour la protection contre les chocs. Des débris peuvent voler ou briser la lentille, provoquant des blessures aux yeux.

Utilisez des masques ou des lunettes teintés uniquement pendant la journée, ne les utilisez pas la nuit ou dans des conditions de faible éclairage. Ils peuvent altérer votre capacité à distinguer les couleurs. Ne les utilisez pas si votre discrimination des couleurs est affectée.

Gants

Des gants à doigts complets pourraient protéger vos mains du vent, du soleil, de la chaleur, du froid et des éclaboussures. Des gants bien ajustés sont utiles pour diriger et soulager la fatigue des mains. Si les gants sont trop lourds, il sera difficile de conduire le véhicule.

Une paire de gants tout-terrain solides offre une protection à vos mains en cas d'accident ou de retournement. Les gants de motoneige offrent une meilleure protection lors des opérations dans des zones froides.

SÉCURITÉ DE L'UTILISATEUR

Vestes, pantalons et combinaisons complètes

Portez une veste ou une chemise à manches longues et un pantalon long, ou une combinaison complète. Un équipement de protection de qualité offrira du confort et peut vous aider à éviter d'être distrait par des éléments environnementaux défavorables. En cas d'accident, un équipement de protection de bonne qualité fabriqué dans un matériau robuste peut prévenir ou réduire les blessures.

En roulant par temps frais, protégez-vous contre l'hypothermie. L'hypothermie, une condition de température corporelle basse, peut entraîner une perte de concentration, un ralentissement des réactions et une perte de mouvements musculaires fluides et précis. Par temps frais, un équipement de protection approprié, comme une veste coupe-vent et des couches de vêtements isolés, est essentiel. Même en roulant à des températures modérées, vous pouvez avoir très froid à cause du vent. Les équipements de protection adaptés à la conduite par temps froid peuvent être trop chauds à l'arrêt. Habillez-vous en couches afin que les vêtements puissent être retirés à votre guise. Le fait de recouvrir l'équipement de protection d'une couche extérieure coupe-vent peut empêcher l'air froid d'atteindre la peau.

Bottes

Portez toujours des bottines fermées. Des cuissardes robustes avec des semelles antidérapantes offrent plus de protection et vous permettent de bien poser votre pied sur les repose-pieds. Évitez les lacets longs qui pourraient s'emmêler dans les composants du véhicule. Pour les conditions de conduite hivernales, les bottes à semelles en caoutchouc avec dessus en nylon ou en cuir et doublures en feutre amovibles sont les mieux adaptées. Évitez les bottes de pluie en caoutchouc. Les bottes de pluie en caoutchouc peuvent se coincer derrière la pédale de frein, nuisant ainsi à son bon fonctionnement.

SÉCURITÉ DE L'UTILISATEUR

Autres équipements

Équipement de pluie

Lorsque vous roulez par temps pluvieux, une combinaison de pluie ou une combinaison imperméable est recommandée. Lors de longs trajets, c'est une bonne idée d'emporter des vêtements de pluie. Garder les vêtements au sec les rend beaucoup plus confortables et plus alertes.

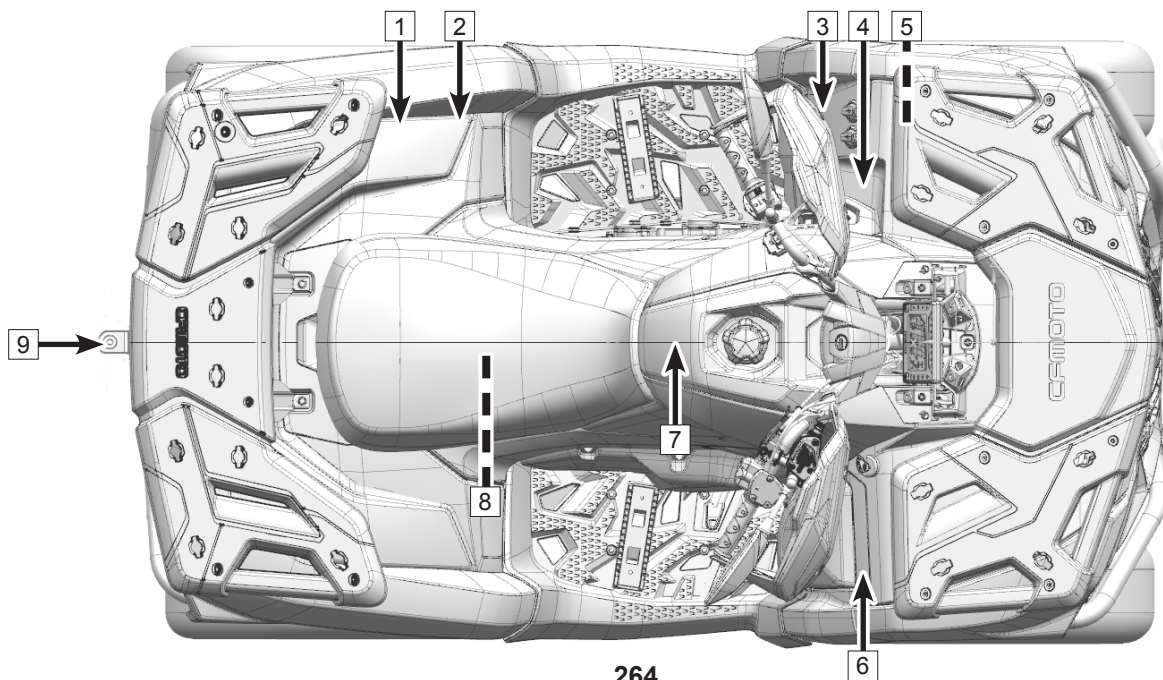
Protection auditive

Une exposition prolongée au vent et au bruit du moteur lors de la conduite peut entraîner une perte auditive permanente. Des dispositifs de protection auditive correctement portés, tels que des bouchons d'oreilles, peuvent aider à prévenir la perte auditive. Vérifiez les lois locales avant d'utiliser des appareils de protection auditive.

ÉTIQUETTES DE SÉCURITÉ, EMBLEMES ET AVERTISSEMENTS

Autocollants de sécurité et emplacements

Des autocollants d'avertissement ont été placés sur le VTT pour votre protection. Lisez et suivez attentivement les instructions sur chaque autocollant. Si un autocollant devient illisible ou se détache, contactez votre revendeur pour en acheter un de remplacement.



ÉTIQUETTES DE SÉCURITÉ, EMBLEMES ET AVERTISSEMENTS

1

TYPE I

⚠ AVERTISSEMENT

Une mauvaise pression des pneus ou surcharge peut entraîner une perte de contrôle.
Une perte de contrôle peut entraîner des blessures graves, voire mortelles.

- Pression des pneus à froid :
Avant : 6,5 psi (45 kPa)
Arrière : 6,5 psi (45 kPa)
- Capacité maximale de poids :
375 lb (170 kg)

TYPE II

⚠ AVERTISSEMENT

Une mauvaise pression des pneus ou surcharge peut entraîner une perte de contrôle.
Une perte de contrôle peut entraîner des blessures graves, voire mortelles.

- Pression des pneus à froid :
Avant : 6,5 psi (45 kPa)
Arrière : 6,5 psi (45 kPa)
- Capacité maximale de poids :
551 lb (250 kg)

ÉTIQUETTES DE SÉCURITÉ, EMPLACEMENTS ET AVERTISSEMENTS

2

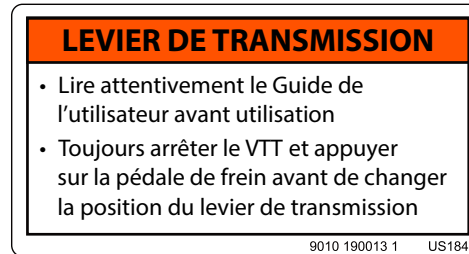
TYPE I



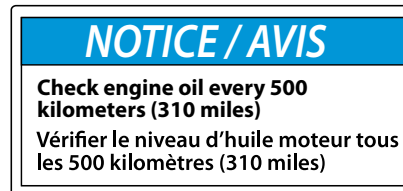
TYPE II



4



3



ÉTIQUETTES DE SÉCURITÉ, EMPLACEMENTS ET AVERTISSEMENTS

TYPE I

3

⚠ AVERTISSEMENT

L'utilisation inadéquate d'un VTT peut entraîner des blessures graves, voire mortelles.



TOUJOURS PORTER UN CASQUE HOMOLOGUÉ ET ÉQUIPEMENT DE SÉCURITÉ



NE JAMAIS CIRCULER SUR LA VOIE PUBLIQUE



NE JAMAIS TRANSPORTER DE PASSAGER



NE JAMAIS CONDUIRE SOUS L'EMPRISE D'ALCOOL OU DE DROGUES

NE JAMAIS CONDUIRE :

- Sans formation et instruction
- À des vitesses excédant vos capacités ou les conditions
- Sur la voie publique — une collision avec un autre véhicule pourrait survenir
- Avec un passager — les passagers affectent l'équilibre et la maniabilité du véhicule et augmentent le risque de perte de contrôle

TOUJOURS :

- Utiliser des techniques de conduite adéquate pour éviter le renversement dans les pentes, sur terrain accidenté et dans les virages
- Éviter les surfaces pavées — celles-ci peuvent sérieusement affecter la maniabilité et le contrôle du véhicule
- Réduire la vitesse et faire preuve de prudence en tout temps lors du transport d'un passager — faire descendre le passager lorsque les conditions l'exigent.
- Assurez-vous que le passager lit et comprend cette étiquette et l'étiquette de sécurité des passagers.

LOCALISER ET LIRE ATTENTIVEMENT LE GUIDE DE L'UTILISATEUR SUIVETOUTES LES INSTRUCTIONS ET RESPECTEZ LES AVERTISSEMENTS

TYPE II

⚠ AVERTISSEMENT

L'utilisation inadéquate d'un VTT peut entraîner des blessures graves, voire mortelles.



TOUJOURS PORTER UN CASQUE HOMOLOGUÉ ET ÉQUIPEMENT DE SÉCURITÉ



NE JAMAIS CIRCULER SUR LA VOIE PUBLIQUE



NE JAMAIS TRANSPORTER PLUS D'UN PASSAGER



NE JAMAIS CONDUIRE SOUS L'EMPRISE D'ALCOOL OU DE DROGUES

NE JAMAIS CONDUIRE :

- Sans formation et instruction
- À des vitesses excédant vos capacités ou les conditions
- Sur la voie publique — une collision avec un autre véhicule pourrait survenir
- Avec un passager — les passagers affectent l'équilibre et la maniabilité du véhicule et augmentent le risque de perte de contrôle

TOUJOURS :

- Utiliser des techniques de conduite adéquate pour éviter le renversement dans les pentes, sur terrain accidenté et dans les virages
- Éviter les surfaces pavées — celles-ci peuvent sérieusement affecter la maniabilité et le contrôle du véhicule
- Réduire la vitesse et faire preuve de prudence en tout temps lors du transport d'un passager — faire descendre le passager lorsque les conditions l'exigent.
- Assurez-vous que le passager lit et comprend cette étiquette et l'étiquette de sécurité des passagers.

LOCALISER ET LIRE ATTENTIVEMENT LE GUIDE DE L'UTILISATEUR SUIVETOUTES LES INSTRUCTIONS ET RESPECTEZ LES AVERTISSEMENTS

ÉTIQUETTES DE SÉCURITÉ, EMPLACEMENTS ET AVERTISSEMENTS

TYPE I

3



TYPE II



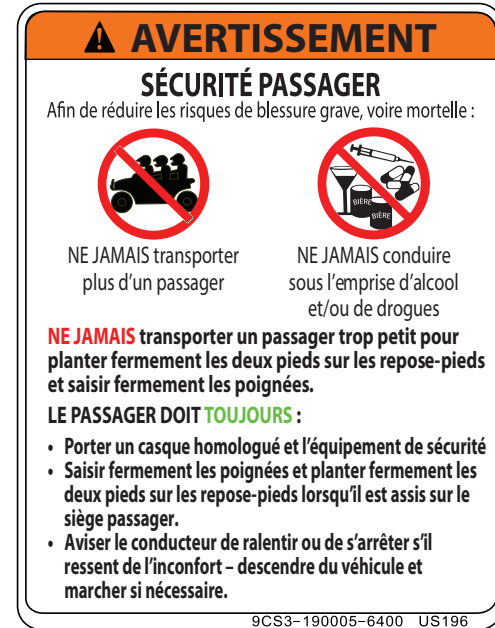
ÉTIQUETTES DE SÉCURITÉ, EMBLEMES ET AVERTISSEMENTS

TYPE I

3



TYPE II



ÉTIQUETTES DE SÉCURITÉ, EMPLACEMENTS ET AVERTISSEMENTS

5

TYPE I

⚠ AVERTISSEMENT

Ne JAMAIS transporter de passager sur ce support ou sur ce VTT

Charge maximale : 30 kg (66,1 lb)

TYPE II

⚠ AVERTISSEMENT

Ne JAMAIS transporter de passager sur ce support

Charge maximale : 30 kg (66,1 lb)

6

⚠ AVERTISSEMENT

Placer le véhicule en 4WD-LOCK («DIFF.LOCK») nécessite plus d'effort.

Circulez à vitesse réduite et considérez plus de temps et de distance pour vos manœuvres pour éviter toute perte de contrôle.

7

CERTIFICAT DE CONFORMITÉ

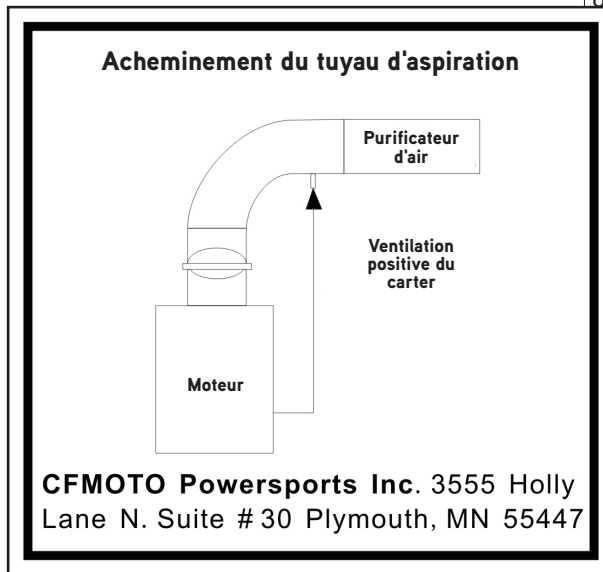
CFMOTO Powersports Inc.
certifie que ce VTT se conforme à la
American National Standard
ANSI/SVIA 1-2017 pour les véhicules
tout terrain à 4 roues, et est soumis à
un plan d'action approuvé pour les
VTT soumis par **CFMOTO
Powersports, inc.**, déposé auprès de
la US Product Safety Commission.

CFMOTO Powersports, inc.

905B-190408-1 US189

ÉTIQUETTES DE SÉCURITÉ, EMBLEMES ET AVERTISSEMENTS

8



COMMANDES ET CARACTÉRISTIQUES

Commandes côté gauche

1 Commutateur de neutralisation (Override)

Le régime du moteur est normalement limité lorsque le véhicule est en mode 4WD-LOCK.

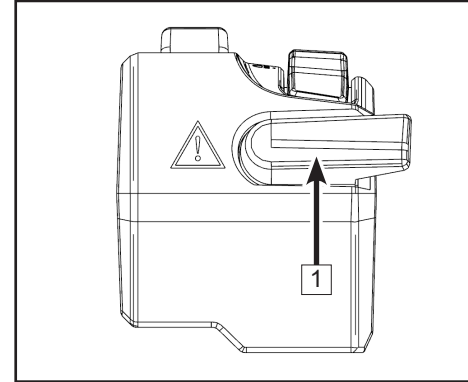
Si les conditions exigent plus de puissance du moteur en mode 4WD-LOCK :

- Relâchez l'accélérateur, puis appuyez et maintenez enfoncé le bouton de neutralisation pour annuler la fonction de limitation de vitesse. Lorsque ce bouton est enfoncé, le voyant de priorité s'allume.
- Le relâchement du bouton rétablit la fonction de limitation de vitesse.

•

REMARQUE :

Le commutateur de neutralisation (Override) n'est pas disponible lorsque le véhicule fonctionne en mode marche arrière, 2WD ou 4WD.




AVERTISSEMENT


Appuyer sur le commutateur de neutralisation alors que le papillon des gaz est ouvert peut provoquer une perte de contrôle du véhicule et entraîner des blessures graves, voire mortelles. Relâchez toujours l'accélérateur avant d'appuyer sur le commutateur de neutralisation.

COMMANDES ET CARACTÉRISTIQUES

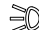
2 Commutateur des phares

Le commutateur des phares comprend 4 positions :


: Lorsque le commutateur est sur cette position, les feux de route, les feux de position avant, les feux arrière et les feux de la plaque d'immatriculation sont allumés.


: Lorsque le commutateur est sur cette position, les feux de croisement, les feux de position avant, les feux arrière et les feux de la plaque d'immatriculation sont allumés.

OFF : Lorsque le commutateur est sur cette position, seuls les feux de jour sont allumés et tous les autres feux sont éteints.


: Lorsque le commutateur est sur cette position, les feux de jour, les feux arrière et les feux de position avant sont allumés.

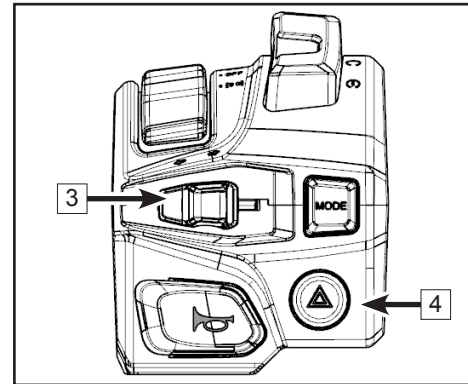
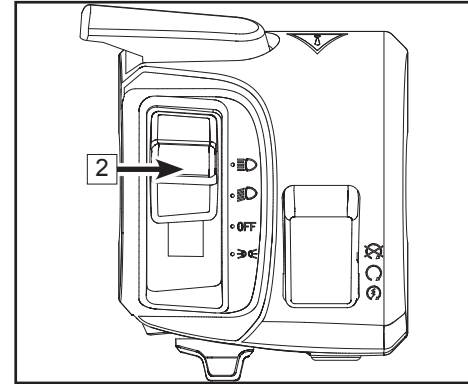
3 Clignotant (si le VTT en est équipé)

Placez le commutateur sur  pour activer le clignotant gauche; l'indicateur s'allume.

Placez le commutateur sur  pour activer le clignotant droite; l'indicateur s'allume.

4 Bouton Feux de détresse (si le VTT en est équipé)

Appuyez sur le bouton . Les clignotants avant et arrière, de même que le voyant des feux de détresse sur le tableau de bord, clignotent.




COMMANDES ET CARACTÉRISTIQUES

ATTENTION


Ne laissez pas les phares allumés pendant plus de 15 minutes lorsque le moteur est arrêté. La batterie pourrait se décharger à un point tel qu'elle ne contiendra plus assez de puissance pour permettre de redémarrage du moteur. Dans ce cas, retirez la batterie du véhicule et rechargez-la.

5 Bouton de klaxon


 Appuyez sur le bouton pour faire retentir l'avertisseur sonore.

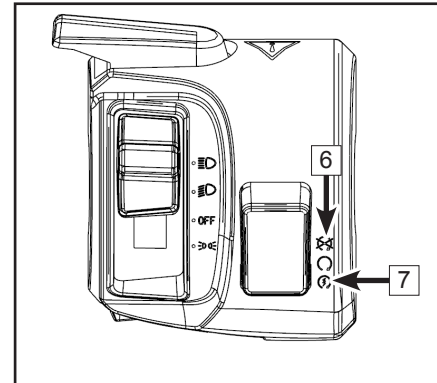
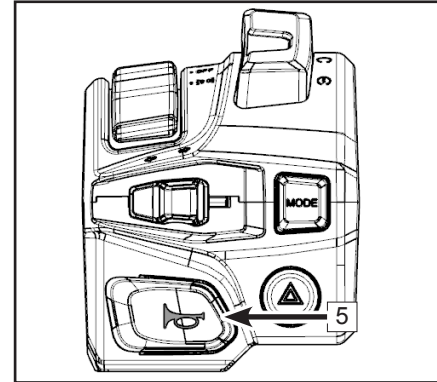
6 Bouton d'arrêt/démarrage du moteur

Lorsque le bouton est sur la position , il coupe le moteur.

Lorsque le bouton est sur la position , le moteur est prêt à démarrer.

7 Bouton de démarrage

Lorsque le commutateur principal est placé sur la position ON et que le bouton d'arrêt/ démarrage du moteur est sur , appuyer sur le bouton démarrage (7) pour mettre en marche.



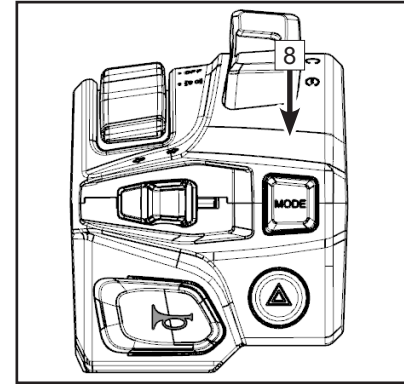
COMMANDES ET CARACTÉRISTIQUES

8 Bouton de mode

Lorsque vous appuyez sur le bouton MODE, vous pouvez le maintenir enfoncé ou le relâcher pour changer de mode de conduite comme suit :

Les modes suivants s'affichent sur le tableau de bord, en fonction de la position du bouton Mode :

WORK	<p>Lorsque le bouton est sur cette position, le véhicule est en mode "WORK" et l'affichage du tableau de bord passe également en mode "WORK". Le véhicule aura une réponse moins agressive de l'accélérateur pour des démarrages en douceur. Ce mode est destiné à des pistes plates, des sols en terre battue, etc., et convient pour des randonnées de promenade.</p> <p>REMARQUE : N'utilisez pas ce mode dans des conditions de conduite qui imposent une charge élevée sur la courroie TVC, car cela peut entraîner des dommages.</p>
NORMAL	<p>Lorsque le bouton est sur cette position, le véhicule est en mode "NORMAL". L'affichage du tableau de bord passe également en mode "NORMAL". Le véhicule aura une réponse plus rapide à l'accélération.</p> <p>REMARQUE : Utilisez ce mode lorsque vous transportez des charges, lorsque vous roulez sur des terrains difficiles ou sur des sentiers, ou dans des conditions de conduite qui peuvent imposer une charge élevée sur la courroie TVC.</p>

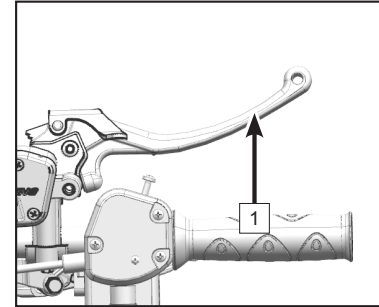


COMMANDES ET CARACTÉRISTIQUES

Commandes côtés droit

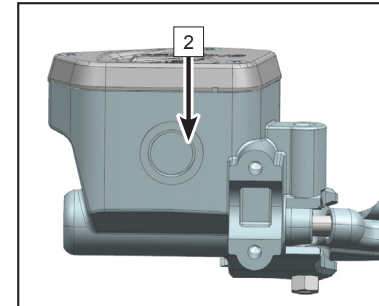
1 Frein avant

Le levier du frein avant se trouve du côté droit du guidon et commande uniquement les freins avant. Serrez-le en direction du guidon pour appliquer le frein avant. Lorsqu'il est resserré, le levier ou la pédale de frein doit être ferme. Si le levier ou la pédale donne une sensation spongieuse, cela pourrait indiquer une fuite éventuelle du liquide de frein ou un trop bas niveau du fluide du maître-cylindre : dans ce cas, il faut résoudre le problème avant de conduire. Contactez votre concessionnaire pour le diagnostic et les réparations appropriés.



2 Réservoir du liquide frein avant et indicateur de niveau

Vérifiez le niveau du liquide du maître-cylindre du frein avant chaque utilisation du VTT. Le maître-cylindre du frein avant est situé à la droite du guidon. On peut vérifier le niveau du liquide par la fenêtre du niveau sur le côté du maître-cylindre. Si le niveau de liquide est inférieur au repère « Minimum », ajoutez du liquide de frein selon les besoins.



AVERTISSEMENT

Un réservoir du maître-cylindre de frein trop plein peut provoquer une résistance au freinage ou un blocage des freins, ce qui risque d'entraîner un accident causant des blessures graves voire mortelles. Maintenez le liquide de frein au niveau recommandé. Évitez de trop remplir.

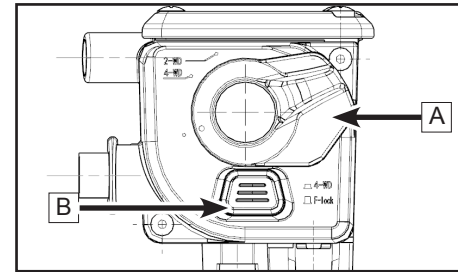
COMMANDES ET CARACTÉRISTIQUES

3 Commutateur du système 2WD / 4WD

Ce véhicule est équipé de commutateurs de commande « 2WD/4WD » et « 4WD/F-LOCK ». Actionnez ces commutateurs en fonction de la traction requise pour les différentes conditions de conduite :

A : Passe en mode deux roues motrices (2-WD) et quatre roues motrices (4-WD).

B : Passe en mode quatre roues motrices (4-WD) et blocage de différentiel (F-LOCK).



Véhicules sans différentiel arrière

AVERTISSEMENT

Le véhicule doit impérativement être à l'arrêt pour engager ou désengager la fonction 2WD / 4WD / F-LOCK. Des dommages mécaniques peuvent se produire si le commutateur est engagé ou désengagé durant la conduite.

Fonctionnement du mode « F-LOCK »

En mode « F-LOCK », les deux essieux avant sont verrouillés ensemble et tournent à la même vitesse pour produire une traction maximale des roues avant. La direction exigera davantage de force pour les virages. L'indicateur du mode de conduite sur le tableau de bord clignotera jusqu'à ce que le verrouillage du différentiel avant soit engagé.

Conduire avant que le différentiel soit correctement engagé (par ex., quand le voyant lumineux clignote) entraînera une limitation de la vitesse du moteur jusqu'à ce que l'engagement soit complet.

La vitesse maximale de conduite en mode F-LOCK est limitée à 22 mi/h (30 km/h). Si les conditions exigent la pleine puissance de moteur, appuyez sur le commutateur de neutralisation sur la commande gauche pour désactiver la limitation de vitesse.

COMMANDES ET CARACTÉRISTIQUES

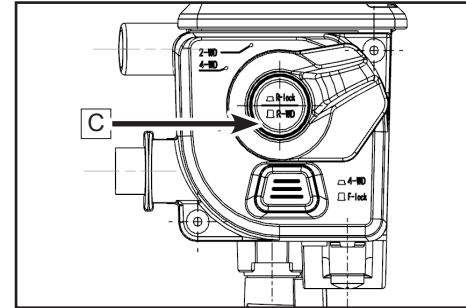
C Bouton R-LOCK (certains pays seulement) :

Commute le différentiel de traction arrière et le blocage de la traction arrière. Cette fonction s'applique uniquement aux véhicules équipés de la fonction R-WD/R-Lock.

Mode R-LOCK

En mode "R-lock", les deux essieux arrière sont verrouillés ensemble et tournent à la même vitesse pour fournir une traction maximale des roues arrière. L'effort de braquage et l'usure des pneus seront augmentés sur les surfaces dures. L'indicateur de mode de conduite sur le tableau de bord clignote jusqu'à ce que le blocage du différentiel arrière soit engagé.

Rouler avant que le différentiel ne soit correctement engagé (par exemple lorsque le témoin lumineux clignote) entraînera une limitation du régime moteur jusqu'à ce que l'engagement soit complet.

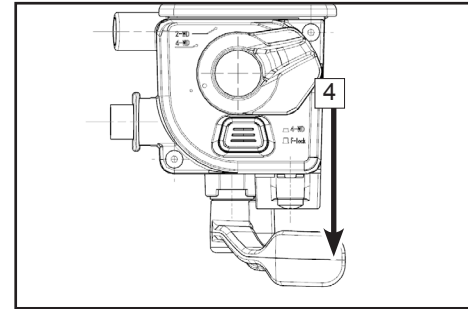


Véhicules avec différentiel arrière

COMMANDES ET CARACTÉRISTIQUES

4 La manette des gaz

Une fois que le moteur tourne, le mouvement de la manette des gaz augmentera la vitesse du moteur. Réglez la vitesse de la machine en faisant varier la position de l'accélérateur. Étant donné que l'accélérateur est à ressort, la machine décélère et le moteur revient au ralenti chaque fois que la main est retirée du levier d'accélérateur. Avant de démarrer le moteur, vérifiez l'accélérateur pour vous assurer qu'il fonctionne correctement. Assurez-vous qu'il revient en position de repos dès que le levier est relâché.



AVERTISSEMENT

Vérifiez le fonctionnement de la manette des gaz avant de démarrer le moteur. Si cela ne fonctionne pas correctement, recherchez la cause. Corrigez le problème avant de conduire le VTT. Consultez votre revendeur si vous ne trouvez pas ou ne résolvez pas le problème.

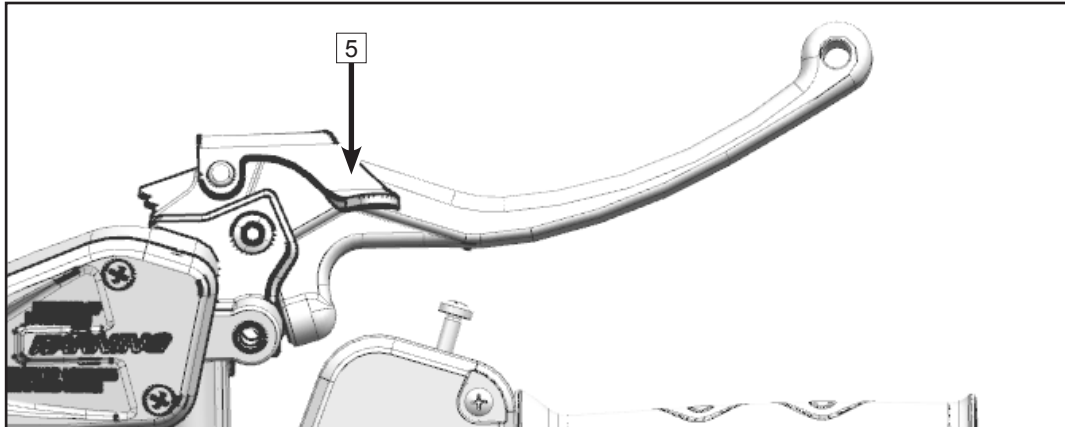
COMMANDES ET CARACTÉRISTIQUES

5 Frein à main (de stationnement)

Le levier du frein à main hydraulique est monté sur le frein de stationnement situé sur la poignée droite du guidon. Pour utiliser le frein de stationnement, serrez fermement le frein à main de droite tout en pressant sur la pédale de frein, puis serrez le levier du frein à main hydraulique 5 en utilisant la main gauche.

⚠ ATTENTION

Ne vous fiez jamais uniquement au frein à main hydraulique lorsque le véhicule est garé sur une pente. Pour plus de sécurité, placez le levier des vitesses sur la position de stationnement et bloquez les roues pour empêcher le véhicule de se déplacer.



COMMANDES ET CARACTÉRISTIQUES

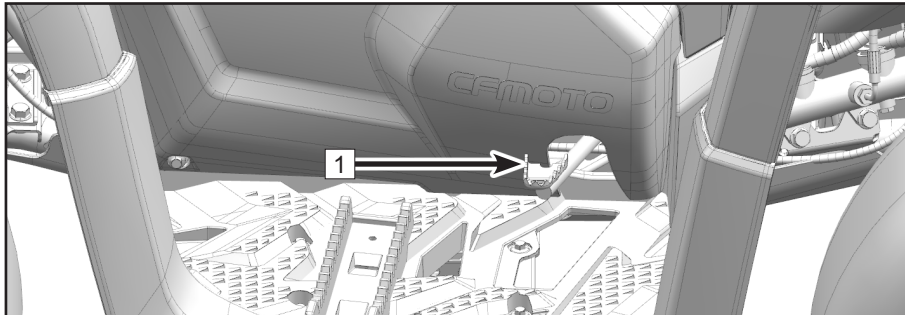
Frein à pied

La pédale de frein **1** est située du côté droit du plancher du véhicule. En appuyant sur la pédale, vous actionnez les freins avant et arrière en même temps.

Lorsque vous enfoncez la pédale, vous devez sentir la pédale ferme. Une pédale de frein molle ou spongieuse pourrait indiquer une fuite éventuelle du liquide de frein ou un trop bas niveau du fluide du maître-cylindre : dans ce cas, il faut résoudre le problème avant de conduire. Contactez votre concessionnaire pour le diagnostic et les réparations appropriés.

AVERTISSEMENT

Utiliser le VTT avec un levier de frein mou ou une pédale de frein spongieuse peut entraîner une perte de contrôle et provoquer un accident. Ne conduisez jamais avec un levier de frein mou ou une pédale de frein spongieuse.



COMMANDES ET CARACTÉRISTIQUES

Vérification du niveau dans le réservoir du liquide de la pédale de frein

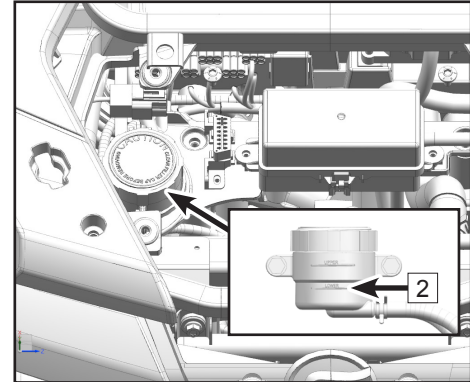
REMARQUE :

Retirez le capot d'accès avant, puis vérifiez le niveau du liquide.

Pour la vérification du niveau de liquide, le VTT doit se trouver sur une surface plane. Si le niveau de liquide est inférieur au repère « Minimum » [2], ajoutez du liquide de frein DOT4. Évitez de trop remplir.

AVERTISSEMENT

N'entreposer et n'utilisez jamais une bouteille de liquide de frein ouverte. Le liquide de frein est un produit hygroscopique, c'est-à-dire qu'il absorbe rapidement l'humidité contenue dans l'air. Cette absorption abaisse la température d'ébullition du liquide de frein, ce qui peut provoquer un évanouissement prématuré des freins et présenter des risques d'accidents et de blessures graves. Après avoir ouvert une bouteille de liquide de freins, il faut toujours jeter la portion non utilisée.



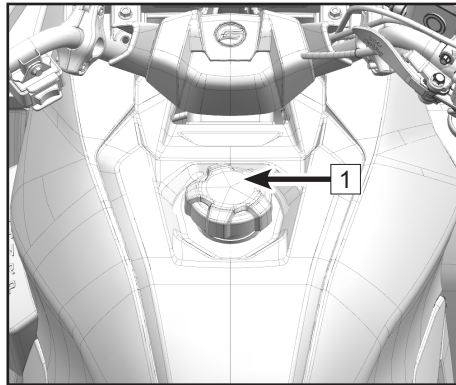
COMMANDES ET CARACTÉRISTIQUES

Réservoir de carburant

Le bouchon du réservoir de carburant se trouve à l'avant du véhicule. Ouvrez le bouchon 1 pour remplir le réservoir de carburant.

Indice d'octane minimum

Le carburant recommandé pour votre VTT est une essence super à indice d'octane de 89 minimum, (un mélange contenant jusqu'à 10 % d'éthanol est permis). Du carburant non oxygéné (sans éthanol) est recommandé pour la meilleure performance dans toutes les conditions.



COMMANDES ET CARACTÉRISTIQUES

Sécurité en matière de carburant

AVERTISSEMENT

L'essence est extrêmement inflammable et ses vapeurs explosives dans certaines conditions.

- Redoublez toujours de prudence toutes les fois que vous manipulez de l'essence.
- Faites toujours le plein avec le moteur arrêté, et à l'extérieur ou dans un lieu bien ventilé.
- Ne transportez jamais de l'essence, pendant la conduite, dans un contenant en plastique placé sur un porte-bagages. L'électricité statique entre le porte-bagages et le contenant peut provoquer une étincelle.
- Ne fumez pas et évitez à tout prix les flammes nues ou les étincelles dans ou à proximité de l'endroit où vous faites le plein, ou du lieu où de l'essence est entreposée.
- Ne remplissez pas le réservoir excessivement. Ne remplissez pas le réservoir à ras bord.
- Si de l'essence se renverse sur votre peau ou vos vêtements, lavez immédiatement avec de l'eau et du savon, et changez vos vêtements.
- Ne mettez jamais le moteur en marche ou ne le laissez jamais tourner dans des lieux clos. Les gaz d'échappement du moteur sont toxiques et peuvent entraîner une perte de conscience ou la mort en peu de temps.

AVERTISSEMENT

Les gaz d'échappement du moteur de ce véhicule contiennent des produits chimiques reconnus comme pouvant causer le cancer, des anomalies congénitales ou d'autres dommages de l'appareil reproducteur. Utilisez ce véhicule seulement à l'extérieur ou dans des zones bien ventilées.

COMMANDES ET CARACTÉRISTIQUES

Sélecteur de vitesse

Le sélecteur de vitesses [1] est situé du côté gauche du VTT.

⚠ ATTENTION

Arrêtez toujours le VTT et appuyez sur la pédale de frein avant de changer de vitesse. Changer de vitesse avec un régime moteur supérieur au ralenti ou pendant que le véhicule est en mouvement pourrait endommager la transmission.

L – Vitesse basse. La plage de vitesse faible de la boîte de vitesses. Il permet au véhicule de se déplacer lentement avec un couple maximal aux roues.

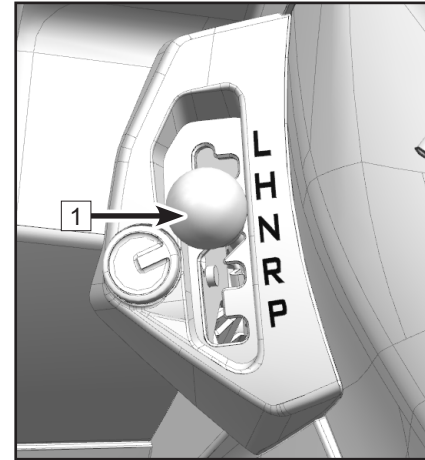
AVIS : Pour éviter d'endommager le système TVC, utilisez toujours un rapport bas pour un déplacement lent et constant, pour tirer une remorque, transporter des marchandises lourdes, franchir des obstacles ou monter et descendre des pentes.

H – Vitesse élevée. La plage de vitesse élevée de la boîte de vitesses. Il s'agit de la plage de vitesse de conduite normale. Il permet au véhicule d'atteindre sa vitesse maximale.

N – Neutre. En position neutre, la puissance du moteur est désactivée.

R – Marche arrière. La position marche arrière permet au véhicule de reculer. La vitesse est limitée en marche arrière.

P – Stationnement. La position de stationnement verrouille la boîte de vitesses pour empêcher le véhicule de bouger.



↑ L: Basse vitesse
H: Vitesse élevée
N: Neutre
R: Marche arrière
↓ P: Stationnement

COMMANDES ET CARACTÉRISTIQUES

Stationnement

Pour garer le VTT, coupez le moteur, enfoncez la pédale de frein, et faites glisser le sélecteur de vitesses [1] sur la position **P** (stationnement).

⚠ ATTENTION

Lorsque vous voulez passer en position **P**, enfoncez toujours d'abord la pédale de frein. Ballotez le VTT vers l'avant et vers l'arrière pour vérifier que le levier des vitesses est bien engagé.

Ne transportez jamais le VTT avec le sélecteur de vitesses sur la position **P**. Cela pourrait endommager le système de transmission.

Consignes de sécurité importantes

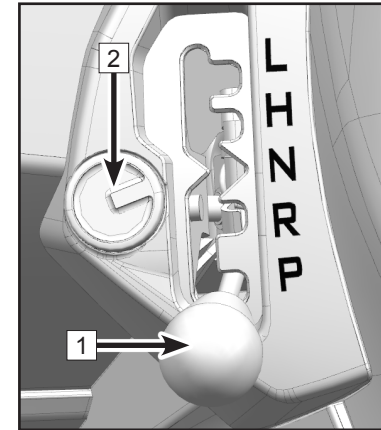
Ne vous fiez jamais à la seule fonction de stationnement si le VTT est garé sur une pente. Bloquez toujours les roues du côté incliné du VTT pour éviter le roulement. Il est recommandé de garer le VTT sur une surface horizontale.

Verrouillage du sélecteur de vitesses (le cas échéant)

Le dispositif de blocage [2] du sélecteur de vitesses permet de verrouiller la transmission afin d'empêcher le vol du VTT.

Si le VTT doit rester longtemps arrêté ou bien rester garé longtemps à l'extérieur, placez le sélecteur de vitesses [1] sur « **P** » et verrouillez la transmission au moyen du dispositif de blocage [2] afin d'empêcher le vol.

Le sélecteur de vitesses en position parking, soulevez le couvercle de la serrure, puis insérez la clé. Le sélecteur de vitesses étant en position « **P** », insérez la clef puis tournez-la de 180° dans le sens horaire. Le sélecteur de vitesses sera verrouillé.



COMMANDES ET CARACTÉRISTIQUES

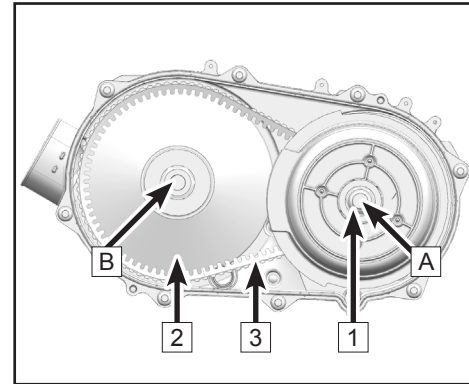
Systeme TVC

Ce véhicule est équipé d'un système de transmission à variation continue (TVC) qui utilise une courroie d'entraînement et des poulies d'embrayage pour faire varier automatiquement les rapports d'entraînement de la transmission, permettant ainsi une variabilité infinie entre les vitesses les plus élevées et les plus basses de véhicule sans passer par des étapes ou des changements de vitesse distincts.

Le système TVC se compose d'un embrayage primaire [1], qui est une forme évoluée d'embrayage centrifuge et qui est couplé au vilebrequin [A]. L'embrayage primaire contient également un palier unidirectionnel qui crée un effet de freinage du moteur visant à ralentir le VTT sans recourir au frein à main ou à la pédale de frein.

L'embrayage secondaire [2] est couplé à l'arbre d'entrée de la boîte de vitesse [B] et remplit deux fonctions : il sert de poulie asservie à l'embrayage primaire, et il fournit un élément de détection de couple. La courroie d'entraînement [3] est une courroie trapézoïdale très robuste qui relie les poulies d'embrayage du moteur et de la transmission.

Un carter et un capot de TVC protègent l'ensemble embrayages et courroie. Des conduits de refroidissement à l'entrée et la sortie font circuler de l'air pour refroidir les composants, lesquels doivent être régulièrement inspectés. Les composants du système TVC ne contiennent aucune pièce réparable par l'utilisateur. Contactez votre concessionnaire pour l'entretien ou la réparation.



COMMANDES ET CARACTÉRISTIQUES

REMARQUE :

Pour prolonger la vie utile de la courroie, utilisez la basse vitesse de marche avant si vous tractez de lourdes charges et lorsque vous roulez à moins de 7 mi/h (11 km/h) durant de longs trajets. Si un remorquage du VTT est nécessaire, passez le levier des vitesses sur la position **N** (neutre) pour une meilleure mobilité et pour éviter d'endommager la courroie.

Système de freinage moteur (EBS)

Ce véhicule est équipé d'un système de freinage du moteur. L'embrayage primaire de la TVC monté sur le vilebrequin du moteur comprend un roulement unidirectionnel qui force le freinage du moteur, lequel se produit lorsque le papillon des gaz est complètement fermé, ou lorsque la vitesse du moteur est plus basse que le régime d'engagement de l'embrayage primaire, ou encore lorsque le véhicule est en mode d'accélération. L'EBS utilise la force résistive de compression du moteur pour ralentir la survitesse dans la boîte de vitesses grâce à la courroie d'entraînement de la TVC, freinant ainsi graduellement tout le véhicule.

Le freinage du moteur est toujours actif et il est le plus pratique lorsque :

- Il est utilisé de concert avec les modes 4WD et 4WD F-LOCK
- Le VTT descend des pentes raides ou glissantes.
- Le VTT descend des pentes sur terrain rocheux.
- Le VTT ralentit alors qu'il remorque des charges lourdes.
- Il est utilisé comme aide à l'application du système de freinage normal.

Le système EBS ne remplace pas le système de freinage du véhicule, même si son utilisation permet d'accroître la vie utile des plaquettes et des disques de frein lorsqu'il sert de complément au fonctionnement normal de système de freinage. Le système EBS ne peut pas être ajusté, et ne contient aucune pièce réparable par l'utilisateur. Contactez votre concessionnaire pour l'entretien ou la réparation.

COMMANDES ET CARACTÉRISTIQUES

Comment éviter une défaillance de la courroie d'entraînement et des pièces du système TVC

Vous pouvez nettement prolonger la durée de vie de l'embrayage et de la courroie de la TVC en évitant les erreurs courantes ci-après lors de l'utilisation du VTT :

Ce qui peut endommager la TVC	Comment éviter la défaillance de la TVC
Tenter de charger le véhicule sur le plateau d'un camion ou d'une remorque surélevée avec le levier sur la gamme de vitesse élevée.	Passez à la gamme de vitesse basse lors du chargement du véhicule afin d'éviter de brûler la courroie d'entraînement.
Démarrer le véhicule sur une pente raide à haute vitesse.	Pour démarrer sur une pente raide, utilisez la gamme de vitesse basse ou quittez le VTT (après avoir appliqué le frein de stationnement), et faites un virage en K.
Conduite constante à bas régime, conduite juste au-dessus du régime d'engagement de l'embrayage ou à basse vitesse (moins de 12 mph [19 km/h]) en vitesse élevée.	Utilisez une vitesse basse pour des températures de fonctionnement TVC plus froides et une durée de vie plus longue des composants. Conduisez à des vitesses plus élevées ou utilisez les rapports bas plus fréquemment.
Réchauffage insuffisant de la TVC exposée à de basses températures ambiantes.	Réchauffer le moteur avant de conduire; ainsi la courroie d'entraînement de la TVC s'assouplira et évitera de brûler.
Une opération lente de l'accélérateur au moment de l'engagement de la TVC.	Utiliser la commande d'accélérateur effectivement et sans hésitation pour engager l'embrayage de la TVC.
Remorquer ou pousser à bas régime / à basse vitesse de déplacement.	Utilisez la gamme de vitesse basse seulement.
Usage utilitaire / déblaiement de neige, de poussière, etc.	Utilisez la gamme de vitesse basse seulement.

COMMANDES ET CARACTÉRISTIQUES


Ce qui peut endommager la TVC	Comment éviter la défaillance de la TVC
Transporter une lourde charge sur le véhicule à basse vitesse.	Utilisez la gamme de vitesse basse seulement.
Immobilisation dans la boue ou la neige.	<p>Passez le levier des vitesses en gamme de vitesse basse et, avec prudence, accélérez rapidement et vigoureusement pour engager l’embrayage de la TVC.</p> <p>AVERTISSEMENT : Accélérer trop brutalement peut causer la perte de contrôle et le retournement du véhicule.</p>
Franchir des objets de grande taille de la position d’arrêt.	<p>Passez en gamme de vitesse basse et, avec prudence, accélérez rapidement, brièvement et vigoureusement pour engager l’embrayage de la TVC.</p> <p>AVERTISSEMENT : Accélérer trop brutalement peut causer la perte de contrôle et le retournement du véhicule.</p>
Patinage de la courroie résultant de l’infiltration d’eau ou de neige dans la TVC.	Videz l’eau du carter de la TVC et, si possible, faites sécher la TVC; ou encore contactez votre concessionnaire.
La surchauffe des composants de la TVC entraîne une défaillance.	Contactez votre concessionnaire pour une inspection et la réparation des composants de la TVC.


COMMANDES ET CARACTÉRISTIQUES

Caractéristiques du véhicule

Clé de contact 1

Les fonctions de la clé de contact, selon la position de la clé, sont comme suit :

 : Tous les circuits électriques sont mis sous tension. Dans cette position, on peut démarrer le moteur mais la clé de contact ne peut pas être retirée.

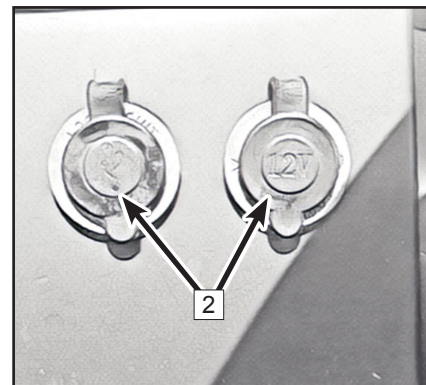
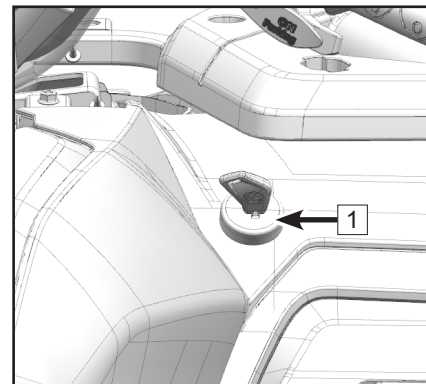
 : Tous les circuits électriques sont déconnectés. Dans cette position, on peut retirer la clé de contact.

La position **P** n'a aucune fonction.

REMARQUE : Retirez la clé de contact de réserve et rangez-la en lieu sûr. Votre clé peut être dupliquée uniquement en utilisant une ébauche de clé de CFMOTO et en la façonnant à partir d'une de vos clés existantes. Si les deux clefs sont perdues, le mécanisme de démarrage au complet doit être remplacé.

Prise d'alimentation et prises USB 2

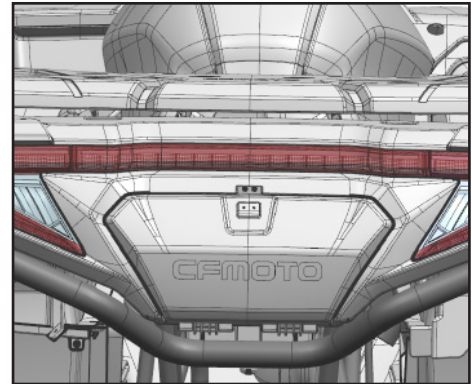
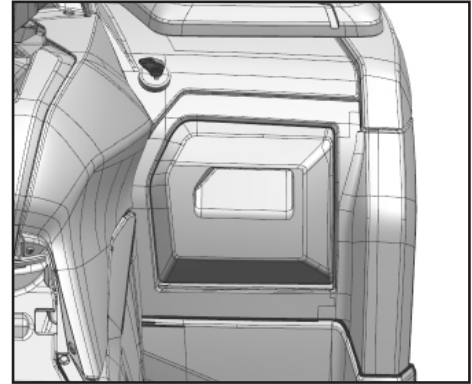
Une alimentation auxiliaire 12 Vc.c. et des prises USB, installées du côté gauche du garde-boue avant, permettent d'utiliser des accessoires tels que des projecteurs à main, et de recharger des appareils électroniques. Contactez votre concessionnaire pour des détails sur l'utilisation d'accessoires électriques alimentés par votre véhicule.



COMMANDES ET CARACTÉRISTIQUES

Coffre de rangement avant / Coffre de rangement arrière

Ce véhicule est équipé de coffres de rangement sur le côté avant droit et dans la partie arrière.



COMMANDES ET CARACTÉRISTIQUES

Connecteur d'alimentation pour remorque (si le VTT en est équipé) 1

Selon la configuration du marché, ce véhicule est équipé d'une prise de courant de remorque à 7 broches, située à l'arrière du véhicule. Les fils de prise sont configurés selon la norme indiquée dans l'image. Une prise de courant et un convertisseur de remorque accessoire sont requis pour les remorques qui n'ont pas de connecteur à 7 broches. Contactez votre revendeur pour plus d'informations.

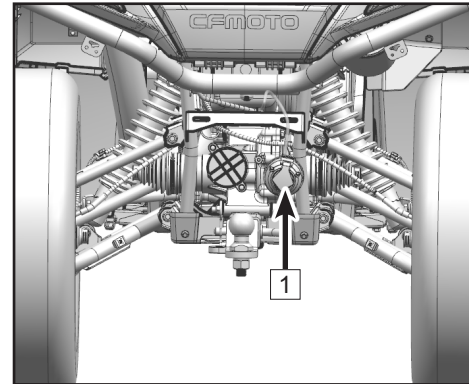
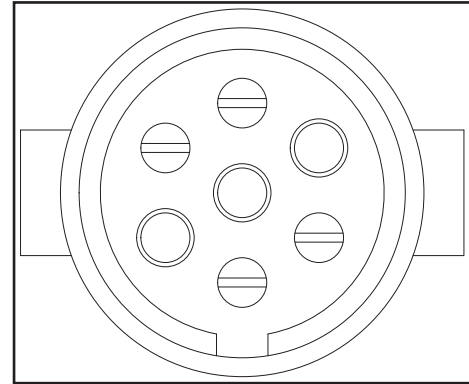
ATTENTION

Une fois équipé, la consommation électrique du clignotant unilatéral au niveau de la prise de courant de la remorque doit toujours être comprise entre 1 W et 21 W.

CFMOTO recommande de vérifier les besoins en énergie de votre remorque pour vous assurer qu'elle se situe dans la plage de puissance nécessaire pour éviter une panne des feux de virage.

Remorquage

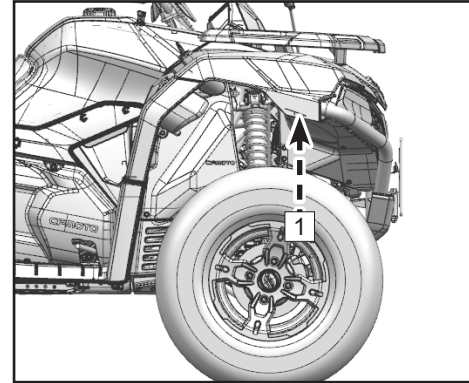
Ce véhicule est équipé d'un récepteur d'attelage pour remorque. Veuillez consulter votre concessionnaire au sujet du remorquage, de l'utilisation de remorques et des accessoires disponibles pour connecter une remorque au véhicule.



COMMANDES ET CARACTÉRISTIQUES

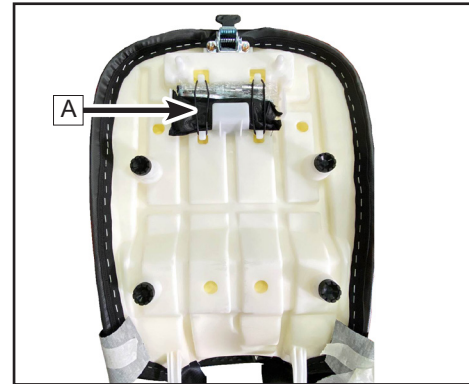
Boîtier télématique (T-BOX) (Si équipé) - 1

En fonction des exigences du marché, ce véhicule CFMOTO est équipé d'un terminal de véhicule intelligent, ou T-Box 1, qui établit un pont de communication entre le propriétaire et le véhicule via l'application CFMOTO RIDE installée sur un appareil mobile. L'application CFMOTO RIDE est disponible en téléchargement depuis l'App Store d'Apple ou Google Play pour Android. Contactez un concessionnaire agréé sur votre marché pour déterminer si votre véhicule est équipé d'un T-box.



Trousse à outils

La trousse à outils A est située sous le siège.



COMMANDES ET CARACTÉRISTIQUES

Treuil

Ce véhicule est équipé d'un treuil de 3500 lb. La télécommande du treuil se trouve à la gauche du guidon. Afin de préserver la capacité de la batterie, utilisez le treuil seulement lorsque le moteur tourne. Consultez votre concessionnaire à propos de l'utilisation adéquate du treuil sur votre véhicule.

MESURES DE SÉCURITÉ GÉNÉRALES RELATIVES AU FONCTIONNEMENT DU TREUIL

Dangers liés aux pièces mobiles

Afin d'éviter des blessures graves et de sérieux dommages matériels :

- N'actionnez pas un treuil sans avoir au préalable lu et compris toutes les instructions décrites dans ce manuel et dans le Guide de base des techniques de treuillage.
- Tenez toujours vos mains loin du câble métallique du treuil, du guide-câble et du crochet lors du fonctionnement du treuil.
- Utilisez toujours la sangle à crochet fournie lorsque vous déroulez le câble métallique.
- Restez toujours éloigné du câble métallique et de la charge lors du fonctionnement du treuil.
- Gardez toute personne éloignée lors du fonctionnement du treuil.
- Vérifiez l'installation de treuil et l'état du câble métallique avant chaque utilisation du treuil.
- N'utilisez pas le treuil comme appareil de levage.
- N'utilisez pas le treuil pour soulever ou transporter des personnes.
- Ne dépassez pas la capacité de traction nominale du treuil.
- Ne touchez jamais le câble métallique ou le crochet alors que le câble est en tension.
- Assurez-vous que le point d'attache que vous avez choisi supportera la capacité de charge.
- N'attachez jamais le câble métallique en le repliant sur lui-même. Utilisez un protecteur de tronc d'arbre ou une chaîne sur le point d'attache.

COMMANDES ET CARACTÉRISTIQUES

- Assurez-vous que le point d'attache que vous avez choisi supportera la capacité de charge.
- N'attachez jamais le câble métallique en le repliant sur lui-même. Utilisez un protecteur de tronc d'arbre ou une chaîne sur le point d'attache.
- Avant de commencer une opération de treuillage, assurez-vous d'enlever tout élément qui pourrait gêner le fonctionnement sécuritaire du treuil.
- Ne relâchez jamais l'embrayage du tambour sur le treuil lorsque le câble du treuil est sous charge ou en tension.
- Prenez votre temps. Une mauvaise manœuvre du câble métallique et de la charge entraîne des accidents.
- Le câble métallique doit toujours être enroulé sur le tambour dans le sens montré par l'indicateur de rotation.

Pour éviter des blessures et des dommages matériels :

- N'utilisez pas le treuil pour sécuriser le véhicule ou pour transporter une charge.
- N'immergez pas le treuil dans l'eau.
- N'utilisez pas le treuil pour remorquer d'autres véhicules.
- Portez des gants épais en cuir lorsque vous manipulez le câble métallique.
- Faites en sorte qu'au moins cinq spires complètes de câble restent enroulées sur le tambour durant le fonctionnement du treuil.
- Faites preuve de prudence si le véhicule est arrimé durant une opération de treuillage. Ceci peut endommager le châssis du VTT.

COMMANDES ET CARACTÉRISTIQUES

Fonctionnement du treuil

(Certains marchés) Votre véhicule peut être équipé d'un treuil capable de tirer certaines capacités et certains types de charges. Il est utile pour l'auto-récupération du véhicule lorsqu'il est bloqué, pour aider un autre véhicule à récupérer, pour déplacer les arbres tombés, pour enlever les broussailles, etc.

Envisagez de pratiquer le fonctionnement et l'utilisation de votre treuil avant d'avoir réellement besoin de l'utiliser.

Les avertissements de sécurité, les précautions d'utilisation et les instructions de cette section s'appliquent si votre véhicule est équipé d'un treuil ou si vous choisissez d'installer un treuil accessoire sur votre véhicule :

Avertissements de sécurité du treuil

Ces avertissements de sécurité s'appliquent si votre véhicule est équipé d'un treuil ou si vous choisissez d'installer un treuil accessoire sur votre véhicule :

- Lire et comprendre toutes les sections de ce manuel.
- Une mauvaise utilisation du treuil ou le non-respect des directives, instructions et avertissements du treuil contenus dans ce manuel peut entraîner des BLESSURES GRAVES, voire la MORT.
- Un entretien et un entretien inappropriés ou insuffisants du treuil peuvent entraîner des BLESSURES GRAVES, voire la MORT.
- Gardez toujours le corps, les cheveux, les vêtements et les bijoux éloignés du câble du treuil, du guide-câble et du crochet pendant le fonctionnement du treuil.
- Gardez toujours la zone autour du véhicule, du treuil, du câble de treuil et de la charge à l'écart des personnes, des animaux domestiques et des distractions pendant le fonctionnement du treuil.
- Portez toujours des lunettes de protection et des gants épais pendant l'utilisation du treuil.
- Ne consommez jamais d'alcool ou de drogues avant ou pendant l'utilisation du treuil.

COMMANDES ET CARACTÉRISTIQUES

- Ne laissez jamais des enfants de moins de 16 ans utiliser le treuil.
- N'essayez jamais de « secouer » une charge attachée au treuil en déplaçant le véhicule.
- Ne treuiliez jamais vers le haut ou vers le bas, ou sur les côtés à des angles vifs. Cela peut déstabiliser le véhicule de treuillage et éventuellement le faire bouger sans avertissement.
- N'essayez jamais de treuiller des charges qui pèsent plus que la capacité nominale du treuil.
- Ne touchez, poussez, tirez ou chevauchez jamais le câble pendant le treuillage d'une charge.
- Ne laissez jamais le câble du treuil passer entre vos mains, même si vous portez des gants épais.
- Ne relâchez jamais le tambour du treuil lorsque le câble du treuil est sous charge.
- N'utilisez jamais le treuil pour soulever ou transporter des personnes.
- Ne jamais utiliser le treuil pour hisser ou suspendre une charge verticale.
- Ne rétractez jamais complètement le crochet dans le treuil. Cela peut endommager les composants du système.
- N'utilisez jamais le treuil ou le véhicule s'ils ont besoin d'être réparés ou entretenus.
- Mettez toujours le contacteur d'allumage sur OFF et débranchez la télécommande (le cas échéant) pour éviter une activation par inadvertance ou une utilisation non autorisée lorsque le véhicule ou le treuil ne sont pas utilisés.

COMMANDES ET CARACTÉRISTIQUES

Précautions d'utilisation du treuil

Ces précautions d'utilisation doivent toujours être suivies si votre véhicule est équipé d'un treuil, ou si vous choisissez d'installer un treuil accessoire sur votre véhicule :

- Inspectez toujours votre treuil et son câble avant chaque utilisation.
- Utilisez toujours la sangle à crochet fournie pour tirer ou guider le câble. Ne saisissez jamais le crochet.
- Alignez toujours la charge directement devant le véhicule et treuillez autant que possible. Évitez de treuiller avec le câble à un angle aigu par rapport à l'axe central du véhicule de treuillage dans la mesure du possible. Si le treuillage à un angle est inévitable, suivez ces précautions lors de l'utilisation:
 - A. Regardez de temps en temps le tambour du treuil. Ne jamais laisser le câble du treuil « s'empiler » ou s'accumuler à une extrémité du tambour. Trop de câble à une extrémité du tambour peut endommager le treuil et le câble.
 - B. Si un empilement de câbles se produit, arrêtez le treuillage. Suivez la section « Directives d'enroulement du câble du treuil » de ce manuel pour redistribuer le câble uniformément avant de continuer.
- Serrez toujours le frein de stationnement du véhicule et/ou le mécanisme de stationnement pour maintenir le véhicule en place pendant le treuillage. Utilisez des cales de roue si nécessaire.
- Maintenez toujours au moins cinq tours complets de câble enroulés autour du tambour du treuil à tout moment. La friction fournie par le câble enroulé permet au tambour de tirer sur le câble du treuil et de déplacer la charge.
- Ne jamais graisser ou huiler le câble du treuil. Cela entraînera la collecte de débris par le câble du treuil, ce qui réduira la durée de vie du câble.

COMMANDES ET CARACTÉRISTIQUES

- Le moteur du treuil et le connecteur de relais peuvent devenir chauds lors d'une utilisation continue. Lors du treuillage pendant plus de 45 secondes, ou si le treuil cale pendant le fonctionnement, arrêtez et laissez les composants du treuil refroidir pendant au moins 10 minutes avant de le réutiliser.
- Ne faites jamais fonctionner le treuil sans faire tourner le moteur. Le système de charge du moteur aide à maintenir la batterie en bon état. La capacité de réserve de la batterie peut être rapidement épuisée par une utilisation intensive du treuil, rendant le système de démarrage inutilisable.
- Opérez toujours dans le respect de l'environnement. Ne pas endommager intentionnellement les arbres, etc.

Fonctionnement de base du treuil

Suivez ces instructions d'utilisation si votre véhicule est équipé d'un treuil ou si vous choisissez d'installer un treuil accessoire sur votre véhicule. Lisez les avertissements de sécurité et les précautions d'utilisation du treuil dans les pages précédentes avant d'utiliser votre treuil.

AVANT DE COMMENCER - Sachez que chaque situation de treuillage est unique :

- Prenez votre temps pour réfléchir à l'opération de treuil que vous êtes sur le point d'effectuer.
- Procédez lentement et délibérément.
- Ne vous pressez jamais ou ne vous précipitez jamais pendant le treuillage.
- Faites toujours attention à votre environnement.
- Soyez prêt à changer votre stratégie de treuillage si cela ne fonctionne pas.
- N'oubliez pas que même si votre treuil est très puissant, il y a simplement certaines situations que vous et le treuil ne pourrez pas gérer. N'ayez pas peur de demander de l'aide aux autres si nécessaire.

COMMANDES ET CARACTÉRISTIQUES

1. Inspectez toujours le véhicule, le treuil, le câble et les commandes pour détecter tout signe de dommage ou pièces nécessitant des réparations avant chaque utilisation. Portez une attention particulière aux 3 premiers pieds (1 mètre) du câble du treuil si le treuil est utilisé (ou a été utilisé) pour soulever une charrue. Remplacez rapidement tout câble usé ou endommagé.
2. Serrez le frein de stationnement du véhicule et/ou le mécanisme de stationnement pour maintenir le véhicule en place pendant le treuillage. Utilisez des cales de roue si nécessaire.
3. Relâchez le tambour du treuil et tirez la longueur de câble requise. Utilisez toujours la sangle du crochet pour manipuler le crochet. Ne retirez jamais la sangle du crochet du crochet.k.

ATTENTION

Maintenez toujours un minimum de cinq (5) tours complets de câble autour du tambour du treuil en tout temps. Le frottement fourni par l'enroulement du câble permet au tambour de tirer sur le câble et de déplacer la charge.

4. Fixez le crochet sur la charge ou utilisez une sangle ou une chaîne de remorquage pour fixer la charge au crochet du treuil. Ne raccrochez jamais le câble du treuil sur lui-même. Cela peut endommager le câble du treuil et entraîner une défaillance du câble.

ATTENTION

N'utilisez jamais une « sangle de récupération » pour le treuillage. Les sangles de récupération sont conçues pour s'étirer et peuvent libérer une énergie excessive pouvant entraîner des BLESSURES GRAVES, voire la MORT si la sangle ou le câble du treuil se casse. Utilisez uniquement des sangles de remorquage en bon état ou des chaînes qui ne s'étirent pas.

5. Réengager le tambour du treuil.

COMMANDES ET CARACTÉRISTIQUES

6. Treuillez lentement dans le mou du câble du treuil jusqu'à ce qu'il disparaisse, puis arrêtez-vous et suivez les instructions d'« amortissement du treuil » pour garantir un fonctionnement en toute sécurité :
 - A. Placez un amortisseur au milieu de la longueur du câble du treuil pour absorber l'énergie qui pourrait être libérée par une défaillance du câble du treuil. Un amortisseur peut être une veste lourde, une bâche ou tout autre objet doux et dense. Un amortisseur peut absorber une grande partie de l'énergie libérée en cas de rupture du câble lors du treuillage. Même une branche d'arbre peut servir d'amortisseur si aucun autre élément n'est disponible pour vous.
 - B. Posez l'amortisseur au-dessus du point médian de la longueur du câble du treuil.
 - C. Lors d'une longue traction, il peut être nécessaire d'arrêter le treuillage afin que l'amortisseur puisse être repositionné à un nouveau point médian. Relâchez toujours la tension sur le câble du treuil avant de repositionner l'amortisseur.
 - D. Dans la mesure du possible, évitez d'être directement aligné avec le câble du treuil. De même, ne permettez jamais à d'autres personnes de se tenir à proximité ou en ligne avec le câble du treuil pendant le fonctionnement du treuil.
7. Arrêtez le treuillage dès que le travail est terminé ou que la charge peut être déplacée sans l'aide du treuil.
8. Détachez le crochet du treuil, puis rembobinez le câble uniformément sur le tambour en suivant les instructions de ce manuel.

COMMANDES ET CARACTÉRISTIQUES

Méthodes de récupération de véhicule

Auto-récupération du véhicule :

- A. Relâchez le tambour du treuil et tirez la longueur de câble requise.
 - B. Dans la mesure du possible, choisissez un point d'ancrage qui aligne le câble du treuil sur l'axe central du véhicule aussi près que possible. Cela facilitera l'enroulement du câble du treuil et réduira la charge sur le guide-câble.
 - C. Fixez le crochet du treuil à un point d'ancrage.
- REMARQUE** : Si vous libérez un véhicule coincé en l'attachant à un arbre, utilisez un élément tel qu'une sangle de remorquage pour éviter d'endommager l'arbre pendant le fonctionnement du treuil. Les câbles et les chaînes tranchants peuvent endommager et même tuer les arbres. Respectez toujours l'environnement.
- D. éengagez le tambour du treuil.
 - E. Treuillez lentement dans tout mou du câble de treuil, puis amortissez-le.
 - F. Passez au rapport le plus bas disponible qui propulsera le véhicule dans le sens du treuillage.
 - G. Appliquez avec précaution la puissance du treuil et l'accélérateur ensemble pour libérer le véhicule.

ATTENTION

L'utilisation simultanée de l'accélérateur du véhicule et du treuillage comporte des risques et est facultative. Placez le véhicule au point mort et utilisez uniquement le treuil si vous n'êtes pas sûr de vos capacités de conduite.

- H. Arrêtez le treuillage dès que le véhicule coincé est capable de se propulser sans l'aide du treuil.
- I. Détachez le crochet du treuil, puis enroulez le câble uniformément sur le tambour en suivant les instructions de ce manuel.

COMMANDES ET CARACTÉRISTIQUES

ATTENTION

Le SEUL moment où un véhicule équipé d'un treuil doit se déplacer et utiliser le treuil est pour l'auto-récupération. Le véhicule équipé d'un treuil ne doit JAMAIS utiliser le mouvement pour « charger par choc » le câble du treuil dans le but de récupérer un deuxième véhicule coincé. Voir la section « Chargement des chocs du treuil » dans ce manuel pour plus d'informations.

Récupération d'un autre véhicule

- A Relâchez le tambour du treuil et tirez la longueur de câble nécessaire.
- B. Fixez le crochet du treuil au véhicule. Dans la mesure du possible, choisissez un point d'ancrage sur le véhicule coincé qui aligne le câble du treuil sur l'axe central du véhicule de treuillage aussi près que possible. Cela facilitera l'enroulement du câble du treuil et réduira la charge sur le guide-câble.

ATTENTION

Ne fixez jamais le crochet du treuil à un élément de suspension, un pare-broussailles, un pare-chocs ou un porte-bagages. Des dommages au véhicule peuvent en résulter. Fixez toujours le crochet à la partie disponible la plus solide du châssis ou de l'attelage du véhicule.

- C. Réengagez le tambour du treuil.
- D. Treuiller lentement tout mou du câble de treuil, puis l'amortir.
- E. Passez au rapport le plus bas disponible sur le véhicule coincé qui le propulsera dans le sens du treuillage.
- F. Appliquez soigneusement la puissance du treuil et la manette des gaz du véhicule coincé ensemble pour le libérer.
- G. Arrêtez le treuillage dès que le véhicule coincé est capable de se propulser sans l'aide du treuil.
- H. Détachez le crochet du treuil, puis rembobinez le câble uniformément sur le tambour en suivant les instructions de ce manuel.

COMMANDES ET CARACTÉRISTIQUES

Entretien du câble de treuil

Inspectez toujours votre câble de treuil avant chaque utilisation pour un câble de treuil usé ou plié. N'utilisez jamais un câble endommagé. Suivez ces directives pour l'inspection et l'utilisation :

- Un câble de treuil composé d'un câble d'acier qui est entortillé, déformé ou plié est endommagé de façon permanente et sévère. Cesser rapidement d'utiliser un câble de treuil dans cet état.
- Un câble de treuil entortillé constitué d'un câble métallique qui a été « redressé », même s'il peut sembler utilisable, a été gravement et définitivement endommagé. Il ne peut plus atteindre sa capacité de charge nominale. Cesser rapidement d'utiliser un câble de treuil dans cet état.
- Un câble de treuil en corde synthétique doit être inspecté pour des signes d'effilochage. Remplacez le câble en cas d'effilochage. Cesser rapidement d'utiliser un câble de treuil dans cet état.
- Remplacez le câble de treuil synthétique si des fibres fusionnées ou fondues sont découvertes. La corde synthétique sera rigide et paraîtra lisse ou émaillée dans la section endommagée. Cesser rapidement d'utiliser un câble de treuil dans cet état.
- Ne remplacez jamais un câble de treuil synthétique par une corde en polymère de qualité grand public. Utilisez uniquement un câble spécialement conçu pour l'utilisation d'un treuil.
- Ne jamais graisser ou huiler un câble de treuil à câble métallique. Cela entraînera le câble à collecter des débris qui raccourciront la durée de vie du câble.
- N'utilisez jamais le treuil avec un crochet ou un loquet endommagé. Remplacez toujours les pièces endommagées avant d'utiliser le treuil.

ATTENTION

Remplacez le câble du treuil et les composants au premier signe de dommage pour éviter des BLESSURES GRAVES ou LA MORT en cas de panne.

COMMANDES ET CARACTÉRISTIQUES

Directives d'enroulement du câble de treuil

Une fois le treuillage terminé, surtout s'il s'agit d'un treuillage en biais, il peut être nécessaire de rembobiner le câble du treuil uniformément sur le tambour. Cela réduit les risques que le câble du treuil se « coince » entre les couches inférieures du câble. Vous aurez besoin d'un assistant pour effectuer cette tâche :

- A. Relâchez le tambour du treuil.
- B. Tirez le câble du treuil qui est enroulé de manière inégale sur le tambour.
- C. Réengagez le tambour du treuil.
- D. Demandez à un assistant de tirer fermement sur la sangle du crochet du câble du treuil pour appliquer environ 100 lb. (45 kg) de tension.
- E. Treuiller lentement le câble pendant que l'assistant déplace l'extrémité du câble d'avant en arrière horizontalement pour le répartir uniformément sur le tambour

« Charge dynamique » du treuil

Votre treuil (si le VTT en est équipé) est conçu et testé pour résister aux charges produites par le moteur du treuil lorsqu'il est utilisé à partir d'un véhicule stationnaire. N'oubliez jamais que le treuil, le câble et les composants NE sont PAS conçus pour les charges dynamiques (chocs au chargement). Suivez les consignes suivantes :

- Ne tentez jamais de faire bouger une charge « par à-coups » avec le treuil. Par exemple, ne reprenez jamais du mou dans le câble de treuil en déplaçant le véhicule de treuillage pour essayer de déplacer un objet. C'est là une pratique dangereuse qui transfère de fortes charges au câble de treuil susceptibles de dépasser la résistance à la rupture du câble et des composants. Même un véhicule qui se déplace lentement peut produire de grandes charges dynamiques dans un câble de treuil et entraîner des dommages.

COMMANDES ET CARACTÉRISTIQUES

- Évitez de mettre le treuil SOUS TENSION et HORS-TENSION de façon répétitive (« saccadée »). Cela équivaut à une charge dynamique et impose une charge supplémentaire aux composants et au câble de treuil, et surchauffe inutilement le moteur et le relais.
- Ne remorquez jamais un véhicule ni tout autre objet avec le treuil. Le remorquage d'un objet à l'aide d'un treuil produit une charge dynamique sur le câble, même en remorquant à faible vitesse. Un remorquage effectué à partir d'un treuil place la force de traction à un point trop élevé sur le véhicule, ce qui risque de déstabiliser le véhicule et de provoquer un accident.
- N'utilisez jamais de sangles de récupération avec votre treuil. Il s'agit d'une forme de charge de choc. Les sangles de récupération sont conçues pour s'étirer et peuvent stocker de l'énergie. L'énergie stockée dans la sangle de récupération est libérée en cas de panne, ce qui rend l'événement encore plus dangereux. De même, n'utilisez jamais de cordons élastiques "bungie" pour le treuillage.
- N'utilisez jamais le treuil pour attacher le véhicule à une remorque ou à une autre unité de transport. Il s'agit d'une forme de charge de choc qui peut endommager les composants du treuil, le câble ou l'unité de transport.

COMMANDES ET CARACTÉRISTIQUES

Capot d'accès avant

Votre véhicule est équipé d'un capot d'accès situé sur le porte-bagages avant.

Pour enlever le panneau :

1. Soulevez et tirez la sangle en caoutchouc qui retient le panneau jusqu'à ce que la sangle se dégage de la languette avant.
2. Soulevez l'avant du panneau, puis faites-le glisser vers le haut et vers vous hors du porte-bagages.

Pour replacer le panneau :

1. Alignez les languettes à l'arrière du capot sur le porte-bagages et placez le capot dans la cavité du porte-bagages.
2. Appuyez sur le centre du capot.
3. Soulevez et poussez la sangle de retenue en caoutchouc sur la languette du capot avant pour la fixer.

COMMANDES ET CARACTÉRISTIQUES

Rangement arrière

Votre véhicule est équipé d'un compartiment de rangement situé à l'arrière du véhicule.

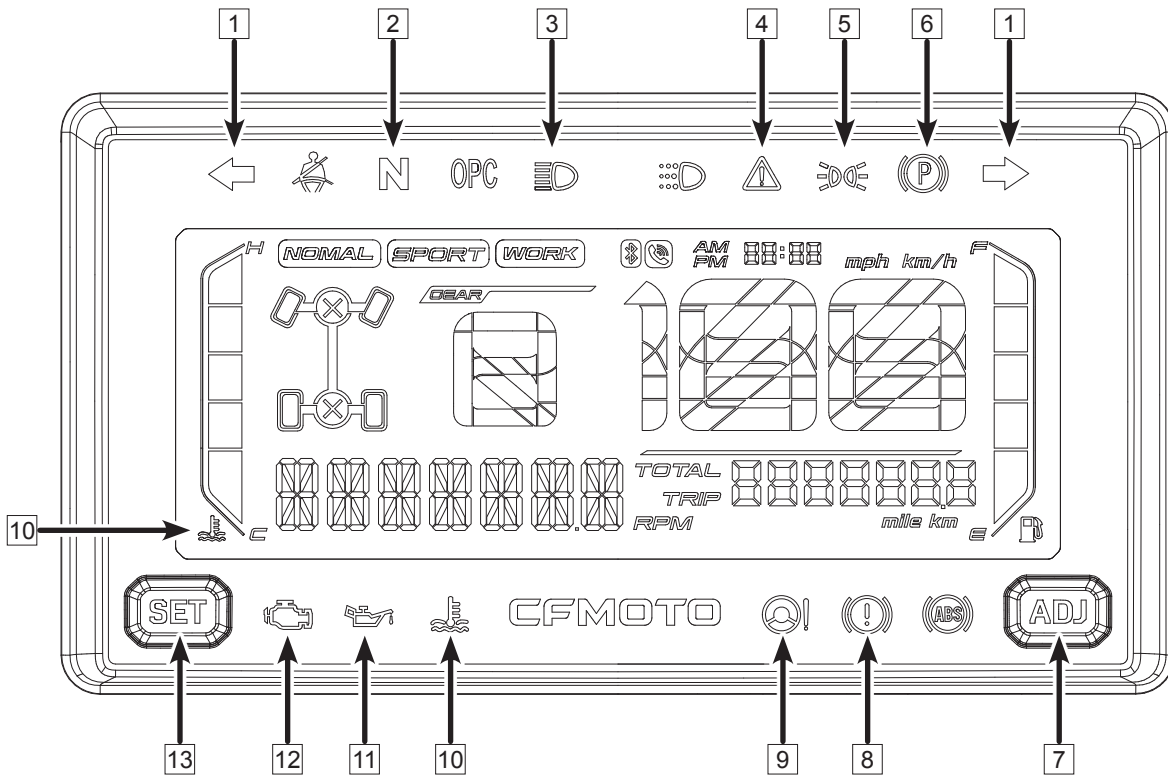
Pour l'ouvrir :

1. Soulevez et tirez la sangle en caoutchouc qui retient le panneau jusqu'à ce que la sangle se dégage de la languette.
2. Tirez le capot vers vous.

Pour le fermer :

1. Fixer le capot sur la cavité.
2. Appuyez sur le centre du capot.
3. Soulevez et tirez la sangle de retenue en caoutchouc sur la languette du capot avant pour la fixer.

COMMANDES ET CARACTÉRISTIQUES



COMMANDES ET CARACTÉRISTIQUES

Indicateurs et avertissements du tableau de bord

1	Lumière tournante	6	Indicateur de frein de stationnement	11	Indicateur de signal de pression d'huile
2	Indicateur neutre	7	ADJ - bouton de réglage du mode	12	Indicateur de défaut EFI
3	Indicateur de feux de route	8	Témoin d'avertissement de panne de frein	13	SEL - bouton de sélection de mode
4	Indicateur de dérogation	9	Indicateur EPS		
5	Feu de position	10	Température du liquide de refroidissement. indicateur d'avertissement		

REMARQUE :

Le clignotant n'est disponible que dans certains pays.

COMMANDES ET CARACTÉRISTIQUES

Indicateurs et avertissements

1. Clignotant (si équipé)

Lorsque l'interrupteur se tourne vers la position du clignotant droit, le clignotant droit s'allume.

Lorsque l'interrupteur passe en position de clignotant gauche, le clignotant gauche s'allume.

2. Indicateur N (point mort)

Ce voyant s'allume lorsque le levier des vitesses est sur la position Neutre (Point mort).

3. Indicateur Feux de route

Ce voyant s'allume lorsque le commutateur des phares est sur la position Feux de route.

4. Indicateur Override

Lorsque le bouton Override (neutralisation) est enfoncé, ce voyant s'allume et la limitation de vitesse en mode 4WD-LOCK est désactivée.

5. Voyant Feux de position

Ce voyant s'allume lorsque le commutateur d'éclairage est sur la position Feux de position.

6. Indicateur Frein de stationnement

Le voyant de cet indicateur s'allume lorsque le frein de stationnement est activé.

7. Bouton ADJ (réglage du mode)

Utilisez ce bouton en même temps que le bouton « SEL » pour régler des fonctions sur le tableau de bord.

COMMANDES ET CARACTÉRISTIQUES

8. Indicateur d'avertissement Défectuosité des frein

Le voyant de cet indicateur s'allume lorsque le niveau de liquide de frein est très bas. Ajoutez du liquide de frein DOT4 et contactez votre concessionnaire. Un niveau trop bas de liquide de frein peut entraîner une infiltration d'air dans le circuit de freinage, ce qui provoquerait une défaillance des freins et causerait un accident grave.

9. Indicateur EPS

Ce voyant s'allume lorsqu'une défaillance se produit dans le système de direction assistée électronique (EPS). Dans ce cas, arrêtez le véhicule et contactez votre concessionnaire pour vérifier la défaillance et l'éliminer. En continuant de conduire lorsque ce voyant est allumé peut entraîner des dommages permanents à l'EPS et accroître l'effort à la commande de direction.

10. Indicateur Température du liquide de refroidissement

Une température trop basse ou trop élevée du liquide de refroidissement est anormale. Faites tourner le moteur au ralenti pour le réchauffer lorsqu'il fait très froid, ou bien gardez le véhicule lorsqu'il fait trop chaud pour empêcher le liquide de refroidissement de bouillir. Maintenez la température du liquide de refroidissement dans une plage normale.

11. Indicateur Pression d'huile

Le voyant de pression d'huile s'allume lorsque la pression d'huile est très basse. Si le voyant de cet indicateur est allumé, arrêtez immédiatement le véhicule de façon sécuritaire et contactez votre concessionnaire pour faire réparer le véhicule et éliminer la défaillance.

COMMANDES ET CARACTÉRISTIQUES

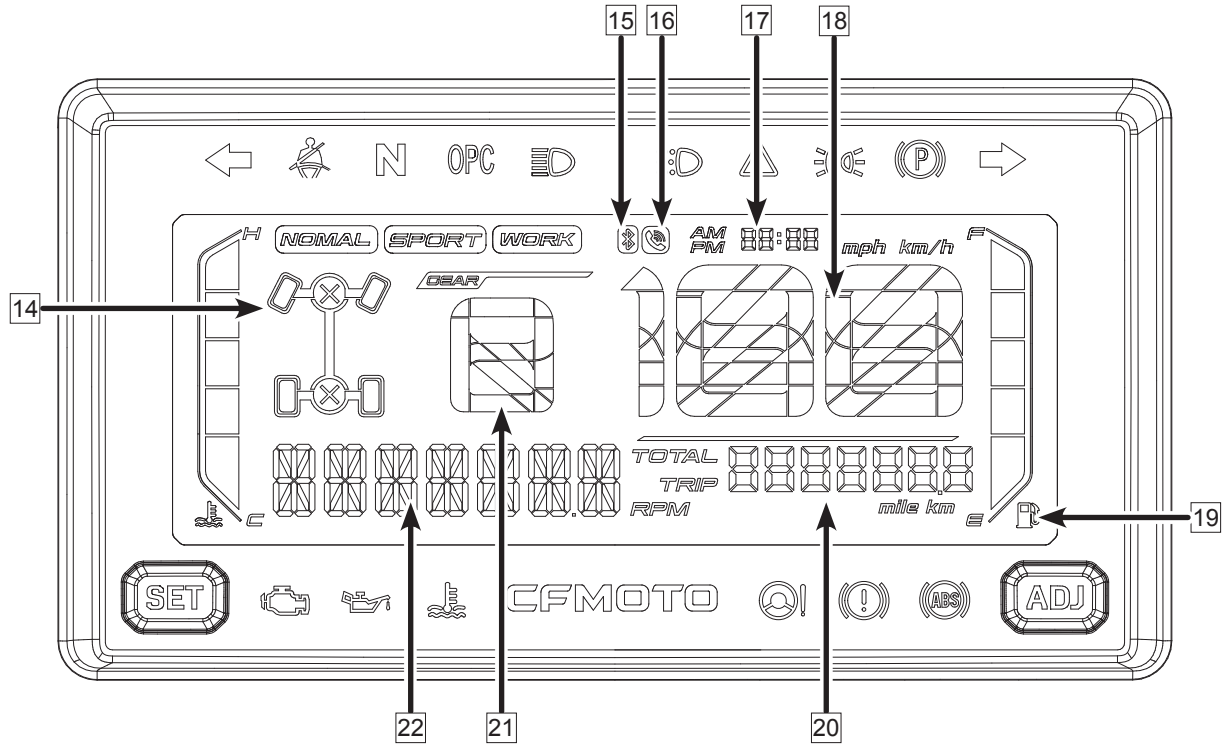
12. Indicateur Défaillance EFI

Ce voyant s'allume lorsqu'une défaillance se produit dans le système d'injection électronique (EFI). Dans ce cas, arrêtez le véhicule et contactez votre concessionnaire pour éliminer la défaillance, car cela pourrait sérieusement endommager le moteur.

13. Bouton SEL (sélection du mode)

Utilisez ce bouton en même temps que le bouton « ADJ » pour régler des fonctions sur le tableau de bord.

COMMANDES ET CARACTÉRISTIQUES



COMMANDES ET CARACTÉRISTIQUES

Voyants, indicateurs et avertissements sur le tableau de bord

14	Mode de conduite	17	Horloge	20	Centre d'information de bord
15	Indicateur Bluetooth	18	Indicateur de vitesse	21	Position du levier des vitesses
16	Indicateur d'appel	19	Indicateur Jauge de carburant	22	Régime du moteur (compte-tours)

14. Mode de conduite

affiche le mode de conduite courant; il existe trois modes de conduite : 2WD, 4WD et 4WD-LOCK. Si le mode n'est pas engagé convenablement, ce voyant clignote.

15. Indicateur Bluetooth

Ce VTT est équipé de la fonction Bluetooth qui permet de connecter et de déconnecter les appels d'un téléphone portable. L'icône Bluetooth ne s'allume pas à moins d'être couplée et connectée à un téléphone. Elle clignotera durant le couplage et la connexion, puis restera allumée une fois le couplage et la connexion réussis. L'icône de téléphone clignotera lors d'un appel entrant, puis restera allumée tant que l'appel est connecté. Elle s'éteindra lorsque l'appel est coupé.

Pressez brièvement le bouton « SEL » pour répondre à l'appel, puis pressez brièvement le bouton « ADJ » pour terminer l'appel.

Pour effectuer le couplage, activez la fonction Bluetooth sur votre téléphone portable, tournez la clé de contact à « ON », puis connectez-vous à la fonction Bluetooth du VTT en utilisant le téléphone.

COMMANDES ET CARACTÉRISTIQUES

16. Indicateur d'appel

Une fois le couplage Bluetooth réussi, cet indicateur clignote lorsqu'il y a un appel entrant et affiche « CALL IN ». Appuyez brièvement sur « SEL » pour accepter l'appel, appuyez brièvement sur « ADJ » pour terminer l'appel.

AVERTISSEMENT

Ne conduisez pas le véhicule en utilisant le Bluetooth. Arrêtez toujours le véhicule avant de répondre à un appel. La distraction au volant peut entraîner un accident entraînant des blessures graves, voire la mort.

17. Horloge

Affiche l'heure actuelle. Cette section du tableau de bord peut être ajustée à l'aide des boutons « ADJ » et « SEL ».

18. Indicateur de vitesse

Affiche la vitesse actuelle du véhicule. La section Indicateur de vitesse peut être basculée pour afficher la vitesse du véhicule en kilomètres par heure (km/h) ou en miles par heure (mph).

COMMANDES ET CARACTÉRISTIQUES

19. Jauge de carburant/indicateur de faible niveau de carburant

Affiche le niveau de carburant dans le réservoir de carburant.

Minimum Fuel Alarm

Cet indicateur affiche le niveau de carburant qui reste dans le réservoir d'essence.

- Si l'alerte de niveau minimum de carburant FUEL 3 survient, le réservoir ne contient plus que 4 L environ de carburant. Lorsque vous ajustez l'alerte de niveau minimum, le tableau de bord montre que le niveau de carburant est égal à au moins une barre.
- Si l'alerte de niveau minimum de carburant FUEL 2 survient, le réservoir ne contient plus que 2,6 L environ de carburant. Lorsque vous ajustez l'alerte de niveau minimum, le tableau de bord montre que le niveau de carburant est égal à au moins une barre.
- Si l'alerte de niveau minimum de carburant FUEL 1 survient, le réservoir ne contient plus que 1,3 L environ de carburant. Lorsque vous ajustez l'alerte de niveau minimum, le tableau de bord montre que le niveau de carburant est égal à au moins une barre.

AVERTISSEMENT

Lorsque vous ajustez l'alerte de niveau minimum de carburant, prenez en considération vos propres habitudes de conduite, l'environnement dans lequel vous roulez, ainsi que d'autres facteurs. Faites preuve de prudence lorsque vous ajustez l'alerte de niveau minimum de carburant.

REMARQUE : L'alarme de faible niveau de carburant peut être réglée lorsque l'affichage du niveau de carburant est de 2 barres ou plus.

COMMANDES ET CARACTÉRISTIQUES

20. Centre d'information de bord

Cet indicateur affiche la distance totale parcourue par le VTT. En pressant le bouton « SEL », vous faites basculer l'affichage vers : « TRIP » (totalisateur partiel), ou vers le nombre total d'heures de fonctionnement du moteur, ou vers l'affichage du code de défaillance du système d'injection électronique (EFI), ou vers la tension de la batterie, ou vers la luminosité du tableau de bord, ou vers le code de défaillance du système EPS (direction assistée électronique).

21. Position du levier des vitesses

Cet indicateur montre la position courante du levier des vitesses.

22. Régime du moteur (compte-tours)

Cet indicateur affiche le régime moteur courant en tr/min.

COMMANDES ET CARACTÉRISTIQUES

Navigation dans le tableau de bord / Paramètres / Ajustements					
Fonction	Affichage	SEL	ADJ	Opération	Résultat
Odomètre	Distance totale	Pression brève		Bascule vers totalisateur partiel (TRIP)	Totalisateur partiel (TRIP)
Totalisateur partiel (TRIP)	Distance du trajet	Pression brève		Bascule à l'heure moteur	Heure moteur
Totalisateur partiel (TRIP)	Distance du trajet		Pression longue	Le trajet se remet à zéro	Réinitialisation de la distance parcourue
Heure moteur	H	Pression brève		Bascule au code d'erreur EFI	Code défaut EFI
Code défaut EFI	Code défaut EFI	Pression brève		Bascule à la tension	Tension
Tension	U	Pression brève		Bascule à la luminosité du tableau de bord	Luminosité du tableau de bord
Luminosité du tableau de bord	Niveau de luminosité	Pression brève		Passage au compteur kilométrique	Odomètre
			Pression brève	Ajuster la luminosité+1	L-I-g-H-5
Niveau minimum d'alarme de carburant	Interface d'alarme de carburant minimale	Pression brève		Bascule au compteur kilométrique	Odomètre
			Pression brève	Décale le niveau minimum d'alarme de carburant	CARBURANT 3 CARBURANT 2 CARBURANT 1
Interface d'accueil	Interface d'accueil	Pression longue		Bascule au réglage de l'heure	Réglage des heures
			Pression brève	Bascule à la luminosité du tableau de bord	Interface d'accueil

COMMANDES ET CARACTÉRISTIQUES

Navigation dans le tableau de bord / Paramètres / Ajustements					
Fonction	Affichage	SEL	ADJ	Opération	Résultat
Changement pour le réglage de l'heure, le format de l'heure et l'unité de vitesse	Réglage des heures	Pression brève		Passage au réglage de l'heure	Réglage des minutes
			Pression brève	Augmenter 1 / appuyer	Réglage des heures
			Pression longue	Incrémental 1-24	Réglage des heures
	Réglage des minutes	Pression brève		Passage à l'unité de temps	Réglage du format d'heure 12/24
			Pression brève	Augmenter 1 / appuyer	Réglage des minutes
			Pression longue	Incrémentiel 00-59	Réglage des minutes
	Réglage du format d'heure 12/24	Pression brève		Passage au réglage de l'unité	Réglage de l'unité de vitesse
			Pression brève	Passage au format horaire	Réglage du format d'heure 12/24
	Réglage de l'unité	Pression brève		Retour à l'interface d'accueil	Interface d'accueil
			Pression brève	Passage à l'unité de vitesse	Réglage de l'unité de vitesse

CONDUITE DU VÉHICULE

Période de rodage du moteur

La période de rodage de votre nouveau VTT est très importante. Le traitement méticuleux d'un moteur neuf dès le début de l'utilisation lui assurera des performances plus efficaces et une plus longue durée de vie. Exécutez les procédures ci-dessous avec le plus grand soin :

1. Choisissez un terrain dégagé avec suffisamment d'espace pour vous familiariser avec l'utilisation et la maniabilité du véhicule.
2. Placez le VTT sur une surface de niveau.
3. Remplissez le réservoir de carburant avec de l'essence.
4. Vérifiez le niveau d'huile du moteur. Ajoutez l'huile recommandée au besoin pour maintenir le niveau entre les repères minimum et maximum de la jauge.
5. Installez-vous dans le véhicule en position de conduite puis démarrez le moteur. Laissez le moteur tourner au ralenti pendant une courte période avant de conduire.
6. Appuyez sur la pédale de frein, choisissez la gamme de vitesse souhaitée, puis relâchez la pédale de frein.
7. Appuyez sur la pédale d'accélérateur. Conduisez lentement au début, en faisant varier le régime sans dépasser la moitié d'ouverture du papillon pendant 10 heures ou 100 miles (160 km). Ensuite, roulez sans dépasser les trois-quarts d'ouverture du papillon pendant les 10 prochaines heures de conduite ou les 100 prochains miles, (selon la première de ces éventualités). Ne roulez pas avec le moteur constamment au ralenti, ni constamment à plein régime.
8. Évitez de tracter ou de transporter des charges lourdes durant la période de rodage.
9. À la fin de la période de rodage, remplacez l'huile et le filtre à huile (20 heures ou 200 miles/320 km).

CONDUITE DU VÉHICULE

Période de rodage des freins

ATTENTION

Pendant la période de rodage, les plaquettes et les disques du système de freinage doivent s'user et peuvent ne pas avoir atteint des performances optimales.

Lorsque les plaquettes et les disques sont neufs, évitez de suivre de trop près les autres véhicules ou évitez les situations nécessitant un arrêt d'urgence, pour éviter un accident.

ATTENTION

Durant la période de rodage :

- Évitez de remorquer ou de transporter des charges.
- Ne conduisez pas constamment à plein régime. Un papillon des gaz trop ouvert durant les 20 premières heures d'utilisation risque de causer des dommages aux pièces du moteur ou de réduire la durée de vie utile du moteur.
- Ne faites pas tourner le moteur avec le papillon des gaz ouvert à plus de la moitié pendant les 10 premières heures (ou 100 miles/160 km) d'utilisation.
- Ne faites pas tourner le moteur avec le papillon des gaz ouvert à plus de 3/4 pendant les 10 à 20 premières heures (ou les prochains 100 miles/160 km) d'utilisation.

CONDUITE DU VÉHICULE

Viscosité recommandée de l'huile moteur

L'utilisation d'huiles autres que celles recommandées peut provoquer de graves dommages au moteur. CFMOTO recommande l'utilisation de 5W-40 pour les moteurs 1 cylindre 4 temps. Changer la viscosité de l'huile moteur à 10W-40 ou 15W-40 en raison d'environnements chauds est acceptable. Référez-vous au tableau ci-dessous pour le choix de la température ambiante et de la viscosité.

Oil Viscosity				15W-40				
				10W-40				
				5W-40				
F°	-22	-4	14	32	50	68	86	104
C°	-30	-20	-10	0	10	20	30	40

CONDUITE DU VÉHICULE

Vérification pré-randonnée

Avant chaque utilisation du VTT, la meilleure pratique est de vérifier quotidiennement le véhicule selon la « Liste d'inspection pré-randonnée » décrite dans la section Entretien de ce Manuel.

AVERTISSEMENT

Ne pas inspecter de façon appropriée le véhicule avant chaque utilisation accroît la possibilité de causer de graves dommages au véhicule de même que les risques d'accident, de blessures graves, voire mortelles. Inspectez toujours le véhicule avant chaque utilisation pour vous assurer de la sécurité de son fonctionnement.

CONDUITE DU VÉHICULE

Démarrage du moteur

AVERTISSEMENT

Les gaz d'échappement contiennent du monoxyde de carbone toxique et peuvent entraîner une perte de conscience, avec pour résultat de graves blessures ou la mort. Ne faites jamais tourner le moteur dans des lieux clos.

ATTENTION

L'utilisation du véhicule immédiatement après le démarrage pourrait endommager le moteur. Laissez le moteur se réchauffer pendant quelques minutes avant de l'utiliser.

Si le véhicule ne peut pas être démarré immédiatement, n'actionnez pas le système de démarrage de façon continue. Utiliser le circuit d'allumage à répétition peut brûler le moteur de démarrage.

Démarrage d'un moteur froid

1. Vérifiez que le sélecteur de vitesse est placé en position Parking (P) ou Neutre (N).
2. Appliquez la pédale de frein.
3. Tournez l'interrupteur à clé principal en position « ON ». Le véhicule est sous tension.
4. Attendez que l'auto-inspection de l'instrument soit terminée, puis appuyez sur l'interrupteur de démarrage du moteur. Le moteur démarre.
5. Une fois le moteur démarré, laissez-le chauffer pendant une courte période avant de faire fonctionner le véhicule.

CONDUITE DU VÉHICULE

REMARQUE :

N'actionnez pas le système de démarrage pendant plus de 10 secondes à chaque fois. Si le moteur ne démarre pas, relâchez le contacteur de démarrage, patientez quelques secondes, puis recommencez. Chaque tentative doit être aussi brève que possible afin de ne pas décharger la batterie.

ATTENTION

Utiliser le VTT juste après le démarrage pourrait endommager le moteur. Laissez le moteur se réchauffer pendant quelques instants avant d'utiliser le véhicule.

REMARQUE :

Le moteur peut être démarré dans n'importe quelle position de la boîte de vitesses, à condition que le frein soit appliqué. Toutefois, la meilleure pratique est de garder le levier des vitesses en position « N » ou « P » avant de démarrer le moteur. Si le voyant du mode Neutre sur le tableau de bord ne s'allume pas lorsque le levier des vitesses est en position « N », demandez à votre concessionnaire de faire vérifier le circuit électrique du voyant ou de faire ajuster le système de changement des vitesses.

ATTENTION

Une utilisation excessive de l'accélérateur alors que le VTT est en mode de limitation de vitesse peut entraîner une accumulation d'essence dans l'échappement et provoquer des pétarades et/ou des dommages au moteur.

CONDUITE DU VÉHICULE

Fonctionnement du levier de vitesse

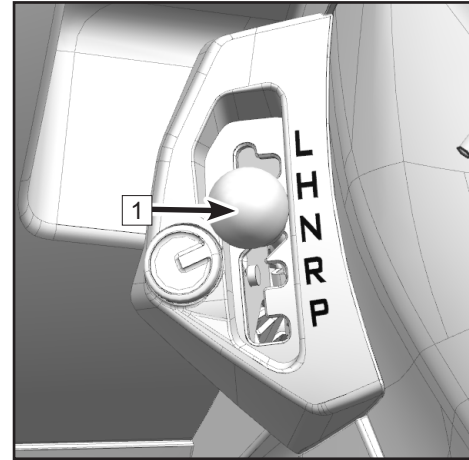
Changement de rapport de transmission

⚠ ATTENTION

Afin d'éviter d'endommager la transmission, relâchez complètement la pédale d'accélérateur, arrêtez le véhicule et enfoncez la pédale de frein avant de changer de rapport.

REMARQUE :

La gamme de vitesse basse est le meilleur choix pour toute conduite en marche avant autre que la conduite à vitesse élevée durant une période prolongée.



1 Levier de vitesses

CONDUITE DU VÉHICULE

Dégagement du levier de la position « P »

1. Vérifiez que l'accélérateur est complètement relâché.
2. Enfoncez la pédale de frein.
3. Passez à la vitesse souhaitée en déplaçant le levier des vitesses le long de la fente des vitesses.

Passage du point mort à la gamme de vitesse (de « N » à « H »)

1. Vérifiez que l'accélérateur est complètement relâché et que le véhicule est arrêté.
2. Enfoncez la pédale de frein.
3. Passez à la position « H » en déplaçant le levier le long de la fente des vitesses.

Passage de « H » à « L » (gamme de vitesse basse)

1. Vérifiez que l'accélérateur est complètement relâché et que le véhicule est arrêté.
2. Enfoncez la pédale de frein.
3. Passez à la position « L » en déplaçant le levier le long de la fente des vitesses.

Passage de « L » à « H »

1. Vérifiez que l'accélérateur est complètement relâché et que le véhicule est arrêté.
2. Enfoncez la pédale de frein.
3. Passez à la position « H » en déplaçant le levier le long de la fente des vitesses.

CONDUITE DU VÉHICULE

Passage à la Marche arrière (R)

1. Vérifiez que l'accélérateur est complètement relâché et que le véhicule est arrêté.
2. Enfoncez la pédale de frein.
3. Passez sur « R » en déplaçant le levier le long de la fente des vitesses.
4. Vérifiez l'absence d'obstacles ou de personnes, puis relâchez la pédale de frein.
5. Enfoncez graduellement la pédale d'accélérateur et continuez de regarder en arrière tout en vous déplaçant.

 AVERTISSEMENT
--

Avant de passer en Marche arrière, vérifiez l'absence d'obstacles ou de personnes, et assurez-vous que l'espace ne présente aucun danger derrière vous. Une fois ces vérifications faites, reculez lentement.

Passage de la marche arrière à la position « P » (Stationnement)

1. Vérifiez que l'accélérateur est complètement relâché et que le véhicule est arrêté.
2. Enfoncez la pédale de frein.
3. Passez à la position « P » en déplaçant le levier le long de la fente des vitesses.

CONDUITE DU VÉHICULE

REMARQUE :

Le levier des vitesses ne doit passer en position « R » que lorsque vous enfoncez la pédale de frein.

Les voyants de position du levier des vitesses doivent correspondre à la position réelle du rapport choisi. Si le voyant ne s'allume pas, demandez à votre concessionnaire de faire vérifier le circuit électrique du véhicule ou de faire ajuster le système de changement de vitesse.

Compte tenu du mécanisme de synchronisation de la transmission, il est possible que le voyant ne s'allume que lorsque le VTT se met en mouvement.

N'utilisez pas la gamme de vitesse élevée pour une conduite continue à vitesse basse ou pour un remorquage, car cela pourrait entraîner une surchauffe du système d'embrayage et endommager des pièces.

CONDUITE DU VÉHICULE

Transport et remorquage de chargements

Votre VTT est équipé de porte-bagages à l'avant et à l'arrière, et d'un réceptacle d'attelage pour le remorquage. Suivez ces consignes pour le transport et le remorquage de chargements :

 AVERTISSEMENT
--

Surcharger le véhicule, transporter ou remorquer un chargement de façon inappropriée, peut modifier la maniabilité du VTT et entraîner une perte de contrôle ou un freinage instable
--

Prenez les précautions suivantes pour le transport et le remorquage de chargements :

- Afin d'éviter l'usure de l'embrayage et les problèmes de courroie, utilisez toujours la vitesse basse «L» lorsque vous remorquez un chargement.
- Réduisez votre vitesse lors du transport ou du remorquage d'un chargement.
- Ne dépassez jamais la capacité de charge indiquée pour ce véhicule.
- Tous les chargements doivent être sécurisés avant la conduite. Les chargements non sécurisés peuvent se déplacer et créer des conditions de conduite instables, ce qui pourrait entraîner une perte de contrôle du VTT.
- Lorsque vous conduisez sur un terrain en pente ou accidenté, réduisez la vitesse et le chargement afin de maintenir des conditions de conduite stables.
- Soyez extrêmement prudent lorsque vous freinez votre VTT s'il transporte un chargement. Évitez les terrains ou les situations qui pourraient nécessiter un recul en descente.
- Faites preuve d'une extrême prudence et sécurisez le chargement lorsque vous manipulez des charges excentrées qui ne peuvent pas être cadrées

CONDUITE DU VÉHICULE

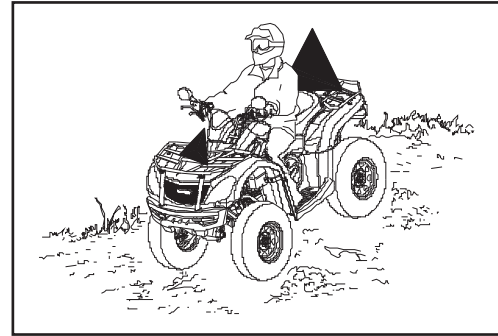
- Le poids du chargement réparti sur les porte-bagages avant et arrière doit être aussi bas et aussi proche de l'avant que possible. Le transport d'un chargement trop haut élève le centre de gravité et crée des conditions de conduite instables. Réduisez le poids du chargement lorsque le centre de gravité de la cargaison est élevé.
- Lorsque vous conduisez avec un chargement excédant la largeur des porte-bagages, la stabilité et la maniabilité peuvent être dangereusement modifiées et provoquer un retournement du véhicule.
- Transporter un chargement uniquement sur le porte-bagages avant ou sur le porte-bagages arrière peut entraîner un déséquilibre qui augmente les risques de retournement du véhicule. Équilibrez les charges proportionnellement, mais ne dépassez pas la capacité de charge indiquée.
- N'obstruez pas les phares lorsque vous transportez un chargement sur le porte-bagages avant.
- Attachez toujours la remorque au point d'attelage en utilisant la quincaillerie conçue pour le remorquage. Ne dépassez jamais le poids de la flèche d'attelage de remorque recommandé.
- Il n'est pas recommandé d'utiliser des chaînes, des sangles, des cordes ou d'autres matériaux pour remorquer des objets, car ces articles pourraient se coincer dans les roues arrière, entraînant des dommages au véhicule ou des blessures.
- Pendant le remorquage, le VTT ne doit jamais dépasser 16 km/h (10 mi/h) pour remorquer un chargement sur une surface plane. La vitesse du VTT ne doit jamais dépasser 8 km/h (5 mi/h) lors du remorquage de chargements sur un terrain accidenté, dans les virages ou en montant ou en descendant une pente.

CONDUITE DU VÉHICULE

Répartition d'une charge

Votre véhicule a été conçu pour transporter ou remorquer un chargement d'une certaine capacité :

- Veuillez toujours lire et comprendre les avertissements de répartition de la charge indiqués sur les étiquettes d'avertissement.
- Ne dépassez jamais les poids précisés.
- Le poids du chargement doit être situé aussi bas que possible.
- Le chargement doit être installé sur les porte-bagages aussi proche de l'avant que possible.
- Lorsque vous conduisez sur un terrain en pente ou accidenté avec des chargements ou une remorque, réduisez la vitesse et le chargement afin de maintenir des conditions de conduite stables.



CONDUITE DU VÉHICULE

Pratique de conduite en toute sécurité

Responsabilité du conducteur

En tant que conducteur de ce VTT, votre bon sens, votre jugement et vos aptitudes sont les seuls facteurs qui aident à éviter des blessures à vous-même et à d'autres autour de vous, et/ou des dégâts au véhicule ou à l'environnement.

Conduite récréative, en groupe et sur de longues distances

Un des avantages de ce VTT est qu'il peut vous emmener, hors route, loin de la plupart des localités. Restez éloigné des zones destinées à d'autres types d'usages hors-route, à moins qu'elles ne soient explicitement autorisées. Ces zones incluent les pistes pour motoneiges, les sentiers équestres, les pistes de ski de fond, les pistes de vélo de montagne, etc. inscrivez-vous à un club local de VTT. Un club peut vous fournir des cartes et des conseils, ou vous informer à propos des zones permises pour la conduite de VTT.

Maintenez toujours une distance de sécurité entre vous et d'autres conducteurs en avant de vous et derrière vous lorsque vous conduisez en groupe. Ne conduisez jamais de façon imprudente ou en faisant des manœuvres imprévues à proximité d'autres véhicules. Restez sur les pistes balisées et dans les zones prévues pour les VTT, et découragez les personnes qui conduisent dans des endroits non autorisés.

Environnement

Les activités récréatives hors route sont un privilège. Maintenez votre privilège en respectant l'environnement et les droits des autres de goûter au plaisir cet environnement. La chasse de la faune est illégale. Les animaux de la faune peuvent mourir d'épuisement s'ils sont poursuivis ou chassés par un véhicule motorisé. N'endommagez jamais délibérément le terrain, à moins que l'endroit que vous utilisez ne soit spécialement aménagé pour ce type d'activité. Observez la règle d'or : « Tout ce que vous apportez doit repartir avec vous ». Ne laissez pas de déchets derrière vous.

CONDUITE DU VÉHICULE

Pratique

Les méthodes de conduite décrites dans ce manuel doivent être pratiquées de nombreuses fois à basse vitesse dans une vaste zone sans obstacles. Si vous utilisez une technique de conduite inappropriée, votre ATV pourrait continuer de rouler en ligne droite. Si le VTT ne vire pas, arrêtez-vous et pratiquez la technique encore et encore. Si le terrain sur lequel vous conduisez est glissant ou meuble, la pratique courante est de déplacer votre poids vers les roues avant en avançant sur le siège. Une fois que vous avez maîtrisé les techniques appropriées, vous devriez pouvoir exécuter les manœuvres à des vitesses plus élevées ou dans des virages plus serrés.

Les méthodes de conduite inappropriées telles que des changements brusques de l'accélération, un freinage excessif, des mouvements de corps irréguliers, ou une trop grande vitesse dans des virages serrés, peuvent entraîner un retournement du VTT. Si le VTT commence à basculer vers l'extérieur lorsque vous négociez un virage, penchez-vous davantage vers l'intérieur. Il peut également s'avérer nécessaire de relâcher graduellement l'accélérateur et de se diriger vers l'extérieur du virage pour éviter le retournement.

N'oubliez pas : évitez des vitesses élevées jusqu'à ce que vous soyez vraiment habitué à la maniabilité de votre VTT.

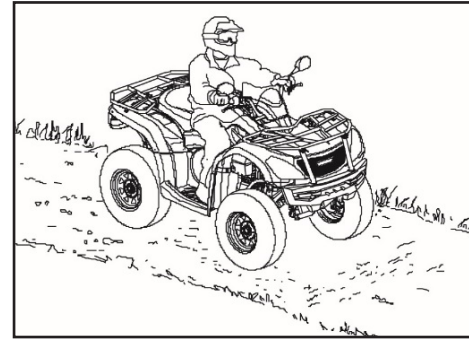
REMARQUE

La basse vitesse est préférable pour toute conduite en marche avant, tant qu'il ne s'agit pas de trajets prolongés à grande vitesse. N'utilisez pas la gamme de vitesse élevée pour des trajets continus à basse vitesse ou pour un remorquage, car ceci pourrait entraîner une surchauffe du système d'embrayage et, par suite, endommager divers composants.

CONDUITE DU VÉHICULE

Technique de conduite

1. Asseyez-vous bien droit avec les deux pieds sur les repose-pieds et les deux mains sur le guidon.
2. Démarrez le moteur et laissez-le se chauffer. Appliquez la pédale de frein, puis placez le levier des vitesses sur la basse vitesse.
3. Vérifiez autour de vous et déterminez la voie à emprunter.
4. Relâchez la pédale de frein.
5. Appuyez lentement sur l'accélérateur avec votre pouce droit et commencez à conduire. La vitesse du véhicule dépend de la quantité d'ouverture du papillon des gaz.
6. Conduisez lentement. Pratiquez la manœuvre tout en utilisant l'accélérateur et les freins sur une surface horizontale.



CONDUITE DU VÉHICULE

Pratique des virages

Pour faire un virage, orientez-vous dans la direction du virage et penchez la partie supérieure de votre corps vers l'intérieur du virage, tout en appuyant votre poids sur le repose-pieds externe. Cette technique modifie l'équilibre de la traction entre les roues, permettant d'effectuer le virage en douceur. La même technique de penchement doit être utilisée pour les virages en marche arrière.

REMARQUE :

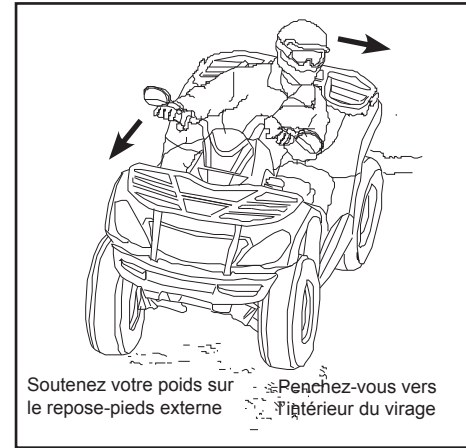
Pratiquez les virages à des vitesses réduites avant de les essayer à de plus grandes vitesses.

AVERTISSEMENT

Des virages effectués à des angles aigus ou à des vitesses excessives peut entraîner un retournement du véhicule et causer de graves blessures.

Évitez les virages à angles pointus.

Ne faites jamais des virages à des vitesses élevées.



CONDUITE DU VÉHICULE

Dynamique des virages en VTT

Pour réaliser une traction maximum lorsque vous êtes en mode 2WD ou 4WD, les deux roues arrière se comportent comme un seul essieu et tournent ensemble à la même vitesse. En outre, lorsque vous êtes en mode 4WD-LOCK, les roues avant tourneront également ensemble à la même vitesse. Par conséquent, à moins de permettre à la roue à l'intérieur du virage de déraper ou de perdre un peu de traction, le VTT résistera au virage. La technique spéciale de virage décrite dans ce manuel doit être utilisée pour permettre au VTT d'exécuter des virages rapidement et facilement. Il est crucial de maîtriser cette technique d'abord à basse vitesse.

Comment aborder les virages

Lorsque vous approchez d'un virage, ralentissez et commencez à orienter le guidon vers la direction souhaitée. En même temps, appuyez-vous sur le plancher du VTT vers l'extérieur du virage (à l'opposé de la direction souhaitée) et penchez la partie supérieure de votre corps vers l'intérieur du virage. Utilisez l'accélérateur pour maintenir une vitesse uniforme durant tout le virage. Cette manœuvre aidera la roue sur l'intérieur du virage à déraper légèrement, permettant au VTT de négocier le virage de façon appropriée.

CONDUITE DU VÉHICULE

Conduite en marche arrière

Pour conduire en marche arrière :

1. Assurez-vous que l'accélérateur est totalement relâché et le véhicule complètement arrêté.
2. Appliquez la pédale de frein, puis placez le levier des vitesses sur « R » (marche arrière).
3. Vérifiez qu'il n'y a ni obstacles ni personnes derrière le véhicule.
4. Lorsque vous pouvez y aller de façon sécuritaire, relâcher les freins, accélérez lentement avec votre pouce droit, et faites marche arrière doucement. La vitesse du véhicule dépend de la quantité d'ouverture du papillon des gaz.



CONDUITE DU VÉHICULE

REMARQUE :

Votre VTT est équipé d'un limiteur de vitesse en marche arrière. Le bouton « Override » (neutralisation) ne peut pas être utilisé. Ne faites pas marche arrière avec le papillon des gaz totalement ouvert. Ouvrez le papillon des gaz juste assez pour maintenir la vitesse voulue.

Prenez les précautions suivantes lorsque vous faites marche arrière :

- Évitez toujours de faire marche arrière sur des pentes descendantes.
- Faites marche arrière lentement.
- Lorsque vous êtes en marche arrière, appliquez les freins légèrement pour vous arrêter.
- Évitez de faire des virages serrés en marche arrière.
- N'accélérez jamais soudainement lorsque vous faites marche arrière.

 AVERTISSEMENT
--

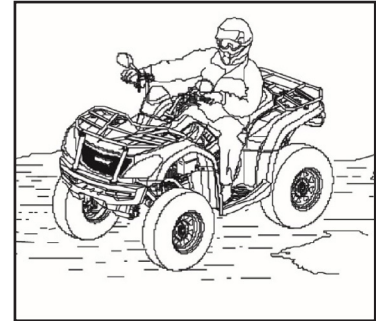
Ne pas faire preuve de prudence lorsque vous faites marche arrière peut entraîner des blessures graves voire mortelles.

CONDUITE DU VÉHICULE

Conduite sur des surfaces glissantes

Lorsque vous conduisez sur des surfaces glissantes telles que sentiers mouillés, gravier meuble, sable, ou par temps de gel, prenez les précautions suivantes :

- Ralentissez quand vous abordez des zones glissantes.
- Restez très vigilant et observez le terrain devant vous tout en conduisant. Évitez les virages rapides et serrés qui peuvent entraîner des dérapages.
- Corrigez un dérapage en tournant le guidon dans la direction du dérapage et en déplaçant le poids de votre corps vers l'avant.
- Conduire avec le mode 4WD engagé peut aider à maîtriser le véhicule dans les zones glissantes.



ATTENTION

Les éléments de transmission peuvent subir de graves dommages si le mode 4WD est engagé alors que les roues tournent. Engagez toujours le mode 4WD lorsque les roues sont immobiles.

AVERTISSEMENT

Négliger de prendre les précautions appropriées durant la conduite sur des surfaces glissantes peut entraîner une perte de traction des pneus et une perte de contrôle du VTT, un accident et des blessures graves, voire mortelles. N'appliquez jamais les freins pendant un dérapage. Ne conduisez pas sur des surfaces excessivement glissantes. Réduisez toujours la vitesse et faites preuve de prudence supplémentaire.

CONDUITE DU VÉHICULE

Conduite sur un terrain accidenté

Lorsque vous conduisez sur des surfaces inégales ou accidentées comme des pistes hors-route jonchées de gros cailloux ou d'autres obstacles, prenez les précautions suivantes :

- Ralentissez quand vous abordez des terrains accidentés.
- Restez très vigilant et observez le terrain devant vous tout en conduisant. Évitez les virages rapides et serrés qui peuvent entraîner une perte de contrôle du VTT.
- Déplacez le poids de votre corps de façon à contrebalancer le poids du véhicule s'il s'incline d'un côté.
- Conduire avec le mode 4WD ou 4WD-LOCK engagé peut aider à garder le contrôle du véhicule sur un terrain accidenté.

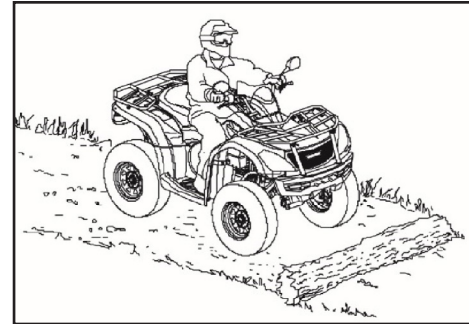


CONDUITE DU VÉHICULE

Franchissement d'obstacles

Restez très vigilant ! Apprenez à évaluer le terrain devant vous tout en conduisant. Soyez constamment alerte pour détecter d'éventuels dangers tels que des troncs d'arbre abattus, des roches et des branches basses.

N'essayez jamais de franchir un obstacle plus haut que la garde au sol du véhicule.



AVERTISSEMENT

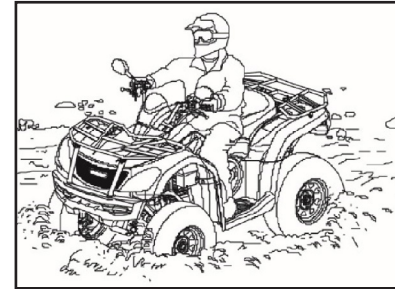
Des blessures graves, voire mortelles peuvent survenir si votre véhicule entre en contact avec des obstacles. Roulez avec prudence sur les terrains auxquels vous n'êtes pas habitué.

CONDUITE DU VÉHICULE

Conduite en eau peu profonde

Votre VTT peut rouler dans l'eau, mais la profondeur de l'eau ne doit pas dépasser la hauteur maximum recommandée : le niveau du bas des repose-pieds. Prenez les précautions suivantes en conduisant dans l'eau :

- Déterminez la profondeur et le débit de l'eau avant de la traverser.
- Choisissez l'endroit de la traversée là où les deux berges présentent des pentes progressives.
- Roulez lentement en évitant les roches et autres obstacles si possible.
- À la sortie de l'eau, séchez les freins en appliquant de légères pressions sur la pédale jusqu'à ce que l'efficacité du freinage soit normale.



AVERTISSEMENT

Évitez de conduire dans de l'eau profonde ou de l'eau à débit rapide. S'il vous est impossible d'éviter la traversée d'un cours d'eau dont la profondeur dépasse le maximum recommandé, roulez lentement, équilibrez avec précaution le poids du véhicule, évitez les manœuvres brusques et maintenez une conduite lente et régulière. Ne faites pas de virages ou d'arrêts brusques, et évitez de modifier le régime du moteur de façon soudaine.

CONDUITE DU VÉHICULE

Séchage du système de TVC après immersion dans l'eau

Si de l'eau s'est infiltrée dans le boîtier de la TVC, la courroie d'entraînement va probablement glisser et provoquer une perte de performance. Pour expulser l'eau et sécher le boîtier de la TVC :

- Vidangez le boîtier de la TVC.
- Placez le levier des vitesses sur la position « N » et faites tourner le moteur à régime élevé pendant plusieurs minutes afin de sécher les composants de la TVC.
- Relâchez l'accélérateur et passez à la basse vitesse, puis vérifiez la performance du véhicule.
- Répétez selon les besoins jusqu'à être sûr que toute l'eau a été expulsée. Contactez votre concessionnaire si la performance du véhicule n'est toujours pas satisfaisante.

REMARQUE :

Si le véhicule a traversé de l'eau, il est très important de le faire vérifier et réparer conformément au calendrier d'entretien. Les éléments suivants exigent une attention particulière : l'huile moteur, les carters d'engrenage avant et arrière, et les points de graissage. Si votre VTT a été immergé et qu'il est impossible de le conduire chez votre concessionnaire avant de le faire démarrer, suivez les étapes décrites dans ce manuel pour extraire l'eau de la boîte à vent et du moteur.

ATTENTION

Le moteur peut subir de graves dommages si le véhicule n'est pas minutieusement vérifié après une conduite dans l'eau. Si de l'eau s'est infiltrée dans le boîtier de la TVC, suivez la procédure décrite dans ce manuel pour sécher le système d'embrayage de la TVC. Faites rapidement réparer le véhicule par votre concessionnaire s'il est immergé ou s'il cale dans de l'eau plus profonde que le niveau du repose-pied. Il est important de contacter votre concessionnaire pour un entretien avant de démarrer le moteur, car il se pourrait que de l'eau se soit infiltrée dans la boîte à vent et le moteur.

CONDUITE DU VÉHICULE

Gravir les pentes

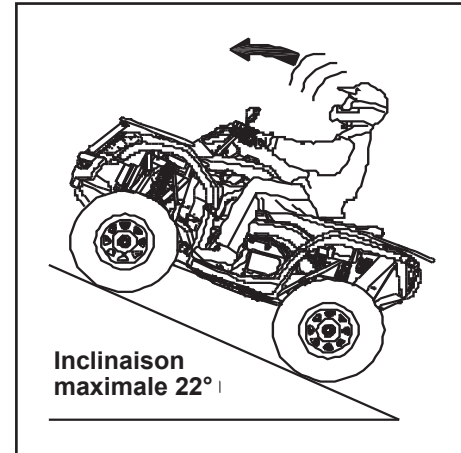
Lorsque vous devez gravir une pente, prenez les précautions suivantes :

- Conduisez toujours en ligne droite pour gravir une pente.
- Évitez les pentes qui dépassent 22° d'inclinaison.
- Gardez les deux pieds sur les repose-pieds.
- Déplacez le poids de votre corps vers l'avant.
- Maintenez la même vitesse et la même ouverture du papillon des gaz.
- Restez vigilant et soyez prêt à prendre des mesures d'urgence telles que quitter rapidement le véhicule.

Si le VTT cesse d'avancer lorsque vous montez une pente :

Maintenez le poids de votre corps vers l'avant.

Appliquez le frein avant. Une fois le VTT complètement arrêté, appliquez la pédale de frein et mettez le levier des vitesses sur la position « P ».



CONDUITE DU VÉHICULE

Si le VTT commence à rouler à reculons :

- Maintenez le poids de votre corps côté amont du VTT. N'accélérez jamais. N'appliquez jamais la pédale de frein lorsque le VTT roule à reculons.
- Appliquez le frein avant. Une fois le VTT complètement immobilisé, appliquez la pédale de frein puis mettez le levier des vitesses sur la position de stationnement « P ».
- Quittez le VTT du côté amont, ou de l'un ou l'autre côté si le VTT est orienté directement vers le haut de la pente. Faites faire un demi-tour au VTT puis reprenez le volant en suivant la procédure décrite dans ce manuel.

AVERTISSEMENT

Le freinage et la maniabilité sont considérablement perturbés lorsqu'on conduit sur des terrains vallonnés ou accidentés. De mauvaises techniques utilisées pour gravir des pentes peuvent provoquer une perte de contrôle ou un retournement du véhicule, et entraîner des blessures graves, voire mortelles.

Évitez de gravir des pentes escarpées (22° d'inclinaison maximale).

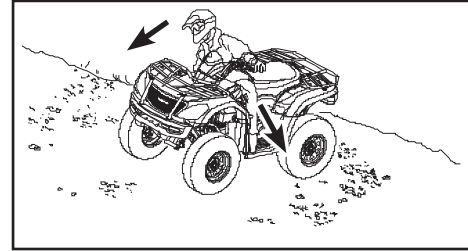
Faites preuve d'une extrême prudence lorsque vous conduisez sur des pentes, et respectez les techniques appropriées décrites dans le Manuel du propriétaire.

CONDUITE DU VÉHICULE

Conduite à flanc de pente

AVERTISSEMENT

Conduire et faire des virages en travers de pentes en utilisant des techniques inappropriées peut entraîner une perte de contrôle ou un retournement du véhicule, et provoquer des blessures graves voire mortelles. Évitez la conduite à flanc de pente autant que possible. Suivez les procédures appropriées décrites dans ce Manuel du propriétaire.



La conduite à flanc de pente (nommée parfois « Sidehilling ») peut être dangereuse et doit être évitée autant que possible. Si vous faites face à une situation où le « Sidehilling » est inévitable, prenez les précautions suivantes : Slow down.

- Ralentissez.
- Penchez-vous vers la pente, déplacez la partie supérieure de votre corps vers la pente tout en gardant vos pieds sur les repose-pieds.
- Dirigez-vous légèrement vers la pente afin de maintenir la direction de véhicule.

ATTENTION

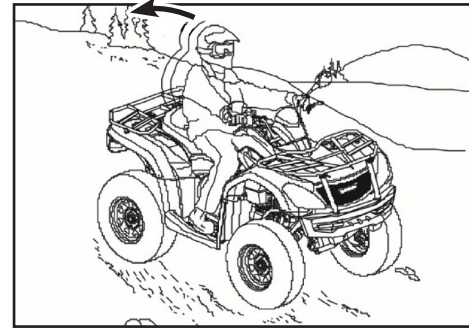
Si le véhicule commence à s'incliner, tournez rapidement les roues avant vers le bas de la pente si possible, ou descendez immédiatement du côté ascendant de la pente.

CONDUITE DU VÉHICULE

Descendre une pente

Lorsque vous devez descendre une pente, prenez les précautions suivantes :

- Ne conduisez jamais sur des pentes dont l'inclinaison dépasse 22° ou sur des pentes trop raides pour vos compétences.
- Ralentissez.
- Déplacez le poids de votre corps vers l'arrière du véhicule.
- Roulez toujours en direction de la descente de la pente.
- Utilisez la fonction de freinage moteur et appliquez légèrement la pédale de frein pour faciliter le ralentissement. Familiarisez-vous avec le fonctionnement de ces fonctions de freinage lors des descentes.
- Conduire avec le mode 4WD ou 4WD-LOCK engagé peut aider à garder le contrôle du véhicule.



Inclinaison maximale 22°

AVERTISSEMENT

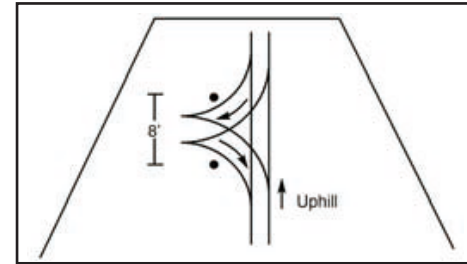
Une vitesse excessive sur une pente peut entraîner une perte de contrôle et provoquer des blessures graves voire mortelles. Réduisez toujours la vitesse lorsque vous descendez une pente.

CONDUITE DU VÉHICULE

Demi-tour sur une pente

Si vous êtes bloqué lorsque vous gravissez une pente, une manœuvre qui s'avère utile lorsqu'il est nécessaire de faire un demi-tour est le demi-tour en K :

1. Relâchez l'accélérateur, puis appliquez le frein à main et la pédale de frein tout en maintenant le poids de votre corps vers l'amont de la pente.
2. Mettez le levier des vitesses sur la position L (basse vitesse). Coupez le moteur.
3. En gardant le frein à main actionné, descendez du véhicule du côté droit si le véhicule est orienté vers le haut de la pente.



REMARQUE :

Descendez toujours du côté amont de la pente lorsque le véhicule est orienté dans une direction autre que vers le haut.

4. En gardant le frein à main actionné, déplacez-vous vers le haut de la pente (à l'avant du véhicule), et tirez la poignée droite du guidon pour tourner la direction totalement vers la gauche (le frein avant sera à présent plus proche de vous).

CONDUITE DU VÉHICULE

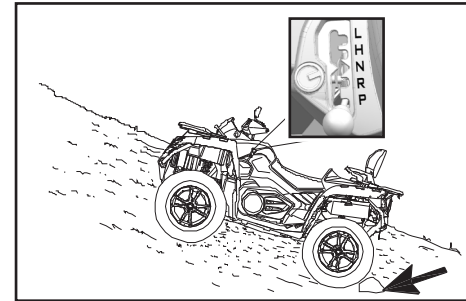
5. Relâchez lentement le levier du frein de main et utilisez-le pour contrôler la descente du VTT qui va alors descendre à votre droite (vu de l'avant du VTT) jusqu'à ce qu'il s'oriente en travers de la pente ou légèrement vers le bas. Le poids roulant du VTT est neutralisé, et donc vous pouvez maintenant regagner le siège du véhicule.
6. Remontez dans le véhicule du côté amont de la pente et mettez le levier des vitesses sur la position « P » (stationnement) tout en maintenant le poids de votre corps vers le haut de la pente. Gardez le frein à main ou la pédale de frein appliqué en tout temps si possible.
7. Redémarrez le moteur. Appuyez sur la pédale de frein et mettez le levier des vitesses sur la position « L » (basse vitesse).
8. Relâchez les freins et descendez lentement tout en contrôlant la vitesse à l'aide des freins, jusqu'à ce que le véhicule arrive sur une surface de niveau.

CONDUITE DU VÉHICULE

Stationnement sur une pente

Évitez si possible de garer votre VTT sur une pente. Si cela est inévitable, prenez les précautions suivantes :

- Coupez le moteur.
- Mettez le levier des vitesses sur la position « P » (stationnement).
- Bloquez toujours les roues arrière du côté descendant de la pente. Reportez-vous à l'illustration à droite.



ATTENTION

En cas de stationnement sur une pente, les forces de rotation de la transmission peuvent rendre difficile le changement de vitesse hors du stationnement. Faire basculer le véhicule vers l'avant ou vers l'arrière pendant le changement de vitesse aidera à éviter d'endommager les composants.

Conduite sur les surfaces pavées

Votre VTT n'est pas conçu pour les surfaces pavées et est plus susceptible de basculer. Ne circulez pas sur les trottoirs ou les pistes cyclables, car ils ne sont pas destinés à l'utilisation des VTT. Si vous devez conduire sur une surface pavée, réduisez votre vitesse et évitez les virages, les accélérations ou les freinages brusques. Si vous devez traverser une route pavée, assurez-vous d'avoir une visibilité complète dans les deux sens pour le trafic venant en sens inverse et déterminez votre point de sortie de l'autre côté. Conduisez en ligne droite vers ce point. N'effectuez pas de changements brusques de direction ou d'accélérations brusques, car cela pourrait entraîner une situation de renversement.

ENTRETIEN

Calendrier d'entretien périodique

Respecter le calendrier d'entretien tel que l'indique votre Manuel du propriétaire permettra d'assurer le meilleur niveau de sécurité et de fiabilité de votre véhicule.

Les intervalles d'inspection, de réglage et de lubrification des composants essentiels sont expliqués dans le tableau d'entretien périodique.

Inspectez, nettoyez, lubrifiez, réglez et remplacez les pièces selon le besoin. Lorsqu'une inspection révèle la nécessité de pièces de rechange, utilisez toujours des pièces d'origine disponibles auprès de votre concessionnaire.

Définition de conditions d'usage intensif

CFMOTO définit les conditions d'usage intensif du véhicule comme étant :

- Immersion fréquente du véhicule dans la boue, l'eau ou le sable
- Fonctionnement prolongé du véhicule au ralenti
- Utilisation du véhicule à régime élevé du genre compétition
- Conduite du véhicule par temps froid sur de courtes distances
- Utilisation prolongée du véhicule à basse vitesse et charge élevée

Pour les véhicules qui sont soumis à un usage intensif, réduisez de 50 % tous les intervalles d'entretien et de réparation.

REMARQUE :

L'entretien et les réglages périodiques sont essentiels. Si les procédures sécuritaires de réglage et de réparation ne vous sont pas familières, assurez-vous de faire effectuer ces travaux par un concessionnaire qualifié.

ENTRETIEN

REMARQUE :

Prêtez une attention particulière au niveau d'huile du moteur pendant la conduite par temps froid. Une montée du niveau d'huile moteur par temps froid peut être le signe d'une accumulation de contaminants dans le carter d'huile ou le carter moteur. Vidangez l'huile immédiatement en cas de montée du niveau d'huile. Surveillez le niveau d'huile et, s'il continue à monter, cessez d'utiliser le véhicule et déterminez la cause, ou encore contactez votre concessionnaire.

Calendrier d'entretien périodique / Symboles

Les intervalles d'entretien dans les tableaux des pages suivantes sont basés sur des conditions d'utilisation moyenne et une vitesse moyenne d'environ 20 km/h (12,4 mi/h). Les véhicules soumis à un usage intensif ou commercial doivent être inspectés et entretenus plus fréquemment.

Les symboles suivants sont utilisés pour indiquer des circonstances spéciales :

- ▶ = Usage intensif. Réduire l'intervalle d'entretien de 50 % pour les véhicules soumis à un usage intensif.
- = Confier à un concessionnaire agréé les réparations concernant ce composant ou système.
- = Composants relatifs à la lutte contre les émissions. Confier à un concessionnaire agréé les réparations concernant ce composant ou système.

AVERTISSEMENT

Les procédures marquées «■» signifient que si une réparation est nécessaire, demandez à un revendeur agréé d'effectuer les réparations impliquant ce composant ou ce système. Une mauvaise exécution de la procédure pourrait entraîner une défaillance des composants et entraîner des blessures graves, voire la mort.

ENTRETIEN

Principaux points du programme de lubrification

Vérifiez tous les composants aux intervalles précisés dans le calendrier d'entretien périodique. Les éléments non indiqués dans le calendrier devraient être lubrifiés à l'intervalle de lubrification générale.

- Changez les lubrifiants plus souvent en fonction de l'usage intensif, comme par ex., dans des conditions de pluie ou poussiéreuses.
- Utilisez de la graisse toutes saisons sur les embouts de graissage.
- Lubrifiez tous les 800 kilomètres (500 miles), avant de longues périodes de remisage, après les lavages sous pression, ou après immersion du train de transmission.

Élément	Lubrifiant	Méthode
Huile moteur	SAE 10W-40 SAE 5W-40 / SAE 15W-40	Dévissez, nettoyez, insérez puis retirez la jauge d'huile pour vérifier le niveau d'huile.
Liquide de frein	DOT4	Gardez le niveau du liquide entre les repères Maximum et Minimum.
Huile du carter d'engrenages avant	SAE80W-90 GL-5	Capacité d'huile : 6,8 oz (200 mL).
Huile du carter d'engrenages avant	SAE80W-90 GL-5	Capacité d'huile : 7,8 oz (230 mL).
Pivots de suspension et organes de transmission	Graisse toutes saisons	Pistolet graisseur : pompez la graisse jusqu'à ce qu'elle commence à déborder de l'embout de graissage.

ENTRETIEN

Liste d'inspection pré-randonnée

Effectuez les inspections suivantes avant de partir avec votre véhicule :

Élément		Entretien pré-randonnée			
		Heures	Calendrier	Miles (km)	Remarques
■	Système de direction	-	Pre-rando	-	Inspectez visuellement, testez ou vérifiez les composants. Effectuer des ajustements et/ou planifier des réparations si nécessaire.
■	Retour des gaz	-	Pre-rando	-	
	Suspension et essieux avant	-	Pre-rando	-	
	Suspension et essieux arrière	-	Pre-rando	-	
	Pneus	-	Pre-rando	-	
	Niveau de liquide de frein	-	Pre-rando	-	
	Fonction levier de frein/frein à pied	-	Pre-rando	-	
	Fonction du système de freinage	-	Pre-rando	-	
	Roues / fixations	-	Pre-rando	-	
	Le niveau d'huile du moteur	-	Pre-rando	-	
▶	Filtre à air / Boîte à air et connexions	-	Pre-rando	-	Inspectez visuellement. Remplacez le filtre lorsqu'il est sale.

- ▶ = Usage intensif. Réduire l'intervalle d'entretien de 50 % pour les véhicules soumis à un usage intensif.
- = Confier à un concessionnaire agréé les réparations concernant ce composant ou système.
- = Composants relatifs à la lutte contre les émissions. Confier à un concessionnaire agréé les réparations concernant ce composant ou système.

ENTRETIEN

Élément		Entretien pré-randonnée			
		Heures	Calendrier	Miles (km)	Remarques
▶	Tube à sédiments de la boîte à vent	-	Pre-rando	-	Vérifiez. Si des dépôts sont visibles, nettoyez les tubes d'admission, la boîte à vent, et remplacez le filtre à air.
▶	Tube à sédiments de la TVC	-	Pre-rando	-	Vérifiez. Si des dépôts sont visibles, vidangez/ nettoyez la TVC ou faites exécuter l'entretien par le concessionnaire.
■	Faisceau de phare / éclairage général et indicateurs de virage (si le VTT en est équipé)	-	Pre-rando	-	Vérifiez. Ajustez ou remplacez les lumières si nécessaire.
▶	Radiateur	-	Pre-Pre-rando Ride	-	Vérifiez s'il y a de la boue ou des débris qui bloquent l'écoulement d'air. Nettoyez les surfaces si nécessaire.

- ▶ = Usage intensif. Réduire l'intervalle d'entretien de 50 % pour les véhicules soumis à un usage intensif.
- = Confier à un concessionnaire agréé les réparations concernant ce composant ou système.
- = Composants relatifs à la lutte contre les émissions. Confier à un concessionnaire agréé les réparations concernant ce composant ou système.

ENTRETIEN

Calendrier d'entretien durant la période de rodage

Effectuez les inspections suivantes lorsque le rodage du véhicule est terminé :

Élément		Entretien durant la période de rodage (Effectuez à l'intervalle qui survient le premier)			
		Heures	Calendrier	Miles (km)	Remarques
	Lubrification générale	20	-	200 (320)	Lubrifiez tous les points de graissage, pivots, câbles, etc.
	Huile moteur/filtre à huile/ crépine à d'huile	20	-	200 (320)	Changez l'huile et le filtre. Nettoyez la crépine à huile.
▶	Filtre à air du moteur	20	-	200 (320)	Vérifiez; remplacez s'il est sale; ne nettoyez pas.
■	Jeu des soupapes du moteur	20	-	200 (320)	Vérifiez et réglez selon les besoins.
	Huile du carter d'engrenages avant/arrière	20	-	200 (320)	Vérifiez les niveaux. Inspectez et vérifiez qu'il n'y pas de fuites.
	Liquide de refroidissement	20	-	200 (320)	Vérifiez les niveaux. Inspectez et vérifiez qu'il n'y pas de fuites.

- ▶ = Usage intensif. Réduire l'intervalle d'entretien de 50 % pour les véhicules soumis à un usage intensif.
- = Confier à un concessionnaire agréé les réparations concernant ce composant ou système.
- = Composants relatifs à la lutte contre les émissions. Confier à un concessionnaire agréé les réparations concernant ce composant ou système.

ENTRETIEN

Élément		Entretien durant la période de rodage (Effectuez à l'intervalle qui survient le premier)			
		Heures	Calendrier	Miles (km)	Remarques
▶	Plaquettes de freins	20	1M	200 (320)	Vérifiez l'épaisseur des plaquettes de frein.
	Batterie	100	12M	1000 (1600)	Vérifiez les bornes, nettoyez, testez l'état de la batterie si nécessaire.
■	Marche au ralenti	20	-	200 (320)	Vérifiez que le régime moteur (tr/min) est correct. Adressez-vous au concessionnaire pour une réparation si le moteur ne répond pas aux spécifications ou s'il tourne de façon irrégulière.
■	Direction / alignement des roues	20	-	200 (320)	Examinez la direction. Adressez-vous au concessionnaire pour une réparation si un alignement des roues est nécessaire.

- ▶ = Usage intensif. Réduire l'intervalle d'entretien de 50 % pour les véhicules soumis à un usage intensif.
- = Confier à un concessionnaire agréé les réparations concernant ce composant ou système.
- = Composants relatifs à la lutte contre les émissions. Confier à un concessionnaire agréé les réparations concernant ce composant ou système.

ENTRETIEN

Élément		Entretien durant la période de rodage (Effectuez à l'intervalle qui survient le premier)			
		Heures	Calendrier	Miles (km)	Remarques
▶	Pédale de frein / frein à main	20	-	200 (320)	Inspectez le fonctionnement. Réglez selon les besoins.
	Carters d'engrenage, arbre homocinétique, arbre de transmission	20	-	200 (320)	Vérifiez qu'il n'y pas de fuites.
	Tuyaux, garnitures et joints d'étanchéité du moteur	20	-	200 (320)	Vérifiez qu'il n'y pas de fuites.

- ▶ = Usage intensif. Réduire l'intervalle d'entretien de 50 % pour les véhicules soumis à un usage intensif.
- = Confier à un concessionnaire agréé les réparations concernant ce composant ou système.
- = Composants relatifs à la lutte contre les émissions. Confier à un concessionnaire agréé les réparations concernant ce composant ou système.

ENTRETIEN

Calendrier d'entretien périodique

Effectuez l'entretien au premier intervalle atteint après la période de rodage du véhicule :

Élément		Intervalle d'entretien périodique (Effectuez à l'intervalle qui survient le premier)			
		Heures	Calendrier	Miles (km)	Remarques
▶	Plaquettes de frein	10	1M	100 (160)	Vérifiez l'épaisseur des plaquettes.
	Batterie	100	12M	1000 (1600)	Vérifiez les bornes, nettoyez, testez l'état de la batterie si nécessaire.
	Tuyaux, garnitures et joints d'étanchéité du moteur	20	-	200 (320)	Vérifiez qu'il n'y pas de fuites.
▶	Lubrification générale	50	3M	500 (800)	Lubrifiez tous les points de graissage, pivots, câbles, etc.
▶	Filtre à air	50	--	500 (800)	Vérifiez toujours avant de conduire; inspectez fréquemment dans les conditions de conduite extrêmes; remplacez le filtre s'il est sale; ne nettoyez pas.

- ▶ = Usage intensif. Réduire l'intervalle d'entretien de 50 % pour les véhicules soumis à un usage intensif.
- = Confier à un concessionnaire agréé les réparations concernant ce composant ou système.
- = Composants relatifs à la lutte contre les émissions. Confier à un concessionnaire agréé les réparations concernant ce composant ou système.

ENTRETIEN

Élément		Intervalle d'entretien périodique (Effectuez à l'intervalle qui survient le premier)			
		Heures	Calendrier	Miles (km)	Remarques
▶	Grille du filtre d'admission d'air de la TVC / filtre	50	-	500 (800)	Nettoyez la grille du filtre ou le filtre; remplacez si nécessaire.
▶	Huile de carter de transmission avant	100	12M	1000 (1600)	Inspectez le niveau. Changez chaque année si les heures ou l'intervalle de distance ne sont pas respectés.
▶	Huile de carter de vitesse arrière	100	12M	1000 (1600)	Inspectez le niveau. Changez chaque année si les heures ou l'intervalle de distance ne sont pas respectés.

- ▶ = Usage intensif. Réduire l'intervalle d'entretien de 50 % pour les véhicules soumis à un usage intensif.
- = Confier à un concessionnaire agréé les réparations concernant ce composant ou système.
- = Composants relatifs à la lutte contre les émissions. Confier à un concessionnaire agréé les réparations concernant ce composant ou système.

ENTRETIEN

Élément		Intervalle d'entretien périodique (Effectuez à l'intervalle qui survient le premier)			
		Heures	Calendrier	Miles (km)	Remarques
▶	Huile moteur / filtre à huile / crépine à huile	100	12M	1000 (1600)	Inspectez le changement de couleur. Changer si la crépine est sale et propre. Changez chaque année si les heures ou l'intervalle de distance ne sont pas respectés.
	Système de refroidissement	50	6M	500 (800)	Testez la résistance du liquide de refroidissement. Système de test de pression chaque année.

- ▶ = Usage intensif. Réduire l'intervalle d'entretien de 50 % pour les véhicules soumis à un usage intensif.
- = Confier à un concessionnaire agréé les réparations concernant ce composant ou système.
- = Composants relatifs à la lutte contre les émissions. Confier à un concessionnaire agréé les réparations concernant ce composant ou système.

ENTRETIEN

Élément		Intervalle d'entretien périodique (Effectuez à l'intervalle qui survient le premier)			
		Heures	Calendrier	Miles (km)	Remarques
▶	Radiateur	50	6M	500 (800)	Inspecter. nettoyer les surfaces extérieures. Nettoyer plus fréquemment s'il est soumis à une utilisation intensive.
■	Système de direction	50	6M	500 (800)	Inspecter. Lubrifier.
▶	Suspension avant	50	6M	500 (800)	Lubrifier. Vérifiez les fixations.
▶	Suspension arrière	50	6M	500 (800)	Lubrifier. Vérifiez les fixations.
▶	Changement de vitesse	50	1M	500 (800)	Inspectez, lubrifiez, ajustez si nécessaire.
▶ ■	Corps de papillon / câble d'accélérateur	50h	6M	500 (800)	Inspecter. Nettoyer les dépôts de carbone. Inspectez le câble et lubrifiez-le fréquemment s'il est soumis à une utilisation intensive.

- ▶ = Usage intensif. Réduire l'intervalle d'entretien de 50 % pour les véhicules soumis à un usage intensif.
- = Confier à un concessionnaire agréé les réparations concernant ce composant ou système.
- = Composants relatifs à la lutte contre les émissions. Confier à un concessionnaire agréé les réparations concernant ce composant ou système.

ENTRETIEN

Élément		Intervalle d'entretien périodique (Effectuez à l'intervalle qui survient le premier)			
		Heures	Calendrier	Miles (km)	Remarques
▶ ■	Courroie d'entraînement de la TVC	100	12M	1000 (1600)	Vérifiez. Remplacez si nécessaire. Contactez votre concessionnaire pour le service.
■	Poulie motrice et poulie menée de la TVC	100	12M	1000 (1600)	Nettoyez et vérifiez les poulies. Remplacez les pièces usées. Contactez votre concessionnaire pour le service.
	Filtre et boyaux de carburant	100	24M	2000 (3200)	Vérifiez l'acheminement et l'état général. Remplacez le filtre et les boyaux à haute pression tous les 4 ans.
	Boyaux de refroidissement	100	--	1000 (1600)	Vérifiez la disposition des boyaux et l'état général.
▶	Jeu de soupapes	100	--	2000 (3200)	Vérifiez et ajustez si nécessaire. Contactez votre concessionnaire pour le service.

- ▶ = Usage intensif. Réduire l'intervalle d'entretien de 50 % pour les véhicules soumis à un usage intensif.
- = Confier à un concessionnaire agréé les réparations concernant ce composant ou système.
- = Composants relatifs à la lutte contre les émissions. Confier à un concessionnaire agréé les réparations concernant ce composant ou système.

ENTRETIEN

Élément		Intervalle d'entretien périodique (Effectuez à l'intervalle qui survient le premier)			
		Heures	Calendrier	Miles (km)	Remarques
●	Système d'alimentation carburant	100	12M	500 (800)	Vérifiez le réservoir de carburant, le bouchon du réservoir, la pompe et le relais de la pompe à carburant.
	Bougies d'allumage	100	24M	2000 (3200)	Vérifiez. Remplacez en cas d'usure ou d'encrassement.
■	Supports du moteur	100	12M	1500 (2400)	Vérifiez l'état général.
	Tuyau d'échappement et pare-étincelles	100	12M	500 (800)	Vérifiez. Nettoyez le pare-étincelles.
▶	Câblage, fusibles, connecteurs, relais et câbles	100	12M	1000 (1600)	Vérifiez le parcours du câblage et assurez-vous qu'il n'y a pas usure. Au besoin, appliquez un lubrifiant diélectrique sur les connecteurs soumis à l'eau, à la boue, etc.

- ▶ = Usage intensif. Réduire l'intervalle d'entretien de 50 % pour les véhicules soumis à un usage intensif.
- = Confier à un concessionnaire agréé les réparations concernant ce composant ou système.
- = Composants relatifs à la lutte contre les émissions. Confier à un concessionnaire agréé les réparations concernant ce composant ou système.

ENTRETIEN

Élément		Intervalle d'entretien périodique (Effectuez à l'intervalle qui survient le premier)			
		Heures	Calendrier	Miles (km)	Remarques
▶ ■	Roulements de roue	100	12M	1500 (2400)	Vérifiez qu'ils ne sont ni bruyants ni desserrés. Remplacez si nécessaire.
▶	Ceintures de sécurité	100	12M	2000 (3200)	Vérifiez visuellement les courroies et les loquets. Nettoyez le mécanisme de verrouillage plus souvent si le véhicule est sujet à une utilisation intensive.
	Liquide de refroidissement	200	24M	4000 (6400)	Changez le liquide de refroidissement tous les 2 ans si aucun des deux intervalles ne survient.
▶	Liquide de frein	200	24M	1000 (1600)	Vérifiez si le liquide n'a pas changé de couleur. Changez le liquide tous les deux ans.

- ▶ = Usage intensif. Réduire l'intervalle d'entretien de 50 % pour les véhicules soumis à un usage intensif.
- = Confier à un concessionnaire agréé les réparations concernant ce composant ou système.
- = Composants relatifs à la lutte contre les émissions. Confier à un concessionnaire agréé les réparations concernant ce composant ou système.

ENTRETIEN

Élément		Intervalle d'entretien périodique (Effectuez à l'intervalle qui survient le premier)			
		Heures	Calendrier	Miles (km)	Remarques
	Régime ralenti du moteur	--	12M	--	Vérifiez que le régime moteur est adéquat. Consultez votre concessionnaire si le régime en tr/min est hors spécifications ou erratique.
■	Direction / alignement des roues	--	12M	--	Vérifiez le système de direction. Contactez votre concessionnaire si des pièces ou un alignement sont nécessaire.
▶	Hauteur de la pédale de frein	--	12M	--	Vérifiez. Remplacez les plaquettes de frein ou ajustez la hauteur de la pédale au besoin.

- ▶ = Usage intensif. Réduire l'intervalle d'entretien de 50 % pour les véhicules soumis à un usage intensif.
- = Confier à un concessionnaire agréé les réparations concernant ce composant ou système.
- = Composants relatifs à la lutte contre les émissions. Confier à un concessionnaire agréé les réparations

ENTRETIEN

Contrôle du niveau d'huile moteur

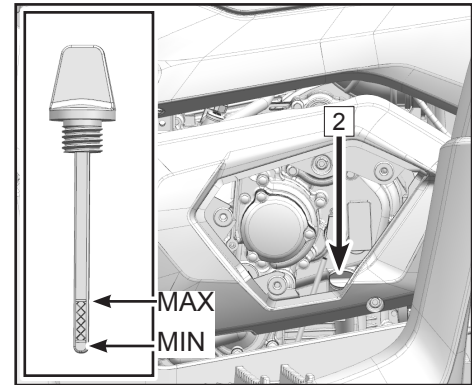
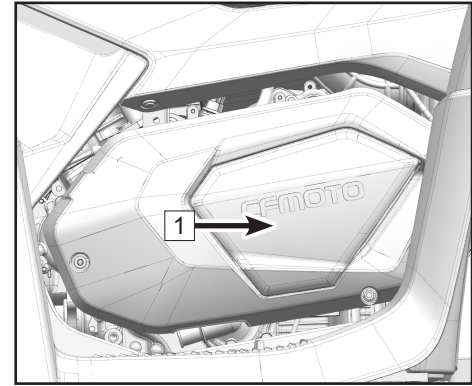
Vérifiez et changez toujours l'huile moteur aux intervalles prescrits dans le calendrier d'entretien.

1. Placez le VTT sur une surface plane.
2. Démarrez le moteur et laissez-le tourner au ralenti 20 à 30 secondes. Arrêtez le moteur.
3. Attendez quelques instants pour que l'huile se stabilise.
4. Enlevez le capot d'accès **1**.

REMARQUE :

Les bagues isolantes du capot d'accès peuvent se détacher. Assurez-vous qu'elles sont bien en place avant de réinstaller le capot.

5. Insérez la jauge d'huile de nouveau dans l'orifice de la jauge en vous assurant que son filetage soit en contact avec la surface de l'orifice, mais ne la vissez pas.
6. Sortez la jauge et vérifiez le niveau de l'huile. Assurez-vous que le niveau d'huile soit toujours entre les repères Maximum et Minimum.
7. Replacez la jauge dans le goulot de remplissage et serrez-la à la main. Puis réinstallez le capot d'accès.



ENTRETIEN

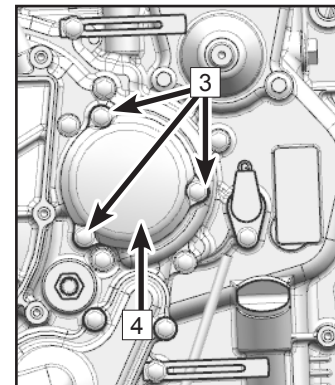
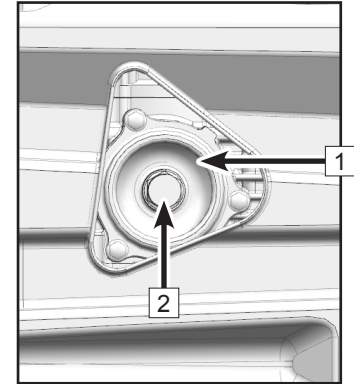
Changement d'huile moteur et de filtre

1. Assurez-vous que le véhicule est sur un terrain plat et en stationnement.
2. Démarrez le moteur et laissez-le tourner au ralenti pendant 2~3 minutes pour réchauffer l'huile, puis arrêtez le moteur.
3. Placer un bac sous le moteur [1] pour récupérer l'huile moteur.
4. Retirez la jauge et essuyez-la.
5. Retirez le boulon de vidange magnétique du carter et la rondelle [2] et vidangez l'huile.
6. Assurez-vous que le carter est complètement vidé.
7. Retirez les trois boulons du couvercle du filtre à huile [3].
8. Retirer le couvercle du filtre à huile [4].
9. Inspectez le joint torique [6] du couvercle et assurez-vous qu'il est en bon état. Remplacez-le par un neuf s'il est endommagé.
10. Installez le joint torique [6] dans le couvercle du filtre à huile et appliquez une couche d'huile moteur fraîche pour la lubrification.
11. Installer un nouveau filtre à huile [5].
12. Montez le couvercle du filtre à huile [4], puis installez et serrez les boulons du couvercle au couple spécifié.

Couple du boulon du couvercle du filtre à huile : 7,3 pi-lb. (10N·m)

13. Nettoyez tous les débris ou contaminants du boulon de vidange magnétique [2]. Remplacez la rondelle par une neuve si elle est endommagée.
14. Installez le boulon de vidange magnétique et la rondelle [2] et serrez au couple spécifié.

Couple du boulon de vidange : 18,5 pi-lb. (25 N·m)



ENTRETIEN

15. Utilisez un chiffon sec et propre pour essuyer la zone autour du boulon de vidange magnétique.
16. Ajoutez le type d'huile recommandé dans le trou de la jauge d'huile jusqu'à ce que le niveau atteigne la plage spécifiée.
17. Vérifiez que le niveau d'huile se situe entre les repères supérieur et inférieur avec la jauge et ajustez le niveau d'huile en conséquence.

⚠ ATTENTION

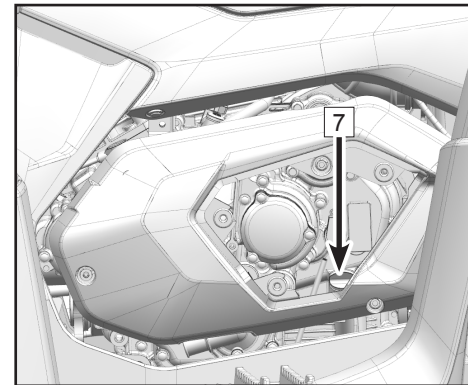
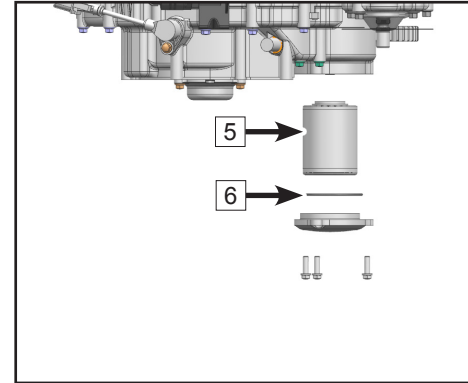
Trop ou pas assez d'huile aura un impact sur le fonctionnement normal du moteur. Assurez-vous que l'huile est maintenue entre les repères supérieur et inférieur de la jauge.

18. Installez et serrez la jauge d'huile.
19. Vérifiez que le véhicule est à la position stationnement (P), puis démarrez et laissez le véhicule tourner au ralenti pendant 30 secondes.
20. Inspectez le moteur pour déceler des fuites après l'avoir arrêté. Contactez votre revendeur si des fuites sont détectées.

⚠ AVERTISSEMENT

Lors de la vidange de l'huile moteur, gardez le véhicule éteint et en position de stationnement pour éviter des blessures ou la mort.

21. Éliminez correctement l'huile usagée et le filtre.



ENTRETIEN

Réglage du train de soupapes du moteur

Les jeux des soupapes d'admission et d'échappement changent avec l'utilisation du véhicule, ce qui peut entraîner une mauvaise alimentation en carburant/air ou un bruit de moteur. Pour éviter cela, les jeux aux soupapes doivent être ajustés en fonction du programme d'entretien. Ce réglage doit être effectué par un technicien de service professionnel. Contactez votre revendeur pour le service.

Jeu des soupapes d'admission (moteur froid) : 0,003 po ~ 0,005 po (0,08 mm ~ 0,12 mm)

Jeu des soupapes d'échappement (moteur froid) : 0,005 po ~ 0,007 po (0,12 mm ~ 0,18 mm)

Régime de ralenti du moteur

Ce véhicule est équipé d'un système d'injection électronique de carburant. Il n'y a aucune disposition pour régler le régime de ralenti du moteur. Le corps de papillon est une partie essentielle du système de carburant qui nécessite un réglage très sophistiqué et a été réglé en usine. Si les réglages sont perturbés, des performances médiocres du moteur et des dommages peuvent en résulter. Vérifiez la stabilité du régime de ralenti du moteur et contactez votre revendeur pour un entretien si nécessaire. Contactez votre concessionnaire en cas de condition anormale de ralenti du moteur.

REMARQUE :

Ralenti moteur : 1500 tr/min \pm 150 tr/min (moteur à température de fonctionnement)

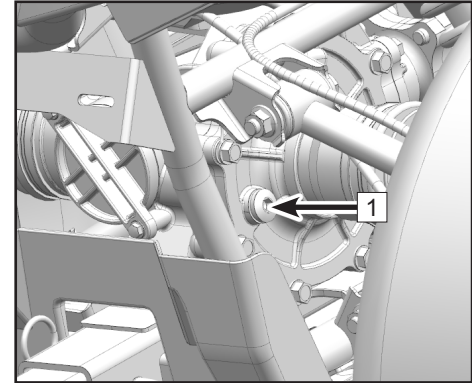
ENTRETIEN

Huile de carter d'engrenage

Les carters de transmission avant et arrière doivent être vérifiés pour détecter les fuites d'huile et le niveau d'huile correct avant chaque trajet. Si une fuite est détectée, contactez votre revendeur pour réparation.

Contrôle du niveau d'huile du carter de transmission arrière

En raison de sa conception unique, la vidange et le remplissage du carter d'engrenages sont nécessaires pour produire le niveau d'huile correct. Reportez-vous à « Vidange d'huile du carter de transmission arrière ».

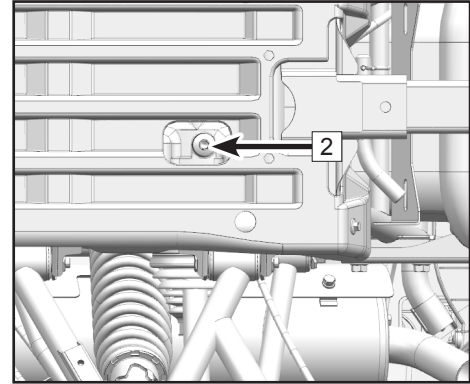


ENTRETIEN

Vidange d'huile de carter de vitesse arrière

1. Placez la machine sur un endroit plat.
2. Placez un récipient sous le carter de transmission avant pour récupérer l'huile.
3. Retirez le boulon de remplissage d'huile et le boulon de vidange au bas du carter d'engrenage arrière, puis vidangez l'huile usagée.
4. Installez le boulon de vidange et serrez-le au couple spécifié.
5. Couple du boulon de vidange : **18,4 pi-lb. (25 N•m)**.
6. Remplissez le carter de transmission arrière d'huile.
7. Capacité de vidange d'huile : **6,7 oz (0,2 L)**
8. Installez le boulon de remplissage et serrez-le au couple spécifié.
9. Couple du boulon de remplissage d'huile : 18,4 pi-lb. (25 N•m). Vérifiez les fuites d'huile. Si une fuite d'huile est détectée, vérifiez-la et réparez-la.

REMARQUE : Assurez-vous qu'aucun corps étranger ne pénètre dans le carter d'engrenage arrière.



ENTRETIEN

Contrôle du niveau d'huile du carter de transmission avant

En raison de sa conception unique, la vidange et le remplissage du carter d'engrenages sont nécessaires pour produire le niveau d'huile correct. Se reporter à « Vidange d'huile du carter de transmission arrière ».

Vidange d'huile de carter de d'engrenage avant

1. Placez le véhicule sur une surface plane.
2. Placer un récipient sous le carter d'engrenage avant pour récupérer l'huile.
3. Retirez le bouchon de remplissage d'huile [1] et le boulon de vidange [2] comme indiqué pour vidanger l'huile usagée.
4. Installez le boulon de vidange et serrez-le au couple spécifié.

Couple de serrage du boulon de vidange : **18,4 pi-lb. (25 N•m)**

5. Ajoutez la quantité recommandée d'huile pour engrenages dans le carter d'engrenages.

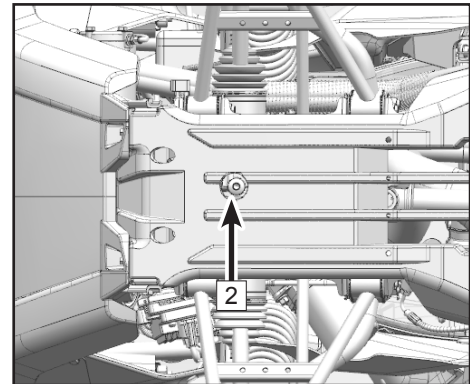
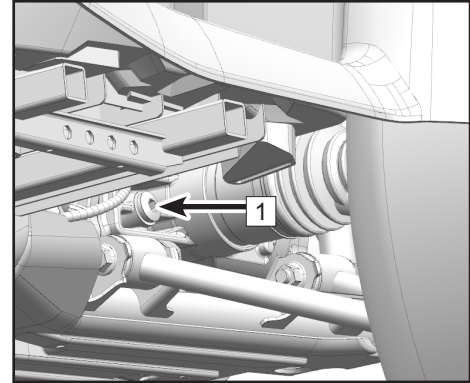
Capacité de vidange d'huile : **7,7 oz. (230 mL)**

6. Installez le bouchon de remplissage et serrez-le au couple spécifié.

Couple de serrage: **18.4 ft-lb. (25 N•m)**

7. Vérifiez les fuites d'huile. Si une fuite d'huile est détectée, recherchez-en la cause.

REMARQUE : Assurez-vous qu'aucun corps étranger ne pénètre dans le carter d'engrenage.



ENTRETIEN

Système de refroidissement

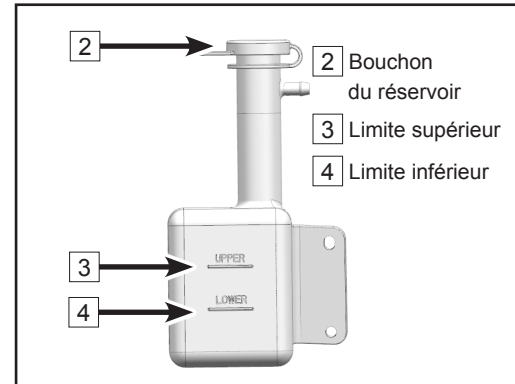
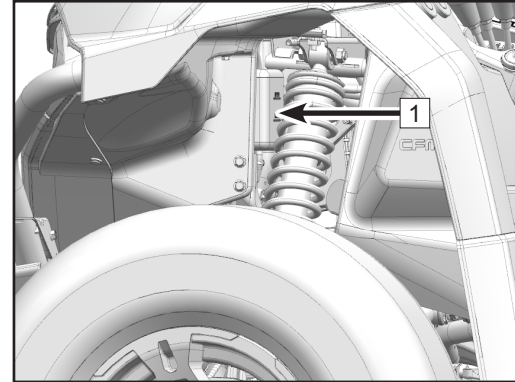
Vérification du niveau de liquide de refroidissement

1. Placez le VTT sur une surface de niveau.
2. L'indicateur de niveau du réservoir de liquide de refroidissement **1** est situé à l'avant gauche du véhicule. Vérifiez le niveau du liquide de refroidissement dans le réservoir lorsque le moteur est froid, car le niveau du liquide de refroidissement varie en fonction de la température du moteur.

REMARQUE : Le niveau du liquide de refroidissement doit se trouver entre les repères de la limite supérieure **3** et de la limite inférieure **4**.

3. Si le liquide de refroidissement est égal ou inférieur au repère de limite inférieure, retirez le couvercle d'accès et le bouchon du réservoir **2**, puis ajoutez du liquide de refroidissement jusqu'au repère de limite supérieure. Réinstallez le bouchon du réservoir et le couvercle d'accès.

REMARQUE : Capacité minimale du réservoir de liquide de refroidissement : 0,21 qt (0,2 L).



ENTRETIEN

ATTENTION

Ajoutez uniquement de l'eau distillée. L'eau dure ou l'eau salée est nocive pour le moteur. L'eau douce est autorisée si l'eau distillée n'est pas disponible.

ATTENTION

Si seule de l'eau est ajoutée, demandez à votre revendeur de vérifier dès que possible la teneur en antigél du liquide de refroidissement. Le fonctionnement du ventilateur du radiateur est automatiquement activé ou désactivé en fonction de la température du liquide de refroidissement dans le moteur. Gardez les mains et les vêtements éloignés du ventilateur.

ENTRETIEN

Couvercle d'accès avant

Retirez le couvercle d'accès avant lorsqu'une inspection et un entretien du radiateur, du réservoir de liquide de refroidissement, du réservoir de liquide de frein, du boîtier de relais et des fusibles sont nécessaires.

Retrait :

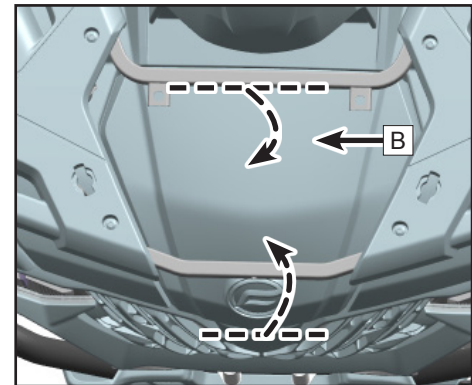
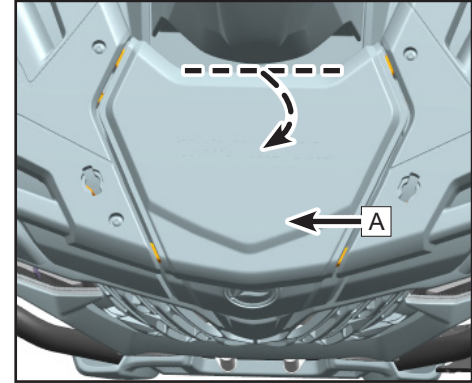
Saisissez le bord du cache du porte-bagages avant, tirez vers le haut pour libérer les goupilles à œillets, puis retirez le cache vers l'avant du véhicule [A].

Saisissez le bord du couvercle d'accès, tirez vers le haut pour libérer les goupilles à œillets, puis retirez le couvercle vers l'avant du véhicule [B].

Installation :

Insérez les languettes du capot dans les trous correspondants sur la carrosserie, puis alignez les goupilles à bague isolante et appuyez.

REMARQUE : Pour faire en sorte que le capot soit facile à enlever, appliquez une mince couche de lubrifiant, de temps en temps, sur les goupilles à bague isolante.



ENTRETIEN

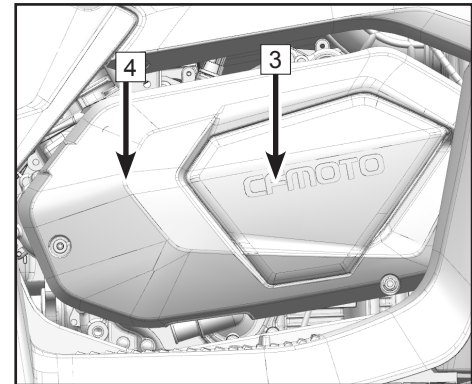
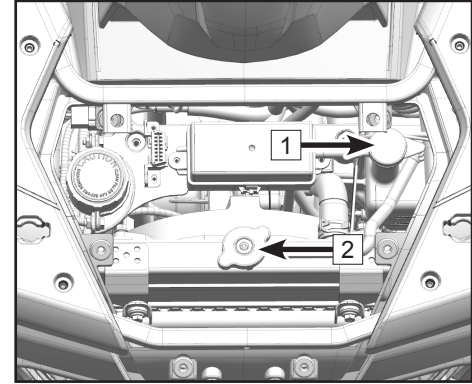
Changement du liquide de refroidissement

Évacuation

⚠ ATTENTION

Ne retirez jamais le bouchon du radiateur immédiatement lorsque le moteur est chaud. Attendez que le moteur refroidisse suffisamment avant de retirer le bouchon du radiateur. Le liquide de refroidissement chaud peut provoquer de graves brûlures.

1. Placez le VTT sur une surface de niveau.
2. Retirez le capot d'accès avant.
3. Retirez le bouchon du radiateur **2**.
4. Retirez le bouchon du réservoir du liquide de refroidissement **1**.
5. Placez un bac à vidange sous le moteur, puis retirez :
 - Le petit capot gauche du moteur **3**.
 - Le capot gauche du moteur **4**.
 - Le boulon de vidange du liquide de refroidissement **5** (utilisez une auge ou un objet similaire pour diriger le liquide de refroidissement dans le récipient).
6. Débranchez le tuyau du réservoir de liquide de refroidissement et faites circuler le liquide de refroidissement dans le récipient.

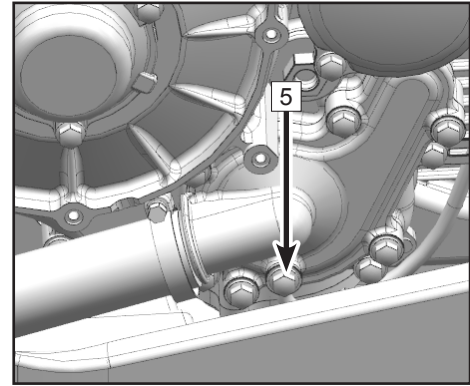


ENTRETIEN

7. Après la vidange, rincez soigneusement le circuit de refroidissement avec de l'eau propre du robinet. Laissez l'eau se vider complètement du circuit de refroidissement.
8. Remplacez la rondelle du boulon de vidange du liquide de refroidissement si elle est endommagée, puis serrez ce boulon, mais pas jusqu'au couple de serrage prescrit.
9. Réinstallez la durite du réservoir de liquide de refroidissement.
10. Remplissez le radiateur avec du liquide de refroidissement recommandé jusqu'à ce qu'il soit plein.

Couple du boulon de vidange : **7,3 pi-lb. (10 N•m)**

11. Placez le véhicule sur une pente ascendante, puis démarrez le moteur et laissez-le tourner au ralenti pendant plusieurs minutes jusqu'à ce que le ventilateur de refroidissement s'active. Arrêtez le moteur et laissez-le refroidir. Vérifiez le niveau du liquide de refroidissement dans le radiateur. S'il est bas, ajoutez plus de liquide de refroidissement jusqu'à ce qu'il atteigne le haut du radiateur. Répétez si nécessaire.
12. Installez le bouchon du radiateur.
13. Remplissez le réservoir de liquide de refroidissement avec du liquide de refroidissement jusqu'à la limite supérieure.



ENTRETIEN

14. Installez le bouchon du réservoir de liquide de refroidissement et vérifiez s'il y a des fuites de liquide de refroidissement. Si des fuites sont détectées, demandez à votre revendeur de vérifier le système de refroidissement.
15. Réinstaller:
 - Le capot gauche du moteur. Couple de serrage : 7,3 pi-lb. (10 N•m)
 - Le capot gauche du petit moteur.
 - Le capot d'accès avant.

REMARQUE :

Antigel recommandé : Tout antigel à l'éthylène glycol de haute qualité contenant des inhibiteurs de corrosion pour les moteurs en aluminium.

Niveau de protection contre le gel du liquide de refroidissement recommandé par CFMOTO : -35 °C.

Rapport de mélange d'antigel et d'eau distillée : 1:1

Capacité totale du liquide de refroidissement (sauf réservoir de liquide de refroidissement) : 2,3 pintes. (2,18 L)

Changement de liquide de refroidissement (sauf réservoir de liquide de refroidissement) : 2,22 pintes. (2,1 L)

Capacité du réservoir de liquide de refroidissement : 0,21 pinte. ~ 0,4 pinte. (Repère inférieur : 0,2 L / Repère supérieur : 0,38 L)

L'eau dure ou l'eau salée est nocive pour le moteur. Utilisez uniquement de l'eau distillée pour mélanger avec le liquide de refroidissement.

ENTRETIEN

ATTENTION

CFMOTO utilise le liquide de refroidissement de la technologie de l'acide organique (OAT) dans tous les moteurs refroidis par liquide. Ne pas mélanger avec du liquide de refroidissement inorganique (IAT). En cas de remplacement par un liquide de refroidissement différent, veuillez contacter votre revendeur pour éliminer complètement le liquide de refroidissement résiduel. Différentes couleurs/types de liquide de refroidissement peuvent entraîner une défaillance des composants.

Nettoyage du radiateur

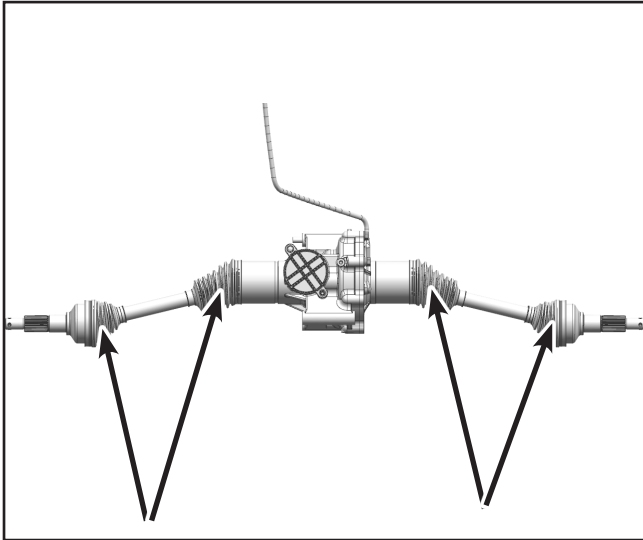
Nettoyez les surfaces externes avant et arrière du radiateur s'il est recouvert de boue ou de débris pour garantir qu'il continue de refroidir efficacement le moteur. Utilisez uniquement de l'eau à basse pression pour nettoyer le radiateur. Les nettoyeurs haute pression peuvent endommager les ailettes de refroidissement. Assurez-vous que l'eau peut s'écouler librement à travers les ailettes du radiateur. C'est un signe que l'air de refroidissement pourra passer.

ENTRETIEN

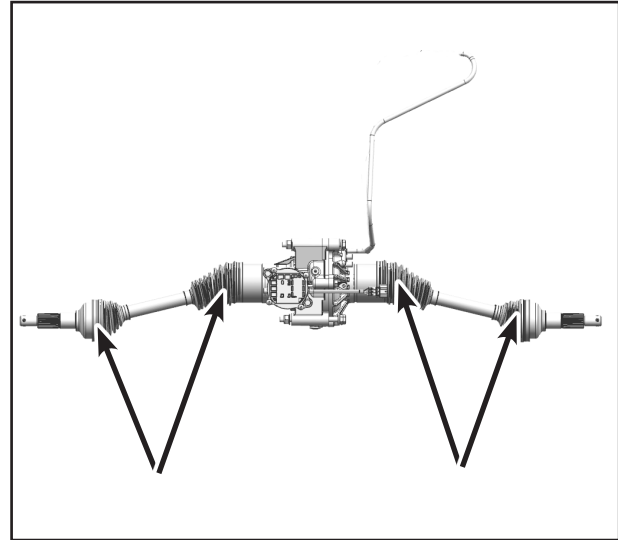
Soufflets pare-poussière d'essieu

Vérifiez si les soufflets de protection des essieux **1** comportent des trous ou des traces d'usure. Si vous constatez que les soufflets sont endommagés, demandez à votre concessionnaire de les remplacer.

Avant :



Arrière :



ENTRETIEN

Vérification de la bougie d'allumage

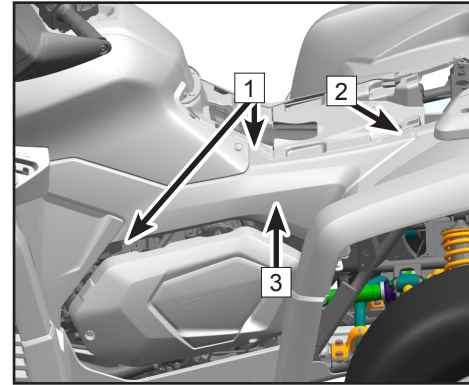
Pour avoir accès à la bougie d'allumage, vous devez enlever les composants suivants :

Panneau décoratif gauche

Retirez les vis d'expansion **1**.

Enlevez le boulon **2**.

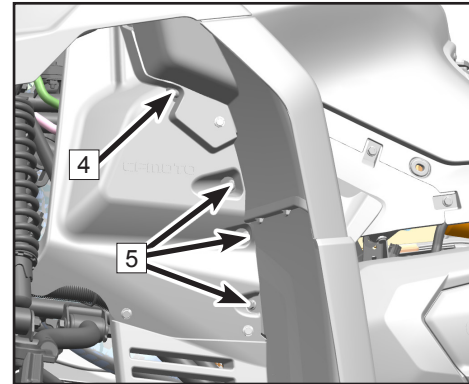
Enlevez le capot de protection **3**.



Capot du levier des vitesses

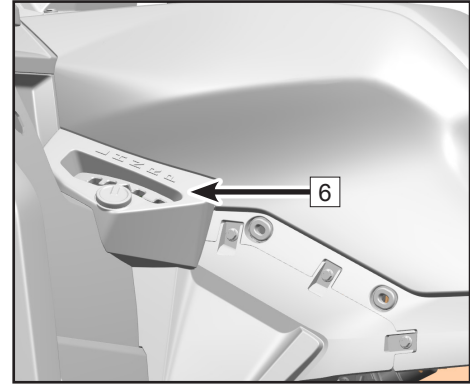
Retirez les vis **4**.

Retirez les boulons **5**.



ENTRETIEN

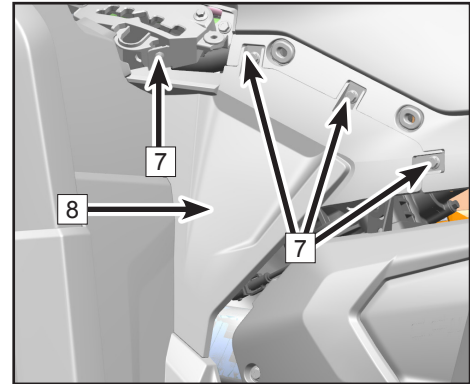
Retirez le capot [6].



Capot de la partie inférieure

Retirez les boulons [7].

Retirez le capot de la partie inférieure gauche [8].



ENTRETIEN

Retrait

Retirez le capuchon de la bougie.

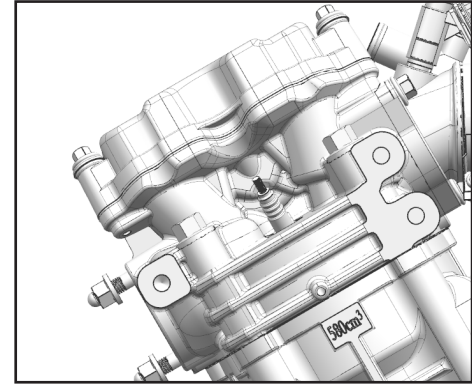
Une clé à bougie est fournie dans la trousse à outils pour retirer la bougie.

Vérification

La bougie d'allumage est un composant moteur important et facile à vérifier. L'état de la bougie peut indiquer l'état du moteur. La couleur idéale sur l'isolateur blanc autour de l'électrode centrale est une couleur beige moyen claire pour un moteur de VTT qui est utilisé normalement.

N'essayez pas de diagnostiquer vous-même un problème de bougie. Apportez plutôt le VTT chez votre concessionnaire pour réparation. Vous devez retirer et vérifier périodiquement la bougie d'allumage pour déceler des dommages dus à la chaleur et à des dépôts qui pourraient l'endommager lentement et l'éroder. Si l'érosion de l'électrode devient excessive, ou si du carbone et d'autres dépôts sont excessifs, vous devez remplacer la bougie d'allumage par la bougie spécifiée.

REMARQUE : Le type de bougie préconisé est NGK(R)CR8EK.



ENTRETIEN

Mesurez l'écartement des électrodes à l'aide d'une jauge d'épaisseur et, au besoin, ajustez l'écartement conformément aux spécifications

REMARQUE :

Écartement des électrodes de la bougie d'allumage a :
0,7 mm ± 0,05 mm.

Installation

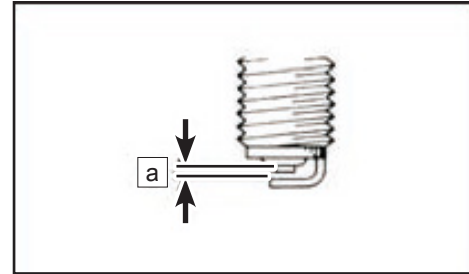
1. Nettoyez la surface du joint. Essayez toute saleté présente sur le filetage.
2. Installez la bougie et serrez au couple prescrit.

REMARQUE :

Couple de serrage de la bougie recommandé :
14,8 pieds-livres (20 N•m).

Si une clé dynamométrique n'est pas disponible lorsque vous installez une bougie, une bonne estimation du couple correct consiste à serrer la bougie avec le doigt d'abord, puis d'ajouter 1/4 à 1/2 tour avec l'outil de serrage. Assurez-vous de serrer la bougie au couple spécifié aussi tôt que possible.

3. Réinstallez le capuchon de la bougie.
4. Réinstallez les panneaux et le capot du levier des vitesses.



ENTRETIEN

Retrait de la bougie d'allumage pour expulser l'eau du moteur

Si de l'eau s'est infiltrée dans le moteur, il est important d'expulser cette eau dès que possible : pour cela, il suffit d'enlever la bougie, de démarrer le moteur et de le faire tourner pendant une courte période afin de déloger l'eau du cylindre. Vérifiez que la boîte à vent a été vidangée avant d'essayer d'expulser l'eau.

ATTENTION

Le moteur du véhicule peut subir des dommages importants si de l'eau s'est infiltrée dans le moteur. Faites rapidement réparer le VTT par votre concessionnaire s'il est immergé ou cale dans de l'eau plus profonde que le bas du repose-pied. S'il y a eu infiltration d'eau, il est important de contacter votre concessionnaire pour un entretien avant de démarrer le moteur. De l'eau infiltrée dans le moteur peut provoquer un effet de « verrouillage hydraulique » qui peut endommager le démarreur et les composants du moteur. L'huile moteur doit être vérifiée pour s'assurer qu'elle n'est pas contaminée. Vidangez et remplissez d'huile moteur neuve si vous trouvez de l'eau dans le carter.

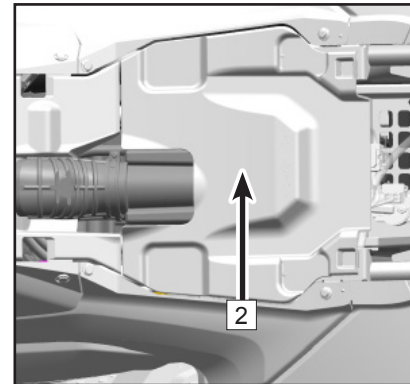
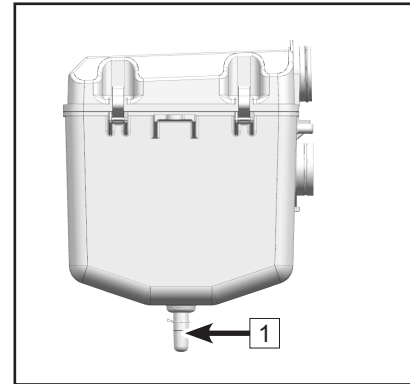
ENTRETIEN

Filtre à air

Un tuyau de contrôle **1** se trouve au fond du boîtier du filtre à air. Si vous constatez de la poussière ou de l'eau dans ce tuyau, videz le tuyau et nettoyez méticuleusement le boîtier de filtre à air. Si le VTT a été submergé, contactez votre concessionnaire local pour faire vérifier si de l'eau s'est infiltrée à l'intérieur du carter du moteur.

Entretien du filtre à air

1. Enlevez le siège.
2. Retirez le panneau de protection supérieur du filtre à air **2**.
3. Retirez les agrafes-ressorts **3** et le boulon **4** du couvercle.
4. Retirez le couvercle du boîtier du filtre à air **5**.
5. Desserrez la bride du filtre à air **6** et retirez le préfiltre en mousse du filtre à air **7**.
6. Retirez le préfiltre en mousse **7** du filtre à air.
7. Lavez le préfiltre de mousse délicatement avec de l'eau et du savon, et laissez-le sécher complètement.
8. Vérifiez le filtre à air en papier et confirmez qu'il peut être réinstallé. Éliminez délicatement la poussière accumulée. Remplacez par un nouveau filtre si nécessaire.



ENTRETIEN

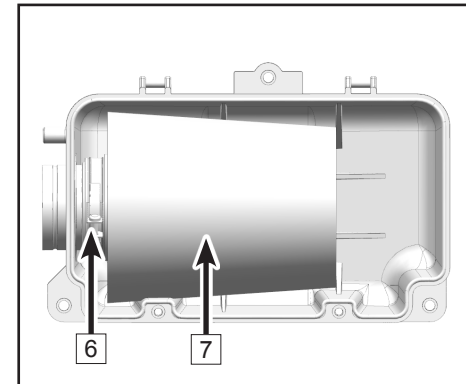
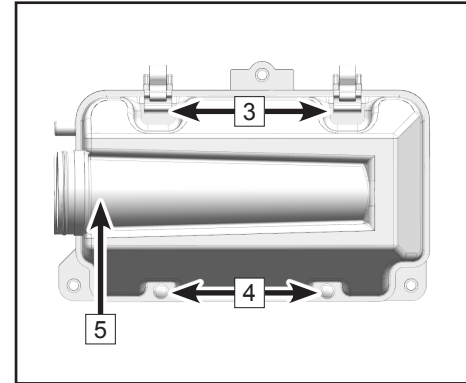
ATTENTION

Ne pas laver l'élément filtrant en papier et ne pas le nettoyer à l'air comprimé.

9. Installez le préfiltre sur le filtre à air. Appliquez une mince couche d'huile lubrifiante sur le diamètre intérieur du joint en caoutchouc du filtre à air.
10. Installez le filtre à air et la bride sur l'admission du boîtier du filtre à air. Serrez la bride solidement.
11. Réinstallez le couvercle du boîtier du filtre à air et les attaches-ressort. Vérifiez que le couvercle est bien installé et qu'il est fermé de façon étanche.
12. Réinstallez le couvercle décoratif. Assurez-vous que les rondelles isolantes sont engagées et solidement fixées.

REMARQUE :

Vérifiez et changez le filtre à air plus souvent si le VTT est utilisé dans des zones extrêmement poussiéreuses ou s'il devient mouillé. Chaque fois que l'entretien du filtre à air est effectué, assurez-vous que l'entrée d'air du boîtier du filtre à air ne présente ni obstructions ni débris. Vérifiez l'étanchéité des raccords du boîtier du filtre à air, du joint en caoutchouc, du boîtier papillon et du collecteur. Vérifiez que tous les raccords sont sécurisés pour éviter que tout air non filtré puisse pénétrer dans le moteur.



ENTRETIEN

Séchage du boîtier du filtre à air après immersion

Si de l'eau s'est infiltrée dans le boîtier du filtre à air, vidangez le boîtier du filtre à air, retirez le filtre à air et séchez complètement les composants. N'utilisez pas de l'air comprimé sur le filtre à air en papier. Contactez votre concessionnaire si votre VTT présente des problèmes de performance.

ATTENTION

Ne faites jamais tourner le moteur sans élément de filtre à air. De l'air non filtré pénétrant dans le moteur peut causer de l'usure ou l'endommager. Conduire sans filtre à air diminuera également la performance du moteur et peut entraîner une surchauffe.

ATTENTION

Des dommages importants peuvent être causés au moteur du véhicule si de l'eau pénètre dans le boîtier du filtre à air et le moteur lui-même. Faites rapidement réparer le véhicule par votre concessionnaire si votre véhicule est immergé ou cale dans une eau dont le niveau dépasse le bas du repose-pied. Il est important de contacter votre concessionnaire pour un entretien avant de redémarrer le moteur, car de l'eau peut avoir pénétré dans la boîte à vent et dans le moteur.

ENTRETIEN

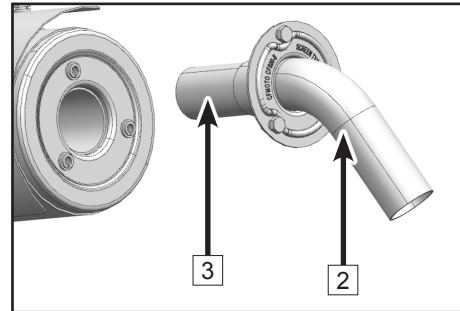
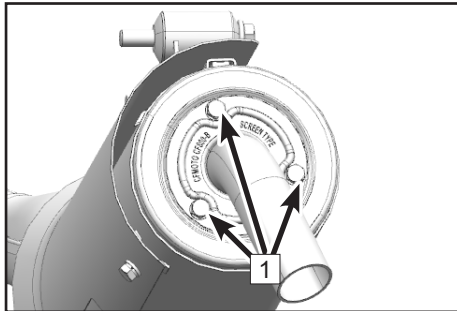
Pare-étincelles d'échappement

Nettoyez le pare-étincelles lorsque le silencieux et l'échappement sont à une température ambiante normale.

1. Retirez les boulons [1].
2. Retirez le pare-étincelles [2] du silencieux.
3. Tapez légèrement le tuyau arrière d'échappement puis utilisez une brosse métallique pour déloger tous les dépôts de carbone [3] de la partie pare-étincelles du tuyau arrière d'échappement.
4. Insérez le tuyau arrière d'échappement dans le silencieux et alignez les trous des boulons.
5. Installez et serrez les boulons.

⚠ ATTENTION

Lorsque vous nettoyez le pare-étincelles : laissez toujours le pot d'échappement refroidir avant de toucher des composants du système d'échappement. Ne démarrez jamais le moteur durant le nettoyage du système d'échappement.

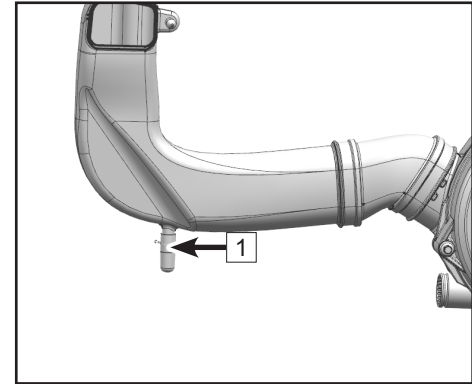


ENTRETIEN

Système TVC

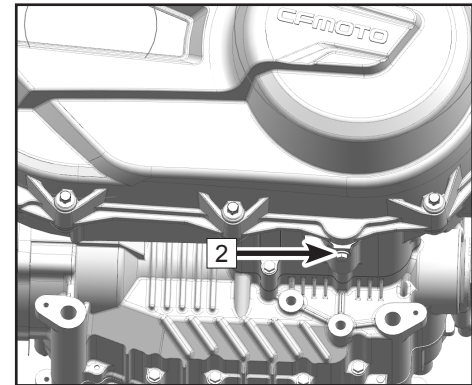
Tube de contrôle de la sortie d'air de la TVC

Si vous voyez de la poussière ou de l'eau dans ce tube de contrôle [1], videz le tube et nettoyez ou vidangez le boîtier de la TVC. Si le véhicule a été submergé, contactez votre concessionnaire local pour faire vérifier le boîtier et les composants de la TVC minutieusement.



Boulon de vidange du capot de la TVC

Si le véhicule a été submergé dans l'eau et que l'eau était assez profonde pour s'infiltrer dans le boîtier de la TVC, enlevez le boulon de vidange [2] pour évacuer l'eau du boîtier.



ATTENTION

Si de l'eau s'échappe du boîtier de la courroie trapézoïdale au moment de l'enlèvement du boulon, faites vérifier votre VTT par un concessionnaire local, car l'eau pourrait avoir détérioré le système de la TVC et d'autres pièces du moteur.

ENTRETIEN

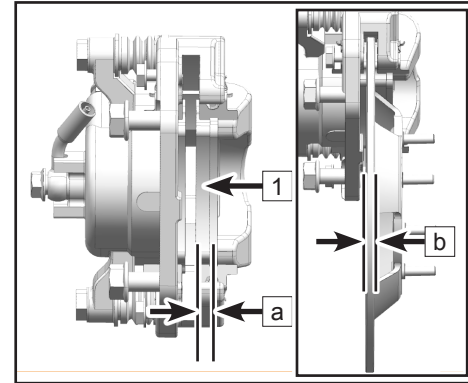
Systeme de freinage

Inspection des plaquettes de frein

Vérifiez les plaquettes de frein **1** pour détecter tout dommage et usure. Si l'épaisseur des plaquettes **a** est inférieure à 0,59 po (1,5 mm) ou si l'épaisseur du disque est inférieure **b** à 0,157 po (4,0 mm), demandez à votre revendeur de les remplacer. Le remplacement des composants de frein nécessite des connaissances professionnelles. Ces procédures doivent être effectuées par votre revendeur.

REMARQUE :

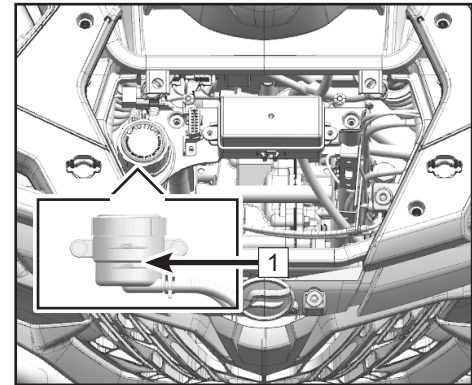
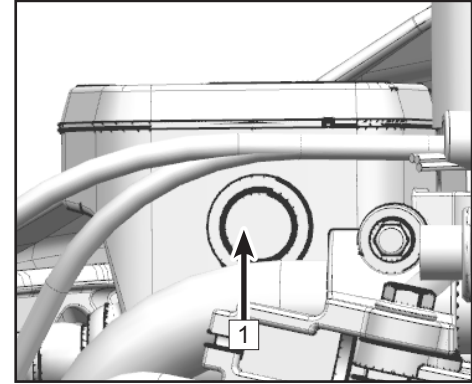
Le retrait des roues est nécessaire pour vérifier les plaquettes de frein.



ENTRETIEN

Inspection du système de freinage

- Vérifiez le niveau de liquide de frein **1** avant chaque trajet.
- Le réservoir du maître-cylindre de liquide de frein avant est situé sur le côté droit du guidon.
- Le réservoir du maître-cylindre de liquide de frein au pied est situé sous le couvercle d'accès avant.
- Une quantité insuffisante de liquide de frein peut laisser de l'air pénétrer dans le système de freinage, ce qui peut rendre les freins inefficaces. Avant de rouler, vérifiez que le liquide de frein est au-dessus du niveau inférieur et faites l'appoint si nécessaire.



ENTRETIEN

Respectez ces précautions d'inspection

1. Assurez-vous que le VTT est garé sur un terrain plat.
2. Lors de la vérification du niveau de liquide de frein avant, assurez-vous que le réservoir du maître-cylindre est de niveau en tournant le guidon jusqu'à ce que la direction soit centrée et que les roues soient pointées vers l'avant.
3. Utilisez uniquement le liquide de frein de qualité désignée. Sinon, les joints en caoutchouc pourraient se détériorer, provoquant des fuites et de mauvaises performances de freinage.

Liquide de frein recommandé : DOT 4

4. Remplissez avec le même type de liquide de frein. Le mélange de liquides peut entraîner une réaction chimique nocive et entraîner de mauvaises performances de freinage.
5. Faites attention à ce que de l'eau ne pénètre pas dans le réservoir du maître-cylindre lors du remplissage. L'eau abaissera considérablement le point d'ébullition du fluide et peut entraîner un blocage de vapeur.
6. Le liquide de frein peut détériorer les surfaces peintes ou les pièces en plastique. Nettoyez toujours immédiatement le liquide renversé.
7. Demandez à votre concessionnaire d'en vérifier la cause si le niveau de liquide de frein baisse.

ENTRETIEN

Remplacement du liquide de frein

Le remplacement complet du liquide de frein doit être effectué uniquement par un technicien qualifié. Demandez à votre concessionnaire de remplacer les pièces suivantes lors de l'entretien périodique du VTT, lorsque ces pièces sont endommagées ou ont des fuites.

- Remplacez les tuyaux du système de freinage tous les 4 ans.

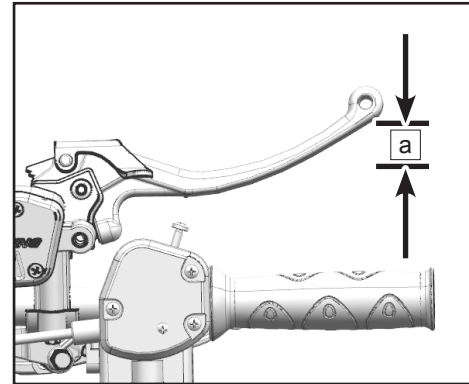
⚠ DANGER

(Après l'entretien):

- Tout l'air doit être purgé du système de freinage. L'entretien des composants de frein nécessite des connaissances professionnelles. Ces procédures doivent être effectuées par votre revendeur.
- Assurez-vous que les freins fonctionnent correctement et que le jeu libre est correct.
- Assurez-vous que les freins ne traînent pas.
- Assurez-vous que les freins ne sont pas spongieux.

Jeu libre du levier avant a

Le levier de frein avant doit avoir un petit jeu libre à l'extrémité du levier. Si ce n'est pas le cas, contactez votre revendeur pour vérifier le système de freinage.



ENTRETIEN

Frein à main

Pour garer le VTT, coupez le moteur, tenez le levier du frein à main droite tout en pressant, en même temps, la pédale de frein, puis serrez fermement le frein à main hydraulique 1 avec la main gauche.

AVERTISSEMENT

Utiliser le VTT alors que le frein à main est engagé peut entraîner un accident et des blessures graves voire mortelles.

Vérifiez et assurez-vous toujours que le frein à main est désengagé avant de conduire le VTT.

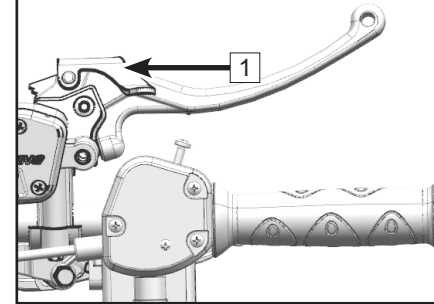
Précautions importantes

Le frein à main peut se relâcher s'il reste engagé durant une longue période. Bloquez toujours les roues pour empêcher le roulement du VTT. Ne vous fiez jamais au seul frein à main si le VTT/quad est garé sur une pente. Bloquez toujours les roues du côté incliné du VTT/quad pour éviter le roulement. Une autre option est de garer le VTT/quad en position de stationnement à flanc de pente.

DANGER

Le frein à main droit du guidon ne doit pas être utilisé pour freiner durant une conduite normale.

Frein à main droit



ENTRETIEN

Réglage de la hauteur de la pédale de frein

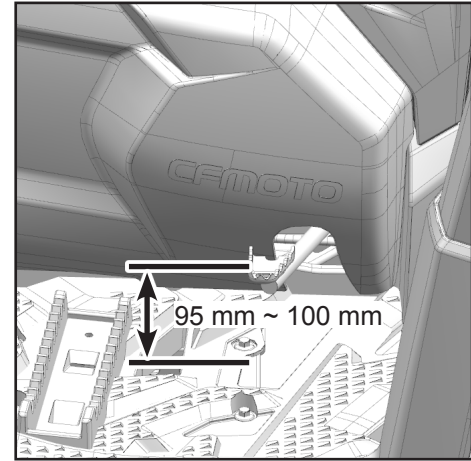
REMARQUE :

Le dessus de la pédale de frein doit se situer de 95 à 100 mm au-dessus du repose-pieds. Si ce n'est pas le cas, demandez à votre concessionnaire de l'ajuster.

 **DANGER**

(Après entretien)

- Assurez-vous que les freins fonctionnent correctement et que le jeu est adéquat.
- Assurez-vous que les freins ne traînent pas.
- Assurez-vous que les freins ne sont pas spongieux.



Contacteur du feu d'arrêt de la pédale de frein

En cas de défaillance du feu d'arrêt, vérifiez l'assemblage du contacteur ou si le câble est correctement fixé.

ENTRETIEN

Câbles de commande

Lubrifiez le câble intérieur et les extrémités des câbles d'accélérateur et de stationnement. Entretien et remplacer les câbles selon le calendrier de maintenance.

AVERTISSEMENT

Inspectez fréquemment les câbles. Remplacez les câbles endommagés. Si les câbles ne fonctionnent pas correctement, demandez à votre revendeur de les remplacer.

REMARQUE :


Lubrifiant de câble recommandé : **SAE 10W/30**

Suspension Pivots

Suspension avant:

La suspension avant n'est pas équipée de graisseurs. Aucun entretien n'est requis.

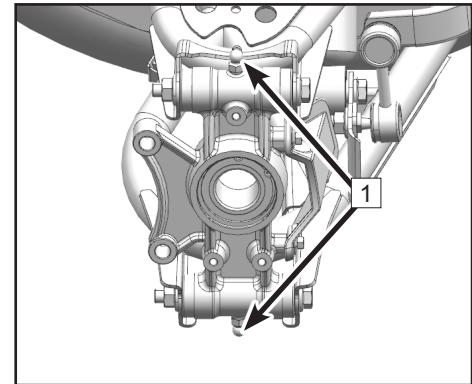
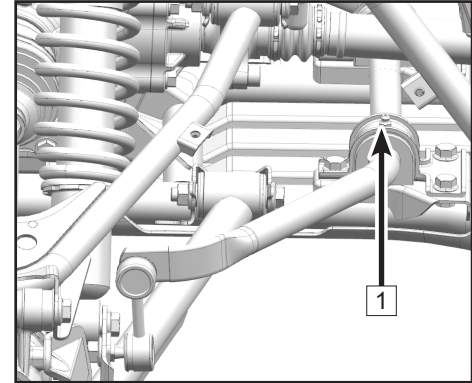
Suspension arrière et barre stabilisatrice :

Ajoutez de la graisse toutes saisons dans les graisseurs avec un pistolet graisseur  jusqu'à ce qu'elle commence à s'écouler de la bague.

REMARQUE :

Les graisseurs sont symétriques à gauche et à droite.

Il y a 2 graisseurs sur la barre stabilisatrice arrière et 4 graisseurs sur la suspension arrière.



ENTRETIEN

Roues et pneus

Retrait

1. Desserrez les écrous de roue 1.
2. Soulevez le VTT et placez un support approprié sous le châssis.
3. Enlevez les écrous de la roue.
4. Retirez la roue.

Installation

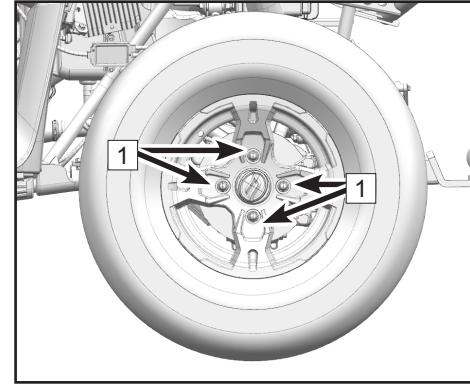
1. Installez la roue et les écrous.

REMARQUE :

- Des écrous coniques sont utilisés pour les roues avant et arrière. Installez les écrous avec le côté conique vers la roue.
 - Le repère flèche sur le pneu doit être orienté dans la direction de rotation de la roue.
2. Abaissez le VTT jusqu'à ce que la roue touche le sol.
 3. Serrez les écrous de la roue au couple spécifié.

REMARQUE :

Couple de serrage des écrous de roue : 52,4 livres-pieds à 59 livres-pieds (70 N•m ~ 80 N•m)



ENTRETIEN

Pression des pneus

Vérifiez la pression des pneus avant d'utiliser le VTT :

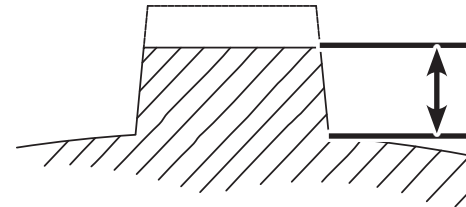
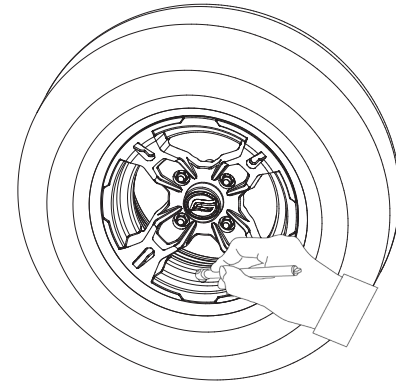
Pneus avant : 6,5 PSI (45 kPa)

Pneus arrière : 6,5 PSI (45 kPa)

Profondeur de la bande de roulement

Vérifiez régulièrement la profondeur de la bande de roulement des pneus et remplacez les pneus dès que la profondeur de la bande de roulement est inférieure aux spécifications.

Profondeur minimale de la bande de roulement : **3/32 po (3 mm)**.



ENTRETIEN

Batterie

Cette machine est équipée d'une batterie à faible entretien située sous le capot d'accès avant.. Comme il s'agit d'une batterie scellée, il est inutile d'en vérifier l'électrolyte ou de lui ajouter de l'eau distillée. Si la batterie semble déchargée, contactez votre concessionnaire.

REMARQUE :

Spécification de la batterie : **12 Vcc / 30 ampères-heure**

AVERTISSEMENT

N'essayez pas d'enlever les bouchons d'obturation des éléments de batterie. Vous risquez d'endommager la batterie.

DANGER

Évitez tout contact avec la peau, les yeux ou les vêtements, et protégez toujours vos yeux lorsque vous travaillez à proximité de batteries. Tenir les batteries hors de portée des enfants.

Antidote à l'acide de batterie :

EXTERNE : Rincez à l'eau.

INTERNE : Buvez de grandes quantités d'eau ou de lait. Ingérez ensuite du lait de magnésium, des œufs battus ou de l'huile végétale. Consultez un médecin dans les plus brefs délais.

YEUX : Rincez à l'eau pendant 15 minutes et consultez un médecin dans les plus brefs délais.

Gardez les batteries éloignées des étincelles, des flammes, des cigarettes ou d'autres sources inflammables. Aérez la zone lors de la charge ou de l'utilisation de la batterie dans un espace fermé.

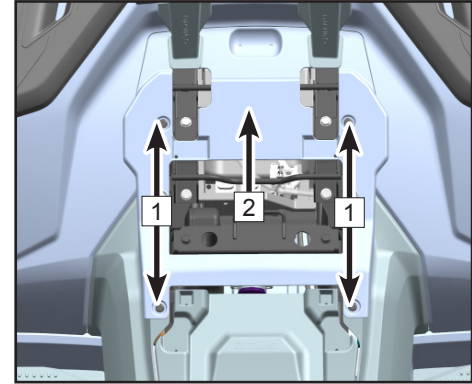
ENTRETIEN

Démontage de la batterie

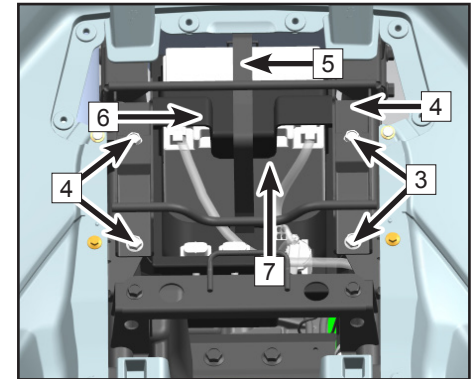
Éteignez toutes les pièces électriques et le moteur avant le démontage.

Démontage (Le modèle L)

- Enlevez le siège du conducteur et le siège du passager.
- Retirez les vis d'expansion **1**.
- Retirez le panneau décoratif **2**.



- Retirez les boulons **3**.
- Retirez le support de montage du siège arrière **4**.
- Retirez la sangle de retenue **5** et le couvercle des électrodes **6**.
- Retirez le boulon de fixation du câble négatif de la batterie en même temps que le câble.
- Retirez le boulon de fixation du câble positif de la batterie en même temps que le câble.
- Retirez la batterie **7**.

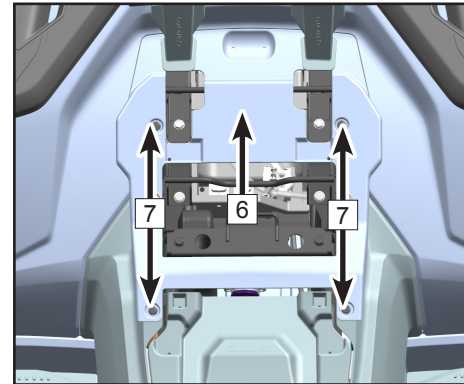
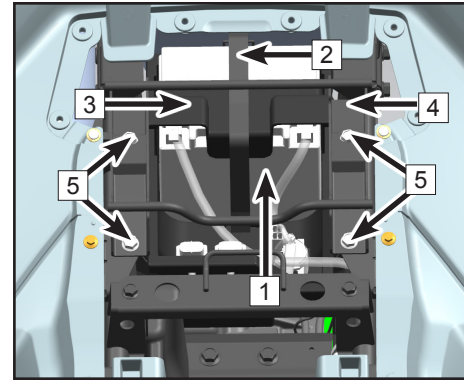


ENTRETIEN

Remontage de la batterie (modèle L)

Mettez la batterie **1** en place.

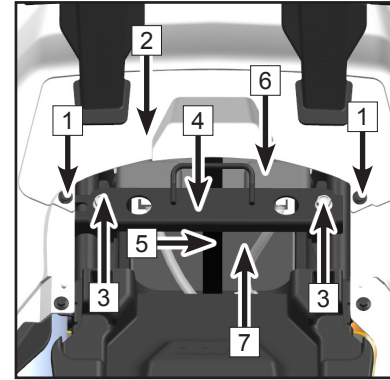
- Installez le câble positif sur le boulon positif de la batterie.
- Installez le câble négatif sur le boulon négatif de la batterie.
- Installez la sangle de retenue **2** et le couvercle des électrodes **3**.
- Installez le support de montage du siège arrière **4**.
- Installez les boulons **5**.
- Montez le panneau décoratif **6**.
- Installez les vis d'expansion **7**.



ENTRETIEN

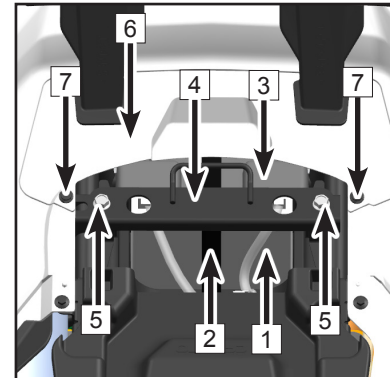
Démontage de la batterie (modèle S)

- Retirez les vis d'expansion [1].
- Retirez le panneau décoratif [2].
- Retirez les boulons [3].
- Retirez le support de montage du siège arrière [4].
- Retirez la sangle de retenue [5] et le couvercle des électrodes [6].
- Retirez le boulon de fixation du câble négatif de la batterie en même temps que le câble.
- Retirez le boulon de fixation du câble positif de la batterie en même temps que le câble.
- Retirez la batterie [7].



Remontage de la batterie (modèle S)

- Mettez la batterie [1] en place.
- Installez le câble positif sur le boulon positif de la batterie.
- Installez le câble négatif sur le boulon négatif de la batterie.
- Installez la sangle de retenue [2] et le couvercle des électrodes [3].
- Installez le support de montage du siège arrière [4].
- Installez les boulons [5].
- Montez le panneau décoratif [6].
- Installez les vis d'expansion [7].



ENTRETIEN

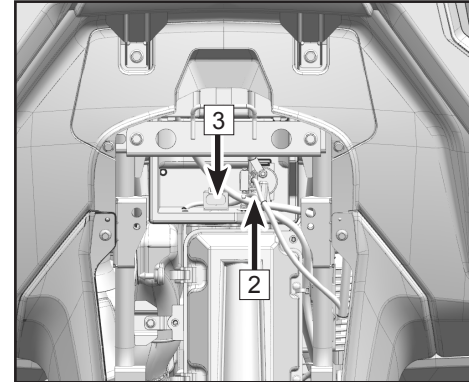
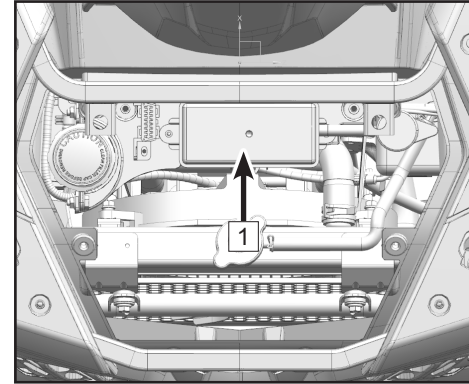
Remplacement fusible et relais

1. La boîte à relais/fusibles est située sous le couvercle d'accès avant. Le fusible principal 30A et le fusible EPS 40A sont situés sous le siège.
2. Si un fusible est grillé, éteignez l'interrupteur principal et installez un nouveau fusible de l'ampérage spécifié. Testez en allumant l'alimentation principale et les interrupteurs. Si le fusible saute à nouveau immédiatement, consultez votre revendeur.

⚠ ATTENTION

Utilisez toujours un fusible du calibre spécifié.

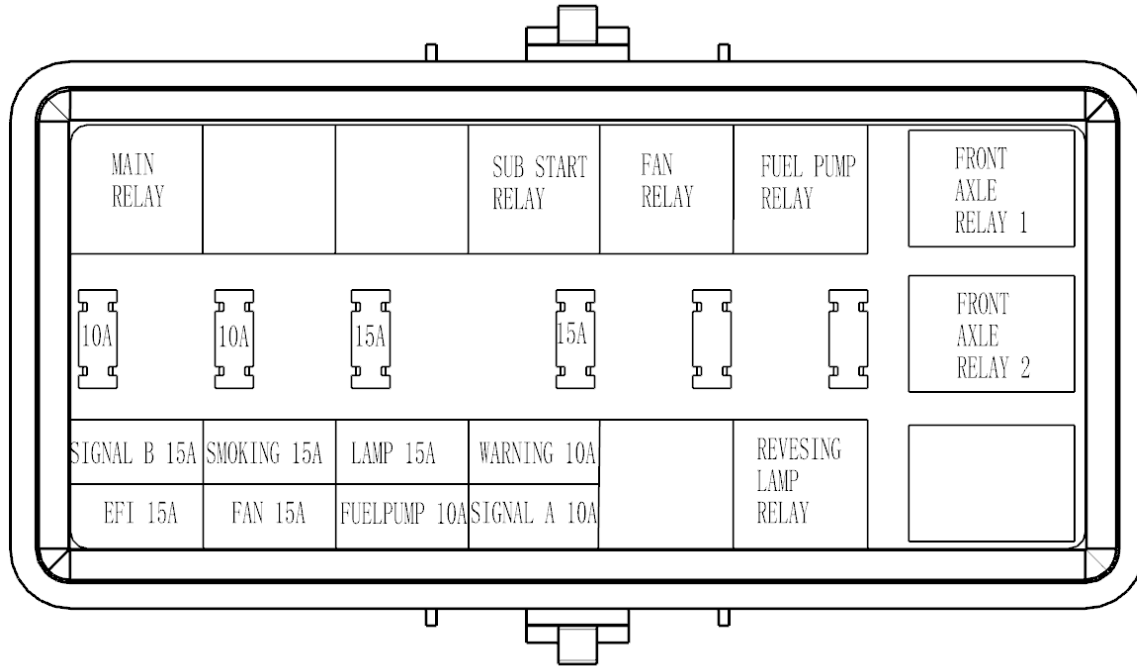
N'utilisez jamais de matériau conducteur à la place du fusible approprié.



ENTRETIEN

Boîte à relais/fusibles

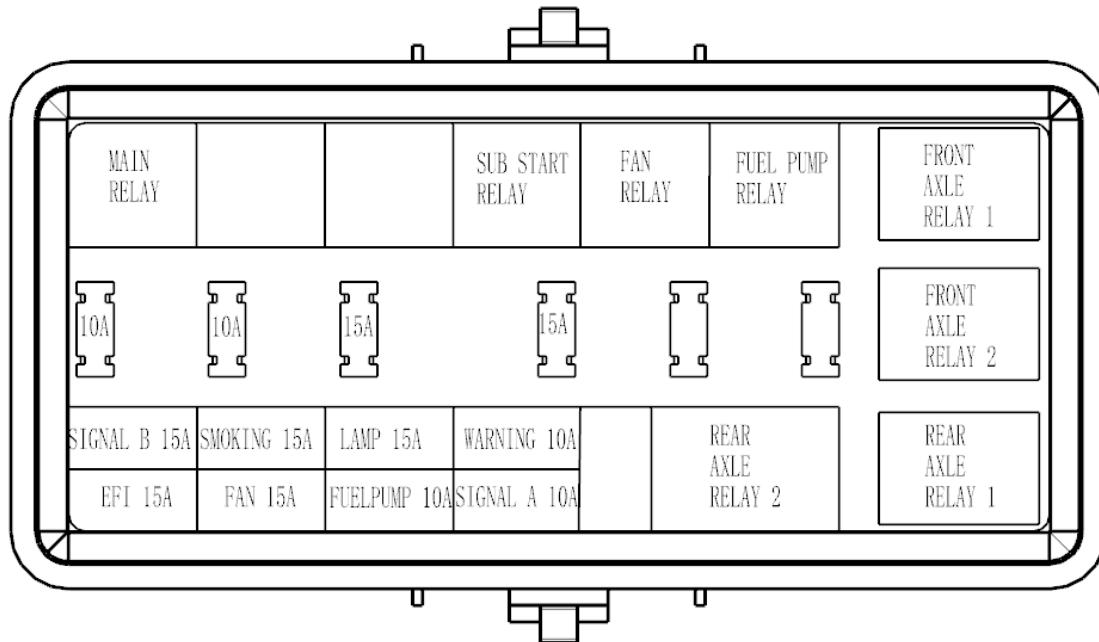
Pour véhicule sans clignotant



ENTRETIEN

Boîte à relais/fusibles

Pour véhicule avec clignotant



ENTRETIEN

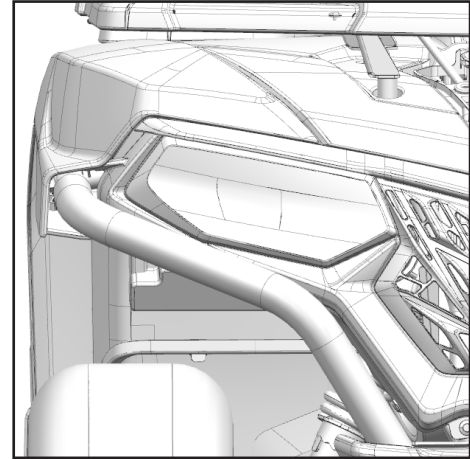
AVERTISSEMENT

Pour éviter tout court-circuit accidentel, coupez le moteur (clé de contact sur OFF) lorsque vous vérifiez ou remplacez un fusible.

Remplacement des ampoules de phare

REMARQUE :

Les deux ensembles de phares sont à LED et ne peuvent pas être réparés s'ils sont endommagés ou en panne. Veuillez demander à votre revendeur de remplacer l'ensemble complet lorsque la lumière LED est endommagée ou en panne.

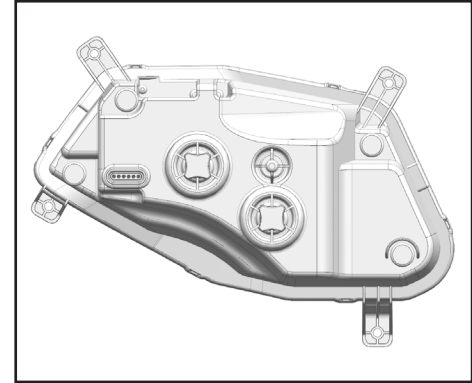


ENTRETIEN

Réglage du faisceau des phares

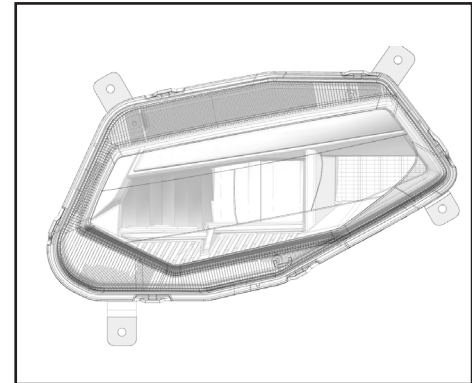
⚠ AVERTISSEMENT

Il est conseillé de confier ce réglage à votre revendeur. Tournez les vis de réglage pour élever ou abaisser la poutre.



Remplacement des feux arrière/stop

Les ensembles queue/frein sont à LED, qui ne peuvent pas être réparés s'ils sont endommagés ou en panne. Veuillez demander à votre revendeur de remplacer l'ensemble lorsque la lumière LED est endommagée ou en panne.



ENTRETIEN

Réglage des suspensions avant et arrière

Précharge du ressort d'amortisseur

La précharge du ressort peut être ajustée en fonction du poids du cycliste et des conditions de conduite.

Lors du réglage des amortisseurs arrière, les roues arrière doivent être démontées.

Réglez la précharge du ressort comme suit :

Pour augmenter la précharge du ressort [1], tournez le dispositif de réglage dans le sens [a].

Pour diminuer la précharge du ressort [2], tournez le dispositif de réglage dans le sens [b].

REMARQUE :

Une clé spéciale [3] (si elle n'est pas fournie dans le kit d'outils) peut être obtenue chez un revendeur pour effectuer ce réglage.

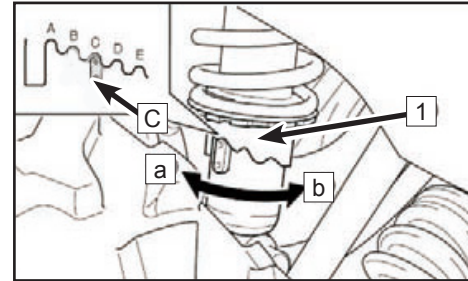
Position de précharge standard :

A- Minimum (mou)

G-Maximum (dur)

REMARQUE :

Réglez toujours les amortisseurs gauche et droit au même réglage. Soulever le véhicule pour relâcher la pression de la suspension et faciliter le mouvement du dispositif de réglage.



ENTRETIEN

Système d'évaporation du carburant (EVAP) (si équipé)

Selon les exigences du marché, dans certaines zones, votre véhicule est équipé d'un système d'évaporation du carburant (EVAP) qui empêche les vapeurs de carburant de pénétrer dans l'atmosphère par le réservoir de carburant et le système de carburant. Ne modifiez jamais aucune partie de ce système, ce qui violerait les règlements sur les émissions d'évaporation de carburant.

Pendant l'entretien de routine, inspecter visuellement toutes les connexions pour détecter les fuites et les obstructions, et inspecter les tuyaux pour détecter les déformations ou les dommages.

Aucun autre entretien n'est nécessaire. Contactez votre concessionnaire si une réparation est nécessaire.

REMARQUE : Cette information s'applique seulement aux véhicules équipés d'un système EVAP.

 AVERTISSEMENT
--

Si le VTT est submergé, le moteur peut subir des dommages importants, il est donc important de faire vérifier le véhicule à fond. Faites transporter le véhicule chez votre concessionnaire avant de redémarrer le moteur. Par exemple, si le moteur n'est pas correctement vérifié et réparé après l'immersion, le démarrage l'endommagera.
--

NETTOYAGE ET ENTREPOSAGE

Nettoyage du VTT

Garder votre VTT propre vous permet à la fois de maintenir une belle apparence et de prolonger la durée de vie des différentes pièces. À quelques précautions près, ce nettoyage est comparable à celui de tout véhicule automobile.

Lavage du VTT

La méthode la meilleure et la plus sûre pour nettoyer votre VTT est d'utiliser un seau rempli d'eau et de savon doux, et un tuyau d'arrosage de jardin. Utilisez un chiffon ou une mitaine de lavage professionnel, en commençant par le haut de la carrosserie et en finissant par les parties inférieures. Rincez fréquemment à l'eau douce et essuyez le véhicule avec une peau de chamois pour éviter les taches d'eau.

REMARQUE :

Si des autocollants d'avertissement et de sécurité sont endommagés, contactez votre concessionnaire pour les remplacer.

CFMOTO ne recommande pas l'usage d'un système à haute pression pour le lavage de votre VTT. Si vous utilisez un système à haute pression, faites très attention à ne pas détériorer les roulements de roue, les joints de transmission, les panneaux de la carrosserie, les freins, les étiquettes d'avertissement, le système d'admission du filtre à air et les circuits électriques. Assurez-vous également que l'eau n'atteigne pas le filtre à air.

REMARQUE :

Graissez tous les embouts de graissage immédiatement après le lavage. Laissez le moteur tourner pendant un certain temps pour évaporer toute eau qui aurait pu s'infiltrer dans le moteur ou le système d'échappement

NETTOYAGE ET ENTREPOSAGE

Cirage du VTT

Votre véhicule peut être ciré avec toute cire en pâte non abrasive pour automobile. Évitez l'utilisation de produits nettoyants abrasifs car ils peuvent abîmer le fini de la carrosserie.

⚠ ATTENTION

Certains produits, y compris les insectifuges et les produits chimiques, peuvent endommager les surfaces en plastique. Soyez prudent lorsque vous utilisez ces produits à proximité de surfaces en plastique du véhicule.

Réalisation des réparations

Effectuez les réparations nécessaires à votre véhicule avant son entreposage pour éviter d'autres dommages lors de la prochaine utilisation.

Vérification des pneus

Vérifiez la bande de roulement des pneus et leur état général. Gonflez les pneus à la pression d'air spécifiée.

NETTOYAGE ET ENTREPOSAGE

Huile et filtre à huile

Chauffez le moteur, puis arrêtez le moteur et changez l'huile et le filtre à huile.

Filtre à air / boîte à vent

Vérifiez et nettoyez ou remplacez le filtre à air. Nettoyez la boîte à vent et le tube à sédiments.

Vérifiez les niveaux des liquides

Inspectez les niveaux des liquides suivants et changez les liquides au besoin :

- Liquide du carter d'engrenages avant
- Liquide du carter d'engrenages arrière
- Liquide de frein (changez tous les deux ans ou au besoin si le liquide semble foncé ou contaminé)
- Liquide de refroidissement (changez tous les deux ans ou au besoin si le liquide semble contaminé)
- Niveau de carburant (ajoutez du stabilisateur de carburant selon les instructions sur l'étiquette du produit)

Stabilisez le carburant

Remplissez le réservoir de carburant avec du carburant frais qui a été traité avec un stabilisateur de carburant selon les instructions sur l'étiquette de produit. Ne laissez pas du carburant non traité dans le réservoir plus de 30 jours, car le carburant commence à se dégrader et peut endommager les composants du circuit d'alimentation de carburant.

Remisez la batterie

Retirez la batterie du véhicule et assurez-vous qu'elle est pleinement chargée avant de la remiser. Protégez la batterie contre le gel, car des températures au-dessous du point de congélation peuvent l'endommager.

NETTOYAGE ET ENTREPOSAGE

Lubrifiez

Inspectez tous les câbles et graissez-les avec du lubrifiant pour câble selon les instructions sur l'étiquette du produit. Graissez les embouts de lubrification du VTT avec une graisse toutes saisons.

« Brumisez » le moteur

1. Enlevez le panneau latéral gauche pour accéder à la bougie d'allumage.
2. Enlevez la bougie, tournez le piston jusqu'au fond de sa course, puis versez environ 2 onces (15 à 20 mL) d'huile moteur dans l'ouverture.

REMARQUE :

Faites cette opération avec précaution ! Si vous ratez le trou de la bougie, de l'huile s'écoulera du logement de la bougie, ce qui peut être confondu avec une fuite d'huile. Pour accéder au trou de la bougie, utilisez un morceau de tuyau propre et un petit flacon comprimable en plastique rempli de la quantité d'huile voulue.

3. Réinstallez la bougie puis serrez-la au couple de serrage prescrit.
4. Faites tourner le moteur plusieurs fois lentement. De l'huile sera forcée dans le piston et autour, dans les segments de piston et les recouvrira d'une couche d'huile fraîche protectrice.
5. Réinstallez les capuchons de la bougie, puis replacez le panneau latéral gauche.

REMARQUE :

Faire démarrer le moteur durant de la période de remisage perturbera la couche d'huile protectrice créée par la brumisation. De la corrosion pourrait se produire. Ne démarrez jamais le moteur durant la période de remisage.

NETTOYAGE ET ENTREPOSAGE

Antigel pour moteur

Vérifiez l'efficacité de l'antigel du moteur et changez-le au besoin. L'antigel doit être remplacé tous les deux ans.

Lieu de remisage et bâchage

Gonflez les pneus à la pression spécifiée. Soutenez le véhicule à l'aide de cales posées sous le châssis, les pneus devant se trouver à 30 à 40 mm au-dessus du sol. Assurez-vous que le lieu du remisage est bien aéré, et couvrez le VTT à l'aide d'une bâche approuvée.

REMARQUE :

Ne couvrez pas le VTT avec des bâches en matière plastique ou revêtues, car elles n'auront pas assez d'aération pour empêcher la condensation, ce qui favorise la corrosion et l'oxydation.

ATTENTION

Si une procédure de brumisation du moteur n'est pas effectuée, il est recommandé de réchauffer le moteur tous les 3 mois et de tourner au ralenti pendant 5 à 10 minutes afin que le moteur puisse être entièrement lubrifié.

Les véhicules qui ont été désactivés pendant une longue période doivent éviter de tirer ou de rouler à grande vitesse immédiatement après le démarrage, ce qui entraînera une usure excessive du moteur et affectera sa durée de vie.

NETTOYAGE ET ENTREPOSAGE

Transport du véhicule

Suivez les procédures ci-après lorsque vous transportez le VTT :

- Coupez le moteur et retirez la clé de contact pour ne pas la perdre lors du transport.
- Assurez-vous que le bouchon du réservoir de carburant est bien place et bien fermé.
- Assurez-vous que les sièges sont bien installés et solidement fixés.
- Placez le levier des vitesses dans n'importe quelle position, sauf « P » stationnement, puis bloquez les roues avant et arrière pour empêcher le véhicule de bouger.
- Immobilisez solidement l'avant et arrière du châssis du VTT sur le véhicule de transport en utilisant des sangles d'arrimage appropriées pour empêcher le VTT de glisser ou de se déplacer.

ATTENTION

Ne transportez jamais avec le sélecteur de vitesse en position «P» de stationnement.
La transmission sera endommagée.

Ne jamais utiliser le treuil comme dispositif de fixation pour le transport. Le treuil sera endommagé.

DIAGNOSTIC DU VÉHICULE

Diagnostic des problèmes du véhicule

Cette section est destinée à guider un conducteur moyen sur les éléments simples qui pourraient poser des problèmes de conduite. Diagnostiquer des problèmes de véhicule peut exiger l'expérience d'un technicien qualifié. Veuillez contacter votre concessionnaire si la solution d'un problème n'est pas évidente.

Le moteur ne démarre pas

Cause possible de la défaillance	Comment éviter la défaillance
Mauvaise performance du moteur	Vérifiez si la bougie est encrassée ou s'il y a des corps étrangers dans le réservoir d'essence, les canalisations d'essence ou l'accélérateur. Contactez votre concessionnaire pour la réparation.
Disjoncteur ouvert ou fusible grillé	Réinitialisez le disjoncteur ou remplacez le fusible
Faible tension de la batterie	Rechargez la batterie à 12,8 V c.c.
Connexions de batterie desserrées	Vérifiez toutes les connexions et resserrez au besoin
Connexions du solénoïde desserrées	Vérifiez toutes les connexions et resserrez au besoin

Cognements ou cliquetis du moteur

Cause possible de la défaillance	Comment éviter la défaillance
Carburant de mauvaise qualité ou à faible indice d'octane	Remplacez par de l'essence avec l'indice d'octane recommandé
Réglage du calage de l'allumage incorrect	Contactez votre concessionnaire
Écartement des électrodes ou valeur thermique incorrects	Régalez l'écartement selon les spécifications ou remplacez la bougie

DIAGNOSTIC DU VÉHICULE

Le moteur tourne mais ne démarre pas

Cause possible de la défaillance	Comment éviter la défaillance
Pas de carburant	Faites le plein de carburant
Robinet d'essence ou filtre à carburant colmaté	Vérifiez et nettoyez, ou remplacez au besoin
Présence d'eau dans le carburant	Vidangez le circuit d'alimentation en carburant et refaites le plein
Robinet d'essence inopérant	Remplacez
Carburant vieux ou non recommandé	Remplacez par du carburant frais
Bougie encrassée ou défectueuse	Vérifiez la bougie et remplacez au besoin
Pas d'étincelle à la bougie	Vérifiez la bougie, vérifiez que l'interrupteur d'arrêt du moteur est en position ON
Présence d'eau ou carburant dans le carter moteur	Allez immédiatement voir votre concessionnaire
Usage abusif du volet de départ	Vérifiez, nettoyez et/ou remplacez la bougie d'allumage
Injecteur de carburant colmaté	Nettoyez ou remplacez par un nouvel injecteur
Faible tension de la batterie	Rechargez la batterie à 12,8 V c.c.
Panne mécanique	Contactez votre concessionnaire

DIAGNOSTIC DU VÉHICULE

Retour de flamme du moteur

Cause possible de la défaillance	Comment éviter la défaillance
Faible étincelle à la bougie d'allumage	Vérifiez et remplacez la bougie
Écartement des électrodes ou valeur thermique incorrects	Réglez l'écartement selon les spécifications ou remplacez la bougie
Carburant vieux ou non recommandé	Remplacez par du carburant frais
Fils de bougie mal installés	Contactez votre concessionnaire
Réglage du calage d'allumage incorrect	Contactez votre concessionnaire
Panne mécanique	Contactez votre concessionnaire

Le moteur a un fonctionnement irrégulier, des ratés d'allumage ou cale

Cause possible de la défaillance	Comment éviter la défaillance
Bougie encrassée ou défectueuse	Vérifiez et remplacez la bougie si nécessaire
Fils de bougie usés ou défectueux	Contactez votre concessionnaire
Écartement des électrodes ou valeur thermique incorrects	Réglez l'écartement selon les spécifications ou remplacez la bougie
Connexions des câbles d'allumage desserrées	Vérifiez toutes les connexions et resserrez-les
Présence d'eau dans le carburant	Remplacez par du carburant frais
Trop basse tension de la batterie	Rechargez la batterie à 12,8 V c.c.

DIAGNOSTIC DU VÉHICULE

Le moteur a un fonctionnement irrégulier, des ratés d'allumage ou cale (suite)

Cause possible de la défaillance	Comment éviter la défaillance
Conduit d'aération du réservoir d'essence déformé ou obstrué	Vérifiez et remplacez
Mauvais carburant utilisé	Remplacez par du carburant recommandé
Filtre à air obstrué	Vérifiez et nettoyez ou remplacez
Dysfonctionnement du limiteur de vitesse arrière	Contactez votre concessionnaire
Dysfonctionnement de la commande électronique des gaz	Contactez votre concessionnaire
Autre défectuosité mécanique	Contactez votre concessionnaire
Mélange de carburant possiblement pauvre ou trop riche	Contactez votre concessionnaire
Carburant trop bas ou contaminé	Ajoutez du carburant ou changez le carburant; nettoyez le circuit d'alimentation de carburant
Carburant à indice d'octane trop bas	Remplacez par du carburant recommandé
Filtre à carburant colmaté	Remplacez le filtre
Carburant à indice d'octane trop élevé	Remplacez par du carburant sans plomb avec un indice d'octane inférieur

DIAGNOSTIC DU VÉHICULE

Le moteur s'arrête ou perd de la puissance

Cause possible de la défaillance	Comment éviter la défaillance
En panne d'essence	Ravitailer
Conduite de ventilation de carburant pliée ou bouchée	Inspecter et remplacer
Eau présente dans le carburant	Remplacer par du carburant neuf
Bougies d'allumage encrassées ou défectueuses	Inspecter, nettoyer et/ou remplacer les bougies d'allumage
Fils de bougie usés ou défectueux	Consultez votre revendeur
Écart de bougie ou plage thermique incorrect	Réglez l'écart par rapport aux spécifications ou remplacez les bouchons
Connexions d'allumage desserrées	Vérifiez toutes les connexions et serrez
Tension de batterie faible	Recharger la batterie à 12,8 Vdc
Filtre à air bouché	Inspecter et nettoyer ou remplacer
Dysfonctionnement du limiteur de vitesse en marche arrière	Consultez votre revendeur
Dysfonctionnement de la commande électronique des gaz	Consultez votre revendeur
Autre panne mécanique	Consultez votre revendeur

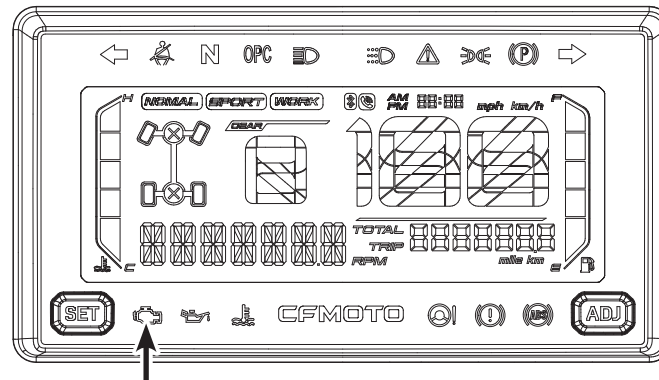
ENTRETIEN

Voyant d'anomalie du système d'injection électronique (EFI)

Le système d'injection électronique (EFI) sur votre véhicule comprend une fonction d'autodiagnostic qui allumera le voyant d'anomalie de fonctionnement (MIL) s'il détecte un problème. Lorsque le voyant de cet indicateur est allumé, le code d'erreur s'affichera directement sur le tableau de bord. Prenez note de ce code d'erreur et contactez votre concessionnaire pour un diagnostic. Votre concessionnaire dispose d'un outil spécial EFI pour diagnostiquer, réparer et réinitialiser les codes de panne.

Lorsque le système EFI fonctionne correctement, l'indicateur EFI est éteint.

REMARQUE : Le connecteur à 16 broches du système de diagnostic embarqué (OBD), situé sous le capot d'accès avant, comprend un bouchon d'OBD avec un circuit interne de connexion temporaire. Le bouchon d'OBD doit rester en place, sinon il empêchera l'affichage du régime moteur (tr/min) ou de la température de liquide de refroidissement. Ne perdez pas et n'égariez pas ce bouchon.

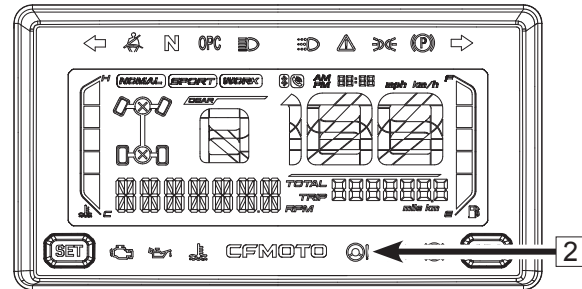
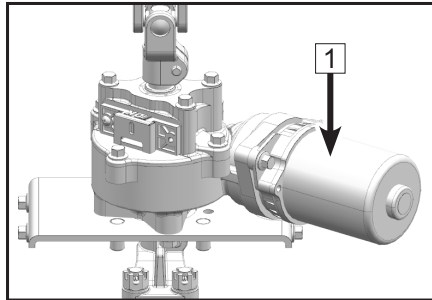


Voyant d'anomalie de fonctionnement EFI

ENTRETIEN

Voyant d'anomalie du système de direction assistée électronique (EPS)

Le système de direction assistée électronique (EPS) **1** de votre véhicule contient une fonction d'autodiagnostic qui allumera l'indicateur de défaillance (MIL) **2** s'allume dès que le contacteur d'allumage est tourné à la position « ON », mais l'EPS **1** ne fonctionnera pas. C'est uniquement lorsque le moteur a démarré, et le voyant éteint, que l'EPS commencera à fonctionner.



ENTRETIEN

Code de panne

Chaque code d'anomalie se compose de 2 chiffres, indiqués par les temps de clignotement long et court de l'indicateur EPS. Les temps de clignotement long représentent le chiffre des dizaines.

Les temps de flash court représentent un seul chiffre.

Durée du flash long : 2 sec.

Durée du flash court : 1 sec.

Intervalle de flash : 1 sec.

Le cycle de flash se répétera après que l'indicateur EPS s'éteigne pendant 3 secondes. Notez la séquence de flash et contactez votre revendeur pour un diagnostic. Votre concessionnaire dispose de l'outil spécial requis pour diagnostiquer, réparer et effacer les codes d'anomalie. Tous les codes disparaîtront une fois le problème diagnostiqué et réparé par votre revendeur.

ENTRETIEN

Diagnostic de défaillance du système (EPS) et solution

Ref No	Défaillance	Cause possible	Solution
1	Absence d'aide à la direction au guidon	Mauvaise connexion des fiches de raccordement	Vérifiez les fiches et les connexions
		Fusible grillé	Remplacez le fusible
		Défaillance du contrôleur, du moteur ou du capteur	Contactez votre concessionnaire et faites remplacer les pièces
2	Aide à la direction asymétrique pour la droite et la gauche	Tension de sortie incorrecte du capteur	Contactez votre concessionnaire pour un réglage ou un remplacement
		Défaillance du contrôleur, du moteur ou du capteur	Contactez votre concessionnaire et faites remplacer les pièces
3	La direction glisse	Le moteur est monté à l'envers	Permutez la connexion des fils noir et rouge sur les bornes
		Défaillance du contrôleur ou du capteur	Contactez votre concessionnaire et faites remplacer les pièces
4	Faible assistance de direction	Utilisation excessive du starter	Recharger ou remplacer la batterie
		Moteur en panne.	Contactez un revendeur agréé pour le remplacement
		Basse pression avec pneus avant	Gonflez les pneus à la pression requise
5	Bruit du système	Moteur en panne.	Inspecter, nettoyer et/ou remplacer les bougies d'allumage
		Les pièces du système de direction s'usent et il existe un grand jeu.	Remplacez les pièces associées.
		Assemblage incorrect de la colonne de direction ou des pièces de l'ensemble de direction mécanique	Vérifiez et serrez tous les boulons.

GARANTIE CFMOTO POUR LES ÉTATS-UNIS

**POUR LES PROPRIÉTAIRES
SITUÉS AU CANADA,
UN MANUEL DE GARANTIE EST
FOURNI SÉPARÉMENT.**

GARANTIE CFMOTO POUR LES ÉTATS-UNIS

Cher client :

Merci d'acheter un produit CFMOTO. Si un composant de votre véhicule s'avère défectueux en raison d'un vice de matériaux ou de fabrication alors qu'il est couvert par les modalités et conditions de cette garantie limitée, le composant défectueux sera réparé ou remplacé (au choix de CFMOTO) sans frais pour les pièces et/ou la main-d'œuvre chez n'importe quel concessionnaire autorisé partout aux États-Unis. La garantie limitée de CFMOTO est soumise aux conditions générales suivantes :

MODALITÉS ET CONDITIONS DE LA GARANTIE

1. DURÉE DE LA GARANTIE : La durée de la période de garantie est d'un (1) an à partir de la date d'achat du nouveau véhicule auprès d'un concessionnaire autorisé de CFMOTO POWERSPORTS, Inc. La couverture de cette garantie se prévaut de l'achat et de l'utilisation des véhicules CFMOTO seulement à l'intérieur des États-Unis continentaux. Durant la période de la garantie, CFMOTO POWERSPORTS, Inc. couvrira les coûts des pièces et de la main-d'œuvre engagés par un concessionnaire autorisé de CFMOTO POWERSPORTS, Inc. résultant d'un vice de matériau et/ou de fabrication d'un véhicule de CFMOTO. Tout véhicule utilisé à des fins commerciales verra sa période de garantie réduite à six (6) mois. CFMOTO POWERSPORTS, Inc. couvre le remplacement complet du moteur ou un remplacement complet du véhicule en vertu de cette garantie. La période de garantie ne peut être prolongée et demeure la même que celle établie à la date d'achat originale du véhicule visé.

2. LIMITATIONS DE LA GARANTIE : CFMOTO POWERSPORTS, Inc. offre une garantie d'un (1) an sur toutes les pièces et la main-d'œuvre pour tous ses nouveaux VTT CFMOTO. Cependant, la couverture, les exceptions et les limitations suivantes s'appliquent à tous les véhicules CFMOTO :

GARANTIE CFMOTO POUR LES ÉTATS-UNIS

A. Une période de couverture de GARANTIE DE 30 JOURS s'applique à tous les véhicules CFMOTO neufs en ce qui concerne :

- Batterie
- Bougies
- Filtres à air
- Filtres à huile et à carburant

B. Une période de couverture de GARANTIE DE 90 JOURS s'applique à tous les véhicules CFMOTO neufs en ce qui concerne :

- Courroie d'entraînement
- Changement de vitesse, TVC et embrayage humide
- Câbles d'accélérateur et de freins
- Jantes avant/arrière
- Pneus avant/arrière
- Plaquettes ou sabots de frein avant/arrière
- Disques ou tambours de frein avant/arrière
- Roulements et joints de roue ou de colonne de direction
- Pièces, supports du moteur, poignées et soufflets en caoutchouc
- Leviers de frein ou d'embrayage
- Panneaux ou chevilles de plancher
- Treuil de VTT (si équipé)
- Ampoules/fusibles
- Parties plastiques de la carrosserie et défauts superficiels

CFMOTO LIMITED WARRANTY FOR USA

- 3. EXCLUSIONS DE LA GARANTIE :** Tout dommage attribuable aux actes ou circonstances ci-après n'est pas couvert par la garantie limitée de CFMOTO POWERSPORTS, Inc. :
- Incendie
 - Collision
 - Vol
 - Catastrophes naturelles inévitables
 - Remisage ou transport inadéquats
 - Non-respect ou négligence du programme d'entretien périodique du véhicule
 - Utilisation ou conduite inadéquate ou négligente du véhicule
 - Réparation ou réglages non autorisés
 - Modifications ou améliorations de la performance non autorisées
 - Utilisation du véhicule comme véhicule de location
 - Utilisation du véhicule dans des courses ou des compétitions
- 4. ENTRETIEN ET MAINTENANCE DU VÉHICULE :** Le propriétaire du véhicule doit correctement utiliser, entretenir et maintenir le véhicule conformément aux procédures décrites dans le Manuel du propriétaire de CFMOTO POWERSPORTS, Inc. Toute réparation sous garantie doit être réalisée exclusivement par des concessionnaires autorisés de CFMOTO POWERSPORTS, Inc. Tout travail sous garantie effectué par une personne ou entreprise autre qu'un concessionnaire autorisé de CFMOTO ne sera pas couvert par la garantie limitée de CFMOTO POWERSPORTS, Inc.

GARANTIE CFMOTO POUR LES ÉTATS-UNIS

- 5. TRANSFERT OU MAINTIEN DE LA GARANTIE :** Cette garantie est transférable seulement dans les conditions suivantes :
- Les informations sur le transfert doivent être fournies à un concessionnaire autorisé de CFMOTO POWERSPORTS, Inc., qui les fera suivre à CFMOTO POWERSPORTS, Inc.;
 - Le modèle et le numéro de série complets tels qu'ils sont inscrits sur le document original de garantie doivent être fournis.
 - Le nom et l'adresse du propriétaire actuel et du nouveau propriétaire doivent être fournis.
 - La date de livraison originale du véhicule doit être fournie.
 - Le nouveau (la nouvelle) propriétaire doit indiquer par écrit qu'il (elle) a reçu et lu le Manuel du propriétaire et la garantie de CFMOTO POWERSPORTS, Inc.
- 6. ENREGISTREMENT DE LA GARANTIE :** Le concessionnaire doit remplir un formulaire EAL (Examen avant livraison) et enregistrer la garantie du véhicule en ligne, et il doit fournir le document dûment complété de l'immatriculation du véhicule à CFMOTO POWERSPORTS, Inc., dans les sept (7) jours de la vente confirmée du véhicule. *Veillez noter qu'AUCUNE réclamation de garantie ne sera traitée à moins que le formulaire d'enregistrement en ligne de la garantie du produit soit dûment complété et que le formulaire envoyé par le concessionnaire ait été reçu par CFMOTO POWERSPORTS, Inc.*
- 7. RESPONSABILITÉS DU CONCESSIONNAIRE :** Un concessionnaire autorisé de CFMOTO doit effectuer toutes les réparations couvertes par la garantie sans aucun frais facturé au client, même s'il n'est pas le concessionnaire qui a vendu le véhicule CFMOTO au client, et il doit utiliser des pièces d'origine de CFMOTO pour toutes les réparations sous garantie. Tous les véhicules vendus par le concessionnaire doivent être inspectés et testés par le concessionnaire pour garantir qu'ils sont en bonne condition d'utilisation, avant la livraison au client. Aucun véhicule ne peut être livré à un client avant d'avoir, au préalable, fait l'objet d'une inspection et d'un test de fonctionnement du concessionnaire.

GARANTIE CFMOTO POUR LES ÉTATS-UNIS

8. ASSISTANCE AU CLIENT : Toute question ou préoccupation à propos de votre véhicule CFMOTO ou de produits CFMOTO connexes doit être adressée à un concessionnaire autorisé de CFMOTO. Toutefois, si un concessionnaire est dans l'impossibilité de répondre aux préoccupations du client ou à un problème de produit, le client peut communiquer directement avec le service à la clientèle de CFMOTO POWERSPORTS par téléphone en signalant (763) 398-2690 ou par courriel à l'adresse : info@cfmotousa.com. Veuillez noter que le service à la clientèle ne peut ni approuver, ni refuser la garantie, et ne peut fournir aucun renseignement technique sur une réparation, ni aucun diagnostic, des instructions ou d'autres informations au-delà de ce qui est fourni dans le Manuel du propriétaire.

9. USAGE COMMERCIAL : La durée de la garantie pour un usage commercial (sans location) est limitée à une période de six (6) mois.

10. PNEUS MONTÉS EN ÉQUIPEMENT D'ORIGINE : Autres que ceux couverts par cette garantie, les pneus du véhicule fournis en tant qu'équipement d'origine sont garantis séparément par le fabricant individuel des pneus ou ses représentants.

11. CLAUSE DE NON-GARANTIE : AUCUNE GARANTIE EXPRESSE N'EST FOURNIE PAR CFMOTO POWERSPORTS, INC. EN CE QUI CONCERNE LES VÉHICULES DE CFMOTO, SAUF SI UNE TELLE GARANTIE EST SPÉCIFIQUEMENT ÉNONCÉE DANS LA PRÉSENTE. TOUTE GARANTIE TACITE, GARANTIE DE QUALITÉ MARCHANDE, GARANTIE D'ADAPTATION À UN USAGE PARTICULIER, ET TOUTES LES GARANTIES TACITES DÉRIVANT D'OPÉRATIONS COMMERCIALES, D'UN USAGE DU COMMERCE, EN VERTU DE LA LOI OU AUTREMENT, SONT STRICTEMENT LIMITÉES AUX MODALITÉS ET CONDITIONS DE LA PRÉSENTE GARANTIE LIMITÉE ÉCRITE.

GARANTIE CFMOTO POUR LES ÉTATS-UNIS

12. INTÉGRALITÉ : Cette garantie limitée remplace toutes les autres garanties orales, expresses ou écrites, de même que les déclarations ou entreprises qui auraient pu avoir été faites précédemment, et contient l'intégralité de l'accord des parties relativement à la garantie des véhicules de CFMOTO. Toutes les garanties non contenues dans cet accord en sont expressément exclues. Cette garantie est offerte à chaque propriétaire original (et les propriétaires ultérieurs) de tout véhicule tout-terrain de CFMOTO, pour la durée de la période de garantie originale. Cette garantie limitée sera le seul recours exclusif possible pour le client en ce qui concerne le véhicule garanti de CFMOTO. En cas de violation prétendue d'une garantie quelle qu'elle soit, ou d'une poursuite en justice intentée par le client sur la base d'une prétendue négligence ou autre inconduite par CFMOTO POWERSPORTS Inc., ou ses sociétés affiliées, le seul et exclusif recours du client sera une réparation ou un remplacement des composants défectueux comme énoncé ci-dessus, sauf disposition contraire de la loi. Certains États n'autorisent pas de limitation à la durée d'une garantie tacite, ce qui fait que les limitations ci-dessus peuvent ne pas s'appliquer si elles sont jugées contraires à la législation des États respectifs.

GARANTIE CFMOTO POUR LES ÉTATS-UNIS

**DÉCLARATION DE GARANTIE SELON LES NORMES CALIFORNIENNES
SUR LE RECYCLAGE DES VAPEURS DE CARBURANT
DROITS ET OBLIGATIONS DU PROPRIÉTAIRE EN VERTU DE LA GARANTIE**

INTRODUCTION:

Le California Air Resources Board (CARB) et CFMOTO Powersports, Inc. (CFMOTO) se font un plaisir d'expliquer la garantie du recyclage des vapeurs de carburant qui s'applique aux véhicules récréatifs hors route (VRHR) de 2020 et des années ultérieures. En Californie, les nouveaux véhicules récréatifs hors route doivent être conçus, construits et équipés de façon à satisfaire aux strictes normes anti-pollution de l'État. CFMOTO doit garantir le recyclage des vapeurs de carburant de votre VRHR pour la durée stipulée ci-dessous, à condition que votre véhicule n'ait pas fait l'objet d'abus, de négligence ou d'entretien inadéquat qui provoqueraient une défaillance du système anti-pollution.

Le système de recyclage des vapeurs de carburant peut inclure des pièces telles que : systèmes d'injection de carburant, systèmes de commande électronique, réservoirs de carburant, conduites de carburant, bouchons de réservoir de carburant, soupapes, réservoirs à charbon actif, filtres, tuyaux de vapeur, courroies, brides, connecteurs, et d'autres composants associés au recyclage des vapeurs de carburant. S'il s'agit d'une condition sous garantie, CFMOTO réparera votre VRHR gratuitement, y compris le diagnostic, les pièces et la main-d'œuvre.

PÉRIODE DE GARANTIE DU FABRICANT :

La période de garantie pour ce VRHR est de 30 mois, ou 2500 miles, ou 250 heures, selon la première éventualité, sauf pour les pièces « coûteuses » garanties, qui sont couvertes pour une période de 60 mois, ou 5000 miles, ou 500 heures, selon la première éventualité. Toute pièce relative au recyclage des vapeurs de carburant qui s'avère défectueuse sera réparée ou remplacée par CFMOTO.

GARANTIE CFMOTO POUR LES ÉTATS-UNIS

RESPONSABILITÉS DU PROPRIÉTAIRE EN VERTU DE LA GARANTIE :

À titre de propriétaire du VRHR, vous êtes tenu d'effectuer l'entretien tel qu'il est indiqué dans le Manuel du propriétaire. CFMOTO vous conseille de conserver tous les reçus relatifs à l'entretien de votre VRHR, mais CFMOTO ne peut pas refuser les réclamations sous garantie seulement en raison de l'absence de reçus ou de votre non-respect à assurer la mise en œuvre d'un entretien programmé.

En tant que propriétaire, vous êtes tenu de présenter votre VRHR à un concessionnaire de CFMOTO dès qu'un problème apparaît. Les réparations sous garantie doivent être effectuées dans un délai raisonnable ne dépassant pas 30 jours. À titre de propriétaire de VRHR, vous devez également savoir que CFMOTO pourrait vous refuser la garantie si votre VRHR ou une de ses pièces s'avère défectueux par suite d'un usage abusif, d'une négligence, d'un mauvais entretien ou de modifications non approuvées.

GARANTIE CFMOTO POUR LES ÉTATS-UNIS

PIÈCES SOUS GARANTIE :

La réparation ou le remplacement de toute pièce sous garantie ou admissible à la garantie, peut être exclu(e) de cette garantie si CFMOTO démontre que le VRHR a fait l'objet d'abus, de négligence, de mauvais entretien et qu'un tel abus, une telle négligence, ou un tel mauvais entretien a été la cause directe de la nécessité de réparer ou de remplacer ladite pièce. Néanmoins, tout ajustement d'une pièce ou composant muni d'un dispositif de limitation de réglage installé en usine et en bon état de fonctionnement, reste admissible à la garantie. Les pièces couvertes au titre de la garantie anti-pollution sont indiquées dans la liste ci-après :

- Réservoir de carburant[§]
- Bouchon du réservoir de carburant
- Conduites de carburants
- Raccords de conduite de carburant
- Brides
- Clapets de décharge de pression*
- Soupapes de commande*
- Solénoïdes de commande*
- Commandes électroniques*
- Module de commande électronique *\$
- Membranes de contrôle du vide*
- Câbles de commande*
- Tringleries de commande*
- Soupapes de purge
- Tuyaux de vapeur
- Séparateur de liquide/vapeur
- Réservoir à charbon actif
- Supports de réservoir

*Pièces reliées au recyclage des vapeurs de carburant installées sur le véhicule ; \$=pièces coûteuses garanties.

GARANTIE CFMOTO POUR LES ÉTATS-UNIS

L'ENLÈVEMENT OU LA MODIFICATION DE PIÈCES RELIÉES AU RECYCLAGE DES VAPEURS DE CARBURANT SUR CE VRHR EST ILLÉGALE. LES CONTREVENANTS PEUVENT ÊTRE PASSIBLES DE POURSUITES CIVILES ET/OU CRIMINELLES TELLES QUE PRÉVUES EN VERTU DE LA LOI CALIFORNIENNE ET FÉDÉRALE.

Si vous avez des questions à propos de vos droits et responsabilités quant à la garantie, vous devez communiquer avec CFMOTO en faisant le 763 398-2690 ; 555 Holly Lane N. Suite #30 Plymouth, MN 55447, ou avec le California Air Resources Board at 9528 Telstar Avenue, El Monte, CA 91731.

Garantie limitée de la EPA et du CARB aux É.-U. en matière de lutte contre les émissions

Cette garantie limitée relative à la lutte contre les émissions s'ajoute à la garantie limitée standard de CFMOTO Powersports, Inc. couvrant votre véhicule. CFMOTO Powersports, Inc. garantit que, au moment de l'achat initial, ce véhicule est conçu, construit et équipé d'une manière conforme aux règlements en vigueur de l'Agence américaine pour la protection de l'environnement (EPA) et le California Air Resources Board (CARB) (règlements sur les émissions polluantes). CFMOTO Powersports, Inc. garantit également que le véhicule est exempt de vice de matériaux et de fabrication qui pourraient entraîner la non-conformité à ces règlements.

La période de garantie pour ce véhicule conforme aux normes anti-pollution débute à la date de l'achat effectué par l'acheteur initial et prend fin après 500 heures de fonctionnement du moteur, 5000 km (3100 mi) de conduite du véhicule ou 30 mois civils suivant l'achat, selon la première occurrence. Cette garantie limitée sur les émissions du moteur couvre les composants dont la défectuosité augmente les émissions réglementées du véhicule, ainsi que les composants des systèmes dont le seul but consiste à lutter contre les émissions. La responsabilité de remplacer ou de réparer d'autres composants non couverts par cette garantie revient au propriétaire du véhicule. Cette garantie limitée sur les émissions du moteur ne couvre pas les composants dont la défectuosité n'augmente pas les émissions réglementées du véhicule.

GARANTIE CFMOTO POUR LES ÉTATS-UNIS

En ce qui concerne les émissions polluantes d'échappement, les composants reliés aux émissions comprennent toutes les pièces du moteur associées aux systèmes suivants :

- Système d'admission d'air (sauf les filtres)
- Système d'alimentation de carburant (sauf les filtres)
- Système d'allumage (sauf les bougies)
- Système de recirculation de gaz d'échappement

Les pièces suivantes sont aussi considérées comme des composants reliés aux émissions polluantes d'échappement :

- Appareils de traitement secondaire
- Capteurs
- Soupapes de ventilation du carter moteur
- Blocs de commande électronique

Les pièces suivantes sont considérées comme des composants reliés aux émissions de vapeurs de carburant :

- Réservoir de carburant
- Membranes de contrôle du vide*
- Bouchon du réservoir de carburant
- Câbles de commande*
- Conduite de carburant
- Tringleries de commande*
- Raccords de la conduite de carburant
- Soupapes de purge
- Brides*
- Tuyaux de vapeur
- Soupape de décharge de pression*
- Séparateur de liquide/vapeur
- Soupapes de commande*
- Réservoir à charbon actif
- Solénoïdes de commande*
- Supports de réservoir
- Commandes électroniques*
- Connecteur d'orifice de purge du carburateur

* Pièces reliées au système de recyclage des vapeurs de carburant.

GARANTIE CFMOTO POUR LES ÉTATS-UNIS

LES RECOURS ÉNONCÉS DANS CETTE GARANTIE LIMITÉE SONT LES SEULS RECOURS DISPONIBLES POUR TOUTE PERSONNE EN CAS DE VIOLATION DE CETTE GARANTIE. CFMOTO POWERSPORTS, INC. NE SERA PAS RESPONSABLE ENVERS TOUTE PERSONNE POUR LES DOMMAGES ACCESSOIRES, CONSÉCUTIFS OU SPÉCIAUX DE TOUTE DESCRIPTION, QU'ILS DÉCOULENT D'UNE GARANTIE EXPRESSE OU IMPLICITE OU DE TOUT AUTRE CONTRAT, NÉGLIGENCE OU AUTRE DÉLIT OU AUTRE. CETTE EXCLUSION DES DOMMAGES CONSÉCUTIFS, ACCESSOIRES ET SPÉCIAUX EST INDÉPENDANTE ET SURVIVRA À TOUT CONSTATATION QUE LE RECOURS EXCLUSIF A ÉCHOUÉ DE SON OBJECTIF ESSENTIEL.

TOUTES LES GARANTIES IMPLICITES (Y COMPRIS, MAIS SANS LIMITATION, TOUTES GARANTIES IMPLICITES DE QUALITÉ MARCHANDE ET D'ADAPTATION À UN USAGE PARTICULIER) SONT LIMITÉES EN DURÉE À LA PÉRIODE DE GARANTIE DÉCRITE ICI. CFMOTO POWERSPORTS, INC. DÉCLINE TOUTE GARANTIE EXPRESSE NON DÉCLARÉE DANS CETTE GARANTIE.

GARANTIE CFMOTO POUR LES ÉTATS-UNIS

LA DURÉE DE TOUTES LES GARANTIES IMPLICITES (Y COMPRIS, MAIS NON DE FAÇON LIMITATIVE, TOUTES GARANTIES IMPLICITES DE QUALITÉ MARCHANDE ET D'ADÉQUATION À UN USAGE PARTICULIER) EST LIMITÉE À LA PÉRIODE DE GARANTIE DÉCRITE DANS LES PRÉSENTES. CFMOTO POWERSPORTS, INC. DÉCLINE TOUTE GARANTIE EXPLICITE NON STIPULÉE DANS LA PRÉSENTE GARANTIE.

Certains états ne permettent aucune limitation de durée d'une garantie implicite; il est possible que la limitation ci-dessus ne s'applique pas à une situation si elle est incompatible avec les lois en vigueur. La garantie limitée exclut toute panne qui n'est pas causée par un vice de matériau ou de fabrication. Cette garantie limitée ne couvre pas les dommages accidentels, ni ceux dus à un emploi abusif ou incorrect, un entretien ou un usage incorrects. Cette garantie limitée ne couvre pas non plus un moteur dont la structure a été modifiée ou si le véhicule a été utilisé dans une course ou une compétition. Cette garantie limitée ne couvre pas non plus les dommages physiques, la corrosion ou les défauts dus à un incendie, une explosion ou à toute autre cause indépendante de la volonté de CFMOTO Powersports, Inc. Les propriétaires sont responsables d'effectuer l'entretien prévu indiqué dans le manuel d'utilisation. CFMOTO Powersports, Inc. peut refuser des réclamations au titre de la garantie pour des défaillances causées par un entretien ou un usage inapproprié de la part du propriétaire ou du conducteur, ou par un accident pour lequel CFMOTO Powersports, Inc. n'a aucune responsabilité, ou par une catastrophe naturelle. Tout atelier de réparation reconnu ou toute personne qualifiée peut faire l'entretien, remplacer ou réparer les appareils ou systèmes de lutte contre les émissions de ce véhicule. CFMOTO Powersports, Inc. recommande que vous vous adressiez à un concessionnaire agréé de CFMOTO Powersports, Inc. pour effectuer tous les entretiens requis pour ce véhicule. CFMOTO Powersports, Inc. recommande également l'usage de pièces originales de CFMOTO Powersports, Inc. L'offre de pièces limitant l'efficacité du système de lutte contre les émissions de la part d'un fournisseur du marché de pièces de rechange, constitue un abus potentiel de la Loi sur l'assainissement de l'air. L'altération non autorisée du système de lutte contre les émissions est interdite par la loi fédérale.

Si vous avez des questions à propos de vos droits et responsabilités quant à la garantie, veuillez communiquer avec CFMOTO Powersports, Inc. en faisant le 888 823-6686.

GARANTIE CFMOTO POUR LES ÉTATS-UNIS

Système de lutte contre le bruit et altération du système

Durée de la garantie : 1865 milles (3000 km)

La loi fédérale interdit ce qui suit :

(1) À quiconque de déposer ou de rendre inopérant, sauf à des fins d'entretien, de réparation ou de remplacement, tout dispositif ou élément de la conception incorporé dans un véhicule neuf dans le but de réduire le bruit, avant sa vente ou sa livraison à l'acheteur final ou pendant son utilisation, ou :

(2) L'utilisation du véhicule après qu'un tel dispositif ou élément de conception ait été déposé ou rendu inopérant par quiconque.

PARMI LES ACTES PRÉSUMÉS CONSTITUER UNE ALTÉRATION DU SYSTÈME,
ON COMPTE LES ACTES CI-APRÈS :

De tels actes incluent l'altération (c.-à-d., modification, dépose, etc.) des systèmes suivants :

Système d'échappement :

- Pot d'échappement
- Échappement
- Silencieux

Système d'admission :

- Boîtier du filtre à air
- Élément de filtre à air
- Conduit d'admission

GARANTIE CFMOTO POUR LES ÉTATS-UNIS

Changement de propriétaire

Si vous vendez votre véhicule, toute la période restante valide de la garantie peut être transférée au nouveau propriétaire. Veuillez enregistrer les détails de l'échange dans le formulaire ci-dessous et informer un concessionnaire autorisé de CFMOTO :

Changement de propriétaire	Acheteur original	2° propriétaire	3° propriétaire	4° propriétaire
Nom du propriétaire				
Adresse				
Ville				
Province / code postal				
Téléphone				
Courriel				
Date d'achat				
Kilométrage				
Signature de nouveau propriétaire				

NOTE: Si le formulaire de Changement de propriétaire rempli n'inclut pas les détails requis ou s'il est imprécis, CFMOTO se réserve le droit de faire enquête sur le propriétaire réel du produit et l'historique de l'entretien et des réparations, et de refuser éventuellement la demande de transfert de garantie si les conditions n'ont pas été respectées.

Application CFMOTO RIDE / Boitier Télématique

CFMOTO RIDE est une plate-forme de services mobiles intelligente, en réseau, dont le cœur est l'interconnexion homme-véhicule. CFMOTO RIDE s'engage à fournir des services complets en ligne aux passionnés de sport automobile.

Le module télématique, ou T-BOX, est un terminal de véhicule intelligent qui crée un pont de communication entre les propriétaires et les véhicules via l'application CFMOTO RIDE. Lorsque la T-BOX est équipée, le propriétaire peut profiter des fonctionnalités intelligentes du CFMOTO RIDE.

Le module télématique est facultatif sur certains marchés. Vérifiez auprès de votre concessionnaire pour déterminer si votre véhicule est équipé de la télématique (T-BOX), ou téléchargez l'application CFMOTO RIDE, envoyez votre question via l'option [feedback] et CFMOTO vérifiera pour vous.



Application CFMOTO RIDE

Scannez le code QR pour télécharger l'application CFMOTO RIDE depuis l'App Store d'Apple pour iPhone ou Google Play pour Android.



CFMOTO RIDE Facebook

Scannez le code QR pour suivre CFMOTO RIDE sur Facebook et soyez le premier à recevoir des notifications sur les mises à jour et les actualités de l'application.



Site Web CFMOTO RIDE

Scannez le code QR pour explorer la plateforme intelligente CFMOTO RIDE sur le site Web mondial CFMOTO.

CFMOTO RIDE fournit diverses fonctionnalités intelligentes telles que le manuel du propriétaire du véhicule, les détails de conduite, la navigation, les mises à jour Over-The-Air (OTA), la géolocalisation, les rappels statiques, etc. Les fonctionnalités disponibles varient en fonction de la configuration du véhicule/modèle et des exigences du marché mondial. Veuillez télécharger CFMOTO RIDE et profiter de l'expérience de conduite intelligente !



MANUFACTURED BY / FABRIQUÉ PAR :

ZHEJIANG CFMOTO POWER CO., LTD.

NO.116, Wuzhou Road, Yuhang Economic Development
Zone, Hangzhou 311100, Zhejiang Province, China

Tel / Tél : 86-571-86258863

Fax : +86-571-89265788

E-mail : service@cfmoto.com.cn
global.cfmoto.com

DISTRIBUTED BY / DISTRIBUÉ PAR:

CFMOTO POWERSPORTS INC.

5005 Nathan Lane N.
Plymouth MN, 55442 USA

Toll free / Sans frais : (888) 8-CFMOTO (823-6686)

Tel / Tél : 763 398-2690 Fax : 763 398-2695
cfmoto.ca

DISTRIBUTED BY / DISTRIBUÉ PAR:

CANADA MOTOR IMPORT INC.

24, rue Industrielle
Saint-Benoît-Labre (Québec)
CANADA G0M 1P0

Tel / Tél. : 418 227-2077
cfmoto.ca