



Husqvarna®



350BT, 350BF

EN Operator's manual
ES-MX Manual de usuario
FR-CA Manuel d'utilisation

2-17
18-35
36-52

Contents

Introduction.....	2	Troubleshooting.....	13
Safety.....	4	Transportation and storage.....	14
Assembly.....	6	Technical data.....	15
Operation.....	8	Warranty.....	16
Maintenance.....	11		

Introduction

California Proposition 65

! WARNING!

The engine exhaust from this product contains chemicals known to the State of California to cause cancer, birth defects or other reproductive harm.

We have a policy of continuous product development and therefore reserve the right to modify the design and appearance of products without prior notice.

Intended use

Use the product to blow leaves and other unwanted material from areas such as lawns, pathways and asphalt roads.

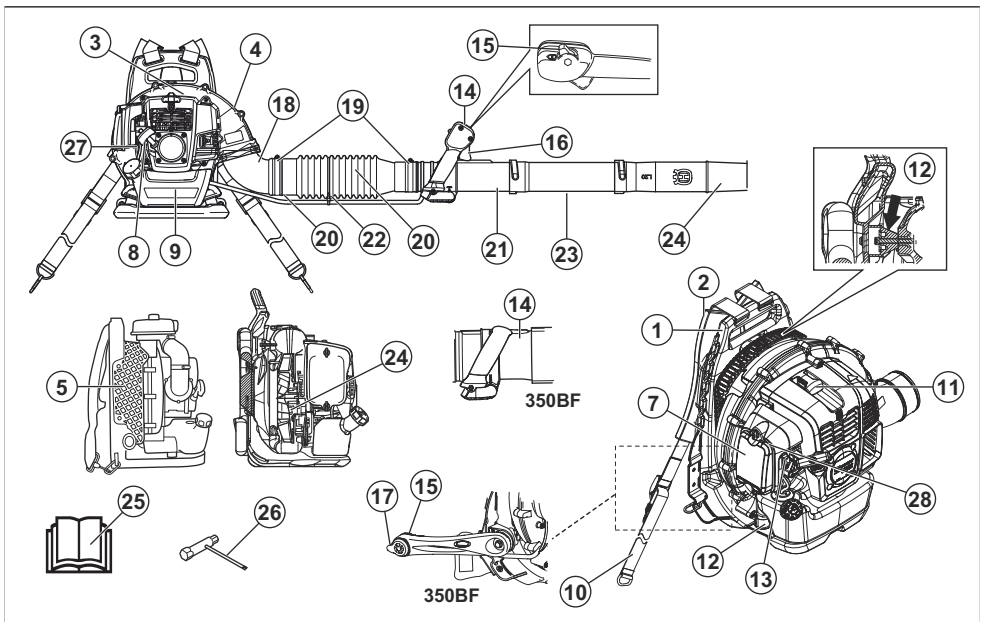
Canada EMC

This spark ignition system complies with the Canadian standard ICES-002.

Product description

This product is a backpack blower with a fuel engine.

Product overview



1. Frame
2. Harness
3. Engine cover
4. Fan cover
5. Air intake screen
6. Fan
7. Air filter
8. Starter rope handle
9. Fuel tank
10. Waist belt
11. Spark plug
12. Vibration damping system
13. Choke control
14. Control handle
15. Start/stop switch with throttle control (350BT)/Stop switch (350BF)
16. Throttle trigger
17. Throttle lever (350BF)
18. Pipe angle
19. Clamp
20. Flexible hose
21. Control pipe
22. Cable clamp
23. Intermediate pipe
24. Blower nozzle
25. Operator's manual
26. Combination wrench
27. Air purge bulb
28. Idle speed screw



Air purge bulb.



Keep all body parts away from hot surfaces.



Choke, open position.



Choke, closed position.



Look out for thrown objects. Thrown objects can cause serious injury. Use personal protective equipment.



Keep a safety distance at a minimum of 15 m to persons or animals.

yyyyywwxxxx

The rating plate shows the serial number. **yyyyy** is the production year and **ww** is the production week.

Symbols on the product



WARNING! This product can be dangerous and cause serious injury or death to the operator or others. Be careful and use the product correctly.



Read the operator's manual carefully and make sure that you understand the instructions before use.



Use approved hearing protection and approved eye protection. If the environment contains dust, use a breathing mask.



Use approved protective gloves.



Mixture of gasoline and two-stroke oil.

Note: Other symbols/decals on the product refer to certification requirements for other commercial areas.

EPA III



The Emissions Compliance Period referred to on the Emission Compliance label indicates the number of operating hours for which the engine has been shown to meet Federal emissions requirement. Maintenance, replacement or repair of the emission control devices and system may be performed by any non-road engine repair establishment or individual.

EMISSION CONTROL LABEL ABBREVIATIONS

General:

CAL	California	EXH/EVP	Exhaust and Evaporative	REGS	Regulations
DISPL	Displacement	EVAP	Evaporative	SORE	Small off road engines
ECS	Emission control system	HRS	Hours	US EPA	United States Environmental Protection Agency

Exhaust emission control system:

ECM	Engine control module (Auto-tune)	OC	Oxidizing Catalyst
EM	Engine modification	TWC	Three way catalyst

Evaporative emission control systems:

C	Coextruded (Multilayer)	P	Treated HDPE or PE
N	Nylon	S	Sealed

Product liability

As referred to in the product liability laws, we are not liable for damages that our product causes if:

- the product is incorrectly repaired.
- the product is repaired with parts that are not from the manufacturer or not approved by the manufacturer.
- the product has an accessory that is not from the manufacturer or not approved by the manufacturer.
- the product is not repaired at an approved service center or by an approved authority.

Safety

Safety definitions

The definitions below give the level of severity for each signal word.



WARNING: Injury to persons.



CAUTION: Damage to the product.

Note: This information makes the product easier to use.

General safety instructions



WARNING: Read the warning instructions that follow before you use the product.

- Do not do changes to the product without approval from the manufacturer and always use original

accessories. Modifications and/or accessories that are not approved can result in serious injury or the death of the operator or others.

- Do not use a damaged product. Do the safety checks and maintenance given in this operator's manual. All other maintenance must be done by approved servicing personnel.
- All servicing and repair operations must be done by approved servicing personnel. If a part of the product is defective, speak to your servicing dealer.

Safety instructions for operation



WARNING: Read the warning instructions that follow before you use the product.

- This product can be dangerous and cause serious injury or death to the operator or others. Be careful and use the product correctly.
- Do an inspection of the product before use. Refer to *Maintenance on page 11*.
- Do not operate the product when you are tired, ill or under the influence of alcohol or other drugs that can decrease your vision, judgment or coordination.

- Install all covers and guards before use. To prevent electrical shock, make sure that the spark plug cap and ignition cable are not damaged.
- Do not touch the spark plug or ignition cable when the engine is on.
- Keep a safety distance at a minimum of 15 m to persons or animals. If persons, children or animals come nearer than 15 m, stop the product. Point the product away from persons, animals, open windows and other objects.
- Do not let children operate the product. Make sure that all operators read and understand the contents of this operator's manual.
- Keep hands or other objects away from the blower housing during operation. Rotating parts can cause serious injury.
- Do not use the product if the air intake screen is not installed. Always make sure that the air intake screen is installed and not damaged before use.
- If an emergency occurs, release the waist belt and chest belt of the harness and let the product fall.
- Obey national regulations and directives.
- Keep all body parts away from hot surfaces.
- This product produces an electromagnetic field during operation. This field may under some circumstances interfere with active or passive medical implants. To reduce the risk of serious or fatal injury we recommend persons with medical implants to consult their physician and the medical implant manufacturer before operating this product.
- Too much vibration can cause damage to the circulation or the nervous system. Speak to your physician if you have symptoms, for example numbness, loss of feeling, tingling, pricking, pain, loss of strength or changes in skin color in your fingers, hands or wrists.
- Look out for thrown objects. Thrown objects can cause serious injury.
- Do not use the product in bad weather, for example fog, rain, strong winds and too cold environments. To do work in bad weather can cause tiredness and dangerous conditions.
- Make sure that you can move and keep a stable position. Do a check of the work area for possible obstacles, for example rocks. Be careful if you operate the product on a slope.
- Do not put the product on the ground with the engine on.
- Do not operate the product from high positions, for example on a ladder.
- Make sure that you can always be heard if an accident occurs.
- Make sure that the exhaust fume outlet is not blocked. To prevent damage to the product, keep obstacles at a minimum distance of 50 cm from the exhaust fume outlet.
- Do not start the product indoors, in bad airflow or near flammable material. The engine exhaust fumes contain carbon monoxide, which can cause carbon

monoxide poisoning. The engine exhaust fumes are hot and can contain sparks which can start a fire.

Personal protective equipment



WARNING: Read the warning instructions that follow before you use the product.

- Use approved personal protective equipment when you use the product. Personal protective equipment cannot fully prevent injury but it can decrease the degree of injury. Speak to your dealer for more information.
- Use approved hearing protection. Long-term exposure to noise can result in permanent hearing damage.
- Use approved eye protection. If you use a visor, you must also use approved protective goggles. Approved protective goggles must agree with the ANSI Z87.1 standard in the USA or EN 166 in EU countries.
- Use protective gloves during operation and maintenance.
- Use protective boots or shoes with non-slip soles.
- Use clothing of strong fabric and of full length. Do not use jewelry or open shoes. To decrease the risk on injury, your clothing must be close-fitting but not limit your movements. Put your hair above your shoulders to prevent that your hair enters rotating parts or catches on branches.
- Use breathing protection when there is a risk of dust.
- Keep first aid equipment near.

Safety devices on the product



WARNING: Read the warning instructions that follow before you use the product.

- Do not use a product with defective safety devices.
- Do a check of the safety devices regularly. Refer to *Maintenance on page 11*.
- If the safety devices are defective, speak to your Husqvarna servicing dealer.

To do a check of the muffler



WARNING: Do not use a product with a defective muffler.



WARNING: The muffler becomes very hot during and after operation, also at idle speed. Use protective gloves to prevent burn injuries.



WARNING: The inner side of the muffler contains chemicals that may be carcinogenic. Do not touch the muffler if it is damaged.

- Regularly do a visual check of the muffler. The muffler keeps noise levels to a minimum and sends exhaust fumes away from the operator. Refer to *To do maintenance on the muffler on page 12*.

To do a check of the vibration damping system

1. Make sure that there are no cracks or deformation on the vibration damping units.
2. Make sure that the vibration damping units are correctly attached to the engine unit and handle unit.

Refer to *Product overview on page 2* for information about where the vibration damping system is on your product.

To do a check of the start/stop switch

1. Use the start/stop switch to stop the engine.
2. Make sure that the engine stops fully.

To see where the start/stop switch is on your product, refer to *Product overview on page 2*.

Harness safety

- Make sure that the waist belt is attached and correctly adjusted. Loose ends of the harness can enter rotating parts and cause damage to the fan. If the fan is damaged, loose parts of the product can eject and cause injury or damage.

Fuel safety



WARNING: Read the warning instructions that follow before you use the product.

- Do not mix or add the fuel indoors or near a heat source.
- Do not start the product if there is fuel or oil on the product or on your body.
- Do not start the product if the engine has a fuel leak. Examine the engine for fuel leaks regularly.
- Always be careful with fuel. Fuel is flammable and the fuel fumes are explosive and can cause serious injury or death.
- Do not breathe in the fuel fumes, it can cause injury. Make sure that there is a sufficient airflow.
- Do not smoke near the fuel or the engine.
- Do not put the product or a fuel container near warm objects, an open flame, a spark or a pilot light.
- Always use approved containers for storage and transportation of fuel.

Safety instructions for maintenance



WARNING: Read the warning instructions that follow before you use the product.

- Stop the engine, remove the spark plug and let the engine become cool before maintenance and assembly.
- A blocked spark arrestor screen causes the engine to become too hot which causes damage to the engine.

Assembly

Introduction

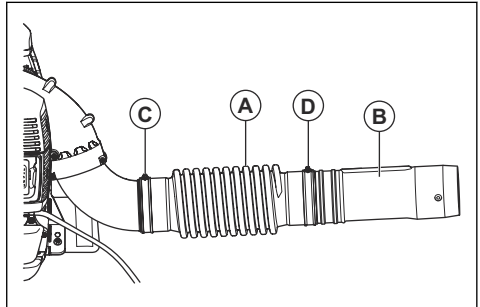


WARNING: Read and understand the safety chapter before you assemble the product.

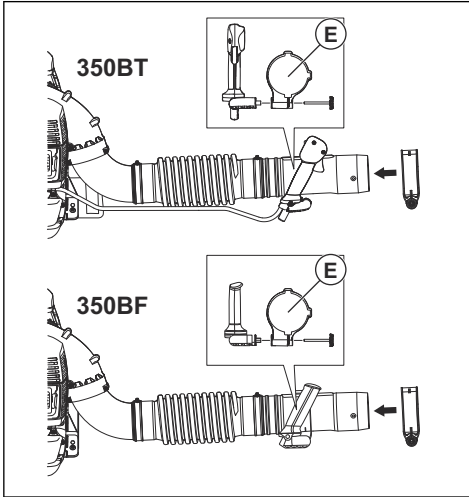
To assemble the blower pipe and the control handle on the product

Note: Lubricate the tubes and flexible hose to make them easier to assemble.

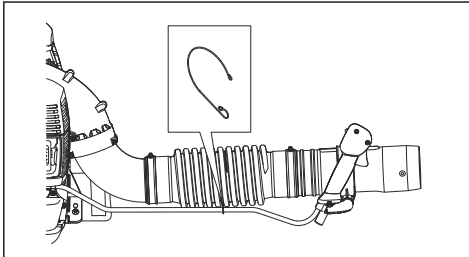
1. Attach the flexible hose (A) to the pipe angle and the control pipe (B) with the clamps (C) and (D).



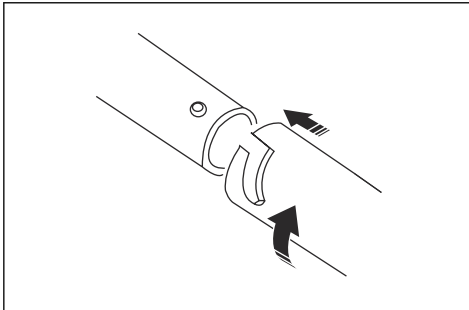
2. Attach the handle holder (E) to the control pipe. Align the handle holder with the flange on the control pipe.



3. Adjust the position and angle of the control handle to a safe and correct work position. Tighten the knob.
4. For 350BT: Attach the cable to the flexible hose with the cable clamp.



5. Attach the intermediate pipe to the control pipe.



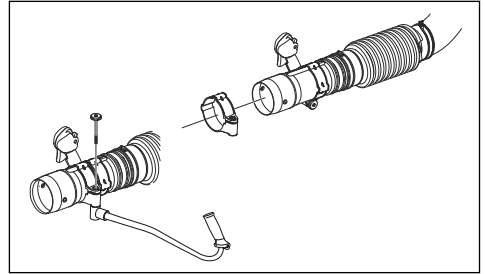
Note: If it is a requirement to use a longer circular blower pipe, an extended intermediate pipe is available.

6. Attach the blower nozzle to the intermediate pipe.

Note: The blower nozzle can only be installed on the intermediate pipe.

To assemble the handlebar (optional accessory)

1. Disassemble the intermediate pipe.
2. Remove the knob from the holder and push the holder onto the control pipe.
3. Install the handlebar and the knob. Tighten the knob.

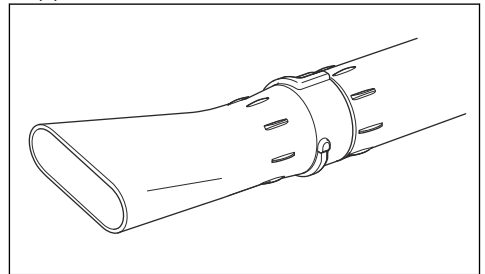


4. Assemble the intermediate pipe.

To assemble the flat nozzle (optional accessory)

The flat nozzle gives a higher air speed than the blower nozzle.

- Remove the blower nozzle from the intermediate pipe and install the flat nozzle.



Operation

Introduction



WARNING: Read and understand the safety chapter before you use the product.

Fuel

This product has a two-stroke engine.



CAUTION: Incorrect type of fuel can result in engine damage. Use a mixture of gasoline and two-stroke oil.

Premixed fuel

- Use Husqvarna premixed alkylate fuel for best performance and extension of the engine life. This fuel contains less harmful chemicals compared to regular fuel, which decreases harmful exhaust fumes. The quantity of remains after combustion is lower with this fuel, which keeps the components of the engine more clean.

To mix fuel

Gasoline

- Use good quality unleaded gasoline with a maximum of 10% ethanol contents.



CAUTION: Do not use gasoline with an octane grade less than 90 RON/87 AKI. Use of a lower octane grade can cause engine knocking, which causes engine damages.

Two-stroke oil

- For best results and performance use Husqvarna two-stroke oil.
- If Husqvarna two-stroke oil is not available, use a two-stroke oil of good quality for air-cooled engines. Speak to your servicing dealer to select the correct oil.



CAUTION: Do not use two-stroke oil for water-cooled outboard engines, also referred to as outboard oil. Do not use oil for four-stroke engines.

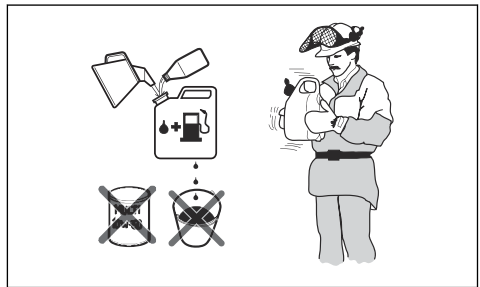
To mix gasoline and two-stroke oil

Gasoline, liter	Two-stroke oil, liter
	2% (50:1)

5	0.10
10	0.20
15	0.30
20	0.40
US gallon	US fl. oz.
1	2 ½
2 1/2	6 ½
5	12 ¾



CAUTION: Small errors can influence the ratio of the mixture drastically when you mix small quantities of fuel. Measure the quantity of oil carefully and make sure that you get the correct mixture.



- Fill half the quantity of gasoline in a clean container for fuel.
- Add the full quantity of oil.
- Shake the fuel mixture.
- Add the remaining quantity of gasoline to the container.
- Carefully shake the fuel mixture.



CAUTION: Do not mix fuel for more than 1 month at a time.

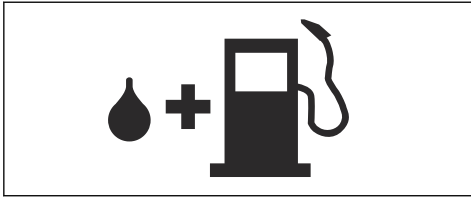
To fill the fuel tank



WARNING: Obey the procedure that follows for your safety.

- Stop the engine and let the engine become cool.

- Clean the area around the fuel tank cap.



- Shake the container and make sure that the fuel is fully mixed.
- Remove the fuel tank cap slowly to release the pressure.
- Fill the fuel tank.



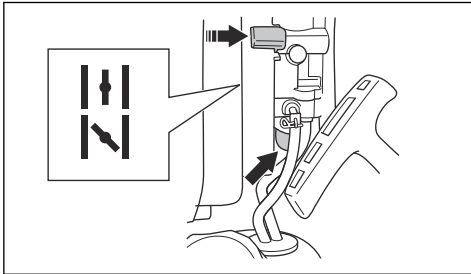
CAUTION: Make sure that there is not too much fuel in the fuel tank. The fuel expands when it becomes hot.

- Tighten the fuel tank cap carefully.
- Clean fuel spillage on and around the product.
- Move the product 3 m/10 ft or more away from the refueling area and fuel source before you start the engine.

Note: To see where the fuel tank is on your product, refer to *Product overview on page 2*.

To start the product

- If the engine is cold, push the choke lever to the closed choke position. Refer to *Symbols on the product on page 3*.



- Push the air purge bulb again and again until fuel starts to fill the air purge bulb. It is not necessary to fill the air purge bulb fully.
- Set the throttle speed to 1/3 speed. Refer to *To operate the throttle control/stop switch on page 9*.
- Put the product on a flat surface on the ground.

- Hold the product with the left hand.



CAUTION: Do not use your feet to hold the product.

- Pull the starter rope handle slowly until resistance occurs.
- Pull the starter rope handle quickly with the right hand. Pull the starter rope handle again and again until the engine starts.

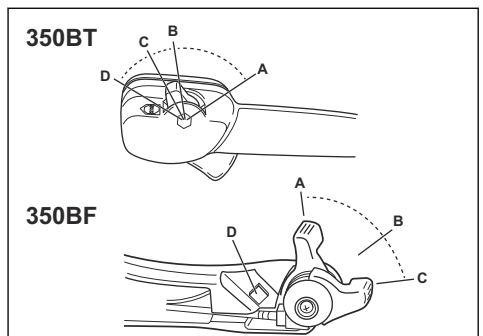
Note: Do not pull the starter rope handle to full extension and do not let go of the starter rope handle.

- If the engine is cold, push the choke lever to the open choke position gradually until the choke lever stops.
- If the engine is cold, let the engine operate for 2-3 minutes to become warm before operation.



WARNING: Air is released when the engine is started and when the product is set at idle speed. Do not let persons to come near the product or the blower tube.

To operate the throttle control/stop switch



- Apply full throttle (A).

- Apply 1/3 speed (B).
- Apply idle speed (C).
- Stop the product (D).

To operate the product

- This blower is a backpack type, and is carried using a shoulder harness while operating. It is operated and controlled with the handle on the tube using the right hand.



- Operate the product at usual work hours. Obey local regulations.
- Decrease the pieces of equipment and select the correct speed for your task. Use the throttle at lowest position possible to prevent more noise and dust than necessary.
- Keep the blower nozzle near the ground.

Note: Husqvarna recommends that you use the full blower nozzle extension.

- Make a note of the wind direction and operate the product in the direction of the wind.
- Use applicable garden tools to release material from the ground.
- In areas with dust, use spray equipment to wet the area. This decreases the operation time.
- After operation, keep the product in storage vertically.

To stop the product

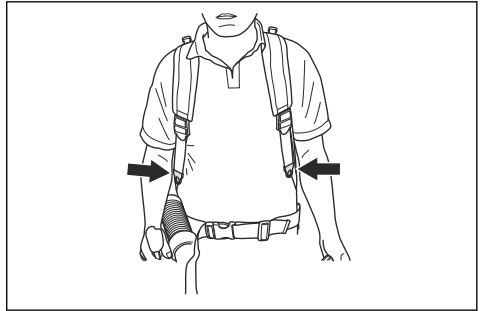


CAUTION: Do not stop the product at full speed. Refer to *To operate the throttle control/stop switch* on page 9.

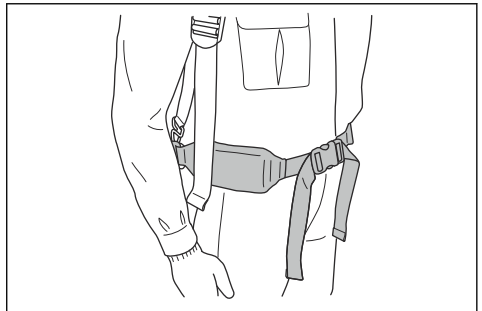
1. For 350BT: Put the start/stop switch with throttle control in the stop position.
2. For 350BF: Push the stop switch.

To adjust the harness

1. Put on the harness of the product.
2. Tighten the shoulder straps until the product is tight against your body.



3. Put the waist belt around your waist.
4. Tighten the waist belt strap. Make sure that the weight of the blower stays on your hips.



Maintenance

Introduction



WARNING: Read and understand the safety chapter before you do maintenance on the product.

Maintenance schedule

Maintenance	Daily	Weekly	Monthly
Clean the external surfaces.	X		
Make sure that the control handle operates correctly.	X		
Make sure that the start/stop switch operates correctly. Refer to <i>To do a check of the start/stop switch on page 6</i> .	X		
Examine the engine, the fuel tank and the fuel lines for leaks. Examine the fuel filter for contamination. Replace the fuel filter if it is necessary.	X		
Clean the air filter. Replace the air filter if it is necessary.	X		
Tighten nuts and screws.	X		
Examine the air intake and make sure that it is not blocked.	X		
Examine the starter and the starter rope for damages.		X	
Examine the vibration damping units for damages, cracks and deformation. Make sure that the vibration damping units are correctly installed.		X	
Examine the spark plug. Refer to <i>To do a check of the spark plug on page 11</i> .		X	
Clean the cooling system.		X	
Clean the external surface of the carburetor and the area around it.		X	
Clean the fuel tank.			X
Examine all cables and connections.			X
Examine and clean the spark arrestor screen on the muffler (for products without catalytic converter).		X	
Examine and clean the spark arrestor screen on the muffler (for products with catalytic converter).			X
Examine the spark plug. Replace if it is necessary.			X

To adjust the idle speed

1. Make sure that the air filter is clean and that the air filter cover is attached.
2. Adjust the idle speed with the idle speed screw. To see where the idle speed screw is on your product, refer to *Product overview on page 2*.

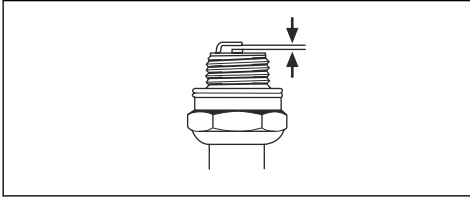
To do a check of the spark plug



CAUTION: Use the recommended spark plug. Refer to *Technical data on page 15*. An incorrect spark plug can cause damage to the product.

1. Stop the engine and let the product become cool.
2. Clean the spark plug if it is dirty.

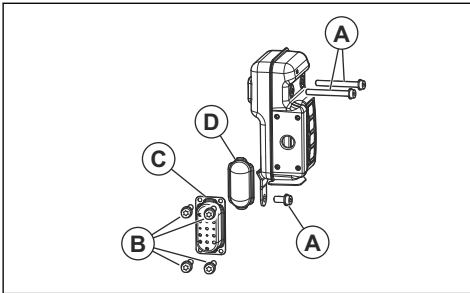
3. Make sure that the electrode gap is correct. Refer to *Technical data on page 15*.



4. Replace the spark plug monthly or more frequently if it is necessary.

To do maintenance on the muffler

1. Stop the engine and let the muffler become cool. Always use protective gloves.
2. Remove the screws (A), the screws (B) and the exhaust duct (C).



3. Remove the spark arrester screen (D) and clean it with a wire brush. Replace the spark arrester screen if it is damaged.
4. Remove dirt from muffler and from the exhaust port of the cylinder with the wire brush.
5. Attach the spark arrester screen (D) and the exhaust duct (C) with the screws (B). Tighten the screws to 2-3 Nm.
6. Tighten the screws (A) to 8-12 Nm. Make sure that the muffler is correctly attached to the product.

To examine and clean the cooling system

The cooling system includes the cooling fins on the cylinder and the air intake screen.

1. Stop the engine.
2. Make sure that the cooling system is not dirty or blocked. If it is necessary, clean the air intake screen and cooling fins.



CAUTION: A dirty or blocked cooling system can increase the temperature of the engine and cause damage to the product. A clogged air intake screen decreases the blow force.

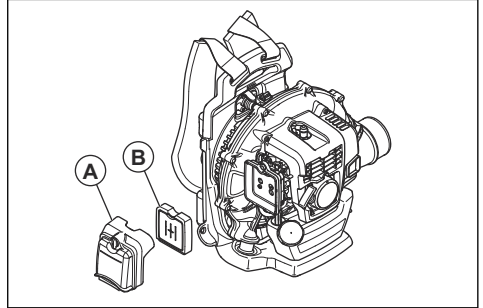
3. Examine the cooling system for damages. Make sure that the parts are attached correctly to the product.

To clean the air filter



CAUTION: Do not use a product without an air filter or with a damaged air filter. Dust in the air can cause damage to the engine.

1. Push the choke control to the closed position.
2. Remove the air filter cover (A).
3. Remove the air filter (B) from the filter frame.



4. Clean the air filter with warm water with soap.

Note: An air filter that has been used for a long time cannot be fully cleaned. Replace the air filter regularly and always replace a defective air filter.

5. Clean the inner surface of the air filter cover (A) with a brush.
6. Apply oil to the air filter. Refer to *To apply oil to the foam air filter on page 12*.
7. Put the air filter in the filter frame.
8. Attach the air filter cover to the product.

To apply oil to the foam air filter



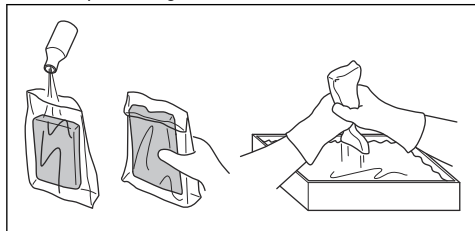
CAUTION: Always use Husqvarna special air filter oil. Do not use other types of oil.



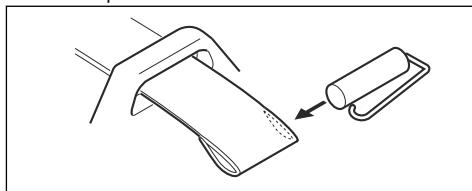
WARNING: Put on protective gloves. The air filter oil can cause skin irritation.

1. Put the foam air filter in a plastic bag.
2. Put the oil in the plastic bag.
3. Rub the plastic bag to supply the oil equally across the foam air filter.

4. Push the unwanted oil out of the foam air filter while in the plastic bag.



1. Stop the engine.
2. Remove the clamp from the strap.
3. Push the end of the strap through the eyelet.
4. Pull the new strap through the eyelet.
5. Put the pin into the strap to attach the clamp to the new strap.



To replace the harness



WARNING: A damaged harness can make the product fall and cause injuries. Make sure to install the clamp correctly.

Troubleshooting

The engine is not possible to start		
Check	Possible cause	Solution
Stop button.	Stop position	Set the stop switch to the start position.
Starter pawl/s.	Blocked or worn starter pawl/s.	Adjust or replace the starter pawl/s.
		Clean around the starter pawl/s.
		Speak to an approved servicing dealer.
Fuel tank.	Incorrect fuel type.	Drain the fuel tank and use correct fuel.
Carburetor.	Adjustment of the idle speed.	Adjust the idle speed with the idle adjustment screw.
Spark (no spark).	Spark plug dirty or wet.	Make sure that the spark plug is dry and clean.
	Electrode gap on the spark plug is incorrect.	Clean the spark plug. Make sure that the electrode gap is correct. Make sure that the spark plug is installed with a suppressor.
		Refer to technical data for the correct electrode gap.
Spark plug.	Spark plug is loose.	Tighten the spark plug.
	There is unwanted material on the spark plug electrodes.	Make sure that the fuel mixture is correct.
		Make sure that the air filter is clean.

Engine starts but stops again		
Check	Possible cause	Solution
Fuel tank.	Incorrect fuel type.	Drain it and use the correct fuel.
Carburetor.	Engine will not operate correctly at idle speed.	Speak to your servicing dealer.
Air filter.	Clogged air filter.	Clean the air filter.

Transportation and storage

Transportation and storage



WARNING: To prevent the risk of fire, make sure that there are no leaks or fumes during transportation or storage. Make sure that there is no risk of sparks or fire.

- Empty the fuel tank before transportation or long-term storage. Push the air purge bulb to make sure that all fuel is removed. Discard the fuel at an applicable disposal location.
- Make sure that the product is clean and that a full servicing is done before long-term storage.
- Remove the spark plug and put approximately 15 ml of two-stroke oil into the cylinder. Turn the product 3 times and install the spark plug again.
- Attach the product safely to the vehicle during transportation.
- Keep the product in a dry, cool and clean space with good airflow. Keep the product away from children.

Technical data

Technical data

	Husqvarna 350BT	Husqvarna 350BF
Engine		
Cylinder displacement, in. ³ / cm ³	3.06 / 50.2	3.06 / 50.2
Idle speed, rpm	2200	2200
Catalytic converter	No	No
Ignition system¹		
Spark plug	NGK CMR7H / TORCH AC7R	NGK CMR7H / TORCH AC7R
Electrode gap, in. / mm	0.023-0.027 / 0.6-0.7	0.023-0.027 / 0.6-0.7
Fuel and lubrication system		
Fuel tank capacity, US Pint / l	2.64 / 1.25	2.64 / 1.25
Weight		
Weight without fuel, lb / kg	22.5 / 10.2	22.9 / 10.4
Fan performance		
Max. air velocity with blower nozzle, mph / m/s	180 / 80	180 / 80
Air flow with blower nozzle, cfm / m ³ /min	494 / 14	494 / 14

¹ The spark ignition system complies with the Canadian ICES-002 standard.

Warranty

CALIFORNIA, U.S FEDERAL, AND CANADA EXHAUST AND EVAPORATIVE EMISSIONS CONTROL WARRANTY STATEMENT

YOUR WARRANTY RIGHTS AND OBLIGATIONS

The California Air Resources Board (CARB), U.S. Environmental Protection Agency (EPA), Environment and Climate Change Canada and Husqvarna Professional Products, Inc. are pleased to explain the exhaust and evaporative emissions ("emissions") control system warranty on your 2021-2022* small off-road engine. In California, new equipment that use small off-road engines must be designed, built, and equipped to meet State's stringent anti-smog standards. Husqvarna Professional Products, Inc. must warrant the emissions control system on your small off-road engine for the periods of time listed below provided there has been no abuse, neglect or improper maintenance of your small off-road engine or equipment leading to the failure of the emissions control system. Your emissions control system may include parts such as the carburetor or fuel injection system, the ignition system, catalytic convertor, fuel tanks, fuel lines (for liquid fuel and fuel vapors), fuel caps, valves, canisters, filters, clamps and other associated components. Also included may be hoses, belts, connectors, and other emission-related assemblies. Where a warrantable condition exists, Husqvarna Professional Products, Inc. will repair your small off-road engine at no cost to you including diagnosis, parts and labor.

MANUFACTURER'S WARRANTY COVERAGE

The exhaust and evaporative emissions control system on your small off-road engine is warranted for two years. If any emissions-related part on your small off-road engine is defective, the part will be repaired or replaced by Husqvarna Professional Products, Inc..

OWNER'S WARRANTY RESPONSIBILITIES

- As the small off-road engine owner, you are responsible for performance of the required maintenance listed in your owner's manual. Husqvarna Professional Products, Inc. recommends that you retain all receipts covering maintenance on your small off-road engine, but Husqvarna Professional Products, Inc. cannot deny warranty coverage solely for the lack of receipts or for your failure to ensure the performance of all scheduled maintenance.
- As the small off-road engine owner, you should however be aware that Husqvarna Professional Products, Inc. may deny you warranty coverage if your small off-road engine or a part has failed due to abuse, neglect, or improper maintenance or unapproved modifications.

- You are responsible for presenting your small off-road engine to a Husqvarna Professional Products, Inc. authorized servicing dealer as soon as the problem exists. The warranty repairs shall be completed in a reasonable amount of time, not to exceed 30 days. If you have any questions regarding your warranty rights and responsibilities, you should contact Husqvarna Professional Products, Inc. in USA at 1-800-487-5951, in CANADA at 1-800-805-5523 or send e-mail correspondence to emissions@husqvarnagroup.com or warranty@hpp-emissions.com.

WARRANTY COMMENCEMENT DATE

The warranty period begins on the date the engine or equipment is delivered to an ultimate purchaser.

LENGTH OF COVERAGE

Husqvarna Professional Products, Inc. warrants to the ultimate purchaser and each subsequent owner that the engine or equipment is designed, built, and equipped so as to conform with all applicable regulations adopted by CARB and EPA, and is free from defects in materials and workmanship that causes the failure of a warranted part for a period of two years.

WHAT IS COVERED

REPAIR OR REPLACEMENT OF PARTS: Repair or replacement of any defective warranted part will be performed at no charge to you at a brand authorized servicing dealer. Except for repairs and replacement under this Emission Control Warranty, you may choose a repair shop or other person to maintain, replace or repair emission control devices and systems. However, Husqvarna Professional Products, Inc. recommends that all maintenance, replacement and repairs of emission control devices and systems be performed by a brand authorized servicing dealer.

IMPORTANT: This product is compliant with U.S. EPA Phase 3 regulations for exhaust and evaporative emissions. To ensure EPA Phase 3, California Air Resources Board and Environment and Climate Change Canada regulation, we recommend using only genuine product branded replacement parts. Use of non-compliant replacement parts is a violation of federal and state laws.

WARRANTY PERIOD: Any warranted part which is not scheduled for replacement as required maintenance, or which is scheduled only for regular inspection to the effect of "repair or replace as necessary" is warranted for 2 years (or time defined in the product warranty statement, whichever is longer) from the date of purchase by the initial consumer purchaser. Any warranted part which is scheduled for replacement as required maintenance is warranted for the period of the time up to the first scheduled replacement for that part.

Any part repaired or replaced under the warranty must be warranted for the remaining warranty period.

DIAGNOSIS: You will not be charged for diagnostic labor that leads to the determination that a warranted part is in fact defective, provided that such diagnostic work is performed at a brand authorized servicing dealer.

OTHER DAMAGES: Husqvarna Professional Products, Inc. will repair other engine components caused by the failure of a warranted part still under warranty.

EMISSION WARRANTY PARTS LIST

1. Carburetor and intake parts or fuel injection system.
2. Air filter and fuel filter covered up to maintenance schedule.
3. Spark Plug, covered up to maintenance schedule.
4. Ignition Module.
5. Mufflers with catalyst and exhaust manifolds.
6. Fuel tank, fuel lines (for liquid fuel and fuel vapors), fuel cap, carbon canister and tip-over/anti-slosh valves as applicable.**
7. Electronic Controls, Vacuum, temperature, and time sensitive valves and switches.
8. Hoses, connectors, and assemblies.
9. All other components the failure of which would increase the engine's exhaust and evaporative emissions of any regulated pollutant as set forth at the following:
 - For California see California Code of Regulations, 13 CCR §2405(d) and 2760(d).
 - For U.S. and Canada see US Federal Code of Regulations, 40 C.F.R 1068 Appendix I (iii).

WHAT IS NOT COVERED

All failures caused by abuse, neglect, unapproved modifications, misuse or improper maintenance are not covered.

ADD -ON OR MODIFIED PARTS: Add-on or modified parts that are not exempted by CARB or EPA may not be used. The use of any non-exempted add-on or modified parts will be grounds for disallowing a warranty claim. Husqvarna Professional Products, Inc. will not be liable to warrant failures of warranted parts caused by the use of a non-exempted add-on or modified part.

HOW TO FILE A CLAIM

If you have any questions regarding your warranty rights and responsibilities, you should contact your nearest authorized servicing dealer or call Husqvarna Professional Products, Inc. in USA at 1-800-487-5951, in CANADA at 1-800-805-5523 or send e-mail correspondence to emissions@husqvarnagroup.com or warranty@hpp-emissions.com.

WHERE TO GET WARRANTY SERVICE

Warranty services or repairs are provided through all Husqvarna Professional Products, Inc. authorized servicing dealers. If the nearest authorized servicing

dealer is more than 100 miles from your location, Husqvarna Professional Products, Inc. will arrange and pay for the shipping costs to and from a brand authorized servicing dealer or otherwise arrange for warranty service in accordance with applicable regulations.

MAINTENANCE, REPLACEMENT AND REPAIR OF EMISSION-RELATED PARTS

Any replacement part may be used in the performance of any warranty maintenance or repairs and must be provided without charge to the owner. Such use will not reduce the warranty obligations of the manufacturer.

MAINTENANCE STATEMENT

The owner is responsible for the performance of all required maintenance, as defined in the owner's manual.

* Current and following model year will be updated annually in the warranty statement provided to the consumer. For example, in 2012 model year, 2012-2013 will be specified.

** Evaporative emission parts.

Contenido

Introducción.....	18	Solución de problemas.....	30
Seguridad.....	20	Transporte y almacenamiento.....	31
Montaje.....	23	Datos técnicos.....	32
Funcionamiento.....	24	Garantía.....	33
Mantenimiento.....	27		

Introducción

Proposición 65 de California

!ADVERTENCIA!

Los gases de escape del motor de este producto contienen sustancias químicas conocidas en el Estado de California como causantes de cáncer, defectos congénitos y otros daños reproductivos.

Husqvarna AB tiene una política de desarrollo continuo de productos y, por lo tanto, se reserva el derecho de modificar el diseño y el aspecto de los productos sin previo aviso.

Uso específico

Utilice el producto para soplar hojas y otros materiales no deseados de zonas como césped, senderos y caminos de asfalto.

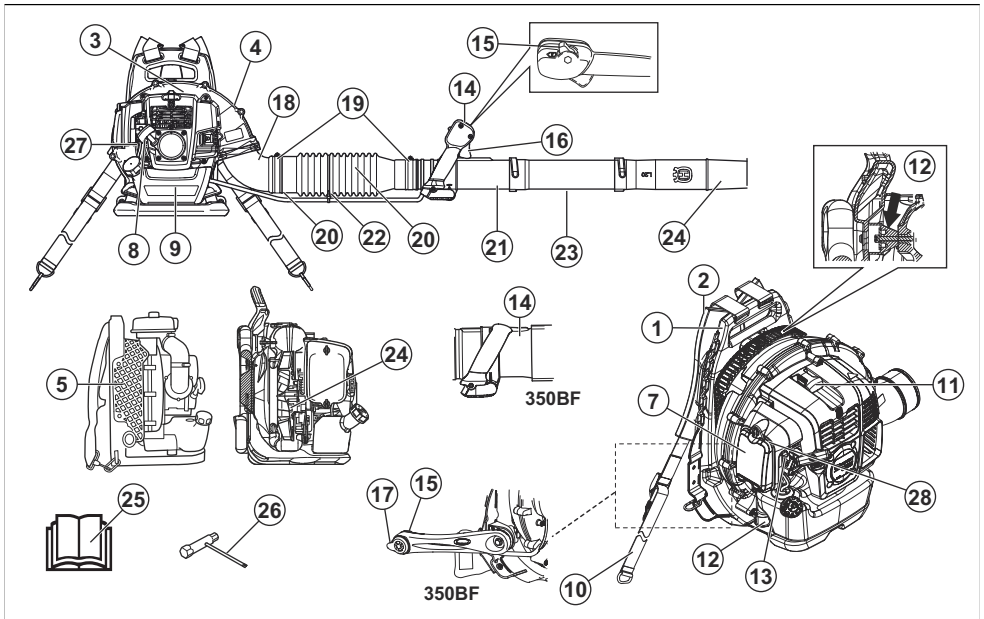
Canada EMC

Este sistema de Ignición por chispa de vehículo es conforme con la norma ICES-002 del Canada.

Descripción del producto

Este producto es una sopladora de mochila con motor de combustible.

Descripción general del producto



1. Bastidor
2. Arnés
3. Cubierta del motor
4. Cubierta del ventilador
5. Rejilla de aspiración de aire
6. Ventilador
7. Filtro de aire
8. Empuñadura de la cuerda de arranque
9. Depósito de combustible
10. Cinturón
11. Bujía
12. Sistema amortiguador de vibraciones
13. Estrangulador
14. Mango de control
15. Interruptor de arranque/parada con acelerador (350BT)/interruptor de parada (350BF)
16. Acelerador
17. Palanca de acelerador (350BF)
18. Ángulo del tubo
19. Abrazadera
20. Manguera flexible
21. Tubo de control
22. Anclaje del cable
23. Tubo intermedio
24. Boquilla de la sopladora
25. Manual del usuario
26. Llave combinada
27. Bulbo de la purga de aire
28. Tornillo de ralentí



Bulbo de la purga de aire.



Mantenga todas las partes del cuerpo lejos de las superficies calientes.



Estrangulador, posición abierta.



Posición cerrada de estrangulamiento.



Esté atento a que no salgan objetos despedidos. Los objetos despedidos pueden causar daños graves. Utilice el equipo de protección personal.



Mantenga una distancia de seguridad de un mínimo de 15 m para personas o animales.

yyyywwxxxx

La placa de características muestra el número de serie. **yyyy** es el año de fabricación y **ww** es la semana de producción.

Símbolos en la máquina



ADVERTENCIA: Este producto puede ser peligroso y provocar daños graves o fatales al operador o a otras personas. Tenga cuidado y utilice el producto correctamente.



Lea atentamente el manual de instrucciones y asegúrese de que entiende las instrucciones antes de usar el producto.



Utilice protectores auriculares y oculares aprobados. Si el ambiente contiene polvo, utilice una máscara respiratoria.



Use guantes protectores homologados.



Utilice una mezcla de gasolina y de aceite para motores de dos tiempos.

Nota: Otros símbolos o etiquetas del producto hacen referencia a requisitos de certificación para otras zonas comerciales.

EPA III

EMISSION CONTROL INFORMATION

Husqvarna
HUSQVARNA AB HUSKVARNA SWEDEN

**THIS ENGINE MEETS U.S. EPA AND CALIFORNIA
EXH/EVP REGS FOR [] SORE. REFER TO OPERATOR'S
MANUAL FOR MAINTENANCE SPECIFICATIONS AND
ADJUSTMENTS. EMISSIONS COMPLIANCE PERIOD : []**

El período de cumplimiento de emisiones al que se hace referencia en la etiqueta de cumplimiento de emisiones indica la cantidad de horas de funcionamiento para la que se ha demostrado que el motor cumple el requisito de emisiones federales. El mantenimiento, reemplazo o

reparación de los dispositivos y el sistema de control de emisiones puede realizarlo cualquier establecimiento o

persona que repare motores no destinados al transporte.

ABREVIATURAS DE LA ETIQUETA DE CONTROL DE EMISIONES

Información general:

CAL	California	EXH/EVP	Escape y evaporación	REGS	Reglamentos
DISPL	Desplazamiento	EVAP	Evaporación	SORE	Motores todoterreno pequeños
ECS	Sistema de control de emisiones	HRS	Horas	US EPA	Agencia de Protección Ambiental de Estados Unidos

Sistema de control de emisiones de escape:

ECM	Módulo de control del motor (afinación automática)	OC	Catalizador oxidante
EM	Modificación del motor	TWC	Catalizador de tres vías

Sistemas de control de emisiones por evaporación:

C	Coextrusionado (multicapa)	P	HDPE o PE tratados
N	Nailon	S	Sellado

Responsabilidad del fabricante

Como se menciona en las leyes de responsabilidad del fabricante, no nos hacemos responsables de los daños que cause nuestro producto si:

- el producto se repara incorrectamente
- el producto se repara con piezas que no son del fabricante o que este no autoriza
- el producto tiene un accesorio que no es del fabricante o que este no autoriza
- el producto no se repara en un centro de servicio autorizado o por una autoridad aprobada.

Seguridad

Definiciones de seguridad

Las siguientes definiciones proporcionan el nivel de gravedad de cada palabra clave.



ADVERTENCIA: Lesiones a personas.



PRECAUCIÓN: Daños en el producto.

Nota: Esta información hace que el producto sea más fácil de usar.

Instrucciones generales de seguridad



ADVERTENCIA: Lea atentamente las instrucciones de advertencia siguientes antes de usar el producto.



ADVERTENCIA: Lea atentamente las instrucciones de advertencia siguientes antes de usar el producto.

Instrucciones de seguridad para el funcionamiento

- Este producto puede ser peligroso y provocar daños graves o fatales al operador o a otras personas. Tenga cuidado y utilice el producto correctamente.
- Inspeccione el producto antes de utilizarlo. Consulte *Mantenimiento en la página 27*.
- No opere el producto si está cansado, enfermo o bajo la influencia de alcohol u otras drogas que puedan disminuir su vista, criterio o coordinación.
- Instale todas las cubiertas y protecciones del producto antes de utilizarlo. Para evitar sacudidas eléctricas, asegúrese de que el sombrerete de la bujía y el cable de encendido no estén dañados.
- No toque la bujía ni el cable de encendido cuando el motor esté encendido.
- Mantenga una distancia de seguridad de un mínimo de 15 m para personas o animales. Si personas, niños o animales se acercan a menos de 15 m, detenga el producto. Apunte el producto lejos de personas, animales, ventanas abiertas y otros objetos.
- No deje que los niños operen el producto. Asegúrese de que todos los operadores lean y comprendan el contenido de este manual de usuario.
- Mantenga las manos u otros objetos alejados de la carcasa de la sopladora durante el funcionamiento. Las piezas giratorias pueden provocar daños graves.
- No utilice el producto si la rejilla de aspiración de aire no está instalada. Asegúrese siempre de que la rejilla de aspiración de aire está instalada y no esté dañada antes de cada uso.
- Si se produce una emergencia, suelte el cinturón y el cinturón del pecho del arnés, y deje caer el producto.
- Obedezca las normativas y directivas nacionales.
- Mantenga todas las partes del cuerpo lejos de las superficies calientes.
- En este producto se genera un campo electromagnético durante su funcionamiento. Este campo puede, en determinadas circunstancias, interferir en implantes médicos activos o pasivos. Para reducir el riesgo de daños graves o mortales, recomendamos que las personas con implantes médicos consulten a su médico y al fabricante del implante médico antes de usar este producto.
- Demasiada vibración puede causar daños a la circulación o al sistema nervioso. Hable con su médico si tiene síntomas como insensibilidad, pérdida de sensación, hormigueo, picazón, dolor, pérdida de fuerza o cambios en el color de la piel de los dedos, manos o muñecas.
- Esté atento a que no salgan objetos despedidos. Los objetos despedidos pueden causar daños graves.
- No opere el producto en condiciones climáticas desfavorables, como niebla, lluvia, vientos fuertes ni frío intenso. Trabajar con mal tiempo puede causar cansancio y condiciones peligrosas.
- Asegúrese de poder moverse libremente y mantenerse en una posición estable. Revise el área de trabajo para ver si hay posibles obstáculos, como rocas. Tenga cuidado cuando opere el producto en pendientes.
- No deje el producto en el piso con el motor en marcha.
- No utilice el producto desde posiciones altas, por ejemplo, en una escalera.
- Asegúrese de que siempre lo puedan escuchar en caso de producirse un accidente.
- Asegúrese de que la salida de los gases de escape no esté obstruida. Para evitar daños en el producto, mantenga los obstáculos a una distancia mínima de 50 cm de la salida de los gases de escape.
- No encienda el producto en interiores, lugares con mala ventilación o cerca de materiales inflamables. Los gases de escape del motor contienen monóxido de carbono, que puede provocar intoxicación por monóxido de carbono. Los gases de escape están calientes y pueden contener chispas que podrían provocar un incendio.

Equipo de protección personal



ADVERTENCIA: Lea atentamente las instrucciones de advertencia siguientes antes de usar el producto.

- Utilice siempre el equipo de protección personal aprobado cuando use el producto. El equipo de protección personal no puede impedir por completo el riesgo de lesiones, pero puede disminuir su grado. Comuníquese con su concesionario para obtener más información.
- Use protección auricular aprobada. La exposición prolongada al ruido puede provocar daños permanentes en la audición.
- Use protección ocular homologada. Si utiliza un visor, también debe usar gafas protectoras homologadas. Las gafas protectoras homologadas deben cumplir con la norma ANSI Z87.1 de EE. UU. o con EN 166 en los países de la UE.
- Utilice guantes protectores durante el funcionamiento y mantenimiento.
- Utilice botas o zapatos de protección con suelas antideslizantes.
- Utilice ropa de tejido resistente y que lo cubra por completo. No utilice joyas ni calzado abierto. Para reducir el riesgo de lesiones, la ropa debe estar ajustada, pero no limitar los movimientos. Manténgase el pelo sobre los hombros para evitar que se enganche entre en las piezas giratorias o en las ramas.
- Utilice una protección respiratoria cuando haya riesgo de polvo.
- Mantenga cerca el equipo de primeros auxilios.

Dispositivos de seguridad en el producto



ADVERTENCIA: Lea atentamente las instrucciones de advertencia siguientes antes de usar el producto.

- No utilice un producto con dispositivos de seguridad defectuosos.
- Revise los dispositivos de seguridad de forma regular. Consulte *Mantenimiento en la página 27*.
- Si los dispositivos de seguridad están defectuosos, comuníquese con su concesionario de servicio Husqvarna.

Para comprobar el silenciador



ADVERTENCIA: No utilice un producto con un silenciador defectuoso.



ADVERTENCIA: El silenciador se calienta mucho durante el funcionamiento o después de este, así como en el régimen de ralentí. Utilice guantes protectores para evitar quemaduras.



ADVERTENCIA: El interior del silenciador contiene productos químicos que pueden ser cancerígenos. No toque el silenciador si está dañado.

- Realice una inspección visual del silenciador de manera regular. El silenciador mantiene los niveles de ruido al mínimo y dirige los gases de escape lejos del operador. Consulte *Para realizar tareas de mantenimiento en el silenciador en la página 28*.

Para comprobar el sistema amortiguador de vibraciones

1. Asegúrese de que no haya grietas o deformación en los amortiguadores de vibraciones.
2. Asegúrese de que los amortiguadores de vibraciones estén firmemente acoplados a la unidad del motor y a la unidad del mango.

Consulte la sección *Descripción general del producto en la página 18* para obtener más información sobre la ubicación del sistema amortiguador de vibraciones en su producto.

Para comprobar el interruptor de arranque/detención

1. Utilice el interruptor de arranque/detención para detener el motor.

2. Asegúrese de que el motor se detenga por completo.

Para conocer la ubicación del interruptor de arranque/detención en el producto, consulte *Descripción general del producto en la página 18*.

Seguridad del arnés

- Asegúrese de que el cinturón esté fijado y ajustado correctamente. Los extremos sueltos del arnés pueden entrar en las piezas giratorias y provocar daños en el ventilador. Si el ventilador está dañado, pueden salir expulsadas piezas sueltas del producto y causar lesiones o daños.

Seguridad de combustible



ADVERTENCIA: Lea atentamente las instrucciones de advertencia siguientes antes de usar el producto.

- No mezcle ni agregue combustible en interiores o cerca de una fuente de calor.
- No encienda el producto si derrama aceite o combustible en él o en su cuerpo.
- No arranque el producto si el motor tiene una fuga de combustible. Examine frecuentemente el motor en busca de fugas de combustible.
- Sea siempre cuidadoso con el combustible. El combustible es inflamable y los gases son explosivos; además, pueden causar daños graves o fatales.
- No respire los gases del combustible, ya que pueden causar lesiones. Asegúrese de que haya suficiente flujo de aire.
- No fume cerca del combustible o del motor.
- No coloque el producto ni un recipiente de combustible cerca de objetos calientes, una llama abierta, chispas o una llama de gas.
- Siempre use contenedores aprobados para el almacenamiento y el transporte del combustible.

Instrucciones de seguridad para el mantenimiento



ADVERTENCIA: Lea atentamente las instrucciones de advertencia siguientes antes de usar el producto.

- Pare el motor, quite la bujía y deje que el motor se enfríe antes de realizar el mantenimiento y el montaje.
- Si la red apagachispas está obstruida, el motor se sobrecalentará y se dañará.

Montaje

Introducción

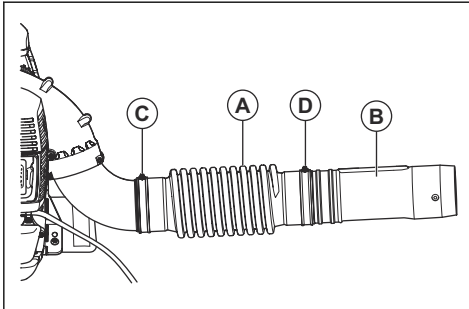


ADVERTENCIA: Asegúrese de leer y comprender el capítulo de seguridad antes de montar el producto.

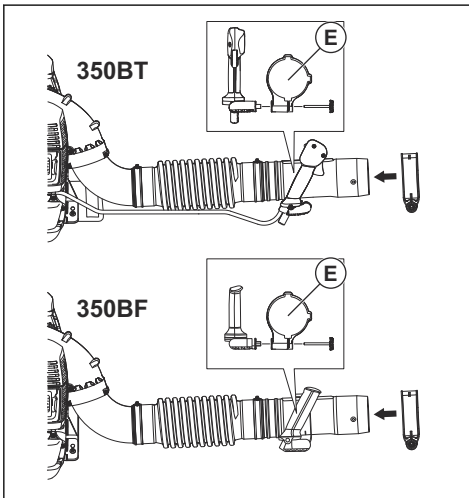
Para montar el tubo de la sopladora y el mango de control en el producto

Nota: Lubrique los tubos y la manguera flexible para facilitar su montaje.

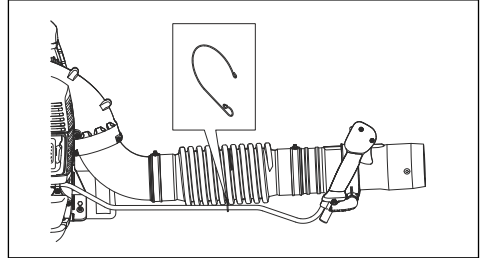
1. Fije la manguera flexible (A) en el ángulo del tubo y el tubo de control (B) con las abrazaderas (C) y (D).



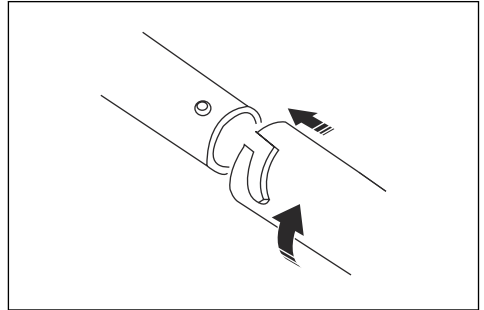
2. Fije el soporte de mango (E) en el tubo de control. Alinee el soporte del mango con la brida del tubo de control.



3. Ajuste la posición y el ángulo del mango de control a una posición de trabajo segura y correcta. Apriete la perilla.
4. Para 350BT: Fije el cable en la manguera flexible con el anclaje del cable.



5. Fije el tubo intermedio en el tubo de control.



Nota: Si es necesario utilizar un tubo de sopladora circular más largo, hay disponible un tubo intermedio ampliado.

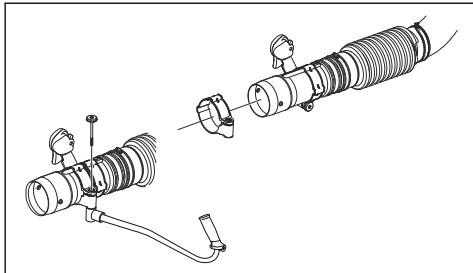
6. Fije la boquilla de la sopladora en el tubo intermedio.

Nota: La boquilla de la sopladora solo se puede instalar en el tubo intermedio.

Para montar el manillar (accesorio optativo)

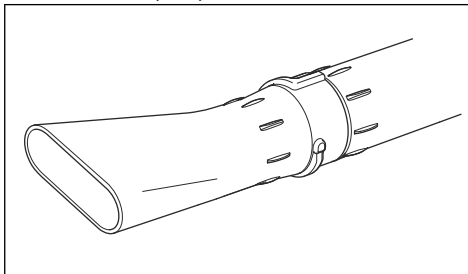
1. Desmonte el tubo intermedio.
2. Quite la perilla del soporte y presione el soporte en el tubo de control.

3. Instale el manillar y la perilla. Apriete la perilla.



4. Monte el tubo intermedio.

- Quite la boquilla de la sopladora del tubo intermedio e instale la boquilla plana.



Para montar la boquilla plana (accesorio optativo)

La boquilla plana proporciona una velocidad de aire superior a la de la boquilla de la sopladora.

Funcionamiento

Introducción



ADVERTENCIA: Asegúrese de leer y comprender el capítulo de seguridad antes de utilizar el producto.

Combustible

Este producto tiene un motor de dos tiempos.



PRECAUCIÓN: Usar el tipo incorrecto de combustible puede causar daños en el motor. Utilice una mezcla de gasolina y de aceite para motores de dos tiempos.

Combustible premezclado

- Utilice combustible de alquilato premezclado Husqvarna para obtener el mejor rendimiento y prolongar la vida útil del motor. Este combustible contiene menos químicos dañinos en comparación con el combustible normal, lo cual disminuye los gases de escape dañinos. La cantidad de restos después de la combustión es menor con este combustible, que mantiene más limpios los componentes del motor.

Para mezclar combustible

Gasolina

- Utilice gasolina sin plomo de buena calidad con un contenido máximo de un 10 % de etanol.



PRECAUCIÓN: No utilice gasolina con un octanaje inferior a 90 RON/87 AKI. El uso de gasolina de octanaje inferior puede causar el golpeteo del motor, lo que provoca daños en el motor.

Aceite para motores de dos tiempos

- Para obtener los mejores resultados y el mejor rendimiento, utilice aceite para motores de dos tiempos Husqvarna.
- Si el aceite para motores de dos tiempos Husqvarna no está disponible, utilice un aceite para motores de dos tiempos de buena calidad para motores enfriados por aire. Contáctese con su concesionario de servicio para seleccionar el aceite correcto.



PRECAUCIÓN: No utilice aceite para motores de dos tiempos para motores fueraborda refrigerados por agua, también conocido como aceite para fueraborda. No utilice aceite para motores de cuatro tiempos.

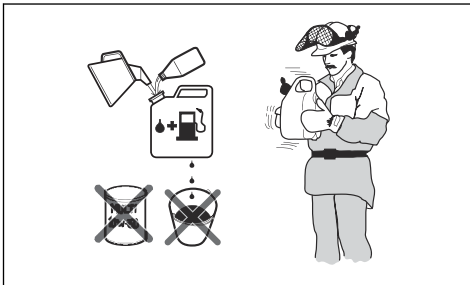
Para mezclar gasolina y aceite para motores de dos tiempos

Gasolina, litros	Aceite para motores de dos tiempos, litro
	2 % (50:1)
5	0,10

10	0,20
15	0,30
20	0,40
Galón estadounidense	Onza líquida EE. UU.
1	2 ½
2 1/2	6 ½
5	12 ½



PRECAUCIÓN: Los errores pequeños pueden influir drásticamente en la proporción de la mezcla cuando se mezclan cantidades pequeñas de combustible. Mida cuidadosamente la cantidad de aceite y asegúrese de obtener la mezcla correcta.



1. Llene la mitad de la cantidad de gasolina en un recipiente limpio para combustible.
2. Agregue la cantidad total de aceite.
3. Agite la mezcla de combustible.
4. Agregue la cantidad restante de gasolina al recipiente.
5. Agite cuidadosamente la mezcla de combustible.



PRECAUCIÓN: No mezcle el combustible durante más de 1 mes cada vez.

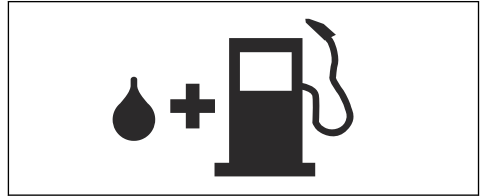
Para llenar el depósito de combustible



ADVERTENCIA: Para su seguridad, siga el procedimiento que se indica a continuación.

1. Detenga el motor y deje que se enfríe.

2. Limpie el área alrededor del tapón del depósito de combustible.



3. Agite el recipiente y asegúrese de que el combustible esté totalmente mezclado.
4. Retire lentamente la tapa del depósito de combustible para liberar la presión.
5. Llene el depósito de combustible.



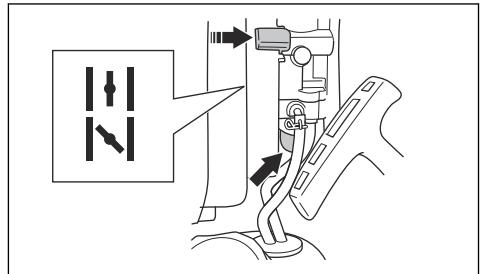
PRECAUCIÓN: Asegúrese de que el depósito de combustible no esté demasiado lleno. El combustible se expande cuando se calienta.

6. Apriete bien la tapa del depósito de combustible cuidadosamente.
7. Limpie los derrames de combustible en el producto y los alrededores.
8. Antes de arrancarlo, aleje el producto 3 m/10' o más del área de recarga de combustible y de la fuente de combustible.

Nota: Para conocer la ubicación del depósito de combustible en el producto, consulte *Descripción general del producto en la página 18*.

Para poner en marcha la máquina

1. Si el motor está frío, presione la palanca del estrangulador hacia la posición de estrangulamiento cerrada. Consulte *Símbolos en la máquina en la página 19*.



2. Presione el bulbo de purga de aire una y otra vez hasta que el combustible comience a llenar el bulbo de purga de aire. No es necesario llenar completamente el bulbo de la purga de aire.
3. Ajuste la velocidad del acelerador a 1/3. Consulte *Para accionar el interruptor del acelerador/detención en la página 26*.

- Coloque el producto sobre una superficie plana en el suelo.
- Sujete el producto con la mano izquierda.



PRECAUCIÓN: No sujete el producto con los pies.

- Tire lentamente de la empuñadura de la cuerda de arranque hasta que se produzca resistencia.
- Tire de la empuñadura de la cuerda de arranque rápidamente con la mano derecha. Tire de la empuñadura de la cuerda de arranque una y otra vez hasta que arranque el motor.

Nota: No tire de la empuñadura de la cuerda de arranque en toda su extensión ni suelte la empuñadura de la cuerda de arranque.

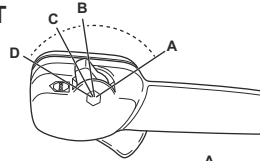
- Si el motor está frío, presione gradualmente la palanca del estrangulador hacia la posición de estrangulamiento abierta hasta que tope.
- Si el motor está frío, déjelo funcionar durante 2 a 3 minutos para que se caliente antes de utilizar el producto.



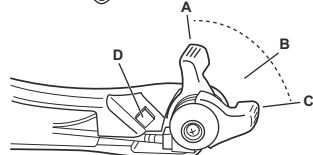
ADVERTENCIA: Se libera aire cuando se arranca el motor y cuando el producto se ajusta al régimen de ralentí. No permita que se acerquen personas al producto o al tubo de la sopladora.

Para accionar el interruptor del acelerador/detención

350BT



350BF



- Aplique aceleración máxima (A).
- Aplique 1/3 de la velocidad (B).
- Aplique el régimen de ralentí (C).
- Detenga el producto (D).

Para hacer funcionar el producto

- Esta sopladora tipo mochila se transporta con un arnés de hombro durante su funcionamiento. Se maneja y controla mediante la palanca en el tubo con la mano derecha.



- Opere el producto en las horas de trabajo habituales. Siga las normativas locales.
- Reduzca la cantidad de piezas del equipo y seleccione la velocidad correcta para su tarea. Utilice el acelerador en la posición más baja posible para evitar producir más ruido y polvo del necesario.
- Mantenga la boquilla de la sopladora cerca del suelo.

Nota: Husqvarna recomienda utilizar la extensión completa de la boquilla de la sopladora.

- Determine la dirección del viento y opere el producto en la dirección del viento.

- Utilice las herramientas de jardín correspondientes para liberar material del suelo.
- En zonas polvorientas, utilice un equipo de pulverización para humedecer la zona. Esto reduce el tiempo de funcionamiento.
- Después de la operación, almacene el producto en posición vertical.

Para detener el producto

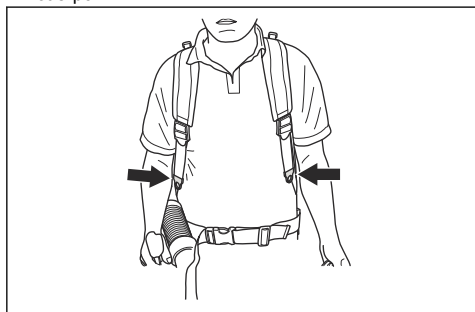


PRECAUCIÓN: No detenga el producto cuando funcione a máxima velocidad. Consulte *Para accionar el interruptor del acelerador/detención en la página 26.*

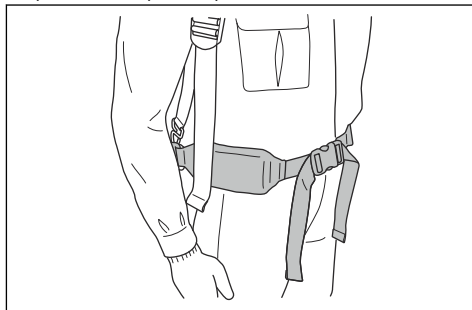
1. Para 350BT: Coloque el interruptor de arranque/detención con el acelerador en la posición de detención.
2. Para 350BF: Presione el interruptor de detención.

Para ajustar el arnés

1. Coloque el arnés del producto.
2. Apriete las correas de los hombros hasta que el producto quede firmemente apretado contra su cuerpo.



3. Colóquese el cinturón alrededor de la cintura.
4. Apriete la correa del cinturón. Asegúrese de que el peso de la sopladora permanezca en las caderas.



Mantenimiento

Introducción



ADVERTENCIA: Lea detenidamente el capítulo de seguridad antes de realizar mantenimiento en el producto.

Programa de mantenimiento

Mantenimiento	Diario	Una vez por semana	Una vez al mes
Limpie las superficies externas.	X		
Asegúrese de que el mango de control funcione correctamente.	X		

Mantenimiento	Diario	Una vez por semana	Una vez al mes
Asegúrese de que el interruptor de arranque/detención funcione correctamente. Consulte <i>Para comprobar el interruptor de arranque/detención en la página 22.</i>	X		
Examine el motor, el depósito de combustible y los conductos de combustible para determinar si hay fugas. Examine el filtro de combustible en busca de contaminación. Reemplace el filtro de combustible si es necesario.	X		
Limpie el filtro de aire. Reemplace el filtro de aire si es necesario.	X		
Apriete tuercas y tornillos.	X		
Examine la toma de aire y asegúrese de que no esté obstruida.	X		
Examine el arranque y la cuerda de arranque en busca de daños.		X	
Inspeccione los amortiguadores de vibraciones para determinar si presentan daños, grietas o deformación. Asegúrese de que los amortiguadores de vibraciones estén instalados correctamente.		X	
Examine la bujía. Consulte <i>Para comprobar la bujía en la página 28.</i>		X	
Limpie el sistema de refrigeración.		X	
Limpie la superficie exterior del carburador y el espacio que lo rodea.		X	
Limpie el depósito de combustible.			X
Examine todos los cables y conexiones.			X
Examine y limpie la rejilla de la red apagachispas en el silenciador (para productos sin catalizador).		X	
Examine y limpie la rejilla de la red apagachispas en el silenciador (para productos con catalizador).			X
Examine la bujía. Reemplácelos si es necesario.			X

Para ajustar el régimen de ralentí

1. Asegúrese de que el filtro de aire esté limpio y de que tenga la cubierta colocada.
2. Ajuste el régimen de ralentí con el tornillo de régimen de ralentí. Para conocer la ubicación del tornillo de régimen de ralentí en el producto, consulte *Descripción general del producto en la página 18.*

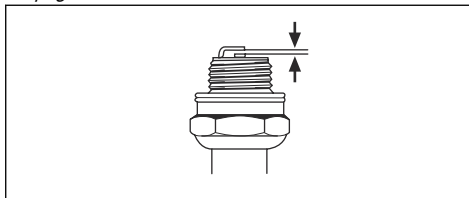
Para comprobar la bujía



PRECAUCIÓN: Utilice la bujía recomendada. Consulte *Datos técnicos en la página 32.* Una bujía incorrecta puede causar daños al producto.

1. Detenga el motor y deje que el producto se enfríe.
2. Limpie la bujía si está sucia.

3. Asegúrese de que la distancia entre los electrodos sea la correcta. Consulte *Datos técnicos en la página 32.*

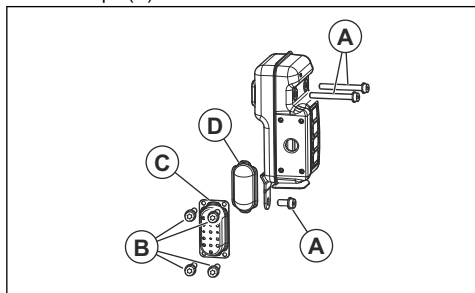


4. Reemplace la bujía cada mes o más a menudo si es necesario.

Para realizar tareas de mantenimiento en el silenciador

1. Detenga el motor y deje que el silenciador se enfríe. Utilice guantes protectores en todo momento.

2. Retire los tornillos (A), los tornillos (B) y el conducto de escape (C).



3. Quite la rejilla de la red apagachispas (D) y límpiela con un cepillo de alambre. Cambie la rejilla apagachispas si está dañada.
4. Quite la sujeción del silenciador y de la lumbrera de escape del cilindro con el cepillo de alambre.
5. Fije la rejilla de la red apagachispas (D) y el conducto de escape (C) con los tornillos (B). Apriete los tornillos a 2-3 Nm.
6. Apriete los tornillos (A) a entre 8 y 12 Nm. Asegúrese de que el silenciador esté correctamente unido al producto.

Para examinar y limpiar el sistema de refrigeración

El sistema refrigerante incluye las aletas de refrigeración en el cilindro y la rejilla de aspiración de aire.

1. Detenga el motor.
2. Asegúrese de que el sistema refrigerante no esté sucio ni obstruido. Si es necesario, limpie la rejilla de aspiración de aire y las aletas de refrigeración.



PRECAUCIÓN: Si el sistema refrigerante está sucio o bloqueado, puede aumentar la temperatura del motor y dañarlo. Una rejilla de aspiración de aire obstruida reduce la fuerza de soplado.

3. Revise si el sistema refrigerante presenta daños. Asegúrese de que las piezas están correctamente colocadas en el producto.

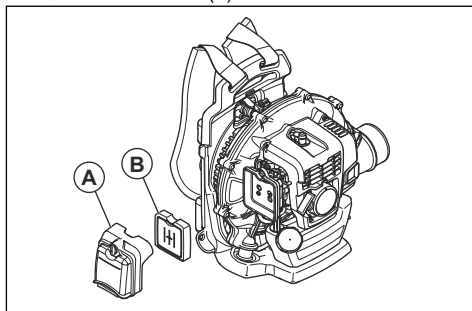
Para limpiar el filtro de aire



PRECAUCIÓN: No utilice un producto sin un filtro de aire o con un filtro de aire dañado. El polvo en el aire puede dañar el motor.

1. Presione el estrangulador hacia la posición de cierre.
2. Quite la cubierta del filtro de aire (A).

3. Quite el filtro de aire (B) del bastidor del filtro.



4. Limpie el filtro de aire con agua jabonosa tibia.

Nota: Si un filtro de aire se ha utilizado durante mucho tiempo, nunca quedará completamente limpio. Sustituya el filtro de aire periódicamente, al igual que cuando presente defectos.

5. Limpie la superficie interior de la cubierta del filtro de aire (A) con un cepillo.
6. Aplique aceite al filtro de aire. Consulte *Para aplicar aceite en el filtro de aire de espuma en la página 29*.
7. Coloque el filtro de aire en el bastidor del filtro.
8. Instale la cubierta del filtro de aire en el producto.

Para aplicar aceite en el filtro de aire de espuma



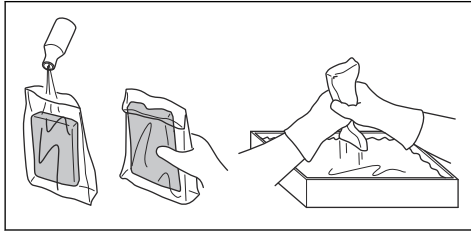
PRECAUCIÓN: Utilice siempre aceite especial Husqvarna para filtros de aire. No utilice otros tipos de aceite.



ADVERTENCIA: Utilice guantes protectores. El aceite del filtro de aire puede provocar irritación en la piel.

1. Coloque el filtro de aire de espuma en una bolsa de plástico.
2. Coloque el aceite en la bolsa de plástico.
3. Frote la bolsa de plástico para distribuir el aceite de manera uniforme en el filtro de aire de espuma.

4. Quite el aceite no deseado del filtro de aire de espuma mientras esté en la bolsa de plástico.



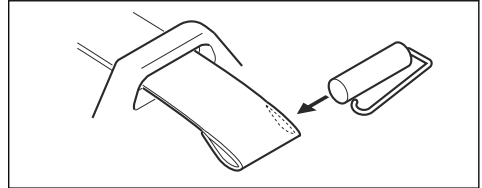
Para reemplazar el arnés



ADVERTENCIA: Un arnés dañado puede hacer que el producto se caiga y

provocar daños personales. Asegúrese de instalar la abrazadera correctamente.

1. Detenga el motor.
2. Quite la abrazadera de la correa.
3. Introduzca el extremo de la correa a través del ojal.
4. Tire de la correa nueva a través del ojal.
5. Coloque el pasador en la correa para fijar la abrazadera a la nueva correa.



Solución de problemas

No es posible arrancar el motor		
Verificar	Causa posible	Solución
Botón de detención.	Posición de parada	Mueva el interruptor de detención hacia la posición de arranque.
Ganchos de arranque	Ganchos de arranque del motor obstruidos o desgastados	Ajuste o reemplace los ganchos de arranque.
		Limpie alrededor de los ganchos de arranque.
		Consulte a un taller de servicio autorizado.
Depósito de combustible	Tipo de combustible incorrecto	Vacíe el depósito de combustible y utilice el combustible correcto.
Carburador.	Ajuste del régimen de ralentí.	Ajuste la velocidad de ralentí con el tornillo de ajuste de ralentí.
Chispa (sin chispa).	Bujía sucia o mojada.	Asegúrese de que la bujía esté limpia y seca.
	La distancia entre los electrodos en la bujía es incorrecta.	Limpie la bujía. Asegúrese de que la distancia entre los electrodos sea la correcta. Asegúrese de que la bujía está instalada con un supresor.
		Consulte los datos técnicos para conocer la distancia correcta entre los electrodos.
Bujía	La bujía está suelta.	Ajuste la bujía.
	Hay material no deseado en los electrodos de la bujía.	Asegúrese de que la mezcla de combustible es la correcta.
		Asegúrese de que el filtro de aire esté limpio.

El motor arranca, pero se detiene de nuevo.		
Verificar	Causa posible	Solución
Depósito de combustible	Tipo de combustible incorrecto	Vaciélo y utilice el combustible correcto.
Carburador.	El motor no funciona correctamente a régimen de ralentí.	Consulte a su concesionario de servicio.
Filtro de aire.	Filtro de aire obstruido.	Limpie el filtro de aire.

Transporte y almacenamiento

Transporte y almacenamiento



ADVERTENCIA: Para evitar el riesgo de incendio, asegúrese de que no haya fugas ni liberación de gases durante el transporte o el almacenamiento. Asegúrese de que no haya riesgo de chispas o incendio.

- Vacíe el depósito de combustible antes del transporte o de un almacenamiento prolongado. Empuje el bulbo de purga de aire para asegurarse de que se haya quitado todo el combustible. Deseche el combustible en un lugar adecuado para tal propósito.
- Asegúrese de que el producto esté limpio y de que se le realice un mantenimiento completo antes de un almacenamiento prolongado.
- Extraiga la bujía y ponga aproximadamente 15 ml de aceite para motores de dos tiempos en el cilindro. Gire el producto 3 veces e instale nuevamente la bujía.
- Fije el producto de manera segura al vehículo durante el transporte.
- Mantenga el producto en un lugar seco, fresco y limpio con un flujo de aire adecuado. Mantenga el producto alejado de los niños.

Datos técnicos

Datos técnicos

	Husqvarna 350BT	Husqvarna 350BF
Motor		
Cilindrada, cm ³ / pulg. ³	50,2 / 3,06	50,2 / 3,06
Régimen de ralentí, rpm	2200	2200
Catalizador	No	No
Sistema de encendido²		
Bujía	NGK CMR7H / TORCH AC7R	NGK CMR7H / TORCH AC7R
Distancia entre los electrodos, mm / pulg.	0,6-0,7 / 0,023-0,027	0,6-0,7 / 0,023-0,027
Combustible y sistema de lubricación		
Capacidad del depósito de combustible, l / pinta EE. UU.	1,25 / 2,64	1,25 / 2,64
Peso		
Peso sin combustible, kg / lb	10,2 / 22,5	10,4 / 22,9
Rendimiento del ventilador		
Velocidad máxima del aire con boquilla de la sopladora, m/s / mph	80 / 180	80 / 180
Flujo de aire con boquilla de la sopladora, m ³ / min/cfm	14 / 494	14 / 494

² El sistema de encendido por chispa cumple con la norma canadiense ICES-002.

Garantía

DECLARACIÓN DE GARANTÍA DEL CONTROL DE EMISIONES DE VAPORES Y DE ESCAPE CONFORME A LA NORMATIVA DE CALIFORNIA, LA NORMATIVA FEDERAL DE LOS ESTADOS UNIDOS Y LA NORMATIVA DE CANADÁ

DERECHOS Y OBLIGACIONES DE LA GARANTÍA

La Junta de Recursos del Aire de California (CARB, del inglés California Air Resources Board), la Agencia de Protección Medioambiental de EE. UU. (EPA, del inglés Environmental Protection Agency), el ministerio de Medioambiente y Cambio Climático de Canadá Husqvarna Professional Products, Inc. se complacen en profundizar sobre la garantía del sistema de control de emisiones de vapores y de escape ("emisiones") para 2021-2022 motores pequeños para todoterreno". En el estado de California, los nuevos equipos que utilizan motores pequeños para todoterreno se deben diseñar, construir y equipar conforme a las estrictas normas de control de emisiones contaminantes del Estado. Husqvarna Professional Products, Inc. debe proporcionar una garantía para el sistema de control de emisiones del motor pequeño para todoterreno por los períodos que se indican a continuación, siempre que no haya ningún abuso, negligencia ni mantenimiento incorrecto del motor pequeño para todoterreno o del equipo que pueda provocar la falla del sistema de control de emisiones. El sistema de control de emisiones puede incluir piezas como un carburador o un sistema de inyección de combustible, un sistema de encendido, un catalizador, depósitos de combustible, tuberías de combustible (para combustible líquido y vapores de combustible), tapones de combustible, válvulas, depósitos, filtros, abrazaderas y otros componentes asociados. Además, puede incluir mangueras, correas, conectores y otros montajes relacionados con las emisiones. Cuando exista una condición cubierta por la garantía, Husqvarna Professional Products, Inc. reparará el motor de pequeña cilindrada para todoterreno sin costo, incluido el diagnóstico, las piezas y la mano de obra.

COBERTURA DE LA GARANTÍA DEL FABRICANTE

El sistema de control de emisiones de vapores y de escape del motor pequeño para todoterreno tiene una garantía de dos años. Si alguna de las piezas del motor de pequeña cilindrada para todoterreno relacionada con las emisiones tiene una falla, Husqvarna Professional Products, Inc. reparará o reemplazará la pieza.

RESPONSABILIDADES DE GARANTÍA DEL PROPIETARIO

- Como propietario del motor pequeño para todoterreno, usted es responsable de la ejecución del mantenimiento necesario que se detalla en el manual del propietario. Husqvarna Professional Products, Inc. recomienda que conserve todos los recibos que cubran el mantenimiento del motor pequeño para todoterreno; sin embargo, Husqvarna Professional Products, Inc. no puede negar la cobertura de la garantía solo por la falta de recibos o porque no pueda garantizar la realización de todo el mantenimiento programado.
- No obstante, como propietario del motor de pequeña cilindrada para todoterreno debe saber que Husqvarna Professional Products, Inc. puede negar la cobertura de la garantía si dicho motor o una de sus piezas falló como resultado del abuso, negligencia o mantenimiento incorrecto, o modificaciones no aprobadas.
- Usted es responsable de llevar el motor de pequeña cilindrada para uso fuera de carretera a un concesionario de servicio Husqvarna Professional Products, Inc. autorizado lo antes posible en cuanto surja un problema. Las reparaciones bajo garantía se deben realizar dentro de un tiempo razonable que no supere los 30 días. Si tiene preguntas acerca de los derechos y las responsabilidades que implica esta garantía, debe comunicarse con Husqvarna Professional Products, Inc. en EE. UU. al 1-800-487-5951, en CANADÁ al 1-800-805-5523 o enviar un correo electrónico a emissions@husqvarnagroup.com o warranty@hpp-emissions.com.

FECHA DE INICIO DE LA GARANTÍA

El período de garantía comienza en el momento en que se entrega el motor o equipo al comprador final.

EXTENSIÓN DE LA COBERTURA

Husqvarna Professional Products, Inc. le garantiza al comprador final y a cualquier comprador posterior que el motor, así como el equipo, se diseñaron, construyeron y equiparon para que cumplan con las normativas pertinentes adoptadas por la CARB y la EPA, y que está libre de defectos en cuanto a materiales y mano de obra que causen la falla de una pieza cubierta por la garantía durante un período de dos años.

ELEMENTOS CON COBERTURA

REPARACIÓN O REEMPLAZO DE PIEZAS: La reparación o el reemplazo de cualquier pieza defectuosa en garantía se realizará sin cargo para el propietario en un taller de servicio autorizado. El propietario puede elegir el taller de reparación o una persona que realice los servicios de mantenimiento, reemplazo o reparación de los dispositivos y sistemas de control de emisiones, con excepción de las reparaciones y el reemplazo detallados en esta garantía de control de emisiones. Sin embargo, Husqvarna

Professional Products, Inc. recomienda que un taller de servicio autorizado de la marca realice todos los servicios de mantenimiento, reemplazo y reparación de los dispositivos y sistemas de control de emisiones.

IMPORTANTE: Este producto cumple con la normativa Fase 3 de la EPA (Environmental Protection Agency, Agencia de Protección Medioambiental) de EE. UU. referente a emisiones de escape y evaporación. Para garantizar el cumplimiento de la EPA Fase 3 de EE. UU. y con las regulaciones de la Junta de Recursos del Aire de California (California Air Resources Board) y del ministerio de Medioambiente y Cambio Climático de Canadá (Environment and Climate Change Canada), recomendamos utilizar únicamente piezas de repuesto originales de la marca del producto. El uso de piezas de repuesto que no cumplan con esta norma es una violación de las leyes federales y estatales.

PERÍODO DE GARANTÍA: Cualquier pieza cubierta por la garantía que no esté programada para reemplazo como mantenimiento necesario, o que esté programada solo para una inspección regular al efecto de "reparación o reemplazo según sea necesario", contará con una garantía de 2 años (o la duración establecida en la garantía del producto, lo que sea mayor) desde la fecha de compra del comprador original. Toda pieza que esté programada para su sustitución como parte del mantenimiento necesario estará garantizada por el período hasta la primera sustitución programada de la pieza. Cualquier pieza reparada o sustituida en conformidad con la garantía debe estar garantizada durante el lapso restante del período.

DIAGNÓSTICO: No se aplicarán tarifas por los trabajos de diagnóstico que lleven a determinar que una pieza bajo garantía se encuentra de hecho defectuosa, siempre y cuando dicho trabajo de diagnóstico se realice en un taller de servicio autorizado de la marca.

OTROS DAÑOS: Husqvarna Professional Products, Inc. reparará los daños a otros componentes del motor causados por la falla de una pieza garantizada que aún se encuentre cubierta por la garantía.

LISTADO DE PIEZAS DE EMISIONES CUBIERTAS POR LA GARANTÍA

1. Carburador y piezas de admisión o sistemas de inyección de combustible.
2. Filtro de aire y filtro de combustible, cubiertos hasta el programa de mantenimiento.
3. Bujía, cubierta hasta el programa de mantenimiento.
4. Módulo de ignición.
5. Silenciadores con catalizadores y colectores de escape.
6. Depósito de combustible, tuberías de combustible (para combustible líquido y vapores de combustible), tapón de combustible, depósito de carbono y válvulas de seguridad o antiderrame, según corresponda**.
7. Controles electrónicos, y válvulas e interruptores susceptibles al tiempo, la temperatura y la succión.
8. Mangueras, conectores y montajes.

9. Todos los otros componentes cuya falla aumentaría las emisiones de vapores y de escape del motor de cualquier contaminante reglamentado, como se establece en la siguiente sección:

- En el caso del estado de California, consulte el California Code of Regulation (Código de Regulaciones de California) 13 CCR §2405(d) y 2760(d).
- Para los Estados Unidos y Canadá, consulte el US Federal Code of Regulations (Código de disposiciones federales de los Estados Unidos), 40 C.F.R 1068, Anexo I (III).

ELEMENTOS SIN COBERTURA

Las fallas causadas por abuso, negligencia, modificaciones no aprobadas, mal uso o mantenimiento incorrecto no están cubiertas por la garantía.

AÑADIDURAS O PIEZAS MODIFICADAS: No pueden utilizarse las añadiduras o piezas modificadas no exentas por la CARB o la EPA. La utilización de añadiduras o de piezas modificadas no exentas podrá servir de fundamento para anular una reclamación de garantía. Husqvarna Professional Products, Inc. no será responsable de las fallas de garantía de las piezas garantizadas provocadas por el uso de complementos o piezas modificadas no exentas.

CÓMO PRESENTAR UNA RECLAMACIÓN

Si tiene preguntas relacionadas con sus derechos y responsabilidades de la garantía, deberá comunicarse con su concesionario de servicio autorizado más cercano o llamar a Husqvarna Professional Products, Inc. en EE. UU. al 1-800-487-5951, en CANADÁ al 1-800-805-5523 o enviar un correo electrónico a emissions@husqvarnagroup.com o warranty@hpp-emissions.com.

DÓNDE OBTENER SERVICIOS DE LA GARANTÍA

Las reparaciones o los servicios de la garantía se brindan a través de todos los talleres de servicio autorizados de Husqvarna Professional Products, Inc.. Si el taller de servicio autorizado más cercano se encuentra a más de 160 kilómetros (100 millas) de su ubicación, Husqvarna Professional Products, Inc. se encargará de organizar y pagar los costos de envío al taller de servicio autorizado de la marca, y desde este, o dispondrá un servicio de garantía en conformidad con las normativas correspondientes.

MANTENIMIENTO, REEMPLAZO Y REPARACIÓN DE PIEZAS RELACIONADAS CON EL CONTROL DE EMISIONES

Cualquier pieza para sustituir una defectuosa puede utilizarse en cualquier mantenimiento o reparación bajo garantía y deben proporcionarse al propietario sin cargo. Dicho uso no reducirá las obligaciones de la garantía por parte del fabricante.

DECLARACIÓN DE MANTENIMIENTO

El propietario es responsable de la realización de todo el mantenimiento requerido, según se establece en el manual del propietario.

* El año del modelo actual y subsiguiente se actualizará anualmente en la declaración de garantía proporcionada al consumidor. Por ejemplo, en el año del modelo 2012, se especificará 2012-2013.

** Piezas de emisiones evaporativas.

Table des matières

Introduction.....	36	Dépannage.....	48
Sécurité.....	39	Transport et entreposage.....	49
Montage.....	41	Données techniques.....	50
Fonctionnement.....	43	Garantie.....	51
Entretien.....	46		

Introduction

Proposition 65 de la Californie



ATTENTION!

Les émissions du moteur de cet outil contiennent des produits chimiques qui, d'après l'État de Californie, peuvent causer le cancer, des malformations congénitales ou autre danger pour la reproduction

Description du produit

Ce produit est un souffleur dorsal avec moteur thermique.

Nous avons une politique de développement continu et nous réservons donc le droit de modifier la conception et l'apparence des produits sans préavis.

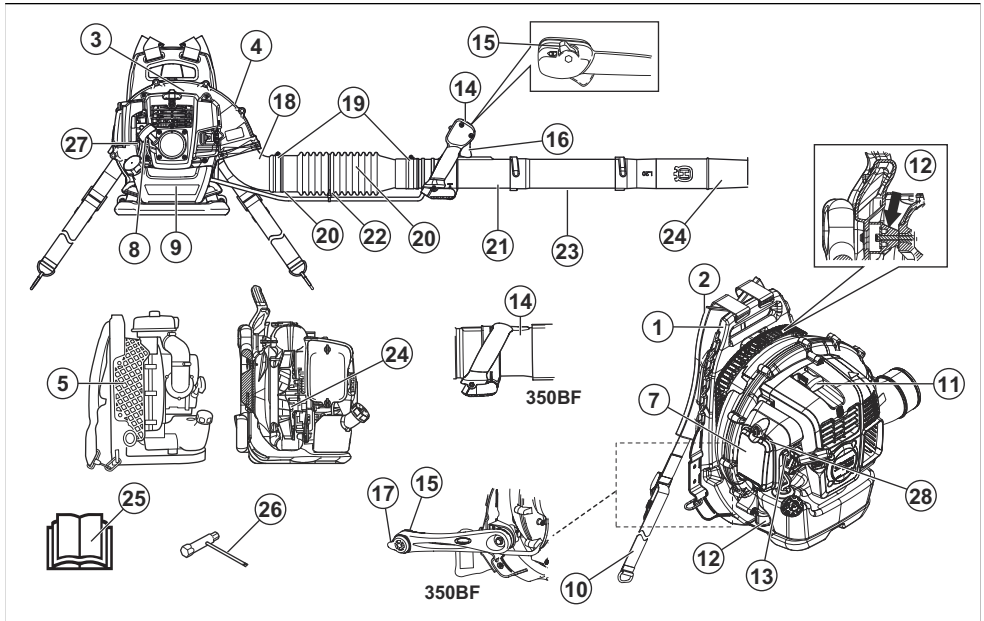
Utilisation prévue

Utiliser ce produit pour souffler les feuilles et les autres matériaux indésirables des zones telles que des pelouses, des allées et des voies asphaltées.

Canada EMC

Ce système d'allumage par étincelle de véhicule est conforme à la norme NMB-002 du Canada.

Présentation de la machine



1. Cadre
2. Harnais
3. Couvercle moteur
4. Couvercle du ventilateur
5. Grille de prise d'air
6. Ventilateur
7. Filtre à air
8. Corde du lanceur
9. Réservoir de carburant
10. Ceinture
11. Bougie d'allumage
12. Système antivibrations
13. Commande de l'étrangleur
14. Poignée de commande
15. Interrupteur de marche/arrêt avec commande d'accélération (350BT)/Interrupteur d'arrêt (350BF)
16. Gâchette d'accélération
17. Levier d'accélération (350BF)
18. Tuyau coudé
19. Collier
20. Tuyau flexible
21. Tuyau de commande
22. Collier de câble
23. Tuyau intermédiaire
24. Buse
25. Manuel d'utilisation

26. Clé à usages multiples
27. Pompe de purge d'air
28. Vis du régime de ralenti du moteur

Symboles figurant sur le produit



AVERTISSEMENT! Ce produit peut être dangereux et causer des blessures très graves, ou même mortelles, à l'utilisateur et à d'autres personnes. Faire attention et utiliser le produit correctement.



Avant d'utiliser la tondeuse, lire attentivement le manuel d'utilisation et veiller à bien comprendre les directives.



Utiliser un dispositif de protection pour les oreilles et des lunettes de protection homologués. Si l'environnement contient de la poussière, utiliser un masque respiratoire.



Utiliser des gants de protection homologués.



Mélange d'essence et d'huile pour moteur à deux-temps.



Pompe à carburant.



Garder les parties du corps à l'écart des surfaces chaudes.



Étrangleur en position ouverte.



Étrangleur en position fermée.



Faire preuve de prudence à l'égard des projections d'objets. La projection d'objets peut causer des blessures graves. Utiliser de l'équipement de protection individuelle.



Maintenir une distance de sécurité d'au moins 15 m avec d'autres personnes ou des animaux.

yyyywwxxxx

La plaque signalétique indique le numéro de série. yyyy représente l'année de production et ww indique la semaine de production.

Remarque : Les autres symboles/autocollants présents sur l'outil renvoient aux exigences en matière de certification pour d'autres zones commerciales.

EPA III

EMISSION CONTROL INFORMATION

HUSQVARNA AB HUSKVARNA SWEDEN

THIS ENGINE MEETS U.S. EPA AND CALIFORNIA EXH/EVP REGS FOR [REDACTED] SORE. REFER TO OPERATOR'S MANUAL FOR MAINTENANCE SPECIFICATIONS AND ADJUSTMENTS. EMISSIONS COMPLIANCE PERIOD : [REDACTED]

La période de conformité aux normes d'émissions indiquée sur les étiquettes de conformité aux normes d'émissions se rapporte au nombre d'heures de fonctionnement du moteur qui répond aux exigences fédérales en matière d'émissions. N'importe quel établissement ou agent de réparation de moteur non routier peut effectuer l'entretien, le remplacement et la réparation des dispositifs et du système de contrôle des émissions.

ABRÉVIATIONS SUR LES ÉTIQUETTES DU SYSTÈME DE CONTRÔLE DES ÉMISSIONS

Généralités :

CAL	Californie	EXH/EVP	Échappement et évaporation	REGS	Règlements
DISPL	Cylindrée	EVAP	Évaporation	SORE	Petits moteurs hors route
ECS	Système de contrôle des émissions	HRS	Heures	US EPA	Office de protection de l'environnement des États-Unis

Système de contrôle des émissions d'échappement :

ECM	Module de commande du moteur (Autotune)	OC	Catalyseur oxydant
EM	Modification du moteur	TWC	Catalyseur trifonctionnel

Systèmes de contrôle des émissions par évaporation :

C	Coextrudé (multi-couche)	P	Polyéthylène ou polyéthylène haute densité traité
N	Nylon	S	Fermé hermétiquement

Responsabilité concernant le produit

Comme indiqué dans les lois en vigueur sur la responsabilité concernant les produits, nous ne serons pas tenus responsables des dommages que notre produit causerait dans les situations suivantes :

- Le produit n'est pas réparé de façon adéquate.

- Le produit est réparé avec des pièces qui ne sont pas fournies ou homologuées par le fabricant.
- Le produit comprend un accessoire qui n'est pas fourni ou homologué par le fabricant.
- Le produit n'est pas réparé par un centre de service après-vente agréé ou par une autorité homologuée.

Sécurité

Définitions relatives à la sécurité

Les définitions ci-dessous indiquent le niveau de gravité pour chaque mot signal.



AVERTISSEMENT : Blessures aux personnes.



MISE EN GARDE : Dommages causés à l'outil.

Remarque : Cette information facilite l'utilisation de l'outil.

Consignes générales de sécurité



AVERTISSEMENT : Lire les messages d'avertissement qui suivent avant d'utiliser l'outil.

- Ne pas modifier le produit sans l'approbation du fabricant et utiliser toujours des accessoires d'origine. Les modifications ou accessoires non autorisés peuvent entraîner des blessures graves ou la mort de l'opérateur ou d'autres personnes.
- Ne pas utiliser l'outil s'il est endommagé. Effectuer les vérifications de sécurité et l'entretien conformément aux instructions présentées dans le manuel de l'opérateur. Tous les autres travaux d'entretien doivent être effectués par du personnel d'entretien agréé.
- Tous les travaux d'entretien et de réparation doivent être effectués par du personnel d'entretien agréé. Si une partie du produit est défectueuse, communiquer avec votre centre de services.

Instructions de sécurité pour l'utilisation



AVERTISSEMENT : Lire les messages d'avertissement qui suivent avant d'utiliser le produit.

- Ce produit peut être dangereux et causer des blessures très graves, ou même mortelles, à

l'opérateur et à d'autres personnes. Faire attention et utiliser le produit correctement.

- Vérifier le produit avant son utilisation. Se reporter à *Entretien à la page 46*.
- Ne pas utiliser l'outil si vous êtes fatigué, malade ou sous l'emprise de l'alcool ou d'une drogue qui peuvent diminuer l'acuité visuelle, le jugement ou la coordination.
- Poser les couvercles et les protections avant l'utilisation. Pour éviter tout risque d'électrocution, s'assurer que le chapeau de bougie et le câble d'allumage ne sont pas endommagés.
- Ne pas toucher la bougie d'allumage ou le câble d'allumage lorsque le moteur est en marche.
- Maintenir une distance de sécurité d'au moins 15 m avec d'autres personnes ou des animaux. Si des personnes, des enfants ou des animaux s'approchent à moins de 15 m, arrêter le produit. Éloigner le produit des personnes, des animaux, des fenêtres ouvertes et d'autres objets.
- Ne pas laisser un enfant utiliser la machine. S'assurer que les opérateurs lisent et comprennent le contenu de ce manuel d'utilisation.
- Garder les mains ou d'autres objets à l'écart du carter du souffleur pendant le fonctionnement. Les pièces en rotation peuvent engendrer de graves blessures.
- Ne pas utiliser le produit si la grille d'entrée d'air n'est pas installée. Toujours s'assurer que la grille d'entrée d'air est installée et qu'elle n'est pas endommagée avant l'utilisation.
- En cas d'urgence, relâcher la ceinture et la sangle d'épaule du harnais et laisser tomber le produit.
- Respecter les directives et règlements nationaux.
- Garder les parties du corps à l'écart des surfaces chaudes.
- Ce produit génère un champ électromagnétique pendant le fonctionnement. Ce champ magnétique peut, dans certains cas, nuire aux implants médicaux actifs ou passifs. Pour réduire le risque de blessures graves ou mortelles, nous recommandons aux personnes ayant des implants médicaux de consulter leur médecin et le fabricant de l'implant médical avant d'utiliser le produit.
- Une vibration trop importante peut endommager la circulation ou le système nerveux. Parler à un médecin en cas de symptômes suivants : engourdissement, perte de sensibilité, fourmillement, picotement, douleur, faiblesse musculaire,

décoloration de la peau au niveau des doigts, des mains ou des poignets.

- Faire preuve de prudence à l'égard des projections d'objets. La projection d'objets peut causer des blessures graves.
- Ne pas utiliser le produit par mauvais temps (brouillard, pluie, vents violents et froid intense). Travailler par mauvais temps peut provoquer une fatigue et des conditions dangereuses.
- S'assurer qu'on peut se déplacer et garder une position stable. Vérifier la zone de travail pour détecter d'éventuels obstacles tels que des pierres. Faire attention lors de l'utilisation du produit dans une pente.
- Ne pas placer le produit sur le sol quand le moteur est en marche.
- Ne pas utiliser le produit à partir de positions élevées, par exemple sur une échelle.
- S'assurer de toujours être entendu en cas d'accident.
- S'assurer que la sortie de gaz d'échappement n'est pas obstruée. Pour éviter d'endommager le produit, maintenir les obstacles à une distance minimale de 50 cm de la sortie de gaz d'échappement.
- Ne pas démarrer le produit à l'intérieur, dans un endroit avec une mauvaise ventilation ou à proximité de matériaux inflammables. Les gaz d'échappement du moteur contiennent du monoxyde de carbone pouvant provoquer l'intoxication. Les gaz d'échappement du moteur sont très chauds et peuvent contenir des étincelles qui peuvent causer un incendie.

- Utiliser des vêtements en tissus résistants longs. Ne pas porter de bijoux et de chaussures ouvertes. Pour réduire le risque de blessure, vos vêtements doivent être ajustés, mais ne doivent pas limiter vos mouvements. Garder les cheveux au-dessus des épaules pour éviter qu'ils ne pénètrent dans les pièces en rotation ou qu'ils ne s'accrochent aux branches.
- Utiliser une protection respiratoire lorsqu'il y a un risque de poussière.
- Maintenir l'équipement de premiers secours à proximité.

Dispositifs de sécurité sur l'outil



AVERTISSEMENT : Lire les messages d'avertissement qui suivent avant d'utiliser l'outil.

- Ne pas utiliser un outil dont les dispositifs de protection sont défectueux.
- Vérifier régulièrement les dispositifs de sécurité. Reportez-vous à *Entretien à la page 46*.
- Si les dispositifs de sécurité sont défectueux, communiquer avec votre centre de services Husqvarna

Pour vérifier le silencieux



AVERTISSEMENT : Ne pas utiliser un produit dont le silencieux est défectueux.



AVERTISSEMENT : Le silencieux devient extrêmement chaud pendant et après utilisation, même lorsque le moteur tourne au ralenti. Utiliser des gants de protection pour éviter des brûlures.



AVERTISSEMENT : L'intérieur du silencieux contient des produits chimiques pouvant être cancérigènes. Ne pas toucher le silencieux s'il est endommagé.

- Effectuer régulièrement une vérification visuelle du silencieux. Le silencieux maintient le niveau sonore au minimum et dirige les gaz d'échappement loin de l'utilisateur. Se reporter à la section *Pour entretenir le silencieux à la page 47*.

Pour vérifier le système antivibrations

1. S'assurer que les unités antivibrations ne présentent aucune fissure ou déformation.
2. S'assurer que les unités antivibrations sont correctement fixées à l'unité à moteur et à l'ensemble poignée.

Équipement de protection personnelle



AVERTISSEMENT : Lire les messages d'avertissement qui suivent avant d'utiliser l'appareil.

- Utiliser un équipement de protection personnelle homologué lors de l'utilisation du produit. Cet équipement de protection personnelle n'élimine pas complètement les risques de blessures, mais il peut en réduire la gravité. Pour obtenir de plus amples renseignements, communiquer avec votre concessionnaire.
- Porter un dispositif de protection homologué pour les oreilles. L'exposition prolongée au bruit peut causer des lésions auditives permanentes.
- Utiliser un dispositif de protection homologué pour les yeux. Porter également des lunettes de protection homologuées en cas d'utilisation d'une visière. Les lunettes de protection homologuées doivent être conformes à la norme ANSI Z87.1 aux États-Unis ou à la norme EN 166 dans les pays de l'Union européenne.
- Utiliser des gants de protection pendant l'utilisation et l'entretien.
- Utiliser des bottes de protection ou des chaussures avec semelles antidérapantes.

Reportez-vous à la section *Présentation de la machine à la page 37* pour obtenir des renseignements sur l'emplacement du système antivibrations sur votre produit.

Pour vérifier l'interrupteur de marche/arrêt

1. Utiliser l'interrupteur de marche/arrêt pour arrêter le moteur.
2. S'assurer que le moteur s'arrête complètement.

Pour connaître l'emplacement de l'interrupteur de marche/arrêt sur votre produit, se reporter à *Présentation de la machine à la page 37*.

Sécurité du harnais

- S'assurer que la ceinture est fixée et ajustée correctement. Les extrémités lâches du harnais peuvent pénétrer dans les pièces en rotation et endommager le ventilateur. Si le ventilateur est endommagé, les pièces lâches du produit peuvent être éjectées et entraîner des blessures ou des dommages.

Sécurité – carburant



AVERTISSEMENT : Lire les messages d'avertissement qui suivent avant d'utiliser l'outil.

- Ne pas mélanger ou ajouter le carburant à l'intérieur ou à proximité d'une source de chaleur.

- Ne pas démarrer le produit si de l'huile ou du carburant se renverse sur le produit ou sur le corps.
- Ne pas démarrer l'outil si le moteur présente une fuite. Vérifier régulièrement le moteur à la recherche de fuites de carburant.
- Toujours faire preuve de prudence lors de la manipulation du carburant. Celui-ci est inflammable et ses vapeurs sont explosives et peuvent causer des blessures graves ou la mort.
- Ne pas respirer les vapeurs de carburant, car elles peuvent causer des blessures. Vérifier que la ventilation est suffisante.
- Ne pas fumer à proximité du carburant ou du moteur.
- Ne pas placer le produit ou un bidon d'essence près d'objets chauds, d'une flamme nue, d'étincelles ou d'une veilleuse.
- Utiliser toujours des contenants agréés pour entreposer ou transporter le carburant.

Instructions de sécurité pour l'entretien



AVERTISSEMENT : Lire les messages d'avertissement qui suivent avant d'utiliser l'outil.

- Arrêter le moteur, retirer la bougie et laisser refroidir le moteur avant l'entretien et le montage.
- Un écran pare-étincelles bloqué engendre une surchauffe du moteur, ce qui lui cause des dommages.

Montage

Introduction

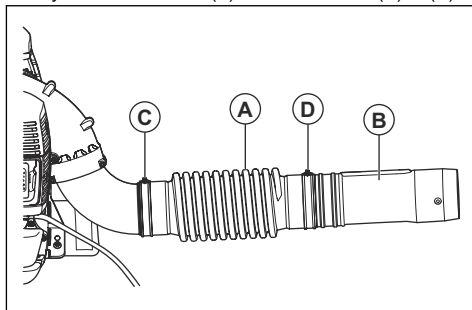


AVERTISSEMENT : Lire et comprendre le chapitre sur la sécurité avant d'assembler le produit.

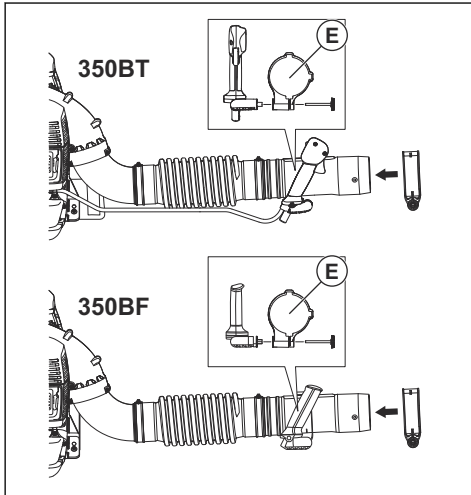
Pour assembler le tuyau du souffleur et la poignée de commande sur le produit

Remarque : Lubrifier les tubes et le tuyau flexible pour faciliter leur montage.

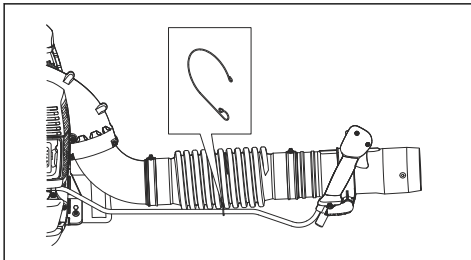
1. Fixer le tuyau flexible (A) sur le tuyau coudé et le tuyau de commande (B) avec les colliers (C) et (D).



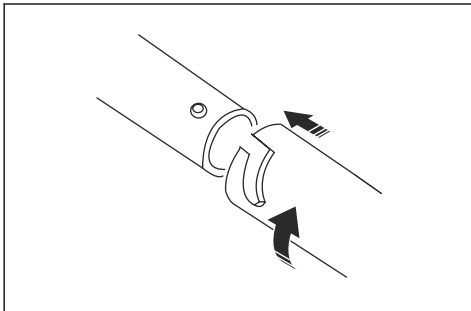
- Fixer le support de la poignée (E) sur le tuyau de commande. Aligner le support de la poignée avec la bride du tuyau de commande.



- Régler la position et l'angle de la poignée de commande sur une position de travail sécuritaire et correcte. Serrer le bouton.
- Pour 350BT : Attacher les câbles au tuyau flexible avec le collier du câble.



- Fixer le tube intermédiaire sur le tuyau de commande.



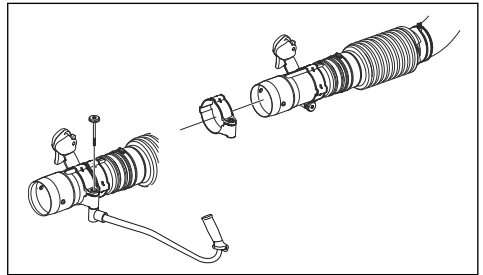
Remarque : S'il est nécessaire d'utiliser un tuyau de souffleur circulaire plus long, un tuyau intermédiaire étendu est disponible.

- Fixer la buse du souffleur sur le tube intermédiaire.

Remarque : La buse ne peut être raccordée qu'au tuyau intermédiaire.

Montage du guidon (accessoire en option)

- Démonter le tuyau intermédiaire.
- Retirer le bouton du support et pousser le support sur le tuyau de commande.
- Installer le guidon et le bouton. Serrer le bouton.

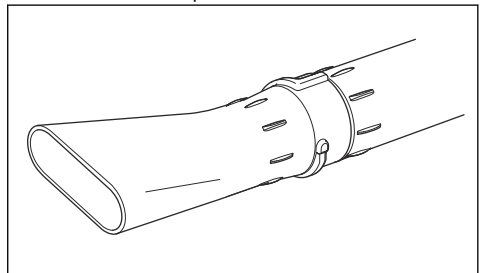


- Monter le tuyau intermédiaire.

Montage de la buse plate (accessoire en option)

La buse plate fournit un débit d'air plus élevé que la buse de soufflante.

- Retirer la buse de soufflante du tuyau intermédiaire et installer la buse plate.



Fonctionnement

Introduction



AVERTISSEMENT : Lire et comprendre le chapitre sur la sécurité avant d'utiliser le produit.

Carburant

Cet outil est équipé d'un moteur à deux-temps.



MISE EN GARDE : Un type de carburant inapproprié peut endommager le moteur. Utiliser un mélange d'essence et d'huile pour moteur à deux-temps.

Carburant prémélangé

- Utiliser du carburant alkylat prémélangé Husqvarna, pour atteindre une performance optimale et un prolonger la durée de vie du moteur. Ce carburant contient moins de substances chimiques nocives par rapport à un carburant régulier, ce qui réduit les gaz d'échappement nocifs. La quantité de dépôts après combustion est inférieure avec ce carburant, ce qui maintient les composants du moteur plus propres.

Pour mélanger le carburant

Essence

- Utiliser de l'essence sans plomb de bonne qualité contenant au maximum 10 % d'éthanol.



MISE EN GARDE : Ne pas utiliser d'essence à indice d'octane inférieur à 90 RON (87 AKI). L'utilisation d'un indice d'octane inférieur peut entraîner le cognement du moteur, ce qui provoque des dommages au moteur.

Huile à moteur deux temps

- Pour obtenir un meilleur résultat et un fonctionnement optimal, utiliser l'huile pour moteur à deux-temps Husqvarna.
- Si l'huile pour moteur à deux temps Husqvarna n'est pas disponible, utiliser une huile pour moteur à deux temps de bonne qualité destinée aux moteurs refroidis à l'air. Communiquer avec votre centre de services pour sélectionner l'huile appropriée.



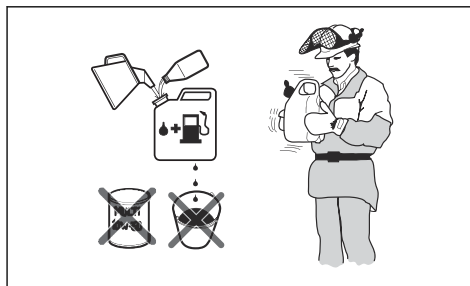
MISE EN GARDE : Ne pas utiliser l'huile pour moteur à deux temps dans des moteurs hors-bord refroidis à l'eau, également appelée huile pour moteur hors-bord. Ne pas utiliser l'huile pour des moteurs à quatre temps.

Pour mélanger l'essence et l'huile pour moteur à deux temps

Essence, litre	Huile pour moteur à deux temps, litre
	2 % (50:1)
5	0,10
10	0,20
15	0,30
20	0,40
gallon US	once liquide US
1	2 ½
2 1/2	6 ½
5	12 ¾



MISE EN GARDE : De petites erreurs peuvent influencer considérablement le ratio de mélange lors du mélange de petites quantités de carburant. Mesurer soigneusement la quantité d'huile et s'assurer d'obtenir le mélange approprié.



- Remplir la moitié de la quantité d'essence dans un récipient propre destiné à contenir du carburant.
- Ajouter la quantité totale d'huile.
- Agiter le mélange de carburant.
- Ajouter la quantité restante d'essence dans un récipient.
- Agiter avec précaution le mélange de carburant.



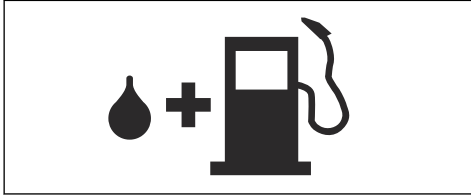
MISE EN GARDE : Ne pas mélanger le carburant pendant plus de 1 mois à la fois.

Remplissage du réservoir de carburant



AVERTISSEMENT : Respecter la procédure suivante pour assurer la sécurité.

1. Couper le moteur et le laisser refroidir.
2. Nettoyer la zone autour du bouchon du réservoir de carburant.



3. Secouer le bidon et s'assurer que le carburant est complètement mélangé.
4. Retirer le bouchon du réservoir de carburant lentement pour libérer la pression.
5. Remplir le réservoir de carburant.



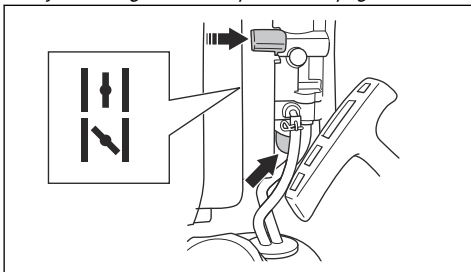
MISE EN GARDE : S'assurer qu'il n'y a pas trop de carburant dans le réservoir. Le carburant se dilate lorsqu'il devient chaud.

6. Serrer fermement le bouchon du réservoir de carburant.
7. Nettoyer le déversement de carburant sur le produit et autour de celui-ci.
8. Éloigner le produit de 3 m (10 pi) ou plus de la zone de remplissage et de la source de carburant avant de démarrer.

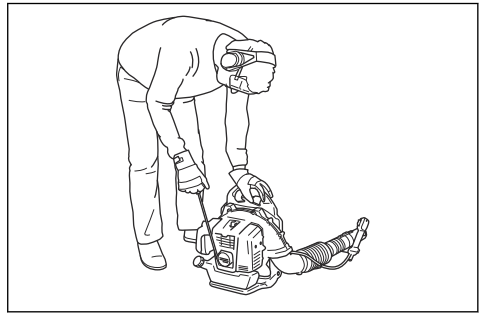
Remarque : Pour connaître l'emplacement du réservoir de carburant sur votre machine, se reporter à *Présentation de la machine à la page 37*.

Mise sous tension de l'appareil

1. Si le moteur est froid, pousser le volet de départ (C) à la position du starter. Se reporter à la section *Symboles figurant sur le produit à la page 37*.



2. Appuyer sur la poire de purge d'air à plusieurs reprises jusqu'à ce que du carburant commence à remplir la poire de purge. Il n'est pas nécessaire de remplir entièrement la poire de purge d'air.
3. Régler le régime de l'accélérateur sur 1/3. Se reporter à la section *Pour actionner la commande d'accélération/l'interrupteur d'arrêt à la page 45*.
4. Placer le produit sur une surface plane au sol.
5. Saisir le produit de la main gauche.



MISE EN GARDE : Ne pas utiliser les pieds pour tenir le produit.

6. Tirer lentement la poignée du câble du lanceur jusqu'à rencontrer une résistance.
7. Tirer vivement sur la corde du lanceur jusqu'à ce que le moteur démarre. Tirer la poignée de la corde du lanceur à plusieurs reprises jusqu'à ce que le moteur démarre.

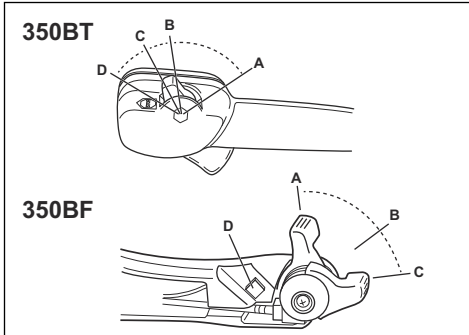
Remarque : Ne pas tirer complètement le câble du lanceur et ne pas lâcher la poignée du câble du lanceur.

8. Si le moteur est froid, pousser progressivement la commande vers la position ouverte jusqu'à fond de levier de starter.
9. Si le moteur est froid, laisser tourner le moteur pour le réchauffer pendant 2 à 3 minutes avant toute utilisation.



AVERTISSEMENT : De l'air est libéré au démarrage du moteur et lorsque le produit est réglé au ralenti. Ne pas laisser des personnes se trouver à proximité du produit ou du tube du souffleur.

Pour actionner la commande d'accélération/l'interrupteur d'arrêt



- Faire tourner le moteur à plein régime (A).
- Appliquer 1/3 de régime (B).
- Appliquer le ralenti (C).
- Arrêter le produit (D).

Utilisation du produit

- Ce souffleur se porte sur le dos, à l'aide d'un harnais d'épaule. Il est actionné et commandé avec la main droite au moyen d'une poignée située sur le tube.



- Utiliser le produit aux heures de travail habituelles. Respecter les règlements locaux.
- Réduire le nombre de pièces d'équipement et sélectionner la vitesse adaptée à votre tâche. Utiliser l'accélérateur à la position la plus basse possible pour éviter plus de bruit et de poussière que nécessaire.
- Maintenir la buse de soufflante près du sol.

Remarque : Husqvarna recommande d'utiliser l'extension de buse de soufflante complète.

- Noter la direction du vent et faire fonctionner le produit dans la direction du vent.

- Utiliser les outils de jardin appropriés pour dégager les matériaux du sol.
- Dans les zones où de la poussière est présente, utiliser un pulvérisateur pour mouiller la zone. Cela permet de réduire le temps de fonctionnement.
- Après utilisation, garder le produit en position verticale lors de l'entreposage.

Arrêt de la machine

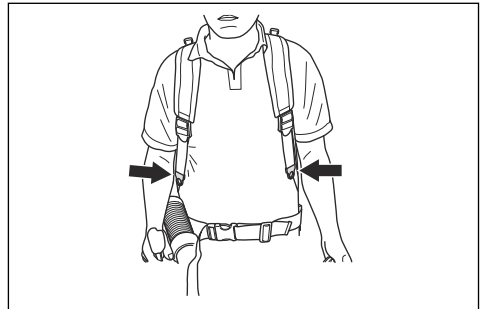


MISE EN GARDE : Ne pas arrêter le produit à pleine vitesse. Se reporter à la section *Pour actionner la commande d'accélération/l'interrupteur d'arrêt* à la page 45.

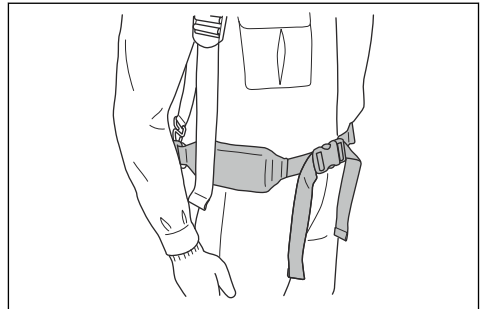
1. Pour 350BT : Mettre l'interrupteur de marche/arrêt avec commande d'accélération à la position d'arrêt.
2. Pour 350BF : Appuyer sur l'interrupteur d'arrêt.

Pour régler le harnais

1. Enfiler correctement le harnais du produit.
2. Serrer les bretelles jusqu'à ce que le produit soit bien ajusté au corps.



3. Placer la ceinture autour de la taille.
4. Serrer la sangle de la ceinture. S'assurer que le poids du souffleur repose sur les hanches.



Entretien

Introduction



AVERTISSEMENT : Lire et comprendre le chapitre sur la sécurité avant de faire l'entretien du produit.

Calendrier d'entretien

Entretien	Quotidien	Hebdomadaire	Mensuel
Nettoyer les surfaces externes.	X		
S'assurer que la poignée de commande fonctionne correctement.	X		
S'assurer que l'interrupteur de marche/arrêt fonctionne correctement. Se reporter à la section <i>Pour vérifier l'interrupteur de marche/arrêt à la page 41.</i>	X		
Examiner le moteur, le réservoir de carburant et les conduites de carburant pour détecter d'éventuelles fuites. Vérifier le filtre à carburant à la recherche de contamination. Remplacer le filtre à carburant au besoin.	X		
Nettoyer le filtre à air. Remplacer le filtre à air au besoin.	X		
Serrer les écrous et les vis.	X		
Examiner l'admission d'air et vérifier qu'elle n'est pas obstruée.	X		
Examiner le lanceur et la corde du lanceur pour détecter d'éventuels dommages.		X	
Examiner les éléments antivibrations pour s'assurer qu'ils ne présentent pas de dommages, de fissures ou de déformations. Vérifier que les éléments antivibrations sont correctement installés.		X	
Vérifier la bougie d'allumage. Se reporter à la section <i>Pour vérifier la bougie d'allumage à la page 47.</i>		X	
Nettoyer le système de refroidissement.		X	
Nettoyer la surface externe du carburateur et ses zones adjacentes.		X	
Nettoyer le réservoir de carburant.			X
Vérifier tous les câbles et toutes les connexions.			X
Examiner et nettoyer l'écran pare-étincelles sur le silencieux (pour les produits sans pot catalytique).		X	
Examiner et nettoyer l'écran pare-étincelles sur le silencieux (pour les produits avec pot catalytique).			X
Vérifier la bougie d'allumage. Les remplacer au besoin.			X

Réglage du régime de ralenti

1. S'assurer que le filtre à air est propre et que le couvercle de filtre à air est fixé.

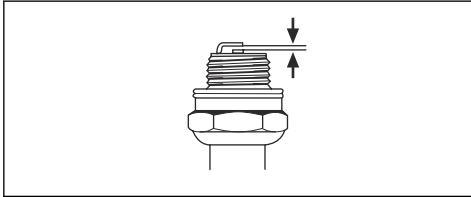
2. Régler le régime de ralenti à l'aide de la vis de réglage de ralenti. Pour connaître l'emplacement de la vis de réglage de ralenti sur votre produit, se reporter à *Présentation de la machine à la page 37.*

Pour vérifier la bougie d'allumage



MISE EN GARDE : Utiliser la bougie recommandée. Se reporter à la section *Données techniques à la page 50*. Une bougie inadéquate peut endommager l'outil.

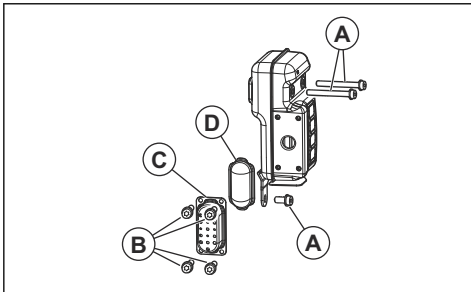
1. Couper le moteur et le laisser refroidir.
2. Nettoyer la bougie si elle est sale.
3. Vérifier que l'écartement des électrodes est correct. Se reporter à la section *Données techniques à la page 50*.



4. Remplacer la bougie d'allumage une fois par mois ou plus fréquemment, au besoin.

Pour entretenir le silencieux

1. Couper le moteur et laisser le silencieux refroidir. Portez toujours des gants de protection.
2. Retirer les vis (A), les vis (B) et le conduit d'échappement (C).



3. Retirer l'écran pare-étincelles (D) et le nettoyer avec une brosse métallique. Si l'écran pare-étincelles est endommagé, le remplacer.
4. Enlever la saleté du silencieux et de l'orifice d'échappement du cylindre avec la brosse métallique.
5. Fixer l'écran pare-étincelles (D) et le conduit d'évacuation (C) avec les vis (B). Serrer les vis au couple de 2 à 3 Nm.
6. Serrer les vis (A) au couple de 8 à 12 Nm. S'assurer que le silencieux est bien fixé sur le produit.

Examiner et nettoyer le système de refroidissement

Le système de refroidissement comprend les ailettes de refroidissement du cylindre et la grille d'entrée d'air.

1. Couper le moteur.
2. S'assurer que le système de refroidissement n'est pas sale ou obstrué. Si nécessaire, nettoyer la grille d'entrée d'air et les ailettes de refroidissement.



MISE EN GARDE : Un système de refroidissement encrassé ou bloqué peut augmenter la température du moteur, ce qui peut endommager le produit. Une grille d'entrée d'air obstruée diminue la force de soufflage.

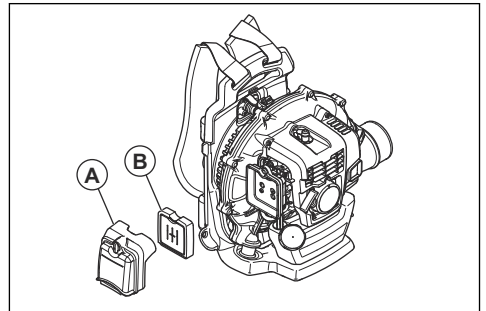
3. Examiner le système de refroidissement pour détecter d'éventuels dommages. S'assurer que les pièces sont correctement fixées au produit.

Nettoyer du filtre à air



MISE EN GARDE : Ne pas utiliser le produit sans filtre à air ni avec un filtre à air endommagé. La poussière dans l'air peut endommager le moteur.

1. Pousser le starter en position fermée.
2. Retirer le couvercle du filtre à air (A).
3. Retirer le filtre à air (B) du carter de filtre.



4. Nettoyer le filtre à air à l'eau savonneuse chaude.

Remarque : Un filtre à air utilisé pendant une longue période ne peut pas être complètement nettoyé. Remplacer régulièrement le filtre à air et toujours remplacer un filtre à air défectueux.

5. Nettoyer la surface intérieure du couvercle du filtre à air (A) à l'aide d'une brosse.
6. Appliquer de l'huile sur le filtre à air. Se reporter à la section *Application de l'huile sur le filtre à air en mousse à la page 48*.
7. Placer le filtre à air dans le carter de filtre.

8. Fixer le couvercle du filtre à air au produit.

Application de l'huile sur le filtre à air en mousse

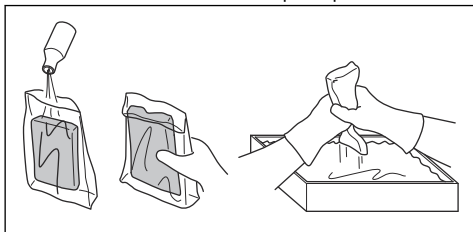


MISE EN GARDE : Toujours utiliser de l'huile Husqvarna pour filtre à air spécial. Ne pas utiliser d'autres types d'huile.



AVERTISSEMENT : Enfiler des gants de protection. L'huile pour filtre à air peut irriter la peau.

1. Placer le filtre à air en mousse dans un sac en plastique.
2. Placer l'huile dans le sac en plastique.
3. Frotter le sac en plastique pour vérifier que l'huile alimente également l'ensemble du filtre à air en mousse.
4. Pousser l'huile indésirable vers l'extérieur du filtre à air en mousse dans le sac en plastique.

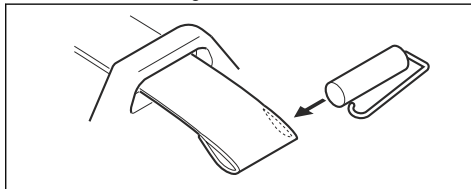


Remplacement du harnais



AVERTISSEMENT : Un harnais endommagé peut engendrer une chute du produit et celui-ci causer des blessures. S'assurer d'installer correctement le collier.

1. Couper le moteur.
2. Retirer la boucle de la sangle.
3. Pousser l'extrémité de la sangle à travers l'œillet.
4. Tirer la nouvelle courroie à travers l'œillet.
5. Placer la goupille dans la sangle pour fixer le collier sur la nouvelle sangle.



Dépannage

Il est impossible de démarrer le moteur		
Vérification	Cause possible	Solution
Touche Stop.	Position Stop	Régler l'interrupteur d'arrêt à la position de démarrage.
Cliquets de lanceur à rappel.	Cliquets de lanceur à rappel bloqués ou usés.	Régler ou remplacer les cliquets de lanceur à rappel.
		Nettoyer alentour des cliquets.
		Communiquer avec un fournisseur de services d'entretien agréé.
Réservoir de carburant.	Type de carburant inapproprié.	Vidanger le réservoir de carburant et utiliser le carburant correct.
Carburateur.	Réglage du régime de ralenti.	Régler le régime de ralenti à l'aide de la vis de réglage de ralenti.

Il est impossible de démarrer le moteur		
Vérification	Cause possible	Solution
Allumage (aucun allumage).	Bougie d'allumage sale ou humide.	S'assurer que la bougie est propre et sèche.
	L'écartement des électrodes sur la bougie d'allumage est incorrect.	Nettoyer la bougie d'allumage. Vérifier que l'écartement des électrodes est correct. S'assurer que la bougie est installée avec un supprimeur.
		Consulter les caractéristiques techniques pour connaître l'écartement correct des électrodes.
Bougie d'allumage.	Bougie desserrée.	Serrer la bougie d'allumage.
	Il y a des débris sur les électrodes de la bougie d'allumage.	Vérifier que le mélange de carburant est correct.
		Vérifier que le filtre à air est propre.

Le moteur démarre, mais s'arrête à nouveau		
Vérifier	Cause possible	Solution
Réservoir de carburant.	Type de carburant inapproprié.	Vidanger et utiliser le carburant approprié.
Carburateur.	Le moteur ne fonctionne pas correctement au régime de ralenti.	Communiquer avec votre centre de services.
Filtre à air.	Filtre à air bouché.	Nettoyer le filtre à air.

Transport et entreposage

Transport et entreposage



AVERTISSEMENT : Pour éviter tout risque d'incendie, s'assurer qu'il n'y a pas de fuites ou de fumées pendant le transport ou l'entreposage. S'assurer qu'il n'y a pas de risque de production d'étincelles ou d'incendie.

- Vider le réservoir de carburant avant tout transport ou remisage pendant une période prolongée. Appuyez sur la poire d'amorçage d'air pour s'assurer que tout le carburant est retiré. Mettre au rebut le carburant à un emplacement adéquat.
- Avant d'entreposer le produit à long terme, s'assurer qu'il est bien nettoyé et en effectuer l'entretien complet.
- Retirer la bougie d'allumage et verser environ 15 ml d'huile deux-temps dans le cylindre. Faire tourner 3 fois le moteur à vide et remettre la bougie en place.
- Fixer le produit au véhicule de façon sécuritaire pendant le transport.
- Garder le produit dans un endroit sec et frais et propre avec une bonne circulation d'air. Garder la machine à l'écart des enfants.

Données techniques

Données techniques

	Husqvarna 350BT	Husqvarna 350BF
Moteur		
Cylindrée, po ³ / cm ³	3,06 / 50,2	3,06 / 50,2
Régime de ralenti, tr/min	2200	2200
Pot catalytique	Non	Non
Système d'allumage³		
Bougie d'allumage	NGK CMR7H / TORCH AC7R	NGK CMR7H / TORCH AC7R
Écartement des électrodes, po / mm	0,023-0,027 / 0,6-0,7	0,023-0,027 / 0,6-0,7
Circuits d'alimentation et de lubrification		
Capacité du réservoir de carburant, pte US / l	2,64 / 1,25	2,64 / 1,25
Poids		
Poids sans carburant, lb / kg	22,5 / 10,2	22,9 / 10,4
Rendement du ventilateur		
Vitesse maximale de l'air avec buse de soufflante, m/h / m/s	180 / 80	180 / 80
Débit d'air avec buse de soufflante, pi ³ /min / m ³ /min	494 / 14	494 / 14

³ Le système d'allumage par étincelles est conforme à la norme ICES-002 du Canada.

Garantie

DÉCLARATION DE GARANTIE DU SYSTÈME DE CONTRÔLE DES ÉMISSIONS D'ÉCHAPPEMENT ET D'ÉVAPORATION CONFORME AUX EXIGENCES LÉGALES DES ÉTATS-UNIS, DE LA CALIFORNIE ET DU CANADA

VOS DROITS ET OBLIGATIONS EN VERTU DE LA GARANTIE

Le California Air Resources Board (CARB), l'U.S. Environmental Protection Agency (EPA), Environnement et Changement climatique Canada et Husqvarna Professional Products, Inc. vous présentent la garantie du système de contrôle des émissions d'échappement et d'évaporation (les « émissions ») qui protège votre petit moteur hors route 2021-2022*. En Californie, l'équipement neuf équipé d'un petit moteur hors-route doit être conçu, fabriqué et équipé de manière à répondre aux strictes normes antipollution de l'État. Husqvarna Professional Products, Inc. doit garantir les systèmes de contrôle des émissions de votre petit moteur hors route pendant les périodes figurant sur la liste ci-dessous à condition que votre petit moteur hors route ou tout autre équipement ne présente aucun signe d'abus, de négligence ou d'entretien inapproprié menant à la défaillance du système de contrôle des émissions. Votre système de contrôle des émissions peut comprendre différentes pièces comme un carburateur, un système d'injection de carburant, un système d'allumage, un pot catalytique, des réservoirs de carburant, des conduites de carburant (pour le carburant liquide et les vapeurs de carburant), des bouchons de réservoir de carburant, des soupapes, des réservoirs à charbon actif, des filtres, des colliers et d'autres composants associés. Il peut aussi comprendre des flexibles, de courroies, des raccords et d'autres pièces liées aux émissions. En cas de problème couvert par la garantie, Husqvarna Professional Products, Inc. répare votre petit moteur hors route sans frais, diagnostic, pièces et main-d'œuvre compris.

COUVERTURE DE LA GARANTIE DU FABRICANT

Le système de contrôle des émissions d'échappement et d'évaporation pour petit moteur hors route est garanti deux ans. Si une pièce de votre petit moteur hors route liée aux émissions est défectueuse, elle doit alors être réparée ou remplacée par Husqvarna Professional Products, Inc..

RESPONSABILITÉS DU PROPRIÉTAIRE EN VERTU DE LA GARANTIE

- À titre de propriétaire d'un petit moteur hors route, vous êtes tenu d'effectuer l'entretien obligatoire indiqué dans le manuel de l'utilisateur. Husqvarna

Professional Products, Inc. vous recommande de conserver tous les reçus relatifs à l'entretien de votre petit moteur hors route, mais Husqvarna Professional Products, Inc. ne peut pas refuser l'application de la garantie pour la seule raison de l'absence de reçus ou du non-respect du calendrier de maintenance.

- En tant que propriétaire d'un petit moteur hors route, vous devez savoir que Husqvarna Professional Products, Inc. peut vous refuser la couverture de la garantie si votre petit moteur hors route ou une pièce est défaillant en raison d'un abus, de négligence, d'un entretien inapproprié ou de modifications non approuvées.
- Vous devez présenter votre petit moteur hors route à un centre de réparation Husqvarna Professional Products, Inc. agréé dès que le problème se manifeste. Les réparations couvertes par la garantie seront effectuées dans un délai raisonnable qui n'excédera pas 30 jours. Pour toute question relative à vos droits et responsabilités relativement à votre garantie, communiquer avec Husqvarna Professional Products, Inc. au CANADA au 1-800-805-5523 ou aux ÉTATS-UNIS au 1-800-487-5951, ou alors envoyer un courriel à l'adresse emissions@hqvgroup.com ou warranty@hpp-emissions.com.

DATE D'ENTRÉE EN VIGUEUR DE LA GARANTIE

La période de garantie commence à la date à laquelle le moteur ou le matériel est livré à l'acheteur final.

DURÉE DE LA COUVERTURE

Husqvarna Professional Products, Inc. garantit au dernier acheteur et à chacun des propriétaires suivants que le petit moteur ou l'équipement hors route a été conçu, construit et équipé dans le respect de toutes les réglementations applicables édictées par l'EPA et le CARB et est exempt de tout défaut matériel ou de fabrication pouvant provoquer la panne d'une pièce garantie pendant une période de deux ans.

ÉLÉMENTS COUVERTS

RÉPARATION OU REMPLACEMENT DES PIÈCES :

La réparation ou le remplacement de toute pièce garantie qui est défectueuse sera effectué sans frais dans un centre de services agréé par la marque. À l'exclusion des réparations et des remplacements couverts par la présente garantie, il est possible de choisir un atelier de réparation ou toute autre personne pour entretenir, remplacer ou réparer les dispositifs et systèmes de contrôle des émissions. Cependant, Husqvarna Professional Products, Inc. recommande que toutes les opérations d'entretien, de remplacement et de réparation des dispositifs et systèmes de contrôle des émissions soient effectuées dans un centre de services agréé par la marque.

IMPORTANT : Le présent produit est conforme à la réglementation de la Phase 3 de l'Environmental Protection Agency (EPA) des États-Unis en ce qui concerne les émissions d'échappement et d'évaporation. Afin de garantir le respect des règlements de l'EPA Phase 3 des États-Unis, du California Air Resources Board et d'Environnement et Changement climatique Canada, nous recommandons d'utiliser uniquement des pièces de rechange de la marque du produit d'origine. L'utilisation de pièces de rechange non conformes est une infraction à la législation fédérale et à celle de certains États.

PÉRIODE DE GARANTIE : Toute pièce garantie dont le remplacement n'est pas prévu dans le cadre du programme d'entretien obligatoire ou dont la seule mesure prévue est l'inspection régulière avec « réparation ou remplacement au besoin » est garantie pendant deux ans (ou pendant la durée stipulée dans la garantie du produit, selon la période la plus longue) à compter de sa date d'achat par l'acheteur initial. Toute pièce garantie dont le remplacement est prévu par le calendrier d'entretien obligatoire est garantie pendant la période écoulée jusqu'au premier remplacement prévu de la pièce. Toute pièce réparée ou remplacée en vertu de la garantie est couverte pendant la période de garantie restante.

DIAGNOSTIC : Vous n'avez pas à payer pour le diagnostic permettant de conclure que la pièce garantie est défectueuse, à condition qu'un tel diagnostic soit effectué dans un atelier d'entretien agréé.

AUTRES DOMMAGES : Husqvarna Professional Products, Inc. réparera les autres composants du moteur endommagés par suite de la défaillance d'une pièce sous garantie.

LISTE DES PIÈCES COUVERTES PAR LA GARANTIE DE CONTRÔLE DES ÉMISSIONS

1. Pièces du carburateur et du système d'admission ou système d'injection.
2. Filtre à air et filtre à carburant couverts dans la limite du calendrier d'entretien.
3. Bougies d'allumage couvertes dans la limite du calendrier d'entretien.
4. Module d'allumage.
5. Silencieux avec catalyseur et collecteurs d'échappement.
6. Réservoir de carburant, conduites de carburant (pour le carburant et les vapeurs de carburant), bouchon de réservoir, réservoir à charbon actif, clapet antiretour en cas de retournement et clapets antibalottement si applicable.
7. Commandes électroniques, soupapes et interrupteurs sensibles au vide, à la température et au temps.
8. Flexibles, raccords et ensembles.
9. Tous les autres composants, dont la défaillance augmenterait les émissions d'échappement et d'évaporation d'un polluant quelconque par le moteur, comme énoncé ci-dessous :

- Pour la Californie, voir le California Code of Regulations, 13 CCR §2405(d) et 2760(d).
- Pour les États-Unis et le Canada, se reporter au US Federal Code of Regulations, 40 C.F.R 1068 Appendix I (iii).

ÉLÉMENTS NON COUVERTS

Toutes les pannes dues à un abus, à de la négligence, à des modifications non approuvées, à une utilisation ou à un entretien inadéquat ne sont pas couvertes.

PIÈCES COMPLÉMENTAIRES OU MODIFIÉES

Aucune pièce complémentaire ou modifiée non affranchie par la CARB ou l'EPA ne peut être utilisée. L'utilisation de pièces complémentaires ou modifiées non exemptées est un motif suffisant pour rejeter une demande d'indemnisation. Husqvarna Professional Products, Inc. n'a pas la responsabilité de garantir les pannes de pièces garanties provoquées par l'utilisation d'une pièce complémentaire ou modifiée non affranchie.

COMMENT PRÉSENTER UNE DEMANDE D'INDEMNISATION

Pour toute question relative à vos droits et responsabilités relativement à la garantie, communiquer avec le centre de services agréé le plus proche, appeler Husqvarna Professional Products, Inc. aux ÉTATS-UNIS au 1-800-487-5951, au CANADA au 1-800-805-5523, ou bien envoyer un courriel à l'adresse emissions@husqvarnagroup.com ou warranty@hqp-emissions.com.

OÙ JOINDRE LE SERVICE DE GARANTIE?

Les services de garantie ou de réparation sont assurés par tous les ateliers d'entretien Husqvarna Professional Products, Inc. agréés. Si le centre de réparation agréé le plus près se trouve à plus de 160 kilomètres de votre emplacement, Husqvarna Professional Products, Inc. arrangerait et paierait la livraison aller-retour vers un centre de réparation agréé par la marque ou arrangerait autrement la prestation du service au titre de la garantie, en conformité avec les règlements applicables.

ENTRETIEN, REMPLACEMENT ET RÉPARATION DES PIÈCES RELATIVES AUX ÉMISSIONS

Toute pièce de remplacement peut être utilisée pour procéder à un entretien ou à une réparation sous garantie et elle sera fournie sans frais pour le propriétaire. Un tel remplacement n'a pas pour effet de réduire les obligations du fabricant relativement à la garantie.

ATTESTATION D'ENTRETIEN

Le propriétaire est tenu de respecter l'entretien obligatoire prévu dans le manuel de l'utilisateur.

* L'année modèle courante et subséquente sera mise à jour annuellement dans la déclaration de garantie fournie au consommateur. Par exemple, 2012-2013 sera spécifié pour l'année modèle 2012.

** Pièces liées aux émissions par évaporation.



www.husqvarna.com

Original instructions
Instrucciones originales
Instructions d'origine

1142311-49



2021-10-21