



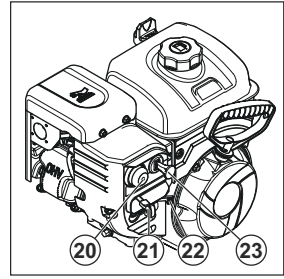
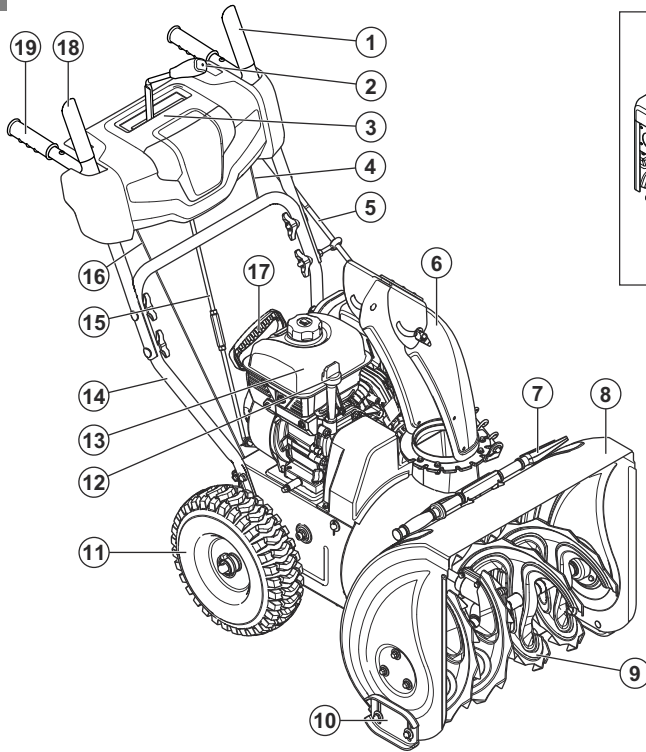
# Husqvarna®



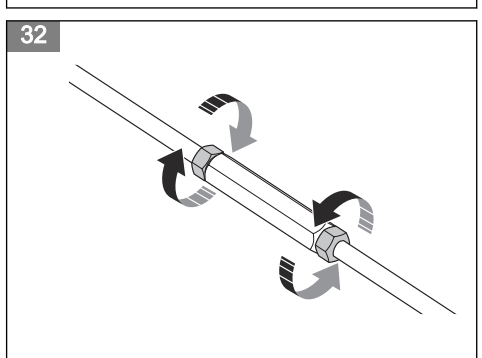
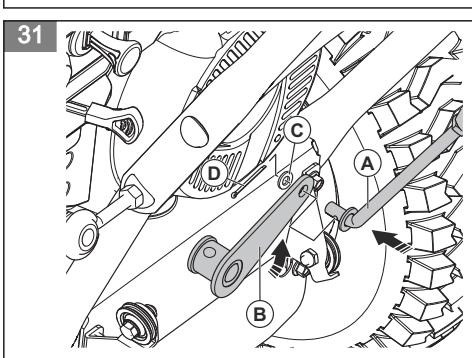
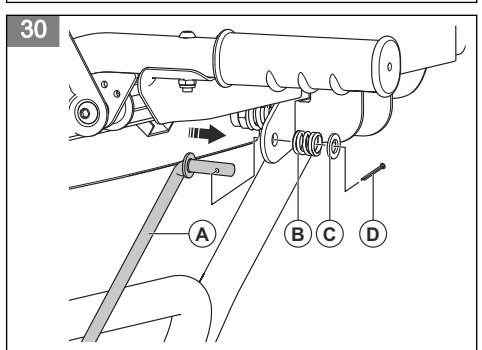
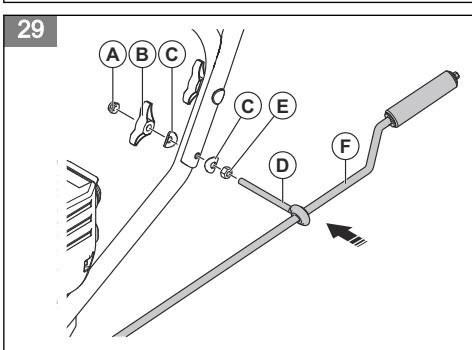
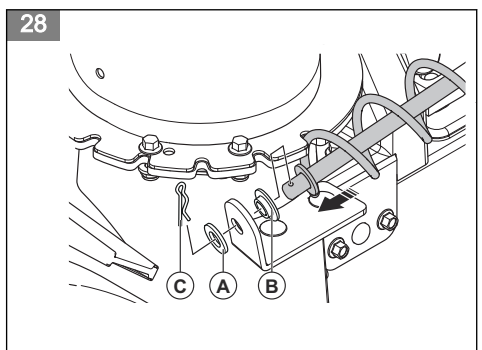
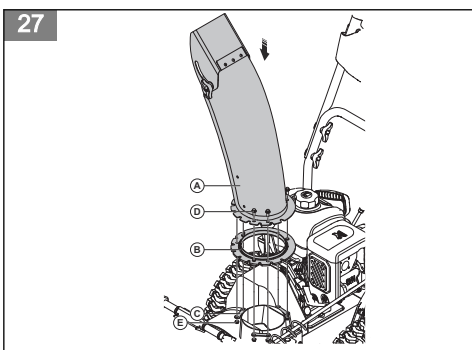
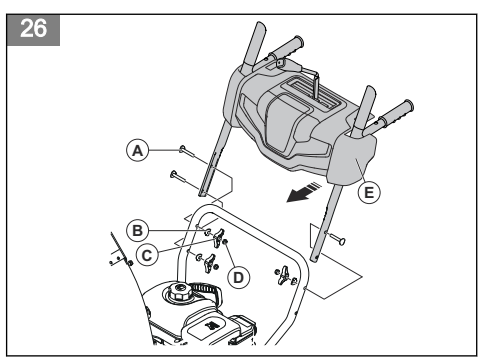
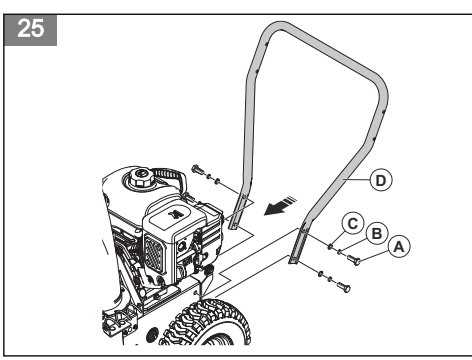
## ST 124

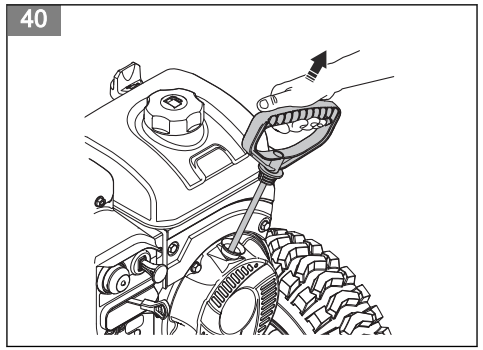
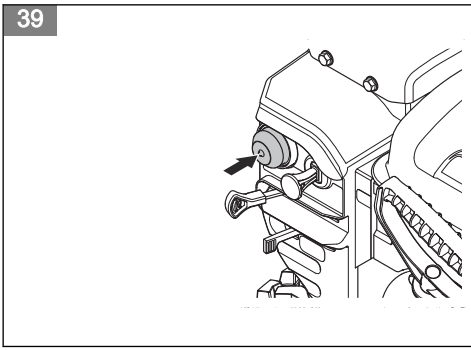
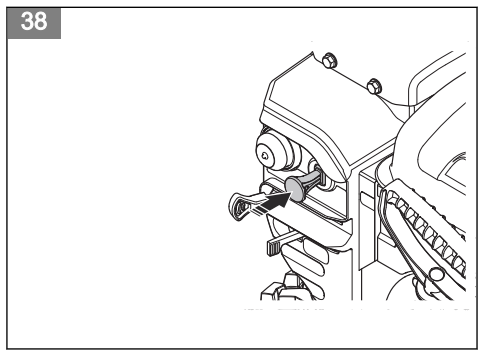
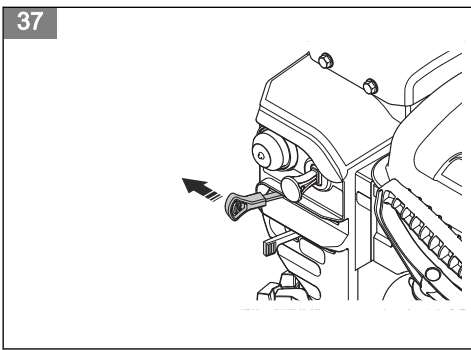
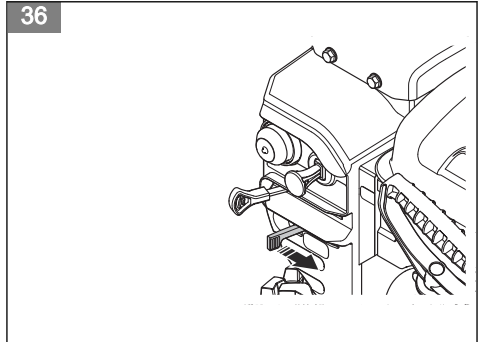
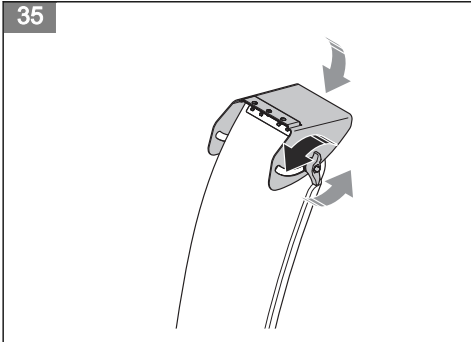
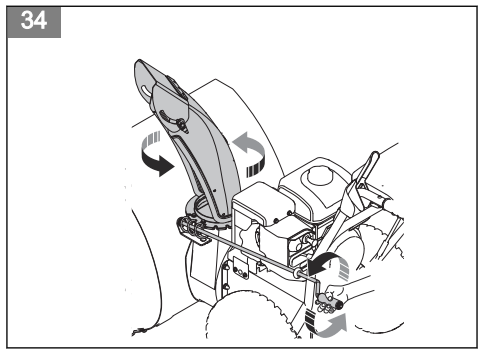
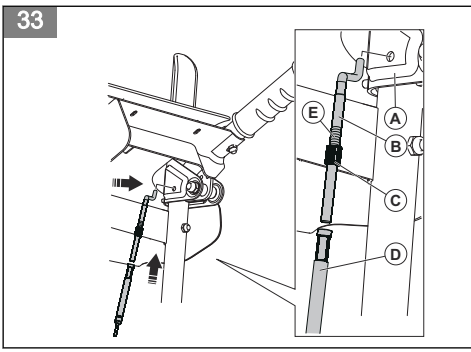


EN	Operator's manual	7-21
BS	Korisnički priručnik	22-37
BG	Ръководство за експлоатация	38-55
HR	Priručnik za korištenje	56-70
CS	Návod k použití	71-86
DA	Brugsanvisning	87-101
NL	Gebruiksaanwijzing	102-118
ET	Kasutusjuhend	119-133
FI	Käyttöohje	134-148
FR	Manuel d'utilisation	149-166
DE	Bedienungsanweisung	167-184
EL	Οδηγίες χρήσης	185-202
HU	Használati utasítás	203-219
IT	Manuale dell'operatore	220-236
LV	Lietošanas pamācība	237-253
LT	Operatoriaus vadovas	254-269
NO	Bruksanvisning	270-284
PL	Instrukcja obsługi	285-301
PT	Manual do utilizador	302-318
RO	Instrucțiuni de utilizare	319-335
RU	Руководство по эксплуатации	336-353
SR	Priručnik za rukovaoca	354-368
SK	Návod na obsluhu	369-385
SL	Navodila za uporabo	386-402
ES	Manual de usuario	403-419
SV	Bruksanvisning	420-434
TR	Kullanım kılavuzu	435-449
UK	Посібник користувача	450-467

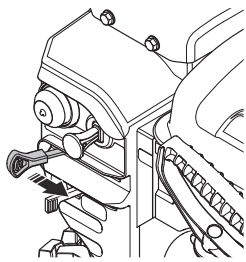


2		3		4		5		6		7	
8		9		10		11		12		13	
14		15		16		17		18		19	
20		21		22		23		24			

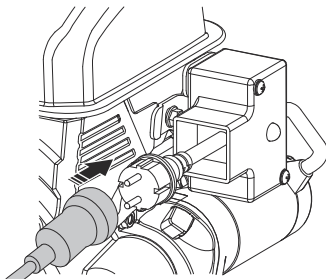




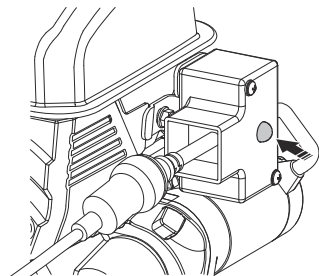
41



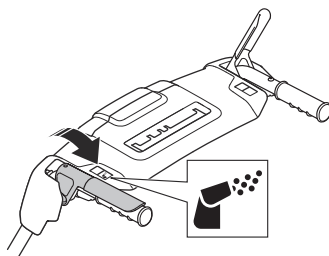
42



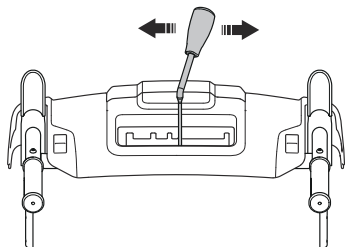
43



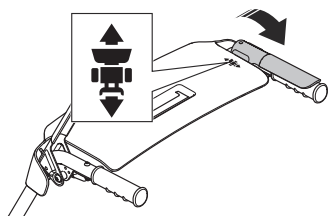
44



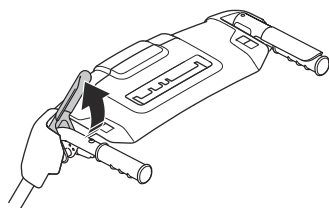
45



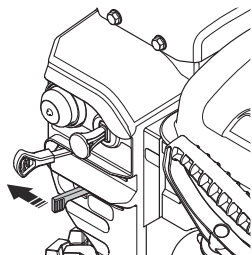
46



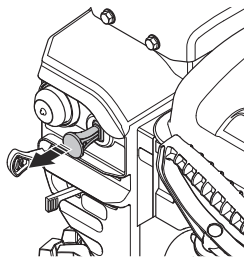
47



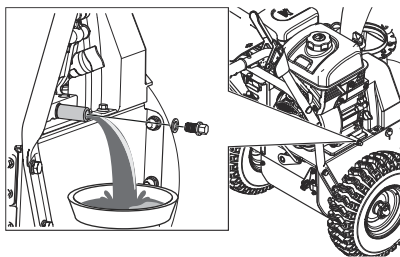
48



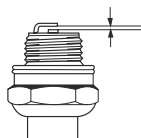
49



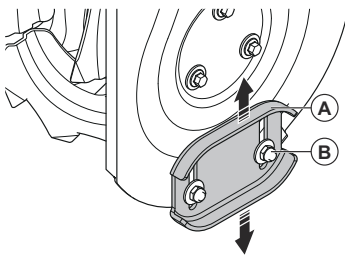
50



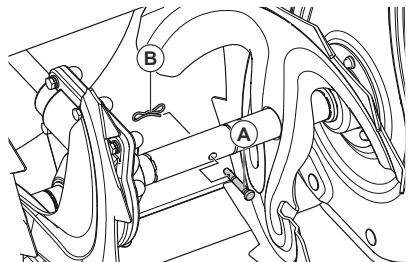
51



52



53



---

# Contents

---

Introduction.....	7	Troubleshooting.....	17
Safety.....	8	Transportation, storage and disposal.....	19
Assembly.....	12	Technical data.....	19
Operation.....	13	EC Declaration of Conformity.....	21
Maintenance.....	15		

---

## Introduction

---

### Product overview

(Fig. 1)

1. Auger engagement
2. Drive speed control lever
3. Control panel
4. Auger cable
5. Chute rotator control
6. Chute deflector
7. Clean-out tool
8. Auger housing
9. Augers
10. Skid plate
11. Tire
12. Oil fill
13. Engine
14. Lower handle
15. Drive speed control rod
16. Drive cable
17. Recoil start handle
18. Drive engagement
19. Handle grips
20. Primer
21. Choke
22. Fuel switch
23. On/off key
24. Operator's manual

### Product description

The product is a snow thrower that is used to remove snow from the ground.

### Intended use

This product can be used to remove snow from fields, roads, walkways and driveways. Do not use it on slopes that are greater than 15°. Do not use the product in areas where there is much debris, dirt and protruding stones.

### Symbols on the product

---

**Note:** If the decals on the product are damaged, contact the distributor to replace them.

---

- (Fig. 2) Warning.
- (Fig. 3) Read the operator's manual.
- (Fig. 4)
- (Fig. 5) Hot surface.
- (Fig. 6) Risk of fire.
- (Fig. 7) Choke.
- (Fig. 8) Pull starter rope handle.
- (Fig. 9) Do not breathe in the exhaust fumes from the engine.
- (Fig. 10) Do not put any part of the body into the chute deflector or the auger housing when the augers rotate.
- (Fig. 11) Stop the engine before you remove snow from the chute deflector. Use the clean-out tool to remove snow, do not do it by hand.
- (Fig. 12)
- (Fig. 11) Keep hands away from the chute deflector.
- (Fig. 13) Objects can be ejected from the product.
- (Fig. 14) Keep bystanders away from the product when operating.
- (Fig. 15) Remove key before maintenance.
- (Fig. 16) Push in the on/off key to the RUN position.
- (Fig. 17) Turn the fuel switch to the ON position.
- (Fig. 18) Push the primer.
- (Fig. 19) Risk of falling.

- (Fig. 20) Move slowly rearward.
- (Fig. 21) Use approved protective gloves.
- (Fig. 22) Use a protective helmet. Use approved hearing protection. Use approved eye protection.
- (Fig. 23) Noise emissions to the environment according to European Directive 2000/14/EC and New South Wales legislation "Protection of the Environment Operations (Noise Control) Regulation 2017". Noise emission data can be found on the machine label and in the Technical data chapter.
- (Fig. 24) European machinery directive for safety.

**Note:** Other symbols/decals on the product refer to certification requirements for some markets.

## Euro V Emissions



**WARNING:** Tampering with the engine voids the EU type-approval of this product.

## Safety

### Safety definitions

The definitions below give the level of severity for each signal word.



**WARNING:** Injury to persons.



**CAUTION:** Damage to the product.

**Note:** This information makes the product easier to use.

### Safe operation practices for pedestrian-controlled snow throwers

#### General

This machine is capable of amputating hands and feet and throwing objects. Failure to observe the following safety instructions could result in serious injury.

#### Training

- Read, understand and follow all instructions on the machine and in the manual(s) before operating this unit. Be thoroughly familiar with the controls and the proper use of the machine. Know how to stop the unit and disengage the controls quickly.

### Manufacturer

Husqvarna AB

Drottninggatan 2, SE-561 82 Huskvarna

### Product liability

As referred to in the product liability laws, we are not liable for damages that our product causes if:

- the product is incorrectly repaired.
- the product is repaired with parts that are not from the manufacturer or not approved by the manufacturer.
- the product has an accessory that is not from the manufacturer or not approved by the manufacturer.
- the product is not repaired at an approved service center or by an approved authority.

- Never allow children to operate the machine. Never allow adults to operate the machine without proper instruction.
- Keep the area of operation clear of all persons, particularly small children.
- Exercise caution to avoid slipping or falling, especially when operating the machine in reverse.

#### Preparation

- Thoroughly inspect the area where the machine is to be used and remove all doormats, sleds, boards, wires and other foreign objects.
- Disengage all clutches and shift into neutral before starting the engine (motor).
- Do not operate the machine without wearing adequate winter garments. Avoid loose fitting clothing that can get caught in moving parts. Wear footwear that will improve footing on slippery surfaces.
- Always wear safety glasses or eye shields during operation or while performing an adjustment or repair to protect eyes from foreign objects that may be thrown from the machine.
- Handle fuel with care; it is highly flammable.
  - Use an approved fuel container.
  - Never add fuel to a running engine or hot engine.
  - Fill fuel tank outdoors with extreme care. Never fill fuel tank indoors.
  - Never fill containers inside a vehicle or on a truck or trailer bed with a plastic liner. Always place



containers on the ground, away from your vehicle, before filling.

- When practical, remove gas-powered equipment from the truck or trailer and refuel it on the ground. If this is not possible, then refuel such equipment on a trailer with a portable container, rather than from a gasoline dispenser nozzle.
- Keep the nozzle in contact with the rim of the fuel tank or container opening at all times, until refueling is complete. Do not use a nozzle lock-open device.
- Replace gasoline cap securely and wipe up spilled fuel.
- If fuel is spilled on clothing, change clothing immediately.
- Use extension cords and receptacles as specified by the manufacturer for all units with electric starting motors.
- Adjust the collector housing height to clear gravel or crushed rock surface.
- Never attempt to make any adjustments while the engine (motor) is running (except when specifically recommended by manufacturer).

### Operation

- Do not put hands or feet near or under rotating parts. Keep clear of the discharge opening at all times.
- Exercise extreme caution when operating on or crossing gravel drives or walks. Stay alert for hidden hazards or operating near public roads.
- After striking a foreign object, stop the engine (motor), remove the wire from the spark plug, disconnect the cord on electric motors, thoroughly inspect the snow thrower for any damage, and repair the damage before restarting and operating the snow thrower.
- If the machine should start to vibrate abnormally, stop the engine (motor) and check immediately for the cause. Vibration is generally a warning of trouble.
- Stop the engine (motor) whenever you leave the operating position, before unclogging the collector/impeller housing or discharge chute, and when making any repairs, adjustments or inspections.
- Do not run the engine indoors, except when starting the engine and for transporting the snow thrower in or out of the building. Open the outside doors; exhaust fumes are dangerous.
- Exercise extreme caution when operating on slopes.
- Never operate the machine without proper guards and other safety protective devices in place and working.
- Never direct the discharge toward people or areas where property damage can occur. Keep children and others away.
- Do not overload the machine capacity by attempting to clear snow at too fast a rate.

- Never operate the machine at high transport speeds on slippery surfaces. Look behind and use care when operating in reverse.
- Disengage power to the collector/impeller when the machine is transported or not in use.
- Use only attachments and accessories approved by the manufacturer of the machine (such as wheel weights, counterweights or cabs).
- Never operate the machine without good visibility or light. Always be sure of your footing, and keep a firm hold on the handles. Walk; never run.
- Never touch a hot engine or muffler.

### Clearing a clogged discharge chute

- Hand contact with the rotating impeller inside the discharge chute is the most common cause of injury associated with snow throwers. Never use your hand to clean out the discharge chute.
- To clear the chute:
  1. SHUT THE ENGINE OFF!
  2. Wait 10 s to be sure the impeller blades have stopped rotating.
  3. Always use a clean-out tool, not your hands.

### Maintenance and storage

- Check shear bolts and other bolts at frequent intervals for proper tightness to be sure the equipment is in safe working condition.
- Never store the machine with fuel in the fuel tank inside a building where ignition sources are present such as hot water heaters, space heaters or clothes dryers. Allow the engine to cool before storing in any enclosure.
- Always refer to instruction handbook for important details if the snow thrower is to be stored for an extended period.
- Maintain or replace safety labels, as necessary.
- Run the machine a few minutes after throwing snow to prevent freeze up of the collector/impeller.
- When cleaning, repairing or inspecting the snow thrower, stop the engine and make certain the collector/impeller and all moving parts have stopped. Disconnect the spark plug wire and keep the wire away from the plug to prevent someone from accidentally starting the engine.

### General safety instructions

- Use the product correctly. Injury or death is a possible result of incorrect use. Only use the product for the tasks found in this manual. Do not use the product for other tasks.
- Obey the instructions in this manual. Obey the safety symbols and the safety instructions. If the operator does not obey the instructions and the symbols, injury, damage or death is a possible result.
- Do not discard this manual. Use the instructions to assemble, to operate and to keep your product in good condition. Use the instructions for correct

installation of attachments and accessories. Only use approved attachments and accessories.

- Do not use a damaged product. Obey the maintenance schedule. Only do the maintenance work that you find an instruction about in this manual. An approved service center must do all other maintenance work.
- This manual cannot include all situations that can occur when you use the product. Be careful and use your common sense. Do not operate the product or do maintenance to the product if you are not sure about the situation. Speak to a product expert, your dealer, service agent or approved service center for information.
- Disconnect the spark plug cable before you assemble the product, put the product into storage or do maintenance.
- Do not use the product if it is changed from its initial specification. Do not change a part of the product without approval from the manufacturer. Only use parts that are approved by the manufacturer. Injury or death is a possible result of incorrect maintenance.
- Do not breathe in the fumes from the engine. Long term inhalation of the engine's exhaust fumes is a health risk.
- Do not start the product indoors or near flammable material. The exhaust fumes are hot and can contain a spark which can start a fire. Not sufficient airflow can cause injury or death because of asphyxiation or carbon monoxide.
- When you use this product the engine makes an electromagnetic field. The electromagnetic field can cause damage to medical implants. Speak to your physician and medical implant manufacturer before you operate the product.
- Do not let a child operate the product. Do not let a person, without knowledge of the instructions operate the product.
- Make sure that you always monitor a person, with decreased physical capacity or mental capacity, that uses the product. A responsible adult must be there at all times.
- Lock the product in an area that children and unapproved persons cannot access.
- The product can eject objects and cause injuries. Obey the safety instructions to decrease the risk of injury or death.
- Do not go away from the product when the engine is on.
- The operator of the product is responsible if an accident occurs.
- Before and while you walk rearward, look behind and down for small children, animals or other risks that can cause you to fall.
- Make sure that parts are not damaged before you use the product.
- Make sure that you are at a minimum 15 m (50 ft) away from other persons or animals before you use

the product. Make sure that a person in adjacent area knows that you will use the product.

- Refer to national or local laws. They can prevent or decrease the operation of the product in some conditions.

## Training

- Read, understand and follow all instructions on the machine and in the manual(s) before operating this unit. Be thoroughly familiar with the controls and the proper use of the equipment. Know how to stop the unit and disengage the controls quickly.
- Never allow children to operate the equipment. Never allow adults to operate the equipment without proper instruction.
- Keep the area of operation clear of all persons, particularly small children.
- Exercise caution to avoid slipping or falling, especially when operating the snow thrower in reverse.

## Safety instructions for operation

- Do not put hands or feet near or under rotating parts. Keep clear of the discharge opening at all times.
- Exercise extreme caution when operating on or crossing gravel drives, walks, or roads. Stay alert for hidden hazards or traffic.
- After striking a foreign object, stop the engine (motor), remove the wire from the spark plug, disconnect the cord on electric motors, thoroughly inspect the product for any damage, and repair the damage before restarting and operating the product.
- If the product starts to vibrate abnormally, stop the engine (motor) and check immediately for the cause. Vibration is generally a warning of trouble.
- Stop the engine (motor) whenever you leave the operating position, before unclogging the auger housing or chute deflector, and when making any repairs, adjustments or inspections.
- When cleaning, repairing or inspecting the product, stop the engine and make certain the augers and all moving parts have stopped. Disconnect the spark plug wire and keep the wire away from the plug to prevent someone from accidentally starting the engine.
- Do not run the engine indoors, except when starting the engine and for transporting the product in or out of the building. Open the outside doors; exhaust fumes are dangerous.
- Exercise extreme caution when operating on slopes.
- Never operate the product without proper guards, and other safety protective devices in place and working.
- Never direct the chute deflector toward people or areas where property damage can occur. Keep children and others away.
- Do not overload the product capacity by attempting to clear snow at too fast a rate.

- Never operate the product at high transport speeds on slippery surfaces. Look behind and use care when operating in reverse.
- Disengage power to the augers when the product is transported or not in use.
- Use only attachments and accessories approved by the manufacturer of the product (such as wheel weights, counterweights, or cabs).
- Never operate the product without good visibility or light. Always be sure of your footing, and keep a firm hold on the handles. Walk; never run.
- Never touch a hot engine or muffler.

## Work area safety

- Thoroughly inspect the area where the equipment is to be used and remove all doormats, sleds, boards, wires, and other foreign objects.
- Disengage all clutches and shift into neutral before starting the engine (motor).
- Do not operate the product without wearing adequate winter garments. Avoid loose fitting clothing that can get caught in moving parts. Wear footwear that will improve footing on slippery surfaces.
- Handle fuel with care; it is highly flammable.
  - Use an approved fuel container.
  - Never add fuel to a running engine or hot engine.
  - Fill fuel tank outdoors with extreme care. Never fill fuel tank indoors.
  - Never fill containers inside a vehicle or on a truck or trailer bed with a plastic liner. Always place containers on the ground, away from your vehicle, before filling.
  - When practical, remove gas-powered equipment from the truck or trailer and refuel it on the ground. If this is not possible, then refuel such equipment on a trailer with a portable container, rather than from a gasoline dispenser nozzle.
  - Keep the nozzle in contact with the rim of the fuel tank or container opening at all times, until refueling is complete. Do not use a nozzle lock-open device.
  - Replace gasoline cap securely and wipe up spilled fuel.
  - If fuel is spilled on clothing, change clothing immediately.
- Use extension cords and receptacles as specified by the manufacturer for all units with electric drive motors or electric starting motors.
- Adjust the auger housing height to clear gravel or crushed rock surface.
- Never attempt to make any adjustments while the engine (motor) is running (except when specifically recommended by the manufacturer).
- Always wear safety glasses or eye shields during operation or while performing an adjustment or repair to protect eyes from foreign objects that may be thrown from the machine.

## Personal protective equipment

Always use the correct personal protective equipment when you operate the product. This includes, at minimum, sturdy footwear, eye protection and hearing protection. Personal protective equipment does not erase the risk of injury but may decrease the grade of injury if an accident occurs.

- Always wear safety glasses or eye protection while you operate the product or do maintenance or repairs.
- Always wear appropriate winter garments when you operate the product.
- Always use heavy-duty slip-resistant boots with good ankle support while you operate the product.
- Do not wear loose fitting clothing that can get caught in moving parts.
- Use approved protective gloves, if necessary. For example, when attaching, examining or cleaning the blade.
- Always use approved ear protection while you operate the product. Noise for a long period can cause noise-induced hearing loss.

## Safety devices on the product

- Make sure that you regularly do the maintenance to the product.
  - The life of the product increases.
  - The risk of accidents decreases.

Let an approved dealer or an approved service center regularly examine the product to do adjustments or repairs.

- Do not use a product with damaged protective equipment. If the product is damaged, speak to an approved service center.

## Muffler

The muffler keeps the noise levels to a minimum and sends the exhaust fumes away from the operator.

Do not use the product if the muffler is missing or defective. A defective muffler increases the noise level and the risk of fire.



**WARNING:** The muffler becomes very hot during and after use and when the engine operates at idle speed. Be careful near flammable materials and/or fumes to prevent fire.

---

## Fuel safety



**WARNING:** Read the warning instructions that follow before you use the product.

---

- Do not start the product if there is fuel or engine oil on the product. Remove the unwanted fuel/oil and let the product dry.
- If you spill fuel on your clothing, change clothing immediately.
- Do not get fuel on your body, it can cause injury. If you get fuel on your body, use soap and water to remove the fuel.
- Do not start the product if the engine has a leak. Examine the engine for leaks regularly.
- Be careful with fuel. Fuel is flammable and the fumes are explosive and can cause injuries or death.
- Do not breathe in the fuel fumes, it can cause injury. Make sure that there is a sufficient airflow.
- Do not smoke near the fuel or the engine.
- Do not put warm objects near the fuel or the engine.
- Do not add the fuel when the engine is on.
- Make sure that the engine is cool before you refuel.
- Before you refuel, open the fuel tank cap slowly and release the pressure carefully.
- Do not add fuel to the engine in an indoor area. Not sufficient airflow can cause injury or death because of asphyxiation or carbon monoxide.
- Tighten the fuel tank cap fully. If the fuel tank cap is not tightened, there is a risk of fire.
- Move the product a minimum of 3 m / 10 ft from the position where you filled the tank before a start.
- Do not fill the fuel tank fully. Heat causes the fuel to expand. Keep a space at the top of the fuel tank.

defects and other reproductive harm. For more information go to [www.P65Warnings.ca.gov](http://www.P65Warnings.ca.gov).

---

## Safety instructions for maintenance

---



**WARNING:** Read the warning instructions that follow before you use the product.

---

- The exhaust fumes from the engine contain carbon monoxide, an odorless, poisonous and very dangerous gas. Do not start the engine indoors or in closed spaces.
- Before you do the maintenance on the product, stop the engine and remove the ignition cable from the spark plug.
- Use protective gloves when you do maintenance on the blades. The blades are very sharp and cuts can easily occur.
- Accessories and changes to the product that are not approved by the manufacturer, can cause serious injury or death. Do not change the product. Always use accessories that are approved by the manufacturer.
- If the maintenance is not done correctly and regularly, the risk of injury and damage to the product increases.
- Only do the maintenance as given in this operator's manual. All other servicing must be done by an approved service agent.
- Let an approved service agent do servicing on the product regularly.
- Replace damaged, worn or broken parts.

## Chemical warning



**WARNING:** The engine exhaust from this product contains chemicals known to the State of California to cause cancer, birth

---

## Assembly

---



**WARNING:** Read and understand the safety chapter before you assemble the product.

---

### To install the handles

1. Remove the 4 M8x25 flange bolts (A) from the case.
2. Use the 4 M8x25 flange bolts (A), the 4 spring spacers (B) and the 4 flat spacers (C).
3. Install the lower handle (D) into the 2 holes on each side of the case. (Fig. 25)
4. Use the 3 M8x50 handle lock bolts (A), the 3 spacers (B), the 3 handle knobs (C), and the 3 locking nuts (D).
5. Install the upper handle with the control panel (E) on the lower handle. (Fig. 26)

### To assemble the chute deflector

1. Remove the rotator disk (B) and the 6 hexagon flange bolts (D) from the case.
2. Attach the rotator disk (B) and the chute deflector (A) onto the chute base using 3 limits blocks (C).
3. Use 6 hexagon flange bolts (D) and 6 locking nuts (E) to lock the limits blocks (C). (Fig. 27)

### To assemble the chute rotator

1. Assemble the front end of the chute rotator.
2. Install the plastic bushing (B) to the front end of the chute rotator.
3. Attach the chute rotator with 1 flat spacer (A) and 1 hairpin (C). (Fig. 28)
4. Assemble rear end of the chute rotator.

- Use 1 locking nut M8 (A), 1 plastic locking handle knob (B), 2 curve spacers (C) and 1 screw level (D) to assemble the chute rotator.
- Use 1 hexagon nut M8 (E) to fix the chute rotator (F) into the holes of the handle. (Fig. 29)

## To assemble the drive speed control rod

- Install the long bent end of the drive speed control rod (A) to the control panel, and attach it with 1 connecting rod spring (B), 1 flat spacer (C) and 1 cotter pin (D). (Fig. 30)
- Pull up the shift connecting plate (B) and install the short bent end of the drive speed control rod (A). Attach the drive speed control rod (A) with 1 flat spacer (C) and 1 cotter pin (D). (Fig. 31)
- If necessary, extend the drive speed control rod. Loosen the locking nuts of the turn buckle and spin

the turn buckle. Tighten the turn buckle back to its original location for proper speed control. The original location is marked on the threads. (Fig. 32)

## To assemble the auger and driver cables

- Remove the 2 cable screw bolts (B) from the cables (D).
- Attach the 2 cable screw bolts (B) to the holes on the left and the right handles (A). (Fig. 33)
- Attach the cables (D) to the cable screw bolts (B).
- Connect and lock the left and the right cable thread insert (D) and the cable screw bolt (B) until the top of the brass lock nut (C) is aligned with the mark on the threads (E).
- Lock the cable with the brass lock nut (C).

---

## Operation

---



**WARNING:** Before you operate the product, carefully read and understand the safety chapter and the operation instructions.

### Before you start the product

- Keep persons and animals away from the work area.
- Do daily maintenance. See *Maintenance schedule on page 15*.
- Make sure the ignition lead fits correctly on the spark plug.
- Add oil or gasoline, if necessary. See *To fill the engine with oil on page 13*.

### To fill the engine with oil



**CAUTION:** Do not rotate the dipstick when you check the oil. Do not fill above the mark.

- Remove the oil cap and clean the dipstick. See *Product overview on page 7* for the location of the dipstick.
- Add oil to the top mark on the dipstick. Use the dipstick to do a check of the oil level at regular intervals.
- Put the oil cap back.

### To fill fuel

If available, use low-emission/alkylate gasoline. If low-emission/alkylate gasoline is not available, use good quality unleaded gasoline. Use gasoline with an octane number of 90 RON out of North America (87 (R+M)/2 in North America) or higher, and with a maximum of 10% ethanol (E10).



**CAUTION:** Do not use gasoline with an octane number less than 90 RON out of North America (87 (R+M)/2 in North America). This can cause damage to the product.

- Open the fuel tank cap slowly to release the pressure.
- Fill slowly with a fuel can. If you spill fuel, remove it with a cloth and let remaining fuel dry off.
- Clean the area around the fuel tank cap.
- Tighten the fuel tank cap fully. If the fuel tank cap is not tightened, there is a risk of fire.
- Move the product a minimum of 3 m (10 ft) from the position where you filled the tank, before a start.

### To adjust the chute deflector

The direction in which snow is to be thrown is controlled by the chute rotator control which is installed on the left side handle.

- Rotate the chute rotator control to set the rotating direction of throwing snow.
- Rotate the chute rotator control clockwise to throw snow rightwards.
- Rotate the chute rotator control counter-clockwise to throw snow leftwards. (Fig. 34)
- Move the angle deflector up or down to adjust the throwing distance of the snow. (Fig. 35)

### To start the engine

- Release the drive engagement. Put the drive speed control lever in the first position.
- Turn the fuel switch to the ON position. (Fig. 36)

3. Turn the choke to the CLOSE position. (Fig. 37)
4. Push in the on/off key to the RUN position. (Fig. 38)
5. Push the primer 1-3 times to start the booster pump. Use the booster pump for cold start in low temperatures. (Fig. 39)
6. Pull the recoil start handle. (Fig. 40)



**CAUTION:** Do not release the recoil start handle quickly. Move it back to the start position slowly.

**Note:** If the recoil start handle has frozen, slowly pull out as much rope out of the starter as possible and release the recoil start handle. If the engine does not start, repeat the procedure or use the electrical starter.

7. Run the engine 30-40 seconds at idling speed before you start to throw snow.
8. When the engine is warm, slowly move the choke to the OPEN position. (Fig. 41)

## To start the engine, electric start



**WARNING:** The product has a 230 Volt A.C. electric starter. Do not use the electric starter if your house is not a 230 Volt A.C. correctly grounded system. Serious personal injury or damage to the product could occur. The electric starter has a three-wire power plug, and is designed to use 230 Volt A.C. household current. Ensure that your house is a 230 Volt A.C. correctly grounded system. If you are uncertain, consult a licensed electrician.

**Note:** Use an extension cord that is recommended for outdoor use, that has wire size not less than 16 AWG (1.5 mm<sup>2</sup>) and is not longer than 50 feet (15 m).

1. Release the drive engagement. Put the drive speed control lever in the first position.
2. Turn the fuel switch to the ON position. (Fig. 36)
3. Turn the choke to the CLOSE position. (Fig. 37)
4. Push in the on/off key to the RUN position. (Fig. 38)
5. Push the primer 1-3 times to start the booster pump. Use the booster pump for cold start in low temperatures. (Fig. 39)
6. Connect the product to power. (Fig. 42)
7. Press and hold the start button on the control box for 5 seconds. (Fig. 43)
8. If the engine does not start, wait 5 seconds, then push the start button again.



**CAUTION:** Do not try to start the engine more than 10 times. After 10 times, wait 40 minutes before you try again.

9. Disconnect the power cord from the product when the engine is started.
10. Run the engine 30-40 seconds at idling speed before you start to throw snow.
11. When the engine is warm, slowly move the choke to the OPEN position. (Fig. 41)

## To operate the product

1. Squeeze the auger engagement to the handle to engage the auger and throw snow. (Fig. 44)
2. Move the drive speed control lever to the left to operate the product forward. Move the drive speed control lever to the right to operate the product rearward. (Fig. 45)
3. Operate the drive engagement with the right handle.
4. Squeeze the drive engagement to the handle to engage the drive wheels. The product moves forward or reverse depending on the location of the drive speed control lever. (Fig. 46)

## To stop the product

**Note:** To turn the engine off in an emergency, pull out the on/off key.

1. Release the drive engagement to stop the drive wheels.
2. Release the auger engagement to disengage the auger and stop throwing snow. (Fig. 47)
3. Turn the fuel switch to the OFF position. (Fig. 48)
4. Pull out the on/off key. (Fig. 49)

## To get a good result

- Always run the engine at full throttle or near full throttle.
- Always adapt the speed of the product to the snow situation and adjust the speed with the drive speed control lever. Make sure that the product throws snow evenly.
- It is easier and more efficient to remove snow immediately after it falls.
- Always throw snow downwind whenever possible.
- On flat surfaces, like asphalt roads, raise the skid plates up to 5-6 mm (0.2-0.25 in) off the ground.
- The scraper bar is reversible. When it becomes worn almost to the edge of the housing, reverse it. Replace the scraper bar if it is damaged, or if both sides are worn.
- Do not dispatch the chute deflector if it is clogged.
- If the product does not move forward due to unforeseen circumstances, release the drive engagement immediately or move the ON/OFF key to the "OFF" position.

---

# Maintenance

---

## Maintenance schedule

Maintenance	Daily	20 hours	50 hours	100 hours
Make sure that nuts and screws are tightened	X			
Do a check of the engine oil level	X			
Replace oil <sup>1</sup>		X	X	X
Make sure there are no fuel or oil leaks	X			
Remove clogging, foreign objects in auger	X			
Inspect the tire pressure <sup>2</sup>			X	
Inspect and change the spark plug <sup>3</sup>				X

---

**Note:** It is not necessary to add grease or to do other maintenance to the gearbox.

---

### To do a general inspection

- Make sure that all nuts and screws on the product are tightened correctly.

### To do a check of the oil level



**CAUTION:** A too low oil level can do damage to the engine. Do a check of the oil level before you start the product.

---

1. Put the product on level ground.
2. Remove the oil tank cap with the attached dipstick.
3. Clean the oil from the dipstick.
4. Put the dipstick fully into the oil tank to give a correct picture of the oil level.
5. Remove the dipstick.
6. Examine the oil level on the dipstick.
7. If the oil level is low, fill with engine oil and do a check of the oil level again.

### To replace the engine oil

1. Run the engine a few minutes to make the oil warm. Warm oil flows better and carries more contaminants.



**WARNING:** The engine oil is hot. Avoid skin contact with the used engine oil.

---

2. Put the product on level ground.
3. Run the engine until all fuel has been depleted.
4. Remove the ignition key.
5. Put a container under the oil drain plug.
6. Remove the oil drain plug, tip the product backwards and drain the used oil in the container. (Fig. 50)
7. Put the product back to the operating position.
8. Fit the oil drain plug and tighten it securely by hand.
9. Fill the engine with oil, see *To fill the engine with oil on page 13*.

---

<sup>1</sup> Replace the oil after the first 20 h, 50 h, 100 h and then every 100 h.

<sup>2</sup> See Technical data for correct tire pressure.

<sup>3</sup> Check and clean spark plug before use each year.

## To examine the spark plug



**CAUTION:** Always use the recommended spark plug type. Incorrect spark plug type can cause damage to the product.

- Examine the spark plug if the engine is low on power, is not easy to start or does not operate correctly at idle speed.
- To decrease the risk of unwanted material on the spark plug electrodes, obey these instructions:
  - a) Make sure that the idle speed is correctly adjusted.
  - b) Make sure that the fuel type is correct.
  - c) Make sure that the air filter is clean.
- If the spark plug is dirty, clean it and make sure that the electrode gap is correct, refer to *Technical data on page 19*. (Fig. 51)
- Replace the spark plug if it is necessary.

## To inspect the augers and the scraper bar

1. Before each use, inspect the augers and the scraper bar for wear.
2. If the edge of the scraper bar is worn, reverse the scraper bar. If the scraper bar has damages or is worn on both edges, replace it.
3. If the edges of the augers are worn, contact an authorized service center to replace them.

## To adjust the skid plates

The skid plates prevent damage to the bottom of the snow thrower. Adjust the skid plates (A) when the locknut (B) is loose, or the skid plate is not at the correct distance from the ground. No adjustment is necessary for standard installation.

1. Loosen the locknut (B) with a 13 mm (½ in.) open wrench.
2. Move the skid plates (A) up or down.
  - a) On flat surfaces set the distance between the scraper bar and the ground to 5-6 mm (0.2-0.25 in).
  - b) On rough surfaces set the skid plates (A) in a position where the scraper bar is above the top of the ground.



**WARNING:** Make sure that gravel and stones do not go into the

product. Objects that eject at high speed can cause injury.

3. Tighten the locknut (B). (Fig. 52)

## To replace the shear pin

The shear pin protects the product from damage. It breaks if a foreign object enters the moving parts.

1. If the shear pin breaks, stop the engine.
2. Attach a new shear pin (A) and a new clamp spring (B). (Fig. 53)

## To examine the tires

- Keep the tires free of fuel, oil and chemicals to prevent damage to the rubber.
- Keep the tires away from stumps, stones, ruts, sharp objects and other objects which can cause damage to the tires.
- Keep the tire pressure correct, see *Technical data on page 19*.

## To clear a clogged discharge chute deflector

Do not unclog the discharge chute deflector before the following operations are made.

1. Release the auger engagement and the drive engagement at the same time.
2. Wait 10 seconds to make sure that the augers have stopped.
3. Stop the product.
4. Use the tool for cleaning (at least 37 cm (15 in.) long, included in some models) to remove the clog.



**WARNING:** Do not put your hands into the discharge chute deflector or inside the auger bucket.

## To clean the product

- Clean plastic parts with a clean and dry cloth.
- Do not use a high pressure washer to clean the product.
- Do not flush water directly on the motor.
- Use a brush to remove leaves, grass and dirt.



# Troubleshooting

## Troubleshooting

Problem	Possible cause	Solution
The product does not start	The safety ignition key is not inserted.	Insert the safety ignition key.
	The product is out of fuel.	Fill the fuel tank with fresh, clean gasoline.
	The on/off key is OFF.	Move the on/off key to ON position.
	The choke is in OFF (CLOSE) position.	Move the choke to ON (FULL, OPEN) position.
	The primer is not depressed.	Press the primer.
	The engine is flooded.	Wait a few minutes before restarting, DO NOT prime.  Restart the engine while full throttle and the choke in OFF (CLOSE) position.
	The spark plug wire is not connected.	Connect the wire to the spark plug.
	The spark plug is bad.	Replace the spark plug.
	There is water in the fuel or the fuel is too old.	Empty the fuel tank and carburetor. Fill the fuel tank with fresh, clean gasoline.
	There is vapor locked in the fuel line.	Make sure that all the fuel line is below the outlet of the fuel tank. The fuel line should run continuously down from fuel tank to carburetor.
	Other causes.	Inspect the starting procedures carefully in this manual.
	The fuel switch (if so equipped) is in CLOSE (OFF) position.	Turn the fuel switch to OPEN (ON) position.
	The throttle is in STOP position.	Move the throttle to FAST position.
Decreased power	The spark plug wire is not connected.	Connect the wire to the spark plug.
	The product throws too much snow.	Decrease the speed and the width of the swath.
	The fuel tank cap is covered with ice or snow.	Remove the ice and the snow on and around the fuel tank cap.
	The muffler is dirty or clogged.	Clean or replace the muffler.
	Improper cable length.	Adjust the cable.
	The muffler is blocked.	Make sure that the engine is cool. Clear the blockage.
	The air intake of the carburetor is blocked.	Make sure that the engine is cool. Clear the blockage.

<b>Problem</b>	<b>Possible cause</b>	<b>Solution</b>
The engine idles or runs roughly	The choke is in ON (FULL, OPEN) position.	Move the choke to OFF (CLOSE) position.
	The fuel line is blocked.	Clean the fuel line.
	There is water in the fuel or the fuel is too old.	Empty the fuel tank and carburetor. Fill the fuel tank with fresh, clean gasoline.
	The carburetor needs to be replaced.	Contact an authorized service center.
	The belt is stretched.	Replace the auger v-belt.
Excessive vibration / Handle movement	Some parts are loose. The augers are damaged.	Tighten all fasteners. Replace the damaged parts. If vibration remains, contact an authorized service center.
	The handles are not positioned correctly.	Make sure that the handles are locked into position.
	The adjustment lever nuts are loose.	Tighten the nuts until the handle feels safe.
The recoil start handle is hard to pull	The recoil start handle is frozen.	Slowly pull out as much rope out of the starter as possible and release the recoil start handle. If the engine does not start, repeat the procedure or use the electrical starter.
	The rope is interfering with components.	The recoil rope should not touch any wires or hoses.
Loss of traction drive/ slowing of drive speed	The belt slips.	Adjust the cable. Adjust the belt.
Loss of snow discharge or slowing of snow discharge	The belt is worn.	Check / replace the belt.
	The belt is off the pulley.	Check / reinstall the belt.
	The chute deflector is clogged.	Clean the chute deflector.
	Foreign objects clog the augers.	Remove the debris or the foreign object from the augers.
	The shear pin is broken.	Replace the broken shear pin.
	Excessive snow and ice build up in between track components.	Remove snow and ice build up from in between track components.
	The friction drive wheel is worn.	Contact an authorized service center.
Failure of auger rotation after the grip is released	The drive belt is not aligned.	Adjust the drive belt.
	The discharge deflector is not aligned.	Adjust the discharge deflector.
The lights are not on (if so equipped)	The engine is not running.	Start the engine.
	The wire connection is loose.	Check the wire connections at the engine and the lights.
	The LED is burnt out.	Replace the LED light module. Individual LEDs can not be replaced.

Problem	Possible cause	Solution
The chute rotator is difficult to move	There is debris in the chute rotator mechanism.	Clean the internal parts of the chute rotator mechanism.
	The cables are kinked or damaged.	Make sure that the cables are not kinked. Replace the cables that are damaged.
The product turns to one side	The tire pressure is not equal.	Adjust the tire pressure and fill the tire.
	The product drives with only one wheel.	Inspect the tire lock pin.
	Uneven sled adjustment.	Adjust the skid plates and the sledge.
	Uneven skid plates adjustment.	Adjust the skid plates and the sledge.

---

## Transportation, storage and disposal

---

### Transportation and storage

- For storage and transportation of the product and fuel, make sure that there are no leaks or fumes. Sparks or open flames, for example from electrical devices or boilers, can start a fire.
- Always use approved containers for storage and transportation of fuel.
- Empty the fuel tank before you put the product in storage for a long period of time.
- If the carburetor fuel bowl has a drain plug, empty the fuel from the carburetor before you put the product in storage for a long period of time.
- Safely attach the product during transportation to prevent damage and accidents.

- Keep the product in a locked area to prevent access for children or persons that are not approved.
- Keep the product in a dry and frost free area.

### Disposal

- Obey the local requirements and applicable regulations.
- Discard all chemicals, for example engine oil or fuel, at a service center or at an applicable disposal location.
- Discard the product at an approved disposal location or send it to Husqvarna for disposal.

---

## Technical data

---

### Technical data

	<b>ST 124</b>
<b>Dimensions</b>	
Weight, with empty tanks, kg	76
Max. operating tire pressure, PSI	20
Intake height, cm	53.3
Working width, cm	61
<b>Engine</b>	
Brand	Husqvarna
Nominal engine output, kW	4.3

	<b>ST 124</b>
Displacement, cc	212
Fuel type	Unleaded regular (maximum 10% ethanol)
Fuel capacity, gal / l	0.58 / 2.2
Oil type (API SJ-SN)	SAE 5W30 (below 0°C (32°F))
Oil capacity fl. oz. / l	20 / 0.6
<b>Electrical system</b>	
Spark plug	F7RTC
Spark plug electrode gap (in. / mm)	0.027–0.031 / 0.7–0.8
<b>Noise emissions</b> <sup>4</sup>	
Sound power level, measured dB(A)	100
Sound power level, guaranteed L <sub>WA</sub> dB(A)	102
<b>Sound levels</b> <sup>5</sup>	
Sound pressure level at the operators ear, measured L <sub>PA</sub> dB(A)	86
<b>Vibration levels, a<sub>hveq</sub></b> <sup>6</sup>	
Vibration level on the handle, left / right	4.15 / 4.08

<sup>4</sup> Noise emissions in the environment measured as sound power (L<sub>WA</sub>) in conformity with EC directives 2000/14/EC and 2005/88/EC. Reported data for noise emissions has a typical statistical dispersion (standard deviation) of 1.5 dB(A). Uncertainty=1.5 dB(A)

<sup>5</sup> Noise pressure level according to EN ISO 11201. Reported data for noise pressure level has a typical statistical dispersion (standard deviation) of 1.5 dB(A). Uncertainty=1.5 dB(A)

<sup>6</sup> Vibration level according to ISO 8437-4 Annex B. Uncertainty=1.5 m/s<sup>2</sup>

---

# EC Declaration of Conformity

---

## CONTENTS OF THE EC DECLARATION OF CONFORMITY

We, Husqvarna, SE-561 82 Huskvarna, SWEDEN,  
declare under our sole responsibility that the represented  
product:

Description	Snow thrower
Brand	Husqvarna
Platform / Type / Model	ST 124
Batch	Serial number dating 2020 and onwards

complies fully with the following EU directives and  
regulations:

Directive/Regulation	Description
2006/42/EC	"relating to machinery"
2014/30/EU	"relating to electromagnetic compatibility"
2000/14/EC; 2005/88/EC	"relating to outdoor noise"
2011/65/EU	"restriction of use of certain hazardous substances"

Harmonized standards and/or technical specifications  
applied are as follows: EN ISO 12100:2010, EN ISO  
14982:2009, ISO 8437-1:2019, ISO 8437-2:2019, ISO  
8437-4:2019, ISO 3744:1995, EN 1032:2003+A1:2008,  
EN 50581:2012

In accordance with directive 2000/14/EC+2005/88/EC,  
Annex V, the declared sound values are stated in the  
technical data section of this manual and in the signed  
EC Declaration of Conformity.

The supplied snow thrower conforms to the example  
that underwent examination.

On behalf of Husqvarna AB, SE-561 82 Huskvarna,  
SWEDEN, 2020-02-07



Claes Losdal

Person responsible for compiling the technical files  
established within the EU

---

# Sadržaj

---

Uvod.....	22	Rješavanje problema.....	32
Sigurnost.....	23	Transport, skladištenje i odbacivanje.....	34
Sastavljanje.....	27	Tehnički podaci.....	35
Rukovanje.....	28	Izjava EK o usklađenosti.....	37
Održavanje.....	30		

---

## Uvod

---

### Pregled proizvoda

(Sl. 1)

1. Uključivanje svrdla
2. Ručica za regulaciju brzine
3. Upravljačka ploča
4. Kabl svrdla
5. Kontrola usmjerivača žlijeba
6. Deflektor žlijeba
7. Alat za čišćenje
8. Kućište svrdla
9. Svrdla
10. Štitnik motora
11. Guma
12. Dosipanje ulja
13. Motor
14. Donja ručka
15. Šipka za regulaciju brzine
16. Pogonski kabl
17. Ručica pokretača
18. Uključivanje pogona
19. Rukohvati
20. Pumpica za gorivo
21. Saug
22. Sklopka za gorivo
23. Tipka za uključivanje/isključivanje
24. Korisnički priručnik

### Opis proizvoda

Proizvod predstavlja bacač snijega koji se koristi za uklanjanje snijega s tla.

### Namjena

Proizvod se može koristiti za uklanjanje snijega s polja, cesta, pješačkih staza i prilaza. Nemojte ga koristiti na nagibima većim od 15°. Proizvod nemojte koristiti u područjima s mnogo ostataka, nečistoća i izbočenog kamenja.

### Symbols on the product

---

**Napomena:** If the decals on the product are damaged, contact the distributor to replace them.

---

- |          |   |
|----------|---|
| (Sl. 2)  | Warning.  |
| (Sl. 3)  | Read the operator's manual.   |
| (Sl. 4)  |   |
| (Sl. 5)  | Hot surface.  |
| (Sl. 6)  | Risk of fire.   |
| (Sl. 7)  | Choke.  |
| (Sl. 8)  | Pull starter rope handle.   |
| (Sl. 9)  | Do not breathe in the exhaust fumes from the engine.  |
| (Sl. 10) | Do not put any part of the body into the chute deflector or the auger housing when the augers rotate.                         |
| (Sl. 11) | Stop the engine before you remove snow from the chute deflector. Use the clean-out tool to remove snow, do not do it by hand. |
| (Sl. 12) |   |
| (Sl. 11) | Keep hands away from the chute deflector.   |
| (Sl. 13) | Objects can be ejected from the product.  |
| (Sl. 14) | Keep bystanders away from the product when operating.   |
| (Sl. 15) | Remove key before maintenance.  |
| (Sl. 16) | Push in the on/off key to the RUN position.   |
| (Sl. 17) | Turn the fuel switch to the ON position.  |
| (Sl. 18) | Push the primer.  |
| (Sl. 19) | Risk of falling.  |

- (Sl. 20) Move slowly rearward.
- (Sl. 21) Use approved protective gloves.
- (Sl. 22) Use a protective helmet. Use approved hearing protection. Use approved eye protection.
- (Sl. 23) Noise emissions to the environment according to European Directive 2000/14/EC and New South Wales legislation "Protection of the Environment Operations (Noise Control) Regulation 2017". Noise emission data can be found on the machine label and in the Technical data chapter.
- (Sl. 24) European machinery directive for safety.

**Napomena:** Other symbols/decals on the product refer to certification requirements for some markets.

## Emisije Euro V



**UPOZORENJE:** Neovlaštenim otvaranjem proizvoda poništava se EU odobrenje tipa ovog proizvoda.

## Sigurnost

### Definicija sigurnosti

Definicije u nastavku daju stepen ozbiljnosti za svaku signalnu riječ.



**UPOZORENJE:** Ozljede kod osoba.



**OPREZ:** Oštećenje na proizvodu.

**Napomena:** Ove informacije čine proizvod lakšim za korištenje.

## Postupci za siguran rad za samohodne bacače snijega

### Opće informacije

Ovaj uređaj može amputirati ruke i noge i odbacivati predmete. Uvijek se pridržavajte svih sigurnosnih uputa kako biste izbjegli teške tjelesne povrede.

### Obuka

- Prije nego što počnete koristiti uređaj pročitajte, proučite i slijedite sve upute navedene na mašini i u priručniku. Detaljno upoznajte komande i ispravno korištenje mašine. Naučite postupak za brzo zaustavljanje uređaja i deaktiviranje komandi.

## Proizvođač

Husqvarna AB

Drottninggatan 2, SE-561 82 Huskvarna

## Odgovornost za proizvod

Kao što je navedeno u zakonima o odgovornosti za proizvod, mi nismo odgovorni za oštećenja koja uzrokuju naš proizvod ako:

- je proizvod pogrešno popravljen.
- je proizvod popravljen koristeći dijelove koji nisu od proizvođača ili koji nisu odobreni od strane proizvođača.
- proizvod ima dodatnu opremu koju nije napravio proizvođač ili koji proizvođač ne odobrava.
- proizvod nije popravljen u nekom od odobrenih servisa ili od strane odobrenog tijela.

- Djeca nikad ne smiju upravljati mašinom. Nikad ne dopuštajte odraslim osobama da koriste mašinu bez odgovarajućih uputa.
- Pazite da u radnom području ne bude drugih osoba, posebno ne male djece.
- Budite oprezni kako se ne biste okliznuli ili pali, posebno prilikom korištenja mašine unatrag.

### Priprema

- Temeljito pregledajte područje na kojem ćete koristiti mašinu i uklonite sve otiračače, sanke, daske, žice i druge strane predmete.
- Prije pokretanja motora odspojite sve spojke i pređite u neutralni položaj.
- Nemojte koristiti mašinu ako ne nosite odgovarajuću zimsku odjeću. Nemojte nositi široku odjeću koja može zapeti u pokretnim dijelovima. Nosite obuću koja poboljšava uporište na klizavim površinama.
- Tokom pogona ili podešavanja ili popravaka obavezno nosite zaštitne naočale ili štitnike za oči kako biste oči zaštitili od stranih predmeta koji mogu biti izbačeni iz mašine.
- Gorivom rukujte oprezno; veoma je zapaljivo.
  - Koristite odobreni spremnik za gorivo.
  - Gorivo nikada nemojte ulijevati u motor u pogonu ili u vrući motor.
  - Rezervoar za gorivo puniti na otvorenom i veoma oprezno. Rezervoar za gorivo nikad nemojte puniti u zatvorenom prostoru.
  - Spremnike nije dopušteno puniti u vozilu ni na kamionu ili prikolici s plastičnom ceradom.

Spremnike pri punjenju obavezno postavite na tlo, dalje od vozila.

- Kad je to moguće, iz kamiona ili s prikolice uklonite opremu pogonjenu benzinom i punite je na tlu. Ako to nije moguće, takvu opremu napunite na prikolici pomoću prenosnog spremnika, a ne mlaznicom za dosipanje goriva.
- Mlaznica mora stalno biti u dodiru s obodom ili otvorom rezervoara za gorivo, sve dok ne dovršite dosipanje. Ne koristite pištolj za punjenje s mogućnošću blokiranja mlaznice u otvorenom položaju.
- Pričvrstite čep spremnika za gorivo i obrišite proliveno gorivo.
- Ako se gorivo prolije na odjeću, odmah se presvuците.
- Za sve jedinice s elektropokretačima koristite produžne kablove i utičnice usklađene s uputama proizvođača.
- Podesite visinu kućišta sakupljača kako biste ga odmaknuli od površine prekrivene šljunkom ili drobljenim kamenom.
- Nikad nemojte pokušati provoditi podešavanja dok je motor u pogonu (osim kad postupate po izričitoj preporuci proizvođača).

## Rukovanje

- Ruke i noge nemojte stavljati u blizini ili ispod rotirajućih dijelova. Nikad se ne približavajte otvoru za izbacivanje.
- Budite izuzetno pažljivi pri radu ili prelasku preko šljunčanih prilaza ili staza. Budite na oprezu radi skrivenih opasnosti ili prilikom rada blizu javnih cesta.
- Nakon udara u strani predmet zaustavite motor, skinite žicu sa svjeće, odspojite kabl na elektromotorima, temeljito pregledajte je li bacač snijega oštećen i popravite oštećenja prije ponovnog pokretanja i korištenja bacača snijega.
- Ako oprema počne pretjerano vibrirati, zaustavite motor i smjesta utvrdite razlog. Vibracije najčešće predstavljaju upozorenje na moguće probleme.
- Motor zaustavite pri svakom napuštanju radnog položaja, prije odčepijavanja kućišta sakupljača/rotora ili otvora za izbacivanje kao i prilikom popravki, podešavanja ili pregleda.
- Motor nemojte pogoniti u zatvorenom prostoru, osim pri pokretanju motora i transportiranju bacača snijega u objekt ili iz njega. Otvorite vanjska vrata; ispušni plinovi su opasni.
- Pri radu na nagibima budite izuzetno oprezni.
- Mašinu nikad nemojte pogoniti bez postavljenih i ispravnih odgovarajućih štitnika i drugih zaštitnih uređaja.
- Otvor za izbacivanje nikad nemojte usmjeravati prema osobama ili u područja u kojima možete uzrokovati oštećenje imovine. Djeci i drugim osobama onemogućite pristup.

- Nemojte preoptereti mašinu nastojeći čistiti snijeg prevelikom brzinom.
- Mašinu na klizavim površinama nikad nemojte pogoniti velikom brzinom kretanja. Gledajte iza i budite oprezni dok radite unatrag.
- Isključite napajanje sakupljača/rotora prilikom transportiranja mašine ili kad je ne koristite.
- Koristite samo priključke i dodatnu opremu s odobrenjem proizvođača mašine (poput tegova za točkove, protivtegova ili kabina).
- Mašinu nikad nemojte koristiti u uslovima loše vidljivosti ili pri slaboj osvjetljenosti. Obavezno održavajte sigurno uporište i čvrsto držite ručke. Hodajte; nikad nemojte trčati.
- Nikad nemojte dodirivati vrući motor ili prigušivač.

## Čišćenje začepjenog otvora za izbacivanje

- Diranje rotora koji se okreće u otvoru za izbacivanje je najčešći uzrok povreda povezanih s bacačima snijega. Otvor za izbacivanje nikad nemojte čistiti rukom.
- Čišćenje žlijebe:
  1. ISKLJUČITE MOTOR!
  2. Pričekajte 10 s kako biste bili sigurni da su se lopatice rotora prestale okretati.
  3. Uvijek koristite alat za čišćenje; nemojte čistiti rukama.

## Održavanje i skladištenje

- Često provjeravajte ispravnu pritegnutost smičnih vijaka i drugih vijaka kako biste bili sigurni da je oprema u sigurnom radnom stanju.
- Nikad nemojte skladištiti mašinu s gorivom u rezervoaru za gorivo unutar objekta u kojem ima izvora paljenja kao što su grijači vode, grijači prostora ili sušilice za odjeću. Prije odlaganja u zatvorenom prostoru uvijek pričekajte da se motor ohladi.
- U priručniku s uputama uvijek potražite važne informacije ukoliko bacač snijega želite uskladištiti na duži vremenski period.
- Po potrebi održavajte ili mijenjajte sigurnosne naljepnice.
- Ostavite mašinu da radi nekoliko minuta nakon izbacivanja snijega kako bi se spriječio zamrzavanje sakupljača/rotora.
- Prilikom čišćenja, popravljanja ili pregleda bacača snijega zaustavite motor i provjerite jesu li se zaustavili sakupljač/rotor i svi pokretni dijelovi. Odspojite žicu svjeće i držite je dalje od svjeće kako biste spriječili slučajno pokretanje motora.

## Opća sigurnosna uputstva

- Koristite proizvod na pravilan način. Povreda ili smrt je moguć ishod nepravilnog korištenja. Proizvod koristite samo za poslove koji su navedeni u ovom priručniku. Nemojte koristiti proizvod za druge poslove.



- Poštujte uputstva iz ovog priručnika. Poštujte sigurnosne simbole i sigurnosna uputstva. Ako operater ne poštuje uputstva i simbole, povreda, oštećenje ili smrt su mogući ishodi.
- Nemojte bacati ovaj priručnik. Koristite uputstva da sastavite, rukujete i održavate svoj proizvod u dobrom stanju. Koristite uputstva da biste pravilno ugradili priključke i dodatke. Koristite samo odobrene priključke i dodatke.
- Nemojte koristiti oštećen proizvod. Poštujte raspored održavanja. Obavljajte samo one radove na održavanju za koje pronađete uputstva u ovom priručniku. Sve druge radove na održavanju mora obavljati ovlašteni servisni centar.
- Ovaj priručnik ne može uključivati sve situacije koje se mogu desiti kada koristite proizvod. Budite oprezni i koristite svoj zdrav razum. Nemojte rukovati proizvodom ili obavljati radove na održavanju proizvoda ako niste sigurni u vezi situacije. Za informacije se obratite stručnjaku za proizvod, svom trgovcu, servisnom zastupniku ili ovlaštenom servisnom centru.
- Isključite kabl svjeće prije nego što sastavite proizvod, odložite proizvod na skladište ili prije radova na održavanju.
- Nemojte koristiti proizvod ako je promijenjen od svoje inicijalne specifikacije. Nemojte mijenjati dio proizvoda bez odobrenja od proizvođača. Koristite samo dijelove koji su odobreni od strane proizvođača. Povreda ili smrt je moguć ishod nepravilnog održavanja.
- Nemojte udisati pare iz motora. Dugotrajno inhaliranje ispušnih para motora je opasno po zdravlje.
- Nemojte pokretati proizvod u zatvorenom prostoru ili u blizini zapaljivih materijala. Izduvne pare su vruće i mogu sadržavati iskre koje mogu izazvati požar. Nedovoljan protok zraka može izazvati povredu ili smrt zbog nedostatka kisika ili ugljičnog monoksida.
- Kada koristite ovaj proizvod, motor stvara elektromagnetno polje. Elektromagnetno polje može izazvati oštećenje na medicinskim implantatima. Porazgovarajte s ljekarom i proizvođačem medicinskog implantata prije rada s proizvodom.
- Nemojte dopustiti da dijete rukuje proizvodom. Nemojte dopustiti osobi bez znanja o uputstvima da rukuje proizvodom.
- Uvjerite se da uvijek nadgledate osobu, sa smanjenim fizičkim kapacitetom ili mentalnim sposobnostima, koja koristi proizvod. Odgovorna osoba mora biti prisutna cijelo vrijeme.
- Zaključajte proizvod u području koje nije pristupačno djeci i neovlaštenim osobama.
- Proizvod može izbaciti predmete i izazvati povrede. Poštujte sigurnosna uputstva da biste smanjili opasnost od povrede ili smrti.
- Nemojte napuštati proizvod dok je motor uključen.
- Rukovalac proizvodom je odgovoran ako dođe do nezgode.
- Prije i tokom hodanja unatrag, gledajte iza sebe i dolje kako biste vidjeli ima li male djece, životinja ili drugih opasnosti zbog kojih biste mogli pasti.
- Prije korištenja proizvoda, uvjerite se da dijelovi nisu oštećeni.
- Uvjerite se da se nalazite na minimalnoj udaljenosti od 15 m (50 stopa) od drugih osoba ili životinja prije korištenja proizvoda. Uvjerite se da osoba koja se nalazi u blizini upoznata da ćete koristiti proizvod.
- Pogledajte državne ili lokalne zakone. Oni mogu spriječiti ili smanjiti rad proizvoda u nekim uslovima.

## Obuka

- Prije nego što počnete koristiti uređaj pročitajte, proučite i slijedite sve upute navedene na mašini i u priručniku. Detaljno proučite komande i pravilno korištenje opreme. Naučite postupak za brzo zaustavljanje uređaja i deaktiviranje komandi.
- Djeca nikad ne smiju upravljati premom. Nikad ne dopuštajte odraslim osobama da koriste opremu bez odgovarajućih uputa.
- Pazite da u radnom području ne bude drugih osoba, posebno ne male djece.
- Budite oprezni kako se ne biste okliznuli ili pali, posebno prilikom korištenja bacača snijega unatrag.

## Sigurnosne upute za rad

- Ruke i noge nemojte stavljati u blizini ili ispod rotirajućih dijelova. Nikad se ne približavajte otvoru za izbacivanje.
- Budite izuzetno pažljivi pri radu ili prelasku preko šljunčanih prilaza, staza ili cesta. Budite na oprezu zbog skrivenih opasnosti ili prometa.
- Nakon udarca u strani predmet zaustavite motor, uklonite žicu svjeće, odspojite kabl s elektromotora, temeljito pregledajte je li proizvod oštećen i popravite oštećenja prije ponovnog pokretanja i rada s mašinom.
- Ako proizvod počne pretjerano vibrirati, zaustavite motor i odmah potražite razlog. Vibracije najčešće predstavljaju upozorenje na moguće probleme.
- Motor zaustavite pri svakom napuštanju radnog položaja, prije odčepijavanja kućišta svrdla ili deflektora žiljeba te za popravke, podešavanje ili pregleda.
- Pri čišćenju, popravljanju ili pregledu proizvoda zaustavite motor i provjerite jesu li se zaustavila svrdla i svi pokretni dijelovi. Odspojite žicu svjeće i držite je dalje od svjeće kako biste spriječili slučajno pokretanje motora.
- Motor nemojte pogoniti u zatvorenom prostoru, osim pri pokretanju motora za transport proizvoda u građevinu ili iz nje. Otvorite vanjska vrata; ispušni plinovi su opasni.
- Pri radu na nagibima budite izuzetno oprezni.
- Proizvod nikad nemojte pogoniti bez postavljenih i ispravnih odgovarajućih štitnika i drugih zaštitnih uređaja.

- Deflektor žlijeba nikad nemojte usmjeravati prema osobama ili u područja u kojima možete uzrokovati oštećenje imovine. Djeci i drugim osobama onemogućite pristup.
- Nemojte preopteretiti proizvod nastojeći čistiti snijeg prevelikom brzinom.
- Mašinu na klizavim površinama nikad nemojte pogoniti visokom brzinom. Gledajte iza i budite oprezni dok radite unatrag.
- Isključite napajanje svrdla kad transportirate ili ne koristite proizvod.
- Koristite samo priključke i dodatnu opremu s odobrenjem proizvođača proizvoda (poput tegova za točkove, protivtegova ili kabina).
- Proizvod nikad nemojte pogoniti u uslovima loše vidljivosti ili pri slaboj osvjetljenosti. Obavezno održavajte sigurno uporište i čvrsto držite ručke. Hodajte; nikad nemojte trčati.
- Nikad nemojte dodirivati vrući motor ili prigušivač.

## Sigurnost područja rada

- Temeljito pregledajte područje na kojem ćete koristiti opremu te uklonite sve otiračače, sanke, daske, žice i druge strane predmete.
- Prije pokretanja motora odspojite sve spojke i pređite u neutralni položaj.
- Proizvod nemojte koristiti bez odgovarajuće zimske odjeće. Nemojte nositi široku odjeću koja može zapeti u pokretnim dijelovima. Nosite obuću koja poboljšava uporište na klizavim površinama.
- Gorivom rukujte oprezno; veoma je zapaljivo.
  - Koristite odobreni spremnik za gorivo.
  - Gorivo nikada nemojte ulijevati u motor u pogonu ili u vrući motor.
- Rezervoar za gorivo puniti na otvorenom i veoma oprezno. Rezervoar za gorivo nikad nemojte puniti u zatvorenom prostoru.
- Spremnike nije dopušteno puniti u vozilu ni na kamionu ili prikolici s plastičnom ceradom. Spremnike pri punjenju obavezno postavite na tlo, dalje od vozila.
- Kad je to moguće, iz kamiona ili s prikolice uklonite opremu pogonjenu benzinom i puniti je na tlu. Ako to nije moguće, takvu opremu napunite na prikolici pomoću prenosnog spremnika, a ne mlaznicom za dosipanje goriva.
- Mlaznica mora stalno biti u dodiru s obodom ili otvorom rezervoara za gorivo, sve dok ne dovršite dosipanje. Ne koristite pištolj za punjenje s mogućnošću blokiranja mlaznice u otvorenom položaju.
- Pričvrstite čep spremnika za gorivo i obrišite proliveno gorivo.
- Ako se gorivo proljeva na odjeću, odmah se presvucite.
- Za sve jedinice s pogonskim elektromotorima ili elektropokretačima koristite produžne kablove i utičnice usklađene s uputama proizvođača.

- Podesite visinu kućišta svrdla kako biste ga odmaknuli od površine prekrivene šljunkom ili drobljenim kamenom.
- Nikad nemojte pokušati provoditi podešavanja dok je motor u pogonu (osim kad postupate po izričitoj preporuci proizvođača).
- Tokom pogona ili podešavanja ili popravaka obavezno nosite zaštitne naočale ili štitnike za oči kako biste oči zaštitili od stranih predmeta koji mogu biti izbačeni iz mašine.

## Lična zaštitna oprema

Uvijek koristite pravilnu opremu za ličnu zaštitu kada rukujete proizvodom. Ta oprema minimalno obuhvata robusnu obuću, zaštitu za oči i zaštitu sluha. Oprema za ličnu zaštitu ne otklanja rizik od povreda, ali može umanjiti težinu povrede u slučaju nezgode.

- Uvijek nosite sigurnosne naočale ili zaštitu za oči dok rukujete proizvodom ili vršite radnje održavanja ili popravka.
- Uvijek nosite odgovarajuće zimske odjevne predmete kad rukujete proizvodom.
- Dok rukujete proizvodom, uvijek koristite čizme s protukliznim donom za teške uslove rada i s dobrom podrškom za skočne zglobove.
- Ne nosite široku odjeću koja može zapeti u pokretnim dijelovima.
- Ako je potrebno, koristite odobrene zaštitne rukavice. Na primjer, prilikom postavljanja, pregledavanja ili čišćenja noža.
- Uvijek koristite odobrenu zaštitu za uši dok rukujete proizvodom. Buka tokom dužeg perioda može izazvati gubitak sluha uzrokovan bukom.

## Sigurnosni mehanizmi na proizvodu

- Uvjerite se da redovno obavljate održavanje proizvoda.
  - Životni vijek proizvoda se time povećava.
  - Opasnost od nezgoda se smanjuje.

Dopustite ovlaštenom trgovcu ili ovlaštenom servisnom centru da redovno ispituju proizvod kako bi obavili prilagođavanja ili popravke.

- Nemojte koristiti proizvod koristeći oštećenu zaštitnu opremu. Ako je proizvod oštećen, obratite se ovlaštenom servisnom centru.

## Prigušivač

Prigušivač održava nivo buke na minimumu i usmjerava ispušne plinove dalje od rukovaoca.

Ne koristite proizvod ako prigušivač nedostaje ili je oštećen. Oštećeni prigušivač povećava nivo buke i rizik od požara.



**UPOZORENJE:** Prigušivač se jako zagrijava tokom i nakon korištenja i kad motor radi na broju obrtaja u praznom hodu. Budite oprezni u blizini zapaljivih materijala i/ili

isparenja kako biste spriječili nastanak požara.

## Sigurnosne mjere pri rukovanju s gorivom



**UPOZORENJE:** Prije upotrebe proizvoda pročitajte upozorenja u nastavku.

- Nemojte pokretati proizvod ako u proizvodu ima goriva ili motornog ulja na proizvodu. Odstranite neželjeno gorivo/ulje i dopustite da se proizvod osuši.
- Ako prolijete gorivo po odjeći, odmah presvucite odjeću.
- Nemojte dopustiti da gorivo dospije na tijelo, to može izazvati povredu. Ako gorivo dospije na odjeću, koristite sapun i vodu da odstranite gorivo.
- Nemojte pokretati proizvod ako se na motoru javlja curenje. Redovno provjeravajte motor na curenje.
- Budite oprezni s gorivom. Gorivo je zapaljivo i pare su eksplozivne i mogu izazvati povrede ili smrt.
- Nemojte udisati pare od goriva, to može izazvati povredu. Uvjerite se da ima dovoljno protoka zraka.
- Nemojte pušiti u blizini goriva ili motora.
- Nemojte stavljati tople predmete u blizini goriva ili motora.
- Nemojte dodavati gorivo kada je motor uključen.
- Uvjerite se da je motor hladan prije nego dopunite gorivo.
- Prije dopunjavanja gorivom, otvorite poklopac rezervoara za gorivo i pažljivo oslobodite pritisak.
- Nemojte dodavati gorivo u motor u zatvorenom prostoru. Nedovoljni protok zraka može izazvati povredu ili smrt zbog nedostatka kisika ili ugljičnog monoksida.
- Potpuno pritegnite poklopac rezervoara za gorivo. Ako poklopac rezervoara za gorivo nije pritegnut, postoji opasnost od požara.
- Pomjerite proizvod minimalno 3 m (10 stopa) od položaja gdje ste punili spremnik za gorivo prije pokretanja proizvoda.
- Rezervoar za gorivo nemojte potpuno napuniti. Gorivo se na vrućini širi. Zadržite slobodnog prostora pri vrhu rezervoara za gorivo.

## Upozorenje o hemikalijama



**UPOZORENJE:** Ispušni plinovi iz ovog proizvoda sadrže hemikalije za koje Savezna država Kalifornija smatra da uzrokuju rak, defekte pri rođenju i druga reproduktivna oštećenja. Više informacija potražite na stranici [www.P65Warnings.ca.gov](http://www.P65Warnings.ca.gov).

## Sigurnosne upute za održavanje



**UPOZORENJE:** Prije upotrebe proizvoda pročitajte upozorenja u nastavku.

- Ispušne pare iz motora sadrže karbon monoksid, veoma otrovan i opasan gas bez mirisa. Ne pokrećite motor u zatvorenom prostoru ili prostorijama.
- Prije obavljanja radnji održavanja na proizvodu, zaustavite rad motora i skinite kabl za paljenje sa svjećice.
- Nosite zaštitne rukavice prilikom obavljanja radnji održavanja na noževima. Noževi su veoma oštri i lako može doći do posjekotina.
- Pribor i promjene na proizvodu koje nije odobrio proizvođač mogu uzrokovati teške povrede ili smrt. Nemojte vršiti izmjene na proizvodu. Uvijek koristite pribor koji ima odobrenje proizvođača.
- Ako se održavanje ne provodi ispravno i redovno, povećava se opasnost od povreda i oštećenja proizvoda.
- Održavanje provodite isključivo u skladu s uputama iz ovog korisničkog priručnika. Sve druge poslove servisiranja mora obaviti ovlaštena servisna osoba.
- Redovno servisiranje proizvoda smije obavljati ovlašteni serviser.
- Zamijenite oštećene, istrošene ili polomljene dijelove.

## Sastavljanje



**UPOZORENJE:** Pročitajte i proučite poglavlje za sigurnosna uputstva prije nego što sastavite proizvod.

### Postavljanje ručica

1. Skinite 4 vijka M8x25 na prirubnici (A) s kućišta.
2. Koristite 4 vijka M8x25 na prirubnici (A), 4 opružna odstojnika (B) i 4 ravna odstojnika (C).
3. Postavite donju ručku (D) u 2 rupe na obje strane kućišta. (Sl. 25)
4. Koristite 3 vijka M8x50 za pričvršćivanje ručke (A), 3 odstojnika (B), 3 držača ručice (C), i 3 pričvršne matice (D).
5. Postavite gornju ručku tako da upravljačka ploča (E) bude na donjoj ručki. (Sl. 26)

## Skapanje deflektora žlijeba

1. Skinite disk usmjerivača (B) i 6 šestougaonih vijaka za prirubnicu (D) s kućišta.
2. Postavite disk usmjerivača (B) i deflektor žlijeba (A) na bazu žlijeba pomoću 3 ograničavajuća bloka (C).
3. Koristite 6 šestougaonih vijaka za prirubnicu (D) i 6 pričvršnih matice (E) kako biste zabravili ograničavajuće blokove (C). (Sl. 27)

## Skapanje usmjerivača žlijeba

1. Sastavite prednji kraj usmjerivača žlijeba.
2. Postavite plastičnu čahuru (B) na prednji kraj usmjerivača žlijeba.
3. Postavite usmjerivač žlijeba koristeći 1 ravni odstožnik (A) i 1 iglu (C). (Sl. 28)
4. Sastavite stražnji kraj usmjerivača žlijeba.
5. Koristite 1 pričvršnu maticu M8 (A), 1 plastičnu kapicu za učvršćivanje ručke (B), 2 zakrivljena odstožnika (C) i 1 vijak za poravnavanje (D) kako biste sastavili usmjerivač žlijeba.
6. Koristite 1 šestougaonu maticu M8 (E) kako biste pričvrstili usmjerivač žlijeba (F) u otvore na ručki. (Sl. 29)

## Skapanje šipke za regulaciju brzine

1. Postavite dugi zakrivljeni kraj šipke za regulaciju brzine (A) na upravljačku ploču i pričvrstite je 1

poveznom oprugom za šipku (B), 1 ravnim odstožnikom (C) i 1 rascjepkom (D). (Sl. 30)

2. Povucite prema gore pomičnu povezu ploču (B) i postavite kratki zakrivljeni kraj šipke za regulaciju brzine (A). Pričvrstite šipku za regulaciju brzine (A) koristeći 1 ravni odstožnik (C) i 1 rascjepku (D). (Sl. 31)
3. Ako je potrebno, produžite šipku za regulaciju brzine. Otpustite pričvršne matice na kopči za podešavanje i okrenite kopču za podešavanje. Pritegnite kopču za podešavanje u izvorni položaj radi pravilne regulacije brzine. Izvorni položaj je označen na navojima. (Sl. 32)

## Skapanje kablova svrdla i pogona

1. Uklonite 2 matice vijaka kablova (B) s kablova (D).
2. Pričvrstite 2 matice vijaka kablova (B) u otvore na lijevoj i desnoj ručki (A). (Sl. 33)
3. Pričvrstite kablove (D) za matice vijaka kablova (B).
4. Spojite i zabravite navojni umetak lijevog i desnog kabla (D) i maticu vijka kabla (B) tako da se vrh mjedene sigurnosne matice (C) poravnava s oznakom na navojima (E).
5. Zabravite kabl mjedenom sigurnosnom maticom (C).

---

## Rukovanje

---



**UPOZORENJE:** Prije rada s proizvodom pažljivo i s razumijevanjem pročitajte poglavlje o sigurnosti i upute za sastavljanje.

### Prije početka rada s proizvodom

- Ne dajte osobama i životinjama da prilaze u radno područje.
- Vršite svakodnevno održavanje. Pogledajte *Plan održavanja na strani 30*.
- Provjerite je li vod paljenje pravilno uklopljen na svjećicu.
- Dodajte ulje ili benzin ako je potrebno. Pogledajte *Dosipanje ulja u motor na strani 38*.

### Dosipanje ulja u motor



**OPREZ:** Ne okrećite mjernu šipku prilikom mjerenja količine ulja. Nemojte puniti preko oznake.

1. Skinite poklopac za dosipanje ulja i očistite mjernu šipku. Informacije o položaju mjerne šipke potražite u odjeljku *Pregled proizvoda na strani 22*.

2. Dospite ulje do gornje oznake na mjernoj šipci. Redovno provjeravajte nivo ulja pomoću mjerne šipke.
3. Vratite poklopac za dosipanje ulja na mjesto.

### Dosipanje goriva

Ako je dostupan, koristite benzin s niskim emisijama/alkilatni benzin. Ako benzin s niskim emisijama/alkilatni benzin nije dostupan, koristite kvalitetan bezolovni benzin. Koristite benzin s oktanskim brojem 90 RON izvan Sjeverne Amerike (87 (R+M)/2 u Sjevernoj Americi) ili većim i s maksimalno 10 % etanola (E10).



**OPREZ:** Izvan Sjeverne Amerike nemojte koristiti benzin s oktanskim brojem manjim od 90 RON (87 (R+M)/2 u Sjevernoj Americi). To može izazvati oštećenje na proizvodu.

1. Čep rezervoara za gorivo otvarajte polako kako biste otpustili pritisak.
2. Puniti polako koristeći kanister za gorivo. Ako prolijete gorivo, obrišite ga krpom i pričekajte da se preostalo gorivo osuši.
3. Očistite područje oko poklopca rezervoara.

4. Potpuno pritegnite poklopac rezervoara za gorivo. Ako poklopac rezervoara za gorivo nije pritegnut, postoji opasnost od požara.
5. Prije pokretanja proizvod odmaknite najmanje 3 m (10 stopa) od mjesta punjenja rezervoara.

## Podešavanje deflektora žlijeba

Smjer u kojem se snijeg izbacuje podešava se polugom za usmjerivač žlijeba koja je postavljena na lijevu ručku.

1. Rotirajte polugu za usmjerivač žlijeba kako biste odredili pravac rotacije kod izbacivanja snijega.
2. Okrenite polugu usmjerivača žlijeba u smjeru kazaljke na satu kako bi se snijeg izbacivao udesno.
3. Okrenite polugu usmjerivača žlijeba u smjeru suprotnom od okretanja kazaljke na satu kako bi se snijeg izbacivao ulijevo. (Sl. 34)
4. Podesite ugao nagiba deflektora gore ili dolje kako biste prilagodili daljinu izbacivanja snijega. (Sl. 35)

## Zaustavljanje motora

1. Otpustite uključivanje pogona. Ručicu za regulaciju brzine postavite u prvi položaj.
2. Prekidač za gorivo postavite u položaj ON (UKLJUČENO). (Sl. 36)
3. Okrenite saug u položaj CLOSE (ZATVOREN). (Sl. 37)
4. Gurnite tipku za uključivanje/isključivanje prema unutra u položaj RUN (RAD). (Sl. 38)
5. Pritisnite pumpicu za gorivo 1-3 puta kako biste pokrenuli pumpu za pojačavanje. Pumpu za pojačavanje koristiti kod hladnih startova na niskim temperaturama. (Sl. 39)
6. Povucite povratnu ručku za pokretanje. (Sl. 40)



**OPREZ:** Nemojte brzo otpustiti povratnu ručku za pokretanje. Vratite je polako u početni položaj.

**Napomena:** Ako je ručka pokretača zaglavljena, polako iz pokretača izvucite što više užeta i otpustite povratnu ručku za pokretanje. Ako se motor ne pokrene, ponovite postupak ili upotrijebite električni pokretač.

7. Prije nego što počnete s bacanjem snijega, motor ostavite da radi 30-40 sekundi u praznom hodu.
8. Kad je motor zagrijan, polako pomjerite saug u položaj OPEN (OTVOREN). (Sl. 41)

## Pokretanje motora, električno pokretanje



**UPOZORENJE:** Proizvod ima elektropokretač koji radi na 230 V naizmjenične struje. Nemojte koristiti elektropokretač ako sistem za napajanje

naizmjeničnom strujom od 230 V nije pravilno uzemljen. Može doći do teških tjelesnih povreda ili oštećenja proizvoda. Elektropokretač ima trožilni električni utikač koji je namijenjen za napajanje naizmjeničnom strujom od 230 V u domaćinstvu. Provjerite je li sistem za napajanje naizmjeničnom strujom od 230 V u vašem domu pravilno uzemljen. Ako niste sigurni, upitajte ovlaštenog električara.

**Napomena:** Koristite produžni kabl koji se preporučuje za upotrebu na otvorenom, s promjerom žice koji nije manji od 16 AWG (1,5 mm<sup>2</sup>) i maksimalne dužine 50 stopa (15 m).

1. Otpustite uključivanje pogona. Ručicu za regulaciju brzine postavite u prvi položaj.
2. Prekidač za gorivo postavite u položaj ON (UKLJUČENO). (Sl. 36)
3. Okrenite saug u položaj CLOSE (ZATVOREN). (Sl. 37)
4. Gurnite tipku za uključivanje/isključivanje prema unutra u položaj RUN (RAD). (Sl. 38)
5. Pritisnite pumpicu za gorivo 1-3 puta kako biste pokrenuli pumpu za pojačavanje. Pumpu za pojačavanje koristiti kod hladnih startova na niskim temperaturama. (Sl. 39)
6. Povežite proizvod na napajanje. (Sl. 42)
7. Pritisnite i držite dugme za pokretanje na upravljačkoj kutiji 5 sekundi. (Sl. 43)
8. Ako se motor ne pokreće, pričekajte 5 sekundi i zatim ponovo pritisnite dugme za pokretanje.



**OPREZ:** Motor nemojte pokušavati pokrenuti više od 10 puta. Nakon 10 pokušaja, pričekajte 40 minuta prije nego što pokušate ponovo.

9. Iskopčajte kabl za napajanje iz proizvoda kad se motor pokrene.
10. Prije nego što počnete s bacanjem snijega, motor ostavite da radi 30-40 sekundi u praznom hodu.
11. Kad je motor zagrijan, polako pomjerite saug u položaj OPEN (OTVOREN). (Sl. 41)

## Rad s uređajem

1. Stisnite uključivanje svrdla u ručicu kako biste aktivirali svrdlo i izbacivali snijeg. (Sl. 44)
2. Pomaknite ručicu za regulaciju brzine ulijevo kako biste proizvod pomicali unaprijed. Pomaknite ručicu za regulaciju brzine udesno kako biste proizvod pomicali unatrag. (Sl. 45)
3. Desnom ručkom upravljajte uključivanjem pogona.
4. Stisnite uključivanje pogona u ručicu kako biste aktivirali pogonske točkove. Proizvod se kreće

naprijed ili natrag ovisno o lokaciji ručice za regulaciju brzine. (Sl. 46)

## Zaustavljanje proizvoda

**Napomena:** Da biste isključili motor u hitnoj situaciji, izvucite tipku za uključivanje/isključivanje.

1. Otpustite uključivanje pogona kako biste zaustavili pogonske točkove.
2. Otpustite uključivanje svrdla kako biste deaktivirali svrdlo i prestali izbacivati snijeg. (Sl. 47)
3. Prekidač za gorivo postavite u položaj OFF (UKLUČENO). (Sl. 48)
4. Izvucite tipku za uključivanje/isključivanje. (Sl. 49)

## Ostvarivanje dobrog rezultata

- Motor uvijek koristite uz puni gas ili gotovo puni gas.
- Uvijek prilagodite brzinu rada proizvoda situaciji sa snijegom i podesite brzinu koristeći ručicu za

regulaciju brzine. Osigurajte da proizvod izbacuje snijeg ravnomjerno.

- Lakše je i djelotvornije snijeg uklanjati odmah nakon što napada.
- Snijeg izbacujte niz vjetar kad god je to moguće.
- Na ravnim površinama, kao što su asfaltni putevi, podignite štitnike motora na 5-6 mm (0,2-0,25 inča) od tla.
- Šipka strugača se može preokrenuti. Kad se istroši gotovo do ivice kućišta, preokrenite je. Zamijenite šipku strugača ako je oštećena ili ako su obje strane istrošene.
- Nemojte koristiti deflektor žlijeba ako je začepljen.
- Ako se proizvod ne pomjera naprijed zbog nepredviđenih okolnosti, odmah otpustite uključivanje pogona ili pomjerite tipku za uključivanje/isključivanje u položaj "OFF" (ISKLJUČENO).

## Održavanje

### Plan održavanja

Održavanje	Dnevno	20 sati	50 sati	100 sati
Provjerite jesu li matice i vijci pritegnuti	X			
Pregledajte nivo motornog ulja	X			
Zamijenite ulje <sup>7</sup>		X	X	X
Provjerite da nema curenja goriva ili ulja	X			
Uklonite začepljenja i strana tijela iz svrdla	X			
Pregledajte pritisak u gumama <sup>8</sup>			X	
Pregledajte i zamijenite svjećicu <sup>9</sup>				X

**Napomena:** Nije potrebno dodavati mast ili obavljati drugo održavanje mjenjača.

### Obavljanje općeg pregleda

- Provjerite jesu li sve matice i vijci na proizvodu pravilno pritegnuti.

<sup>7</sup> Ulje zamijenite nakon prvih 20 h, 50 h, 100 h i zatim svakih 100 h.

<sup>8</sup> U tehničkim podacima potražite upute o pravilnom pritisku u gumama.

<sup>9</sup> Pregledajte i očistite svjećicu prije korištenja jednom godišnje.

### Provjeravanje nivoa ulja



**OPREZ:** Prenizak nivo ulja može izazvati oštećenja motora. Prije pokretanja proizvoda pregledajte nivo ulja.

1. Postavite proizvod na ravno tlo.

2. Skinite poklopac rezervoara za ulje s pričvršćenom mjernom šipkom.
3. Očistite ulje s mjerne šipke.
4. Mjernu šipku gurnite do kraja u rezervoar za ulje kako biste izvršili pravilno očitavanje nivoa ulja.
5. Izvadite mjernu šipku.
6. Pregledajte nivo ulja na mjernoj šipci.
7. Ako je nivo ulja nizak, dopisite motorno ulje i ponovo pregledajte nivo ulja.

## Zamjena motornog ulja

1. Pogonite motor nekoliko minuta kako biste zagrijali ulje. Toplo ulje bolje teče i nosi više onečišćenja.



**UPOZORENJE:** Motorno ulje je vruće. Kožu nemojte izlagati iskorištenom motornom ulju.

2. Postavite proizvod na ravno tlo.
3. Pustite motor da radi dok se gorivo potpuno ne potroši.
4. Izvadite ključ za pokretanje.
5. Postavite spremnik ispod čepa za ispuštanje ulja.
6. Uklonite čep za ispuštanje ulja, nagnite proizvod unatrag i ispuštite istrošeno ulje u posudu. (Sl. 50)
7. Vratite proizvod u radni položaj.
8. Postavite čep za ispuštanje ulja i čvrsto ga pritegnite rukom.
9. Napunite motor uljem, pogledajte *Dosipanje ulja u motor na strani 28*.

## Da biste provjerili svječicu



**OPREZ:** Uvijek koristite preporučenu vrstu svječica. Neispravan tip svječice može izazvati oštećenje na proizvodu.

- Provjerite svječicu ako motor ima slabu energiju, ako nije lako pokrenuti ili ako ne radi ispravno na brzini pri praznom hodu.
- Da biste smanjili opasnost od neželjenih materijala na elektrodama svječice, poštujujte ova uputstva:
  - a) Uvjerite se da je brzina u praznom hodu ispravno podešena.
  - b) Provjerite koristi li se odgovarajuća vrsta goriva.
  - c) Provjerite je li filter za zrak čist.
- Ako je svječica zaprljana, očistite je i uvjerite se da razmak elektroda ispravan, vidite *Tehnički podaci na strani 35*. (Sl. 51)
- Zamijenite svječicu ako je to potrebno.

## Pregled svrdla i šipke strugača

1. Prije svakog korištenja pregledajte jesu li svrdla i šipka strugača istrošeni.

2. Ako je ivica šipke strugača istrošena, preokrenite šipku strugača. Ako je šipka strugača na obje ivice oštećena ili istrošena, zamijenite je.
3. Ako su ivice svrdla istrošene, obratite se ovlaštenom servisnom centru kako biste ih zamijenili.

## Podešavanje štitnika motora

Štitnici motora sprečavaju oštećenja donje strane bacača snijega. Podesite štitnike motora (A) kad je sigurnosna matica (B) otpuštena ili kad štitnik motora nije na pravilnoj udaljenosti od tla. Podešavanje nije potrebno kod standardne instalacije.

1. Olabavite sigurnosnu maticu (B) koristeći viljuškasti ključ od 13 mm (½ inča).
2. Pomjerite štitnike motora (A) gore ili dolje.
  - a) Na ravnim površinama postavite udaljenost između šipke strugača i tla na 5-6 mm (0,2-0,25 inča).
  - b) Na neravnim površinama postavite štitnike motora (A) u položaj u kojem je šipka strugača iznad najviše tačke tla.



**UPOZORENJE:** Pazite da šljunak i kamenje ne dospiju u proizvod. Objekti koji se izbacuju velikom brzinom mogu izazvati povrede.

3. Pritegnite sigurnosnu maticu (B). (Sl. 52)

## Zamjena smičnog klina

Smični klin štiti proizvod od oštećenja. On se lomi ako strani predmet dospije među pokretne dijelove.

1. Ako se smični klin polomi, zaustavite rad motora.
2. Postavite novi smični klin (A) i novu pričvrсну oprugu (B). (Sl. 53)

## Pregled guma

- Pazite da do guma ne dospiju gorivo, ulje i hemikalije kako bi spriječili oštećivanje gumenog materijala.
- Gume držite podalje od panjeva, kamenja, utora, oštrih predmeta i drugih predmeta koji mogu izazvati oštećenja guma.
- Održavajte pravilan pritisak u gumama, pogledajte *Tehnički podaci na strani 35*.

## Čišćenje začepljenog deflektora otvora za izbacivanje

Nemojte čistiti začepljeni deflektor otvora za izbacivanje prije nego što se obave sljedeće radnje.

1. Otpustite uključivanje svrdla i uključivanje pogona u isto vrijeme.
2. Pričekajte 10 sekundi kako biste bili sigurni da su se svrdla zaustavila.
3. Zaustavite proizvod.

4. Koristite alate za čišćenje (dužine najmanje 37 cm (15 inča) koji su priloženi uz neke model) kako biste uklonili začepljenje.



**UPOZORENJE:** Ruke ne stavljajte u deflektor otvora za izbacivanje ili unutar kašike sa svrdlima.

## Čišćenje proizvoda

- Očistite plastične dijelove čistom i suhom tkaninom.
- Nemojte koristiti visokotlačni perač za čišćenje proizvoda.
- Nikad nemojte motor direktno polijevati motor.
- Lišće, travu i prljavštinu uklonite četkom.

## Rješavanje problema

### Rješavanje problema

Problem	Mogući uzrok	Rješenje
Motor se ne pokreće	Zaštitni ključ za paljenje nije umetnut.	Umetnite zaštitni ključ za paljenje.
	U proizvodu nema goriva.	Rezervoar za gorivo napunite svježim, čistim benzinom.
	Ključ za uključivanje/isključivanje je u isključenom položaju (OFF).	Pomaknite ključ za uključivanje/isključivanje u uključeni položaj (ON).
	Čok je u zatvorenom (CLOSE) položaju (OFF).	Pomaknite čok u uključeni (ON), puni otvoreni položaj (FULL, OPEN).
	Pumpica za gorivo nije pritisnuta.	Pritisnite pumpicu za gorivo.
	Motor je preplavljen.	Prije ponovnog pokretanja pričekajte nekoliko minuta, NEMOJTE puniti gorivom.  Ponovo pokrenite motor uz puni gas i čok u isključenom (OFF), zatvorenom (CLOSE) položaju.
	Kabl svjećeice nije povezan.	Povežite kabl sa svjećicom.
	Svjećica je neispravna.	Zamijenite svjećicu.
	U gorivu ima vode ili je prestaro.	Ispraznite rezervoar za gorivo i karburator. Rezervoar za gorivo napunite svježim, čistim benzinom.
	U vodu za gorivo ima pare.	Provjerite je li cijeli vod za gorivo ispod izlaza iz rezervoara za gorivo. Vod za gorivo od rezervoara za gorivo do karburatora treba biti usmjeren prema dolje.
	Drugi uzroci.	Pažljivo pregledajte postupke pokretanja u ovom priručniku.
	Sklopka za gorivo (ako je ugrađena) je u zatvorenom položaju CLOSE (OFF (ISKLJUČENO)).	Okrenite sklopku za gorivo u otvoreni položaj OPEN (ON (UKLJUČENO)).
Gas je u položaju STOP.	Pomaknite gas u brzi položaj FAST.	



<b>Problem</b>	<b>Mogući uzrok</b>	<b>Rješenje</b>
Smanjena snaga	Kabl svjećeice nije povezan.	Povežite kabl sa svjećicom.
	Proizvod izbacuje previše snijega.	Smanjite brzinu i širinu zahvata.
	Čep rezervoara za gorivo je prekriven ledom i snijegom.	Uklonite led i snijeg s čepa rezervoara za gorivo i oko njega.
	Prigušivač je prljav ili neprohodan.	Očistite ili zamijenite prigušivač.
	Neodgovarajuća dužina kabla.	Podesite kabl.
	Prigušivač je začepljen.	Provjerite je li motor hladan. Odstranite začepljenje.
	Ulaz zraka karburatora je blokiran.	Provjerite je li motor hladan. Odstranite začepljenje.
Motor radi u praznom pogonu li otežano	Čok je u uključenom položaju ON (FULL, OPEN (PUNI, OTVOREN)).	Postavite čok u isključeni položaj OFF (CLOSE (ZATVORENO)).
	Vod za gorivo je blokiran.	Očistite vod za gorivo.
	U gorivu ima vode ili je prestaro.	Ispraznite rezervoar za gorivo i karburator. Rezervoar za gorivo napunite svježim, čistim benzinom.
	Potrebno je zamijeniti karburator.	Obratite se ovlaštenom servisnom centru.
	Remen je rastegnut.	Zamijenite klinasti remen svrdla.
Prejake vibracije / Pomjeranje ručice	Neki dijelovi nisu pričvršćeni. Svrdla su oštećena.	Pritegnite sve pričvršne elemente. Zamijenite oštećene dijelove. Ako se vibracije opet pojave, obratite se ovlaštenom servisnom centru.
	Ručke nisu pravilno postavljene.	Provjerite jesu li ručke učvršćene.
	Matice poluge za podešavanje nisu zategnute.	Zatežite matice dok ne osigurate ručku.
Povratna ručka za pokretanje se teško povlači	Povratna ručka za pokretanje je zamrznuta.	Polako iz pokretača izvucite što više užeta i otpustite povratnu ručku za pokretanje. Ako se motor ne pokrene, ponovite postupak ili upotrijebite električni pokretač.
	Uže zapinje za druge komponente.	Povratno uže ne smije dodirivati žice ili crijeva.

Problem	Mogući uzrok	Rješenje
Gubitak pogona za vožnju/smanjenje brzine vožnje	Remen proklizava.	Podesite kabl. Podesite remen.
	Remen je istrošen.	Provjerite / zamijenite remen.
Mašina ne izbacuje snijeg ili izbacuje jako sporo	Remen je pao s remenice.	Provjerite / ponovo postavite remen.
	Deflektor usmjerivača je začepljen.	Očistite deflektor usmjerivača.
	Svrdla su blokirana stranim predmetima.	Uklonite ostatke ili strani predmet sa svrdla.
	Smični klin je polomljen.	Zamijenite polomljeni smični klin.
	Previše nakupljenog snijega i leda između komponenata gusjenica.	Uklonite nakupljeni snijeg i led između komponenata gusjenica.
	Istrošen je zupčanik tarnog prenosa.	Obratite se ovlaštenom servisnom centru.
	Svrdlo se ne okreće nakon otpuštanja stiska	Pogonski remen nije poravnat.
Deflektor otvora za izbacivanje nije poravnat.		Podesite deflektor otvora za izbacivanje.
Svjetla nisu uključena (ako su ugrađena)	Motor nije u pogonu.	Pokrenite motor.
	Spoj žice je labav.	Provjerite priključke žica na motoru i svjetlima.
	LED indikator je pregorio.	Zamijenite modul s LED indikatorom. LED diode nije moguće pojedinačno zamijeniti.
Usmjerivač žlijeba se teško pokreće	U mehanizmu usmjerivača žlijeba ima zaostalog materijala.	Očistite unutrašnje dijelove mehanizma usmjerivača žlijeba.
	Kablovi su izvijeni ili oštećeni.	Ispravite kablove. Zamijenite oštećene kablove.
Proizvod skreće na jednu stranu	Pritisak u gumama nije jednak.	Podesite pritisak u gumama i napunite gumu.
	Proizvod se pogoni samo jednim točkom.	Pregledajte pričvrсни klin gume.
	Neravnomjerno podešene sanke.	Podesite štitnike motora i sanke.
	Neravnomjerno podešeni štitnici motora.	Podesite štitnike motora i sanke.

## Transport, skladištenje i odbacivanje

### Transport i skladištenje

- Za skladištenje i transport proizvoda i goriva, vodite računa da nema curenja ili isparavanja. Na primjer, svjeće ili otvoreni plamen iz električnih uređaja ili bojlera mogu izazvati požar.
- Uvijek koristite odobrene posude za skladištenje i transport goriva.
- Prije dugotrajnog skladištenja proizvoda ispraznite rezervoar za gorivo.

- Ako posuda za gorivo karburatora ima čep za ispuštanje, ispraznite gorivo iz karburatora prije dugog skladištenja proizvoda.
- Prilikom transporta pričvrstite proizvod da spriječite oštećenje i nezgode.
- Proizvod držite u zaključanom području kako biste spriječili pristup djeci ili osobama bez odobrenja.
- Proizvod čuvajte na suhom i mjestu gdje nema mraza.

## Odlaganje

- Pridržavajte se lokalnih zahtjeva i važećih propisa.
- Sve hemikalije, npr. motorno ulje ili gorivo, odložite u servisni centar ili na odgovarajuće mjesto za odlaganje.

- Proizvod odložite na odobrenoj lokaciji za odlaganje ili ga pošaljite kompaniji Husqvarna radi odlaganja.

## Tehnički podaci

### Tehnički podaci

	ST 124
<b>Dimenzije</b>	
Težina s praznim rezervoarima, kg	76
Maks. radni pritisak u gumama, PSI	20
Visina ulaza, cm	53,3
Radna širina, cm	61
<b>Motor</b>	
Brend	Husqvarna
Nazivna izlazna snaga motora, kW	4,3
Zapremina, ccm	212
Vrsta goriva	Obično bezolovno (maksimalno 10 % etanola)
Zapremina goriva, gal / l	0,58 / 2,2
Vrsta ulja (API SJ-SN)	SAE 5W30 (ispod 0 °C (32 °F))
Zapremina ulja, tečna unca / l	20 / 0,6
<b>Električni sistem</b>	
Svječića	F7RTC
Zazor elektroda svječiće (inča / mm)	0,027–0,031 / 0,7–0,8
<b>Emisija buke<sup>10</sup></b>	
Nivo jačine zvuka mjeren u dB (A)	100
Nivo jačine zvuka, garantirani L <sub>WA</sub> dB (A)	102
<b>Nivoi jačine zvuka<sup>11</sup></b>	
Nivo pritiska zvuka na uhu operatera, izmjereno L <sub>PA</sub> dB(A)	86
<b>Nivoi vibracija, a<sub>hveq</sub><sup>12</sup></b>	

<sup>10</sup> Emisije buke u okoliš izmjerene kao jačina zvuka (L<sub>WA</sub>) u skladu s Direktivama EZ 2000/14/EC i 2005/88/EC. Zabilježeni podaci za emisije buke uključuju tipično statističko raspršenje (standardno odstupanje) od 1,5 dB(A). Odstupanje = 1,5 dB(A)

<sup>11</sup> Nivo pritiska zvuka u skladu sa standardom EN ISO 11201. Navedeni podaci za nivo pritiska zvuka uključuju tipično statističko raspršenje (standardno odstupanje) od 1,5 dB(A). Odstupanje = 1,5 dB(A)

<sup>12</sup> Nivo vibracija u skladu sa standardom ISO 8437-4, Aneks B. Odstupanje = 1,5 m/s<sup>2</sup>

	<b>ST 124</b>
Nivo vibracija na ručki, lijevo / desno	4,15 / 4,08

# Izjava EK o usklađenosti

## SADRŽAJ DEKLARACIJE EC O USKLAĐENOSTI

Mi, Husqvarna, SE-561 82 Huskvarna, ŠVEDSKA, izjavljujemo pod isključivom odgovornošću kako je prikazani proizvod:

Opis	Bacač snijega
Brend	Husqvarna
Platforma / tip / model	ST 124
Serijski broj	Serijski broj s datumom 2020 i kasnije

u potpunosti su u skladu sa sljedećim EU direktivama i propisima:

Direktiva/propis	Opis
2006/42/EC	„koja se odnosi na mašine“
2014/30/EU	„koja se odnosi na elektromagnetsku kompatibilnost“
2000/14/EC; 2005/88/EC	„koja se odnosi na vanjsku buku“
2011/65/EU	“o ograničenju upotrebe određenih opasnih supstanci”

Harmonizirani standardi i/ili tehničke specifikacije koje su primijenjene su kako slijedi: EN ISO 12100:2010, EN ISO 14982:2009, ISO 8437-1:2019, ISO 8437-2:2019, ISO 8437-4:2019, ISO 3744:1995, EN 1032:2003+A1:2008, EN 50581:2012

U skladu s direktivom 2000/14/EC+2005/88/EC, Aneks V, objavljene vrijednosti zvuka su navedene u odjeljku za tehničke podatke ovog priručnika i u potpisanoj Deklaraciji EC o usklađenosti.

Isporučeni bacač snijega odgovara ispitanom primjerku.

U ime kompanije Husqvarna AB, SE-561 82 Huskvarna, ŠVEDSKA, 07.02.2020.



Claes Losdal

Osoba odgovorna za prikupljanje tehničkih spisa utvrđenih unutar EU

---

## Съдържание

---

Въведение.....	38	Отстраняване на проблеми.....	50
Безопасност.....	39	Транспортиране, съхранение и изхвърляне.....	52
Монтиране.....	44	Технически характеристики.....	53
Експлоатация.....	45	Декларация за съответствие на ЕО.....	55
Техническо обслужване.....	47		

---

## Въведение

---

### Общ преглед на продукта

(Фиг. 1)

1. Задействане на шнека
2. Лост на управление на оборотите на задвижването
3. Разпределително табло
4. Кабел на шнека
5. Орган за управление на роторната глава на улея
6. Дефлектор на улея
7. Инструмент за почистване
8. Картер на шнека
9. Шнекове
10. Плъзгаща се плоча
11. Гума
12. Пълнене на масло
13. Двигател
14. Ниска ръкохватка
15. Лост за управление на скоростта на движение
16. Задвижващ кабел
17. Възвратна дръжка на стартера
18. Включване на движението
19. Ръкохватки
20. Подкачваща помпа
21. Дросел
22. Превключвател за гориво
23. Ключ вкл./изкл.
24. Инструкция за експлоатация

### Описание на продукта

Продуктът е снегорин, който се използва за отстраняване на сняг от земната повърхност.

### Предназначение

Продуктът може да се използва за отстраняване на сняг от полета, пътища, пътеки и алеи. Да не се използва при наклони по-големи от 15°. Продуктът не трябва да се използва в райони с много отпадъци, замърсяване и стърчащи камъни.

### Symbols on the product

**Забележка:** If the decals on the product are damaged, contact the distributor to replace them.

---

- (Фиг. 2) Warning.
- (Фиг. 3) Read the operator's manual.
- (Фиг. 4)
- (Фиг. 5) Hot surface.
- (Фиг. 6) Risk of fire.
- (Фиг. 7) Choke.
- (Фиг. 8) Pull starter rope handle.
- (Фиг. 9) Do not breathe in the exhaust fumes from the engine.
- (Фиг. 10) Do not put any part of the body into the chute deflector or the auger housing when the augers rotate.
- (Фиг. 11) Stop the engine before you remove snow from the chute deflector. Use the clean-out tool to remove snow, do not do it by hand.
- (Фиг. 12)
- (Фиг. 11) Keep hands away from the chute deflector.
- (Фиг. 13) Objects can be ejected from the product.
- (Фиг. 14) Keep bystanders away from the product when operating.
- (Фиг. 15) Remove key before maintenance.
- (Фиг. 16) Push in the on/off key to the RUN position.
- (Фиг. 17) Turn the fuel switch to the ON position.
- (Фиг. 18) Push the primer.
- (Фиг. 19) Risk of falling.

- (Фиг. 20) Move slowly rearward.
- (Фиг. 21) Use approved protective gloves.
- (Фиг. 22) Use a protective helmet. Use approved hearing protection. Use approved eye protection.
- (Фиг. 23) Noise emissions to the environment according to European Directive 2000/14/EC and New South Wales legislation "Protection of the Environment Operations (Noise Control) Regulation 2017". Noise emission data can be found on the machine label and in the Technical data chapter.
- (Фиг. 24) European machinery directive for safety.

**Забележка:** Other symbols/decals on the product refer to certification requirements for some markets.

## Емисии Euro V



**ПРЕДУПРЕЖДЕНИЕ:** Намесата в двигателя прави невалидно ЕС одобрението на тип на този продукт.

## Безопасност

### Дефиниции за безопасност

Дефинициите по-долу предоставят нивото на сериозност за всяка една предупредителна дума.



**ПРЕДУПРЕЖДЕНИЕ:** Нараняване на лица.



**ВНИМАНИЕ:** Повреда на продукта.

**Забележка:** Тази информация прави продукта по-лесен за използване.

### Практики на безопасна работа за пешеходно управлявани снегорини

#### Общо

Тази машина може да доведе до ампутиране на ръка или крак и да изхвърля предмети. Неспазването на следните инструкции за безопасност може да доведе до сериозно нараняване.

#### Обучение

- Преди работа с тази машина прочетете, разберете и следвайте всички инструкции върху машината и в ръководството(ата). Запознайте се обстойно с органите за управление и правилната употреба на машината. Знайте как да спрете

## Производител

Husqvarna AB

Drottninggatan 2, SE-561 82 Huskvarna

## Отговорност за продукта

Както е посочено в законите за отговорност за вреди, причинени от стоки, ние не носим отговорност за щети, причинени от нашия продукт, ако:

- продуктът е неправилно ремонтиран.
- продуктът е ремонтиран с части, които не са от производителя или не са одобрени от производителя.
- продуктът има принадлежност, която не е от производителя или не е одобрена от производителя.
- продуктът не е ремонтиран в одобрен сервизен център или от одобрен орган.

машината и бързо да изключите органите за управление.

- Никога не позволявайте на деца да работят с тази машина. Никога не позволявайте на възрастни да работят с машината без подходящи инструкции.
- Работете в зона, която е далеч от всички хора, особено от малки деца.
- Бъдете внимателни, за да не се подхлъзнете или паднете, особено при работа с машината на заден ход.

#### Подготовка

- Проверете внимателно зоната, в която ще се използва машината, и отстранете всички изтривалки за крака, шейни, дъски, проводници и други чужди предмети.
- Преди да запалите двигателя (мотора), изключете всички съединители и преминайте на неутрална предавка.
- Не работете с машината без подходящи зимни дрехи. Избягвайте широки дрехи, които могат да се закачат на движещите се части. Носете обувки, които подобряват опората върху хлъзгави повърхности.
- Винаги носете предпазни очила или защитни средства за очите по време на работа или при извършване на настройка или ремонт, за да предпазите очите си от чужди тела, които могат да бъдат изхвърлени от машината.
- С горивото трябва да се борави внимателно; то е много лесно запалимо.

- Използвайте одобрен резервоар за гориво.
- Не доливайте гориво при работещ или горещ двигател.
- Пълнете резервоара за гориво на открито с изключително внимание. Никога не зареждайте резервоара за гориво на закрито.
- Никога не пълнете резервоари за гориво вътре в превозното средство, в каросерия на автомобил или в ремарке, които са с пластмасово покритие. Винаги поставяйте резервоарите на земята – на разстояние от превозното средство, преди да започнете да ги пълните.
- Когато е практично, изваждайте бензиновото оборудване от автомобила или ремаркетото и го зареждайте с гориво на земята. Ако това не е възможно, зареждайте такова оборудване върху ремарке посредством преносим контейнер, а не с маркуч от бензинова колонка.
- Дръжте накрайника плътно до ръба на резервоара за гориво или до отвора на контейнера през цялото време на зареждането, докато зареждането с гориво не приключи. Не използвайте устройство за заключване на накрайника в отворено положение.
- Поставете обратно и затегнете здраво капачката на бензина, избършете разлива на гориво.
- Ако по дрехите Ви има разлято гориво, сменете ги незабавно.
- Използвайте удължителни шнурове и контакти, посочени от производителя, за всички машини с пускови електрически мотори.
- Регулирайте височината на картера на колектора при почистване на чакълън път или трошено-каменна настилка.
- Никога не се опитвайте да извършвате регулировки, докато двигателят (моторът) работи (освен когато това е специално препоръчано от производителя).
- Ако машината започне да вибрира необичайно, спрете двигателя (мотора) и незабавно потърсете причината. Вибрациите обикновено са предупредение за неуправителност.
- Спирайте двигателя (мотора) всеки път, когато напуснете работното си положение, преди да освободите запущане в картера на колектора/ротора или разтоварителния улей и при извършване на ремонти, регулировки или проверки.
- Не оставяйте двигателя да работи на закрито, освен при стартиране на двигателя и при придвижване на снегорина към сградата или извън нея. Отворете въздушните врати; отработените газове са опасни.
- Бъдете изключително внимателни, когато работите по наклони.
- Никога не работете с машината без поставени подходящи предпазители и други предпазни приспособления за безопасност.
- Никога не насочвайте разтоварването към хора или зони, където можете да нанесете материални щети. Дръжте настрана деца и странични наблюдатели.
- Не претоварвайте машината, като се опитвате да изчистите снега с твърде висока скорост.
- Никога не работете с машината с висока транспортна скорост върху хлъзгави повърхности. Когато се движите назад, поглеждате назад и бъдете предпазливи.
- Изключете захранването към колектора/ротора, когато машината се транспортира или не се използва.
- Използвайте само приставки и аксесоари, одобрени от производителя на машината (като тежести на колелата, противотежести или кабинни).
- Никога не работете с машината без добра видимост или светлина. Винаги бъдете сигурни, че имате здрава опора за стъпване и дръжте здраво дръжките. Ходете, не тичайте.
- Не докосвайте горещия двигател или ауслуха.

## Експлоатация

- Не поставяйте ръцете или краката си в близост до или под въртящите се части. Стойте на разстояние от отвора за разтоварване през цялото време.
- Бъдете изключително внимателни, когато работите върху или пресичате чакълени пътища или алеи. Бъдете нащрек за скрити опасности или когато работите близо до обществени пътища.
- Когато ударите чужд предмет, спрете двигателя (мотора), отстранете проводника от запалителната свещ, разкачете шнура на електрическите мотори, внимателно проверете снегорина за евентуални повреди и отстранете повредите, преди отново да стартирате и да работите със снегорина.

## Почистване на задръстен разтоварителен улей

- Контактът на ръцете с въртящия се ротор вътре в разтоварителния улей е най-честата причина за наранявания, свързани със снегорини. Никога не използвайте ръката си, за да почистите разтоварителния улей.
- За да почистите улея:
  1. ИЗГАСЕТЕ ДВИГАТЕЛЯ!
  2. Изчакайте 10 s, за да сте сигурни, че ножовете на ротора са спрели да се въртят.
  3. Винаги използвайте инструмента за почистване, а не ръцете си.

## Поддръжка и съхранение

- Проверявайте на чести интервали дали срезните болтове и другите болтове са добре затегнати, за



- да сте сигурни, че оборудването е в безопасно работно състояние.
- Никога не съхранявайте машината с гориво в резервоара за гориво вътре в сграда, където има източници на запалване, като нагреватели за гореща вода, радиатори или сушилни за дрехи. Преди съхранение в каквото и да било затворено място оставете двигателя да се охлади.
  - Винаги правете справка с ръководството с инструкции за важни подробности, ако снегоринът трябва да се съхранява за по-дълъг период.
  - Поддържайте или сменяйте етикетите за безопасност, ако е необходимо.
  - Оставете машината да работи няколко минути след почистване на сняг, за да предотвратите замръзване на колектора/ротора.
  - Когато почиствате, ремонтирате или проверявате снегорина, спрете двигателя и се уверете, че колекторът/роторът и всички движещи се части са спрели. Разкачете проводника на запалителната свещ и го дръжте на разстояние от свещта, за да предотвратите нечие случайно стартиране на двигателя.
  - Разкачете проводника на запалителната свещ преди сглобяване, складиране или техническо обслужване на продукта.
  - Не използвайте продукта, ако е променен спрямо първоначалните му спецификации. Не сменяйте някоя част на продукта без одобрение от производителя. Използвайте само части, които са одобрени от производителя. Неправилното техническо обслужване е възможно да доведе до нараняване или смърт.
  - Не вдишвайте изпарения от двигателя. Продължителното вдишване на отработените газове от двигателя е опасно за здравето.
  - Не стартирайте продукта на закрито или близо до запалими материали. Отработените газове са горещи и биха могли да съдържат искри, които да предизвикат пожар. Недостатъчният въздушен поток може да доведе до нараняване или смърт поради задушаване или въглероден окис.
  - Когато използвате този продукт, двигателят създава електромагнитно поле. Електромагнитното поле може да предизвика повреда на медицински импланти. Говорете с Вашия лекар или с производителя на медицинския имплант, преди да започнете работа с продукта.

## Общи инструкции за безопасност

- Използвайте правилно продукта. Неправилната употреба може да доведе до нараняване или смърт. Използвайте продукта само за задачите, описани в настоящето ръководство. Не използвайте продукта за други задачи.
- Спазвайте инструкциите в тази инструкция за експлоатация. Спазвайте символите за безопасност и инструкциите за безопасност. Ако операторът не спазва инструкциите и символите, резултатът може да е нараняване, повреда или смърт.
- Не изхвърляйте това ръководство. Следвайте инструкциите за монтиране, използване и поддръжка на продукта в добро състояние. Следвайте инструкциите за правилен монтаж на приспособленията и принадлежностите. Използвайте само одобрени приспособления и принадлежности.
- Не използвайте повреден продукт. Спазвайте графика за техническо обслужване. Извършвайте само дейностите по техническо обслужване, за които ще намерите инструкция в това ръководство. Всички други дейности по техническото обслужване трябва да бъдат извършени от одобрен сервизен център.
- Това ръководство не може да включва всички ситуации, които биха могли да възникнат при използване на продукта. Бъдете внимателни и действайте разумно. Не работете с продукта и не извършвайте техническо обслужване, ако не сте сигурни относно ситуацията. За да получите информация, говорете с експерт по продукта, Вашия дистрибутор, сервиз или с одобрен сервизен център.
- Не позволявайте на деца да работят с продукта. Не позволявайте на лице, което не е запознато с инструкциите, да работи с продукта.
- Уверете се, че винаги наблюдавате лица с намален физически или умствен капацитет, които използват продукта. През цялото време трябва да присъства отговорен възрастен.
- Заклучете продукта в зона, до която нямат достъп деца и неодобрени лица.
- Възможно е от продукта да изхвърчат предмети и да причинят наранявания. Спазвайте инструкциите за безопасност, за да намалите опасността от нараняване или смърт.
- Не се отдалечавайте от продукта, когато двигателят работи.
- Операторът на продукта е отговорен при възникването на инцидент.
- Преди и докато вървите назад се оглеждайте назад и надолу за малки деца, животни или други опасности, които могат да са причина да паднете.
- Уверете се, че частите не са повредени, преди да използвате продукта.
- Уверете се, че сте на разстояние от най-малко 15 m (50 ft) от други лица или животни, преди да използвате продукта. Уверете се, че лицето в близост до Вас е наясно, че ще използвате продукта.
- Направете справка с националните или местните закони. Те биха могли да предотвратят или ограничат работата на продукта при определени условия.

## Обучение

- Преди работа с тази машина прочетете, разберете и следвайте всички инструкции върху машината и в ръководството(ата). Запознайте се добре с органите за управление и правилното използване на оборудването. Знайте как да спрете машината и бързо да изключите органите за управление.
- Никога не позволявайте на деца да работят с оборудването. Никога не позволявайте на възрастни да работят с оборудването без подходящи инструкции.
- Работете в зона, която е далеч от всички хора, особено от малки деца.
- Бъдете внимателни, за да не се подхлъзнете или паднете, особено при работа със снегорина на заден ход.

## Инструкции за безопасност по време на работа

- Не поставяйте ръцете или краката си в близост до или под въртящите се части. Стойте на разстояние от отвора за разтоварване през цялото време.
- Бъдете изключително предпазливи при работа или пресичане на чакълени алеи, пътеки или пътища. Внимавайте за скрити опасности или трафик.
- След удар с чуждо тяло,спрете двигателя (мотора), премахнете проводника от запалителната свещ, изключете шнура от електродвигателите, надлежно проверете продукта за някакви повреди и поправете повредите, преди отново да пуснете и боравите с продукта.
- Ако продуктът започне да вибрира по необичаен начин, спрете двигателя (мотора) и незабавно проверете каква е причината. Вибрациите обикновено са предупреждение за неизправност.
- Спирайте двигателя (мотора) винаги когато напускате работното си място, преди да отпушите картера на шнека или дефлектора на улея, както и при извършване на ремонти, настройки или прегледи.
- Когато почиствате, ремонтирате или преглеждате продукта, спрете двигателя и се уверете, че шнековете и всички движещи се части са спрели. Разкачете проводника на запалителната свещ и го дръжте на разстояние от свещта, за да предотвратите нечие случайно стартиране на двигателя.
- Не оставяйте двигателя да работи на закрито, с изключение на случаите, когато го палите и при вкарване и изкарване на продукта от сградата. Отворете външните врати; отработените газове са опасни.
- Бъдете изключително внимателни, когато работите по наклони.

- Никога не работете с продукта без съответните предпазители и другите приспособления за безопасност да са на място и в изправност.
- Никога не насочвайте дефлектора на улея към хора или зони, където могат да бъдат нанесени материални щети. Дръжте настрана деца и странични наблюдатели.
- Не претоварвайте продукта, като се опитвате да почиствате снега прекалено бързо.
- Не работете с продукта на висока транспортна скорост по хлъзгави повърхности. Когато се движите назад, поглеждайте назад и бъдете предпазливи.
- Когато транспортирате продукта или не я използвате, изключете задвижването на шнековете.
- Използвайте само приспособления и принадлежности, одобрени от производителя на продукта (като тежести на колелата, противотежести или кабинни).
- Не работете с продукта без добра видимост и осветление. Винаги бъдете сигурни, че имате здрава опора за стъпване и дръжте здраво дръжките. Ходете, не тичайте.
- Не докосвайте горещия двигател или ауспуха.

## Безопасност на работната област

- Внимателно разгледайте участъка, в който ще се използва оборудването, и премахнете всички изтривалки за крака, шейни, дъски, кабели и други чужди тела.
- Преди да запалите двигателя (мотора), изключете всички съединители и преминете на неутрална предавка.
- Не работете с продукта без подходящо зимно облекло. Избягвайте широки дрехи, които могат да се закачат на движещите се части. Носете обувки, които подобряват опората върху хлъзгави повърхности.
- С горивото трябва да се борави внимателно; то е много лесно запалимо.
  - Използвайте одобрен резервоар за гориво.
  - Не доливайте гориво при работещ или горещ двигател.
  - Пълнете резервоара за гориво на открито с изключително внимание. Никога не зареждайте резервоара за гориво на закрито.
  - Никога не пълнете резервоари за гориво вътре в превозното средство, в каросерия на автомобил или в ремарке, които са с пластмасово покритие. Винаги поставяйте резервоарите на земята – на разстояние от превозното средство, преди да започнете да ги пълните.
  - Когато е практично, изваждайте бензиновото оборудване от автомобила или ремаркетото и го зареждайте с гориво на земята. Ако това не е възможно, зареждайте такова оборудване върху ремарке посредством преносим

контейнер, а не с маркуч от бензинова колонка.

- Дръжте накрайника плътно до ръба на резервоара за гориво или до отвора на контейнера през цялото време на зареждането, докато зареждането с гориво не приключи. Не използвайте устройство за заключване на накрайника в отворено положение.
- Поставете обратно и затегнете здраво капачката на бензина, избършете разлива на гориво.
- Ако по дрехите Ви има разлято гориво, сменете ги незабавно.
- Използвайте разклонители и контакти, определени от производителя, за всички единици с електрически двигатели или електрически стартерни двигатели.
- За да почистите повърхност от чакъл или натрошен камък, регулирайте височината на картера на шнека.
- Не правете опит за регулиране, докато двигателят (моторът) работи (с изключение на случаите, специално препоръчани от производителя).
- Винаги носете предпазни очила или защитни средства за очите по време на работа или при извършване на настройка или ремонт, за да предпазите очите си от чужди тела, които могат да бъдат изхвърлени от машината.

## Лични предпазни средства

Винаги използвайте правилните лични предпазни средства, когато работите с продукта. Това включва, като минимум, здрави обувки, защитни средства за очите и антифони. Личните предпазни средства не премахват опасността от нараняване, но намаляват степента на нараняванията в случай на инцидент.

- Винаги носете защитни очила или защитни средства за очите, докато работите с продукта или извършвате техническо обслужване или ремонт.
- Винаги носете подходящо зимно облекло, когато работите с продукта.
- Когато работите с продукта, винаги използвайте усилените противоплъзгащи ботуши с добра опора на глезена.
- Не носете широки дрехи, които могат да се закачат на движещите се части.
- Ако е необходимо, използвайте одобрени защитни ръкавици. Например при поставяне, проверка или почистване на ножа.
- Винаги използвайте одобрени антифони, когато работите с продукта. Продължителният шум може да доведе до загуба на слуха, причинена от шум.

## Приспособления за безопасност на машината

- Уверете се, че редовно извършвате техническо обслужване на продукта.
  - Срокът на експлоатация на продукта се увеличава.
  - Рискът от злополука намалява.

Позволете на одобрен дилър или одобрен сервизен център да извършва редовна проверка на продукта за корекции или ремонтни дейности.

- Не използвайте продукт с повредени предпазни средства. Ако продуктът е повреден, консултирайте се с одобрен сервизен център.

## Ауспух

Ауспухът е предназначен за максимално намаляване на нивата на шума и за отвеждане на отработените газове настрани от потребителя.

Не използвайте машината, ако ауспухът липсва или е дефектен. Дефектен ауспух увеличава нивото на шума и риска от злополука.



**ПРЕДУПРЕЖДЕНИЕ:** Ауспухът се нагрява много по време и след работа и също при обороти на празен ход. Бъдете внимателни близо до запалими материали и/или газове, за да предотвратите възникването на пожар.

## Безопасност при работа с гориво



**ПРЕДУПРЕЖДЕНИЕ:** Прочетете следващите предупредителни указания, преди да използвате машината.

- Не включвайте продукта, ако върху него има гориво или моторно масло. Отстранете нежеланото гориво/масло и оставете продукта да изсъхне.
- Ако разлеете гориво по дрехите си, сменете ги незабавно.
- Внимавайте да не попадне гориво върху тялото Ви, това може да доведе до телесни увреждания. Ако гориво попадне върху тялото Ви, използвайте сапун и вода, за да го отстраните.
- Не стартирайте продукта, ако от двигателя има теч. Проверявайте редовно двигателя за течове.
- Внимавайте с горивото. Горивото е запалимо, изпаренията са взривоопасни и могат да причинят телесни увреждания или смърт.
- Не вдишвайте горивните изпарения, това може да доведе до телесни увреждания. Уверете се, че има достатъчен въздушен поток.
- Не пушете близо до горивото или двигателя.
- Не поставяйте топли предмети близо до горивото или двигателя.
- Не добавяйте гориво, когато двигателят работи.

- Уверете се, че двигателят е изстинал преди зареждане с гориво.
- Преди зареждане с гориво отворете бавно капачката на резервоара за гориво и освободете внимателно налягането.
- Не добавяйте гориво към двигателя на закрито. Недостатъчният въздушен поток може да доведе до нараняване или смърт поради задушаване или въглероден окис.
- Затегнете капачката на резервоара за гориво докрай. Ако капачката на резервоара за гориво не е затегната, има риск от злополука.
- Преди да включите двигателя, преместете продукта най-малко на 3 m/10 ft от мястото, където сте заредили резервоара.
- Не зареждайте резервоара за гориво догоре. Топлината причинява увеличаване на обема на горивото. Оставете място в горната част на резервоара за гориво.
- Отработените газове от двигателя съдържат въглероден окис – много опасен отровен газ без миризма. Не стартирайте двигателя на закрито или в затворени пространства.
- Преди техническо обслужване на продукта спрете двигателя и изключете запалителния кабел от запалителната свещ.
- Носете защитни ръкавици, когато ще извършвате техническо обслужване на ножовете. Ножовете са много остри и можете лесно да се порежете.
- Аксесоари и промени на продукта, които не са одобрени от производителя, могат да доведат до сериозно нараняване или смърт. Не правете промени по продукта. Винаги използвайте само аксесоари, които са одобрени от производителя.
- Ако техническото обслужване не се изпълнява правилно и редовно, рискът от нараняване и повреда на продукта се увеличава.
- Изпълнявайте техническото обслужване само както е посочено в настоящата инструкция за експлоатация. Всички останали сервизни дейности трябва да се извършват от одобрен сервиз.
- Осигурете редовното обслужване на продукта от одобрен сервиз.
- Заменете повредени, износени или счупени части.

### Предупреждение за химикали



**ПРЕДУПРЕЖДЕНИЕ:** Отработените газове от двигателя на този продукт съдържат химикали, за които в щата Калифорния е известно, че причиняват рак, вродени дефекти и други репродуктивни увреждания. За повече информация отидете на [www.P65Warnings.ca.gov](http://www.P65Warnings.ca.gov).

### Инструкции за безопасност при техническо обслужване



**ПРЕДУПРЕЖДЕНИЕ:** Прочетете следващите предупредителни указания, преди да използвате машината.

## Монтиране



**ПРЕДУПРЕЖДЕНИЕ:** Прочетете и разберете главата за безопасност, преди да монтирате продукта.

5. Монтирайте горната дръжка с разпределителното табло (E) към долната дръжка. (Фиг. 26)

### За да монтирате дефлектора на улея

#### За да монтирате дръжките

1. Отстранете 4-те фланцови болта M8x25 (A) от корпуса.
2. Използвайте 4-те фланцови болта M8x25 (A), 4-те пружинни дистанционни елемента (B) и 4-те плоски дистанционни елемента (C).
3. Монтирайте долната дръжка (D) в 2-та отвора от всяка страна на корпуса. (Фиг. 25)
4. Използвайте 3-те фиксиращи болта M8x50 (A) на дръжката, 3-те дистанционни елемента (B), 3-те захващащи елемента на ръкохватката (C) и 3-те контрагайки (D).

1. Отстранете диска на роторната глава (B) и 6-те шестоъгълни фланцови болта (D) от корпуса.
2. Закрепете диска на роторната глава (B) и дефлектора на улея (A) върху основата на улея, като използвате 3-те ограничителя (C).
3. Използвайте 6-те шестоъгълни фланцови болта (D) и 6-те контрагайки (E), за да фиксирате ограничителите (C). (Фиг. 27)

## За да монтирате роторната глава на улея

1. Монтирайте предния край на роторната глава на улея.
2. Монтирайте пластмасовата втулка (B) към предния край на роторната глава на улея.
3. Закрепете роторната глава на улея с 1 плосък дистанционен елемент (A) и 1 шплент (C). (Фиг. 28)
4. Монтирайте задния край на роторната глава на улея.
5. Използвайте 1 контрагайка M8 (A), 1 пластмасов захващащ елемент на ръкохватка за фиксиране (B), 2 извити дистанционни елемента (C) и 1 винтов хоризонтален елемент (D) за монтиране на роторната глава на улея.
6. Използвайте 1 шестстенна гайка M8 (E), за да фиксирате роторната глава на улея (F) в отворите на дръжката. (Фиг. 29)

## За да монтирате лоста за управление на скоростта на движение

1. Монтирайте дългия огънат край на лоста за управление на скоростта на движение (A) към разпределителното табло и го закрепете с 1 пружина на манизелата (B), 1 плосък дистанционен елемент (C) и 1 щифт (D). (Фиг. 30)

2. Издърпайте нагоре свързващата планка за превключване (B) и монтирайте късия огънат край на лоста за управление на скоростта на движение (A). Закрепете лоста за управление на скоростта на движение (A) с 1 плосък дистанционен елемент (C) и 1 щифт (D). (Фиг. 31)
3. Ако е необходимо, удължете лоста за управление на скоростта на движение. Разхлабете контрагайките на винтовата муфта и завъртете муфата. Затегнете винтовата муфта обратно на първоначалното ѝ място за правилно управление на оборотите. Първоначалното място е отбелязано на резбите. (Фиг. 32)

## За да монтирате шнека и задвижващите кабели

1. Отстранете 2-та винтови болта за кабел (B) от кабелите (D).
2. Закрепете 2-та винтови болта за кабел (B) към отворите на лявата и дясната дръжка (A). (Фиг. 33)
3. Закрепете кабелите (D) към винтовите болтове за кабел (B).
4. Свържете и фиксирайте лявата и дясната винтова вложка на кабела (D) и винтовия болт за кабел (B), докато горната част на месинговата контрагайка (C) се изравни с маркировката на резбите (E).
5. Фиксирайте кабела с месинговата контрагайка (C).

---

## Експлоатация

---



**ПРЕДУПРЕЖДЕНИЕ:** Преди да работите с продукта, прочетете главата за безопасност и инструкциите за работа.

### Преди да стартирате продукта

- В зоната на работа не бива да има лица и животни.
- Извършвайте всекидневно техническо обслужване. Вижте *График за техническо обслужване на страница 47*.
- Уверете се, че кабелът за запалването пасва правилно върху запалителната свещ.
- Ако е необходимо, добавете масло или бензин. Вижте *Пълнене на двигателя с масло на страница 45*.

### Пълнене на двигателя с масло



**ВНИМАНИЕ:** Когато проверявате маслото не въртете мерителната пръчка. Не пълнете над маркировката.



**ВНИМАНИЕ:** Не използвайте бензин с октаново число, по-малко от 90 RON, извън Северна Америка (87 (R + M)/2 в Северна Америка). Това може да повреди продукта.

1. Отстранете капачката за маслото и почистете мерителната пръчка. За местоположението на мерителната пръчка вижте *Общ преглед на продукта на страница 38*.
2. Добавете масло до горната маркировка върху мерителната пръчка. Проверявайте редовно нивото на маслото на мерителната пръчка.
3. Поставете обратно капачката на маслото.

### За наливане на гориво

Ако има наличен, използвайте нискоемисионен/алкалитен бензин. Ако не е наличен бензин с ниски емисии/алкилат, използвайте висококачествен безоловен бензин. Използвайте бензин с октаново число 90 RON извън Северна Америка (87 (R + M)/2 в Северна Америка) или по-високо, и с максимум 10% етанол (E10).

1. Отворете бавно капачката на резервоара за гориво, за да освободите налягането.
2. Заредете бавно резервоара от туба с гориво. Ако разлеете гориво, поийте го с кърпа и оставете горивото, което остане да изсъхне.
3. Почистете областта около капачката на резервоара за гориво.
4. Затегнете капачката на резервоара за гориво докрай. Ако капачката на резервоара за гориво не е затегната, има риск от злополука.
5. Преди да включите двигателя, преместете продукта най-малко на 3 m (10 ft) от мястото, където сте заредили резервоара.

## За да регулирате дефлектора на улея

Посоката, в която трябва да се изхвърля снегът, се управлява от органа за управление на роторната глава на улея, който е монтиран на лявата странична дръжка.

1. Завъртете органа за управление на роторната глава на улея, за да зададете посоката на въртене на изхвърляне на сняг.
2. Завъртете органа за управление на роторната глава на улея по посока на часовниковата стрелка, за да изхвърляте снега надясно.
3. Завъртете органа за управление на роторната глава на улея обратно на часовниковата стрелка, за да изхвърляте снега наляво. (Фиг. 34)
4. Преместете ъгловия дефлектор нагоре или надолу, за да регулирате разстоянието на изхвърляне на снега. (Фиг. 35)

## За стартиране на двигателя

1. Освободете лоста за задвижване. Поставете лоста за управление на скоростта на движение в първото положение.
2. Завъртете прекъсвача на горивото в положение ВКЛ. (Фиг. 36)
3. Завъртете смукача в положение ЗАТВОРЕН. (Фиг. 37)
4. Натиснете ключа вкл./изкл. в положение за РАБОТА. (Фиг. 38)
5. Натиснете подкачващата помпа 1 – 3 пъти, за да стартирате бустерната помпа. Използвайте бустерната помпа за студен старт при ниски температури. (Фиг. 39)
6. Дръпнете възвратната дръжка на стартера. (Фиг. 40)



**ВНИМАНИЕ:** Не освобождавайте възвратната дръжка на стартера бързо. Бавно я върнете в начално положение.

**Забележка:** Ако възвратната дръжка на стартера е замръзнала, бавно издърпайте възможно най-много въже от стартера и освободете възвратната дръжка на стартера. Ако двигателят не стартира, повторете процедурата или използвайте електрическия стартер.

7. Оставете двигателя да работи 30 – 40 секунди на празен ход, преди да започнете да изхвърляте сняг.
8. Когато двигателят е топъл, бавно преместете смукача в положение ОТВОРЕН. (Фиг. 41)

## Стартиране на двигателя, електрическо стартиране



**ПРЕДУПРЕЖДЕНИЕ:** Продуктът има електрически стартер на 230 волта променлив ток. Не използвайте електрическия стартер, ако къщата Ви няма правилно заземена система на 230 волта променлив ток. Може да възникне сериозна телесна повреда или повреда в продукта. Електрическият стартер има трижилен захранващ щепсел и е проектиран за напрежение 230 волта променлив ток в домакинството. Уверете се, че къщата Ви има правилно заземена система на 230 волта променлив ток. Ако не сте сигурни, попитайте лицензиран електротехник.

**Забележка:** Използвайте удължителен шнур, който се препоръчва за употреба на открито, с размер на проводника, не по-малък от 16 AWG (1,5 mm<sup>2</sup>) и не по-дълъг от 50 фута (15 m).

1. Освободете лоста за задвижване. Поставете лоста за управление на скоростта на движение в първото положение.
2. Завъртете прекъсвача на горивото в положение ВКЛ. (Фиг. 36)
3. Завъртете смукача в положение ЗАТВОРЕН. (Фиг. 37)
4. Натиснете ключа вкл./изкл. в положение за РАБОТА. (Фиг. 38)
5. Натиснете подкачващата помпа 1 – 3 пъти, за да стартирате бустерната помпа. Използвайте бустерната помпа за студен старт при ниски температури. (Фиг. 39)
6. Свържете продукта към захранването. (Фиг. 42)
7. Натиснете и задръжте стартерния бутон на блока за управление за 5 секунди. (Фиг. 43)
8. Ако двигателят не стартира, изчакайте 5 секунди, след което натиснете стартерния бутон отново.



**ВНИМАНИЕ:** Не се опитвайте да стартирате двигателя повече от 10 пъти. След 10 опита изчакайте 40 минути, преди да опитате отново.

9. Когато двигателят стартира, разкачете захранващия шнур от продукта.
10. Оставете двигателя да работи 30 – 40 секунди на празен ход, преди да започнете да изхвърляте сняг.
11. Когато двигателят е топъл, бавно преместете смукача в положение ОТВОРЕН. (Фиг. 41)

## За да работите с продукта

1. Притиснете лоста за задвижване на шнека към дръжката, за да се включи шнекът и да започне да изхвърля сняг. (Фиг. 44)
2. Преместете лоста за управление на скоростта на движение наляво, за да задвижите продукта напред. Преместете лоста за управление на скоростта на движение надясно, за да задвижите продукта назад. (Фиг. 45)
3. Задействайте лоста за задвижване с дясната дръжка.
4. Притиснете лоста за задвижване към дръжката, за да включите задвижващите колела. Продуктът се движи напред или назад в зависимост от местоположението на лоста за управление на скоростта на движение. (Фиг. 46)

## Спиране на продукта

**Забележка:** За да изключите двигателя при спешни случаи, издърпайте ключа вкл./изкл.

1. Освободете лоста за задвижване, за да спрете задвижващите колела.
2. Освободете задвижването на шнека, за да изключите шнека и да спрете изхвърлянето на сняг. (Фиг. 47)
3. Завъртете прекръсвача на горивото в положение ИЗКЛ. (Фиг. 48)
4. Издърпайте ключа вкл./изкл. (Фиг. 49)

## За получаване на добър резултат

- Винаги работете с двигателя на пълна газ или почти на пълна газ.
- Винаги избирайте скорост на продукта, която е подходяща за снежната обстановка и регулирайте скоростта с лоста на управление на скоростта на движение. Уверете се, че продуктът изхвърля снега равномерно.
- По-лесно и по-ефективно е да почиствате снега веднага след като е паднал.
- Когато е възможно, изхвърляйте снега по посока на вятъра.
- Върху равни повърхности, като асфалтови пътища, вдигнете плъзгащите плочи 5 – 6 mm (0,2 – 0,25 in) над земята.
- Шината на стъргалката може да се обръща. Когато се износи почти до ръба на картера, обрънете я. Ако е повредена или и двете страни са износени, сменете шината на стъргалката.
- Не насочвайте дефлектора на улея, ако е запушен.
- Ако продуктът не се движи напред поради непредвидени обстоятелства, незабавно изключете задвижването или преместете контактният ключ в положение OFF (ИЗКЛ.).

# Техническо обслужване

## График за техническо обслужване

Поддръжка	Ежедневно	На 20 часа	На 50 часа	На 100 часа
Проверка на това дали всички гайки и винтове са затегнати	X			
Проверка на нивото на моторното масло	X			
Смяна на маслото <sup>13</sup>		X	X	X
Уверете се, че няма течове на гориво или масло	X			

<sup>13</sup> Сменете маслото след първите 20, 50, 100 часа и след това на всеки 100 часа.

Поддръжка	Ежедневно	На 20 часа	На 50 часа	На 100 часа
Отстранете запушване и чуждите тела в шнека	X			
Проверете налягането на гумите <sup>14</sup>			X	
Проверете и сменете запалителната свещ <sup>15</sup>				X

**Забележка:** Не е необходимо да поставят грес или да извършват друго техническо обслужване на предавателната кутия.

### За извършване на обща проверка

- Уверете се, че всички гайки и винтове на продукта са затегнати правилно.

### За проверка на нивото на маслото



**ВНИМАНИЕ:** Твърде ниското ниво на маслото може да доведе до повреда на двигателя. Проверете нивото на маслото, преди да стартирате продукта.

- Позиционирайте машината на равна повърхност.
- Отстранете капачката на резервоара с прикрепена мерителна пръчка.
- Почистете маслото от мерителната пръчка.
- Потопете мерителната пръчка докрай в резервоара за масло, за да получите точна информация за нивото на маслото.
- Извадете мерителната пръчка.
- Вижте колко е нивото на маслото на мерителната пръчка.
- Ако нивото на маслото е ниско, долейте моторно масло и отново проверете нивото му.

### За смяна на моторното масло

- Оставете двигателя да работи няколко минути, за да загрее маслото. Топлото масло тече по-добре и носи повече замърсители.



**ПРЕДУПРЕЖДЕНИЕ:** Моторното масло е горещо. Не допускате контакт на кожата с използвано моторно масло.

- Позиционирайте машината на равна повърхност.

- Оставете двигателя да работи, докато цялото гориво се изчерпи.
- Отстранете контактния ключ.
- Поставете съд под изпускателна пробка за масло.
- Отстранете изпускателната пробка за масло, наклонете продукта назад и източете използваното масло в съда. (Фиг. 50)
- Поставете продукта обратно в работно положение.
- Поставете изпускателната пробка за масло и я затегнете здраво на ръка.
- Напълнете двигателя с масло, вижте *Пълнене на двигателя с масло на страница 45*.

### За проверка на запалителната свещ



**ВНИМАНИЕ:** Използвайте винаги запалителните свещи от препоръчания вид. Използването на запалителна свещ от неправилен тип може да повреди продукта.

- Проверете запалителната свещ, ако двигателят е с понижена мощност, стартира трудно или работи неправомерно при обороти на празен ход.
- За да намалите опасността от попадане на нежелани материали върху електродите на запалителната свещ, следвайте тези инструкции:
  - Проверете дали оборотите на празния ход са правилно регулирани.
  - Уверете се, че видът на горивото е правилен.
  - Уверете се, че въздушният филтър е чист.
- Ако запалителната свещ е замърсена, почистете я и проверете дали разстоянието между електродите е правилно, направете справка с *Технически характеристики на страница 53*. (Фиг. 51)
- Сменете запалителната свещ, ако е необходимо.

<sup>14</sup> Правилното налягане на гумите проверете в раздел "Технически характеристики".

<sup>15</sup> Проверявайте и почиствайте запалителната свещ всяка година преди употреба.



## Проверка на шнековете и шината на стъргалката

1. Преди всяка употреба проверявайте шнековете и шината на стъргалката за износване.
2. Ако ръбът на шината на стъргалката е износен, обърнете я. Ако шината на стъргалката има повреди или е износена от двете страни, сменете я.
3. Ако ръбовете на шнековете са износени, свържете се с упълномощен сервиз и ги сменете.

## Регулиране на плъзгащите се плочи

Плъзгащите се плочи предпазват долната част на снегорина от щети. Регулирайте плъзгащите се плочи (А), когато контрагайката (В) е разхлабена или ако плъзгащата се плоча не е на подходящо разстояние от земята. При нормален монтаж не е необходимо регулиране.

1. Разхлабете контрагайката (В) с ключ 13 mm ( $\frac{1}{2}$  in).
2. Преместете плъзгащите се плочи (А) нагоре или надолу.
  - a) Върху равни повърхности задайте разстоянието между стържещата шина и земята на 5 – 6 mm (0,2 – 0,25 in).
  - b) При груби повърхности поставете плъзгащите се плочи (А) в положение, при което стържещата шина е над повърхност на земята.



**ПРЕДУПРЕЖДЕНИЕ:** Уверете се, че в продукта не навлизат чакъл и камъни. Предмети, които могат да бъдат изхвърлени при висока скорост, могат да причинят наранявания.

3. Затегнете контрагайката (В). (Фиг. 52)

## За да смените срезния щифт

Срезният щифт предпазва продукта от повреда. Той се счупва, ако в движещите се части навлезе чужд предмет.

1. Ако срезният щифт се счупи, спрете двигателя.
2. Закрепете нов срезен щифт (А) и нова фиксираща пружина (В). (Фиг. 53)

## Проверка на гумите

- Пазете гумите чисти от замърсяване с гориво, масло и химикали, за да предотвратите щети.
- Пазете гумите от пънове, камъни, коловози, остри предмети и други предмети, които могат да ги повредят.
- Поддържайте правилното налягане в гумите, вижте *Технически характеристики на страница 53*.

## Почистване на запушен дефлектор на разтоварителния улей

Не отпушвайте дефлектора на разтоварителния улей, преди да извършите следните операции.

1. Освободете едновременно лоста за включване на шнека и лоста за включване на задвижването.
2. Изчакайте 10 секунди, за да се уверите, че шнековете са спрели.
3. Спрете продукта.
4. За да почистите запушването, използвайте инструмент за почистване (най-малко 37 cm (15 in) дълъг, включен към някои модели).



**ПРЕДУПРЕЖДЕНИЕ:** Не поставяйте ръцете си в дефлектора на разтоварителния улей или в кожуха на шнека.

## За почистване на машината

- Почиствайте пластмасовите части със суха кърпа.
- Не мийте продукта с устройство за миене под високо налягане.
- Не пръскайте вода директно върху двигателя.
- За отстраняване на листа, трева и прах използвайте четка.

## Отстраняване на проблеми

### Отстраняване на проблеми

Проблем	Възможна причина	Решение
Двигателят не се стартира	Обезопасителният ключ на запалването не е поставен.	Поставете обезопасителния ключ на запалването.
	Продуктът няма гориво.	Напълнете резервоара за гориво с нов чист бензин.
	Ключът вкл./изкл. е ИЗКЛ.	Преместете ключа вкл./изкл. в положение ВКЛ.
	Смукачът е в положение ИЗКЛ. (ЗАТВОРЕН).	Преместете смукача в положение ВКЛ. (ПЪЛЕН, ОТВОРЕНО).
	Подкачващата помпа не е натисната.	Натиснете подкачващата помпа.
	Прекалено много гориво е подкачено в двигателя.	Изчакайте няколко минути, преди да го рестартирате, НЕ подкачвайте.  Запалете двигателя при пълна газ и смукач в положение ИЗКЛ. (ЗАТВОРЕН).
	Проводникът на запалителната свещ не е свързан.	Свържете проводника към запалителната свещ.
	Запалителната свещ е повредена.	Подменете запалителната свещ.
	Има вода в горивото или горивото е много старо.	Изпразнете резервоара за гориво и карбуратора. Напълнете резервоара за гориво с нов чист бензин.
	В горивопровода има изпарения.	Уверете се, че горивопроводът е под изхода на резервоара за гориво. Горивопроводът трябва да върви непрекъснато надолу от резервоара за гориво до карбуратора.
	Други причини.	Проверете внимателно процедурите за стартиране в настоящото ръководство.
Прекъсвачът на горивото (ако има) е в положение ЗАТВОРЕН (ИЗКЛ.).	Завъртете превключвателя за горивото в ОТВОРЕНО (ВКЛ.) положение.	
Газта е в СПРЯНО положение.	Преместете газта в положение БЪРЗО.	

Проблем	Възможна причина	Решение
Понижена мощност	Проводникът на запалителната свещ не е свързан.	Свържете проводника към запалителната свещ.
	Продуктът изхвърля твърде много сняг.	Намалете скоростта и ширината на почистване.
	Капачката на резервоара за гориво е покрита със сняг или лед.	Отстранете снега и леда по и около капачката на резервоара за гориво.
	Ауспухът е замърсен или запушен.	Почистете или сменете ауспуха.
	Неподходяща дължина на жилото.	Регулирайте жилото.
	Ауспухът е блокиран.	Уверете се, че двигателят е студен. Почистете блокиращото замърсяване.
	Смукателният въздухопровод на карбуратора е блокиран.	Уверете се, че двигателят е студен. Почистете блокиращото замърсяване.
Двигателят работи на ниски обороти или на тласъци	Смукачът е в положение ВКП. (ПЪЛЕН, ОТВОРЕНО).	Преместете смукача в положение ИЗКП. (ЗАТВОРЕНО).
	Горивопроводът е запушен.	Почистете горивопровода.
	Има вода в горивото или горивото е много старо.	Изпразнете резервоара за гориво и карбуратора. Напълнете резервоара за гориво с нов чист бензин.
	Карбураторът трябва да се замени.	Обърнете се към упълномощен сервизен център.
	Ремъкът е разтегнат.	Сменете V-образния ремък на шнека.
Прекалени вибрации/ движение на ръкохватки	Някои части са разхлабени. Шнековете са повредени.	Затегнете всички части. Сменете повредените части. Ако вибрацията продължава, се обърнете към упълномощен сервизен център.
	Дръжките не са поставени правилно.	Уверете се, че дръжките са фиксирани на място.
	Гайките на регулиращия лост са разхлабени.	Стегнете гайките, докато усетите, че дръжката е стабилна.
Възвратната дръжка на стартера се дърпа трудно	Възвратната дръжка на стартера е замръзнала.	Бавно издърпайте възможно най-много въже от стартера и освободете възвратната дръжка на стартера. Ако двигателят не стартира, повторете процедурата или използвайте електрическия стартер.
	Въжето се пресича с компонентите.	Възвратното въже не трябва да докосва проводници или маркучи.

Проблем	Възможна причина	Решение
Загуба на сцепление/ забавяне на скоростта на движение  Загуби в обема или скоростта на изхвърляне на сняг	Ремъкът приплъзва.	Регулирайте жилото. Регулирайте ремъка.
	Ремъкът е износен.	Проверете/сменете ремъка.
	Ремъкът е излязъл от ролката.	Проверете/поставете отново ремъка.
	Дефлекторът на улея е задръстен.	Почистете дефлектора на улея.
	Чужди тела са задръстили снековете.	Отстранете остатъците или чуждите тела от снековете.
	Срезният щифт е счупен.	Сменете счупения срезен щифт.
	Прекалени натрупвания от сняг и лед между компонентите на веригите.	Премахнете натрупванията от сняг и лед между компонентите на веригите.
Фрикционното задвижващо колело е износено.	Обърнете се към упълномощен сервизен център.	
Неизправност при въртенето на шнека след освобождаване на захвата	Задвижващият ремък не е регулиран.	Регулирайте задвижващия ремък.
	Разтоварващият дефлектор не е регулиран.	Регулирайте разтоварващия дефлектор.
Светлините не са включени (ако има такива)	Двигателят не работи.	Стартирайте двигателя.
	Връзката на проводника е разхлабена.	Проверете кабелните връзки при двигателя и светлините.
	Светодиодът е изгорял.	Сменете светодиодния модула. Отделните светодиоди не могат да се сменят.
Роторът на улея се движи трудно	Наличие на остатъци в механизма на ротора на улея.	Почистете вътрешните части на механизма на ротора на улея.
	Жилата са прегънати или повредени.	Уверете се, че жилата не са прегънати. Сменете жилата, които са повредени.
Продукта завива на една страна	Налягането в гумите не е еднакво.	Регулирайте налягането в гумите и ги напопнете.
	Продуктът се движи само с едно колело.	Проверете фиксиращия щифт на гумата.
	Неравномерно регулиране на шейната.	Регулирайте плъзгащите се плочи и шейната.
	Неравномерно регулиране на плъзгащите се плочи.	Регулирайте плъзгащите се плочи и шейната.

## Транспортиране, съхранение и изхвърляне

### Транспорт и съхранение

- При съхранението и транспортирането на продукта и горивото се уверете, че няма течове

или изпарения. Искри или открит огън, например от електрически уреди или котли може да възникне пожар.

- Винаги използвайте одобрени контейнери за съхранение и транспортиране на гориво.
- Изпразнете резервоара за гориво, преди да приберете продукта за съхранение за дълъг период от време.
- Ако камерата за гориво на карбуратора има канал за източване, изпразнете горивото от карбуратора, преди да оставите продукта за съхранение за дълъг период от време.
- Прикрепете продукта по безопасен начин по време на транспортирането, за да се предотвратят повреди и злополуки.
- Съхранявайте продукта под ключ, за да предотвратите достъпа до него на деца или лица, които не са упълномощени да го използват.
- Съхранявайте продукта на сухо и незамръзващо място.

## Изхвърляне

- Съблюдавайте местните изисквания и приложимите разпоредби.
- Изхвърлете всички химикали, например моторно масло или гориво, в сервизен център или на подходящо място за изхвърляне.
- Изхвърлете продукта в одобрен пункт за изхвърляне или го изпратете на Husqvarna за изхвърляне.

## Технически характеристики

### Технически характеристики

	ST 124
<b>Размери</b>	
Тегло с празни резервоари, kg	76
Макс. работно налягане в гумите, PSI	20
Височина на поемане, cm	53,3
Работна ширина, cm	61
<b>Двигател</b>	
Марка	Husqvarna
Номинална изходна мощност на двигателя, kW	4,3
Обем, куб.см	212
Вид гориво	Безоловен обикновен бензин (максимално съдържание на етанол 10%)
Вместимост на резервоара за гориво, gal/l	0,58/2,2
Тип масло (API SJ-SN)	SAE 5W30 (под 0°C (32°F))
Вместимост на резервоара за масло fl. oz./l	20/0,6
<b>Електрическа система</b>	
Запалителна свещ	F7RTC
Разстояние между електродите на запалителната свещ (in/mm)	0,027 – 0,031/0,7 – 0,8
<b>Шумови емисии</b> <sup>16</sup>	
Ниво на звуковата мощност, измерена в dB(A)	100

<sup>16</sup> Шумови емисии в околната среда, измерени като звукова мощност ( $L_{WA}$ ) в съответствие с директиви на ЕО 2000/14/ЕО и 2005/88/ЕО. Отчетените данни за шумови емисии имат типична статистическа дисперсия (стандартно отклонение) от 1,5 dB(A). Неопределеност = 1,5 dB(A)

	<b>ST 124</b>
Ниво на звуковата мощност, гарантирана $L_{WA}$ dB(A)	102
<b>Нива на шума<sup>17</sup></b>	
Ниво на звуковото налягане при ухото на оператора, измерено $L_{PA}$ dB(A)	86
<b>Нива на вибрациите, <math>a_{hveq}</math><sup>18</sup></b>	
Ниво на вибрации на дръжката, ляво/дясно	4,15/4,08

<sup>17</sup> Ниво на звуковото налягане съгласно EN ISO 11201. Отчетените данни за нивото на звуковото налягане имат типична статистическа дисперсия (стандартно отклонение) от 1,5 dB(A).  
Неопределеност = 1,5 dB(A)

<sup>18</sup> Ниво на вибрации съгласно ISO 8437-4, приложение В. Неопределеност = 1,5 m/s<sup>2</sup>

# Декларация за съответствие на ЕО

## СЪДЪРЖАНИЕ НА ДЕКЛАРАЦИЯТА ЗА СЪОТВЕТСТВИЕ НА ЕС

Ние, Husqvarna, SE-561 82 Huskvarna, ШВЕЦИЯ, декларираме на своя собствена отговорност, че представеният продукт:

Описание	Снегорин
Марка	Husqvarna
Платформа/вид/модел	ST 124
Партида	Сериен номер, датиращ от 2020 и след това

отговаря напълно на следните директиви и регламенти на ЕС:

Директива/регламент	Описание
2006/42/ЕО	"относно машините"
2014/30/ЕС	"относно електромагнетичната съвместимост"
2000/14/ЕО; 2005/88/ЕО	"относно шумовите емисии в околната среда"
2011/65/ЕС	"ограничения за използване на определени опасни вещества"

Приложените хармонизирани стандарти и/или технически спецификации са следните: EN ISO 12100:2010, EN ISO 14982:2009, ISO 8437-1:2019, ISO 8437-2:2019, ISO 8437-4:2019, ISO 3744:1995, EN 1032:2003+A1:2008, EN 50581:2012

В съответствие с Директива 2000/14/ЕО + 2005/88/ЕО, приложение V, декларираните стойности на звука са посочени в раздела с технически характеристики на настоящето ръководство и в подписаната декларация за съответствие на ЕО.

Доставеният снегорин съответства на образеца, който е бил подложен на изпитване.

От името на Husqvarna AB, SE-561 82 Huskvarna, ШВЕЦИЯ, 07.02.2020 г



Claes Losdal

Отговорен за съставянето на техническите досиета, установени в рамките на ЕС

---

# Sadržaj

---

Uvod.....	56	Rješavanje problema.....	66
Sigurnost.....	57	Prijevoz, spremanje i zbrinjavanje.....	68
Sastavljanje.....	61	Tehnički podaci.....	69
Pogon.....	62	Izjava o sukladnosti EC.....	70
Održavanje.....	64		

---

## Uvod

---

### Pregled proizvoda

(Sl. 1)

1. Uključenje svrdla
2. Ručica za regulaciju brzine
3. Upravljačka ploča
4. Kabel svrdla
5. Komanda okretača usmjerivača
6. Deflektor žlijeba
7. Alat za čišćenje
8. Kućište svrdla
9. Svrdla
10. Štitnik motora
11. Guma
12. Punjenje ulja
13. Motor
14. Donja ručka
15. Ručica za regulaciju brzine vožnje
16. Kabel pogona
17. Povlačna ručica pokretača
18. Uključenje pogona
19. Ručke
20. Upaljač
21. Čok
22. Sklopka za gorivo
23. Ključ za uključivanje/isključivanje
24. Korisnički priručnik

### Opis proizvoda

Proizvod je bacač snijega koji se upotrebljava za uklanjanje snijega s tla.

### Namjena

Proizvod se može upotrijebiti za uklanjanje snijega s polja, cesta, pješačkih staza i prilaza. Nemojte ga upotrebljavati na nagibima većim od 15°. Proizvod nemojte upotrebljavati u područjima s mnogo ostataka, nečistoća i izbočenog kamenja.

### Symbols on the product

---

**Napomena:** If the decals on the product are damaged, contact the distributor to replace them.

---

- |          |   |
|----------|---|
| (Sl. 2)  | Warning.  |
| (Sl. 3)  | Read the operator's manual.   |
| (Sl. 4)  |   |
| (Sl. 5)  | Hot surface.  |
| (Sl. 6)  | Risk of fire.   |
| (Sl. 7)  | Choke.  |
| (Sl. 8)  | Pull starter rope handle.   |
| (Sl. 9)  | Do not breathe in the exhaust fumes from the engine.  |
| (Sl. 10) | Do not put any part of the body into the chute deflector or the auger housing when the augers rotate.                         |
| (Sl. 11) | Stop the engine before you remove snow from the chute deflector. Use the clean-out tool to remove snow, do not do it by hand. |
| (Sl. 12) |   |
| (Sl. 11) | Keep hands away from the chute deflector.   |
| (Sl. 13) | Objects can be ejected from the product.  |
| (Sl. 14) | Keep bystanders away from the product when operating.   |
| (Sl. 15) | Remove key before maintenance.  |
| (Sl. 16) | Push in the on/off key to the RUN position.   |
| (Sl. 17) | Turn the fuel switch to the ON position.  |
| (Sl. 18) | Push the primer.  |
| (Sl. 19) | Risk of falling.  |



- (Sl. 20) Move slowly rearward.
- (Sl. 21) Use approved protective gloves.
- (Sl. 22) Use a protective helmet. Use approved hearing protection. Use approved eye protection.
- (Sl. 23) Noise emissions to the environment according to European Directive 2000/14/EC and New South Wales legislation "Protection of the Environment Operations (Noise Control) Regulation 2017". Noise emission data can be found on the machine label and in the Technical data chapter.
- (Sl. 24) European machinery directive for safety.

**Napomena:** Other symbols/decals on the product refer to certification requirements for some markets.

## Standard za emisije Euro V.



**UPOZORENJE:** Petljanjem po motoru gubite pravo na odobrenje EU-a ovog proizvoda.

## Sigurnost

### Sigurnosne definicije

Definicije u nastavku prikazuju razinu ozbiljnosti svake signalne riječi.



**UPOZORENJE:** Ozljede osoba.



**OPREZ:** Oštećenje proizvoda.

**Napomena:** Informacije olakšavaju korištenje proizvoda.

### Sigurne radne prakse za bacače snijega kojima upravlja pješak

#### Općenito

Stroj može amputirati šake ili stopala te izbacivati predmete. Nepoštivanje sljedećih sigurnosnih uputa može uzrokovati ozbiljne ozljede.

#### Obuka

- Prije početka rada s jedinicom pročitajte, usvojite i slijedite sve upute navedene na stroju i u priručniku. Pažljivo pročitajte i upamtite komande i ispravno korištenje stroja. Naučite kako brzo zaustaviti stroj i otpustiti komande.

## Proizvođač

Husqvarna AB

Drottninggatan 2, SE-561 82 Huskvarna

## Pouzdanost proizvoda

Sukladno zakonima o pouzdanosti proizvoda nismo odgovorni za oštećenja uzrokovana našim proizvodima ako je:

- proizvod nepravilno popravljen
- proizvod popravljen dijelovima koje nije proizveo proizvođač ili nemaju odobrenje proizvođača
- proizvod ima dodatnu opremu koje nije proizveo proizvođač ili nemaju odobrenje proizvođača
- proizvod nije popravljen u odobrenom servisnom centru ili kod ovlaštene osobe.

- Nikada ne dopustite djeci da rukuju strojem. Odraslim osobama bez odgovarajuće pripreme nemojte dopustiti rad sa strojem.
- Svim osobama, a poglavito maloj djeci, onemogućite pristup u radno područje.
- Pazite kako se ne biste klizali ili pali, posebice kada strojem upravljate krećući se unatrag.

#### Priprema

- Temeljito pregledajte područje na kojem ćete upotrebljavati stroj te uklonite sve otirače, saonice, daske, žice i druge strane predmete.
- Prije pokretanja motora odspojite sve spojke i prijedite u neutralni položaj.
- Stroj nemojte upotrebljavati bez odgovarajuće zimske odjeće. Nemojte nositi široku odjeću koja može zapeti u pokretnim dijelovima. Nosite obuću koja poboljšava uporište na klizavim površinama.
- Tijekom pogona ili podešavanja ili popravaka obavezno nosite zaštitne naočale ili štitnike za oči kako biste oči zaštitili od stranih predmeta koji mogu biti izbačeni iz stroja.
- Gorivom rukujte oprezno; vrlo je zapaljivo.
  - Upotrebljavajte odobreni spremnik za gorivo.
  - Gorivo nikada nemojte ulijevati u motor u pogonu ili u vrući motor.
  - Spremnik za gorivo puniti na otvorenom te iznimno oprezno. Spremnik za gorivo nikada nemojte puniti u zatvorenom prostoru.
  - Spremnike nije dopušteno puniti u vozilu ni na kamionu ili prikolici s plastičnom ceradom.

Spremnike pri punjenju obavezno postavite na tlo, podalje od vozila.

- Kada je to moguće, iz kamiona ili s prikolice uklonite opremu pogonjenu benzinom i punite ju na tlu. Ako to nije moguće, takvu opremu napunite na prikolici pomoću prijenosnog spremnika, a ne mlaznicom za dolijevanje goriva.
- Mlaznica mora stalno biti u dodiru s obodom ili otvorom spremnika za gorivo, sve dok ne dovršite ulijevanje. Nemojte upotrebljavati mlaznicu koja se može blokirati u otvorenom položaju.
- Pričvrstite čep spremnika za gorivo i obrišite proliveno gorivo.
- Ako proliježe gorivo po odjeći, odmah se presuvucite.
- Za sve jedinice s elektropokretačima upotrebljavajte produžne kabele i utičnice sukladne navodima proizvođača.
- Podesite visinu kućišta sakupljača kako biste ga odmaknuli od površine prekrivene šljunkom ili drobljenim kamenom.
- Nikada nemojte pokušati provoditi podešavanja dok je motor u pogonu (osim kada postupate po izričitoj preporuci proizvođača).

## Pogon

- Ruke i noge nemojte stavljati blizu ni ispod rotirajućih dijelova. Držite se podalje od otvora za izbacivanje.
- Budite iznimno pažljivi pri radu ili prelasku preko šljunčanih prilaza ili pješačkih staza. Pazite na skrivene opasnosti ili tijekom rada blizu javnih cesta.
- Nakon udarca u strani predmet zaustavite motor, uklonite žicu svjeće, odspojite kabel s elektromotora, temeljito pregledajte je li bacač snijega oštećen i popravite oštećenja prije ponovnog pokretanja i rada s bacačem snijega.
- Ako stroj počne neuobičajeno vibrirati, zaustavite motor i odmah potražite uzrok. Vibracije su najčešće znak poteškoća.
- Motor zaustavite pri svakom napuštanju radnog položaja, prije odčepijavanja kućišta sakupljača/rotora ili odbijača usmjerivača žlijeba te za popravke, podešavanje ili preglede.
- Motor nemojte pogoniti u zatvorenom prostoru, osim pri pokretanju motora i za transportiranje bacača snijega u zgradu ili iz nje. Otvorite vanjska vrata; ispušni plinovi opasni su.
- Pri radu na nagibima budite izuzetno oprezni.
- Stroj nikada nemojte pogoniti bez postavljenih i ispravnih odgovarajućih štitnika i drugih zaštitnih uređaja.
- Pražnjenje nikada nemojte usmjeravati prema osobama ili u područja u kojima možete uzrokovati oštećenje imovine. Onemogućite pristup djeci i drugim osobama.
- Nemojte preopteretiti stroj nastojeći čistiti snijeg prevelikom brzinom.

- Na klizavim površinama nikada nemojte brzo raditi sa strojem. Gledajte iza i budite oprezni dok radite unatrag.
- Kada stroj transportirate ili ne ga ne upotrebljavate, isključite napajanje sakupljača/rotora.
- Upotrebljavajte samo priključke i dodatnu opremu s odobrenjem proizvođača stroja (poput utega za kotače, protuutega ili kabina).
- Stroj nikada nemojte pogoniti u uvjetima loše vidljivosti ili pri slaboj osvjetljenosti. Obavezno održavajte sigurno uporište i čvrsto držite ručke. Hodajte; nikada nemojte trčati.
- Nikada nemojte dodirivati vrući motor ili prigušivač.

## Čišćenje neprohodnog usmjerivača

- Najčešća ozljeda povezana s bacačima snijega nastaje pri kontaktu šake s rotirajućim rotorom unutar usmjerivača. Usmjerivač nikada nemojte čistiti rukama.
- Čišćenje usmjerivača:
  1. ISKLJUČITE MOTOR!
  2. Pričekajte 10 s kako biste bili sigurni da su se lopatice rotora zaustavile.
  3. Nikada nemojte raditi rukama, obavezno upotrebljavajte alat za čišćenje.

## Održavanje i čuvanje

- U redovitim razmacima provjerite jesu li smični i drugi vijci dobro zategnuti kako biste bili sigurni u dobro radno stanje stroja.
- Stroj s gorivom u spremniku za gorivo nikada nemojte skladištiti u zgradu s izvorima zapaljenja poput bojlera, grijalica ili sušilica odjeće. Prije skladištenja u bilo koji zatvoreni prostor pričekajte da se motor ohladi.
- Ako bacač snijega skladištite dugotrajno, obavezno potražite važne detalje u priručniku s uputama.
- Po potrebi održavajte ili zamijenite sigurnosne naljepnice.
- Nakon bacanja snijega stroj pogonite nekoliko minuta kako biste spriječili zamrzavanje kolektora/rotora.
- Pri čišćenju, popravljanju ili pregledu bacača snijega zaustavite motor i provjerite jesu li se zaustavili sakupljač/rotor i svi pokretni dijelovi. Odspojite žicu svjeće i držite je podalje od svjeće kako biste spriječili slučajno pokretanje motora.

## Opće sigurnosne upute

- Proizvod koristite ispravno. Nepravilno korištenje može uzrokovati ozljede ili smrt. Proizvod koristite samo za zadatke iz ovog priručnika. Proizvod nemojte koristiti za druge zadatke.
- Poštujte upute iz ovog priručnika. Poštujte sigurnosne simbole i sigurnosne upute. Ako operater ne poštuje upute i simbole, može doći do ozljeda, oštećenja ili smrti.

- Čuvajte ovaj priručnik. Koristite upute za sastavljanje, korištenje i održavanje proizvoda. Koristite upute za pravilnu ugradnju priključaka i dodatne opreme. Koristite isključivo odobrene priključke i dodatnu opremu.
- Nemojte koristiti oštećen proizvod. Pridržavajte se rasporeda održavanja. Provodite samo radove održavanja za koje su u priručniku navedene upute. Svi drugi radovi održavanja moraju se provesti u odobrenom servisnom centru.
- Priručnik ne može sadržavati sve situacije koje mogu nastati prilikom korištenja proizvoda. Budite pažljivi i razumni. Nemojte koristiti ili održavati proizvod ako niste sigurni u situaciju. Informacije zatražite od stručnjaka za proizvod, servisera ili odobrenog servisnog centra.
- Prije sastavljanja, pohrane ili održavanja proizvoda odspojite kabel svjećice.
- Nemojte koristiti proizvod ako su mu promijenjene početne specifikacije. Nemojte mijenjati dio proizvoda bez odobrenja proizvođača. Koristite isključivo dijelove s odobrenjem proizvođača. Nepravilno održavanje može uzrokovati ozljede ili smrt.
- Nemojte udisati pare motora. Dugotrajno udisanje ispušnih para motora opasnost je za zdravlje.
- Proizvod nemojte pokretati u zatvorenom prostoru ili u blizini zapaljivog materijala. Ispušne pare su vruće i mogu sadržavati vruće iskre koje mogu uzrokovati požar. Nedovoljan protok zraka može uzrokovati ozljede ili smrt zbog gušenja ili trovanja ugljičnim monoksidom.
- Prilikom korištenja proizvoda motor stvara elektromagnetsko polje. Elektromagnetsko polje može oštetiti medicinske implantate. Prije uporabe proizvoda obratite se liječniku ili proizvođaču medicinskog implantata.
- Djeci nemojte dopustiti korištenje proizvoda. Osobama koje nisu upoznate s uputama nemojte dopustiti upotrebu proizvoda.
- Osobu smanjenih fizičkih ili mentalnih sposobnosti obavezno nadzirite tijekom korištenja proizvoda. Cijelo vrijeme mora biti prisutna odgovorna odrasla osoba.
- Proizvod zaključajte u prostor u koji je djeci i neovlaštenim osobama onemogućen pristup.
- Proizvod može izbacivati predmete i uzrokovati ozljede. Poštujte sigurnosne upute kako biste smanjili opasnost od ozljede i smrti.
- Nemojte se udaljavati od proizvoda s uključenim motorom.
- Za nezgode je odgovoran korisnik proizvoda.
- Prije i tijekom hodanja unatrag provjerite iza i dolje ima li male djece, životinja ili drugih opasnosti koje mogu uzrokovati pad.
- Prije korištenja proizvoda provjerite jesu li njegovi dijelovi neoštećeni.
- Prije korištenja proizvoda provjerite jeste li od drugih osoba i životinja udaljeni najmanje 15 m (50').

Certifique-se de que uma pessoa numa área adjacente sabe que irá utilizar o produto.

- Pogledajte nacionalne ili lokalne zakone. Njima u određenim uvjetima može biti spriječeno ili ograničeno korištenje proizvoda.

## Obuka

- Prije početka rada s jedinicom pročitajte, usvojite i slijedite sve upute navedene na stroju i u priručniku. Temeljito se upoznajite se komandama i pravilnom upotrebom opreme. Naučite kako brzo zaustaviti stroj i otpustiti komande.
- Djeca nikada ne smiju pogoniti opremu. Odraslim osobama bez odgovarajuće pripreme nemojte dopustiti rad s opremom.
- Svim osobama, a poglavito maloj djeci, onemogućite pristup u radno područje.
- Pazite kako se ne biste poskliznuli ili pali, posebice kada bacačem snijega upravljate krećući se unatrag.

## Sigurnosne upute za rad

- Ruke i noge nemojte stavljati blizu ni ispod rotirajućih dijelova. Držite se podalje od otvora za izbacivanje.
- Budite iznimno pažljivi pri radu ili prelasku preko šljunčanih prilaza, staza ili cesta. Obratite pažnju na skrivene opasnosti ili promet.
- Nakon udara u strani predmet zaustavite motor, uklonite žicu svjećice, odspojite kabel s elektromotora, temeljito pregledajte je li proizvod oštećen i popravite oštećenja prije ponovnog pokretanja i rada sa strojem.
- Ako proizvod počne pretjerano vibrirati, zaustavite motor i odmah potražite razlog. Vibracije su najčešće znak poteškoća.
- Motor zaustavite pri svakom napuštanju radnog položaja, prije odčepijivanja kućišta svrdla ili deflektora žlijeba te za popravke, podešavanje ili pregled.
- Pri čišćenju, popravljanju ili pregledu proizvoda zaustavite motor i uvjerite se kako su se zaustavila svrdla i svi pokretni dijelovi. Odspojite žicu svjećice i držite je podalje od svjećice kako biste spriječili slučajno pokretanje motora.
- Motor nemojte pogoniti u zatvorenom prostoru, osim pri pokretanju motora za transport proizvoda u ili iz građevine. Otvorite vanjska vrata; ispušni plinovi opasni su.
- Pri radu na nagibima budite izuzetno oprezni.
- Proizvod nikada nemojte pogoniti bez postavljenih i ispravnih odgovarajućih štitnika i drugih zaštitnih uređaja.
- Deflektor žlijeba nikada nemojte usmjeravati prema osobama ili u područja u kojima možete uzrokovati oštećenje imovine. Onemogućite pristup djeci i drugim osobama.
- Nemojte preopteretiti stroj nastojeći čistiti snijeg prevelikom brzinom.

- Stroj na klizavim površinama nikada nemojte pogoniti visokom brzinom kretanja. Gledajte iza i budite oprezni dok radite unatrag.
- Isključite napajanje svrdla kada transportirate ili ne upotrebljavate proizvod.
- Upotrebljavajte samo priključke i dodatnu opremu s odobrenjem proizvođača proizvoda (poput utega za kotače, protuutega ili kabina).
- Proizvod nikada nemojte pogoniti u uvjetima loše vidljivosti ili pri slaboj osvjetljenosti. Obavezno održavajte sigurno uporište i čvrsto držite ručke. Hodajte; nikada nemojte trčati.
- Nikada nemojte dodirivati vrući motor ili prigušivač.

## Sigurnost na radnom mjestu

- Temeljito pregledajte područje na kojem ćete upotrebljavati opremu te uklonite sve otiračače, saonice, daske, žice i druge strane predmete.
- Prije pokretanja motora odspojite sve spojke i prijedite u neutralni položaj.
- Proizvod nemojte upotrebljavati bez odgovarajuće zimske odjeće. Nemojte nositi široku odjeću koja može zapeti u pokretnim dijelovima. Nosite obuću koja poboljšava uporište na klizavim površinama.
- Gorivom rukujte oprezno; vrlo je zapaljivo.
  - Upotrebljavajte odobreni spremnik za gorivo.
  - Gorivo nikada nemojte ulijevati u motor u pogonu ili u vrući motor.
  - Spremnik za gorivo punite na otvorenom te iznimno oprezno. Spremnik za gorivo nikada nemojte puniti u zatvorenom prostoru.
  - Spremnike nije dopušteno puniti u vozilu ni na kamionu ili prikolici s plastičnom ceradom. Spremnike pri punjenju obavezno postavite na tlo, podalje od vozila.
  - Kada je to moguće, iz kamiona ili s prikolice uklonite opremu pogonjenu benzinom i punite ju na tlu. Ako to nije moguće, takvu opremu napunite na prikolici pomoću prijenosnog spremnika, a ne mlaznicom za doljevanje goriva.
  - Mlaznica mora stalno biti u dodiru s obodom ili otvorom spremnika za gorivo, sve dok ne dovršite uljevanje. Nemojte upotrebljavati mlaznicu koja se može blokirati u otvorenom položaju.
  - Pričvrstite čep spremnika za gorivo i obrišite proliveno gorivo.
  - Ako prolijete gorivo po odjeći, odmah se presvucite.
- Za sve jedinice s pogonskim elektromotorima ili elektropokretačima upotrebljavajte produžne kabele i utičnice sukladne navodima proizvođača.
- Podesite visinu kućišta svrdla kako biste ga odmaknuli od površine prekrivene šljunkom ili drobljenim kamenom.
- Nikada nemojte pokušati provoditi podešavanja dok je motor u pogonu (osim kada postupate po izričitoj preporuci proizvođača).

- Tijekom pogona ili podešavanja ili popravaka obavezno nosite zaštitne naočale ili štitičke za oči kako biste oči zaštitili od stranih predmeta koji mogu biti izbačeni iz stroja.

## Oprema za osobnu zaštitu

Priilikom korištenja proizvoda obavezno koristite prikladnu osobnu zaštitnu opremu. To obuhvaća barem čvrstu obuću, zaštitu za oči i zaštitu sluha. Oprema za osobnu zaštitu ne uklanja opasnost od ozljeda, no može smanjiti ozbiljnost ozljede u slučaju nezgode.

- Dok pogonite proizvod ili provodite podešavanja ili popravke, obavezno nosite zaštitne naočale ili zaštitu za oči.
- Tijekom rada s proizvodom obavezno nosite prikladnu zimsku odjeću.
- Tijekom rada s proizvodom obavezno nosite protuklizne čizme za teške uvjete rada s dobrom potporom zgloba.
- Nemojte nositi široku odjeću koju mogu zahvatiti pokretne dijelovi.
- Ako je potrebno, nosite odgovarajuće zaštitne rukavice. Primjerice pri postavljanju, pregledu ili čišćenju noža.
- Tijekom rada s proizvodom obavezno upotrebljavajte odobrenu zaštitu sluha. Dugotrajna izloženost buci može uzrokovati gubitak sluha.

## Sigurnosni uređaji za proizvod

- Redovno održavajte proizvod.
  - Time produljujete vijek trajanja proizvoda.
  - Također smanjujete opasnost od nezgoda.

Redovno pregledavajte proizvoda kod odobrenog trgovca ili odobrenog servisera radi provedbe prilagodbi ili popravaka.

- Nemojte koristiti uređaj s oštećenom zaštitnom opremom. Ako je proizvod oštećen, obratite se odobrenom servisnom centru.

## Prigušivač

Prigušivač razinu buke održava na minimumu i ispušne plinove usmjerava dalje od rukovatelja.

Nemojte upotrebljavati proizvod bez prigušivača ili s oštećenim prigušivačem. Neispravni prigušivač povećava razinu buke i opasnost od požara.



**UPOZORENJE:** Prigušivač se tijekom rada, nakon rada te kada motor pogonite u praznom hodu jako zagrije. Budite oprezni u blizini zapaljivih materijal i/ili para kako biste spriječili požar.

## Sigurnost pri rukovanju s gorivom



**UPOZORENJE:** Prije korištenja proizvoda pročitajte upozoravajuće upute u nastavku.

- Nemojte pokretati proizvod ako u njemu ima goriva ili motornog ulja. Uklonite neželjeno gorivo/ulje i pričekajte na sušenje proizvoda.
- Ako gorivo prolijete po odjeći, odmah ju zamijenite.
- Gorivu nemojte dopustiti kontakt s tijelom jer može uzrokovati ozljede. Ako dođe do kontakta goriva s tijelom, sapunom i vodom isperite gorivo.
- Nemojte pokretati proizvod ako motor propušta. Redovito pregledavajte ima li na motoru propuštanja.
- Budite pažljivo s gorivom. Gorivo je zapaljivo, a pare su eksplozivne i mogu uzrokovati ozljede i smrt.
- Nemojte udisati pare goriva, one mogu uzrokovati ozljede. Osigurajte dovoljan protok zraka.
- U blizini goriva ili motora nemojte pušiti.
- U blizini goriva ili motora nemojte stavljati vruće predmete.
- Nemojte ulijevati gorivo kada je motor uključen.
- Prije ulijevanja goriva provjerite je li motor hladan.
- Prije ulijevanja goriva polako otvorite čep spremnika goriva i pažljivo isпустite tlak.
- Nemojte ulijevati gorivo u motor u zatvorenom prostoru. Nedovoljan protok zraka može uzrokovati ozljede ili smrt zbog gušenja ili trovanja ugljičnim monoksidom.
- Potpuno zategnite čep spremnika za gorivo. Ako čep spremnika za gorivo nije zategnut, postoji opasnost od požara.
- Prije pokretanja proizvod odmaknite najmanje 3 m / 10' od mjesta punjenja spremnika.
- Spremnik za gorivo nemojte puniti do kraja. Zagrijavanje uzrokuje širenje goriva. Ostavite mjesta pri vrhu spremnika za gorivo.

## Kemijsko upozorenje



**UPOZORENJE:** Ispušni plinovi ovog proizvoda sadrže kemikalije za koje je savezna država Kalifornija utvrdila da uzrokuju rak, urođene mane ili štete u reprodukciji. Više informacija potražite na [www.P65Warnings.ca.gov](http://www.P65Warnings.ca.gov).

## Sigurnosne upute za održavanje



**UPOZORENJE:** Prije korištenja proizvoda pročitajte upozoravajuće upute u nastavku.

- Ispušni plinovi iz motora sadrže ugljikov monoksid, vrlo opasan otrovni plin bez mirisa. Proizvod nemojte pokretati u zatvorenom ili uskom prostoru.
- Prije održavanja proizvoda zaustavite motor i odspojite kabel za paljenje od svjeće.
- Tijekom održavanja noževa nosite zaštitne rukavice. Noževi su vrlo oštri i lako dolazi do posjekotina.
- Dodaci i izmjene proizvoda bez odobrenja proizvođača mogu uzrokovati ozbiljne ozljede ili smrt. Nemojte mijenjati proizvod. Obavezno upotrebljavajte dijelove s odobrenjem proizvođača.
- Ako se održavanje ne provodi ispravno i redovno, povećava se opasnost od ozljede i oštećenja proizvoda.
- Održavanje provodite isključivo prema uputama iz ovog korisničkog priručnika. Sva druga servisiranja mora provoditi ovlašteni serviser.
- Redovno servisirajte proizvod kod ovlaštenog serviser.
- Zamijenite oštećene, istrošene ili polomljene dijelove.

## Sastavljanje



**UPOZORENJE:** Prije sklapanja proizvoda s razumijevanjem pročitajte poglavlje o sigurnosti.

### Ugradnja ručki

1. S kućišta uklonite četiri vijka s prirubnicom M8x25 (A).
2. Postavite četiri vijka s prirubnicom M8x25 (A), četiri odstojnika za oprugu (B) i četiri ravna odstojnika (C).
3. Postavite donju ručku (D) u dva otvora na obje strane kućišta. (Sl. 25)

4. Postavite tri završna vijka za ručku M8x50 (A), tri odstojnika (B), tri kotačića za ručku (C) i tri završne matice (D).
5. Na donju ručku postavite gornju ručku s upravljačkom pločom (E). (Sl. 26)

### Ugradnja odbijača usmjerivača

1. S kućišta uklonite disk okretača (B) i šesterokutne vijke s prirubnicom (D).
2. Pričvrstite disk okretača (B) i odbijač usmjerivača (A) na osnovu usmjerivača s tri bloka za ograničavanje (C).

3. Sa šest šesterokutnih vijaka s prirubicom (B) i zabravnim maticama (E) učvrstite blokove za ograničavanje (C). (Sl. 27)

## Ugradnja okretača usmjerivača

1. Ugradite prednju stranu okretača usmjerivača.
2. Na prednju stranu okretača usmjerivača postavite plastičnu čahuru (B).
3. Pričvrstite okretač usmjerivača s jednim ravnim odstojnikom (A) i jednom iglom. (Sl. 28)
4. Ugradite stražnju stranu okretača usmjerivača.
5. Za sastavljanje okretača usmjerivača primijenite jednu zabravnu maticu M8 (A), jedan plastični zabravni kotačić za ručku (B), dva zakrivljena odstojnika (C) i jedan navijač (D).
6. Jednim šesterokutnim vijkom M8 (E) okretač usmjerivača (A) pričvrstite u otvore na ručki. (Sl. 29)

## Ugradnja ručice za regulaciju brzine vožnje

1. Dugačku zakrivljenu stranu ručice za regulaciju brzine vožnje (A) instalirajte na upravljačku ploču te je pričvrstite jednom oprugom za spojnu šipku (B), ravnom podloškom (C) i jednom rascjepkom (D). (Sl. 30)

2. Podignite pomičnu pričvrсну pločicu (B) i ugradite kratki savijeni kraj ručice za regulaciju brzine vožnje (A). Pričvrstite ručicu za regulaciju brzine vožnje (A) s jednom ravnom podloškom (C) i jednom rascjepkom (D). (Sl. 31)

3. Ako je potrebno, izvucite ručicu za regulaciju brzine vožnje. Otpustite zabravne matice zateznog vijka i okrenite ga. Ponovno zategnite zatezni vijak natrag u izborni položaj za ispravnu regulaciju brzine. Izvorni položaj označen je na navojima. (Sl. 32)

## Ugradnja kabela svrdla i pogona

1. S kabela (D) uklonite dva vijka za kabele (B).
2. Postavite dva vijka za kabele (B) u otvore na lijevoj i desnoj ručki (A). (Sl. 33)
3. Pričvrstite kabele (D) za vijke za kabele (B).
4. Priključite i zategnite lijevi i desni umetak kabela s navojem (D) u vijak za kabel (B) tako da gornji dio mjedene zabravne matice (C) poravnate s oznakom na navojima (E).
5. Zategnite kabele mjedenom zabravnom maticom (C).

---

## Pogon

---



**UPOZORENJE:** Prije rada s proizvodom pažljivo pročitajte i usvojite poglavlje o sigurnosti i upute za sastavljanje.

### Prije pokretanja proizvoda

- Osobe i životinje držite podalje od radnog područja.
- Provodite svakodnevno održavanje. Pogledajte *Raspored održavanja na stranici 64*.
- Vodič za paljenje mora biti ispravno proveden na svjećicu.
- Ako je potrebno, ulijte ulje ili benzin. Pogledajte *Punjenje motora uljem na stranici 62*.

### Punjenje motora uljem



**OPREZ:** Pri provjeri ulja nemojte okretati mjernu šipku. Nemojte puniti iznad oznake.

1. Skinite čep za nadolijevanje ulja i obrišite mjernu šipku. Položaj mjerne šipke potražite u *Pregled proizvoda na stranici 56*.
2. Napunite uljem do gornje oznake na mjernoj šipci. Provjeravajte razinu ulja mjernom šipkom u redovnim intervalima.
3. Vratite čep za nadolijevanje ulja.

### Ulijevanje goriva

Ako je dostupno, upotrebljavajte benzin s niskim emisijama/alkilatni benzin. Ako benzin s niskim emisijama/alkilatni benzin nije dostupan, upotrebljavajte isključivo kvalitetni bezolovni benzin. Izvan Sjeverne Amerike upotrebljavajte benzin s oktanskim brojem 90 RON ((87 (R+M)/2 u Sjevernoj Americi) ili višim, s maksimalno 10 % etanola (E10).



**OPREZ:** Izvan Sjeverne Amerike nemojte upotrebljavati benzin s oktanskim brojem manjim od 90 RON (87 (R+M)/2 u Sjevernoj Americi). Tako možete oštetiti proizvod.

1. Čep spremnika goriva otvarajte polako kako biste otpustili tlak.
2. Punite polako pomoću kantice za gorivo. Ako prolijete gorivo, obrišite ga krpom i pričekajte na sušenje preostalog goriva.
3. Očistite područje oko čepa spremnika za gorivo.
4. Potpuno zategnite čep spremnika goriva. Ako čep spremnika goriva nije zategnut, postoji opasnost od požara.
5. Prije pokretanja proizvod odmaknite najmanje 3 m (10') od mjesta punjenja spremnika.

## Podešavanje odbijača usmjerivača

Smjerom izbacivanja snijega upravljate komandom okretača usmjerivača ugrađenom na lijevu ručku.

1. Za postavljanje smjera izbacivanja snijega okrećite komandu okretača usmjerivača.
2. Za izbacivanje snijega udesno komandu okretača usmjerivača okrećite u smjeru kazaljke na satu.
3. Za izbacivanje snijega ulijevo komandu okretača usmjerivača okrećite u smjeru suprotnom od kazaljke na satu. (Sl. 34)
4. Za podešavanje udaljenosti izbacivanja snijega povećajte ili smanjite kut odbijača. (Sl. 35)

## Pokretanje motora

1. Otpustite pokretač pogona. Ručicu za regulaciju brzine postavite u prvi položaj.
2. Sklopku za gorivo postavite u položaj ON (UKLJUČENO). (Sl. 36)
3. Okrenite čok u ZATVORENI položaj. (Sl. 37)
4. Tipku za uključenje/isključenje postavite u položaj POGON. (Sl. 38)
5. Jedan do tri puta pritisnite pumpicu za gorivo kako biste pokrenuli pumpu pojačanja. Pumpu pojačanja primjenjujte za hladno pokretanje pri niskim temperaturama. (Sl. 39)
6. Povucite povlačnu ručica pokretača. (Sl. 40)



**OPREZ:** Povlačnu ručica pokretača nemojte brzo otpustiti. Vratite ju polako u početni položaj.

**Napomena:** Ako je povlačna ručica pokretača zaglavljena, polako iz pokretača izvucite što više uzeta i otpustite povlačnu ručicu pokretača. Ako se motor ne pokrene, ponovite postupak ili upotrijebite električni pokretač.

7. Prije početka izbacivanja snijega motor 30 – 40 sekundi pogonite u praznom hodu.
8. Kada se motor zagrije, čok polako postavite u OTVORENI položaj. (Sl. 41)

## Pokretanje motora, električno pokretanje



**UPOZORENJE:** Proizvod je opremljen elektropokretačem od 230 V izmjenične struje. Elektropokretač nemojte upotrebljavati ako vam kućna instalacija nije pravilno uzemljen sustav na 230 V izmjenične struje. Može doći do ozbiljnih tjelesnih ozljeda ili oštećenja proizvoda. Elektropokretač ima trožilni električni utikač namijenjen za kućanske instalacije od 230 V izmjenične struje. Provjerite je li vaša kućna instalacija pravilno uzemljen sustav na 230

V izmjenične struje. Ako niste sigurni, upitajte ovlaštenog električara.

**Napomena:** Upotrebljavajte produžni kabel preporučen za upotrebu na otvorenom i najmanjeg presjeka od 16 AWG (1,5 mm<sup>2</sup>), ne dulji od 50' (15 m).

1. Otpustite pokretač pogona. Ručicu za regulaciju brzine postavite u prvi položaj.
2. Sklopku za gorivo postavite u položaj ON (UKLJUČENO). (Sl. 36)
3. Okrenite čok u ZATVORENI položaj. (Sl. 37)
4. Tipku za uključenje/isključenje postavite u položaj POGON. (Sl. 38)
5. Jedan do tri puta pritisnite pumpicu za gorivo kako biste pokrenuli pumpu pojačanja. Pumpu pojačanja primjenjujte za hladno pokretanje pri niskim temperaturama. (Sl. 39)
6. Priključite proizvod na napajanje. (Sl. 42)
7. Gumb za pokretanje na upravljačkoj kutiji pritisnite i zadržite pet sekundi. (Sl. 43)
8. Ako se motor ne pokrene, prije ponovnog pokušaja pričekajte pet sekundi.



**OPREZ:** Motor nemojte pokušavati pokrenuti više od 10 puta. Nakon 10 pokušaja pričekajte 40 minuta prije nego pokušate ponovno.

9. Nakon što pokrenete proizvod, odspojite električni kabel.
10. Prije početka izbacivanja snijega motor 30 – 40 sekundi pogonite u praznom hodu.
11. Kada se motor zagrije, čok polako postavite u OTVORENI položaj. (Sl. 41)

## Rad s proizvodom

1. Pritisnite uključenje svrdla uz ručku kako biste pokrenuli svrdlo i bacali snijeg. (Sl. 44)
2. Za pogon proizvoda prema naprijed ručicu za regulaciju brzine pomaknite ulijevo. Za pogon proizvoda unatrag ručicu za regulaciju brzine pomaknite udesno. (Sl. 45)
3. Uključenjem pogona upravljate desnom rukom.
4. Za uključenje pogonskih kotača pritisnite uključenje pogona uz ručku. Proizvod se pomiče prema naprijed ili unatrag, ovisno o položaju ručice za regulaciju brzine. (Sl. 46)

## Zaustavljanje proizvoda

**Napomena:** Za isključenje stroja u nuždi uklonite ključ za uključenje/isključenje.

1. Otpustite uključenje pogona za zaustavljanje pogonskih kotača.

2. Otpustite uključenje svrdla za isključenje svrdla i prekid izbacivanja snijega. (Sl. 47)
3. Sklopku za gorivo postavite u položaj OFF (ISKLJUČENO). (Sl. 48)
4. Uklonite ključ za uključivanje/isključivanje. (Sl. 49)

## Za dobar ishod

- Motor uvijek pogonite punim gasom ili blizu punog gasa.
- Brzinu proizvoda uvijek prilagodite snijegu, a prilagodite ju polugom za regulaciju brzine. Proizvod snijeg treba izbacivati ujednačeno.
- Lakše je i učinkovitije snijeg uklanjati neposredno nakon što napada.

- Kada god je to moguće, snijeg izbacujte niz vjetar.
- Na ravnim površinama poput asfaltiranih cesta štitnike motora podignite na 5 – 6 mm (0,2" – 0,25") iznad tla.
- Polugu stugača moguće je okrenuti. Kada se istroši gotovo do ruba kućišta, okrenite ju. Zamijenite oštećenu ili s obje strane istrošenu polugu strugača.
- Nemojte pomicati deflektor usmjerivača ako je začepljen.
- Ako se proizvod zbog nepredviđenih uvjeta ne pomiče prema naprijed, odmah otpustite pokretač pogona ili pomaknite ključ za UKLJUČENJE/ ISKLJUČENJE (ON/OFF) u položaj za isključenje (OFF).

---

## Održavanje

---

### Raspored održavanja

Održavanje	Dnevno	20 sati	50 sati	100 sati
Provjerite jesu li matice i vijci pritegnuti	X			
Provjerite razinu motornog ulja	X			
Zamijenite ulje <sup>19</sup>		X	X	X
Provjerite ima li ispuštanja goriva ili ulja	X			
Uklonite začepljenja, strane predmete u svrdlu	X			
Provjerite tlak u gumama <sup>20</sup>			X	
Pregledajte i zamijenite svječicu <sup>21</sup>				X

**Napomena:** Zupčani prijenosnik ne zahtjeva nadolijevanje ulja niti druga održavanja.

### Za opći pregled

- Provjerite jesu li sve matice i vijci na proizvodu pravilno pritegnuti.

### Provjera razine ulja



**OPREZ:** Preniska razina ulja može uzrokovati oštećenje motora. Prije pokretanja proizvoda provjerite razinu ulja.

1. Postavite proizvod na ravno tlo.
2. Skinite čep spremnika za ulje s pričvršćenom šipkom za mjerenje ulja.
3. Očistite ulje sa šipke za mjerenje razine ulja.

<sup>19</sup> Zamijenite ulje nakon prvih 20 h, 50 h, 100 h i potom svakih 100 h.

<sup>20</sup> Ispravan tlak u gumama potražite u Tehničkim podacima.

<sup>21</sup> Svake godine prije upotrebe pregledajte i očistite svječicu.



- Šipku za mjerenje ulja u potpunosti umetnite u spremnik za ulje kako biste dobili ispravan prikaz razine ulja.
- Uklonite mjernu šipku.
- Provjerite razinu ulja na šipci za mjerenje ulja.
- Ako je razina ulja niska, napunite motornim uljem i ponovno provjerite razinu ulja.

## Zamjena motornog ulja

- Pogonite motor nekoliko minuta kako biste zagrijali ulje. Toplo ulje bolje teče i prenosi više onečišćenja.



**UPOZORENJE:** Motorno ulje je vruće. Kožu nemojte izlagati istrošenom motornom ulju.

- Postavite proizvod na ravno tlo.
- Pogonite motor do potrošnje sveg goriva.
- Uklonite ključ za paljenje.
- Postavite spremnik ispod čepa za ispuštanje ulja.
- Uklonite čep za ispuštanje ulja, nagnite proizvod unatrag i ispuštite istrošeno ulje u posudu. (Sl. 50)
- Vratite proizvod u radni položaj.
- Postavite čep za ispuštanje ulja i čvrsto ga ručno zategnite.
- Napunite motor uljem, pogledajte *Punjenje motora uljem na stranici 62*.

## Pregled svjeće



**OPREZ:** Uvijek koristite preporučenu vrstu svjeće. Neodgovarajuća vrsta svjeće može oštetiti proizvod.

- Ako motor nema snage, teško se pokreće ili ne radi ispravno u praznom hodu, pregledajte svjećicu.
- Za smanjenje opasnosti od nepoželjnog materijala na elektrodama svjeće pratite sljedeće upute:
  - Provjerite je li broj okretaja pri praznom hodu pravilno podešen.
  - Provjerite ispravnost vrste goriva.
  - Provjerite je li filter zraka čist.
- Ako je svjećica prljava, očistite je i provjerite ispravnost zazora elektroda, pogledajte *Tehnički podaci na stranici 69*. (Sl. 51)
- Ako je potrebno, zamijenite svjećicu.

## Pregled svrdla i poluge strugača

- Prije svake upotrebe pregledajte jesu li svrdla i poluga strugača istrošeni.
- Ako je rub poluge strugača istrošen, okrenite polugu strugača. Ako je poluga strugača oštećena ili istrošena na oba ruba, zamijenite ju.
- Ako su rubovi svrdla istrošeni, obratite se ovlaštenom servisnom centru radi zamjene.

## Podešavanje štitnika motora

Štitnici motora sprječavaju oštećenja na donjem dijelu bacača snijega. Štitnike motora (A) podešavajte uz otpuštenu pričvrсну maticu ili neće biti na ispravnoj udaljenosti od tla. Za standardnu instalaciju nije potrebno podešavanje.

- Otpustite pričvrсну maticu (B) ključem od 13 mm ( $\frac{1}{2}$ ").
- Pomaknite štitnike motora (A) prema gore ili dolje.
  - Na ravnim površinama udaljenost između poluge strugača i tla postavite na 5 – 6 mm (0,2 – 0,25").
  - Na grubim površinama štitnike motora (A) postavite u položaj u kojem je poluga strugača iznad tla.



**UPOZORENJE:** Onemogućite ulazak šljunka i kamenja u proizvod. Predmeti koji se mogu izbaciti velikom brzinom mogu uzrokovati ozljede.

- Zategnite pričvrсну maticu (B). (Sl. 52)

## Zamjena smičnog klina

Smični klin štite proizvod od oštećenja. Puca ako strani predmet uđe među pomične dijelove.

- Ako smični klin pukne, zaustavite motor.
- Ugradite novi smični klin (A) i novu oprugu stezaljke (B). (Sl. 53)

## Pregled guma

- Gume nemojte izlagati gorivu, ulju i kemikalijama kako biste spriječili oštećenje gume.
- Gumama nemojte ići preko panjeva, kamenja, korijenja, oštih predmeta i drugih predmeta koji ih mogu oštetiti.
- Održavajte ispravan tlak u gumama, pogledajte *Tehnički podaci na stranici 69*.

## Čišćenje neprohodnog deflektora odvodnog žlijeba

Deflektor odvodnog žlijeba nemojte odčepljivati prije provedbe sljedećih radnji.

- Istovremeno otpustite pokretač svrdla i pokretač pogona.
- Pričekajte 10 sekundi kako biste bili sigurni da su se svrdla zaustavila.
- Zaustavite proizvod.
- Začepljenje uklonite alatom za čišćenje (dugačak barem 37 cm (15"), isporučuje se s nekim modelima).



**UPOZORENJE:** Nemojte rukama posezati u deflektor odvodnog žlijeba ili u unutrašnjost žlice za svrdlo.

## Za čišćenje proizvoda

- Plastične dijelove čistite čistom i suhom krpom.
- Za čišćenje proizvoda nemojte koristiti visokotlačni stroj za pranje.

- Nemojte liti vodu izravno na motor.
- Četkom uklonite lišće, travu i onečišćenja.

---

## Rješavanje problema

---

### Rješavanje problema

Problem	Mogući uzrok	Rješenje
Proizvod se ne uključuje	Zaštitni ključ za paljenje nije umetnut.	Umetnite zaštitni ključ za paljenje.
	U proizvodu nema goriva.	Spremnik za gorivo napunite svježim, čistim benzinom.
	Ključ za uključenje/isključenje nalazi se u položaju OFF (ISKLJUČENO).	Ključ za uključenje/isključenje postavite u položaj ON (UKLJUČENO).
	Čok je u zatvorenom (CLOSE) položaju (OFF).	Pomaknite čok u uključeni (ON), tj. puni otvoreni položaj (FULL, OPEN).
	Pumpica za gorivo nije pritisnuta.	Pritisnite pumpicu za gorivo.
	Motor je preplavljen.	Prije ponovnog pokretanja pričekajte nekoliko minuta, NEMOJTE puniti gorivom.  Ponovno pokrenite motor uz puni gas i čok u isključenom (OFF), odn. zatvorenom (CLOSE) položaju.
	Žica svječiće nije priključena.	Priključite žicu na svječiću.
	Svječica je neispravna.	Zamijenite svječiću.
	Gorivo sadrži vodu ili je prestaro.	Ispraznite spremnik za gorivo i rasplinjač. Spremnik za gorivo napunite svježim, čistim benzinom.
	U vodu za gorivo je uhvaćena para.	Provjerite je li cijeli vod za gorivo ispod izlaza iz spremnika za gorivo. Vod za gorivo od spremnika za gorivo do rasplinjača treba biti usmjeren prema dolje.
	Drugi uzroci.	Pažljivo pregledajte postupke pokretanja u ovom priručniku.
	Sklopka za gorivo (ako je ugrađena) nalazi se u ZATVORENOM (ISKLJUČENOM) položaju.	Okrenite sklopku za gorivo u otvoreni položaj OPEN (ON (UKLJUČENO)).
Gas je u položaju STOP.	Pomaknite gas u brzi položaj FAST.	

<b>Problem</b>	<b>Mogući uzrok</b>	<b>Rješenje</b>
Smanjena snaga	Žica svjećice nije priključena.	Priključite žicu na svjećicu.
	Proizvod izbacuje previše snijega.	Smanjite brzinu i širinu zahvata.
	Čep spremnika za gorivo prekriven je ledom i snijegom.	Uklonite led i snijeg sa čepa spremnika za gorivo i oko njega.
	Prigušivač je prljav ili neprohodan.	Očistite ili zamijenite prigušivač.
	Neodgovarajuća duljina kabela.	Podesite kabel.
	Prigušivač je blokiran.	Provjerite je li motor hladan. Očistite blokadu.
	Usis zraka rasplinjača je neprohodan.	Provjerite je li motor hladan. Očistite blokadu.
Motor radi u praznom pogonu li otežano	Čok je u uključenom položaju ON (FULL, OPEN (PUNI, OTVOREN)).	Postavite čok u isključeni položaj OFF (CLOSE (ZATVORENO)).
	Vod za gorivo je neprohodan.	Očistite vod za gorivo.
	Gorivo sadrži vodu ili je prestaro.	Ispraznite spremnik za gorivo i rasplinjač. Spremnik za gorivo napunite svježim, čistim benzinom.
	Potrebno je zamijeniti rasplinjač.	Obratite se ovlaštenom servisnom centru.
	Remen je rastegnut.	Zamijenite klinasti remen svrdla.
Prejake vibracije / pomicanje ručke	Neki dijelovi nisu pričvršćeni. Svrdla su oštećena.	Zategnite sve držače. Zamijenite oštećene dijelove. Ako se vibracije opet pojave, obratite se ovlaštenom servisnom centru.
	Ručke nisu pravilno postavljene.	Provjerite jesu li ručke učvršćene.
	Matice poluge za podešavanje nisu zategnute.	Zatežite matice dok ne osigurate ručku.
Povlačna ručica pokretača teško se povlači	Zamrznuta je povlačna ručica pokretača.	Polako iz pokretača izvucite što više užeta i otpustite povlačnu ručicu pokretača. Ako se motor ne pokrene, ponovite postupak ili upotrijebite električni pokretač.
	Uže zapinje za komponente.	Povlačno užo ne smije dodirivati druge žice ili crijeva.

Problem	Mogući uzrok	Rješenje
Gubitak pogona za vožnju/smanjenje brzine vožnje	Remen proklizuje.	Podesite kabel. Podesite remen.
	Remen je istrošen.	Provjerite / zamijenite remen.
Gubitak pražnjenja snijega ili sporije pražnjenje snijega	Remen je pao s remenice.	Provjerite / ponovno postavite remen.
	Deflektor usmjerivača je neprohodan.	Očistite deflektor usmjerivača.
	Svrkla su blokirana stranim predmetima.	Uklonite ostatke ili strani predmet sa svrdla.
	Smični klin je polomljen.	Zamijenite polomljeni smični klin.
	Prekomjerno nakupljanje snijega i leda između komponenti gusjenica.	Uklonite snijeg i led nakupljen između komponenti gusjenica.
	Istrošen je zupčanik tarnog prijenosa.	Obratite se ovlaštenom servisnom centru.
Svrdo se ne okreće nakon otpuštanja stiska	Pogonski remen nije poravnat.	Podesite pogonski remen.
	Deflektor usmjerivača nije poravnat.	Podesite deflektor usmjerivača.
Svjetla nisu uključena (ako su ugrađena)	Motor nije u pogonu.	Pokrenite motor.
	Labav je priključak kabela.	Provjerite priključke žice na motoru i svjetlima.
	LED indikator je pregorio.	Zamijenite modul s LED indikatorom. LED diode nije moguće pojedinačno zamijeniti.
Okretač usmjerivača teško se pokreće	U mehanizmu usmjerivača su ostaci.	Očistite unutarnje dijelove mehanizma okretača usmjerivača.
	Kabli su izvijeni ili oštećeni.	Ispravite kabele. Zamijenite oštećene kabele.
Proizvod skreće na jednu stranu	Tlak u gumama nije jednak.	Podesite tlak u gumama i napunite gumu.
	Proizvod se pogoni samo jednim kotačem.	Pregledajte pričvrсни klin gume.
	Neravnomjerno podešene saonice.	Podesite štitnike motora i saonice.
	Neravnomjerno podešeni štitnici motora.	Podesite štitnike motora i saonice.

## Prijevoz, spremanje i zbrinjavanje

### Prijevoz i skladištenje

- Za prijevoz i skladištenje proizvoda i goriva uvjerite se kako nema propuštanja ili isparavanja. Iskre ili otvoren plamen, primjerice od električnih uređaja ili bojlera, mogu uzrokovati požar.
- Za prijevoz i skladištenje goriva obavezno upotrebljavajte odobrene spremnike.
- Prije dugotrajnog skladištenja proizvoda ispraznite spremnik za gorivo.

- Ako je na spremniku goriva za rasplinjač čep za ispuštanje, prije dugotrajnog skladištenja proizvoda ispuštite gorivo iz rasplinjača.
- Čvrsto osigurajte proizvod za prijevoz kako biste spriječili oštećenja i nezgode.
- Proizvod čuvajte u zaključanom prostoru kako biste onemogućili pristup djeci ili osobama bez odobrenja.
- Proizvod skladištite u suhom prostoru bez mraza.

### Odlaganje

- Poštujte lokalne zahtjeve i važeće propise.

- Sve kemikalije, primjerice motorno ulje ili gorivo, odložite u servisnom centru ili na prikladnoj lokaciji za odlaganje.

- Odložite proizvod na odobrenoj lokaciji za odlaganje ili pošaljite tvrtki Husqvarna.

## Tehnički podaci

### Tehnički podaci

	<b>ST 124</b>
<b>Dimenzije</b>	
Težina s praznim spremnicima, kg	76
Maks. radni tlak u gumama, PSI	20
Visina usisa, cm	53,3
Radna širina, cm	61
<b>Motor</b>	
Marka	Husqvarna
Nazivna izlazna snaga motora, kW	4.3
Zapremnina, ccm	212
Vrsta goriva	Obično bezolovno (maksimalno 10 % etanola)
Zapremnina goriva, gal / l	0,58 / 2,2
Vrsta ulja (API SJ-SN)	SAE 5W30 (ispod 0 °C (32 °F))
Zapremnina ulja, fl. oz. / l	20 / 0,6
<b>Električni sustav</b>	
Svjećica	F7RTC
Zazor elektroda svjećice (in. / mm)	0,027 – 0,031 / 0,7 – 0,8
<b>Emisije buke<sup>22</sup></b>	
Izmjerena jačina zvuka dB(A)	100
Jamčena razina jakosti zvuka $L_{WA}$ dB (A)	102
<b>Razine buke<sup>23</sup></b>	
Razina zvučnog tlaka na uhu rukovatelja, izmjerena $L_P$ , dB(A)	86
<b>Razine vibracija, <math>a_{hved}</math><sup>24</sup></b>	
Razina vibracija na ručki, lijevo / desno	4,15 / 4,08

<sup>22</sup> Emisije buke u okoliš izmjerene kao jakost zvuka ( $L_{WA}$ ) u skladu s Direktivama EZ 2000/14/EC i 2005/88/EC. Navedeni podaci za emisiju zvuka uključuju tipično statističko raspršenje (standardno odstupanje) od 1,5 dB(A). Nesigurnost = 1,5 dB(A)

<sup>23</sup> Razina tlaka zvuka u skladu s normom EN ISO 11201. Podaci o razini zvučnog tlaka pokazuju tipičnu statističku disperziju (standardna devijacija) od 1,5 dB (A). Nesigurnost = 1,5 dB(A)

<sup>24</sup> Razina vibracija prema ISO 8437-4, dodatku B. Nesigurnost = 1,5 m/s<sup>2</sup>

# Izjava o sukladnosti EC

## SADRŽAJ EZ IZJAVE O USKLAĐENOSTI

Mi, Husqvarna, SE-561 82 Huskvarna, ŠVEDSKA, izjavljujemo pod isključivom odgovornošću kako je prikazani proizvod:

Opis	Bacač snijega
Marka	Husqvarna
Platforma / vrsta / model	ST 124
Grupa	Serijski brojevi od 2020 i noviji

u potpunosti sukladan sljedećim EU direktivama i propisima:

Direktiva/propis	Opis
2006/42/EZ	"koja se odnosi na strojeve"
2014/30/EU	"koja se odnosi na elektromagnetsku kompatibilnost"
2000/14/EZ; 2005/88/EZ	"koja se odnosi na vanjsku buku"
2011/65/EU	"o ograničenju uporabe određenih opasnih tvari"

Primijenjene su sljedeće usklađene norme i/ili tehničke specifikacije: EN ISO 12100:2010, EN ISO 14982:2009, ISO 8437-1:2019, ISO 8437-2:2019, ISO 8437-4:2019, ISO 3744:1995, EN 1032:2003+A1:2008, EN 50581:2012

U skladu s dodatkom V direktive 2000/14/EZ +2005/88/EZ, objavljene vrijednosti zvuka navedene su u odjeljku s tehničkim podacima u ovom priručniku i u potpisanoj EZ izjavi o sukladnosti.

Isporučeni bacač snijega odgovara ispitanoj primjerku.

U ime tvrtke Husqvarna AB, SE-561 82 Huskvarna, ŠVEDSKA, 07.02.2020.



Claes Losdal

Osoba odgovorna za prikupljanje tehničkih datoteka utvrđenih unutar EU

---

# Obsah

---

Úvod.....	71	Odstraňování problémů.....	81
Bezpečnost.....	72	Přeprava, skladování a likvidace.....	83
Montáž.....	76	Technické údaje.....	84
Provoz.....	77	ES Prohlášení o shodě.....	86
Údržba.....	79		

---

## Úvod

---

### Popis výrobku

(Obr. 1)

1. Aktivace šneku
2. Ovládací páka rychlosti pojezdu
3. Ovládací panel
4. Lanko šneku
5. Ovládání rotátoru vyhazovacího otvoru
6. Deflektor vyhazovacího otvoru
7. Nástroj pro čištění
8. Kryt šneku
9. Šneky
10. Ochranný kotouč
11. Pneumatika
12. Plnicí otvor oleje
13. Motor
14. Dolní část řídítek
15. Regulační tyč rychlosti pojezdu
16. Lanko pohonu
17. Rukojeť startovací šňůry
18. Aktivace pohonu
19. Rukojeť
20. Palivová pumpička
21. Sytič
22. Palivový spínač
23. Tlačítko ON/OFF (ZAP/VYP)
24. Návod k použití

### Popis výrobku

Tento produkt je sněhová fréza, která se používá k odstraňování sněhu ze země.

### Doporučené použití

Tento výrobek je možné používat k odstraňování sněhu z polí, silnic, chodníků a příjezdových cest. Nepoužívejte výrobek na svazích se sklonem větším než 15°. Nepoužívejte výrobek v oblastech, kde je příliš odpadků, nečistot a vyčnívajících kamenů.

### Symbols on the product

---

**Povšimněte si:** If the decals on the product are damaged, contact the distributor to replace them.

---

- (Obr. 2) Warning.
- (Obr. 3) Read the operator's manual.
- (Obr. 4)
- (Obr. 5) Hot surface.
- (Obr. 6) Risk of fire.
- (Obr. 7) Choke.
- (Obr. 8) Pull starter rope handle.
- (Obr. 9) Do not breathe in the exhaust fumes from the engine.
- (Obr. 10) Do not put any part of the body into the chute deflector or the auger housing when the augers rotate.
- (Obr. 11) Stop the engine before you remove snow from the chute deflector. Use the clean-out tool to remove snow, do not do it by hand.
- (Obr. 12)
- (Obr. 11) Keep hands away from the chute deflector.
- (Obr. 13) Objects can be ejected from the product.
- (Obr. 14) Keep bystanders away from the product when operating.
- (Obr. 15) Remove key before maintenance.
- (Obr. 16) Push in the on/off key to the RUN position.
- (Obr. 17) Turn the fuel switch to the ON position.
- (Obr. 18) Push the primer.
- (Obr. 19) Risk of falling.

- (Obr. 20) Move slowly rearward.
- (Obr. 21) Use approved protective gloves.
- (Obr. 22) Use a protective helmet. Use approved hearing protection. Use approved eye protection.
- (Obr. 23) Noise emissions to the environment according to European Directive 2000/14/EC and New South Wales legislation "Protection of the Environment Operations (Noise Control) Regulation 2017". Noise emission data can be found on the machine label and in the Technical data chapter.
- (Obr. 24) European machinery directive for safety.

**Povšimněte si:** Other symbols/decals on the product refer to certification requirements for some markets.

## Emise Euro V



**VÝSTRAHA:** Manipulace s motorem vede k zneplatnění typového schválení EU tohoto výrobku.

## Bezpečnost

### Definice týkající se bezpečnosti

Níže uvedené definice uvádí úroveň vážnosti jednotlivých signálních slov.



**VÝSTRAHA:** Zranění osob.



**VAROVÁNÍ:** Poškození výrobku.

**Povšimněte si:** Díky těmto informacím je používání výrobku snazší.

### Zásady bezpečného používání sněžových fréz s pešší obsluhou

#### Obecné

Tento stroj vám může uříznout ruce nebo nohy a nebezpečně odmrstit předměty. Nedodržení bezpečnostních pokynů může vést k závažnému poranění.

#### Školení

- Před prací se sněžnou frézou si přečtěte všechny pokyny uvedené v návodu tak, abyste jim dobře porozuměli. Seznamte se důkladně s ovládáním a správným používáním stroje. Naučte se, jak sněžovou frézu rychle zastavit a odpojit ovládání.

## Výrobce

Husqvarna AB

Drottninggatan 2, SE-561 82 Huskvarna

## Odpovědnost za výrobek

Jak uvádí zákon o odpovědnosti za výrobek, neneseme odpovědnost za žádnou škodu způsobenou naším výrobkem, pokud:

- byl výrobek nesprávně opraven.
- byl výrobek opraven pomocí součástí od jiného výrobce nebo součástí, které nejsou výrobcem schváleny.
- má výrobek příslušenství od jiného výrobce nebo příslušenství, které není výrobcem schváleno.
- výrobek nebyl opraven ve schváleném servisním středisku nebo schváleným odborníkem.

- Nikdy dětem nedovolte stroj obsluhovat. Nikdy nedovolte, aby stroj obsluhovali dospělí bez náležitého poučení.
- V pracovním prostoru nesmí být žádné osoby, hlavně ne malé děti.
- Dávejte pozor, abyste při práci neuklouzli nebo neupadli, zejména když vedete stroj pozpátku.

#### Připrava

- Důkladně zkontrolujte prostor, kde chcete stroj používat a odstraňte rohožky, sáňky, prkna, kabely a další předměty.
- Před spuštěním motoru vypněte všechny spojky a zařaďte neutral.
- Stroj neobsluhujte bez použití vhodného zimního oblečení. Při práci nesmíte mít volný oděv, protože by se mohl zachytit do pohyblivých dílů. Noste obuv, která bude dobře držet na kluzkých plochách.
- Při práci, seřizování nebo opravě vždy noste ochranné brýle nebo oční štít k ochraně očí před cizími předměty, které může stroj odmrstit.
- S palivem zacházejte vždy opatrně, je vysoce hořlavé.
  - Používejte schválený kanystř.
  - Nikdy nedoplňujte palivo, pokud je motor v chodu nebo je horký.
  - Palivovou nádrž naplňujte vždy velmi opatrně a venku. Nikdy ji neplňte uvnitř.
  - Nikdy neplňte kanystř uvnitř vozidla, na nákladní plošnině nebo přívěsu s podlahou z



plastu. Kanystry před plněním vždy položte na zem, v dostatečné vzdálenosti od vozu.

- Pokud je to možné, složte zařízení s benzinovým motorem z nákladního auta nebo přívěsu a palivo doplňte na zemi. Jestliže to není možné, doplňujte palivo na přívěsu dolitím z přenosného kanystru, nikoli z pistole stojanu.
- Pistole se musí až do úplného naplnění stále dotýkat hrdla palivové nádrže nebo kanystru. Nepoužívejte západku pistole.
- Uzávěr kanystru dobře zašroubujte a rozlitý benzin setřete.
- Při potřísnění oděvu palivem se ihned převlečte.
- Pro všechna zařízení s elektrickým startérem používejte prodlužovací kabely a zásuvky doporučené výrobcem.
- Nastavte výšku krytu sběrače tak, aby byl nad šterkovým povrchem nebo povrchem z kamenné drti.
- Motor nikdy nijak neseřizujte za chodu (pokud to není na výslovný pokyn výrobce).

### Provoz

- Nedávejte ruce ani nohy do otáčejících se dílů. Udržujte odstup od otvoru pro výhoz.
- Při přejíždění šterkových cest nebo chodníků buďte maximálně opatrní. Dávejte pozor na skrytá nebezpečí a při práci v blízkosti veřejných komunikací.
- Po nárazu do cizího předmětu okamžitě vypněte motor, odpojte kabel od zapalovací svíčky, u elektrických motorů odpojte kabel a důkladně prohlédněte sněhovou frézu, zda není poškozená. Případné opravy proveďte ještě před opětovným nastartováním a spuštěním sněhové frézy.
- Začne-li stroj nezvykle vibrovat, vypněte motor a ihned zjistěte příčinu. Vibrace zpravidla fungují jako výstraha před problémem.
- Motor zastavte vždy, když opouštíte stanoviště obsluhy, před uvolňováním krytu sběrače / ventilátoru nebo vyházovacího otvoru či při jakékoli opravě, seřízení nebo kontrole.
- Nenechávejte motor spuštěný ve vnitřních prostorách, kromě startování motoru a přepravy sněhové frézy do budovy nebo z budovy. Otevřete venkovní dveře; výfukové plyny jsou nebezpečné.
- Při práci na svazích buďte maximálně opatrní.
- Nikdy nepoužívejte stroj bez řádně nasazených a funkčních krytů a dalších bezpečnostních a ochranných zařízení.
- Nikdy nesměřujte výhoz směrem k lidem nebo místům, kde by mohlo dojít k úrazu nebo poškození. Nedovolte dětem ani dospělým, aby se k fréze přibližovali.
- Nepřetěžujte frézu příliš rychlým odhazováním sněhu.
- Na kluzkém povrchu nikdy nejezděte s frézou příliš rychle. Při couvání buďte opatrní a dívejte se za sebe.

- Pokud stroj někam převážíte nebo jej nepoužíváte, odpojte napájení sběrače / ventilátoru.
- Používejte pouze ústrojí a příslušenství schválená výrobcem stroje (např. vyvažovací závaží, protizávaží nebo kryty).
- Stroj nikdy neprovazujte za špatné viditelnosti nebo při špatném osvětlení. Vždy zaujměte pevný a vyvážený postoj a držte pevně držadlo. Stroj používejte za chůze, nikdy za běhu.
- Nikdy se nedotýkejte horkého motoru nebo tlumiče.

### Uvolnění zaneseného krytu vyházovacího otvoru

- Kontakt rukou s otáčejícím se ventilátorem je nejběžnější příčina poranění u sněhových fréz. Nikdy proto neuvolňujte vyházovací komín rukama.
- Uvolnění výhozu:
  1. VYPNĚTE MOTOR!
  2. Počkejte 10 vteřin, abyste měli jistotu, že se lopatky ventilátoru skutečně zastavily.
  3. Vždy používejte nástroj pro čištění, nikoli ruce.

### Údržba a uložení

- V pravidelných intervalech kontrolujte, zda jsou dobře utažené střížné šrouby a další šrouby, aby byl zajištěn bezpečný provozní stav zařízení.
- Stroj s palivem v palivové nádrži nikdy neskladujte uvnitř budovy, ve které jsou zdroje zapálení, jako jsou horkovodní a sálavá topná tělesa nebo sušičky prádla. Před skladováním v uzavřeném prostoru nechte vychladnout motor.
- Chcete-li sněhovou frézu skladovat delší dobu, vždy si v návodu k použití přečtěte důležité podrobné informace.
- V případě potřeby opravte nebo vyměňte bezpečnostní štítky.
- Po ukončení práce nechte stroj několik minut běžet, aby nedošlo k zamrznutí sběrače / ventilátoru.
- Když čistíte, opravujete nebo kontrolujete sněhovou frézu, zastavte motor a ujistěte se, zda se sběrač / ventilátor a pohyblivé části zastavily. Odpojte kabel zapalovací svíčky a položte jej mimo svíčku, aby se zabránilo náhodnému nastartování motoru.

### Obecné bezpečnostní pokyny

- Používejte výrobek správně. Nesprávné používání může mít za následek zranění nebo smrt. Výrobek používejte pouze k činnostem uvedeným v tomto návodu. K jiným činnostem výrobek nepoužívejte.
- Řiďte se pokyny v návodu. Řiďte se bezpečnostními symboly a pokyny. Pokud se obsluha nebude řídit pokyny a symboly, může dojít ke zranění, poškození nebo smrti.
- Tento návod nevyhazujte. Použijte pokyny k sestavení, k používání a udržování výrobku v dobrém stavu. Použijte pokyny k správné montáži nástavců a příslušenství. Používejte pouze schválené nástavce a příslušenství.

- Nepoužívejte poškozený výrobek. Dodržujte plán údržby. Provádějte pouze údržbu, ke které najdete pokyny v tomto návodu. Veškerou údržbu musí provádět schválené servisní středisko.
- Tento návod nemůže obsahovat všechny situace, ke kterým při používání výrobku dochází. Buďte opatrní a používejte zdravý rozum. Výrobek nepoužívejte a neprovádějte údržbu, když si nejste jisti danou situací. Poradte se s odborníkem, prodejcem, servisním pracovníkem nebo schváleným servisním střediskem.
- Před montáží, uskladněním nebo údržbou výrobku odpojte kabel zapalovací svíčky.
- Pokud se změní původní specifikace výrobku, nepoužívejte ho. Bez schválení výrobce neměňte žádné součásti výrobku. Používejte výhradně součásti schválené výrobcem. Nesprávná údržba může mít za následek zranění nebo smrt.
- Nevdechujte výpary motoru. Dlouhodobé vdechování výfukových plynů z motoru představuje zdravotní riziko.
- Nestartujte výrobek uvnitř budovy ani v blízkosti hořlavých materiálů. Výfukové plyny jsou horké a mohou obsahovat jiskry, které by mohly zažehnout požár. Nedostatečné proudění vzduchu může způsobit zranění nebo smrt udušením nebo otravou kyslíčnanem uhelnatým.
- Při používání výrobku vytváří motor elektromagnetické pole. Elektromagnetické pole může poškodit implantované lékařské přístroje. Před použitím výrobku se poraďte s lékařem a výrobcem implantovaných lékařských přístrojů.
- Zamezte používání výrobku dětmi. Zamezte používání výrobku osobami, které naznaží pokyny.
- Vždy sledujte osoby s fyzickým nebo mentálním postižením při práci s výrobkem. Vždy musí být přítomna zodpovědná dospělá osoba.
- Výrobek zamykejte na místě, kam nemají přístup děti a nežádoucí osoby.
- Produkt může způsobit vyvržení předmětů a následné poranění. Dodržujte bezpečnostní předpisy pro snížení rizika zranění a smrti.
- Neodcházejte od výrobku, když je spuštěný motor.
- Za případnou nehodu nese zodpovědnost obsluha výrobku.
- Před rozjezdem a při pohybu dozadu se dívejte dozadu a dolů, zda nejsou na ploše přítomné děti, zvířata nebo jiná nebezpečí, která mohou způsobit pád.
- Před použitím se přesvědčte, že nejsou poškozeny součásti.
- Před použitím výrobku zajistěte, abyste byli ve vzdálenosti minimálně 15 m (50 stop) od ostatních osob a zvířat. Zajistěte, aby osoby ve vaší blízkosti věděly, že budete výrobek používat.
- Podrobnosti naleznete v mezinárodních a místních zákonech. Za určitých podmínek mohou použití výrobku zakazovat nebo omezovat.

## Školení

- Před prací se sněžnou frézou si přečtěte všechny pokyny uvedené v návodu tak, abyste jim dobře porozuměli. Seznamte se důkladně s ovládním a správným používáním sněžové frézy. Naučte se, jak sněžovou frézu rychle zastavit a odpojit ovládání.
- Nikdy nedovolte, aby sněžnou frézu používaly děti. Nikdy nedovolte, aby sněžnou frézu používali dospělí bez náležitého poučení.
- V pracovním prostoru nesmí být žádné osoby, hlavně ne malé děti.
- Dávejte pozor, abyste při práci neuklouzli nebo neupadli, zejména když vedete sněžnou frézu pozpátku.

## Bezpečnostní pokyny pro provoz

- Nedávejte ruce ani nohy do otáčejících se dílů. Udržujte odstup od otvoru pro výhoz.
- Při přejíždění šטרkových cest, chodníků nebo ulic buďte maximálně opatrní. Dávejte stále dobrý pozor. pro Nebezpečí nebo.
- Po nárazu do cizího předmětu okamžitě vypněte motor, odpojte kabel od zapalovací svíčky, u elektrických motorů odpojte kabel a důkladně prohlédněte výrobek, zda není poškozený. Případné opravy proveďte ještě před opětovným nastartováním a spuštěním výrobku.
- Začne-li výrobek nezvykle vibrovat, vypněte motor a ihned zjistěte příčinu. Vibrace zpravidla fungují jako výstraha před problémem.
- Zastavte motor vždy, když opouštíte místo obsluhy, před uvolňováním krytu šneku nebo deflektoru vyhazovacího otvoru, nebo při jakékoli opravě, seřízení nebo kontrole.
- Když čistíte, opravujete nebo kontrolujete výrobek, vypněte motor a zkontrolujte, zda se šneky a pohyblivé části zastavily. Odpojte kabel zapalovací svíčky a položte jej mimo svíčku, aby se zabránilo náhodnému nastartování motoru.
- Nenechávejte motor spuštěný ve vnitřních prostorech, kromě startování motoru a přepravy výrobku do budovy nebo z budovy. Otevřete venkovní dveře; výfukové plyny jsou nebezpečné.
- Při práci na svazích buďte maximálně opatrní.
- Nikdy nepoužívejte výrobek, aniž by byly nasazené a funkční odpovídající kryty a další bezpečnostní a ochranná zařízení.
- Nikdy nesměřujte deflektor vyhazovacího otvoru směrem k lidem nebo místům, kde by mohlo dojít k úrazu nebo poškození. Nedovolte dětem ani dospělým, aby se k fréze přibližovali.
- Nepřetěžujte výrobek příliš rychlým odhazováním sněhu.
- Na kluzkém povrchu nikdy nejezděte s výrobkem příliš rychle. Při couvání buďte opatrní a dívejte se za sebe.
- Pokud výrobek někam převážíte, nebo jej nepoužíváte, odpojte pohon šneku.

- Používejte pouze ústrojí a příslušenství schválená výrobcem výrobku (např. vyvažovací závaží, protizávaží nebo kryty).
- Nikdy neprovazujte výrobek za špatné viditelnosti nebo při špatném osvětlení. Vždy zaujměte pevný a vyvážený postoj a držte pevně držadlo. Stroj používejte za chůze, nikdy za běhu.
- Nikdy se nedotýkejte horkého motoru nebo tlumiče.

## Bezpečnost pracovního prostoru

- Důkladně zkontrolujte prostor, kde chcete sněhovou frézu používat a odstraňte rohožky, sáňky, prkna, kabely a další předměty.
- Před spuštěním motoru vypněte všechny spojky a zařaďte neutrál.
- Výrobek neobsluhujte bez použití vhodného zimního oblečení. Při práci nesmíte mít volný oděv, protože by se mohl zachytit do pohyblivých dílů. Noste obuv, která bude dobře držet na kluzkých plochách.
- S palivem zacházejte vždy opatrně, je vysoce hořlavé.
  - Používejte schválený kanystr.
  - Nikdy nedoplňujte palivo, pokud je motor v chodu nebo je horký.
  - Palivovou nádrž naplňujte vždy velmi opatrně a venku. Nikdy ji neplňte uvnitř.
  - Nikdy neplňte kanystry uvnitř vozidla, na nákladní plošinu nebo přívěsu s podlahou z plastu. Kanystry před plněním vždy položte na zem, v dostatečné vzdálenosti od vozu.
  - Pokud je to možné, složte zařízení s benzínovým motorem z nákladního auta nebo přívěsu a palivo doplňte na zemi. Jestliže to není možné, doplňte palivo na přívěsu doltím z přenosného kanystru, nikoli z pistole stojanu.
  - Pistole se musí až do úplného naplnění stále dotýkat hrdla palivové nádrže nebo kanystru. Nepoužívejte západku pistole.
  - Uzávěr kanystru dobře zašroubujte a rozlity benzín setřete.
  - Při potřísnění oděvu palivem se ihned převlečte.
- Pro všechna zařízení s elektrickým hnacím motorem nebo elektrickým startérem používejte prodlužovací kabely a zásuvky doporučené výrobcem.
- Nastavte výšku krytu šneku tak, aby byl nad šterkovým povrchem nebo povrchem z kamenné drti.
- Nikdy se nepokoušejte provádět jakákoli nastavení při spuštěném motoru (kromě případů, ve kterých to výrobce výslovně doporučuje).
- Při práci, seřizování nebo opravě vždy noste ochranné brýle nebo oční štít k ochraně očí před cizími předměty, které může stroj odmrštit.

## Osobní ochranné prostředky

Při práci s výrobkem vždy používejte správné osobní ochranné prostředky. To zahrnuje minimálně pevnou obuv, ochranu očí a ochranu sluchu. Osobní ochranné

prostředky nemohou vyloučit nebezpečí poranění, ale sníží míru zranění v případě, že dojde k nehodě.

- Při používání, seřizování nebo opravě výrobku vždy noste ochranné brýle nebo ochranu očí.
- Při provozu výrobku vždy používejte vhodné zimní oblečení.
- Při práci s výrobkem vždy používejte odolnou obuv s protiskluzovou podrážkou a oporou kotníků.
- Nenoste volné oblečení, které by mohlo být zachyceno pohyblivými částmi.
- V případě potřeby používejte schválené ochranné rukavice. Například při připojování, kontrolování nebo čištění nožů.
- Při práci s výrobkem vždy používejte schválenou ochranu sluchu. Dlouhodobé působení hluku může způsobit ztrátu sluchu vyvolanou hlukem.

## Bezpečnostní zařízení na produktu

- Zajistíte pravidelnou údržbu výrobku.
    - Prodlouží se tím jeho životnost.
    - Sníží se nebezpečí nehody.
- U schváleného prodejce nebo ve schváleném servisním středisku nechte výrobek pravidelně kontrolovat, seřídit nebo případně opravit.
- Nepoužívejte výrobek s poškozenými ochrannými prostředky. V případě poškození výrobku se obraťte na schválené servisní středisko.

## Tlumič výfuku

Tlumič výfuku je určen k omezení úrovně hluku na minimum a k usměrnění výfukových plynů směrem od obsluhy.

Nepoužívejte výrobek bez tlumiče výfuku nebo pokud je vadný. Vadný tlumič výfuku zvyšuje hladinu hluku a nebezpečí požáru.



**VÝSTRAHA:** Tlumič výfuku je během provozu a po použití velmi horký, i když motor pracuje na volnoběžné otáčky. Aby se zabránilo požáru, dbejte zvýšené opatrnosti v blízkosti hořlavých materiálů a plynů.

## Bezpečnost při manipulaci s palivem



**VÝSTRAHA:** Před použitím výrobku si přečtěte následující varování.

- Pokud je na výrobku palivo nebo olej, nespouštějte ho. Nechtěně palivo/olej z výrobku odstraňte a nechte výrobek uschnout.
- Pokud si palivem polijete oblečení, okamžitě se převlekněte.
- Zabraňte styku paliva s tělem, může způsobit zranění. Pokud se polijete palivem, omyjte zasažené místo vodou a mýdlem.

- Nepouštějte motor, pokud z něj něco uniká. Pravidelně kontrolujte, jestli z motoru nic neuniká.
- Při manipulaci s palivem buďte opatrní. Palivo je hořlavé a výpary jsou výbušné a můžou způsobit zranění nebo smrt.
- Nevdechujte palivové výpary, můžou způsobit zranění. Zajistěte dostatečný průtok vzduchu.
- V blízkosti paliva ani motoru nekuřte.
- Do blízkosti paliva ani motoru neumístejte horké předměty.
- Když je spuštěný motor, nedoplňujte palivo.
- Než začnete doplňovat palivo, přesvědčte se, že je motor studený.
- Než doplníte palivo, pomalu otevřete uzávěr palivové nádrže a opatrně uvolněte tlak.
- Palivo do motoru nedoplňujte ve vnitřních prostorech. Nedostatečné proudění vzduchu může způsobit zranění nebo smrt udušením nebo otravou kyslíčnickem uhelnatým.
- Pevně dotáhněte víčko palivové nádrže. Není-li víčko palivové nádrže dotažené, hrozí nebezpečí požáru.
- Než výrobek spustíte, přejděte s ním minimálně 3 m (10 stop) od místa, kde jste doplňovali palivo.
- Nenaplňujte palivovou nádrž na maximum. Teplem dochází k rozpínání paliva. V horní části palivové nádrže udržujte volný prostor.

reprodukčních poškození. Další informace naleznete na adrese [www.P65Warnings.ca.gov](http://www.P65Warnings.ca.gov).

## Bezpečnostní pokyny pro údržbu



**VÝSTRAHA:** Před použitím výrobku si přečtěte následující varování.

- Výfukové plyny obsahují oxid uhelnatý, jedovatý a velmi nebezpečný plyn bez zápachu. Nenechávejte motor spuštěný ve vnitřních nebo uzavřených prostorech.
- Před prováděním údržby výrobku nejprve vypněte motor a odpojte kabel zapalování od zapalovací svíčky.
- Při provádění údržby nožů použijte ochranné rukavice. Nože jsou velmi ostré a může snadno dojít k porážení.
- Příslušenství a změny výrobku, které neschválí výrobce, mohou způsobit vážné zranění nebo úmrtí. Neprovádějte změny na výrobku. Vždy používejte výhradně příslušenství schválené výrobcem.
- Při nesprávném nebo nepravdělném provádění údržby se zvyšuje nebezpečí poranění a poškození výrobku.
- Provádějte pouze údržbu uvedenou v tomto návodu k používání. Veškerý ostatní servis musí provést schválený servisní pracovník.
- Servis výrobku by měl provádět schválený servisní pracovník v pravidelných intervalech.
- Poškozené, opotřebené či prasklé součásti vyměňte.

### Varování týkající se chemikálií



**VÝSTRAHA:** Výfukové plyny motoru vycházející z tohoto stroje obsahují chemické sloučeniny známé v Kalifornii jako původci rakoviny, vrozených vad a dalších

## Montáž



**VÝSTRAHA:** Než začnete montovat výrobek, přečtěte si pozorně kapitolu o bezpečnosti.

### Montáž rukojetí

1. Vyšroubujte 4 přírubové šrouby M8x25 (A) ze skříně.
2. Použijte 4 přírubové šrouby M8x25 (A), 4 pružinové distanční vložky (B) a 4 ploché distanční vložky (C).
3. Nainstalujte dolní rukojeť (D) do 2 otvorů po obou stranách skříně. (Obr. 25)
4. Použijte 3 pojistné šrouby rukojeti M8x50 (A), 3 distanční vložky (B), 3 knoflíky rukojeti (C) a 3 pojistné matice (D).
5. Nainstalujte horní rukojeť s ovládacím panelem (E) na dolní rukojeť. (Obr. 26)

### Sestavení deflektoru vyhadzovacího otvoru

1. Demontujte disk rotátoru (B) a 6 šestihřanných přírubových šroubů (D) ze skříně.
2. Připevněte disk rotátoru (B) a deflektor vyhadzovacího otvoru (A) k základně vyhadzovacího otvoru pomocí 3 vymezovacích bloků (C).
3. Zajistěte vymezovací bloky (C) pomocí 6 šestihřanných přírubových šroubů (D) a 6 pojistných matic (E). (Obr. 27)

### Sestavení rotátoru vyhadzovacího otvoru

1. Sestavte přední konec rotátoru vyhadzovacího otvoru.
2. Namontujte plastové pouzdro (B) na přední konec rotátoru vyhadzovacího otvoru.
3. Připevněte rotátor vyhadzovacího otvoru pomocí 1 ploché distanční podložky (A) a 1 závlačky (C). (Obr. 28)

- Sestavte zadní konec rotátoru vyhadzovacího otvoru.
- K sestavení rotátoru vyhadzovacího otvoru použijte 1 pojistnou matici M8 (A), 1 plastový knoflík fixační rukojeti (B), 2 zakřivené distanční vložky (C) a 1 vyrovnávací šroub (D).
- Pomocí 1 šestihřanné matice M8 (E) upevněte rotátor vyhadzovacího otvoru (F) do otvorů v rukojeti. (Obr. 29)

## Sestavení regulační tyče otáček pohonu

- Nainstalujte dlouhý zahnutý konec regulační tyče otáček pohonu (A) do ovládacího panelu a upevněte ji pomocí 1 pružiny pro spojovací tyč (B), 1 ploché distanční podložky (C) a 1 pojistné závlačky (D). (Obr. 30)
- Vytáhněte spojovací desku řazení (B) a namontujte krátký zahnutý konec regulační tyče otáček pohonu (A). Upevněte regulační tyč otáček pohonu (A)

pomocí 1 ploché distanční podložky (C) a 1 závlačky (D). (Obr. 31)

- V případě potřeby regulační tyč otáček pohonu vysuňte. Povolte pojistné matice na napínači a otáčejte napínačem. Utáhněte napínač zpět na původní místo, aby bylo možné správně ovládat rychlost. Původní umístění je vyznačeno na závitech. (Obr. 32)

## Sestavení lanek šneku a pohonu

- Vyšroubujte 2 šrouby lanka (B) z lanek (D).
- Našroubujte 2 šrouby lanka (B) do otvorů na levé a pravé rukojeti (A). (Obr. 33)
- Přípevněte lanka (D) ke šroubům lanka (B).
- Připojte a zajistěte závitovou vložku levého a pravého lanka (D) a šroub lanka (B) tak, aby byla horní část mosazné pojistné matice (C) vyrovnána se značkou na závitech (E).
- Zajistěte kabel mosaznou pojistnou maticí (C).

## Provoz



**VÝSTRAHA:** Před použitím výrobku si pozorně přečtěte kapitolu Bezpečnost a provozní pokyny.

### Před spuštěním výrobku

- Zajistěte, aby se v pracovní oblasti a jejím okolí nezdržovaly nepovolané osoby či zvířata.
- Provádějte denní údržbu. Viz *Plán údržby na strani 79*.
- Zkontrolujte, zda je zapalovací kabel řádně nasazen na zapalovací svíčke.
- V případě potřeby doplňte olej nebo benzín. Viz část *Doplňování motorového oleje na strani 77*.

### Doplňování motorového oleje



**VAROVÁNÍ:** Při kontrolování oleje nešroubujte olejovou měrku. Nedoplňujte nad značku.

- Odmontujte víčko olejové nádrže a očistěte olejovou měrku. Informace o umístění olejové měrky naleznete v části *Popis výrobku na strani 71*.
- Přidejte olej po horní značku na olejové měrce. Kontrolujte pravidelně hladinu oleje pomocí olejové měrky.
- Namontujte zpět víčko olejové nádrže.

### Doplňování paliva

Pokud možno používejte alkylátový benzín s nízkými emisemi. Nemějte k dostání alkylátový benzín s nízkými emisemi, používejte kvalitní bezolovnatý benzín. Používejte benzín s oktanovým číslem 90 RON mimo

Severní Ameriku (87 (R+M)/2 v Severní Americe) nebo vyšším a s obsahem etanolu maximálně 10 % (E10).



**VAROVÁNÍ:** Nepoužívejte benzín s oktanovým číslem nižším než 90 RON mimo Severní Ameriku (87 (R+M)/2 v Severní Americe). Můžete tím výrobek poškodit.

- Víčko palivové nádrže otevírejte pomalu, aby se uvolnil tlak.
- Palivo doplňte pomalu z kanystru. Dojde-li k rozlití paliva, odstraňte jej utěrkou a zbývající palivo nechte vypařit.
- Očistěte plochu kolem víčka palivové nádrže.
- Pevně dotáhněte víčko palivové nádrže. Nemějte-li víčko palivové nádrže dotažené, hrozí nebezpečí požáru.
- Než výrobek spustíte, přejděte s ním minimálně 3 m (10 stop) od místa, kde jste doplňovali palivo.

### Seřízení deflektoru vyhadzovacího otvoru

Směr odhazování sněhu je řízen ovladačem rotátoru vyhadzovacího otvoru, který je namontován na levé straně rukojeti.

- Otáčením ovládacího rotátoru vyhadzovacího otvoru nastavte směr otáčení odhazování sněhu.
- Otáčením ovládacího prvku rotátoru vyhadzovacího otvoru ve směru hodinových ručiček nastavíte odhazování sněhu vpravo.

- Otáčením ovládacího prvku rotátoru vyhadzovacího otvoru proti směru hodinových ručiček nastavíte odhazování sněhu vlevo. (Obr. 34)
- Nastavením úhlu deflektorů nahoru nebo dolů nastavíte vzdálenost odhazování sněhu. (Obr. 35)

## Nastartování motoru

- Uvolněte aktivaci pohonu. Umístěte páku ovládání rychlosti pohonu do první polohy.
- Nastavte palivový spínač do polohy ON (Zapnuto). (Obr. 36)
- Otočte sytič do polohy CLOSE (Zavřeno). (Obr. 37)
- Přepněte tlačítko ON/OFF (ZAP/VYP) do polohy RUN (Chod). (Obr. 38)
- 1–3 stisky palivové pumpičky spustíte pomocné čerpadlo. Pomocné čerpadlo lze použít pro studený start při nízkých teplotách. (Obr. 39)
- Zatáhnete za rukojeť startovací šňůry. (Obr. 40)



**VAROVÁNÍ:** Rukojeť startovací šňůry nepouštějte rychle. Posuňte ji pomalu zpět do startovací polohy.

**Povšimněte si:** Pokud je rukojeť startovací šňůry zamrzlá, pomalu ze startéru vytáhněte co nejvíce šňůry a uvolněte rukojeť startovací šňůry. Pokud motor nespustí, opakujte postup nebo použijte elektrický startér.

- Než začnete používat sněhovou frézu, nechte motor běžet 30 až 40 sekund na volnoběžné otáčky.
- Když je motor zahřátý, pomalu posuňte sytič do polohy OPEN (Otevřeno). (Obr. 41)

## Spuštění motoru, elektrické startování



**VÝSTRAHA:** Výrobek je vybaven elektrickým startérem na střídavý proud 230 V. Pokud nemáte k dispozici řádně uzemněný systém se střídavým napětím 230 V, elektrický startér nepoužívejte. Mohlo by dojít k zranění osob nebo poškození výrobku. Elektrický startér je vybaven napájecí trívodičovou zástrčkou a je určen pro střídavé napětí 230 V v domácnostech. Ujistěte se, že používáte řádně uzemněný systém se střídavým napětím 230 V. Pokud si nejste jisti, požádejte o radu kvalifikovaného elektrikáře.

**Povšimněte si:** Použijte prodlužovací kabel doporučený pro venkovní použití s průřezem kabelu nejméně 1,5 mm<sup>2</sup> (16 AWG), který není delší než 15 m (50 stop).

- Uvolněte aktivaci pohonu. Umístěte páku ovládání rychlosti pohonu do první polohy.

- Nastavte palivový spínač do polohy ON (Zapnuto). (Obr. 36)
- Otočte sytič do polohy CLOSE (Zavřeno). (Obr. 37)
- Přepněte tlačítko ON/OFF (ZAP/VYP) do polohy RUN (Chod). (Obr. 38)
- 1–3 stisky palivové pumpičky spustíte pomocné čerpadlo. Pomocné čerpadlo lze použít pro studený start při nízkých teplotách. (Obr. 39)
- Připojte výrobek ke zdroji napájení. (Obr. 42)
- Stiskněte a po dobu 5 sekund podržte tlačítko startování na ovládací skříňce. (Obr. 43)
- Pokud motor nespustí, počkejte 5 sekund a poté znovu stiskněte tlačítko startování.



**VAROVÁNÍ:** Nepokoušejte se nastartovat motor vícekrát než 10krát. Po 10 pokusech počkejte před dalším pokusem o startování 40 minut.

- Po nastartování motoru odpojte napájecí kabel od výrobku.
- Než začnete používat sněhovou frézu, nechte motor běžet 30 až 40 sekund na volnoběžné otáčky.
- Když je motor zahřátý, pomalu posuňte sytič do polohy OPEN (Otevřeno). (Obr. 41)

## Obsluha výrobku

- Pro aktivaci šneku a zahájení odhazování sněhu stiskněte aktivaci šneku směrem k rukojeti. (Obr. 44)
- Po posunutí ovládací páky rychlosti pojezdu vlevo se výrobek začne pohybovat vpřed. Po posunutí ovládací páky rychlosti pojezdu vpravo začne výrobek couvat. (Obr. 45)
- Aktivaci pohonu lze ovládat pravou rukojetí.
- Stisknutím aktivace pohonu směrem k rukojeti aktivujete hnací kola. Výrobek se pohybuje dopředu nebo dozadu v závislosti na nastavení ovládací páky rychlosti pojezdu. (Obr. 46)

## Zastavení výrobku

**Povšimněte si:** Chcete-li v případě nouze vypnout motor, vytáhněte tlačítko ON/OFF (ZAP/VYP).

- Uvolněním aktivace pohonu zastavíte hnaná kola.
- Uvolněním aktivace šneku šnek deaktivujete a zastavíte odhazování sněhu. (Obr. 47)
- Nastavte palivový spínač do polohy OFF (Vypnuto). (Obr. 48)
- Vytáhněte tlačítko ON/OFF (ZAP/VYP). (Obr. 49)

## Jak docílit dobrých výsledků

- Vždy používejte motor na plný plyn nebo téměř plný plyn.
- Vždy přizpůsobte rychlost výrobku sněhové situaci a nastavte rychlost pomocí ovládací páky rychlosti

- pojezdu. Kontrolujte, zda výrobek odhazuje sníh rovnoměrně.
- Je snazší a efektivnější odstraňovat sníh co nejdříve po napadnutí.
- Pokud je to možné, vždy odhazujte sníh po větru.
- Na rovných površích, jako jsou asfaltové cesty, zvedněte ochranné kotouče 5 až 6 mm (0,2 až 0,25 palce) nad zem.
- Škrabací lištu je možné obrátit. Když se opotřebí téměř k hraně krytu, obraťte ji. Vyměňte škrabací lištu, pokud je poškozená nebo opotřebená z obou stran.
- Nepoužívejte deflektor vyhazovacího otvoru, pokud je ucpaný.
- Pokud se výrobek nepohybuje dopředu kvůli nepředpokládaným okolnostem, uvolněte okamžitě aktivaci pohonu nebo otočte klíček zapalování do polohy „OFF“ (Vypnuto).

## Údržba

### Plán údržby

Údržba	Denně	20 hodin	50 hodin	100 hodin
Zajistěte, aby byly matice i šrouby správně dotaženy.	X			
Zkontrolujte hladinu motorového oleje.	X			
Vyměňte olej. <sup>25</sup>		X	X	X
Zkontrolujte, zda nedochází k úniku paliva nebo oleje.	X			
Odstraňte překážky a cizí předměty ve šneku.	X			
Zkontrolujte tlak v pneumatikách. <sup>26</sup>			X	
Odmontujte a vyměňte zapalovací svíčku. <sup>27</sup>				X

**Povšimněte si:** Nemíjí nezbytně přidávat mazivo ani provádět jinou údržbu převodovky.

### Provedení běžné kontroly

- Zajistěte, aby byly všechny matice a šrouby na výrobku správně dotaženy.

### Kontrola hladiny oleje



**VAROVÁNÍ:** Příliš nízká hladina oleje může způsobit poškození motoru. Před spuštěním výrobku zkontrolujte hladinu oleje.

1. Umístěte výrobek na rovnou plochu.
2. Sejměte víčko olejové nádrže s olejovou měrkou.
3. Setřete olej z olejové měřky.
4. Zasuňte olejovou měřku do olejové nádrže, abyste mohli zkontrolovat hladinu oleje.
5. Vyměňte olejovou měřku.
6. Zkontrolujte hladinu oleje na olejové měrce.
7. Pokud je hladina nízká, doplňte motorový olej a znovu zkontrolujte hladinu oleje.

<sup>25</sup> Vyměňte olej po prvních 20 h, 50 h, 100 h a poté každých 100 h.

<sup>26</sup> Správné tlaky v pneumatikách naleznete v kapitole Technické údaje.

<sup>27</sup> Zkontrolujte a vyčistěte zapalovací svíčku před každým použitím.

## Výměna motorového oleje

1. Spust'te na několik minut motor, aby se olej zahřál. Teplý olej lépe teče a odnese více nečistot.



**VÝSTRAHA:** Motorový olej je horký. Dávejte pozor, aby se vám použitý olej nedostal na pokožku.

2. Umístěte výrobek na rovnou plochu.
3. Nechte motor běžet až do vypotřebování veškerého paliva.
4. Vyměňte klíček zapalování.
5. Pod vypouštěcí zátku oleje umístěte nádobu.
6. Vyšroubujte vypouštěcí zátku oleje, nakloňte výrobek dozadu a vypust'te použitý olej do nádoby. (Obr. 50)
7. Uved'te výrobek zpět do provozní polohy.
8. Nasad'te vypouštěcí zátku oleje a řádně ji utáhněte rukou.
9. Informace o doplňování oleje do motoru naleznete v části *Doplňování motorového oleje na strani 77*.

## Kontrola zapalovací svíčky



**VAROVÁNÍ:** Vždy používejte doporučený typ zapalovacích svíček. Nesprávný typ zapalovací svíčky může způsobit poškození výrobku.

- Zkontrolujte zapalovací svíčku, pokud má motor malý výkon, špatné startuje nebo nefunguje správně ve volnoběžných otáčkách.
- Aby se snížilo nebezpečí přítomnosti nechtěných materiálů na elektrodách zapalovací svíčky, dodržujte tyto pokyny:
  - a) Zkontrolujte, zda jsou správně nastaveny volnoběžné otáčky.
  - b) Zkontrolujte správnost typu paliva.
  - c) Zkontrolujte, zda je vzduchový filtr čistý.
- Jestliže je zapalovací svíčka znečištěná, vyčistěte ji a zkontrolujte, zda je vzdálenost elektrod zapalovací svíčky správná, viz část *Technické údaje na strani 84*. (Obr. 51)
- V případě potřeby zapalovací svíčku vyměňte.

## Kontrola šneků a škrabací lišty

1. Před každým použitím zkontrolujte, zda nejsou šneky a škrabací lišta opotřebené.
2. Pokud je hrana škrabací lišty opotřebená, obraťte lištu. Vyměňte škrabací lištu, pokud je poškozená nebo opotřebená na obou hranách.
3. Pokud jsou hrany šneků opotřebené, obraťte se na autorizované servisní středisko a požádejte o jejich výměnu.

## Nastavení ochranných kotoučů

Ochranné kotouče zabraňují poškození spodní části sněhové frézy. Ochranné kotouče (A) seřizujte tehdy, když je povolena pojistná matice (B) nebo když není ochranný kotouč ve správné vzdálenosti od země. V případě standardní instalace není nutné žádné seřízení.

1. Uvolněte pojistnou matici (B) pomocí 13mm (½") otevřeného klíče.
2. Posuňte ochranné kotouče (A) nahoru nebo dolů.
  - a) Na rovném povrchu nastavte vzdálenost mezi škrabací lištou a zemí na 5–6 mm (0,2–0,25").
  - b) Na nerovném povrchu nastavte ochranné kotouče (A) do polohy, kdy je škrabací lišta nad nejvyššími nerovnostmi.



**VÝSTRAHA:** Zajistěte, aby se do produktu nedostaly kameny a štěrk. Předměty vymrštěné vysokou rychlostí mohou způsobit úraz.

3. Dotáhněte pojistnou matici (B). (Obr. 52)

## Výměna střížných kolíků

Střížné kolíky chrání výrobek před poškozením. Pokud se do pohyblivých částí dostane cizí předmět, zlomí se.

1. Pokud se střížný kolík zlomí, vypněte motor.
2. Namontujte nový střížný kolík (A) a novou pružinovou svorku (B). (Obr. 53)

## Kontrola pneumatik

- Udržujte pneumatiky bez přítomnosti paliva, oleje a chemikálií, aby se zabránilo poškození gumy.
- Nepřejíždějte pneumatikami přes pařezy, kameny, koleje, ostré předměty a jiné objekty, které mohou způsobit poškození pneumatik.
- Udržujte správný tlak v pneumatikách, viz *Technické údaje na strani 84*.

## Čištění ucpaného deflektoru vyhazovacího otvoru

Neodstraňujte překážky z deflektoru vyhazovacího otvoru dřívě, než provedete následující postup.

1. Uvolněte současně aktivaci šneku a aktivaci pohonu.
2. Počkejte 10 sekund, aby bylo jisté, že se šneky zastavily.
3. Zastavte výrobek.
4. Pomocí nástroje na čištění (musí být dlouhý alespoň 37 cm (15")), u některých modelů je součástí dodávky) odstraňte překážky.



**VÝSTRAHA:** Nevkládejte ruce do deflektoru vyhazovacího otvoru ani dovnitř ližce šneku.



## Čištění výrobku

- Plastové části čistíte čistou a suchou utěrkou.
- K čištění výrobku nepoužívejte vodu pod vysokým tlakem.

- Motor nesmí být přímo oplachován vodou.
- Pomocí kartáče odstraňte listí, trávu a nečistoty.

---

## Odstraňování problémů

---

### Odstraňování problémů

Problém	Možná příčina	Řešení
Výrobek nespouští.	Není vložen bezpečnostní klíček zapalování.	Vložte bezpečnostní klíček zapalování.
	Ve výrobku není palivo.	Doplňte do palivové nádrže čerstvý čistý benzin.
	Tlačítko ON/OFF (ZAP/VYP) je v poloze OFF (Vypnuto).	Nastavte tlačítko ON/OFF (ZAP/VYP) do polohy ON (Zapnuto).
	Sytič je v poloze OFF (ZAVŘENÝ).	Posuňte sytič do polohy ON (PLNÝ, OTEVŘENÝ).
	Nebyla stisknuta palivová pumpička.	Stiskněte palivovou pumpičku.
	Motor je zahlcený.	Před opětovným nastartováním počkejte několik minut. NEPOUŽÍVEJTE palivovou pumpičku.  Znovu nastartujte motor s plným plynem a sytičem v poloze OFF (ZAVŘENÝ).
	Není zapojený kabel zapalovací svíčky.	Připojte kabel k zapalovací svíčce.
	Zapalovací svíčka je vadná.	Vyměňte zapalovací svíčku.
	V palivu je voda nebo je palivo staré.	Vyprázdněte palivovou nádrž a karburátor. Doplňte do palivové nádrže čerstvý čistý benzin.
	Ve vedení paliva zůstaly výpary.	Zkontrolujte, zda je celé vedení paliva pod výstupem palivové nádrže. Vedení paliva musí procházet plynem dolů od palivové nádrže ke karburátoru.
	Další příčiny.	Přečtěte si pozorně postup spouštění uvedený v tomto návodu.
	Palivový spínač (je-li ve výbavě) je v poloze CLOSE (Zavřeno).	Otočte palivový spínač do polohy ON (OTEVŘENÝ).
Plyn je v poloze STOP.	Přesuňte plyn do polohy FAST (Rychle).	

<b>Problém</b>	<b>Možná příčina</b>	<b>Řešení</b>
Snížený výkon	Není zapojený kabel zapalovací svíčky.	Připojte kabel k zapalovací svíčce.
	Výrobek odhazuje příliš mnoho sněhu.	Snižte otáčky a šířku řádku.
	Víčko palivové nádrže je pokryté ledem nebo sněhem.	Odstraňte led a sníh z víčka palivové nádrže a okolního prostoru.
	Tlumič výfuku je znečištěný nebo ucpaný.	Vyčistěte nebo vyměňte tlumič výfuku.
	Nesprávná délka lanka.	Seřídte lanko.
	Tlumič výfuku je zablokovaný.	Zkontrolujte, zda je motor studený. Odstraňte překážku.
	Přívod vzduchu do karburátoru je ucpaný.	Zkontrolujte, zda je motor studený. Odstraňte překážku.
Motor nemá potřebný výkon nebo se zadrhává.	Sytič je v poloze ON (PLNÝ, OTEVŘENÝ).	Posuňte sytič do polohy OFF (ZAVŘENÝ).
	Vedení paliva je ucpané.	Vyčistěte vedení paliva.
	V palivu je voda nebo je palivo staré.	Vyprázdněte palivovou nádrž a karburátor. Doplněte do palivové nádrže čerstvý čistý benzín.
	Je nutné vyměnit karburátor.	Obratě se na autorizované servisní středisko.
	Řemen se natáhl.	Vyměňte klínový řemen šneku.
Nadměrné vibrace / pohyb řídítek	Některé díly jsou volné. Šneky jsou poškozené.	Dotáhněte všechny upevňovací prvky. Vyměňte poškozené díly. Pokud vibrace zůstávají, obraťte se na autorizované servisní středisko.
	Řídítka nejsou umístěna správně.	Zkontrolujte, zda jsou řídítka zajištěna na místě.
	Matice páčky nastavení jsou povolené.	Dotáhněte matice, dokud nebudou řídítka pevně zajištěna.
Rukojeť startovací šňůry lze těžko vytáhnout	Rukojeť startovací šňůry je zamrzlá.	Pomalou vytáhněte co nejvíce šňůry ze startéru a uvolněte rukojeť startovací šňůry. Pokud motor nespustí, opakujte postup nebo použijte elektrický startér.
	Šňůře brání v pohybu jiné součásti.	Startovací šňůra se nesmí dotýkat žádných kabelů ani hadic.

Problém	Možná příčina	Řešení
Ztráta trakčního pohonu / zpomalování rychlosti jízdy  Menší množství nebo zpomalování odhazovaného sněhu	Řemen prokluzuje.	Seřídte lanko. Seřídte řemen.
	Řemen je opotřebený.	Zkontrolujte / vyměňte řemen.
	Řemen je mimo řemenici.	Zkontrolujte / znovu nasadte řemen.
	Deflektor vyhazovacího otvoru je ucpaný.	Vyčistěte deflektor vyhazovacího otvoru.
	Cizí předměty ucply šneky.	Odstraňte nečistoty a cizí předměty ze šneků.
	Střížný kolík je zlomený.	Vyměňte zlomený střížný kolík.
	Nadměrné usazeniny sněhu a ledu mezi součástmi pásu.	Odstraňte usazeniny sněhu a ledu z prostoru mezi součástmi pásu.
Kolo třecího pohonu je opotřebené.	Obraťte se na autorizované servisní středisko.	
Porucha otáčení šneku po uvolnění rukojeti	Hnací řemen není zarovnaný.	Seřídte hnací řemen.
	Vyhazovací deflektor není zarovnaný.	Nastavte vyhazovací deflektor.
Světla nesvíí (jsou-li ve výbavě).	Motor není v chodu.	Nastartujte motor.
	Kabelové spojení je volné.	Zkontrolujte kabelové spojení na motoru a světlech.
	Dioda LED je spálená.	Vyměňte modul diody LED. Jednotlivé diody LED nelze vyměnit.
Rotátor vyhazovacího otvoru se těžko pohybuje.	V mechanismu rotátoru vyhazovacího otvoru jsou nečistoty.	Vyčistěte vnitřní části mechanismu rotátoru vyhazovacího otvoru.
	Lanka jsou zkroutená nebo poškozená.	Zkontrolujte, zda nejsou lanka zkroutěná. Vyměňte poškozená lanka.
Výrobek zatáčí na jednu stranu.	Tlak v pneumatikách není stejný.	Nastavte tlak v pneumatikách a nahustěte pneumatiky.
	Výrobek má pohon pouze na jedno kolo.	Zkontrolujte pojistný kolík pneumatiky.
	Nerovnoměrné nastavení sáněk.	Nastavte ochranné kotouč a sánky.
	Nerovnoměrné nastavení ochranných kotoučů.	Nastavte ochranné kotouč a sánky.

## Přeprava, skladování a likvidace

### Přeprava a skladování

- Před uskladněním a přepravou výrobku či paliva zkontrolujte, zda nejsou přítomny známky úniku nebo výparů. Jiskry a otevřený oheň, například z elektrických zařízení nebo kotlů, mohou zažehnout požár.
- Vždy používejte schválené nádoby na skladování a přepravu paliva.
- Před dlouhodobým skladováním výrobku vyprázdněte palivovou nádrž.
- Pokud je nádoba na palivo karburátoru vybavena vypouštěcí zátkou, před dlouhodobým uskladněním výrobku vyprázdněte palivo z karburátoru.
- Během přepravy musí být výrobek bezpečně upevněn, aby se zabránilo jeho poškození a nehodám.
- Skladujte výrobek na uzamčeném místě, aby se zamezilo přístupům dětí a neoprávněných osob.
- Uchovávejte výrobek na suchém a bezprašném místě.

## Likvidace

- Dodržujte místní požadavky a platné předpisy.
- Všechny chemikálie, například motorový olej nebo palivo, odevzdejte v servisním středisku nebo na příslušném sběrném místě.

- Zlikvidujte výrobek na schváleném sběrném místě nebo jej odešlete k likvidaci společnosti Husqvarna.

## Technické údaje

### Technické údaje

	ST 124
<b>Rozměry</b>	
Hmotnost s prázdnými nádržemi, kg	76
Max. provozní tlak v pneumatikách, PSI	20
Výška sání, cm	53,3
Pracovní šířka, cm	61
<b>Motor</b>	
Značka	Husqvarna
Jmenovitý výkon motoru, kW	4,3
Zdvihový objem, ccm	212
Typ paliva	Standardní bezolovnaté (maximálně 10 % etanolu)
Kapacita paliva, gal / l	0,58 / 2,2
Typ oleje (API SJ-SN)	SAE 5W30 (pod 0° C (32° F))
Kapacita oleje, fl. oz. / l	20 / 0,6
<b>Elektrický systém</b>	
Zapalovací svíčka	F7RTC
Vzdálenost elektrod zapalovací svíčky (palce / mm)	0,027–0,031 / 0,7–0,8
<b>Emise hluku<sup>28</sup></b>	
Hladina akustického výkonu, změřená dB(A)	100
Hladina akustického výkonu, zaručená L <sub>WA</sub> dB (A)	102
<b>Hladiny hluku<sup>29</sup></b>	
Hladina akustického tlaku na sluch obsluhy; naměřená hodnota L <sub>p</sub> dB (A)	86
<b>Úroveň vibrací, a<sub>hveq</sub><sup>30</sup></b>	

<sup>28</sup> Emise hluku v životním prostředí měřené jako akustický výkon (L<sub>WA</sub>) v souladu se směrnicemi 2000/14/ES a 2005/88/ES. Uváděná data pro emise hluku mají typickou statistickou odchylku (standardní odchylku) 1,5 dB (A). Nejistota měření = 1,5 dB (A)

<sup>29</sup> Hladina akustického tlaku měřená podle normy EN ISO 11201. Uváděná data pro hladinu akustického tlaku mají typickou statistickou odchylku (standardní odchylku) 1,5 dB(A). Nejistota měření = 1,5 dB (A)

<sup>30</sup> Úroveň vibrací podle dodatku B normy ISO 8437-4. Nejistota měření = 1,5 m/s<sup>2</sup>

	<b>ST 124</b>
Úrovně vibrací na rukojeti, vlevo / vpravo	4,15 / 4,08

# ES Prohlášení o shodě

## OBSAH PROHLÁŠENÍ O SHODĚ EU

My, společnost Husqvarna, SE-561 82 Huskvarna, ŠVÉDSKO, zcela zodpovědně prohlašujeme, že příslušný výrobek:

Popis	Sněžová fréza
Značka	Husqvarna
Platforma / typ / model	ST 124
Šarže	Výrobní číslo od roku 2020 a dále

je zcela ve shodě s následujícími směrnicemi a předpisy EU:

Směrnice/předpis	Popis
2006/42/ES	„o strojních zařízeních“
2014/30/EU	„o elektromagnetické kompatibilitě“
2000/14/ES; 2005/88/ES	„o venkovním hluku“
2011/65/EU	„o omezení používání některých nebezpečných látek“

Platí následující harmonizované normy anebo technické specifikace: EN ISO 12100:2010, EN ISO 14982:2009, ISO 8437-1:2019, ISO 8437-2:2019, ISO 8437-4:2019, ISO 3744:1995, EN 1032:2003+A1:2008, EN 50581:2012

Deklarované úrovně hluku jsou uvedeny v části s technickými údaji této příručky a podepsaném prohlášení o shodě EU ve shodě se směrnicí 2000/14/ES a 2005/88/ES, příloha V.

Dodaná sněžová fréza je shodná se vzorkem, který prošel zkouškou.

Jménem společnosti Husqvarna AB, SE-561 82 Huskvarna, ŠVÉDSKO, 7. 2. 2020



Claes Losdal

Osoba odpovědná za shromáždění technických záznamů stanovených v rámci EU

---

# Indhold

---

Indledning.....	87	Fejlfinding.....	97
Sikkerhed.....	88	Transport, opbevaring og bortskaffelse.....	99
Montering.....	92	Tekniske data.....	100
Drift.....	93	EU-overensstemmelseserklæring.....	101
Vedligeholdelse.....	95		

---

## Indledning

---

### Produktoversigt

(Fig. 1)

1. Snegleindkobling
2. Omdrejningsreguleringsgreb
3. Betjeningspanel
4. Kabel til snegl
5. Greb til udkasterenhed
6. Udkasterdeflektor
7. Renseværktøj
8. Sneglehus
9. Snegle
10. Glideplade
11. Dæk
12. Oliepåfyldning
13. Motor
14. Nederste styr
15. Omdrejningsreguleringsstang
16. Drevkabel
17. Snorestarthåndtag
18. Drevtilkobling
19. Håndtag
20. Spædepumpe
21. Choker
22. Brændstofkontakt
23. Tænd/sluk-tast
24. Brugsanvisning

### Produktbeskrivelse

Produktet er en sneslynge, der bruges til at fjerne sne fra jorden.

### Anvendelsesformål

Produktet kan bruges til at fjerne sne fra marker, veje, stier og indkørsler. Det må ikke anvendes på skråninger, der hælder mere end 15 grader. Brug ikke produktet i områder, hvor der er meget skidt og snavs og sten, der stikker frem.

### Symbols on the product

---

**Bemærk:** If the decals on the product are damaged, contact the distributor to replace them.

---

- (Fig. 2) Warning.
- (Fig. 3) Read the operator's manual.
- (Fig. 4)
- (Fig. 5) Hot surface.
- (Fig. 6) Risk of fire.
- (Fig. 7) Choke.
- (Fig. 8) Pull starter rope handle.
- (Fig. 9) Do not breathe in the exhaust fumes from the engine.
- (Fig. 10) Do not put any part of the body into the chute deflector or the auger housing when the augers rotate.
- (Fig. 11) Stop the engine before you remove snow from the chute deflector. Use the clean-out tool to remove snow, do not do it by hand.
- (Fig. 12)
- (Fig. 11) Keep hands away from the chute deflector.
- (Fig. 13) Objects can be ejected from the product.
- (Fig. 14) Keep bystanders away from the product when operating.
- (Fig. 15) Remove key before maintenance.
- (Fig. 16) Push in the on/off key to the RUN position.
- (Fig. 17) Turn the fuel switch to the ON position.
- (Fig. 18) Push the primer.
- (Fig. 19) Risk of falling.

- (Fig. 20) Move slowly rearward.
- (Fig. 21) Use approved protective gloves.
- (Fig. 22) Use a protective helmet. Use approved hearing protection. Use approved eye protection.
- (Fig. 23) Noise emissions to the environment according to European Directive 2000/14/EC and New South Wales legislation "Protection of the Environment Operations (Noise Control) Regulation 2017". Noise emission data can be found on the machine label and in the Technical data chapter.
- (Fig. 24) European machinery directive for safety.

**Bemærk:** Other symbols/decals on the product refer to certification requirements for some markets.

## Euro V-emissioner



**ADVARSEL:** Ved manipulation af motoren bortfalder EU-typegodkendelsen af dette produkt.

## Sikkerhed

### Sikkerhedsdefinitioner

Definitionerne nedenfor angiver alvorsgraden for hvert enkelt signalord.



**ADVARSEL:** Skade på personer.



**BEMÆRK:** Beskadigelse af produktet.

**Bemærk:** Disse oplysninger gør det lettere at bruge produktet.

### Sikker betjening af sneslynger med gående fører

#### Generelt

Denne maskine kan amputere hænder og fødder og slynge ting ud. Du kan komme alvorligt til skade, hvis ikke du overholder de følgende sikkerhedsregler.

#### Undervisning

- Du skal have læst og forstået alle instrukser på maskinen og i vejledningen/vejledningerne, før du starter enheden. Sæt dig grundigt ind i den rette brug af maskinen og dens betjeningsfunktioner. Sørg for at vide, hvordan du hurtigt standser enheden og slår betjeningsfunktionerne fra.

### Producent

Husqvarna AB

Drottninggatan 2, SE-561 82 Huskvarna

### Produktansvar

Som nævnt i produktansvarsbestemmelserne hæfter vi ikke for skader forårsaget af vores produkt, hvis:

- produktet er forkert repareret.
- produktet er repareret med dele, der ikke er fra producenten eller ikke er godkendt af producenten
- produktet har tilbehør, der ikke er fra producenten eller ikke er godkendt af producenten.
- produktet ikke er repareret på et godkendt servicecenter eller af en godkendt myndighed.

- Tillad aldrig børn at bruge maskinen. Lad aldrig voksne betjene maskinen uden grundig instruktion.
- Hold arbejdsområdet fri for mennesker, især små børn.
- Pas på ikke at glide eller falde, især når maskinen kører baglæns.

#### Klargøring

- Undersøg grundigt det område, hvor maskinen skal bruges, og fjern alle måtter, kælke, snowboards, kabler og andre uvedkommende ting.
- Slå alle koblinger fra, og skift til frigear, før du starter motoren.
- Betjen ikke maskinen uden at være iført passende vinterpåkledning. Undgå løstsiddende tøj, der kan gribe fat i bevægelige dele. Brug skridsikkert fodtøj, så du står fast på glatte flader.
- Brug altid beskyttelsesbriller eller øjenværn under arbejdet, eller hvis du foretager justering eller reparation. Så er dine øjne beskyttet mod de fremmedlegemer, der evt. bliver kastet ud af maskinen.
- Håndtér brændstof med forsigtighed. Det er meget brandfarligt.
  - Brug en godkendt brændstoffunk.
  - Fyld aldrig brændstof på, når motoren kører eller er meget varm.
  - Påfyld brændstof udendørs og meget forsigtigt. Fyld aldrig tanken indendørs.
  - Fyld aldrig beholdere, mens de står i en bil eller på et lastbil- eller trailerlad med plastik indvendig.



Sæt altid beholderne på jorden, i god afstand af køretøjet, før du fylder dem.

- Tag så vidt muligt benzindrevet udstyr ned fra lastbilen eller traileren, og påfyld brændstof på jorden. Hvis det ikke er muligt: Brug en transportabel dunk til at tanke udstyret på traileren op, frem for benzinstanderens slangespids.
- Hold under hele påfyldningen slangespidsen så den altid rører kanten af brændstoftanken eller beholderens åbning. Tankpistolen må ikke låses fast i åben tilstand.
- Skru tanklåget godt fast, og tør spildt brændstof op.
- Hvis du spilder benzin på dit tøj, skal du skifte tøj med det samme.
- Følg producentens specifikationer for forlængerledninger og stik, når du bruger enheder med elektrisk startmotor.
- Justér opsamlarhusets højde for at rydde grus- eller skærveroverflader.
- Forsøg aldrig at ændre indstillinger, mens motoren kører (undtagen når producenten udtrykkelig har angivet det).

#### Drift

- Sæt ikke hænder eller fødder tæt ved eller under roterende dele. Hold altid afstand til udkastningsåbningen.
- Vær meget forsigtig, når du rydder eller passerer indkørsler, stier eller veje med grus. Vær opmærksom på skjulte farer eller ved betjening i nærheden af offentlige veje.
- Hvis du rammer et fremmedlegeme, skal du standse motoren, tage ledningen ud af tændrøret, koble ledningen fra elmotorerne, se sneslyngen grundigt efter for eventuelle skader og reparere skaden, før du igen starter og betjener sneslyngen.
- Hvis maskinen begynder at vibrere kraftigt, skal du standse motoren og kontrollere årsagen med det samme. Vibrationer er generelt en advarsel om problemer.
- Stands altid motoren, før du forlader arbejdsområdet, før du fjerner blokeringer i opsamleren eller kasteblæserhuset, og før du udfører reparationer, justeringer eller eftersyn.
- Kør ikke motoren indendørs, undtagen når den skal startes og til transport af sneslyngen ind eller ud af bygningen. Åbn dørene, udstødningsgasser er farlige.
- Vær ekstra forsigtig, når du arbejder på skrånende underlag.
- Start aldrig maskinen, uden at de nødvendige skærme og andet sikkerhedsudstyr er monteret og fungerer.
- Vend aldrig udkastet mod mennesker eller områder, hvor der kan ske skader på ting. Hold børn og andre væk.

- Overbelast ikke maskinens ydeevne ved at gå for hurtigt frem, når du rydder sne.
- Brug aldrig maskinen ved højt omdrejningstal på glatte flader. Se dig tilbage, og vær forsigtig, når maskinen arbejder i bakgear.
- Afbryd strømmen til opsamleren/kasteblæseren, når maskinen transporteres eller ikke bruges.
- Anvend kun redskaber og tilbehør, som er godkendt af producenten af maskinen (f.eks. hjulvægt, kontravægte og lignende).
- Betjen aldrig maskinen uden godt udsyn eller lys. Sørg for, at du kan stå fast, og hold godt fast i styret. Gå. Løb aldrig.
- Rør aldrig ved en varm motor eller lydtdæmper.

#### Sådan fjernes blokering i udkasterdeflektoren

- Den mest almindelige skade i forbindelse med sneslynger skyldes, at en hånd har været i kontakt med den roterende snegl i kasteblæseren. Brug aldrig hånden til at fjerne en blokering i udkasterdeflektoren.
- Sådan renses du røret:
  1. SLUK FOR MOTOREN!
  2. Vent 10 sekunder, så du er sikker på, at kasteblæseren er holdt op med at dreje.
  3. Brug altid et rensевærktøj, ikke hænderne.

#### Vedligeholdelse og opbevaring

- Kontrollér sikkerhedssplitter og andre bolte med korte mellemrum for at sikre, at de er spændt til, så udstyret er sikkert at arbejde med.
- Opbevar aldrig maskinen med brændstof i brændstoftanken inde i en bygning, hvor der er antændelseskilder som f.eks. vandvarmere, rumvarmere eller tørretumblere. Lad motoren køle af, inden maskinen opbevares i nogen form for indelukke.
- Se altid instruktionsbogen for vigtige oplysninger, hvis sneslyngen skal opbevares i en længere periode.
- Vedligehold eller udskift sikkerhedsmærkat efter behov.
- Kør maskinen et par minutter efter at have kastet sne for at forhindre, at opsamleren/kasteblæseren fryser til.
- Stands motoren, før du rengør, reparerer eller efterser sneslyngen. Se efter, at opsamleren/kasteblæseren og alle bevægelige dele er standset. Frakobl tændrørsledningen, og hold den væk fra tændrøret, så den ikke utilsigtet får motoren til at starte.

#### Generelle sikkerhedsinstruktioner

- Brug produktet korrekt. Forkert brug kan medføre personskader eller dødsfald. Brug kun produktet til de opgaver, der angives i denne vejledning. Brug ikke produktet til andre opgaver.

- Følg instruktionerne i denne vejledning. Overhold sikkerhedssymboler og sikkerhedsinstruktioner. Hvis operatøren ikke følger vejledningen og symbolerne, kan det medføre personskader, beskadigelse eller dødsfald.
- Smid ikke denne vejledning ud. Brug vejledningen til at samle, betjene og vedligeholde dit produkt. Brug vejledningen til korrekt monteret af udstyr og tilbehør. Brug kun godkendt udstyr og tilbehør.
- Brug ikke et beskadiget produkt. Overhold vedligeholdelsesskemaet. Udfør kun det vedligeholdelsesarbejde, du kan finde vejledning til i denne vejledning. Et godkendt servicecenter skal udføre alt andet vedligeholdelsesarbejde.
- Denne vejledning beskriver ikke alle situationer, der kan opstå, når du bruger produktet. Vær forsigtig og brug din sunde fornuft. Du må ikke bruge produktet eller foretage vedligeholdelse på produktet, hvis du ikke er sikker på, hvad du skal gøre. Snak med en produktexperte, forhandler, et serviceværksted eller et godkendt servicecenter for at få mere at vide.
- Fjern kablet fra tændrøret, før du samler produktet, sætter produktet til opbevaring eller foretager vedligeholdelse.
- Brug ikke produktet, hvis det er blevet ændret fra den oprindelige specifikation. Du må ikke ændre dele af produktet uden producentens godkendelse. Brug kun reservedele, der er godkendt af producenten. Forkert vedligeholdelse kan medføre personskader eller dødsfald.
- Indånd ikke dampe fra motoren. Langvarig indånding af motorens udstødningsgasser er sundhedsskadelig.
- Start ikke produktet indendørs eller i nærheden af brandfarligt materiale. Udstødningsgasserne er varme og kan indeholde gnister, der kan starte en brand. Utilstrækkelig luftstrøm kan forårsage personskader eller dødsfald på grund af kvælning eller kulilte.
- Motoren danner et elektromagnetisk felt, når du bruger dette produkt. Det elektromagnetiske felt kan beskadige medicinske implantater. Tal med din læge og producenten af det medicinske implantat, før du betjener produktet.
- Lad ikke børn betjene produktet. Lad ikke en person uden kendskab til vejledningen betjene produktet.
- Sørg for at overvåge personer med nedsat fysisk eller mental kapacitet, der bruger produktet. En voksen skal være til stede hele tiden.
- Læs produktet inde i områder, hvor børn og uautoriserede personer ikke kan få adgang.
- Produktet kan slynge genstande ud og forårsage skader. Overhold sikkerhedsinstruktionerne for at mindske risikoen for personskader eller dødsfald.
- Du må ikke gå væk fra produktet, når motoren er tændt.
- Brugeren af produktet er ansvarlig, hvis der sker et uheld.

- Før og mens du går baglæns, skal du tjekke bagud og ned, om der er børn, dyr eller andre risici, der kan forårsage, at du falder.
- Sørg for, at delene ikke er beskadigede, før du bruger produktet.
- Sørg for, at du som minimum er 15 m væk fra andre personer eller dyr, før du bruger produktet. Sørg for, at personer i det tilstødende område ved, at du bruger produktet.
- Overhold nationale eller lokale love. Visse love kan forhindre eller mindske brugen af produktet under nogle forhold.

## Undervisning

- Du skal have læst og forstået alle instrukser på maskinen og i vejledningen/vejledningerne, før du starter enheden. Sæt dig grundigt ind i den rette brug af udstyret og dets betjeningsfunktioner. Sørg for at vide, hvordan du hurtigt standser enheden og slår betjeningsfunktionerne fra.
- Lad aldrig børn betjene udstyret. Lad aldrig voksne betjene udstyret uden grundig instruktion.
- Hold arbejdsområdet fri for mennesker, især små børn.
- Pas på ikke at glide eller falde, især når sneslyngen kører baglæns.

## Sikkerhedsinstruktioner for drift

- Sæt ikke hænder eller fødder tæt ved eller under roterende dele. Hold altid afstand til udkastningsåbningen.
- Vær meget forsigtig, når du rydder eller passerer indkørsler, stier eller veje med grus. Hold et vågent øje med skjulte farer eller trafik.
- Hvis du rammer et fremmedlegeme, skal du standse motoren, tage ledningen ud af tændrøret, koble ledningen fra elmotorene, se produktet grundigt efter for eventuelle skader og reparere skaden, før du igen starter og betjener produktet.
- Hvis produktet begynder at vibrere kraftigt, skal du standse motoren og kontrollere årsagen med det samme. Vibrationer er generelt en advarsel om problemer.
- Stands altid motoren, før du forlader arbejdsområdet, før du fjerner blokeringer i snelegangen eller udkasterdeflektoren, og før du udfører reparationer, justeringer eller eftersyn.
- Stands motoren, og sørg for, at sneflen og alle bevægelige dele er standset, før du rengør, reparerer eller efterser produktet. Frakobl tændrørsledningen, og hold den væk fra tændrøret, så den ikke utilsigtet får motoren til at starte.
- Kør ikke motoren indendørs, undtagen når den skal startes og til transport af produktet ind eller ud af bygningen. Åbn dørene, udstødningsgasser er farlige.
- Vær ekstra forsigtig, når du arbejder på skrånende underlag.

- Start aldrig produktet, uden at de nødvendige skærme og andet sikkerhedsudstyr er monteret og fungerer.
- Vend aldrig udkasterdeflektoren mod mennesker eller områder, hvor der kan ske skader på ting. Hold børn og andre væk.
- Overbelast ikke produktets ydeevne ved at gå for hurtigt frem, når du rydder sne.
- Brug aldrig produktet ved højt omdrejningstal på glatte flader. Se dig tilbage, og vær forsigtig, når maskinen arbejder i bakgear.
- Afbryd strømmen til snelegene, når produktet transporteres eller ikke bruges.
- Anvend kun redskaber og tilbehør, som er godkendt af producenten af produktet (f.eks. hjulvægt, kontravægte og lignende).
- Betjen aldrig produktet uden godt udsyn eller lys. Sørg for, at du kan stå fast, og hold godt fast i styret. Gå. Løb aldrig.
- Rør aldrig ved en varm motor eller lyddæmper.

## Sikkerhed i arbejdsområdet

- Undersøg grundigt det område, hvor udstyret skal bruges, og fjern alle måtter, kælke, snowboards, kabler og andre uvedkommende ting.
- Slå alle koblinger fra, og skift til frigear, før du starter motoren.
- Betjen ikke produktet uden at være iført passende vinterpåkledning. Undgå løstsiddende tøj, der kan gribe fat i bevægelige dele. Brug skridsikkert fodtøj, så du står fast på glatte flader.
- Håndtér brændstof med forsigtighed. Det er meget brandfarligt.
  - Brug en godkendt brændstoffunk.
  - Fyld aldrig brændstof på, når motoren kører eller er meget varm.
  - Påfyld brændstof udendørs og meget forsigtigt. Fyld aldrig tanken indendørs.
  - Fyld aldrig beholdere, mens de står i en bil eller på et lastbil- eller trailerlad med plastik indvendig. Sæt altid beholderne på jorden, i god afstand af køretøjet, før du fylder dem.
  - Tag så vidt muligt benzindrevet udstyr ned fra lastbilen eller traileren, og påfyld brændstof på jorden. Hvis det ikke er muligt: Brug en transportabel dunk til at tanke udstyret på traileren op, frem for benzinstanderens slangespids.
  - Hold under hele påfyldningen slangespidsen så den altid rører kanten af brændstoffranken eller beholderens åbning. Tankpistolen må ikke låses fast i åben tilstand.
  - Skru tanklåget godt fast, og tør spildt brændstof op.
  - Hvis du spilder benzin på dit tøj, skal du skifte tøj med det samme.

- Følg producentens specifikationer for forlængerledninger og stik, når du bruger eldrevet udstyr eller udstyr med elektrisk startmotor.
- Justér snelegehusets højde for at rydde grus- eller skærveroverflader.
- Forsøg aldrig at foretage justeringer, mens motoren er i gang (bortset fra situationer, hvor dette udtrykkeligt anbefales af producenten).
- Brug altid beskyttelsesbriller eller øjenværn under arbejdet, eller hvis du foretager justering eller reparation. Så er dine øjne beskyttet mod de fremmedlegemer, der evt. bliver kastet ud af maskinen.

## Personligt beskyttelsesudstyr

Brug altid korrekt personligt beskyttelsesudstyr, når du bruger produktet. Det omfatter som minimum kraftigt fodtøj, beskyttelsesbriller og høreværn. Personbeskyttelsesudstyr udelukker ikke risikoen for skader, men det mindsker indvirkningen af skaderne i tilfælde af, at der skulle ske en ulykke.

- Brug altid beskyttelsesbriller eller øjenværn, når du arbejder med produktet eller foretager justeringer eller reparationer.
- Bær altid passende vinterbeklædning, når du betjener produktet.
- Brug altid kraftige og skridsikre støvler med god ankelstøtte, når du betjener produktet.
- Bær ikke løstsiddende tøj, der kan blive fanget i bevægelige dele.
- Brug godkendte beskyttelseshandsker, hvis nødvendigt. Det kan f.eks. være nødvendigt ved fastgørelse, undersøgelse eller rengøring af klingen.
- Brug altid godkendt høreværn, når du bruger produktet. Støj over længere perioder kan forårsage støjbetting høretab.

## Sikkerhedsanordninger på produktet

- Sørg for, at du regelmæssigt foretager vedligeholdelse af produktet.
  - Levetiden for produktet øges.
  - Risikoen for ulykker mindskes.

Lad en godkendt forhandler eller et godkendt servicecenter regelmæssigt undersøge produktet og udføre justeringer eller reparationer.

- Brug ikke et produkt, hvis beskyttelsesudstyret er beskadiget. Hvis produktet er beskadiget, skal du kontakte et godkendt servicecenter.

## Lyddæmper

Lyddæmperen sikrer et minimalt støjniveau og sender udstødningsgasserne væk fra føreren.

Brug ikke produktet, hvis lyddæmperen mangler eller er defekt. En defekt lyddæmper øger støjniveauet og risikoen for brand.



**ADVARSEL:** Lyddæmperen bliver meget varm under og efter brug, og når motoren kører i tomgang. Vær forsigtig i nærheden af brandfarlige materialer og/eller dampe for at forhindre brand.

## Brændstofsikkerhed



**ADVARSEL:** Læs følgende advarselinstruktioner, inden du bruger produktet.

- Start ikke produktet, hvis der er brændstof eller motorolie på produktet. Fjern uønsket brændstof/olie og lad produktet tørre.
- Hvis du får brændstof på dit tøj, skal du skifte tøj med det samme.
- Undgå at få brændstof på kroppen, da det kan forårsage personskader. Hvis du får brændstof på kroppen, skal du bruge sæbe og vand til at fjerne brændstoffet.
- Start ikke produktet, hvis motoren lækker. Undersøg regelmæssigt motoren for lækager.
- Vær forsigtig med brændstof. Brændstof er letantændeligt og dampe er eksplosive og kan medføre personskader eller dødsfald.
- Undgå at indånde brændstoffodampene, da det kan forårsage personskader. Sørg for, at der er tilstrækkelig luftstrøm.
- Ryg ikke i nærheden af brændstof eller motor.
- Anbring ikke varme genstande i nærheden af brændstof eller motor.
- Fyld ikke brændstof på, når motoren er tændt.
- Sørg for, at motoren er afkølet, inden du fylder brændstof på.
- Før du fylder brændstof på, skal du åbne brændstofftankens dæksel langsomt og forsigtigt udløse trykket.
- Fyld ikke brændstof på motoren i et indendørs område. Utilstrækkelig med luftstrøm kan forårsage personskader eller dødsfald på grund af kvælning eller kulilte.
- Spænd brændstofftankens dæksel helt. Hvis brændstofftankens dæksel ikke spændes, opstår der risiko for brand.

- Flyt produktet minimum 3 m / 10 ft fra det sted, hvor du fyldte tanken, før du starter det.
- Fyld aldrig brændstofftanken helt op. Varme får brændstoffet til at udvide sig. Sørg for at bevare ledig plads øverst i brændstofftanken.

## Advarsel om kemikalier



**ADVARSEL:** Motorens udstødning fra dette produkt indeholder kemiske stoffer, som delstaten Californien ved forårsager kræft, fosterskader og andre reproduktive defekter. Du kan finde flere oplysninger på [www.P65Warnings.ca.gov](http://www.P65Warnings.ca.gov).

## Sikkerhedsinstruktioner for vedligeholdelse



**ADVARSEL:** Læs følgende advarselinstruktioner, inden du bruger produktet.

- Udstødningsskasserne fra motoren indeholder kulilte, som er en lugtfri, giftig og meget farlig gasart. Undlad at starte motoren indendørs eller i lukkede rum.
- Før der udføres vedligeholdelse af produktet, standses motoren, og tændkablet tages af tændrøret.
- Brug beskyttelseshandsker, når du udfører vedligeholdelse på klingerne. Klingerne er meget skarpe, og du kan nemt komme til at skære dig.
- Tilbehør til og ændringer på produktet, som ikke er godkendt af producenten, kan medføre alvorlig personskade eller dødsfald. Undlad at ændre produktet. Brug altid reservedele, der er godkendt af producenten.
- Hvis vedligeholdelsen ikke udføres korrekt og regelmæssigt, øges risikoen for personskade og beskadigelse af produktet.
- Foretag kun den form for vedligeholdelse, der er beskrevet i denne brugervejledning. Al anden service skal udføres af et godkendt serviceværksted.
- Lad et godkendt serviceværksted foretage regelmæssig service af produktet.
- Udskift beskadigede, slidte eller defekte dele.

## Montering



**ADVARSEL:** Læs og forstå kapitlet om sikkerhed, før du monterer produktet.

### Sådan monteres håndtagene

1. Afmonter de 4 M8x25 flangebolte (A) fra huset.

2. Brug de 4 M8x25 flangebolte (A), de 4 fjederafstandsstykker (B) og de 4 flade afstandsstykker (C).
3. Monter det nederste håndtag (D) i de 2 huller på hver side af huset. (Fig. 25)
4. Brug de 3 M8x50-grebbolte (A), de 3 afstandsstykker (B), de 3 greb (C) og de 3 låsemøtrikker (D).
5. Monter det øverste håndtag med kontrolpanelet (E) på det nederste håndtag. (Fig. 26)

## Sådan samles udkasterdeflektoren

1. Fjern drejeskiven (B) og de 6 sekskantede flangebolte (D) fra huset.
2. Fastgør drejeskiven (B) og udkasterdeflektoren (A) på deflektorens fundament vha. 3 blokke (C).
3. Brug 6 sekskantede flangebolte (D) og 6 låsemøtrikker (E) til at låse blokkene (C). (Fig. 27)

## Sådan samles deflektorens drejehenhed

1. Saml den forreste ende af deflektorens drejehenhed.
2. Monter plastikbøsningen (B) på den forreste ende af deflektorens drejehenhed.
3. Fastgør deflektorens drejehenhed med 1 fladt afstandsstykke (A) og 1 stift (C). (Fig. 28)
4. Saml den bageste ende af deflektorens drejehenhed.
5. Brug 1 låsemøtrik M8 (A), 1 låsegreb af plast (B), 2 kurvede afstandsstykker (C) og 1 skrue niveau (D) til at samle deflektorens drejehenhed.
6. Brug en sekskantmøtrik M8 (E) til at fastgøre deflektorens drejehenhed (F) i hullerne i håndtaget. (Fig. 29)

## Sådan samles omdrejningsreguleringsstangen

1. Monter den lange, bøjede ende af omdrejningsreguleringsstangen (A) på

kontrolpanelet, og fastgør den med 1 fjeder til plejstangen (B), 1 fladt afstandsstykke (C) og 1 split (D). (Fig. 30)

2. Træk skifteforbindelsespladen (B) op, og monter den korte bøjede ende af omdrejningsreguleringsstangen (A). Fastgør omdrejningsreguleringsstangen (A) med 1 fladt afstandsstykke (C) og 1 split (D). (Fig. 31)
3. Træk om nødvendigt omdrejningsreguleringsstangen ud. Løsn låsemøtrikkerne på kabelstrammeren, og drej strammeren. Spænd strammeren tilbage til dens oprindelige placering for at opnå korrekt hastighedskontrol. Den oprindelige placering er markeret på gevindene. (Fig. 32)

## Sådan samles sneglen og drivkablerne

1. Fjern de 2 kabelbolte (B) fra kablerne (D).
2. Fastgør de 2 kabelbolte (B) til hullerne i venstre og højre håndtag (A). (Fig. 33)
3. Fastgør kablerne (D) til kabelboltene (B).
4. Tilslut og lås venstre og højre kabelgevindindsats (D) og kabelskruen (B), indtil toppen af messing-låsemøtrikken (C) flugter med mærket på gevindene (E).
5. Lås kablet med messing-låsemøtrikken (C).

---

## Drift

---



**ADVARSEL:** Inden betjening af produktet skal du omhyggeligt læse sikkerhedskapitlet og betjeningsvejledningen.

## Før du starter produktet

- Uvedkommende personer og dyr skal holdes væk fra arbejdsstedet.
- Udfør dagligt vedligeholdelsesarbejde. Se *Vedligeholdelsesskema på side 95*.
- Sørg for, at tændkablet sidder korrekt på tændrøret.
- Tilfør olie eller benzin, hvis det er nødvendigt. Se *Sådan fyldes motoren med olie på side 93*.

## Sådan fyldes motoren med olie



**BEMÆRK:** Drej ikke oliepinde, når du kontrollerer olien. Fyld ikke over dette mærke.

1. Fjern oliehætten, og rengør oliepinde. Se *Produktoversigt på side 87* for at se placeringen af oliepinde.
2. Tilfør olie op til det øverste mærke på oliepinde. Brug oliepinde til at udføre en kontrol af oliestanden med regelmæssige mellemrum.

3. Sæt oliedækslet på igen.

## Sådan påfyldes brændstof

Brug om muligt miljø-/alkylatbenzin. Hvis miljø-/alkylatbenzin ikke er tilgængeligt, skal du bruge blyfri benzin af god kvalitet. Brug benzin med et oktantal på 90 RON uden for Nordamerika (87 (R+M)/2 i Nordamerika) eller højere og med maksimalt 10 % ethanol (E10).



**BEMÆRK:** Brug ikke benzin med et oktantal mindre end 90 RON uden for Nordamerika (87 (R+M)/2 i Nordamerika). Det kan forårsage skader på produktet.

1. Åbn brændstoftankens dæksel langsomt for at aflaste trykket.
2. Påfyld brændstof langsomt med en benzindunk. Hvis du spilder brændstof, fjernes det med en klud. Lad resterende brændstof fordampe.
3. Rengør omkring brændstoftankens dæksel.
4. Spænd brændstoftankens dæksel helt. Hvis brændstoftankens dæksel ikke spændes, opstår der risiko for brand.

5. Flyt produktet minimum 3 m fra det sted, hvor du fyldte tanken, før du starter det.

## Sådan justeres udkasterdeflektoren

Den retning, som sneen skal slynges i, styres af udkasterdeflektorens drejehåndtag, som er monteret på håndtaget i venstre side.

1. Drej udkasterdeflektorens drejeenhed for at indstille drejeretningen for sneslyngen.
2. Drej udkasterdeflektorens drejeenhed med uret for at slynge sne mod højre.
3. Drej udkasterdeflektorens drejeenhed mod uret for at kaste sne mod venstre. (Fig. 34)
4. Flyt vinkeludkasteren op eller ned for at justere, hvor langt sneen slynges væk. (Fig. 35)

## Sådan startes motoren

1. Udløs drevtilkoblingen. Sæt omdrejningsreguleringsgrebet i den første position.
2. Flyt brændstoffkontakten til positionen ON. (Fig. 36)
3. Drej chokeren til positionen "CLOSE". (Fig. 37)
4. Skub tænd/sluk-nøglen til positionen RUN. (Fig. 38)
5. Tryk på spædepumpen 1-3 gange for at starte hjælpepumpen. Brug hjælpepumpen til koldstart ved lave temperaturer. (Fig. 39)
6. Træk i snorestarthåndtaget. (Fig. 40)



**BEMÆRK:** Udløs ikke snorestarthåndtaget hurtigt. Flyt den langsomt tilbage til startpositionen.

**Bemærk:** Hvis snorestarthåndtaget er frosset, skal du langsomt trække så meget snor ud af starteren som muligt og derpå slippe snorestarthåndtagets håndtag. Hvis motoren ikke starter, skal du gentage proceduren eller bruge den elektriske starter.

7. Kør motoren 30-40 sekunder i tomgang, før du begynder at slynge sne.
8. Når motoren er varm, skal chokeren langsomt sættes i ÅBEN position. (Fig. 41)

## Sådan startes motoren, elektrisk start



**ADVARSEL:** Produktet har en 230 volt A.C. elektrisk starter. Brug ikke den elektriske starter, hvis dit hus ikke har et 230 volt vekselstrømssystem med korrekt jordforbindelse. Der kan forekomme alvorlige personskader eller beskadigelse af produktet. Den elektriske starter har et strømstik med tre ledere og er designet til at bruge 230 volt A. C. husholdningsstrøm. Sørg for, at dit hus har et 230 volt vekselstrømssystem med korrekt jordforbindelse. Hvis du er i tvivl, skal du søge råd hos en autoriseret elektriker.

**Bemærk:** Brug en forlængerledning, der anbefales til udendørs brug, og som har ledningsstørrelse mindst 16 AWG (1,5 mm<sup>2</sup>) og ikke er længere end 15 meter.

1. Udløs drevtilkoblingen. Sæt omdrejningsreguleringsgrebet i den første position.
2. Flyt brændstoffkontakten til positionen ON. (Fig. 36)
3. Drej chokeren til positionen "CLOSE". (Fig. 37)
4. Skub tænd/sluk-nøglen til positionen RUN. (Fig. 38)
5. Tryk på spædepumpen 1-3 gange for at starte hjælpepumpen. Brug hjælpepumpen til koldstart ved lave temperaturer. (Fig. 39)
6. Tilslut produktet til en strømkilde. (Fig. 42)
7. Tryk på knappen start på styreboksen, og hold den nede i 5 sekunder. (Fig. 43)
8. Hvis motoren ikke starter, skal du vente 5 sekunder og derefter trykke på startknappen igen.



**BEMÆRK:** Forsøg ikke at starte motoren mere end 10 gange. Efter 10 gange skal du vente 40 minutter, før du prøver igen.

9. Tag netledningen ud af produktet, når motoren startes.
10. Kør motoren 30-40 sekunder i tomgang, før du begynder at slynge sne.
11. Når motoren er varm, skal chokeren langsomt sættes i ÅBEN position. (Fig. 41)

## Betjening af produktet

1. Du aktiverer sneglen ved at skubbe snegletilkoblingen på håndtaget for at aktivere sneglen og slynge sne. (Fig. 44)
2. Flyt omdrejningsreguleringsgrebet til venstre for at betjene produktet fremad. Flyt omdrejningsreguleringsgrebet til højre for at betjene produktet bagud. (Fig. 45)
3. Betjen drevtilkoblingen med det højre håndtag.
4. Klem drevtilkoblingen til håndtaget sammen for at aktivere drivhjulene. Produktet bevæger sig fremad eller bagud afhængigt af placeringen af omdrejningsreguleringsgrebet. (Fig. 46)

## Sådan standses produktet

**Bemærk:** For at slukke motoren i en nødsituation skal du trække tændingsnøglen ud.

1. Udløs drevtilkoblingen for at standse drivhjulene.
2. Udløs snegletilkoblingen for at frakoble sneglen og standse med at slynge sne. (Fig. 47)
3. Flyt brændstoffkontakten til positionen OFF. (Fig. 48)
4. Træk tændingsnøglen ud. (Fig. 49)

## Sådan opnår du et godt resultat

- Lad altid motoren køre ved fuld gas eller tæt ved fuld gas.
- Tilpas altid hastigheden på produktet til snesituationen, og justér hastigheden med omdrejningsreguleringsgrebet. Sørg for, at produktet slynger sne jævnt.
- Det er nemmere og mere effektivt at fjerne sne, umiddelbart efter at det er faldet.
- Ryd så vidt muligt sne i rygvind.
- På flade overflader, f.eks. asfalterede veje, skal glidepladerne hæves op til 5-6 mm fra jorden.
- Skrabebledet kan vendes. Når det bliver slidt og nærmer sig kanten af huset, skal det vendes. Udskift skrabebledet, hvis det er beskadiget, eller hvis begge sider er slidte.
- Start ikke udkasterdeflektoren, hvis den er tilstoppet.
- Hvis produktet ikke bevæger sig fremad på grund af uforudsete omstændigheder, skal du slippe drevtilkoblingen med det samme eller sætte ON/OFF-nøglen i positionen "OFF".

## Vedligeholdelse

### Vedligeholdelsesskema

Vedligeholdelse	Hver dag	20 timer	50 timer	100 timer
Sørg for, at møtrikker og skruer er strammede	X			
Udfør en kontrol af motoroliestanden	X			
Udskift olie <sup>31</sup>		X	X	X
Sørg for, at der ikke er brændstof- eller olielækager	X			
Fjern tilstopninger, fremmedlegemer i sneglen	X			
Kontroller dæktrykket <sup>32</sup>			X	
Kontrollér og rengør tændrøret. <sup>33</sup>				X

**Bemærk:** Det er ikke nødvendigt at tilføre fedt eller udføre anden vedligeholdelse af gearkassen.

### Sådan udføres et generelt eftersyn

- Sørg for, at alle møtrikker og skruer på produktet er spændt korrekt.

### Sådan kontrolleres oliestanden



**BEMÆRK:** Hvis olieniveaet er for lavt, kan det medføre motorskader. Kontroller oliestanden, før du starter produktet.

1. Anbring produktet på et plant underlag.
2. Afmonter olietankens dæksel, hvorpå olieinden sidder.
3. Tør olien af olieinden.
4. Stik olieinden helt ned i olietanken for at få et korrekt billede af oliestanden.
5. Fjern olieinden.
6. Kontroller oliestanden på måleinden.
7. Hvis oliestanden er lav, skal der efterfyldes med motorolie, og foretag derefter en kontrol af oliestanden igen.

<sup>31</sup> Udskift olien efter de første 20 timer, 50 timer og derefter for hver 100 timer.

<sup>32</sup> Se de tekniske data for korrekt dæktryk.

<sup>33</sup> Efterse og rengør tændrøret før brug hvert år.

## Sådan udskiftes motorolien

1. Lad motoren køre nogle minutter for at gøre olien varm. Varm olie er mere letflydende og tager flere urenheder med.



**ADVARSEL:** Motorolien er varm. Undgå at få brugt motorolie på huden.

2. Anbring produktet på et plant underlag.
3. Lad motoren køre, indtil den løber tør for brændstof.
4. Fjern tændingsnøglen.
5. Sæt en beholder under olieaftapningsproppen.
6. Tag olieaftapningsproppen af, vip produktet, og tøm den brugte olie i beholderen. (Fig. 50)
7. Sæt produktet tilbage i driftspositionen.
8. Monter olieaftapningsproppen, og spænd den fast manuelt.
9. Fyld motoren med olie, se *Sådan fyldes motoren med olie på side 93*.

## Sådan undersøger du tændrøret



**BEMÆRK:** Brug altid anbefalet tændrørstype. Forkert tændrørstype kan forårsage skader på produktet.

- Undersøg tændrøret, hvis motoren mangler kraft, ikke starter nemt eller ikke fungerer korrekt i tomgangshastighed.
- Sådan mindsker du risikoen for uønsket materiale på tændrørets elektroder, følg disse instruktioner:
  - a) Sørg for, at omdrejningstallet i tomgang er indstillet korrekt.
  - b) Sørg for, at brændstoffypen er korrekt.
  - c) Sørg for, at luftfilteret er rent.
- Hvis tændrøret er beskadigt, skal det renses, og samtidig skal det kontrolleres, at elektrodeafstanden er korrekt, se *Tekniske data på side 100*. (Fig. 51)
- Udskift tændrøret, når det er nødvendigt.

## Sådan kontrolleres sneglene og skrabebladet

1. Før hver brug skal du kontrollere sneglene og skrabebladet for slitage.
2. Hvis kanten af skrabebladet er slidt, skal du vende det om. Hvis skrabebladet har skader eller er slidt på begge kanter, skal det udskiftes.
3. Hvis kanterne på sneglene er slidte, skal du kontakte en autoriseret forhandler for at udskifte dem.

## Sådan justeres friktionspladerne.

Friktionspladerne forhindrer, at bunden af sneslyngen beskadiges. Juster friktionspladerne (A), når låsemøtrikken (B) er løs, eller friktionspladen ikke er i

den rigtige afstand fra jorden. Justering er ikke nødvendig ved en normal installation.

1. Løsn låsemøtrikken (B) ved hjælp af en 13 mm (1/2") åben topnøgle.
2. Flyt friktionspladerne (A) op eller ned.
  - a) På plane overflader skal afstanden mellem skrabeblad og jord indstilles til 5-6 mm (0,2-0,25").
  - b) På ujævne overflader skal friktionspladerne (A) indstilles til en position, hvor skrabebladet er over toppen af jorden.



**ADVARSEL:** Sørg for, at grus og sten ikke kommer ind i produktet. Genstande, der udslynges ved høj hastighed, kan forårsage skader.

3. Spænd låsemøtrikken (B). (Fig. 52)

## Sådan udskiftes sikkerhedsstiften

Sikkerhedsstiften beskytter produktet mod skader. Den går i stykker, hvis et fremmedlegeme kommer ind i de bevægelige dele.

1. Hvis sikringsstiften går i stykker, skal motoren standses.
2. Fastgør en ny sikringsstift (A) og en ny spændefjeder (B). (Fig. 53)

## Sådan kontrolleres dækkene

- Hold dækkene fri for brændstof, olie og kemikalier for at forhindre, at gummit bliver beskadiget.
- Hold dækkene væk fra træstubbe, sten, spor, skarpe genstande og andre genstande, der kan beskadige dækkene.
- Oprethold korrekt dæktryk, se *Tekniske data på side 100*.

## Sådan renses en tilstoppet deflektor på udkasteslisken

Fjern ikke tilstopninger i deflektoren på udkasteslisken, før følgende handlinger er udført.

1. Slip snegletilkoblingen og drevtilkoblingen samtidigt.
2. Vent 10 sekunder for at sikre, at sneglene er stoppet.
3. Stands produktet.
4. Brug rens værktøjet (mindst 37 cm (15") langt, medfølger nogle modeller) for at fjerne tilstopninger.



**ADVARSEL:** Sæt ikke hænderne ind i deflektoren på udkasteslisken eller i sneglespanden.

## Sådan rengøres produktet

- Rengør plastdele med en ren og tør klud.
- Brug ikke en højtryksrensers til at rengøre produktet.



## Fejlfinding

### Fejlfinding

Problem	Mulig årsag	Løsning
Produktet starter ikke	Sikkerhedstændingsnøglen ikke isat.	Sæt sikkerhedstændingsnøglen i.
	Produktet er løbet tør for brændstof.	Fyld brændstoftanken med nyt, rent benzin.
	Tændingsnøglen er i positionen OFF.	Tændingsnøglen i positionen ON.
	Chokeren i positionen OFF (CLOSE).	Sæt chokeren i positionen ON (FULL, OPEN).
	Spædepumpen er ikke trykket ned.	Tryk på spædepumpen.
	Motoren er druknet.	Vent et par minutter før genstart, brug IKKE spædepumpen.  Genstart motoren med fuld gas og chokeren i positionen OFF (CLOSE).
	Tændrørskablet er ikke tilsluttet.	Slut kablet til tændrøret.
	Tændrøret er beskadiget.	Udskift tændrøret.
	Der er vand i brændstoffet, eller brændstoffet er for gammelt.	Tøm brændstoftanken og karburatoren. Fyld brændstoftanken med nyt, rent benzin.
	Der er damp i brændstofføforslen.	Sørg for, at brændstofføforslen er under brændstoftankens udløb. Brændstofføforslen skal løbe konstant ned fra brændstoftanken til karburatoren.
	Andre årsager.	Kontrollér omhyggeligt startprocedurerne i denne vejledning.
	Brændstoffkontakten (hvis monteret) er i positionen CLOSE (slukket).	Drej brændstoffkontakten til positionen OPEN (ON).
Gashåndtaget i positionen STOP.	Flyt gashåndtaget til positionen FAST.	

<b>Problem</b>	<b>Mulig årsag</b>	<b>Løsning</b>
Reduceret effekt	Tændrørskablet er ikke tilsluttet.	Slut kablet til tændrøret.
	Produktet slynger for meget sne.	Sænk hastigheden og bredden af skåret.
	Brændstoftankens dæksel er dækket af is eller sne.	Fjern isen og sneen på og omkring brændstoftankens dæksel.
	Lyddæmperen er snavset eller tilstoppet.	Rengør eller udskift lyddæmperen.
	Forkert kabellængde.	Justér kablet.
	Lyddæmperen er blokeret.	Sørg for, at motoren er afkølet. Fjern blokeringen.
	Luftindtaget på karburatoren er blokeret.	Sørg for, at motoren er afkølet. Fjern blokeringen.
Motoren kører i tomgang eller kører ujævnt	Chokeren i positionen ON (FULL, OPEN).	Sæt chokeren i positionen OFF (CLOSE).
	Brændstoffilførslen er tilstoppet.	Rengør brændstoffilførslen.
	Der er vand i brændstoffet, eller brændstoffet er for gammelt.	Tøm brændstoftanken og karburatoren. Fyld brændstoftanken med nyt, rent benzin.
	Karburatoren skal udskiftes.	Kontakt et godkendt servicecenter.
	Remmen er overbelastet.	Udskift sneglens kilerem.
Kraftig vibration/håndtaget bevæger sig	Nogle dele er løse. Sneglene er beskadigede.	Spænd alle bolte, skruer og møtrikker. Udskift beskadigede dele. Hvis vibrationerne fortsætter, skal du kontakte et autoriseret serviceværksted.
	Håndtagene er ikke placeret korrekt.	Sørg for, at håndtagene er låst på plads.
	Møtrikkerne på justeringshåndtaget er løse.	Spænd møtrikkerne, indtil håndtaget føles fastgjort.
Snorestarthåndtaget er svært at trække	Snorestarthåndtag er frosset.	Træk langsomt så meget snor ud af starteren som muligt, og slip snorestarthåndtaget. Hvis motoren ikke starter, skal du gentage proceduren eller bruge den elektriske starter.
	Snoren støder sammen med komponenter.	Startsnoren må ikke røre kabler og slanger.

Problem	Mulig årsag	Løsning
Tab af træk/nedsættelse af kørehastighed  Tab af sneudkast eller nedsættelse af sneudkast	Remmen glider.	Justér kablet. Justér remmen.
	Remmen er slidt.	Kontrollér/udskift remmen.
	Remmen sikker ikke på remskiven.	Kontrollér/genmonter remmen.
	Udkasterdeflektoren er tilstoppet.	Rengør udkasterdeflektoren.
	Fremmedlegemer tilstopper sneglene.	Fjern snavs eller fremmedlegemer fra sneglene.
	Sikkerhedsstiften er knækket.	Udskift den ødelagte sikkerhedsstift.
	Sne og is ophobes mellem sporkomponenterne.	Fjern ophobning af sne og is fra sporkomponenterne.
	Friktionsdrivhullet er slidt.	Kontakt et godkendt servicecenter.
Fejl på sneglerotationen efter at håndtaget slippes	Drivremmen er ikke justeret.	Justér drivremmen
	Tømningsdeflektoren er ikke justeret.	Justér tømningsdeflektoren.
Lysene er ikke tændte (hvis monteret)	Motoren kører ikke.	Start motoren.
	Kabelforbindelsen er løs.	Kontrollér kabelforbindelserne til motoren og lysene.
	LED-lyset er brændt sammen.	Udskift LED-lysmodulet. Enkelte LED-lys kan ikke udskiftes.
Udkasterrøret er vanskeligt at flytte	Der er snavs i udkasterrørmekanismen.	Rengør de indvendige dele af udkasterrørmekanismen.
	Kablerne er bøjede eller beskadigede.	Sørg for, at kablerne ikke er bøjede. Udskift kabler, der er beskadigede.
Produktet drejer til den ene side	Dæktrykket er ikke ens.	Justér dæktrykket og fyld dækket.
	Produktet kører kun med et hjul.	Kontrollér dækkets låsestift.
	Ujævn slædejustering.	Justér glidepladerne og slæden.
	Ujævn justering af glidepladerne.	Justér glidepladerne og slæden.

## Transport, opbevaring og bortskaffelse

### Transport og opbevaring

- Ved opbevaring og transport af produktet og brændstoffet, skal du sørge for, at der ikke er utætheder eller dampe. Gnister eller åben ild, f.eks. fra elektriske enheder eller kedler, kan starte en brand.
- Brug altid godkendte beholdere til opbevaring og transport af brændstof.
- Tøm brændstoftanken, inden du stiller produktet væk i en længere periode.
- Hvis karburatoren har en drænprop, skal du tømme karburatoren for brændstof, før du stiller produktet til opbevaring i længere tid.

- Fastgør produktet sikkert under transport for at undgå skader og uheld.
- Opbevar produktet i et aflåst område utilgængeligt for børn eller personer, som ikke er godkendt.
- Opbevar produktet på et tørt og frostfrit sted.

### Bortskaffelse

- Overhold de lokale krav og gældende regler.
- Bortskaf alle kemikalier, som f.eks. motorolie eller brændstof, hos et servicecenter eller på en lokal miljøstation.
- Bortskaf produktet på et godkendt bortskaffelsessted, eller send det til Husqvarna mhp. bortskaffelse.

## Tekniske data

### Tekniske data

<b>ST 124</b>	
<b>Dimensioner</b>	
Vægt, med tomme tanke, kg	76
Maks. driftsdæktryk, PSI	20
Indsugningshøjde, cm	53,3
Arbejdsbredde, cm	61
<b>Motor</b>	
Mærke	Husqvarna
Nominal motoreffekt, kW	4,3
Cylindervolumen, cc	212
Brændstoftype	Almindelig blyfri (maks. 10 % ethanol)
Brændstofkapacitet, gal/l	0,58/2,2
Olietype (API S-J-SN)	SAE 5W30 (under 0 °C (32 °F))
Oliekapacitet fl. oz./l	20/0,6
<b>Elektrisk system</b>	
Tændrør	F7RTC
Tændrørs elektrodeafstand, (in/mm)	0,027-0,031 / 0,7-0,8
<b>Støjemissioner<sup>34</sup></b>	
Lydeffektniveau, målt dB(A)	100
Lydeffektniveau, garanteret L <sub>WA</sub> dB(A)	102
<b>Lydniveauer<sup>35</sup></b>	
Lydtrykniveau ved brugerens øre, målt L <sub>p</sub> , dB(A)	86
<b>Vibrationsniveauer, a<sub>hved</sub><sup>36</sup></b>	
Vibrationsniveau på håndtaget, venstre/højre	4,15/4,08

<sup>34</sup> Emission af støj til omgivelserne målt som lydeffekt (L<sub>WA</sub>) i henhold til EF-direktiverne 2000/14/EF og 2005/88/EF. Rapporerede data for lydemissioner har en typisk statistisk spredning (standardafvigelse) på 1,5 dB (A). Usikkerhed = 1,5 dB (A)

<sup>35</sup> Lydtryksniveau iht. EN ISO 11201. Rapporerede data for lydtryksniveau har en typisk statistisk spredning (standardafvigelse) på 1,5 dB (A). Usikkerhed = 1,5 dB (A)

<sup>36</sup> Vibrationsniveau i henhold til ISO 8437-4 bilag B. Usikkerhed = 1,5 m/s<sup>2</sup>

---

# EU-overensstemmelseserklæring

---

## INDHOLD I EF-OVERENSSTEMMELSESERKLÆRING

Vi, Husqvarna, SE-561 82 Huskvarna, SVERIGE, erklærer under eget ansvar, at det repræsenterede produkt:

Beskrivelse	Sneslynge
Mærke	Husqvarna
Platform / type / model	ST 124
Batch	Serienumre fra 2020 og fremefter

overholder følgende EU-direktiver og bestemmelser:

Direktiv/bestemmelser	Beskrivelse
2006/42/EF	"vedrørende maskiner"
2014/30/EU	"vedrørende elektromagnetisk kompatibilitet"
2000/14/EF; 2005/88/EF	"vedrørende udendørs støj"
2011/65/EU	"begrænsning af anvendelsen af visse farlige stoffer"

Harmoniserede standarder og/eller tekniske specifikationer anvendt er følgende: EN ISO 12100:2010, EN ISO 14982:2009, ISO 8437-1:2019, ISO 8437-2:2019, ISO 8437-4:2019, ISO 3744:1995, EN 1032:2003+A1:2008, EN 50581:2012

I overensstemmelse med direktiv 2000/14/EC +2005/88/EF, bilag V, er de erklærede lydverdier angivet i afsnittet om tekniske data i denne manual og i den underskrevne EF-overensstemmelseserklæring.

Den leverede sneslynge stemmer overens med det eksemplar, der har gennemgået typegodkendelsen.

På vegne af Husqvarna AB, SE-561 82 Huskvarna, SVERIGE, 2020-02-07



Claes Losdal

Person, der er ansvarlig for at udarbejde det tekniske dossier inden for EU

---

# Inhoud

---

Inleiding.....	102	Probleemoplossing.....	113
Veiligheid.....	103	Vervoer, opslag en verwerking.....	115
Montage.....	108	Technische gegevens.....	116
Werking.....	109	EG verklaring van overeenstemming.....	118
Onderhoud.....	111		

---

## Inleiding

---

### Productoverzicht

(Fig. 1)

1. Inschakeling van de vijzel
2. Besturingshendel rijsnelheid
3. Bedieningspaneel
4. Vijzelkabel
5. Regeling van uitworprotor
6. Deflector
7. Reinigingstool
8. Vijzelbehuizing
9. Vijzels
10. Glijplaat
11. Band
12. Olievulling
13. Motor
14. Onderste handgreep
15. Besturingsstang rijsnelheid
16. Aandrijfkabel
17. Terugloopstarthendel
18. Inschakeling van de aandrijving
19. Handgrepen
20. Ontstekingspatroon
21. Choke
22. Brandstofsckakelaar
23. Aan/uit-sleutel
24. Gebruikershandleiding

### Productbeschrijving

Dit product is een sneeuwruimer waarmee sneeuw van de grond kan worden verwijderd.

### Gebruik

Dit product kan worden gebruikt om sneeuw te verwijderen van velden, wegen, paden en opritten. Gebruik het niet op hellingen met een grotere hellingshoek dan 15°. Gebruik het product niet op terreinen waar veel puin, vuil en uitstekende stenen aanwezig zijn.

### Symbols on the product

---

**Let op:** If the decals on the product are damaged, contact the distributor to replace them.

---

- (Fig. 2) Warning.
- (Fig. 3) Read the operator's manual.
- (Fig. 4)
- (Fig. 5) Hot surface.
- (Fig. 6) Risk of fire.
- (Fig. 7) Choke.
- (Fig. 8) Pull starter rope handle.
- (Fig. 9) Do not breathe in the exhaust fumes from the engine.
- (Fig. 10) Do not put any part of the body into the chute deflector or the auger housing when the augers rotate.
- (Fig. 11) Stop the engine before you remove snow from the chute deflector. Use the clean-out tool to remove snow, do not do it by hand.
- (Fig. 12)
- (Fig. 11) Keep hands away from the chute deflector.
- (Fig. 13) Objects can be ejected from the product.
- (Fig. 14) Keep bystanders away from the product when operating.
- (Fig. 15) Remove key before maintenance.
- (Fig. 16) Push in the on/off key to the RUN position.
- (Fig. 17) Turn the fuel switch to the ON position.
- (Fig. 18) Push the primer.
- (Fig. 19) Risk of falling.

- (Fig. 20) Move slowly rearward.
- (Fig. 21) Use approved protective gloves.
- (Fig. 22) Use a protective helmet. Use approved hearing protection. Use approved eye protection.
- (Fig. 23) Noise emissions to the environment according to European Directive 2000/14/EC and New South Wales legislation "Protection of the Environment Operations (Noise Control) Regulation 2017". Noise emission data can be found on the machine label and in the Technical data chapter.
- (Fig. 24) European machinery directive for safety.

**Let op:** Other symbols/decals on the product refer to certification requirements for some markets.

## Euro V-emissies



**WAARSCHUWING:** De EU-typegoedkeuring van dit product vervalt als ongeoorloofde

## Veiligheid

### Veiligheidsdefinities

De onderstaande definities geven de mate van ernst weer voor elk trefwoord.



**WAARSCHUWING:** Letsel aan personen.



**OPGELET:** Schade aan het product.

**Let op:** Deze informatie maakt het product eenvoudiger in gebruik.

## Bedieningsinstructies voor veilig gebruik van duwsneeuwblazers

### Algemeen

Deze machine kan handen en voeten amputeren en voorwerpen wegslingeren. Het niet in acht nemen van de volgende veiligheidsinstructies kan ernstig letsel tot gevolg hebben.

### Opleiding

- U dient alle instructies op de machine en in de handleiding(en) te lezen, te begrijpen en op te volgen alvorens de machine in gebruik te nemen. Zorg ervoor dat u volledig vertrouwd bent met de bedieningselementen en het juiste gebruik van de

wijzigingen aan de motor aangebracht worden.

## Fabrikant

Husqvarna AB

Drottninggatan 2, SE-561 82 Huskvarna

## Productaansprakelijkheid

Zoals uiteengezet in de wet voor productaansprakelijkheid zijn wij niet aansprakelijk voor schade die door ons product wordt veroorzaakt, indien:

- het product niet goed is gerepareerd.
- het product is gerepareerd met onderdelen die niet van de fabrikant afkomstig zijn, of onderdelen die niet zijn goedgekeurd door de fabrikant.
- het product een accessoire bevat dat niet afkomstig is van de fabrikant of niet is goedgekeurd door de fabrikant.
- het product niet is gerepareerd door een erkend servicepunt of door een erkende autoriteit.

machine. Zorg ervoor dat u weet hoe u de machine snel moet stoppen en de bedieningselementen moet uitschakelen.

- Laat de machine nooit door kinderen bedienen. Laat volwassenen de machine nooit gebruiken als zij niet goed in het gebruik ervan zijn geïnstrueerd.
- Laat geen mensen toe in uw werkgebied; dit geldt vooral voor kleine kinderen.
- Voorkom dat u uitglijdt of valt, met name als u de machine in haar achteruit gebruikt.

### Vorbereiding

- Onderwerp het gebied waar de machine gebruikt gaat worden aan een grondige inspectie en verwijder alle deurmatten, sleeën, ski's, draden en andere voorwerpen.
- Ontkoppel alle koppelingen en plaats de machine in de neutrale stand alvorens de motor te starten.
- Gebruik de machine niet wanneer u geen geschikte winterkleding draagt. Draag geen wijde kleding die verstrikt kan raken in bewegende delen. Draag schoeisel dat de stabiliteit op gladde oppervlakken verbetert.
- Draag tijdens het gebruik of bij het afstellen of repareren van de machine altijd een veiligheidsbril of een gelaatsscherm, om de ogen te beschermen tegen voorwerpen die mogelijk uit de machine worden geworpen.
- Ga voorzichtig om met brandstof; deze is uiterst brandbaar.

- Gebruik een jerrycan die is goedgekeurd voor brandstoffen.
  - Tank de machine nooit af bij draaiende motor of als de motor nog heet is.
  - Tank de machine altijd buiten af en ga hierbij uiterst zorgvuldig te werk. Tank de machine nooit binnen af.
  - Vul jerrycans nooit binnen een voertuig of op de vloer van een vrachtwagen of aanhanger als deze met kunststof is afgewerkt. Zet jerrycans vóór het vullen altijd op de grond, uit de buurt van uw auto.
  - Plaats als dit praktisch mogelijk is, op benzine draaiende machines eerst van de vrachtwagen of aanhanger op de grond en tank de machines op de grond af. Als dit niet mogelijk is, verdient het de voorkeur de machines op een aanhanger af te tanken met behulp van een draagbare jerrycan in plaats van rechtstreeks via het vulpistool van een benzinepomp.
  - Houd de tuit voortdurend in contact met de rand van de brandstoftank of de jerrycanopening, totdat het aftanken is voltooid. Gebruik geen automatische sluitklep.
  - Plaats de benzinedop zorgvuldig terug en neem gemorste brandstof op.
  - Als u brandstof op uw kleding knoeit, trek dan onmiddellijk andere kleding aan.
  - Gebruik voor alle machines met elektrische startmotor verlengkabels en contactdozen zoals gespecificeerd door de fabrikant.
  - Stel de hoogte van de opvangbakbehuizing zodanig af dat deze een oppervlak van grind of gebroken steenslag niet raakt.
  - Probeer nooit instellingen te wijzigen terwijl de motor loopt (behalve wanneer dit specifiek door de fabrikant wordt geadviseerd).
- rotorbehuizing of uitworptrechter schoonmaakt en tijdens het repareren, afstellen of inspecteren van de machine.
- Laat de motor niet binnen lopen, behalve bij het starten van de motor en voor het transport van sneeuwblazer in of uit het gebouw. Open de buitendeuren; uitlaatgassen zijn gevaarlijk.
  - Ga uiterst behoedzaam te werk als u de machine op hellingen gebruikt.
  - Gebruik de machine nooit zonder dat de juiste beschermkappen en andere veiligheidsvoorzieningen zijn aangebracht en functioneren.
  - Richt de uitworp nooit op mensen of op plaatsen waar schade aan eigendommen kan ontstaan. Houd kinderen en andere personen uit de buurt.
  - Verg niet te veel van de capaciteit van de machine door te veel sneeuw tegelijk te willen verwijderen.
  - Gebruik de machine nooit bij te hoge transportsnelheden op gladde oppervlakken. Kijk achterom en ga behoedzaam te werk als u de machine in zijn achteruit gebruikt.
  - Ontkoppel de voeding naar de opvangbak/rotor als de machine wordt getransporteerd of niet in gebruik is.
  - Gebruik uitsluitend hulpstukken en accessoires die zijn goedgekeurd door de fabrikant van de machine (zoals wielvervaarders, contragewichten of cabines).
  - Gebruik de machine nooit zonder goed zicht of licht. Zorg er altijd voor dat u stevig staat en de hendels stevig vasthoudt. U dient uitsluitend te lopen, nooit te rennen.
  - Raak een hete motor of demper nooit aan.

#### Een verstopte uitworptrechter schoonmaken

- Handcontact met de draaiende rotor binnen de uitworptrechter is de meest voorkomende oorzaak van letsel in combinatie met sneeuwblazers. Gebruik nooit uw handen om de uitworp schoon te maken.
- Ga voor het schoonmaken van de uitworp als volgt te werk:
  1. SCHAKEL DE MOTOR UIT!
  2. Wacht tien seconden om er zeker van te zijn dat de rotorbladen niet meer draaien.
  3. Gebruik altijd een reinigingsstool, niet uw handen.

#### Onderhoud en opslag

- Controleer met regelmatige tussenpozen of breekpennen en overige bouten nog goed vastzitten, om er zeker van te zijn dat er veilig met de machine kan worden gewerkt.
- Wanneer er nog brandstof in de tank zit, mag u de machine nooit stallen in een gebouw waar ontstekingsbronnen zoals boilers, verwarmingstoestellen, kledingdrogers en dergelijke aanwezig zijn. Laat de motor afkoelen voordat u de machine opslaat in een afgesloten ruimte.



- Raadpleeg altijd de gebruiksaanwijzing voor belangrijke informatie wanneer de sneeuwblazer voor langere tijd moet worden opgeslagen.
- Repareer of vervang de veiligheidslabels waar nodig.
- Laat de machine enkele minuten na het uitwerpen van sneeuw draaien om bevrozing van de opvangbak/rotor te voorkomen.
- Stop de motor en verzeker u ervan dat de opvangbak/rotor en alle bewegende delen tot stilstand zijn gekomen alvorens de sneeuwblazer schoon te maken, te repareren of te inspecteren. Koppel de bougiekabel los en leg de kabel uit de buurt van de bougie om te voorkomen dat iemand de motor onbedoeld start.
- Start het product niet in gesloten ruimtes of in de buurt van licht ontvlambaar materiaal. De uitlaatgassen zijn heet en kunnen vonken veroorzaken die tot brand kunnen leiden. Onvoldoende ventilatie kan leiden tot ernstig letsel of de dood door verstikking of het inademen van koolmonoxide.
- Wanneer u dit product gebruikt, genereert de motor een elektromagnetisch veld. Het elektromagnetische veld kan schade veroorzaken aan medische implantaten. Raadpleeg uw arts en de fabrikant van het medische implantaat voordat u het product gebruikt.
- Laat het product niet door een kind bedienen. Laat het product niet bedienen door personen die de instructies niet hebben gelezen.

## Algemene veiligheidsinstructies

- Gebruik het product op de juiste manier. Onjuist gebruik leidt mogelijk tot letsel of de dood. Gebruik het product uitsluitend voor de taken die in deze handleiding worden genoemd. Gebruik het product niet voor andere taken.
- Volg de instructies in deze handleiding op. Volg de veiligheidssymbolen en veiligheidsinstructies op. Het niet in acht nemen van de instructies en de symbolen kan leiden tot letsel, schade of de dood.
- Gooi deze handleiding niet weg. Gebruik de instructies voor het monteren, gebruiken en onderhouden van uw product. Gebruik de instructies voor een correcte installatie van opzetstukken en accessoires. Gebruik alleen goedgekeurde opzetstukken en accessoires.
- Gebruik nooit een beschadigd product. Neem het onderhoudsschema in acht. Voer alleen onderhoudswerkzaamheden uit waarvoor u in deze handleiding een instructie aantreft. Alle overige onderhoudswerkzaamheden moeten door een erkend servicepunt worden uitgevoerd.
- Deze handleiding kan niet alle situaties beschrijven die zich voor kunnen doen wanneer u dit product gebruikt. Wees voorzichtig en gebruik uw gezond verstand. Gebruik het product niet en voer geen onderhoudswerkzaamheden aan het product uit als u niet zeker bent van de situatie. Neem voor meer informatie contact op met een productexpert, uw dealer, servicewerkplaats of erkende servicepunt.
- Koppel de bougiekabel los voordat u het product monteert, het product opslaat of onderhoudswerkzaamheden uitvoert.
- Gebruik het product niet als de oorspronkelijke specificatie is gewijzigd. Vervang geen onderdelen van het product zonder toestemming van de fabrikant. Gebruik alleen onderdelen die zijn goedgekeurd door de fabrikant. Onjuist onderhoud kan leiden tot letsel of de dood.
- Adem geen dampen in van de motor. Langdurig inademen van de uitlaatgassen van de motor kan een gevaar voor de gezondheid opleveren.
- Zorg ervoor dat u personen met een lichamelijke of geestelijke beperking die het product gebruiken, altijd in de gaten houdt. Er moet te allen tijde een verantwoordelijke volwassene aanwezig zijn.
- Berg het product op in een afgesloten ruimte die niet toegankelijk is voor kinderen of onbevoegde personen.
- Het product kan objecten uitwerpen en letsel veroorzaken. Neem de veiligheidsinstructies in acht om het risico op letsel of de dood te verlagen.
- Blijf in de buurt van het product wanneer de motor is ingeschakeld.
- De gebruiker van het product is verantwoordelijk indien zich een ongeval voordoet.
- Kijk voordat en terwijl u naar achteren loopt, naar achteren en omlaag, zodat u kleine kinderen, dieren of andere risico's waardoor u kunt vallen, kunt zien.
- Zorg dat er geen onderdelen beschadigd zijn, voordat u het product gebruikt.
- Zorg ervoor dat u minimaal 15 m (50 ft) van andere personen en dieren verwijderd bent, voordat u het product gaat gebruiken. Zorg ervoor dat personen in aangrenzende gebieden weten dat u het product gaat gebruiken.
- Neem nationale en lokale wetgeving in acht. Deze kan het gebruik van het product in sommige situaties beperken of verbieden.

## Opleiding

- U dient alle instructies op de machine en in de handleiding(en) te lezen, te begrijpen en op te volgen alvorens de machine in gebruik te nemen. Zorg ervoor dat u volledig vertrouwd bent met de bedieningselementen en het juiste gebruik van de machine. Zorg ervoor dat u weet hoe u de machine snel moet stoppen en de bedieningselementen moet uitschakelen.
- Laat de machine nooit door kinderen gebruiken. Laat volwassenen de machine nooit gebruiken als zij niet goed in het gebruik ervan zijn geïnstrueerd.
- Laat geen mensen toe in uw werkgebied; dit geldt vooral voor kleine kinderen.

- Voorkom dat u uitglijdt of valt, met name als u de sneeuwblazer in zijn achteruit gebruikt.

## Veiligheidsinstructies voor bediening

- Plaats geen handen of voeten in de buurt van of onder draaiende delen. Blijf altijd uit de buurt van de afvoeropening.
- Ga uiterst behoedzaam te werk als u de machine gebruikt op met grind bedekte opritten, paden of wegen of als u een dergelijke ondergrond kruist. Wees alert op verborgen gevaren of verkeer.
- Ga na het raken van een vreemd voorwerp als volgt te werk: stop de motor, koppel de kabel los van de bougie, koppel bij elektrische machines de voeding los, inspecteer het product grondig op eventuele schade en repareer de schade alvorens het product opnieuw te starten en te gebruiken.
- Als het product abnormaal gaat trillen, moet u de motor stoppen en onmiddellijk op zoek gaan naar de oorzaak. Trilling is over het algemeen een voorteken van problemen.
- Schakel de motor altijd uit als u uw gebruikshouding verlaat, alvorens de vijzelbehuizing of uitwortrechter te onstoppen en tijdens het repareren, afstellen of inspecteren van de machine.
- Stop de motor en zorg ervoor dat de vijzels en alle bewegende onderdelen tot stilstand zijn gekomen alvorens het product schoon te maken, te repareren of te inspecteren. Koppel de bougiekabel los en leg de kabel uit de buurt van de bougie om te voorkomen dat iemand de motor onbedoeld start.
- Laat de motor niet binnen lopen, behalve bij het starten van de motor en voor het transport van het product in of uit het gebouw. Open de buitendeuren; uitlaatgassen zijn gevaarlijk.
- Ga uiterst behoedzaam te werk als u de machine op hellingen gebruikt.
- Gebruik het product nooit zonder de juiste beschermkappen en andere veiligheidsvoorzieningen op hun plaats en in bedrijf.
- Richt de uitwortrechter nooit op personen of op plaatsen waar schade aan eigendommen kan ontstaan. Houd kinderen en andere personen uit de buurt.
- Verg niet te veel van de capaciteit van het product door te veel sneeuw tegelijk te willen verwijderen.
- Gebruik het product nooit bij hoge transportsnelheden op gladde oppervlakken. Kijk achterom en ga behoedzaam te werk als u de machine in zijn achteruit gebruikt.
- Ontkoppel de voeding naar de vijzels als het product wordt getransporteerd of niet in gebruik is.
- Gebruik uitsluitend hulpstukken en accessoires die zijn goedgekeurd door de fabrikant van het product (zoals wielvervaarders, contragewichten of cabines).
- Gebruik het product nooit zonder goed zicht of licht. Zorg er altijd voor dat u stevig staat en de hendels

stevig vasthoudt. U dient uitsluitend te lopen, nooit te rennen.

- Raak een hete motor of demper nooit aan.

## Veiligheid van het werkgebied

- Onderwerp het gebied waar de machine gebruikt gaat worden aan een grondige inspectie en verwijder alle deurmatten, sleeën, ski's, draden en andere voorwerpen.
- Ontkoppel alle koppelingen en plaats de machine in de neutrale stand alvorens de motor te starten.
- Gebruik het product niet wanneer u geen geschikte winterkleding draagt. Draag geen wijde kleding die verstrikt kan raken in bewegende delen. Draag schoeisel dat de stabiliteit op gladde oppervlakken verbetert.
- Ga voorzichtig om met brandstof; deze is uiterst brandbaar.
  - Gebruik een jerrycan die is goedgekeurd voor brandstoffen.
  - Tank de machine nooit af bij draaiende motor of als de motor nog heet is.
  - Tank de machine altijd buiten af en ga hierbij uiterst zorgvuldig te werk. Tank de machine nooit binnen af.
  - Vul jerrycans nooit binnen een voertuig of op de vloer van een vrachtwagen of aanhanger als deze met kunststof is afgewerkt. Zet jerrycans vóór het vullen altijd op de grond, uit de buurt van uw auto.
  - Plaats als dit praktisch mogelijk is, op benzine draaiende machines eerst van de vrachtwagen of aanhanger op de grond en tank de machines op de grond af. Als dit niet mogelijk is, verdient het de voorkeur de machines op een aanhanger af te tanken met behulp van een draagbare jerrycan in plaats van rechtstreeks via het vulpistool van een benzinepomp.
  - Houd de tuit voortdurend in contact met de rand van de brandstoftank of de jerrycanopening, totdat het aftanken is voltooid. Gebruik geen automatische sluitklep.
  - Plaats de benzedop zorgvuldig terug en neem gemorste brandstof op.
  - Als u brandstof op uw kleding knoeit, trek dan onmiddellijk andere kleding aan.
- Gebruik voor alle machines met elektrische aandrijving of elektrische startmotor verlengkabels en contactdozen zoals gespecificeerd door de fabrikant.
- Stel de hoogte van de vijzelbehuizing zodanig af dat deze een oppervlak van grind of gebroken steenslag niet raakt.
- Probeer nooit om aanpassingen te maken terwijl de motor loopt (behalve wanneer dit specifiek wordt aangeraden door de fabrikant).
- Draag tijdens het gebruik of bij het afstellen of repareren van de machine altijd een veiligheidsbril of

een gelaatsscherm, om de ogen te beschermen tegen voorwerpen die mogelijk uit de machine worden geworpen.

materiaal en/of dampen om brand te voorkomen.

## Persoonlijke beschermingsmiddelen

Draag altijd de juiste persoonlijke beschermingsmiddelen wanneer u het apparaat gebruikt. Dit omvat minimaal stevig schoeisel, oog- en gehoorbescherming. Persoonlijke beschermingsmiddelen nemen de letselrisico's niet weg, maar kunnen de ernst van het letsel beperken als er toch een ongeluk gebeurt.

- Draag altijd een veiligheidsbril of oogbescherming tijdens het gebruik van het product of tijdens het uitvoeren van onderhoud of het repareren van de machine.
- Draag altijd geschikte winterkleding wanneer u het product gebruikt.
- Gebruik altijd hoogwaardige slipbestendige laarzen met goede ondersteuning van de enkels terwijl u het product bedient.
- Draag nooit loszittende kleding die vast kan komen te zitten in de bewegende onderdelen.
- Draag indien nodig goedgekeurde veiligheidshandschoenen. Bijvoorbeeld bij het bevestigen, onderzoeken of reinigen van het mes.
- Gebruik altijd goedgekeurde gehoorbescherming wanneer u het product gebruikt. Langdurig lawaai kan gehoorverlies veroorzaken.

## Veiligheidsvoorzieningen op het product

- Zorg ervoor dat u regelmatig onderhoudswerkzaamheden uitvoert aan het product.
  - De levensduur van het product neemt toe.
  - Het risico van ongevallen neemt af.

Laat het product regelmatig door een erkende dealer of een erkend servicepunt controleren, zodat er aanpassingen en reparaties uitgevoerd kunnen worden.

- Gebruik geen product met beschadigde beschermingsmiddelen. Als het product beschadigd is, neemt u dan contact op met een erkend servicepunt.

## Geluidemper

De uitlaatdemper is bedoeld om het geluidsniveau zo laag mogelijk te houden en om de uitlaatgassen weg te voeren van de gebruiker.

Gebruik het product niet als de demper ontbreekt of beschadigd is. Bij een defecte uitlaatdemper stijgt het geluidsniveau en neemt het risico op brand toe.



**WAARSCHUWING:** De uitlaatdemper wordt erg heet tijdens en na gebruik en wanneer de motor draait bij stationair toerental. Wees voorzichtig in de buurt van brandbare

## Brandstofveiligheid



**WAARSCHUWING:** Lees de volgende waarschuwingen voordat u het product gaat gebruiken.

- Start het product niet als er brandstof of motorolie op het product aanwezig is. Verwijder de ongewenste brandstof/olie en laat het product drogen.
- Als u brandstof op uw kleding morst, trek dan direct andere kleding aan.
- Zorg dat er geen brandstof op uw lichaam terecht komt, dit kan letsel veroorzaken. Als er brandstof op uw lichaam terecht komt, verwijder deze dan met water en zeep.
- Start het product niet als er sprake is van een motorlekkage. Controleer de motor regelmatig op lekkage.
- Wees voorzichtig met brandstof. Brandstof is licht ontvlambaar en de dampen zijn explosief. Ze kunnen letsel veroorzaken of leiden tot de dood.
- Adem geen brandstofdampen in, dit kan letsel veroorzaken. Zorg voor voldoende ventilatie.
- Rook niet in de buurt van de brandstof of de motor.
- Plaats geen warme voorwerpen in de buurt van de brandstof of de motor.
- Vul geen brandstof bij terwijl de motor is ingeschakeld.
- Zorg ervoor dat de motor koud is wanneer u brandstof bijvult.
- Draai de tankdop langzaam open en laat de druk voorzichtig ontsnappen voordat u brandstof bijvult.
- Vul geen brandstof voor de motor bij in een afgesloten ruimte. Onvoldoende ventilatie kan leiden tot ernstig letsel of de dood door verstikking of het inademen van koolmonoxide.
- Draai de tankdop volledig aan. Als de tankdop niet volledig is aangedraaid, bestaat een risico op brand.
- Verplaats het product minstens 3 m van de plaats waar u de brandstoftank hebt gevuld, voordat u het product start.
- Vul de brandstoftank niet volledig. Door hitte zet de brandstof uit. Zorg ervoor dat er ruimte overblijft aan de bovenkant van de brandstoftank.

## Waarschuwing voor chemische stoffen



**WAARSCHUWING:** De uitlaatgassen van de motor van dit product bevatten chemische stoffen waarvan in de staat Californië bekend is dat ze kankerverwekkend zijn, geboortefwijkingen veroorzaken en andere schadelijke gevolgen hebben voor de voortplanting. Zie [www.P65Warnings.ca.gov](http://www.P65Warnings.ca.gov) voor meer informatie.

## Veiligheidsinstructies voor onderhoud



**WAARSCHUWING:** Lees de volgende waarschuwingen voordat u het product gaat gebruiken.

- Uitlaatgassen van de motor bevatten koolmonoxide, een geurloos, giftig en uiterst gevaarlijk gas. Start de motor nooit binnenshuis of in gesloten ruimten.
- Voordat u het onderhoud van het product uitvoert, zet u de motor uit en verwijdert u de ontstekingskabel van de bougie.
- Draag veiligheidshandschoenen wanneer u onderhoud aan de messen verricht. De messen zijn zeer scherp en kunnen gemakkelijk snijwonden veroorzaken.

- Accessoires en wijzigingen aan het product die niet zijn goedgekeurd door de fabrikant, kunnen leiden tot ernstig letsel of overlijden. Breng geen wijzigingen aan het product aan. Gebruik alleen accessoires die zijn goedgekeurd door de fabrikant.
- Als het onderhoud niet correct en regelmatig wordt uitgevoerd, neemt de kans op letsel of schade aan het product toe.
- Voer alleen onderhoud uit zoals beschreven in deze bedieningshandleiding. Alle overige onderhoudswerkzaamheden moeten worden uitgevoerd door een erkende servicewerkplaats.
- Laat een erkende servicewerkplaats regelmatig onderhoud aan het product uitvoeren.
- Vervang beschadigde, versleten of defecte onderdelen.

## Montage



**WAARSCHUWING:** Zorg dat u het hoofdstuk over veiligheid hebt gelezen en begrepen voordat u het apparaat monteert.

### De handgrepen installeren

1. Verwijder de 4 M8x25-flensbouten (A) uit de behuizing.
2. Gebruik de 4 M8x25-flensbouten (A), de 4 veerafstandsstukken (B) en de 4 vlakke afstandsstukken (C).
3. Monteer de onderste handgreep (D) in de 2 gaten aan weerszijden van de behuizing. (Fig. 25)
4. Gebruik de 3 M8x50-borgbouten (A), de 3 afstandsstukken (B), de 3 hendelknoppen (C) en de 3 borgmoeren (D).
5. Monteer de bovenste handgreep met het bedieningspaneel (E) op de onderste handgreep. (Fig. 26)

### De uitworptrechter monteren

1. Verwijder de roterende schijf (B) en de 6 zeskantflensbouten (D) uit de behuizing.
2. Bevestig de roterende schijf (B) en de uitworptrechter (A) op de voet van de trechter met behulp van 3 limiteerblokken (C).
3. Gebruik 6 zeskantflensbouten (D) en 6 borgmoeren (E) om de limiteerblokken (C) vast te zetten. (Fig. 27)

### De uitworprotor monteren

1. Monteer de voorzijde van de uitworprotor.
2. Installeer de kunststof bus (B) op de voorzijde van de uitworprotor.
3. Bevestig de uitworprotor met 1 vlak afstandsstuk (A) en 1 borgpen (C). (Fig. 28)

4. Monteer de achterzijde van de uitworprotor.
5. Gebruik 1 borgmoer M8 (A), 1 kunststof vergrendelknop (B), 2 gebogen afstandsstukken (C) en 1 niveauschroef (D) om de uitworprotor te monteren.
6. Gebruik 1 zeskantmoer M8 (E) om de uitworprotor (F) in de gaten van de handgreep te bevestigen. (Fig. 29)

### De besturingsstang voor de rijsnelheid monteren

1. Monteer het lange gebogen uiteinde van de besturingsstang voor de rijsnelheid (A) op het bedieningspaneel en bevestig het met 1 verbindingsslangveer (B), 1 vlak afstandsstuk (C) en 1 splitpen (D). (Fig. 30)
2. Trek de schakelverbindingsplaat (B) omhoog en monteer het korte gebogen uiteinde van de besturingsstang voor de rijsnelheid (A). Bevestig de besturingsstang voor de rijsnelheid (A) met 1 vlak afstandsstuk (C) en 1 splitpen (D). (Fig. 31)
3. Pas indien nodig de lengte van de besturingsstang voor de rijsnelheid aan. Draai de borgmoeren van de schroefspanner los en draai de schroefspanner rond. Draai de schroefspanner weer vast in de oorspronkelijke positie voor de juiste snelheidsregeling. De oorspronkelijke positie is gemarkeerd op de schroefdraad. (Fig. 32)

### De vizel- en aandrijfkabels monteren

1. Verwijder de 2 kabelschroefbouten (B) van de kabels (D).
2. Bevestig de 2 kabelschroefbouten (B) in de gaten in de linker en rechter handgrepen (A). (Fig. 33)
3. Bevestig de kabels (D) aan de kabelschroefbouten (B).

4. Sluit de linker en rechter draadbus (D) van de kabel en de kabelschroefbout (B) aan en vergrendel deze totdat de bovenkant van de messing borgmoer (C)

op één lijn ligt met de markering op de schroefdraad (E).

5. Zet de kabel vast met de messing borgmoer (C).

---

## Werking

---



**WAARSCHUWING:** Voordat u de machine gebruikt, moet u het hoofdstuk over veiligheid en de bedieningsinstructies zorgvuldig lezen en begrijpen.

---

### Voordat u het product inschakelt

- Houd personen en dieren buiten het werkgebied.
- Voer dagelijks onderhoud uit. Zie *Onderhoudsschema op pagina 111*.
- Zorg ervoor dat de startkabel correct aan de bougie bevestigd is.
- Vul indien nodig olie of benzine bij. Zie *De motor met olie vullen op pagina 109*.

---

### De motor met olie vullen



**OPGELET:** Draai de peilstok niet wanneer u de olie controleert. Niet vullen boven de markering.

1. Verwijder de oliedop en maak de peilstok schoon. Zie *Productoverzicht op pagina 102* voor de locatie van de peilstok.
2. Vul olie bij tot de bovenste markering op de peilstok. Controleer de olie regelmatig met de peilstok.
3. Plaats de oliedop terug.

---

### Brandstof bijvullen

Gebruik emissiearme of alkylaatz benzine, indien beschikbaar. Als er geen emissiearme of alkylaatz benzine beschikbaar is, gebruik dan loodvrije benzine van goede kwaliteit. Gebruik een benzine met een octaangetal van minimaal 90 RON buiten Noord-Amerika (87 (R+M)/2 in Noord-Amerika) of hoger en met maximaal 10% ethanol (E10).



**OPGELET:** Gebruik geen benzine met een octaangetal lager dan 90 RON buiten Noord-Amerika (87 (R+M)/2 in Noord-Amerika). Dit kan schade aan het product veroorzaken.

1. Draai de brandstoftankdop langzaam los om de druk te laten ontsnappen.
2. Vul langzaam met een benzinejerrycan. Als u brandstof morst, verwijder deze dan met een doek en laat de resterende brandstof opdrogen.
3. Maak het gebied rondom de brandstoftankdop goed schoon.

4. Draai de tankdop volledig aan. Als de tankdop niet volledig is aangedraaid, bestaat een risico op brand.
5. Verplaats het product minstens 3 m (10 ft) van de plaats waar u de brandstoftank hebt gevuld, voordat u het product start.

---

### De uitworptrechter afstellen

De richting waarin sneeuw moet worden uitgeworpen, wordt geregeld door de regeling van de uitworprotor, die op de linker zijhendel is aangebracht.

1. Draai aan de regeling van de uitworprotor om de draairichting van de uitgeworpen sneeuw in te stellen.
2. Draai de regeling van de uitworprotor rechtsom om sneeuw naar rechts uit te werpen.
3. Draai de regeling van de uitworprotor linksom om sneeuw naar links uit te werpen. (Fig. 34)
4. Beweeg de hoekuitworp omhoog of omlaag om de afstand van de uitgeworpen sneeuw aan te passen. (Fig. 35)

---

### De motor starten

1. Koppel de aandrijving los. Zet de rijsnelheidshendel in de eerste stand.
2. Zet de brandstofsckakelaar in de stand AAN. (Fig. 36)
3. Zet de choke in de stand CLOSE. (Fig. 37)
4. Zet de aan/uit-sleutel in de stand RUN. (Fig. 38)
5. Druk 1-3 keer op de primerbalg om de boosterpomp te starten. Gebruik de boosterpomp voor een koude start bij lage temperaturen. (Fig. 39)
6. Trek aan de hendel van het startkoord. (Fig. 40)



**OPGELET:** Laat de hendel van het startkoord niet te snel los. Beweeg deze langzaam terug in de startpositie.

**Let op:** Als de hendel van het startkoord is vastgelopen, trekt u langzaam zoveel mogelijk koord uit de starter en laat u de startkoordhendel vervolgens los. Indien de motor niet start, herhaalt u de procedure of gebruikt u de elektrische startmotor.

7. Laat de motor 30-40 seconden stationair draaien voordat u begint met sneeuwruimen.
8. Als de motor warm is, zet u de choke langzaam in stand OPEN. (Fig. 41)

## De motor starten, elektrische start



**WAARSCHUWING:** Het product heeft een elektrische starter op 230 volt netspanning. Gebruik de elektrische starter niet als uw woning niet is voorzien van geaarde stopcontacten met 230 volt. Er kan ernstig lichamelijk letsel of schade aan het product ontstaan. De elektrische starter is voorzien van een 3-polige stekker en is ontworpen voor een huishoudelijk stopcontact met 230 V netspanning. Zorg ervoor dat uw woning is voorzien van geaarde stopcontacten met 230 volt. Als u dit niet zeker weet, vraagt u het aan een erkende elektricien.

**Let op:** Gebruik een verlengsnoer dat wordt aanbevolen voor gebruik buitenshuis, met een minimale draaddikte van 16 AWG (1,5 mm<sup>2</sup>) en een maximale lengte van 15 m (50 ft).

1. Koppel de aandrijving los. Zet de rijsnelheidshendel in de eerste stand.
2. Zet de brandstofschaakelaar in de stand AAN. (Fig. 36)
3. Zet de choke in de stand CLOSE. (Fig. 37)
4. Zet de aan/uit-sleutel in de stand RUN. (Fig. 38)
5. Druk 1-3 keer op de primerbalg om de boosterpomp te starten. Gebruik de boosterpomp voor een koude start bij lage temperaturen. (Fig. 39)
6. Sluit het product aan op de voedingsbron. (Fig. 42)
7. Houd de startknop op de bedieningskast 5 seconden ingedrukt. (Fig. 43)
8. Als de motor niet start, wacht dan 5 seconden en druk de startknop nogmaals in.



**OPGELET:** Probeer de motor niet meer dan 10 keer achter elkaar te starten. Wacht na 10 startpogingen 40 minuten voordat u het opnieuw probeert.

9. Koppel de voedingskabel van het product los nadat de motor is gestart.
10. Laat de motor 30-40 seconden stationair draaien voordat u begint met sneeuwruimen.
11. Als de motor warm is, zet u de choke langzaam in stand OPEN. (Fig. 41)

## Het product gebruiken

1. Knijp de inschakeling van de vijzel in de richting van de hendel om de vijzel in te schakelen en sneeuw te ruimen. (Fig. 44)

2. Beweeg de rijsnelheidshendel naar links om het product naar voren te verplaatsen. Beweeg de rijsnelheidshendel naar rechts om het product naar achteren te verplaatsen. (Fig. 45)
3. Bedien de inschakeling van de aandrijving met de rechter hendel.
4. Knijp de inschakeling van de aandrijving in de richting van de hendel om de aandrijfwielen in te schakelen. Het product beweegt vooruit of achteruit, afhankelijk van de stand van de rijsnelheidshendel. (Fig. 46)

## Product stoppen

**Let op:** Om de motor in een noodgeval uit te schakelen, trekt u de aan/uit-sleutel uit het contact.

1. Laat de inschakeling van de aandrijving los om de aandrijfwielen te stoppen.
2. Laat de inschakeling van de vijzel los om de vijzel uit te schakelen en het uitwerpen van sneeuw te stoppen. (Fig. 47)
3. Zet de brandstofschaakelaar in de stand UIT. (Fig. 48)
4. Trek de aan/uit-sleutel uit het contact. (Fig. 49)

## Een goed resultaat verkrijgen

- Laat de motor altijd draaien met volgas of bijna volgas.
- Pas de snelheid van het product altijd aan de sneeuwsituatie aan en pas de snelheid aan met de besturingshendel voor de rijsnelheid. Zorg ervoor dat het product gelijkmatig sneeuw ruimt.
- Het is eenvoudiger en efficiënter om sneeuw direct na het vallen te ruimen.
- Werk zo mogelijk altijd van de wind af.
- Op vlakke oppervlakken, zoals asfaltwegen, zet u de glijplaten 5-6 mm (0,2-0,25") van de grond.
- De schraapbalk is omkeerbaar. Wanneer deze bijna tot de rand van de behuizing is versleten, draait u deze om. Vervang de schraapbalk als deze beschadigd is, of als beide zijden versleten zijn.
- Maak de uitworptrechter niet los als deze verstopt is.
- Als het product door onvoorziene omstandigheden niet in beweging komt, laat u de inschakeling van de aandrijving direct los of zet u de AAN/UIT-sleutel in de stand UIT.

## Onderhoudsschema

Onderhoud	Elke dag	20 uur	50 uur	100 uur
Controleer of moeren en schroeven goed vastgedraaid zijn	X			
Controleer het motoroliepeil	X			
Olie verversen <sup>37</sup>		X	X	X
Controleer op brandstof- of oliekkage	X			
Verwijder verstoppingen of vreemde voorwerpen in de vijzel	X			
Controleer de bandenspanning <sup>38</sup>			X	
De bougie inspecteren en vervangen <sup>39</sup>				X

**Let op:** Het is niet nodig om de tandwielkast te smeren of er ander onderhoud aan uit te voeren.

## Algemene inspectie uitvoeren

- Controleer of alle moeren en schroeven op het product goed zijn vastgedraaid.

## Oliepeil controleren



**OPGELET:** Een te laag oliepeil kan ernstige schade aan de motor veroorzaken. Voer een controle van het oliepeil uit voordat u het product start.

- Zet het product op een vlakke ondergrond.
- Verwijder de olietankdop met de bijgevoegde peilstok.
- Veeg de olie van de peilstok.
- Steek de peilstok volledig in de olietank om een goed beeld van het oliepeil te krijgen.
- Verwijder de peilstok.
- Controleer het oliepeil op de peilstok.
- Als het oliepeil laag is, vult u bij met motorolie en controleert u het oliepeil opnieuw.

<sup>37</sup> Ververs de olie na de eerste 20 uur, 50 uur, 100 uur en daarna om de 100 uur.

<sup>38</sup> Zie Technische gegevens voor de juiste bandenspanning.

<sup>39</sup> Controleer en reinig de bougie elk jaar voorafgaand aan het gebruik.

## De motorolie verversen

- Laat de motor een paar minuten draaien om de olie op te warmen. Warme olie stroomt beter en voert meer verontreinigingen mee naar buiten.



**WAARSCHUWING:** De motorolie is heet. Voorkom dat gebruikte motorolie in contact komt met de huid.

- Zet het product op een vlakke ondergrond.
- Laat de motor draaien totdat alle brandstof is verbruikt.
- Verwijder de contactsleutel.
- Plaats een opvangbak onder de olieaftapplug.
- Verwijder de olieaftapplug, kantel het product naar achteren en laat de gebruikte olie in de opvangbak lopen. (Fig. 50)
- Plaats het product weer in de werkstand.
- Breng de olieaftapplug aan en draai deze met de hand stevig vast.
- Vul de motor met olie, zie *De motor met olie vullen op pagina 109*.

## Bougie controleren



**OPGELET:** Gebruik altijd het juiste bougietype. Een verkeerd type bougie kan schade aan het product veroorzaken.

- Controleer de bougie als de motor weinig vermogen heeft, niet gemakkelijk te starten is of stationair niet goed draait.
- Volg deze instructies om het risico van ongewenst materiaal op de elektroden van de bougie te beperken:
  - a) Zorg ervoor dat het stationair toerental altijd juist is afgesteld.
  - b) Zorg voor het juiste type brandstof.
  - c) Zorg dat het luchtfilter schoon is.
- Maak de bougie schoon als deze vuil is en controleer of de afstand tussen de elektroden correct is, zie *Technische gegevens op pagina 116*. (Fig. 51)
- Vervang de bougie indien nodig.

## De vijzels en de schraapbalk controleren

1. Controleer vóór elk gebruik de vijzels en de schraapbalk op slijtage.
2. Als de rand van de schraapbalk versleten is, draait u de schraapbalk om. Als de schraapbalk aan beide kanten is beschadigd of versleten, vervangt u deze.
3. Als de randen van de vijzels versleten zijn, neemt u contact op met een erkend servicepunt om ze te vervangen.

## De glijplaten afstellen

De glijplaten voorkomen dat de onderkant van de sneeuwruimer beschadigd raakt. Stel de glijplaten (A) af wanneer de borgmoer (B) los is, of wanneer de glijplaat niet de juiste afstand tot de grond heeft. Er is geen afstelling nodig voor de normale installatie.

1. Draai de borgmoer (B) los met een steeksleutel van 13 mm (½").
2. Verplaats de glijplaten (A) omhoog of omlaag.
  - a) Op vlakke oppervlakken stelt u de afstand tussen de schraapbalk en de grond af op 5-6 mm (0,2-0,25").
  - b) Op ruwe oppervlakken plaatst u de glijplaten (A) in een positie waarbij de schraapbalk boven het hoogste punt van de grond ligt.



**WAARSCHUWING:** Zorg ervoor dat geen grind en stenen het product

binnendringen. Objecten die op hoge snelheid worden uitgeworpen, kunnen letsel veroorzaken.

3. Draai de borgmoer (B) vast. (Fig. 52)

## De breekpen vervangen

De breekpen beschermt het product tegen schade. De pen breekt als er een vreemd voorwerp in de bewegende delen terecht komt.

1. Als de breekpen breekt, zet u de motor uit.
2. Breng een nieuwe breekpen (A) en een nieuwe klemveer (B) aan. (Fig. 53)

## De banden inspecteren

- Houd de banden vrij van brandstof, olie en chemicaliën om schade aan het rubber te voorkomen.
- Houd de banden uit de buurt van boomstronken, stenen, geulen, scherpe voorwerpen en andere voorwerpen die schade aan de banden kunnen veroorzaken.
- Houd de banden correct op spanning, zie *Technische gegevens op pagina 116*.

## De deflector van de uitwortrecther leegmaken wanneer deze verstopt is

Maak de deflector van de uitwortrecther pas leeg als u de volgende handelingen hebt verricht.

1. Laat de inschakeling van de vijzel en van de aandrijving gelijktijdig los.
2. Wacht 10 seconden om er zeker van te zijn dat de vijzels gestopt zijn.
3. Stop het apparaat.
4. Gebruik de reinigingstool (ten minste 37 cm (15") lang, bijgeleverd bij sommige modellen) om de verstopping te verwijderen.



**WAARSCHUWING:** Steek uw handen niet in de deflector van de uitwortrecther of in de vijzelbak.

## Product reinigen

- Reinig de kunststof onderdelen met een schone en droge doek.
- Reinig het product niet met een hogedrukspuit.
- Laat nooit water rechtstreeks op de motor stromen.
- Gebruik een borstel om bladeren, gras en vuil te verwijderen.



## Probleemoplossing

### Probleemoplossing

Probleem	Mogelijke oorzaak	Oplossing
Het product start niet	De veiligheidscontactsleutel is niet ingestoken.	Plaats de veiligheidscontactsleutel.
	Het product bevat geen brandstof meer.	Vul de brandstoftank met nieuwe, schone benzine.
	De aan/uit-sleutel is UIT.	Zet de aan/uit-sleutel in de stand AAN.
	De choke is staat in de stand UIT (DICHT).	Zet de choke in de stand AAN (FULL, OPEN).
	Het balgje is niet ingedrukt.	Druk op het balgje.
	De motor is 'verzopen'.	Wacht enkele minuten alvorens opnieuw te starten, injecteer NIET.  Start de motor opnieuw terwijl het gaspedaal volledig is ingetrapt en de choke UIT (DICHT) is.
	De bougiekabel is niet aangesloten.	Sluit de kabel aan op de bougie.
	De bougie is defect.	Vervang de bougie.
	Er zit water in de brandstof of de brandstof is te oud.	Leeg de brandstoftank en de carburateur. Vul de brandstoftank met nieuwe, schone benzine.
	Er zit damp in de brandstofleiding.	Zorg dat de hele brandstofleiding onder de uitgang van de brandstoftank loopt. De brandstofleiding moet ononderbroken omlaag lopen van de brandstoftank naar de carburateur.
	Andere oorzaken.	Inspecteer de startprocedures in deze handleiding zorgvuldig.
	De brandstofschakelaar (indien aanwezig) staat in de stand CLOSE (UIT).	Zet de motorschakelaar in de stand OPEN (AAN).
De gashendel staat in de stand STOP.	Zet de gashendel in de snelle stand.	

<b>Probleem</b>	<b>Mogelijke oorzaak</b>	<b>Oplossing</b>
Verminderd vermogen	De bougiekabel is niet aangesloten.	Sluit de kabel aan op de bougie.
	Het product ruimt te veel sneeuw.	Verlaag de snelheid en de breedte van het zwad.
	De dop van de brandstoftank is bedekt met ijs of sneeuw.	Verwijder ijs en sneeuw op en rond de brandstoftankdop.
	De demper is vuil of verstopt.	Reinig of vervang de demper.
	Incorrecte kabellengte.	Pas de kabellengte aan.
	De demper is geblokkeerd.	Zorg ervoor dat de motor afkoelt. Verwijder de blokkade.
	De luchtinlaat van de carburateur is geblokkeerd.	Zorg ervoor dat de motor afkoelt. Verwijder de blokkade.
De motor stopt of loopt stroef	De choke is staat op AAN (FULL, OPEN).	Zet de choke op UIT (DICHT).
	De brandstofleiding is verstopt.	Maak de brandstoftank schoon.
	Er zit water in de brandstof of de brandstof is te oud.	Leeg de brandstoftank en de carburateur. Vul de brandstoftank met nieuwe, schone benzine.
	De carburateur moet worden vervangen.	Neem contact op met een erkend servicepunt.
	De riem is uitgerekt.	Vervang de V-riem van de vijzel.
Overmatige trilling / beweging van de handgreep	Sommige onderdelen zitten los. De vijzels zijn beschadigd.	Zet alle afsluitingen vast. Vervang de beschadigde onderdelen. Neem contact op met een erkend servicepunt. als de trillingen niet verdwijnen.
	De handgrepen zijn niet goed geplaatst.	Zorg ervoor dat de handgrepen in de juiste stand zijn vergrendeld.
	De moeren van de afstelhendels zitten los.	Haal de moeren aan tot de hendel veilig aanvoelt.
De hendel van het startkoord is moeilijk aan te trekken	De hendel van het startkoord is vastgelopen.	Trek langzaam zoveel mogelijk koord uit de starter en laat de startkoordhendel vervolgens los. Indien de motor niet start, herhaalt u de procedure of gebruikt u de elektrische startmotor.
	Het koord komt tussen andere onderdelen.	Het startkoord mag geen andere draden of slangen raken.

Probleem	Mogelijke oorzaak	Oplossing
Verlies van tractieaandrijving/afname van de rijsnelheid	De riem slipt.	Pas de kabel lengte aan. Pas de riem aan.
	De riem is versleten.	Controleer/vervang de riem.
Verlies van sneeuwlozing of langzaam wordende sneeuwlozing	De riem is van de poelie gelopen.	Controleer/installeer de riem.
	De uitworptrechter zit verstopt.	Reinig de uitworptrechter.
	Vreemde voorwerpen verstoppden de vijzels.	Verwijder het vuil of het vreemde voorwerp uit de vijzels.
	De breekpen is defect.	Vervang de defecte breekpen.
	Overmatige sneeuw- en ijsafzetting tussen de bandonderdelen.	Verwijder sneeuw- en ijsafzetting tussen de bandonderdelen.
	Het frictieaandrijf wiel is versleten.	Neem contact op met een erkend servicepunt.
Geen vijzelrotatie nadat de greep is losgelaten	De aandrijfriem is niet uitgelijnd.	Stel de aandrijfriem af.
	De deflector van de uitworptrechter is niet uitgelijnd.	Stel de deflector van de uitworptrechter af.
De lichten zijn niet aan (indien aanwezig)	De motor draait niet.	Start de motor.
	De kabelverbinding zit los.	Controleer de kabelverbindingen bij de motor en de lampen.
	De ledlamp is doorgebrand.	Vervang de ledlampmodule. Individuele led's kunnen niet worden vervangen.
De uitworprotor beweegt stroef	Er zit vuil in het mechanisme van de uitworprotor.	Reinig de interne onderdelen van het uitworprotormechanisme.
	De kabels zijn geknikt of beschadigd.	Controleer of de kabels niet geknikt zijn. Vervang de kabels die beschadigd zijn.
Het product draait naar één kant	De bandenspanning is niet gelijk.	Pas de bandenspanning aan en vul de band.
	Het product rijdt met slechts één wiel.	Controleer de borgpen van de band.
	Ongelijkmatige sledeafstelling.	Stel de glijplaten en de slede af.
	Ongelijkmatige glijplaatafstelling.	Stel de glijplaten en de slede af.

## Vervoer, opslag en verwerking

### Transport en opslag

- Controleer voor opslag en vervoer van het product en de brandstof of er geen lekken of dampen zijn. Vonken of open vuur, bijvoorbeeld van elektrische apparaten of ketels, kunnen tot brand leiden.
- Gebruik altijd goedgekeurde containers voor opslag en transport van brandstof.
- Leeg de brandstoftank voordat u het product voor langere tijd opslaat.
- Als de vlotterkamer van de carburateur is voorzien van een aftapplug, moet u de brandstof uit de carburateur laten lopen voordat u het product langere tijd opbergt.
- Zet het product tijdens het vervoer veilig vast om schade en ongevallen te voorkomen.

- Bewaar het product in een afgesloten ruimte om toegang door kinderen of onbevoegde personen te verhinderen.
- Bewaar het product in een droge en vorstvrije ruimte.
- Voer alle chemische stoffen, zoals olie of brandstof, af via een servicecentrum of een geschikt afvalverwerkingspunt.
- Lever het product in bij een goedgekeurd afvalverwerkingspunt of stuur het naar Husqvarna voor verdere verwerking.

## Afvoeren

- Neem de plaatselijk geldende wet- en regelgeving in acht.

---

# Technische gegevens

---

## Technische gegevens

<b>ST 124</b>	
<b>Afmetingen</b>	
Gewicht, met lege tanks, kg	76
Max bandenspanning in bedrijf, PSI	20
Inlaathoogte, cm	53,3
Werkbreedte, cm	61
<b>Motor</b>	
Merk	Husqvarna
Nominaal motorvermogen, kW	4.3
Cilinderinhoud, cc	212
Brandstoftype	Normaal loodvrij (maximaal 10% ethanol)
Brandstofcapaciteit, gal/l	0,58 / 2,2
Type olie (API SJ-SN)	SAE 5W30 (onder 0 °C (32 °F))
Oliecapaciteit fl. oz./l	20 / 0,6
<b>Elektrisch systeem</b>	
Bougie	F7RTC
Afstand tussen de elektroden van de bougie (inch/mm)	0,027-0,031 / 0,7-0,8
<b>Geluidsemisies</b> <sup>40</sup>	
Geluidsvermogeniveau, gemeten dB(A)	100
Geluidsvermogeniveau, gegarandeerd L <sub>WA</sub> dB(A)	102
<b>Geluidsniveau</b> <sup>41</sup>	
Geluidsdrukniveau bij het oor van de gebruiker, gemeten L <sub>PA</sub> dB(A)	86

<sup>40</sup> Geluidsemisie naar de omgeving gemeten als geluidsvermogen (L<sub>WA</sub>) volgens EG-richtlijnen 2000/14/EG en 2005/88/EG. De gerapporteerde gegevens voor geluidsemisie vertonen een typische statistische spreiding (standaardafwijking) van 1,5 dB (A). Onzekerheidsmarge = 1,5 dB(A)

<sup>41</sup> Geluidsdrukniveau volgens EN ISO 11201. De gerapporteerde gegevens voor het geluidsdrukniveau vertonen een typische statistische spreiding (standaardafwijking) van 1,5 dB (A). Onzekerheidsmarge = 1,5 dB(A)

	<b>ST 124</b>
<b>Trillingsniveaus, <math>a_{hveq}</math><sup>42</sup></b>	
Trillingsniveau op de hendel, links / rechts	4,15 / 4,08

---

<sup>42</sup> Trillingsniveau volgens ISO 8437-4, bijlage B. Onzekerheid = 1,5 m/s<sup>2</sup>

---

## EG verklaring van overeenstemming

---

### INHOUD VAN DE EG-VERKLARING VAN OVEREENSTEMMING

Wij, Husqvarna, SE-561 82 Huskvarna, ZWEDEN,  
verklaren onder onze alleenverantwoordelijkheid dat het  
gerepresenteerde product:

<b>Beschrijving</b>	<b>Sneeuwblazer</b>
Merk	Husqvarna
Platform / Type / Model	ST 124
Partij	Serienummer vanaf 2020 en verder

volledig voldoet aan de volgende EU-richtlijnen en -  
regelgeving:

<b>Richtlijn/Verordening</b>	<b>Beschrijving</b>
2006/42/EG	"betreffende machines"
2014/30/EU	"betreffende elektromagnetische compatibiliteit"
2000/14/EG; 2005/88/EG	"betreffende geluid buitenshuis"
2011/65/EU	"beperking van het gebruik van bepaalde gevaarlijke stoffen"

Toegepaste geharmoniseerde normen en/of technische specificaties zijn als volgt: EN ISO 12100:2010, EN ISO 14982:2009, ISO 8437-1:2019, ISO 8437-2:2019, ISO 8437-4:2019, ISO 3744:1995, EN 1032:2003+A1:2008, EN 50581:2012

In overeenstemming met richtlijn 2000/14/EG +2005/88/EG, bijlage V, staan de verklaarde geluidswaarden vermeld in de sectie met technische gegevens van deze handleiding en in de ondertekende EG-verklaring van overeenstemming.

De geleverde sneeuwblazer is conform het geteste exemplaar.

Namens Husqvarna AB, SE-561 82 Huskvarna,  
ZWEDEN, 07-02-2020



Claes Losdal

Verantwoordelijke voor het opstellen van de technische dossiers binnen de EU

---

## Sisukord

---

Sissejuhatus.....	119	Veotsing.....	129
Ohutus.....	120	Transportimine, hoiulepanek ja utiliseerimine.....	131
Kokkupanek.....	124	Tehnilised andmed.....	132
Töö.....	125	EÜ vastavusdeklaratsioon.....	133
Hooldamine.....	127		

---

## Sissejuhatus

---

### Toote tutvustus

(Joon. 1)

1. Teo rakendamine
2. Ajami kiiruse juhtnööb
3. Juhtpaneel
4. Teokaabel
5. Kanalipööraja juhtelement
6. Kanali deflektor
7. Puhastustööriist
8. Teo korpus
9. Teod
10. Terakaitse
11. Rehv
12. Õlitäiteava
13. Mootor
14. Alumine käepide
15. Ajamikiiruse juhtvarras
16. Ajami kaabel
17. Käivitusnööri käepide
18. Ajami rakendamine
19. Käepidemed
20. Kütuse etteandepump
21. Õhuklapp
22. Kütuselüliti
23. Võti On/Off
24. Kasutusjuhend

### Toote kirjeldus

See toode on lumepuhur, mida kasutatakse lume maapinnalt eemaldamiseks.

### Kasutusotstarve

Seda toodet saab kasutada lume eemaldamiseks väljadelt, teedelt, kõnniteedelt ja sõiduteedelt. Ärge kasutage seda kaldel, mis on järsem kui 15°. Ärge kasutage toodet kohtades, kus on palju prahti, mustust ja väljaulatavaid kive.

### Symbols on the product

---

**Märkus:** If the decals on the product are damaged, contact the distributor to replace them.

---

(Joon. 2) Warning.

(Joon. 3) Read the operator's manual.

(Joon. 4)

(Joon. 5) Hot surface.

(Joon. 6) Risk of fire.

(Joon. 7) Choke.

(Joon. 8) Pull starter rope handle.

(Joon. 9) Do not breathe in the exhaust fumes from the engine.

(Joon. 10) Do not put any part of the body into the chute deflector or the auger housing when the augers rotate.

(Joon. 11) Stop the engine before you remove snow from the chute deflector. Use the clean-out tool to remove snow, do not do it by hand.

(Joon. 12)

(Joon. 11) Keep hands away from the chute deflector.

(Joon. 13) Objects can be ejected from the product.

(Joon. 14) Keep bystanders away from the product when operating.

(Joon. 15) Remove key before maintenance.

(Joon. 16) Push in the on/off key to the RUN position.

(Joon. 17) Turn the fuel switch to the ON position.

(Joon. 18) Push the primer.

(Joon. 19) Risk of falling.

- (Joon. 20) Move slowly rearward.
- (Joon. 21) Use approved protective gloves.
- (Joon. 22) Use a protective helmet. Use approved hearing protection. Use approved eye protection.
- (Joon. 23) Noise emissions to the environment according to European Directive 2000/14/EC and New South Wales legislation "Protection of the Environment Operations (Noise Control) Regulation 2017". Noise emission data can be found on the machine label and in the Technical data chapter.
- (Joon. 24) European machinery directive for safety.

**Märkus:** Other symbols/decals on the product refer to certification requirements for some markets.

## Euro V heitmed



**HOIATUS:** Mootori igasugune modifitseerimine, muutmine või rikkumine tühistab toote EL-i tüübikinnituse.

## Ohutus

### Ohutuse määratlused

Järgnevad määratlused näitavad mürgusõnade raskusastet.



**HOIATUS:** Kehavigastused.



**ETTEVAATUST:** Toote kahjustus.

**Märkus:** See teave hõlbustab toote kasutamist.

### Eeslükatava lumepuhuri ohutu kasutamine

#### Üldine

Selle masina võimsusest piisab käe või jala amputeerimiseks ning esemete eemale paiskamiseks. Järgmiste hoiatuse eiramine võib kaasa tuua tõsise vigastuse.

#### Väljaõpe

- Lugege, õppige selgeks ja järgige juhendis ja masinal toodud info enne kui alustate masina kasutamist. Õppige põhjalikult tundma juhtseadiseid ja masina nõuetekohast kasutamist. Õppige, kuidas seadet seisata ja juhtseadiseid kiiresti lahutada.

## Tootja

Husqvarna AB

Drottninggatan 2, SE-561 82 Huskvarna

## Tootevastutus

Tootevastutusseaduste alusel ei vastuta me tootest tingitud kahjustuste eest, kui:

- toodet on valesiti parandatud;
- toote parandamisel on kasutatud osi, mis ei ole tootja poolt valmistatud või heaks kiidetud;
- tootel on kasutatud tarvikut, mis ei ole tootja poolt valmistatud või heaks kiidetud;
- toodet ei ole parandatud volitatud hoolduskeskuses või volitatud isiku poolt.

- Ärge kunagi lubage lastel seadet kasutada. Ära lubage masinat kasutada kellelgi, keda pole piisavalt instrueeritud.
- Hoidke tööala vaba inimestest, eriti väikestest lastest.
- Ole ettevaatlik ja väldi libisemist ning kukkumist, eriti masina tagurpidi liikumise ajal.

#### Ettevalmistus tööks

- Kontrolli masina töösoon põhjalikult üle ning eemalda seal näiteks uksematid, kelgud, traadid ja muud võõrkehaded.
- Enne mootori käivitamist lahutage kõik sidurid ja lülitage sisse tühikäik.
- Ära kasuta toodet ilma piisavate talverõivasteta. Ärge kandke lahtisi rõivaid, mis võivad masina liikuvate osade külge haakuda. Kandke jalanõusid, mis annavad tuge libedal pinnal.
- Töö ja reguleerimise või remondi ajal kandke alati kaitseprille või -maski, et kaitsta oma silmi masinast eemale paiskuda võivate võõrkehade eest.
- Käsitsege kütust ettevaatlikult - see on väga tuleohtlik.
  - Säilitage kütust vaid selleks otstarbeks valmistatud nõudes.
  - Ärge kunagi tankige töötavat või kuuma mootorit.
  - Tankige õues, toimides väga ettevaatlikult. Ärge kunagi tankige siseruumis.
  - Ärge kunagi valage kütust sõidukis või autokastis, mille põhi on valmistatud plastist.



Enne tankimist asetage kanistrid alati maapinnale, sõidukitest eemale.

- Võimalusel tõstke bensiinimootoriga masin sõidukilt või haagiselt maha ja tankige seda maapinnal. Kui see pole võimalik, tankige masinat haagisel kanistrist, mitte otse tankuripüstolist.
- Hoidke püstol kütusepaagi või kanistrisuudme servaga tankimise ajal pidevalt kontaktis, kuni tankimine on lõppenud. Ärge kasutage tankuripüstoli lukustit.
- Keerake bensiinikork korralikult kinni ja koristage möödavoolanud kütus ära.
- Kui kütust on sattunud riietele, vahetage riided kohe välja.
- Elektrilise käivitusmootoriga masinatel kasuta tootja poolt ettenähtud pikenduskaableid ja pistikupesid.
- Kruusase või kivipuruga kaetud pinna puhastamiseks kohanda koguri korpust.
- Ärge tehke kunagi ühtegi reguleerimist, kui mootor töötab (välja arvatud juhul, kui tootja seda soovitab).

## Töö

- Ärge pange oma käsi või jalgu pöörlevate osade alla või lähedale. Hoiduge väljalaskeavast alati eemale.
- Ole väga ettevaatlik, kui töötate kruusateel või seda ületate. Ole valvel nähtamatute ohtude eest või kasutades toodet avalikel teedel.
- Pärast kokkupõrget võrkehaga seiska mootor, ühenda süüteküünla juhe lahti, võta elektrimootori toitekaabel lahti, kontrolli lumepuhurit põhjalikult kahjustuste suhtes üle ja kõrvalda võimalikud kahjustused, enne kui lumepuhuri uuesti käivitad ja sellega tööle hakkad.
- Kui masin peaks hakkama ebatavaliselt vibreerima, seiska mootor ja kontrolli viivitamatult põhjust. Vibratsioon annab üldiselt teada tõrkest.
- Seiska mootor alati, kui lahkud tööasendist, enne ummistuse eemaldamist koguri/tiiviku korpusest või viskekanalist ja tehes parandus- või kohendustöid ning ülevaatusi.
- Ära käitage mootorit ruumis muul ajal, kui mootorit käivitades või lumepuhurit hoonesse või sellest välja transportides. Avage välisüksed; heitgaasidurud on ohtlikud.
- Kaldpinnal töötades olge äärmiselt ettevaatlik.
- Ära kunagi käita masinat ilma asjakohaste kaitsete või muude kaitseseadisteta, mis peavad olema paigaldatud ja töökorras.
- Ärge kunagi hoidke väljalaskekanalit inimeste või vara suunas. Hoidke lapsed ja muud inimesed töökohast eemal.
- Vältige masina ülekoormamist, üritades lund liiga kiiresti koristada.
- Ärge käitage masinat kiirel sõidukäigul, kui liigute libedal pinnal. Tagurpidi töötades vaadake taha ja olge ettevaatlik.
- Seadme transportimisel ja selle kasutusvälisel ajal lahuta koguri/tiiviku jõuülekanne.

- Kasuta ainult masina tootja heakskiidetud tarvikuid ja lisaseadmeid (nt rattaraskused, vastukaalud või kabiinid).
- Ära kunagi käita masinat halva nähtavuse või ebapiisava valgustusega kohas. Toetuge alati kindlalt ja hoidke mõlemast käepidemest kindlalt kinni. Kõndige ja ärge kunagi jookske.
- Ärge puudutage mootorit või summutit.

## Ummistunud väljalaskekanali puhastamine

- Kokkupuude pöörleva tiivikuga väljalaskekanalis on levinuim lumekoristusmasinaga juhtunud õnnetuste põhjus. Ärge kunagi kasutage oma kätt väljalaskekanali puhastamiseks.
- Kanali puhastamine:
  1. SEISAKE MOOTOR.
  2. Oodake 10 sekundit, et tiivikulabad kindlasti seiskuks.
  3. Kasuta alati puhastustööriista, mitte oma käsi.

## Hooldus ja hoiuolepanek

- Seadme turvalise töökorra tagamiseks, kontrollige regulaarselt, et lõiketerade ja mootori kinnituspoldid oleksid korralikult kinni.
- Ära kunagi jätta masinat pikemaks ajaks seisma hoonesse, kui kütus on paagis ja süüteallikad läheduses, nt veeboilerid, puhurid või kuivatid. Enne hoones säilitamist laske mootoril esmalt jahtuda.
- Tutvu alati käsutusjuhendi olulise teabega, kui panete lumepuhurit pikemaks ajaks hoiale.
- Hoolda või vaheta vajadusel välja ohutussildid ja juhised.
- Lase masinal mõned minutid töötada, enne kui alustad tööd, et vältida külmumist koguris/tiivikus.
- Lumekoristusmasina puhastamise, remontimise või kontrollimise ajaks seiska mootor ja veendu, et kogur/tiivik ja kõik liikuvad osad on peatunud. Lahutage süüteküünla juhe ja hoidke seda mootori tahtmatu käivitamise vältimiseks süüteküünlast eemal.

## Üldised ohutuseeskirjad

- Kasutage toodet õigesti. Valesti kasutamise tagajärjeks võib olla kehavigastus või surm. Kasutage toodet ainult käesolevas kasutusjuhendis kirjeldatud tööde tegemiseks. Ärge kasutage toodet muude tööde tegemiseks.
- Järgige käesolevas kasutusjuhendis toodud juhiseid. Järgige hoiatussümboleid ja ohutuseeskirju. Kui operaator ei järgi juhiseid, eeskirju ja sümboleid, võib selle tagajärjeks olla kahjustus, kehavigastus või surm.
- Hoidke see kasutusjuhend alles. Tarvitage kasutusjuhendit toote kokkupanemisel, kasutamisel ja heas töökorras hoidmisel. Tarvitage kasutusjuhendit tarvikute ja lisavarustuse õigeks paigaldamiseks. Kasutage ainult heakskiidetud tarvikuid ja lisavarustust.

- Ärge kasutage kahjustatud toodet. Järgige hoolduskeemi. Tehke ainult neid hooldustöid, mille juhised on toodud selles kasutusjuhendis. Kõik ülejäänud hooldustööd peab tegema volitatud hoolduskeskus.
- Selles kasutusjuhendis ei saa kirjeldada kõiki olukordi, mis võivad toote kasutamise käigus ette tulla. Olge ettevaatlik ja kasutage tervet mõistust. Ärge kasutage toodet ega tehke hooldustöid, kui te pole antud olukorras kindel. Vestelge lisateabe saamiseks toote asjatundja, edasimüüja, hooldustöökoha või volitatud hoolduskeskuse esindajaga.
- Enne toote kokkupanemist, hoiule asetamist või hooldustööde tegemist lahutage süüteküünlja juhe.
- Ärge kasutage toodet, kui selle algseid tehnilisi näitajaid on muudetud. Ärge muutke toote ühtegi osa ilma tootja heakskiiduta. Kasutage ainult tootja poolt heaks kiidetud osi. Vale hooldamise tagajärjeks võib olla kehavigastus või surm.
- Ärge hingake sisse mootori heitgaase. Mootori heitgaaside pikaajaline sissehingamine on tervisele ohtlik.
- Ärge käivitage toodet siseruumis ega tuleohtlike materjalide ligidal. Heitgaasid on tulised ja võivad sisaldada sädemeid, mis võivad põhjustada tulekahju. Ebapiisav õhuvahetus võib põhjustada lämbumisest või vingugaasimürgistusest tingitud kehavigastuse või surma.
- Toote mootor tekitab kasutamise ajal elektromagnetvälja. Elektromagnetväli võib kahjustada meditsiinilisi implantaate. Enne toote kasutamist pidage nõu oma arsti ja implantaadi valmistajaga.
- Ärge lubage lastel toodet käsitseda. Ärge lubage kasutusjuhistega mitte tutvunud isikul toodet käsitseda.
- Kui toodet kasutab piiratud füüsiliste või vaimsete võimetega isik, peab ta olema kogu aeg järelevalve all. Vastutusvõimeline täiskasvanu peab kogu aeg kasutaja juures viibima.
- Kasutusel mitte olev toode lukustage kohta, kus lapsed ja volitamata isikud selle juurde ei pääse.
- Toode võib esemeid õhku paisata ja põhjustada kehavigastusi. Vigastus- ja surmaohu vähendamiseks järgige ohutusseeskirju.
- Ärge lahkuge töötava mootoriga toote juurest.
- Õnnetusjuhtumite eest toote kasutamisel vastutab toote operaator.
- Enne tahapoole liikumist ja tahapoole liikumise ajal vaadake enda taha ja jalgade ette, et liikumisteel poleks lapsi loomi ega muid takistusi, mis võiksid põhjustada teie kukkumist.
- Enne toote kasutamist veenduge, et kõik osad oleksid terved.
- Enne toote kasutamise alustamist veenduge, et teised inimesed ja loomad asuksid teist vähemalt 15 m (50 jala) kaugusel. Veenduge, et läheduses

viibivad inimesed oleksid toote kasutamisest teadlikud.

- Tutvuve riiklike või kohalike eeskirjadega. Need võivad toote kasutamist teatud asjaoludel piirata või selle keelata.

## Väljaõpe

- Lugege, õppige selgeks ja järgige juhendis ja masinal toodud info enne kui alustate masina kasutamist. Õppige põhjalikult tundma masina juhtseadiseid ja nende nõuetekohast kasutamist. Õppige, kuidas seadet seisata ja juhtseadiseid kiiresti lahutada.
- Ärge kunagi lubage lastel masinat kasutada. Ärge lubage masinat kasutada kellelgi, keda pole piisavalt instrueeritud.
- Hoidke tööala vaba inimestest, eriti väikestest lastest.
- Olge ettevaatlik ja vältige libisemist ning kukkumist, eriti tagurpidi liikumise ajal.

## Ohutusjuhised kasutamisel

- Ärge pange oma käsi või jalgu pöörlevate osade alla või lähedale. Hoiduge väljalaskeavast alati eemale.
- Ärge väga ettevaatlik, kui töötate kruusateel või seda ületate. Olge tähelepanelik varjatud ohtude ja liikluse suhtes.
- Pärast kokkupõrget võrkehaga seisake mootor, ühendage süüteküünla juhe lahti, võtke elektrimootori toitekaabel lahti, kontrollige seade põhjalikult kahjustuste suhtes üle ja kõrvaldage võimalikud kahjustused enne kui seadme uuesti käivitata ja sellega tööle hakkate.
- Kui seade peaks hakkama ebatavaliselt vibreerima, seisake mootor ja kontrollige viivitamatult põhjust. Vibratsioon annab üldiselt teada tõrkest.
- Seisake alati mootor, kui lahkute masina juhikohalt, samuti enne teo korpuse või kanali deflektori puhastamist ning enne masina remontimist, reguleerimist või kontrollimist.
- Toote puhastamise, remontimise või kontrollimise ajaks seisake mootor ja veenduge, et teod ja kõik liikuvad osad on peatunud. Lahutage süüteküünla juhe ja hoidke seda mootri tahtmatu käivitamise vältimiseks süüteküünlast eemal.
- Ärge käitage mootorit ruumis muul ajal, kui mootorit käivitades või seadet hoonesse või sellest välja ajades. Ärge välisüksed; heitgaasiurud on ohtlikud.
- Kaldpinnal töötades olge äärmiselt ettevaatlik.
- Ärge kunagi käitage seadet ilma asjakohaste kaitsete või muude kaitseesetisteta, mis peavad olema paigaldatud ja töökorras.
- Ärge suunake kanali deflektorit inimeste poole ega niisuguse ala suunas, kus see võib kahjustada vara. Hoidke lapsed ja muud inimesed üldkohast eemal.
- Vältige seadme ülekoormamist, ärkates lund liiga kiiresti koristada.

- Ärge käituge seadet kiirel sõidukäigul, kui liigute libedal pinnal. Tagurpidi töötades vaadake taha ja olge ettevaatlik.
- Seadme transportimisel ja selle kasutusvälisel ajal lahutage tigu jõuülekanne.
- Kasutage ainult toote tootja heakskiidetud tarvikuid ja lisaseadmeid (nt rattaraskused, vastukaalud või kabiinid).
- Ärge kunagi käituge seadet halva nähtavuse või ebapiisava valgustusega kohas. Toetuge alati kindlalt ja hoidke mõlemast käepidemest kindlalt kinni. Kõndige ja ärge kunagi jookske.
- Ärge puudutage mootorit või summutit.

## Tööala ohutus

- Kontrollige masina töösoon põhjalikult üle ning eemaldage sealt näiteks uksematid, kelgud, traadid ja muud võõrkehad.
- Enne mootori käivitamist lahutage kõik sidurid ja lülitage sisse tühikäik.
- Ärge kasutage toodet ilma piisavate talverõivasteta. Ärge kandke lahtisi rõivaid, mis võivad masina liikuvate osade külge haakuda. Kandke jalanõusid, mis annavad tuge libedal pinnal.
- Käsitsege kütust ettevaatlikult - see on väga tuleohtlik.
  - Säilitage kütust vaid selleks otstarbeks valmistatud nõudes.
  - Ärge kunagi tankige töötavat või kuuma mootorit.
  - Tankige õues, toimides väga ettevaatlikult. Ärge kunagi tankige siseruumis.
  - Ärge kunagi valage kütust sõidukis või autokastis, mille põhi on valmistatud plastist. Enne tankimist asetage kanistrid alati maapinnale, sõidukitest eemale.
  - Võimalusel tõstke bensiinimootoriga masin sõidukilt või haagiselt maha ja tankige seda maapinnal. Kui see pole võimalik, tankige masinat haagisel kanistrist, mitte otse tankuripüstolist.
  - Hoidke püstol kütusepaagi või kanistrisuudme servaga tankimise ajal pidevalt kontaktis, kuni tankimine on lõppenud. Ärge kasutage tankuripüstoli lukustit.
  - Keerake bensiinikork korralikult kinni ja koristage möödavoolanud kütus ära.
  - Kui kütust on sattunud riietele, vahetage riided kohe välja.
- Elektrimootori või elektrilise käivitusmootoriga masinatel kasutage tootja poolt ettenähtud pikenduskaableid ja pistikupesid.
- Kruusase või kivipuruga kaetud pinna puhastamiseks kohandage teo korpusi.
- Ärge tehke kunagi ühtegi reguleerimist, kui mootor töötab (välja arvatud juhul, kui tootja seda soovib).
- Töö ja reguleerimise või remondi ajal kandke alati kaitseprille või -maski, et kaitsta oma silmi masinast eemale paiskuda võivate võõrkehade eest.

## Kaitsevarustus

Toote kasutamise ajal kandke alati kohast isiklikku kaitsevarustust. Minimaalne kaitsevarustuse komplekt koosneb tugevatest jalatsitest, silmade kaitsevahendist ja kõrvaklappidest. Isikukaitsevarustus ei välista kehavigastuste tekkimist, kuid vähendab õnnetusjuhtumi korral kehavigastuse raskusastet.

- Seadet käitades ja seda reguleerides või remontides kandke alati kaitseprille või -maski.
- Kandke toote kasutamisel alati sobivaid talverõivaid.
- Kasutage toote kasutamise ajal alati tugevaid libisemiskindlaid saapaid, millel on hea pahkluu tugi.
- Ärge kandke avaraid rõivaid, mis võivad liikuvate osade külge takerduda.
- Vajadusel kandke nõuetekohaseid kaitsekindaid. Näiteks tera kinnitamisel, uurimisel või puhastamisel.
- Toote kasutamisel kandke alati heakskiidetud kõrvaklappe. Pikaajaline müraekskonnas viibimine võib põhjustada müra- ja kuulmiskahju.

## Toote ohutusseadised

- Tehke regulaarselt toote ettenähtud hooldustöid.
  - Toote kasutamisega pikeneb.
  - Õnnetuste oht väheneb.

Laske toode edasimüüja juures või volitatud hoolduskeskuses regulaarselt läbi vaadata ja teha vajalikud reguleerimis- või parandustööd.

- Ärge kasutage toodet, kui kaitseadised on kahjustatud. Kui toode saab kahjustada, pöörduge volitatud hoolduskeskusesse.

## Summuti

Summuti ülesandeks on hoida müratase võimalikult madalal ja suunata mootori heitgaasid kasutajast eemale.

Ärge kasutage seadet, kui summuti puudub või on kahjustatud. Kahjustatud summuti tõstab mürataset ja suurendab tulekahju ohtu.



**HOIATUS:** Seadme töötamise ajal ja vahetult pärast töötamist ning mootori tühikäigul töötamise ajal on summuti väga kuum. Tulekahju vältimiseks olge tuleohtlike materjalide ja/või aurude läheduses väga ettevaatlik.

## Ohutusnõuded kütuse käsitlemisel



**HOIATUS:** Enne seadme kasutamist lugege läbi järgnevad hoiatused.

- Ärge käivitage toodet, kui toote pinnale on sattunud kütust või mootoriõli. Eemaldage kütus/õli toote pinnalt ja laske tootel kuivada.
- Kui kütus satub rõivastele, siis vahetage kohe riided.

- Vältige kütuse sattumist nahale, see võib põhjustada kehavigastusi. Kui kütus satub kehale, puhastage piirkond seebi ja veega.
- Ärge käivitage toodet, kui mootor lekib. Kontrollige regulaarselt mootori lekkekindlust.
- Olge kütuse käsitsemisel ettevaatlik. Kütus on tuleohtlik ja kütuse aaurud on plahvatusohtlikud ning võivad põhjustada kehavigastusi või surma.
- Ärge hingake sisse kütuseaure, see võib põhjustada kehavigastuse. Tagage piisav õhuvahetus.
- Ärge suitsetage kütuse ega mootori läheduses.
- Ärge asetage kuumi esemeid kütuse ega mootori lähedusse.
- Ärge tankige kütust, kui mootor töötab.
- Enne tankimise alustamist veenduge, et mootor oleks külm.
- Enne tankimise alustamist avage aeglaselt kütusepaagi kork ja laske survel alaneda.
- Ärge tankige mootorit siseruumis. Ebapiisav õhuvahetus võib põhjustada lämbumisest või vingugaasimürgistusest tingitud kehavigastuse või surma.
- Pingutage kütusepaagi korki korralikult. Pingutamata kütusepaagi kork põhjustab tuleohtu.
- Enne käivitamist viige toode vähemalt 3 m kaugusele kohast, kus toimus kütusepaagi täitmine.
- Ärge täitke kütusepaaki täielikult. Soojuse mõjul kütus paisub. Jätke kütusepaagi ülaserava vaba ruumi.

California osariigile teadaolevalt vähki, sünnidefekte ja teisi paljunemisvõimet kahjustavaid mõjusid. Lisateavet vt [www.P65Warnings.ca.gov](http://www.P65Warnings.ca.gov).

## Ohutusjuhised hooldamisel



**HOIATUS:** Enne seadme kasutamist lugege läbi järgnevad hoiatused.

- Mootori heitgaasid sisaldavad vingugaasi, mis on lõhnatu, mürgine ja väga ohtlik. Ärge käivitage mootorit siseruumis ega suletud alal.
- Enne toote hooldamist seisake mootor ja eemaldage süüteküünlä süütejuhe.
- Lõiketerade hooldamise ajal kandke kaitsekindaid. Lõiketerad on väga teravad ja võivad kergesti põhjustada löikehaavu.
- Tootja heakskiiduta tarvikud ja muudatused toote juurest võivad põhjustada tõsiseid kehavigastusi või surma. Ärge muutke toodet. Kasutage tootja heakskiidetud tarvikuid.
- Kui toodet regulaarselt ja õigesti ei hooldata, suureneb oht, et toode saab kahjustada ja võib kedagi vigastada.
- Hooldage toodet ainult selle kasutusjuhendi järgi. Muid hooldustöid tuleb lasta teha volitatud hooldustöökojas.
- Laske toodet regulaarselt hooldada volitatud hooldustöökojas.
- Asendage kahjustatud, kulunud ja katkised osad.

## Keemiline hoiatus



**HOIATUS:** Selle toote mootori heitgaasid sisaldavad kemikaale, mis põhjustavad

## Kokkupanek



**HOIATUS:** Enne seadme kokkupanekut lugege ohutuspeatükki ja tehke selles olev teave endale arusaadavaks.

## Käepidemete paigaldamine

1. Eemalda korpusest 4 äärikupolti M8 x 25 (A).
2. Kasuta 4 äärikupolti M8 x 25 (A), 4 vedruseibi (B) ja 4 tavalist seibi (C).
3. Paigalda alumine käepide (D) kahte avasse korpuse mõlemal küljel. (Joon. 25)
4. Kasuta 3 käepideme lukustuspoliti M8 x 50 (A), kolme seibi (B), kolme käepideme nuppu (C), kolme lukustusmutrit (D).
5. Paigalda juhtpaneeliga ülemine käepide (E) alumise käepideme külge. (Joon. 26)

## Kanali deflektori monteerimine

1. Eemalda korpusest pöördketas (B) ja 6 kuuskantpeaga äärikupolti (D).
2. Kinnita pöördketas (B) ja kanali deflektor (A) kanali alusele, kasutades kolme liikumispiirikut (C).
3. Kasuta 6 kuuskantpeaga äärikupolti (D) ja 6 lukustusmutrit (E), et lukustada liikumispiirikud (C). (Joon. 27)

## Kanalipööraja monteerimine

1. Kanalipööraja esiosa koostamine
2. Paigalda plastist puks (B) kanalipööraja esiossa.
3. Kinnita kanalipööraja ühe seibi (A) ja ühe tihtviga (C). (Joon. 28)
4. Kanalipööraja tagaosaga koostamine.
5. Kasuta ühte lukustusmutrit M8 (A), ühte plastist lukustuskäepideme nuppu (B), kahte kumerat seibi (C) ja ühte kruvi (D), et kanalipööraja kokku panna.

6. Kasuta 1 kuuskantmutrit M8 (E), et kinnitada kanalipööraja (F) käepideme avadesse. (Joon. 29)

## Ajamikiiruse juhtvarda koostamine

1. Paigalda ajamikiiruse juhtvarda pikk painutatud ots (A) juhtpaneeli külge ja kinnita see ühe vardavedru (B), ühe seibi (C) ja 1 splindiga (D). (Joon. 30)
2. Tõmba üles käiguvahetusplaat (B) ja paigalda ajamikiiruse juhtvarda lühike ots (A). Kinnita ajamikiiruse juhtvarras (A) ühe seibi (C) ja splindiga (D). (Joon. 31)
3. Vajaduse pikenda ajamikiiruse juhtvarrast. Keera pöördpandla lukustuskruid lahti ja keeruta pannalt. Keera pöördpandla tagasi kinni oma esialgsesse

asukohta kiiruse õigeks kontrollimiseks. Algne asukoht on keermele märgitud. (Joon. 32)

## Teo ja ajamikaablite koostamine

1. Eemalda kaks kaabli kruvipolti (B) kaablitelt (D).
2. Kinnita kask kaabli kruvipolti (B) avadesse vasaku ja parema käepidemes (A). (Joon. 33)
3. Kinnita kaablid (D) kaabli kruvipoltidega (B).
4. Ühenda ja lukusta vasaku ja parema kaabli keermesisestus (D) ja kaabli kruvipolt (B), kuni messingust lukustusmutri ülaosa (C) on ühel joonel keermel oleva märgiga (E).
5. Lukusta messingust lukustusmutriga kaabel (C).

## Töö



**HOIATUS:** Enne seadme kasutamist lugege hoolikalt läbi ohutust puudutav jaotis ja kasutusjuhised ning veenduge, et oleksite neis sisalduvat teavet mõistnud.



**ETTEVAATUST:** Ärge kasutage väljaspool Põhja-Ameerikat bensiini, mille oktaaniarv on alla 90 RON (87 (R+M)/2 Põhja-Ameerikas). See võib seadet kahjustada.

## Enne toote käivitamist

- Veenduge, et tööpiirkonnas pole võõraid isikuid ega loomi.
- Seadet hooldatakse igapäevaselt. Vt jaotist *Hooldusskeem lk 127*.
- Veenduge, et süütejuhe asetseks süüteküünlal õigesti.
- Vajadusel lisage õli või bensiini. Vt jaotist *Õli valamine mootorisse lk 125*.

## Õli valamine mootorisse



**ETTEVAATUST:** Õli kontrollimisel ärge pöörake õlimõõtevarrast. Ärge täitke mootorit õliga märgisest kõrgema nivooi.

1. Eemaldage õlipaagi kork ning pühkige õlivarras puhtaks. Õlivarda asukoht on näidatud jaotises *Toote tutvustus lk 119*.
2. Täitke mootor õliga kuni õlivarda ülemise tähiseni. Õlitaseme regulaarseks kontrollimiseks kasutage õli mõõtevarrast.
3. Pange õlikork tagasi.

## Kütuse tankimine

Võimaluse korral kasutage keskkonnasäästlikku bensiini/alkülaatbensiini. Kui keskkonnasäästlik bensiin või alkülaatbensiin pole saadaval, kasutage kvaliteetset pliivaba bensiini. Kasutage bensiini, mille oktaaniarv on väljaspool Põhja-Ameerikat 90 RON (87 (R+M)/2 Põhja-Ameerikas) või kõrgem ja maksimaalne etanoolisisaldus 10% (E10).

1. Surve vabastamiseks avage kütusepaagi kork aeglaselt.
2. Lisage kütust aeglaselt kütusenõust. Mahavalgumise korral eemaldage osa kütust lapiga ja laske ülejäänul ära kuivada.
3. Puhastage kütusepaagi korgi ümbrus.
4. Pingutage kütusepaagi korki korralikult. Pingutamata kütusepaagi kork põhjustab tuleohtu.
5. Enne käivitamist viige toode vähemalt 3 m kaugusele kohast, kus toimus kütusepaagi täitmine.

## Kanali deflektori reguleerimine

Lume väljaviskamise suunda juhitakse kanalipööraja juhtelemendiga, mis paigaldatakse vasakpoolsele käepidemele.

1. Keerake kanalipööraja juhtelementi, et määrata väljavisatava lume pöörlemissuund.
2. Keerake kanalipööraja juhtelementi päripäeva, et lund heidetaks paremale.
3. Keerake kanalipööraja juhtelementi vastupäeva, et lund heidetaks vasakule. (Joon. 34)
4. Liigutage nurgadeflektorit üles või alla, et reguleerida lume heitekaugust. (Joon. 35)

## Mootori käivitamine

1. Vabasta ühendatud ajam. Pane ajamikiiruse juhtkang esimesse asendisse.
2. Keera kütuselüliti asendisse (ON) SEES. (Joon. 36)
3. Keera õhuklapp asendisse CLOSE (SULETUD). (Joon. 37)
4. Sea süütevõti asendisse RUN (KÄIVITUS). (Joon. 38)

- Vajuta etteandepumpa 1–3 korda, et käivitada abipump. Kasuta abipumpa külmaks käivitamiseks madalatel temperatuuridel. (Joon. 39)
- Tõmba käivitusnööri käepidemest. (Joon. 40)



**ETTEVAATUST:** Ära lase käivitusnööri käepidemest kohe lahti. Viige see aeglaselt algasendisse tagasi.

**Märkus:** Kui nõrkäivitus käepide on külmunud, tõmmake käivitusnööri starterist välja niipalju kui võimalik ja laske seejärel käivitusnööri käepidemest lahti. Kui mootor ei käivitu, korrake toimingut või kasutage elektrilist starterit.

- Enne lume viskamist laske mootoril 30-40 minutit tühikäigul töötada.
- Kui mootor on soe, siis liigutage õhuklapp aeglaselt asendisse OPEN (AVATUD). (Joon. 41)

## Mootori elektriliseks käivitamiseks



**HOIATUS:** Sellel tootel on 230 V vahelduvvoolupõhine starter. Ära kasuta elektrilist starterit, kui seadme korpusel pole korrektset maandust. Vastasel juhul võite saada tõsiseid vigastusi või kahjustada toodet. Elektrilisel starteril on kolmesooneline toitepistik ja see on ette nähtud 230 V majapidamisvooluga töötamiseks. Veendu, et majas oleks paigaldatud 230 V kolmejuhtmeline vahelduvvoolu maandus. Kui te pole kindel, pöörduge litsentsitud elektriku poole.

**Märkus:** Kasuta välistöödeks soovitatud pikendusjuhet, mille juhtmesuurus on vähemalt 16 AWG (1,5 mm<sup>2</sup>) ning mille pikkus ei ületa 15 m.

- Vabasta ühendatud ajam. Pane ajamikiruse juhtkang esimesse asendisse.
- Keera kütuselüliti asendisse (ON) SEES. (Joon. 36)
- Keera õhuklapp asendisse CLOSE (SULETUD). (Joon. 37)
- Sea süütevõti asendisse RUN (KÄIVITUS). (Joon. 38)
- Vajuta etteandepumpa 1–3 korda, et käivitada abipump. Kasuta abipumpa külmaks käivitamiseks madalatel temperatuuridel. (Joon. 39)
- Ühenda toode toitega. (Joon. 42)
- Vajuta ja hoiä käivitusnuppu juhtkarbis 5 sekundit all. (Joon. 43)
- Kui mootor ei käivitu, oota enne uuesti proovimist 5 sekundit.



**ETTEVAATUST:** Ära proovi mootorit käivitada rohkem kui 10 korda. Pärast 10

korda oodake 40 minutit, enne kui proovid uuesti.

- Lahuta toitejuhe tootest, kui mootor on käivitatud.
- Enne lume viskamist laske mootoril 30-40 minutit tühikäigul töötada.
- Kui mootor on soe, siis liigutage õhuklapp aeglaselt asendisse OPEN (AVATUD). (Joon. 41)

## Toote kasutamine

- Lükka teo rakendushooba käepideme suunas, et ühendada tigu ja lumeviskemehhanism. (Joon. 44)
- Liiguta ajamikiruse juhtkangi vasakule, et liigutada toodet edasi. Liiguta ajamikiruse juhtkangi paremale, et liigutada toode tagasi. (Joon. 45)
- Juhtige ajami ühendamist õige käepidemega.
- Lükka ajami ühendust käepideme suunas, et ühendada ajamirattad. Toode liigub edasi või tagasi olenevalt ajamikiruse juhtkangi asukohast. (Joon. 46)

## Seadme seiskamine

**Märkus:** Hädaolukorras lülita mootor välja, tõmba on/off-võti välja.

- Vabasta ajami ühendus, et peatada ajamirattad.
- Vabasta teoühendus, et lahutada tigu ja peatada lume heitmine. (Joon. 47)
- Keera kütuselüliti asendisse (OFF) SEES. (Joon. 48)
- Tõmba välja on/off-võti. (Joon. 49)

## Hea tulemuse saavutamiseks

- Käitage mootorit alati täispööretel või peaaegu täispööretel.
- Lähtuge seadme kiiruse valikul lumeoludest ja reguleerige kiirust ajami kiiruse juhthoovaga. Veenduge, et seade viskaks lund ühtlaselt.
- Lund on kergem ja tõhusam eemaldada kohe pärast seda, kui see maha sajab.
- Võimalusel suunake lume väljalase allatuult.
- Tasasel pinnal, näiteks asfaltteel, tõstke liugplaadid maapinnast kuni 5-6 mm (0,2-0,25 tolli) kõrgusele.
- Kaabitsat saab ümber pöörata Kui see on kulunud peaaegu korpuse servani, pöörake see ümber. Kui kaabits on kahjustatud või mõlemalt poolt kulunud, vahetage see välja.
- Ärge kasutage kanali deflektorit, kui see on ummistunud.
- Kui seade ei liigu ettenägematute asjaolude tõttu edasi, vabastage ajami rakendusmehhanism või pöörake süütevõti asendisse OFF (VÄLJAS).

# Hooldamine

## Hooldusskeem

Hooldamine	Üks kord päevas	20 tundi	50 tundi	100 tundi
Veenduge, et kõik mutrid ja kruvid oleksid pingutatud.	X			
Kontrollige mootoriõli taset.	X			
Vahetage õli <sup>43</sup>		X	X	X
Veenduge, et poleks kütuse- ja õlilekkeid.	X			
Eemaldage teost ummistus, võõrkehad.	X			
Kontrollige rehvirõhku <sup>44</sup>			X	
Kontrollige ja vahetage süüteküünlal <sup>45</sup>				X

**Märkus:** Käigukasti pole vaja määret lisada ega muul viisil hooldada.

## Üldülevaatuse läbiviimine

- Veenduge, et kõik toote mutrid ja kruvid oleksid korralikult kinni pingutatud.

## Õlitaseme kontrollimine



**ETTEVAATUST:** Liiga madal õlitase võib mootorit kahjustada. Enne toote käivitamist kontrollige õlitaset.

1. Asetage toode tasasele pinnale.
2. Eemaldage õlipaagi kork koos kinnitatud mõõtevardaga.
3. Puhastage mõõtevarras õlist.
4. Õlitaseme õigesti mõõtmiseks asetage mõõtevarras täies pikkuses õlipaaki.
5. Eemaldage õlivarras.
6. Vaadake mõõtevardalt õlitaset.
7. Kui õlitase on madal, lisage mootoriõli ja kontrollige õlitaset uuesti.

## Mootoriõli vahetamine

1. Käivitage mootor mõneks minutiks, et õli soojendada. Soe õli voolab paremini ja sisaldab rohkem saasteaineid.



**HOIATUS:** Mootoriõli on kuum. Välti kokkupuudet kasutatud mootoriõliga.

2. Asetage toode tasasele pinnale.
3. Käita lumekoristusmasinat, kuni kütus lõpeb.
4. Eemalda süütevõti.
5. Asetage mootoriõli tühjenduskorgi alla kogumisanum.
6. Eemalda õlitühjendusava kork, kallutage toodet tahapoole ja laske kasutatud õli mahutisse. (Joon. 50)
7. Pane seade tööasendisse tagasi.
8. Pane õli tühjendus kork tagasi ja keera käega kinni.
9. Mootori õliga täitmise juhiseid vaadake jaotisest *Õli vahamine mootoris lk 125*.

<sup>43</sup> Vahetage õli välja pärast esimest 20, 50 ja 100 töötundi ning seejärel iga 100 tunni järel.

<sup>44</sup> Vt jaotist Tehnilised andmed rehvirõhu kohta.

<sup>45</sup> Enne hooaja esimest kasutuskorda kontrollige ja puhastage süüteküünlal.

## Süüteküünla kontrollimine



**ETTEVAATUST:** Kasutage alati soovitatud tüüpi süüteküünalt. Vale tüüpi süüteküünal võib toodet kahjustada.

- Kontrollige süüteküünalt, kui mootori võimsus on madal, mootor ei käivitu kergesti või ei tööta tühikäigul korralikult.
- Süüteküünla elektroodidele võõrainete kogunemise ohu vähendamiseks täitke järgmisi juhiseid.
  - a) Veenduge, et tühikäigu pöörete arv on õigesti seadistatud.
  - b) Veendu, et kütusetüüp oleks õige.
  - c) Veendu, et õhufilter oleks puhas.
- Kui süüteküünal on määrdunud, puhastage see ja kontrollige, kas elektroodide vahe on õige, vt jaotist *Tehnilised andmed lk 132*. (Joon. 51)
- Vajaduse korral vahetage süüteküünal välja.

## Tigude ja kaabitsa kontrollimine

1. Enne seadme kasutamist veenduge, et ei teod ega kaabits pole kulunud.
2. Kui kaabits on kulunud, pöörake see teistpidi. Kui kaabits on mõlemalt poolt kahjustatud või kulunud, vahetage see välja.
3. Kui tigude servad on kulunud, võtke ühendust volitatud hoolduskeskusega ja paluge need vahetada.

## Liugplaatide reguleerimine

Liugplaadid kaitsevad lumepuhuri põhja kahjustuste eest. Liugplaate (A) tuleb reguleerida, kui lukustusmutter (B) on tulnud lahti või kui liugplaat pole maapinnast õigel kaugusel. Standardseadistuse puhul pole nende reguleerimine vajalik.

1. Keerake lukustusmutter (B) lahti 13 mm (½-tollise) lehtvõtmega.
2. Liigutage liugplaate (A) üles või alla.
  - a) Tasastel pindadel seadistage kaabitsa ja maapinna vaheliseks kauguseks 5–6 mm (0,2–0,25 tolli).
  - b) Ebatasastel pindadel seadistage liugplaadid (A) asendisse, kus kaabits jääks maapinna peale.



**HOIATUS:** Vältige kruusa ja kivide sattumist seadmesse. Suurel kiirusel

õhku paiskuvad esemed võivad tekitada vigastusi.

3. Keerake lukustusmutter (B) kinni. (Joon. 52)

## Nihketihvti vahetamine

Nihketihvtid kaitsevad toodet kahjustuste eest. See puruneb, kui võõrkeha siseneb liikuvate osade vahele.

1. Kui nihketihvt puruneb, siis peata mootor.
2. Kinnita uus nihketihvt (A) ja uus kinnitusvedru (B). (Joon. 53)

## Rehvide ülevaatus

- Kummi kahjustamise vältimiseks puhastage rehvidelt kütuse-, õli- ja kemikaalide jäägid.
- Vältige rehvide kokkupuutumist kändude, kivide, pinnase järskude ebatasasustega, teravate esemete ja muu ohtlikuga, mis võib rehve kahjustada.
- Jälgige, et rehvirõhk oleks sobiv, vaadake *Tehnilised andmed lk 132*.

## Väljaviskekanali suunaja ummistusest vabastamine

Enne kui hakkate väljaviskekanali suunajat ummistusest vabastama, teostage järgmised toimingud.

1. Vabastage tigulaaduri ja ajami rakendusmehhanismid samal ajal.
2. Oodake 10 sekundit, kuni tigulaadurid seiskuvad.
3. Seisake seade.
4. Kasutage ummistuse eemaldamiseks puhastustööriista (vähemalt 37 cm (15 tolli) pikkune, mõnede mudelite puhul sisaldub komplektis).



**HOIATUS:** Ärge pange kätt väljaviskekanali suunaja ega tigulaaduri kopa sisse.

## Toote puhastamine

- Puhastage plastosi puhta ja kuiva lapiga.
- Ärge kasutage seadme puhastamiseks survepesurit.
- Ärge valage vett otse mootorile.
- Eemaldage lehed, muru ja pori harja abil.



# Veotsing

## Veotsing

Probleem	Võimalik põhjus	Lahendus
Toode ei käivitu	Süütevõti pole sisestatud.	Sisestage süütevõti.
	Kütus on otsas.	Täitke kütusepaak värske ja puhta tavabensiiniga.
	Süütevõti on eemaldatud (OFF).	Liiguta süütevõti asendisse ON.
	Õhuklapp on asendis OFF (CLOSE).	Seadke õhuklapi hoob asendisse ON (FULL, OPEN).
	Kütuse etteandepumba nupp pole alla vajutatud.	Vajutage kütusepumba nuppu.
	Mootor on üle ujutatud.	Oodake mõni minut enne taaskäivitamist, ÄRGE eeltäitke.  Taaskäivitage mootor, kui täisgaasil, hoides õhuklappi asendis OFF (CLOSE).
	Süüteküünal pole ühendatud.	Ühendage juhe süüteküünalaga.
	Süüteküünal on defektne.	Vahetage süüteküünal.
	Kütuses on vett või kütus on liiga vana.	Tühjendage kütusepaak ja karburaator. Täitke kütusepaak värske ja puhta tavabensiiniga.
	Kütusevoolikus on aur.	Veenduge, et kõik kütusevoolikud on kütusepaagi väljalaskevast allpool. Kütusevoolik peaks jooksuma otse kütusepaagist karburaatorisse.
	Muud põhjused.	Tutvuge selles juhendis kirjeldatud algprotseduuride juhistega hoolikalt.
	Kütuselüliti (kui kuulub varustusse) on asendis CLOSE (VÄLJAS).	Keerake kütuselüliti asendisse OPEN (ON) (SEES).
Gaasihoob on asendis STOP.	Viige gaasihoob asendisse FAST.	

<b>Probleem</b>	<b>Võimalik põhjus</b>	<b>Lahendus</b>
Vähendatud võimsus	Süüteküünal pole ühendatud.	Ühendage juhe süüteküünlaga.
	Toode viskab liiga palju lund.	Vähendage kogumisava laiust ja viskekiirust.
	Kütusepaagi kork on kaetud jää või lumega.	Eemaldage jää ja lumi kütusepaagi korgi pealt ja ümbert.
	Summuti on määrdunud või ummistunud.	Puhastage summuti või vahetage see välja.
	Kaabel on ebasobiva pikkusega.	Kohandage kaablit.
	Summuti liikumine on takistatud.	Veenduge, et mootor on külms. Eemaldage ummistus.
	Karburaatori õhu sissevõtuava on blokeeritud.	Veenduge, et mootor on külms. Eemaldage ummistus.
Mootor on tühikäigul või töötab raskelt	Õhuklapp on asendis ON (FULL, OPEN).	Liigutage õhuklapp asendisse OFF (CLOSE).
	Kütusevoolik on umbes.	Puhastage kütusevoolik.
	Kütuses on vett või kütus on liiga vana.	Tühjendage kütusepaak ja karburaator. Täitke kütusepaak värske ja puhta tavabensiiniga.
	Karburaator tuleb välja vahetada.	Võtke ühendust volitatud hoolduskeskusega.
	Rihm on välja veninud.	Vahetage tigulaaduri v-vöö välja.
Liigne vibratsioon/käepideme liikumine	Mõned osad on lahti. Tigulaadurid on kahjustatud.	Pingutage kõiki kinniteid. Vahetage välja kõik kahjustatud osad. Kui vibratsioon ei kao, võtke ühendust volitatud hoolduskeskusega.
	Käepidemed pole õiges asendis.	Veenduge, et käepidemed on lukustatud õigesse asendisse.
	Reguleerimishoova mutrid on lahti.	Pingutage mutreid, kuni tunnete, et käepide on ohutult kinnitatud.
Starteri käivitusnööri käepidet on raske tõmmata	Starteri käivitusnööri käepide on külmunud.	Tõmba käivitusnööri aeglaselt start-erist välja niipalju kui võimalik ja lasse seejärel käivitusnööri käepidemest lahti. Kui mootor ei käivitu, korrake toimingut või kasutage elektrilist starterit.
	Nöör puutub kokku teiste komponentidega.	Käivitusnöör ei tohi teiste juhtmete või voolikutega kokku puutuda.

Probleem	Võimalik põhjus	Lahendus
Veojõu kadumine/sõidu-kiiruse aeglustumine  Lume väljaviske seiskumine või aeglustumine	Rihm libiseb.	Kohandage kaablit. Reguleerige rihma.
	Rihm on kulunud.	Kontrollige rihma ja vajadusel vahetage see.
	Rihm on rihmarattalt maas.	Kontrollige rihma ja pange see rattale tagasi.
	Kanali deflektor on ummistunud.	Puhastage kanali deflektor.
	Võõrkehad ummistavad tigulaadureid.	Eemaldage tigulaadurilt praht või võõrkeha.
	Nihketihvt on katki.	Vahetage katkine nihketihvt välja.
	Ülemäärane lumi ja jää kogunevad roomiku komponentide vahele.	Eemaldage ülemäärane lumi ja jää roomiku komponentide vahelt.
	Hõõrdeajami veoratas on kulunud.	Võtke ühendust volitatud hoolduskeskusega.
Tigulaadur ei pöörle pärast pöörde rike pärast käepideme vabastamist	Veorihm pole joondatud.	Reguleerige veorihma.
	Väljastusdeflektor pole joondatud.	Reguleerige väljastusdeflektorit.
Tuled pole sisse lülitatud (kui on paigaldatud)	Mootor ei tööta.	Käivitage mootor.
	Kaabliühendus on lahti.	Kontrollige mootori ja tulede kaabliühendusi.
	LED on läbipõlenud.	Vahetage LED-moodul välja. Üksikuid LED-e ei saa asendada.
Väljaviske pöördpead on raske liigutada	Väljaviske pöördpea mehhanismis on praht.	Puhastage väljaviske pöördpea mehhanismi sisemised osad.
	Kaablid on sõlmes või kahjustatud.	Veenduge, et kaablid pole sõlmes. Vahetage kahjustatud kaablid välja.
Toode pöördub ühele küljele	Rehvirõhk ei ole võrdne.	Reguleerige rehvirõhku ja täitke rehvi.
	Seadmel on vaid üks vedav ratas.	Kontrollige rehvi lukustustihvti.
	Plastalus on ebaühtlaselt reguleeritud.	Reguleerige liugplaate ja kelku.
	Liugplaadid on ebaühtlaselt reguleeritud.	Reguleerige liugplaate ja kelku.

## Transportimine, hoiulepanek ja utiliseerimine

### Transportimine ja hoiustamine

- Toote ja kütuse transportimisel ning hoiustamisel veenduge, et puuduvad lekked ja aurud. Elektriseadmetest või boileritest pärit sädemed ja lahtine leek võivad põhjustada tulekahju.
- Kütuse transportimiseks ja hoiustamiseks kasutage heakskiidetud mahuteid.
- Toote pikaks ajaks hoiule panemisel tühjendage eelnevalt kütusepaak.
- Kui karburaatori kütuseanumal on tühjendus kork, siis eemaldage kütus karburaatorist, enne kui paned toote pikemaks ajaks hoiule.
- Transportimisel kinnitage toode ohutult, et ära hoida kahjustusi ja õnnetusi.
- Hoidke toodet lukustatud kohas, kus sellele ei pääse juurde lapsed ega volitamata isikud.
- Hoidke toodet kuivas kohas, mis ei külmu.

## Kõrvaldamine

- Järgi kohalikke utiliseerimiseeskirju ja kehtivaid seadusi.

- Kemikaalid (nt mootoriõli ja kütus) kõrvalda hoolduskeskuses või spetsiaalses jäätmejaamas.
- Kõrvalda toode kasutuselt sobivas jäätmejaamas või saade see Husqvarna kõrvaldamisele.

## Tehnilised andmed

### Tehnilised andmed

	ST 124
<b>Mõõtmed</b>	
Mass tühjade paakidega, kg	76
Maksimaalne rehvirõhk töö ajal, PSI	20
Sisselaskeava kõrgus, cm	53,3
Töölaius, cm	61
<b>Mootor</b>	
Kaubamärk	Husqvarna
Mootori nimivõimsus, kW	4,3
Kubatuur, cm <sup>3</sup>	212
Kütuse liik	Pliivaba (maksimaalselt 10% etanooli)
Kütuse mahutavus, gal/l	0,58/2,2
Õli tüüp (API SJ-SN)	SAE 5W30 (alla 0°C (32 °F))
Õli mahutavus, fl. oz./l	20/0,6
<b>Elektrisüsteem</b>	
Süüteküüнал	F7RTC
Süüteküünla elektroodide vahe (tolli/mm)	0,027-0,031/ 0,7-0,8
<b>Müratasemed</b> <sup>46</sup>	
Helitugevuse tase, dB(A)	100
Müravõimsustase, garanteeritud L <sub>WA</sub> dB(A)	102
<b>Müratase</b> <sup>47</sup>	
Helirõhutase kasutaja kõrva juures, mõõdetud L <sub>p</sub> (dB(A))	86
<b>Vibratsioonitasemed, a<sub>hveq</sub></b> <sup>48</sup>	
Vibratsioonitase käepideme juure, vasak/parem	4,15/4,08

<sup>46</sup> Müraemissioon ümbritsevasse keskkonda, mõõdetud helivõimsuse tasemena (L<sub>WA</sub>) vastavalt EÜ direktiividele 2000/14/EÜ ja 2005/88/EÜ. Müraemissiooni kohta toodud andmete statistiline dispersioon (standardhälve) on 1,5 dB(A). Määramatus ±1,5 dB (A)

<sup>47</sup> Müra rõhutase standardi EN ISO 11201 järgi. Helirõhutase kohta toodud andmete statistiline dispersioon (standardhälve) on 1,5 dB (A). Määramatus ±1,5 dB (A)

<sup>48</sup> Vibratsioonitase standardi ISO 8437-4 lisa B kohaselt. Määramatus = 1,5 m/s<sup>2</sup>

# EÜ vastavusdeklaratsioon

## EL-I VASTAVUSDEKLARATSIOONI SISU

Meie, Husqvarna, SE-561 82 Huskvarna, ROOTSI, deklareerime ainuvastutusel, et kirjeldatud toode:

Kirjeldus	Lumepuhur
Kaubamärk	Husqvarna
Platvorm/tüüp/mudel	ST 124
Partii	Seerianumber alates aastast 2020.

vastab täielikult järgmistele EÜ direktiividele ja eeskirjadele:

Direktiiv/eeskiri	Kirjeldus
2006/42/EÜ	„masinadirektiiv“
2014/30/EL	„elektromagnetilise ühilduvuse direktiiv“
2000/14/EÜ; 2005/88/EÜ	„välitingimustes kasutatavate seadmete müra direktiiv“
2011/65/EL	„direktiiv teatavate ohtlike ainete kasutamise piiramise kohta“

Kohalduvad järgmised ühtlustatud standardid ja/või tehnilised spetsifikatsioonid: EN ISO 12100:2010, EN ISO 14982:2009, ISO 8437-1:2019, ISO 8437-2:2019, ISO 8437-4:2019, ISO 3744:1995, EN 1032:2003+A1:2008, EN 50581:2012

Vastavalt direktiivi 2000/14/EÜ+2005/88/EÜ lisale V on deklareeritud helitaseme väärtused toodud tehniliste andmete jaotises ja allkirjastatud EÜ vastavusdeklaratsioonis.

Tarnitud lumepuhur vastab näidisele, mis läbis kontrolli.

Ettevõtte Husqvarna AB nimel, SE-561 82 Huskvarna, Rootsi, 2020-02-07



Claes Losdal

Euroopa Liidu piires kehtestatud tehniliste failide koostamise eest vastutab

---

## Sisältö

---

Johdanto.....	134	Vianmääritys.....	144
Turvallinen.....	135	Kuljettaminen, säilyttäminen ja hävittäminen.....	146
Asentaminen.....	139	Tekniset tiedot.....	147
Käyttö.....	140	EY-vaatimustenmukaisuusvakuutus.....	148
Huolto.....	142		

---

## Johdanto

---

### Koneen kuvaus

(Kuva 1)

1. Syöttöruuvin kytkeminen
2. Ajonopeuden säätövipu
3. Ohjauspaneeli
4. Lingon kaapeli
5. Heittoputken pyörittimen ohjaus
6. Ohjauslevy
7. Puhdistustyökalu
8. Lingon kotelo
9. Syöttöruuvit
10. Kulutusrauta
11. Rengas
12. Öljyn täyttö
13. Moottori
14. Tukivarsi
15. Ajonopeuden säätötanko
16. Vetovaijeri
17. Kelautuva käynnistyskahva
18. Vedon kytkeminen
19. Kahvat
20. Ilmauspumppu
21. Rikastin
22. Polttoainekytin
23. Virtapainike
24. Käyttöohje

### Tuotekuvaus

Tuote on lumilinko, jota käytetään lumen poistamiseen maasta.

### Käyttötarkoitus

Tuotetta voidaan käyttää lumen poistamiseen pelloilta, teiltä, jalkakäytäviltä ja pihateiltä. Älä käytä tuotetta mäissä, joiden kaltevuus on yli 15 astetta. Älä käytä tuotetta alueilla, joissa on paljon roskia, likaa ja irtokiviä.

### Symbols on the product

---

**Huomautus:** If the decals on the product are damaged, contact the distributor to replace them.

---

(Kuva 2) Warning.

(Kuva 3) Read the operator's manual.

(Kuva 4)

(Kuva 5) Hot surface.

(Kuva 6) Risk of fire.

(Kuva 7) Choke.

(Kuva 8) Pull starter rope handle.

(Kuva 9) Do not breathe in the exhaust fumes from the engine.

(Kuva 10) Do not put any part of the body into the chute deflector or the auger housing when the augers rotate.

(Kuva 11) Stop the engine before you remove snow from the chute deflector. Use the clean-out tool to remove snow, do not do it by hand.

(Kuva 12)

(Kuva 11) Keep hands away from the chute deflector.

(Kuva 13) Objects can be ejected from the product.

(Kuva 14) Keep bystanders away from the product when operating.

(Kuva 15) Remove key before maintenance.

(Kuva 16) Push in the on/off key to the RUN position.

(Kuva 17) Turn the fuel switch to the ON position.

(Kuva 18) Push the primer.

(Kuva 19) Risk of falling.

- (Kuva 20) Move slowly rearward.
- (Kuva 21) Use approved protective gloves.
- (Kuva 22) Use a protective helmet. Use approved hearing protection. Use approved eye protection.
- (Kuva 23) Noise emissions to the environment according to European Directive 2000/14/EC and New South Wales legislation "Protection of the Environment Operations (Noise Control) Regulation 2017". Noise emission data can be found on the machine label and in the Technical data chapter.
- (Kuva 24) European machinery directive for safety.

**Huomautus:** Other symbols/decals on the product refer to certification requirements for some markets.

## Euro V -päästöt



**VAROITUS:** Moottorin muokkaaminen mitätöi tuotteen EU-tyyppihyväksynnän.

## Turvallinen

### Turvallisuusmääritelmät

Oheiset määritelmät kertovat huomiosanojen vakavuustason.



**VAROITUS:** Henkilövahinko.



**HUOMAUTUS:** Laitevaurio.

**Huomautus:** Nämä tiedot helpottavat laitteen käyttöä.

### Kävellen ohjattavien lumilinkojen turvallisen käytön ohjeet

#### Yleinen

Tämä kone voi katkaista käden tai jalan sekä singota esineitä. Ellei seuraavassa esitettyjä turvallisuusohjeita noudateta, seurauksena voi olla vakavia henkilövahinkoja.

#### Koulutus

- Lue tarkasti kaikki laitteeseen kiinnitetyt ja käyttöoppaan/-oppaiden sisältämät ohjeet ennen laitteen käyttöä ja noudata niitä. Tutustu huolellisesti koneen hallintalaitteisiin ja oikeaan käyttötapaan. Opettele pysäyttämään laite ja kytkemään kaikki käyttölaitteet nopeasti pois päältä.

### Valmistaja

Husqvarna AB

Drottninggatan 2, SE-561 82 Huskvarna

### Tuotevastuu

Tuotevastuulain mukaisesti emme ole vastuussa tuotteen aiheuttamasta vaurioista, jos

- tuote on korjattu virheellisesti
- tuotteen korjaamiseen on käytetty muita kuin valmistajan omia tai sen hyväksymiä osia
- tuotteessa on muu kuin valmistajan oma tai sen hyväksymä lisävaruste
- tuotetta ei ole korjattu valtuutetussa huoltopisteessä tai hyväksytyllä asiantuntijalla.

- Älä koskaan anna lasten käyttää konetta. Älä koskaan anna aikuisten käyttää konetta ilman asianmukaisia ohjeita.
- Pidä kaikki henkilöt, erityisesti pikkulapset, poissa työskentelyalueelta.
- Varo liukastumista ja kaatumista, erityisesti liikuttaessasi konetta taaksepäin.

#### Valmistelu

- Tarkista koneen käyttöalue huolellisesti ennen käyttöä ja poista kaikki ovimatot, kelkat, levyt, johdot ja muut vierasesineet.
- Vapauta kaikki kytkimet ja siirrä vaihde vapaalle ennen moottorin käynnistämistä.
- Älä käytä konetta ilman asianmukaisia talvivaatteita. Älä käytä löysiä vaatteita, jotka voivat tarttua liikkuviin osiin. Käytä jalkineita, joilla on tukeva astua liukkaille pinnoille.
- Käytä aina suojalaseja tai silmäsuojusta laitteen käytön aikana tai tehdessäsi säätöjä tai korjaustöitä suojataksesi silmiäsi laitteen mahdollisesti sinkoamilta vierasesineiltä.
- Käsittele polttoainetta varovasti. Polttoaine on hyvin tulenarkaa.
  - Käytä hyväksytyä polttoainesäiliötä.
  - Älä koskaan lisää polttoainetta moottorin käydessä tai kun se on kuuma.
  - Täytä polttoainesäiliö ulkona noudattaen erityistä varovaisuutta. Älä koskaan täytä polttoainesäiliötä sisätiloissa.

- Älä koskaan täytä säiliöitä ajoneuvon sisällä tai muovilla vuoratulla kuorma-auton tai perävaunun lavalla. Laita säiliöt aina maahan, etäällä ajoneuvosta, ennen säiliön täyttämistä.
- Mikäli mahdollista, poista bensiinikäyttöiset laitteet kuorma-autosta tai perävaunusta ja lisää polttoaine maassa. Ellei tämä ole mahdollista, lisää polttoaine laitteeseen perävaunussa erillisestä säiliöstä eikä suoraan polttoaineen syöttöruiskusta.
- Pidä suutin koko ajan kosketuksessa polttoainesäiliön tai varasäiliön reunaan, kunnes polttoaine on lisätty. Älä lukitse pistoolin bensiininsyöttöä auki.
- Kiinnitä polttoainesäiliön tulppa tiukasti kiinni ja pyyhi pois yliroiskunut polttoaine.
- Jos polttoainetta roiskuu vaatteille, vaihda vaatteet välittömästi.
- Käytä jatkojohtoja ja jakorasioita valmistajan ohjeiden mukaisesti kaikissa laitteissa, joissa on sähkötoiminen käynnistysmoottori.
- Säädä kerääjän kotelon korkeus siten, että se on hiekk- tai sorapinnan yläpuolella.
- Älä koskaan yritä tehdä säätöjä moottorin käydessä (elleivät ne ole nimenomaisesti valmistajan suosittelemia).

## Käyttö

- Älä laita käsiäsi tai jalkojasi pyörivien osien lähelle tai alapuolelle. Pysytkä aina poissa poistoaukon läheltä.
- Noudata erityistä varovaisuutta käyttäessäsi konetta sorapäälysteisillä teillä tai jalkakäytävillä tai siirtäessäsi koneen tällaisen tien tai jalkakäytävän poikki. Varo piileviä vaaroja tai työskentelyä yleisten teiden läheisyydessä.
- Jos kone osuu vieraaseen esineeseen, sammuta moottori, irrota johto sytytystulpasta, irrota sähkömoottorin johto, tarkista lumilinko huolellisesti mahdollisten vaurioiden varalta ja korjaa vauriot ennen kuin käynnistät lumilingon uudelleen ja käytät sitä.
- Jos kone alkaa täristä epänormaalisti, sammuta moottori ja selvitä tärinän syy välittömästi. Tärinä on yleensä merkki ongelmista.
- Sammuta moottori aina, kun poistut ohjauspaikalta, ennen tukosten poistamista kerääjän/puhallinpyörän kotelosta tai ulosheittoputkesta sekä tehdessäsi korjauksia, säätöjä tai tarkistuksia.
- Älä käytä moottoria sisätiloissa muutoin kuin moottoria käynnistäessäsi ja siirtäessäsi lumilinkoa rakennuksesta ulos tai sisään. Avaa ulko-ovet, sillä pakokaasut ovat vaarallisia.
- Noudata erityistä varovaisuutta käyttäessäsi laitetta rinnemaastossa.
- Älä koskaan käytä konetta, elleivät asianmukaiset suojukset ja muut suojalaitteet ole paikallaan ja toimintakunnossa.

- Älä milloinkaan kohdista poistoa kohti ihmisiä tai alueita, joilla voi olla vaurioituvaa omaisuutta. Pidä lapset ja muut henkilöt loitolla.
- Älä ylikuormita laitetta yrittämällä lingota lunta liian nopeasti.
- Älä siirrä laitetta koskaan suurella kuljetusnopeudella liukkaalla alustalla. Katso taaksesi ja noudata varovaisuutta, kun liikut laitteen kanssa taaksepäin.
- Kytke virta pois kerääjästä/puhallinpyörästä koneen kuljetuksen ajaksi tai silloin, kun sitä ei käytetä.
- Käytä vain koneen valmistajan hyväksymiä lisälaitteita ja tarvikkeita (kuten pyöräpainoja, vastapainoja tai ohjaamoita).
- Älä koskaan käytä konetta, kun näkyvyys tai valaistus on huono. Varmista, että pystyt aina kävelemään vakaasti ja pidä tiukasti kiinni kahvoista. Liiku aina kävelyvauhtia, älä juosten.
- Älä milloinkaan koske kuumaan moottoriin tai pakoputkeen.

## Tukkeutuneen ulosheittoputken puhdistaminen

- Käsikosketus ulosheittoputken sisällä olevaan pyörivään puhallinpyörään on yleisin syy lumilinkojen aiheuttamille henkilövahingoille. Älä koskaan puhdistu poistokourua käsin.
- Kourun puhdistaminen:
  1. SAMMUTA MOOTTORI!
  2. Odota 10 sekuntia, jotta puhallinpyörän lavat lakkaavat pyörimästä.
  3. Käytä aina puhdistustyökäluu, älä käsiäsi.

## Huolto ja varastointi

- Tarkista kiristyspulttien ja muiden pulttien kireys usein varmistaaksesi, että laite on turvallisessa käyttökunnossa.
- Älä koskaan säilytä polttoainetta sisältävää konetta tiloissa, joissa on mahdollisia kipinälähteitä, kuten kuumavesivaraaja, patteri tai pyykinkuivaaja. Anna moottorin jäähtyä, ennen kuin viet koneen sisälle.
- Katso aina käyttöohjeesta tarvittavat toimenpiteet, kun olet siirtämässä lumilingon varastoon pidemmäksi ajaksi.
- Huolla tai vaihda turvatarrat tarpeen mukaan.
- Käytä konetta muutama minuutti ajan lumen linnoamisen jälkeen kerääjän/puhallinpyörän jäähtymisen estämiseksi.
- Kun puhdistat, korjaat tai tarkistat lumilinkoa, sammuta moottori ja varmista, että kerääjä/ puhallinpyörä ja kaikki liikkuvat osat ovat pysähtyneet. Irrota sytytystulpan johto ja pidä se pois tulpan läheltä, ettei kukaan käynnistä moottoria vahingossa.

## Yleiset turvaohjeet

- Käytä laitetta oikein. Virheellinen käyttö voi aiheuttaa tapaturman tai kuoleman. Käytä laitetta vain tässä käyttöohjekirjassa esitettyihin tehtäviin. Älä käytä laitetta muihin tehtäviin.



- Noudata tämän käyttöohjekirjan ohjeita. Noudata turvallisuussymboleita ja turvaohjeita. Jos käyttäjä ei noudata ohjeita ja symboleita, seurauksena voi olla vamma, vaurio tai kuolema.
- Älä hävitä tätä käyttöohjekirjaa. Noudata laitteen asennusta, käyttöä ja kunnossapitoa koskevia ohjeita. Asenna lisälaitteet ja lisävarusteet oikein ohjeiden mukaisesti. Käytä vain hyväksytyjä lisälaitteita ja lisävarusteita.
- Älä käytä vaurioitunutta laitetta. Noudata huoltokaaviota. Tee vain sellaisia huoltotoimia, joita koskevat ohjeet löytyvät tästä käyttöohjekirjasta. Valtuutetun huoltopisteen on tehtävä kaikki muut huoltotyöt.
- Tämä käyttöohjekirja ei voi sisältää kaikkia laitteen käyttöön liittyviä tilanteita. Ole varovainen ja käytä tervettä järkeä. Älä käytä laitetta tai huolla sitä, jos et ole varma tilanteesta. Kysy ohjeita laitteen asiantuntijalta, jälleenmyyjältä, huoltoliikkeestä tai valtuutetusta huoltopisteestä.
- Irrota sytytystulpan johto ennen laitteen asentamista, säilytykseen siirtämistä tai huoltoa.
- Älä käytä laitetta, jos sen alkuperäisiä ominaisuuksia on muutettu. Älä muuta edes osaa laitteesta ilman valmistajan lupaa. Käytä vain valmistajan hyväksymiä osia. Virheellinen huolto voi aiheuttaa tapaturman tai kuoleman.
- Älä hengitä moottorin kaasuja. Moottorin pakokaasujen pitkäaikainen hengittäminen on terveydelle vaarallista.
- Älä käynnistä laitetta sisätiloissa tai lähellä herkästi syttyvää materiaalia. Pakokaasut ovat kuumia ja voivat sisältää kipinöitä, jotka voivat aiheuttaa tulipalon. Jos ilmanvirtaus ei ole riittävä, tukehtuminen tai hiilimonoksidin hengittäminen voi aiheuttaa vamman tai kuoleman.
- Kun laitetta käytetään, moottori muodostaa sähkömagneettisen kentän. Sähkömagneettinen kenttä voi vaurioittaa lääketieteellisiä implanteja. Neuvottele lääkärin ja lääketieteellisen implantin valmistajan kanssa, ennen kuin käytät laitetta.
- Älä anna lasten käyttää laitetta. Älä anna kenenkään sellaisen henkilön käyttää laitetta, joka ei tunne ohjeita.
- Muista aina valvoa laitetta käyttävää henkilöä, jonka fyysiset tai psyykkiset taidot ovat heikentyneet. Vastuullisen aikuisen on oltava aina paikalla.
- Lukitse laite paikkaan, johon lapset ja asiattomat henkilöt eivät pääse.
- Laite voi saada esineitä sinkoutumaan ja aiheuttaa näin vammoja. Noudata turvaohjeita tapaturmien tai kuoleman vaaran ehkäisemiseksi.
- Älä poistu laitteen luota, kun moottori on käynnissä.
- Laitteen käyttäjä on vastuussa, jos tapahtuu onnettomuus.
- Katso taaksesi ja alas ennen kuin alat kävellä taaksepäin ja sen aikana. Näin voit havaita pikkulapset, eläimet ja muut esteet, joihin saattaisit kaatua.

- Varmista ennen laitteen käyttämistä, ettei osissa ole vaurioita.
- Varmista ennen laitteen käyttämistä, että olet vähintään 15 m:n etäisyydellä muista ihmisistä tai eläimistä. Varmista, että lähistöllä olevat henkilöt tietävät sinun aikovan käyttää laitetta.
- Noudata kansallisia ja paikallisia lakeja. Ne voivat estää laitteen käytön tai rajoittaa sitä joissakin olosuhteissa.

## Koulutus

- Lue tarkasti kaikki laitteeseen kiinnitetyt ja käyttöoppaan/-oppaiden sisältämät ohjeet ennen laitteen käyttöä ja noudata niitä. Tutustu huolellisesti laitteen hallintaan ja oikeaan käyttötapaan. Opettele pysäyttämään laite ja ytkemään kaikki käyttölaitteet nopeasti pois päältä.
- Älä koskaan anna lasten käyttää tätä laitetta. Älä koskaan anna aikuisten käyttää laitetta ilman asianmukaisia ohjeita.
- Pidä kaikki henkilöt, erityisesti pikkulapset, poissa työskentelyalueelta.
- Varo liukastumista tai kaatumista, erityisesti vetäessäsi lumiliinkoa taaksepäin.

## Turvallisuusohjeet käyttöä varten

- Älä laita käsiäsi tai jalkojasi pyörivien osien lähelle tai alapuolelle. Pysytele aina poissa poistoaukon läheltä.
- Noudata erityistä varovaisuutta käyttäessäsi laitetta sorapäälysteillä teillä tai jalkakäytävillä tai siirtäessäsi laitteen tällaisen tien tai jalkakäytävän poikki. Varo pilleiviä vaaroja ja liikennettä.
- Jos laite osuu vieraaseen esineeseen, sammuta moottori, irrota johto sytytystulpasta, irrota sähkömoottorin johto, tarkasta lumiliinko huolellisesti mahdollisten vaurioiden varalta ja korjaa vauriot ennen kuin käynnistät lumilingon uudelleen tai käytät sitä.
- Jos laite alkaa tärinä epänormaalisti, sammuta moottori ja selvitä tärinän syy välittömästi. Tärinä on yleensä merkki ongelmista.
- Sammuta moottori aina, kun poistut ohjauspaikalta, ennen tukosten poistamista lingon kotelosta tai ohjauslevystä sekä tehdessäsi korjauksia, säätöjä tai tarkastuksia.
- Kun puhdistat, korjaat tai tarkastat laitetta, sammuta moottori ja varmista, että syöttöruuvit ja kaikki liikkuvat osat ovat pysähtyneet. Irrota sytytystulpan johto ja pidä se pois tulpan läheltä, ettei kukaan käynnistä moottoria vahingossa.
- Älä käytä moottoria sisätiloissa muutoin kuin moottoria käynnistäessäsi ja siirtäessäsi konetta rakennuksesta ulos tai sisään. Avaa ulko-ovet, sillä pakokaasut ovat vaarallisia.
- Noudata erityistä varovaisuutta käyttäessäsi laitetta rinnemaastossa.

- Älä koskaan käytä konetta, elleivät asianmukaiset suojukset ja muut suojalaitteet ole paikallaan ja toimintakunnossa.
- Älä milloinkaan ohdistu ohjauslevyvä kohti ihmisiä tai alueita, joilla voi olla vaurioituvaa omaisuutta. Pidä lapset ja muut henkilöt loitolla.
- Älä ylikuormita konetta yrittämällä lingota lunta liian nopeasti.
- Älä koskaan käytä konetta suurella kuljetusnopeudella liukkaalla alustalla. Katso taaksesi ja noudata varovaisuutta, kun liikut laitteen kanssa taaksepäin.
- Kytke virta pois siirtoruuveista koneen kuljetuksen ajaksi tai silloin, kun sitä ei käytetä.
- Käytä vain koneen valmistajan hyväksymiä lisälaitteita ja tarvikkeita (kuten pyöräpajinoja, vastapajinoja tai ohjaamoita).
- Älä koskaan käytä konetta, kun näkyvyys tai valaistus on huono. Varmista, että pystyt aina kävelemään vakaasti ja pidä tiukasti kiinni kahvoista. Liiku aina kävelyvauhtia, älä juosten.
- Älä milloinkaan koske kuumaan moottoriin tai pakoputkeen.

## Työalueen turvallisuus

- Tarkasta laitteen käyttöalue huolellisesti ennen käyttöä ja poista kaikki ovimatot, kelkat, levyt, johdot ja muut vierasesineet.
- Vapauta kaikki kytkimet ja siirrä vaihde vapaalle ennen moottorin käynnistämistä.
- Älä käytä konetta ilman asianmukaisia talvivaatteita. Älä käytä löysiä vaatteita, jotka voivat tarttua liikkuviin osiin. Käytä jalkineita, joilla on tukeva astua liukkaille pinnoille.
- Käsittele polttoainetta varovasti. Polttoaine on hyvin tulenarkaa.
  - Käytä hyväksytyjä polttoainesäiliöitä.
  - Älä koskaan lisää polttoainetta moottorin käydessä tai kun se on kuumaa.
  - Täytä polttoainesäiliö ulkona noudattaen erityistä varovaisuutta. Älä koskaan täytä polttoainesäiliötä sisätiloissa.
  - Älä koskaan täytä säiliöitä ajoneuvon sisällä tai muovilla vuoratulla kuorma-auton tai perävaunun lavalla. Laita säiliöt aina maahan, etäälle ajoneuvosta, ennen säiliön täyttämistä.
  - Mikäli mahdollista, poista bensiinikäyttöiset laitteet kuorma-autosta tai perävaunusta ja lisää polttoaine maassa. Ellei tämä ole mahdollista, lisää polttoaine laitteeseen perävaunussa erillisestä säiliöstä eikä suoraan polttoaineen syöttöruiskusta.
  - Pidä suutin koko ajan kosketuksessa polttoainesäiliön tai varasäiliön reunaan, kunnes polttoaine on lisätty. Älä lukitse pistoolin bensiinisyöttöä auki.
  - Kiinnitä polttoainesäiliön tulppa tiukasti kiinni ja pyyhi pois yliroiskunut polttoaine.

- Jos polttoainetta roiskuu vaatteille, vaihda vaatteet välittömästi.
- Käytä jatkojohtoja ja jakorasioita valmistajan ohjeiden mukaisesti kaikissa laitteissa, joissa on sähkömoottori tai sähkötoiminen käynnistysmoottori.
- Säädä lingon kotelon korkeus siten, että se on soratai murskepinnan yläpuolella.
- Älä koskaan yritä tehdä säätöjä moottorin ollessa käynnissä (lukuun ottamatta tilanteita, jotka ovat nimenomaisesti valmistajan suosittelemia).
- Käytä aina suojalaseja tai silmäsuojusta laitteen käytön aikana tai tehdessäsi säätöjä tai korjaustöitä suojatakseen silmiäsi laitteen mahdollisesti sinkoamilta vierasesineiltä.

## Henkilökohtainen suojavarustus

Käytä aina oikeanlaista henkilökohtaista suojavarustusta, kun käytät laitetta. Tämä tarkoittaa vähintäänkin vahvoja kenkiä, silmäsuojaimia ja kuulonsuojaimia. Henkilökohtainen suojavarustus ei poista tapaturmien vaaraa, mutta se lieventää vahinkoja onnettomuuden sattuessa.

- Käytä aina suojalaseja tai silmäsuojaimia koneen käytön aikana sekä tehdessäsi säätöjä tai korjaustöitä.
- Käytä aina asianmukaisia talvivaatteita konetta käyttäessäsi.
- Käytä aina vahvoja, luistamattomia ja nilkkoja hyvin tukevia jalkineita konetta käyttäessäsi.
- Älä käytä väljiä vaatteita, jotka voivat tarttua liikkuviin osiin.
- Käytä tarvittaessa hyväksytyjä suojakäsineitä. Tällaisia tilanteita ovat esimerkiksi terän kiinnittäminen, tutkiminen ja puhdistaminen.
- Käytä aina hyväksytyjä kuulonsuojaimia, kun käytät laitetta. Pitkäkestoinen melulle altistuminen voi aiheuttaa kuulovaurioita.

## Tuotteen turvalaitteet

- Muista huoltaa laite säännöllisesti.
  - Laitteen käyttöikä pitenee.
  - Onnettomuusvaara pienenee.

Anna valtuutetun jälleenmyyjän tai huoltopisteen tarkastaa laite säännöllisesti säätöjen tai korjausten varalta.

- Älä käytä laitetta, jos turvalaitteet ovat vaurioituneet. Jos laitteessa on vaurioita, ota yhteyttä valtuutettuun huoltopisteeseen.

## Äänenvaimennin

Äänenvaimennin pitää äänitason mahdollisimman alhaisena ja ohjaa moottorin pakokaasut käyttäjästä pois päin.

Älä käytä konetta, jos äänenvaimennin on vaurioitunut tai puuttuu kokonaan. Viallinen äänenvaimennin suurentaa melutasoa ja tulipalon vaaraa.



**VAROITUS:** Äänenvaimennin on erittäin kuuma käytön aikana, heti käytön jälkeen ja moottorin käydessä joutokäyntinopeudella. Ole varovainen syttyvien materiaalien ja/tai kaasujen lähistöllä, jotta et aiheuta tulipalaa.

## Polttoaineturvallisuus



**VAROITUS:** Lue seuraavat varoitusohjeet ennen koneen käyttämistä.

- Älä käynnistä laitetta, jos sen päällä on polttoainetta tai moottoriöljyä. Poista ylimääräinen polttoaine tai öljy ja anna laitteen kuivua.
- Jos olet läikyttänyt polttoainetta vaatteillesi, vaihda vaatteet heti.
- Varo, ettei iholle pääse polttoainetta, sillä se voi aiheuttaa vamman. Jos ihollesi joutuu polttoainetta, pese se pois vedellä ja saippualla.
- Älä käynnistä laitetta, jos moottori vuotaa. Tarkista moottori säännöllisesti vuotojen varalta.
- Käsittele polttoainetta varoen. Polttoaine on syttyvää ja kaasut ovat räjähdysherkkiä, mikä voi aiheuttaa tapaturman tai kuoleman.
- Älä hengitä polttoainehöyryjä, sillä ne voivat aiheuttaa vamman. Varmista, että ilmanvirtaus on riittävä.
- Älä tupakoi polttoaineen tai moottorin lähistöllä.
- Älä sijoita lämpimiä esineitä polttoaineen tai moottorin lähelle.
- Älä lisää polttoainetta, kun moottori on käynnissä.
- Varmista ennen polttoaineen lisäämistä, että moottori on jäähtynyt.
- Ennen kuin lisäät polttoainetta, avaa polttoainesäiliön korkki hitaasti ja vapautaa paine varovasti.
- Älä lisää polttoainetta moottoriin sisätilassa. Jos ilmanvirtaus ei ole riittävä, tukehtuminen tai hiilimonoksidin hengittäminen voi aiheuttaa vamman tai kuoleman.
- Kiristä polttoainesäiliön korkki tiukasti. Polttoainesäiliön korkin riittämätön kiristys aiheuttaa tulipalovaaran.

- Siirrä laite ennen käynnistystä vähintään 3 metrin päähän paikasta, jossa lisäsit polttoainetta.
- Älä täytä polttoainesäiliötä täyteen. Kuumuus saa polttoaineen laajenemaan. Jätä polttoainesäiliön päälle tyhjää tilaa.

## Kemiallinen varoitus



**VAROITUS:** Tämän laitteen moottorin päästöt sisältävät kemikaaleja, joiden Kalifornian osavaltion viranomaiset tietävät aiheuttavan syöpää, sikiövaurioita ja muita hedelmällisyyteen vaikuttavia haittoja. Lisätietoja on osoitteessa [www.P65Warnings.ca.gov](http://www.P65Warnings.ca.gov).

## Turvaohjeet huoltoa varten



**VAROITUS:** Lue seuraavat varoitusohjeet ennen koneen käyttämistä.

- Moottorin pakokaasut sisältävät hiilimonoksidia, joka on hajuton, myrkyllinen ja erittäin vaarallinen kaasu. Älä käynnistä moottoria sisällä tai suljetuissa tiloissa.
- Jos tuotetta täytyy huoltaa, sammuta ensin moottori ja irrota sytytyskaapeli sytytystulpasta.
- Käytä suojakäsineitä huoltaessasi koneen teriä. Terät ovat erittäin teräviä ja aiheuttavat helposti haavoja.
- Lisävarusteet ja muut kuin valmistajan hyväksymät muutokset tuotteeseen voivat aiheuttaa vakavan vamman tai kuoleman. Älä tee tuotteeseen muutoksia. Käytä vain valmistajan hyväksymiä lisävarusteita.
- Jos tuotetta ei ole huollettu asianmukaisesti ja säännöllisesti, tapaturmien ja tuotteen vaurioitumisen vaara kasvaa.
- Huolla tuote ainoastaan käyttöohjekirjassa annettujen ohjeiden mukaisesti. Kaikki muut huoltotoimet on tehtävä valtuutetussa huoltoliikkeessä.
- Anna valtuutetun huoltoliikkeen huoltaa tuote säännöllisesti.
- Vaihda vaurioituneet, kuluneet tai rikkoutuneet osat.

## Asentaminen



**VAROITUS:** Lue ja sisäistä turvallisuutta käsittelevä luku ennen laitteen asentamista.

### Kahvojen asentaminen

1. Irrota neljä M8x25-laippapulttia (A) kotelosta.
2. Käytä neljää 4 M8x25-laippapulttia (A), neljää jousialuslevyä (B) ja neljää litteää aluslevyä (C).

3. Asenna alempi kahva (D) kotelon kummallakin puolella oleviin kahteen reikään. (Kuva 25)
4. Käytä kolmea M8x50-kahvan lukituspulttia (A), kolmea aluslevyä (B), kolmea kahvan nuppia (C) ja kolmea lukitusmutteria (D).
5. Asenna ylempi kahva ja ohjauspaneeli (E) alempaan kahvaan. (Kuva 26)

## Ohjauslevyn asentaminen

1. Irrota pyörittimen levy (B) ja kuusi kuusiolaipparuuvia (D) kotelosta.
2. Kiinnitä pyörittimen levy (B) ja ohjauslevy (A) ulosheittoputken alaosaan kolmea rajoitinlohkoa (C) käyttäen.
3. Lukitse rajoitinlohkot (C) kuudella kuusiolaippapultilla (D) ja kuudella lukitusmutterilla (E). (Kuva 27)

## Ulosheittoputken pyörittimen asentaminen

1. Asenna ulosheittoputken pyörittimen etupää.
2. Asenna muoviholkki (B) ulosheittoputken pyörittimen etupäähän.
3. Kiinnitä ulosheittoputken pyöritin litteällä aluslevyllä (A) ja sokalla (C). (Kuva 28)
4. Asenna ulosheittoputken pyörittimen takapää.
5. Asenna ulosheittoputken pyöritin M8-lukitusmutterilla (A), muovisella lukituskahvan nupilla (B), kahdella kaarevalla aluslevyllä (C) ja säätöruuvilla (D).
6. Kiinnitä ulosheittoputken pyöritin (F) kahvan reikiin M8-kuusiomutterilla (E). (Kuva 29)

## Ajonopeuden säätötangon asentaminen

1. Asenna ajonopeuden säätötangon (A) pitkä taivutettu pää ohjauspaneeliin ja kiinnitä se kammen

jousella (B), litteällä aluslevyllä (C) ja hiusneulasokalla (D). (Kuva 30)

2. Vedä vaihteensiirron kiinnityslevy (B) ylös ja asenna ajonopeuden säätötangon (A) lyhyt taivutettu pää. Kiinnitä ajonopeuden säätötanko (A) litteällä aluslevyllä (C) ja hiusneulasokalla (D). (Kuva 31)
3. Pidennä ajonopeuden säätötankoa tarvittaessa. Avaa vanttiruuvien lukitusmutterit ja pyöritä vantturuuvia. Kiristä vantturuuvi takaisin alkuperäiseen asentoon oikeaa nopeuden säätöä varten. Alkuperäinen asento on merkitty kierteisiin. (Kuva 32)

## Lingon ja ohjainvajereiden asentaminen

1. Irrota kaksi vajajeruuvien pulttia (B) vajajereista (D).
2. Kiinnitä kaksi vajajeruuvien pulttia (B) vasemman ja oikean kahvan reikiin (A). (Kuva 33)
3. Kiinnitä vajajit (D) vajajeruuvien pultteihin (B).
4. Liitä ja lukitse vasen ja oikea vajajin kierreholkki (D) ja vajajeruuvien pultti (B), kunnes messinkilukitusmutterin (C) yläosa on samassa linjassa kierteiden (E) merkinnän kanssa.
5. Lukitse vajajeri messinkilukitusmutterilla (C).

## Käyttö



**VAROITUS:** Lue turvallisuutta käsittelevä luku ja käyttöohjeet huolellisesti ennen koneen käyttöä.

## Ennen laitteen käynnistämistä

- Pidä sivulliset ja eläimet turvallisen välimatkan päässä työalueesta.
- Suorita päivittäiset huoltotoimenpiteet. Katso *Huoltokaavio sivulla 142*.
- Varmista, että sytytyskaapeli on oikein sytytystulpassa.
- Lisää öljyä tai bensiiniä tarvittaessa. Katso *Öljyn lisääminen moottoriin sivulla 140*.

## Öljyn lisääminen moottoriin



**HUOMAUTUS:** Älä kierrä mittatikua öljymäärää tarkistaessasi. Älä täytä täyttörajan yläpuolelle.

1. Irrota öljysäiliön korkki ja puhdista mittatikku. Katso mittatikun sijainti kohdasta *Koneen kuvaus sivulla 134*.

2. Lisää öljyä mittatikun ylärajaan asti. Tarkista öljytaso mittatikusta säännöllisesti.
3. Aseta öljysäiliön korkki takaisin paikalleen.

## Polttoaineen lisääminen

Käytä ympäristöä säästävää bensiiniä tai alkylaattibensiiniä, jos niitä on saatavilla. Jos ympäristöä säästävää bensiiniä tai alkylaattibensiiniä ei ole saatavilla, käytä lyijytöntä laatubensiiniä. Käytä bensiiniä, jonka oktaaniluku on vähintään 90 RON muualla kuin Pohjois-Amerikassa (87 (R+M)/2 Pohjois-Amerikassa) ja jossa on enintään 10 % etanolia (E10).



**HUOMAUTUS:** Älä käytä polttoainetta, jonka oktaaniluku on pienempi kuin 90 RON muualla kuin Pohjois-Amerikassa (87 (R +M)/2 Pohjois-Amerikassa). Se voi vaurioittaa laitetta.

1. Vapauta polttoainesäiliöstä painetta avaamalla polttoainesäiliön korkki hitaasti.
2. Kaada polttoainesäiliöön hitaasti polttoainetta. Jos öljyä läikkyä, pyyhi öljy pois liinalla ja anna öljyjäämien kuivua.

3. Pyyhi polttoainesäiliön korkin ympäristö puhtaaksi.
4. Kiristä polttoainesäiliön korkki tiukasti. Polttoainesäiliön korkin riittämätön kiristys aiheuttaa tulipalovaaran.
5. Siirrä tuote ennen käynnistystä vähintään 3 metrin (10 jalan) päähän paikasta, jossa lisäsit polttoainetta.

## Ohjauslevyn säätäminen

Vasemmanpuoleiseen kahvaan asennettu ulosheittoputken pyörittimen säädin ohjaa sitä, mihin suuntaan lumi heitetään.

1. Aseta lumen heittämisen pyöryssuunta kääntämällä ulosheittoputken pyörittimen säädintä.
2. Käännä ulosheittoputken pyörittimen säädintä myötäpäivään, jolloin lumi heitetään oikealle.
3. Käännä ulosheittoputken pyörittimen säädintä vastapäivään, jolloin lumi heitetään vasemmalle. (Kuva 34)
4. Säädä lumen heittoetäisyyttä liikuttamalla kulmaohjainta ylös tai alas. (Kuva 35)

## Moottorin käynnistäminen

1. Vapauta vedon kytkin. Aseta ajonopeuden säätövipu alkuasentoon.
2. Aseta polttoainekytkin ON-asentoon. (Kuva 36)
3. Käännä rikastin suljettuun asentoon. (Kuva 37)
4. Paina virta-avain RUN-asentoon. (Kuva 38)
5. Käynnistä apupumppu painamalla polttoainepumppua 1–3 kertaa. Käytä apupumppua kylmäkäynnistykseen alhaisissa lämpötiloissa. (Kuva 39)
6. Vedä käynnistyskahvasta. (Kuva 40)



**HUOMAUTUS:** Älä vapauta käynnistyskahvaa nopeasti. Palauta se hitaasti takaisin alkuasentoon.

**Huomautus:** Jos käynnistyskahva on jäänyt, vedä narua hitaasti ulos niin pitkälle kuin mahdollista ja päästä sitten irti käynnistysnarun kahvasta. Jos moottori ei käynnisty, toista vaiheet tai käytä sähkökäynnistintä.

7. Käytä moottoria 30–40 sekuntia joutokäyntinopeudella ennen kuin alat lingota lunta.
8. Kun moottori on lämmin, siirrä rikastin hitaasti avoimeen asentoon. (Kuva 41)

## Moottorin käynnistäminen, sähkökäynnistys



**VAROITUS:** Laitteessa on 230 V:n vaihtovirtakäynnistin. Älä käytä sähkökäynnistintä, jos talossasi ei ole oikein maadoitettua 230 V:n vaihtovirtajärjestelmää. Siitä voi aiheutua

vakavia henkilövahikoja tai vaurioita tuotteeseen. Sähkökäynnistimessä on kolmijohtiminen virtapistoke, joka on tarkoitettu 230 V:n kotitalousvaihtovirralle. Varmista, että talossasi on oikein maadoitettu 230 V:n vaihtovirtajärjestelmä. Jos et ole varma, kysy valtuutetulta sähkömieheltä.

**Huomautus:** Käytä ulkokäyttöön suositeltua jatkojohtoa, jonka koko on vähintään 16 AWG (1,5 mm<sup>2</sup>) ja pituus enintään 15 m.

1. Vapauta vedon kytkin. Aseta ajonopeuden säätövipu alkuasentoon.
2. Aseta polttoainekytkin ON-asentoon. (Kuva 36)
3. Käännä rikastin suljettuun asentoon. (Kuva 37)
4. Paina virta-avain RUN-asentoon. (Kuva 38)
5. Käynnistä apupumppu painamalla polttoainepumppua 1–3 kertaa. Käytä apupumppua kylmäkäynnistykseen alhaisissa lämpötiloissa. (Kuva 39)
6. Kytke laite virtalähteeseen. (Kuva 42)
7. Paina ohjauskotelon käynnistyspainiketta 5 sekuntia. (Kuva 43)
8. Jos moottori ei käynnisty, odota 5 sekuntia ennen kuin painat käynnistyspainiketta uudelleen.



**HUOMAUTUS:** Älä yritä käynnistää moottoria enempää kuin 10 kertaa. Odota 10 kerran jälkeen 40 minuuttia, ennen kuin yrität uudelleen.

9. Irrota virtajohto laitteesta, kun moottori käynnistetään.
10. Käytä moottoria 30–40 sekuntia joutokäyntinopeudella ennen kuin alat lingota lunta.
11. Kun moottori on lämmin, siirrä rikastin hitaasti avoimeen asentoon. (Kuva 41)

## Laitteen käyttö

1. Kytke linko ja aloita lumen heittäminen painamalla lingon kytkintä kahvaan. (Kuva 44)
2. Liikuta konetta eteenpäin siirtämällä ajonopeuden säätövipua vasemmalle. Liikuta konetta taaksepäin siirtämällä ajonopeuden säätövipua oikealle. (Kuva 45)
3. Käytä vedon kytkintä oikealla kahvalla.
4. Kytke vetopyörät painamalla vedon kytkintä kahvaan. Laite liikkuu eteen- tai taaksepäin ajonopeuden säätövirvuun sijainnin mukaan. (Kuva 46)

## Laitteen pysäyttäminen

**Huomautus:** Sammuta moottori hätätilanteessa vetämällä virta-avain ulos.

1. Pysäytä vetopyörät vapauttamalla vedon kytkin.
2. Poista linko käytöstä ja lopeta lumen heittäminen vapauttamalla lingon kytkin. (Kuva 47)
3. Aseta polttoainekytkeyn OFF-asentoon. (Kuva 48)
4. Vedä virta-avain ulos. (Kuva 49)

- Lumen poistaminen on helpompaa tuoreena.
- Linkoa lumi aina tuulen suuntaisesti, mikäli mahdollista.
- Tasaisilla pinnoilla, kuten asfaltiteillä, kulutusrautojen (A) kuuluu olla 5–6 mm irti maasta.
- Puskulevy on käännettävä. Kun se on kulunut lähes kotelon reunaan asti, käännä se. Jos puskulevy on vaurioitunut tai kulunut molemmilta puolilta, vaihda se uuteen.
- Älä käytä ohjauslevyä, jos se on tukossa.
- Jos kone ei liiku eteenpäin ennalta arvaamattomien olosuhteiden vuoksi, vapauta vedon kytkentävipu välittömästi tai käännä virta-avain OFF-asentoon.

## Hyvän tuloksen saavuttaminen

- Käytä moottoria aina täydellä tai lähes täydellä kaasulla.
- Säädä ajonopeutta nopeuden säätöivillä, ja mukauta koneen nopeus lumen määrään. Varmista, että kone linkoaa lunta tasaisesti.

## Huolto

### Huoltokaavio

Huolto	Päivittäin	20 tuntia	50 tuntia	100 tuntia
Varmista, että kaikki ruuvit ja mutterit on kiristetty.	X			
Tarkista moottorin öljymäärä.	X			
Vaihda öljy. <sup>49</sup>		X	X	X
Varmista, ettei koneesta vuoda polttoainetta tai öljyä.	X			
Poista syöttöruuvista tukokset ja vierasesineet.	X			
Tarkista rengaspaineet. <sup>50</sup>			X	
Tarkista ja vaihda sytytystulppa. <sup>51</sup>				X

**Huomautus:** Vaihteistoon ei tarvitse lisätä rasvaa, eikä sitä tarvitse huoltaa muillakaan tavoin.

### Yleistarkastus

- Varmista, että laitteen kaikki ruuvit ja mutterit on kiristetty oikein.

### Öljyn määrän tarkistaminen



**HUOMAUTUS:** Liian alhainen öljytaso voi vaurioittaa moottoria. Tarkista öljytaso ennen kuin käynnistät tuotteen.

1. Aseta tuote tasaiselle alustalle.
2. Irrota polttoainesäiliön korkki ja mittatikku.
3. Pyyhi mittatikku puhtaaksi öljystä.
4. Työnnä mittatikku kokonaan öljysäiliöön, jotta saat öljytasosta oikean kuvan.

<sup>49</sup> Vaihda öljy ensimmäisten 20, 50 ja 100 käyttötunnin jälkeen ja sitten 100 käyttötunnin välein.

<sup>50</sup> Katso oikea rengaspaine teknisistä tiedoista.

<sup>51</sup> Tarkista ja puhdista sytytystulppa vuosittain ennen käyttöä.

- Poista mittatikku.
- Tarkista öljytaso mittatikusta.
- Jos öljytaso on alhainen, lisää moottoriöljyä ja tarkista öljytaso uudelleen.

## Moottoriöljyn vaihtaminen

- Anna moottorin käydä muutaman minuutin ajan, jotta öljy lämpenee. Lämmin öljy virtaa paremmin ja kuljettaa enemmän likaa pois.



**VAROITUS:** Moottoriöljy on kuumaa. Vältä ihokosketusta käytetyn moottoriöljyn kanssa.

- Aseta laite tasaiselle alustalle.
- Käytä moottoria, kunnes kaikki polttoaine on kulunut loppuun.
- Poista virta-avain lukosta.
- Aseta astia tyhjennystulpan alle.
- Irrota tyhjennystulppa, kallista laitetta taaksepäin ja valuta vanha öljy astiaan. (Kuva 50)
- Aseta laite takaisin käyttöasentoon.
- Asenna tyhjennystulppa paikalleen ja kiristä se kunnolla käsin.
- Lisää moottoriin öljyä, katso kohta *Öljyn lisääminen moottoriin sivulla 140*.

## Sytytystulpan tarkistus



**HUOMAUTUS:** Käytä aina suositeltua sytytystulppaa. Väärä sytytystulpan tyyppi voi aiheuttaa laitteen vaurioitumisen.

- Tarkista sytytystulppa, jos moottorin teho on heikko, moottoria on vaikea saada käyntiin tai se ei toimi oikein joutokäyntinopeudella.
- Ehkäise ylimääräisen materiaalin joutuminen sytytystulpan elektrodien noudattamalla seuraavia ohjeita:
  - Varmista, että joutokäyntinopeus on säädetty oikein.
  - Varmista, että polttoainetyyppi on oikea.
  - Varmista, että ilmansuodatin on puhdas.
- Jos sytytystulppa on karstiintunut, puhdista se ja tarkista samalla, että kärkiväli on oikea, katso *Tekniset tiedot sivulla 147*. (Kuva 51)
- Vaihda sytytystulppa tarvittaessa.

## Syöttöruuvien ja puskulevyn tarkistaminen

- Tarkista syöttöruuvit ja puskulevy kulumien varalta aina ennen käyttöä.
- Jos puskulevyn reuna on kulunut, käännä puskulevy ympäri. Jos puskulevy on vaurioitunut tai kulunut molemmilta reunoilta, vaihda se.

- Jos syöttöruuvien reunat ovat kuluneet, ota yhteyttä valtuutettuun huoltoilikeeseen niiden vaihtamista varten.

## Kulutusrautojen säätäminen

Kulutusraudat estävät lumiliingon pohjan vahingoittumisen. Säädä kulutusrautoja (A), kun lukkomutteri (B) on löystynyt tai kun kulutusrauta ei ole oikealla etäisyydellä maasta. Normaalit asennukset eivät edellytä säätöjä.

- Avaa lukkomutteri (B) 13 mm:n (½ tuuman) kiintoavaimella.
- Siirrä kulutusrautoja (A) ylemmäs tai alemmas.
  - Aseta tasaisilla pinnoilla puskulevyn ja maan väliseksi etäisyydeksi 5–6 mm (0,2–0,25 tuumaa).
  - Aseta epätasaisilla alustoilla kulutusraudat (A) asentoon, jossa puskulevy on maanpinnan yläpuolella.



**VAROITUS:** Varmista, että sora ja kivet eivät pääse koneen sisään. Kovalla vauhdilla sinkoutuvat esineet voivat aiheuttaa vammoja.

- Kiristä lukitusmutteri (B). (Kuva 52)

## Murtosokan vaihtaminen

Murtosokka suojaa laitetta vaurioilta. Se rikkoutuu, jos liikkuviin osiin pääsee vieras esine.

- Jos murtosokka rikkoutuu, sammuta moottori.
- Kiinnitä uusi murtosokka (A) ja uusi kiristysjousi (B). (Kuva 53)

## Renkaiden tarkistaminen

- Pidä renkaat puhtaina polttoaineesta, öljystä ja kemikaaleista, jotta kumi ei vaurioidu.
- Pidä renkaat etäällä kannoista, kivistä, ojista, terävistä reunoista ja muista kohteista, jotka voivat vaurioittaa renkaita.
- Pidä renkaiden paine oikeana, katso kohta *Tekniset tiedot sivulla 147*.

## Tukkeutuneen ohjauslevyn avaaminen

Älä avaa ohjauslevyn tukosta ennen kuin seuraavat toimet on suoritettu.

- Vapauta syöttöruuvien kytkentä ja vedon kytkentä samaan aikaan.
- Odota 10 sekuntia, jotta syöttöruuvit ehtivät pysähtyä.
- Pysäytä laite.
- Poista tukos puhdistusyökalulla (vähintään 37 cm (15 tuumaa) pitkä, sisältyy joihinkin malleihin).



**VAROITUS:** Älä työnnä käsiäsi ohjauslevyyn tai syöttöruuvin koteloon sisään.

- Älä käytä laitteen puhdistamiseen painepesuria.
- Älä suihkuta vettä suoraan moottorin päälle.
- Poista lehdet, ruoho ja lika harjalla.

## Laitteen puhdistaminen

- Puhdista muoviosat puhtaalla ja kuivalla liinalla.

## Vianmääritys

### Vianmääritys

Vika	Mahdollinen syy	Ratkaisu
Laitte ei käynnisty.	Virta-avainta ei ole työnnetty paikoilleen.	Työnnä virta-avain paikoilleen.
	Polttoaine on loppu.	Täytä säiliö uudella ja puhtaalla bensiinillä.
	Virta-avain on OFF-asennossa.	Siirrä virta-avain ON-asentoon.
	Rikastin on OFF-asennossa (suljettu).	Siirrä rikastin ON-asentoon (täysi, avoin).
	Polttoainepumppua ei ole painettu.	Paina polttoainepumppua.
	Moottorissa on liikaa polttoainetta.	Odota muutama minuutti ennen uudelleen käynnistämistä; ÄLÄ käytä polttoainepumppua.  Käynnistä moottori uudelleen täydellä kaasulla ja rikastin OFF-asennossa (suljettu).
	Sytytystulpan johtoa ei ole kytketty.	Kytke johto sytytystulppaan.
	Sytytystulppa on viallinen.	Vaihda sytytystulppa.
	Polttoaineessa on vettä tai polttoaine on liian vanhaa.	Tyhjennä polttoainesäiliö ja kaasutin. Täytä säiliö uudella ja puhtaalla bensiinillä.
	Polttoaineletkussa on höyryä.	Varmista, että koko polttoaineletku on polttoainesäiliön ulostuloa alempana. Polttoaineletkun tulee kulkea tasaisesti alaspäin polttoainesäiliöstä kaasuttimeen.
	Muut syyt.	Käy tarkasti läpi tämän oppaan käynnistystoimenpiteet.
	Polttoainekytin (jos varusteena) on OFF-asennossa (suljettu).	Aseta polttoainekytin ON-asentoon (auki).
Kaasuliipaisin on STOP-asennossa.	Käännä kaasuliipaisin FAST-asentoon.	



Vika	Mahdollinen syy	Ratkaisu
Alennettu teho	Sytytystulpan johtoa ei ole kytketty.	Kytke johto sytytystulppaan.
	Kone heittää liikaa lunta.	Alenna nopeutta ja aja kapeampi kaistale kerrallaan.
	Polttoainesäiliön korkki on jään tai lumen peittä- mä.	Poista jää ja lumi polttoainesäiliön korkin päältä ja ympäriltä.
	Äänenvaimennin on likainen tai tukossa.	Puhdista tai vaihda äänenvaimennin.
	Väärä kaapelin pituus.	Säädä kaapelia.
	Äänenvaimennin on tukossa.	Varmista, että moottori on vileä. Poista tukos.
	Kaasuttimen ilmanottoaukko on tukossa.	Varmista, että moottori on vileä. Poista tukos.
Moottori käy epätasaisesti tyhjäkäynnillä tai käytös- sä.	Rikastin on ON-asennossa (täysi, auki).	Siirrä rikastin OFF-asentoon (kiinni).
	Polttoaineletku on tukossa.	Puhdista polttoaineletku.
	Polttoaineessa on vettä tai polttoaine on liian vanhaa.	Tyhjennä polttoainesäiliö ja kaasutin. Täytä säiliö uudella ja puhtaalla ben- siinillä.
	Kaasutin on vaihdettava.	Ota yhteyttä valtuutettuun huoltoliik- keeseen.
	Hihna on venynyt.	Vaihda lingon v-hihna.
Liiallista tärinää tai kahvan liikettä.	Jotkin osat ovat löysällä. Syöttöruuvit ovat vaurioituneet.	Kiristä kaikki kiinnikkeet. Vaihda vaurioituneet osat. Jos tärinä jatkuu, ota yhteyttä valtuutettuun huoltoliik- keeseen.
	Kahvat ovat väärässä asennossa.	Varmista, että kahvat on lukittu pai- koilleen.
	Säätövipujen mutterit ovat löysällä.	Kiristä muttereita, kunnes kahva tun- tuu tukevalta.
Käynnistyskahvaa on vai- kea vetää.	Käynnistyskahva on jäänyt.	Vedä naru ulos niin pitkälle kuin mahdollista ja päästä sitten irti käyn- nistyskahvasta. Jos moottori ei käyn- nisty, toista vaiheet tai käytä sähkö- käynnistintä.
	Naru osuu muihin osiin.	Kelautuvan köyden ei pidä koskettaa johtoja eikä letkuja.

Vika	Mahdollinen syy	Ratkaisu
Veto katoaa / ajonopeus hidastuu	Hihna luistaa.	Säädä kaapelia. Säädä hihnaa.
	Hihna on kulunut.	Tarkista/vaihda hihna.
Laite ei poista lunta tai lumen poisto on hidastunut.	Hihna on irronnut urapyörältä.	Tarkista hihna / aseta se paikalleen.
	Ulosheittoputken ohjauslevy on tukossa.	Puhdista ohjauslevy.
	Vierasesineet tukkivat syöttöruuvit.	Poista roskat tai vierasesineet syöttöruuveista.
	Murtosokka on rikki.	Vaihda rikkiäinen murtosokka.
	Vetävien osien väliin on kertynyt liikaa lunta ja jäätä.	Poista jumi ja jää vetävien osien väliltä.
	Vetopyörä on kulunut.	Ota yhteyttä valtuutettuun huoltoilikeeseen.
	Syöttöruuvi ei pyöri, kun kahva vapautetaan.	Vetohihna ei ole kohdallaan.
Ohjauslevy ei ole kohdallaan.		Säädä ohjauslevyä.
Valot eivät pala (jos varusteena).	Moottori ei ole käynnissä.	Käynnistä moottori.
	Kaapelin liittäntä on irti.	Tarkista kaapelien liitännät moottorista ja valoista.
	LED-merkkivalo on palanut.	Vaihda LED-valomoduuli. Yksittäisiä LED-valoja ei voi vaihtaa.
Ulosheittoputken kiertäjä liikkuu kankeasti.	Ulosheittoputken kiertomekanismissa on jotain sinne kuulumatonta.	Puhdista ulosheittoputken kiertomekanismin sisäosat.
	Kaapelit ovat taittuneet tai vaurioituneet.	Varmista, että kaapelit eivät ole taittuneet. Vaihda vaurioituneet kaapelit.
Kone vetää toiselle puolelle.	Rengaspaineet eivät ole samat.	Täytä rengas ja säädä rengaspaineet.
	Kone vetää vain toisella pyörällä.	Tarkasta renkaan lukkotappi.
	Jalusta säädetty epätasaisesti.	Säädä kulutusraudat ja jalusta.
	Kulutusraudat säädetty epätasaisesti.	Säädä kulutusraudat ja jalusta.

## Kuljettaminen, säilyttäminen ja hävittäminen

### Kuljetus ja säilytys

- Kun säilytät ja kuljetat laitetta ja polttoainetta, varmista, ettei laite vuoda polttoainetta tai polttoainehöyryä. Esimerkiksi sähkölaitteista tai lämmityskattiloista peräisin olevat kipinät tai avotuli voivat aiheuttaa tulipalon.
- Käytä polttoaineen säilytyksessä ja kuljettamisessa aina hyväksytyjä polttoainesäiliöitä.
- Tyhjennä tuotteen polttoainesäiliö, jos varastoit tuotteen pitkäksi ajaksi.

- Jos kaasuttimen polttoainesäiliössä on tyhjennystulppa, tyhjennä polttoaine kaasuttimesta, ennen kuin varastoit laitteen pitkäksi ajaksi.
- Vältä onnettomuudet ja tuotteen vaurioituminen kiinnittämällä laite turvallisesti kuljetuksen ajaksi.
- Säilytä laitetta lukitussa varastossa, jonne lapset ja asiattomat henkilöt eivät pääse.
- Säilytä tuotetta kuivassa paikassa, jossa lämpötila ei laske pakkasen puolelle.

### Hävittäminen

- Noudata paikallisia vaatimuksia ja säädöksiä.

- Hävitä kaikki kemikaalit, kuten moottoriöljy ja polttoaine, viemällä ne huoltoliikkeeseen tai asianmukaiseen keräyspisteeseen.

- Hävitä laite hyväksytyssä käsittelypaikassa tai lähetä se Husqvarnalle hävitettäväksi.

## Tekniset tiedot

### Tekniset tiedot

	ST 124
<b>Mitat</b>	
Paino säiliöt tyhjinä, kg	76
Renkaiden enimmäiskäyttöpaine, psi	20
Syöttöaukon korkeus, cm	53,3
Työskentelyleveys, cm	61
<b>Moottori</b>	
Tuotemerkki	Husqvarna
Moottorin nimellisteho, kW	4,3
Sylinteritilavuus, cc	212
Polttoainetyyppi	Tavallinen lyijytön (enintään 10 % etanolia)
Polttoainesäiliön tilavuus, l	0,58/2,2
Öljytyyppi (API SJ-SN)	SAE 5W30 (alle 0 °C)
Öljysäiliön kokonaistilavuus, l	20/0,6
<b>Sähköjärjestelmä</b>	
Sytytystulppa	F7RTC
Sytytystulppien kärkiväli (tuumaa/mm)	0,027-0,031 / 0,7-0,8
<b>Melupäästöt</b> <sup>52</sup>	
Äänentehotaso, mitattu dB(A)	100
Äänentehotaso, taattu L <sub>WA</sub> dB(A)	102
<b>Äänitasot</b> <sup>53</sup>	
Äänenpainetaso käyttäjän korvan tasalla, L <sub>PA</sub> dB(A)	86
<b>Tärinätasot, a<sub>hv, eq</sub></b> <sup>54</sup>	
Kahvan tärinätaso, vasen/oikea	4,15/4,08

<sup>52</sup> Melupäästöt ympäristöön äänitehona (L<sub>WA</sub>) EY-direktiivien 2000/14/EY ja 2005/88/EC mukaisesti mitattuna. Melupäästöistä ilmoitettujen tietojen tyypillinen tilastollinen hajonta (keskihajonta) on 1,5 dB(A). Epävarmuus = 1,5 dB.

<sup>53</sup> Äänenpainetaso standardin EN ISO 11201 mukaan. Ilmoitetuilla tiedoilla äänenpainetasosta tyypillinen tilastollinen hajonta (vakiopoikkeama) on 1,5 dB (A). Epävarmuus = 1,5 dB.

<sup>54</sup> Tärinätaso standardin ISO 8437-4 liitteen B mukaan. Epävarmuus = 1,5 m/s<sup>2</sup>

# EY-vaatimustenmukaisuusvakuutus

## EU:N VAATIMUSTENMUKAISUUSVAKUUTUS

Husqvarna, SE- 561 82 Huskvarna, RUOTSI, vakuuttaa täten, että oheinen tuote:

Kuvaus	Lumilinko
Tuotemerkki	Husqvarna
Alusta / Tyyppi / Malli	ST 124
Erä	Sarjanumero alkaen 2020

vastaa täysin seuraavien EU:n direktiivien ja asetusten vaatimuksia:

Direktiivi/asetus	Kuvaus
2006/42/EY	Konedirektiivi
2014/30/EU	EMC-direktiivi
2000/14/EY; 2005/88/EY	Melupäästädirektiivi
2011/65/EU	Tiettyjen vaarallisten aineiden käytön rajoittamisesta annettu direktiivi

Asiassa sovelletaan seuraavia yhdenmukaistettuja standardeja ja/tai teknisiä määräyksiä: EN ISO 12100:2010, EN ISO 14982:2009, ISO 8437-1:2019, ISO 8437-2:2019, ISO 8437-4:2019, ISO 3744:1995, EN 1032:2003+A1:2008, EN 50581:2012

Ilmoitetut meluarvot on annettu direktiivien 2000/14/EY ja 2005/88/EY liitteen V mukaisesti tämän käyttöohjekirjan teknisissä tiedoissa sekä allekirjoitetussa EY:n vaatimustenmukaisuusvakuutuksessa.

Oheinen lumilinko on tarkistetun mallikappaleen mukainen.

Husqvarna AB:n, SE-561 82 Huskvarna, RUOTSI, puolesta 7.2.2020



Claes Losdal

EU:n alueelle sijoittunut henkilö, joka on valtuutettu kokoamaan teknisen tiedoston

---

# Sommaire

---

Introduction.....	149	Dépannage.....	161
Sécurité.....	150	Transport, entreposage et mise au rebut.....	163
Montage.....	155	Caractéristiques techniques.....	164
Utilisation.....	156	Déclaration de conformité CE.....	166
Entretien.....	158		

---

## Introduction

---

### Aperçu du produit

(Fig. 1)

1. Engagement de la vis sans fin
2. Levier de commande de la vitesse de transmission
3. Panneau de commande
4. Câble de vis sans fin
5. Commande du rotateur de la goulotte
6. Déflecteur de goulotte
7. Outil de nettoyage
8. Carter de vis sans fin
9. Vis sans fin
10. Plaque de protection
11. Pneu
12. Orifice de remplissage d'huile
13. Moteur
14. Poignée inférieure
15. Tige de commande de la vitesse de transmission
16. Câble d'entraînement
17. Poignée du lanceur
18. Engagement de la transmission
19. Poignées
20. Amorceur
21. Starter
22. Interrupteur de carburant
23. Clé marche/arrêt
24. Manuel d'utilisation

### Description du produit

Le produit est une souffleuse utilisée pour retirer la neige du sol.

### Utilisation prévue

Ce produit peut être utilisé pour retirer la neige des champs, des routes, des allées et des trottoirs. Ne l'utilisez pas sur des pentes de plus de 15°. N'utilisez pas ce produit dans des zones où il y a beaucoup de débris, de saletés et de pierres qui dépassent.

### Symbols on the product

---

**Remarque:** If the decals on the product are damaged, contact the distributor to replace them.

---

- (Fig. 2) Warning.
- (Fig. 3) Read the operator's manual.
- (Fig. 4)
- (Fig. 5) Hot surface.
- (Fig. 6) Risk of fire.
- (Fig. 7) Choke.
- (Fig. 8) Pull starter rope handle.
- (Fig. 9) Do not breathe in the exhaust fumes from the engine.
- (Fig. 10) Do not put any part of the body into the chute deflector or the auger housing when the augers rotate.
- (Fig. 11) Stop the engine before you remove snow from the chute deflector. Use the clean-out tool to remove snow, do not do it by hand.
- (Fig. 12)
- (Fig. 11) Keep hands away from the chute deflector.
- (Fig. 13) Objects can be ejected from the product.
- (Fig. 14) Keep bystanders away from the product when operating.
- (Fig. 15) Remove key before maintenance.
- (Fig. 16) Push in the on/off key to the RUN position.
- (Fig. 17) Turn the fuel switch to the ON position.
- (Fig. 18) Push the primer.
- (Fig. 19) Risk of falling.

- (Fig. 20) Move slowly rearward.
- (Fig. 21) Use approved protective gloves.
- (Fig. 22) Use a protective helmet. Use approved hearing protection. Use approved eye protection.
- (Fig. 23) Noise emissions to the environment according to European Directive 2000/14/EC and New South Wales legislation "Protection of the Environment Operations (Noise Control) Regulation 2017". Noise emission data can be found on the machine label and in the Technical data chapter.
- (Fig. 24) European machinery directive for safety.

**Remarque:** Other symbols/decals on the product refer to certification requirements for some markets.

## Émissions Euro V



**AVERTISSEMENT:** toute altération du moteur a pour effet d'annuler l'homologation de type UE de ce produit.

## Sécurité

### Définitions de sécurité

Les définitions ci-dessous indiquent le niveau de gravité pour chaque mention d'avertissement.



**AVERTISSEMENT:** Blessures aux personnes.



**REMARQUE:** Dommages au produit.

**Remarque:** Cette information facilite l'utilisation du produit.

### Procédures d'utilisation sûres pour les fraises à neige à pousser

#### Généralités

Cette machine peut trancher les mains et les pieds et projeter des objets. Le non-respect des consignes de sécurité suivantes peut entraîner de très graves blessures.

#### Formation

- Lisez et respectez toutes les instructions apposées sur la machine et énoncées dans le(s) manuel(s) avant d'utiliser la machine. Il est indispensable de bien se familiariser avec la machine et ses

### Fabricant

Husqvarna AB

Drottninggatan 2, SE-561 82 Huskvarna

### Responsabilité

Conformément à la loi sur la responsabilité du fait des produits, nous déclinons toute responsabilité pour tout dommage causé par notre produit si :

- le produit n'est pas correctement réparé ;
- le produit est réparé avec des pièces qui ne proviennent pas du fabricant ou qui ne sont pas homologuées par le fabricant ;
- le produit est équipé d'un accessoire qui ne provient pas du fabricant ou qui n'est pas homologué par le fabricant ;
- le produit n'est pas réparé par un centre d'entretien agréé ou par une autorité homologuée.

- commandes avant de l'utiliser. Sachez arrêter l'appareil et désengager les commandes rapidement
- N'autorisez jamais des enfants à utiliser la machine. Ne laissez jamais des adultes utiliser cette machine s'ils n'ont pas préalablement reçu les instructions pertinentes.
  - Ne laissez jamais personne s'approcher de la zone de travail, notamment les jeunes enfants et les animaux de compagnie.
  - Veillez à ne pas glisser ni trébucher, particulièrement lorsque vous utilisez la machine en marche arrière.

#### Préparation

- Inspectez attentivement la zone de travail avant d'utiliser la machine. Retirez les paillassons, planches, fils et autres corps étrangers.
- Débrayez et passez le point mort avant de démarrer le moteur.
- N'utilisez pas la machine sans porter de vêtements d'hiver adéquats. Évitez de porter des vêtements amples susceptibles de se prendre dans les organes mobiles. Passez des chaussures assurant une bonne adhérence sur les surfaces glissantes
- Portez toujours des lunettes ou un masque de protection pour les yeux pendant l'utilisation de la machine ou lorsque vous effectuez un réglage ou une réparation, de sorte à protéger vos yeux en cas de projection de corps étrangers.
- Manipulez l'essence avec précaution car elle est hautement inflammable.

- Utiliser un récipient homologué pour le stockage du carburant.
  - Ne faites jamais l'appoint en essence lorsque le moteur est en marche ou chaud.
  - Remplissez le réservoir à l'extérieur, en prenant toutes les précautions qui s'imposent. Ne remplissez jamais le réservoir à l'intérieur
  - Ne remplissez jamais le bidon à l'intérieur d'un véhicule ou sur un camion ou une remorque avec une bâche en plastique. Avant de le remplir, placez toujours le récipient sur le sol, loin de votre véhicule.
  - Dans la mesure du possible, descendez le matériel du camion ou de la remorque et faites l'appoint à même le sol. En cas d'impossibilité, faites l'appoint sur la remorque à l'aide d'un récipient portable et non à l'aide d'un pistolet à essence.
  - Gardez le pistolet en permanence en contact avec le bord du réservoir à essence ou du récipient, jusqu'à la fin de l'appoint. N'utilisez pas un pistolet avec un dispositif de blocage en position ouverte.
  - Remettez le bouchon du réservoir bien en place et essuyez les traces d'essence.
  - Changez immédiatement vos vêtements s'ils ont été en contact avec l'essence.
  - Pour les machines à moteur de démarrage électrique, utilisez des rallonges et des prises conformes à celles spécifiées par le fabricant.
  - Ajustez la hauteur du carter du collecteur avant de dégager une surface avec du gravier ou des cailloux.
  - N'essayez jamais de procéder à des réglages pendant que le moteur tourne (sauf si cette pratique est recommandée par le fabricant).
- lorsque vous effectuez un réglage, une réparation ou une inspection de la machine.
- Ne mettez pas le moteur en marche à l'intérieur, sauf lors du démarrage du moteur et pour sortir ou rentrer la fraise à neige dans le bâtiment. Ouvrez les portes vers l'extérieur ; les gaz d'échappement du moteur sont dangereux.
  - Soyez extrêmement prudent lorsque vous utilisez la machine sur des terrains en pente.
  - N'utilisez jamais la machine si les protections et les dispositifs de sécurité ne sont pas en place et en état de marche.
  - N'orientez jamais la goulotte d'éjection vers des personnes ou vers des endroits où les éventuelles projections pourraient causer des dégâts. Maintenez les enfants et les animaux domestiques à bonne distance.
  - Ne surchargez pas la capacité de la machine en essayant de déblayer la neige à trop grande vitesse.
  - N'utilisez jamais la machine à une vitesse élevée sur des surfaces glissantes. Lorsque vous reculez, regardez derrière vous et déplacez-vous lentement.
  - Coupez l'alimentation du collecteur/de la turbine lorsque vous transportez la machine ou que vous ne l'utilisez pas.
  - N'utilisez que les équipements et accessoires approuvés par le fabricant de la machine (ex. : masses de roues, contrepoids ou cabines).
  - N'utilisez jamais cette machine en cas de mauvaise visibilité ou luminosité. Gardez les pieds toujours bien daplomb sur le sol et maintenez la poignée avec fermeté. Marchez, ne courez jamais.
  - Ne touchez jamais le moteur ou le silencieux quand il est chaud.

## Utilisation

- Ne placez pas vos mains ou vos pieds à proximité ou sous les organes mobiles. Restez toujours éloigné de l'ouverture de l'éjecteur.
- Faites preuve d'une extrême prudence lorsque vous utilisez la machine sur des allées ou des chemins de graviers. Soyez prêt à tout danger éventuel, tout particulièrement lors de l'utilisation à proximité de la voie publique.
- Si vous percutez un corps étranger, arrêtez le moteur, retirez le câble de la bougie, débranchez le câble (moteur électrique) et inspectez attentivement la fraise à neige pour vous assurer de l'absence de dégâts. En cas de dommages, réparez-les avant de redémarrer et de réutiliser la fraise à neige.
- Si la machine commence à vibrer de façon anormale, arrêtez le moteur et cherchez-en immédiatement la cause. Les vibrations sont généralement le signe d'une anomalie.
- Arrêtez le moteur chaque fois que vous quittez la position de travail, avant de débloquer le carter du collecteur/de la turbine ou la goulotte d'éjection, et

## Déblocage d'une goulotte d'éjection obstruée

- Le contact des mains avec la turbine en rotation à l'intérieur de la goulotte d'éjection est la cause de blessure la plus courante associée aux fraises à neige. Ne nettoyez jamais la goulotte d'éjection avec vos mains.
- Pour débloquer la goulotte :
  1. COUPEZ LE MOTEUR.
  2. Attendez 10 secondes le temps que les lames de la turbine cessent de tourner.
  3. Utilisez toujours un outil de nettoyage, pas vos mains.

## Entretien et remisage

- Vérifiez régulièrement que les boulons de cisaillement et autres boulons ne sont pas desserrés pour vous assurer que l'équipement peut être utilisé sans danger.
- Ne remisez jamais la machine avec du carburant dans le réservoir à l'intérieur d'un bâtiment où se trouvent des sources d'ignition telles que des chauffe-eau, des radiateurs ou des sèche-linge. Laissez refroidir le moteur avant de remettre la machine dans un endroit clos.

- Consultez toujours le manuel d'instructions pour connaître les informations importantes lorsque la fraise à neige doit être remise pendant une période prolongée.
- Conservez les étiquettes de sécurité en bon état et remplacez-les si nécessaire.
- Faites tourner la machine pendant quelques minutes après avoir éjecté de la neige pour éviter que le collecteur/la turbine ne gèle.
- Avant de nettoyer, réparer ou inspecter la fraise à neige, arrêtez le moteur et vérifiez que le collecteur/la turbine ainsi que toutes les pièces mobiles se sont immobilisées. Débranchez le câble des bougies et tenez-le éloigné des bougies afin d'éviter tout démarrage accidentel du moteur.
- Ne démarrez pas le produit dans un local clos ou à proximité de matériaux inflammables. Les gaz d'échappement sont très chauds et peuvent contenir une étincelle pouvant provoquer un incendie. Un débit d'air insuffisant peut causer des blessures graves, voire mortelles dues à une asphyxie ou au monoxyde de carbone.
- Lorsque vous utilisez ce produit, le moteur crée un champ électromagnétique. Le champ électromagnétique peut endommager les implants médicaux. Consultez votre médecin et le fabricant de votre implant avant d'utiliser ce produit.
- Ne laissez pas un enfant utiliser le produit. Ne laissez personne utiliser le produit sans en connaître les instructions d'utilisation.

## Instructions générales de sécurité

- Utilisez le produit correctement. Une utilisation inappropriée peut causer des blessures graves, voire mortelles. Utilisez uniquement le produit pour les tâches décrites dans le présent manuel. N'utilisez pas ce produit pour d'autres travaux.
- Respectez les instructions de ce manuel. Respectez les symboles et les instructions de sécurité. Le non-respect des instructions et des symboles par l'opérateur peut causer des blessures graves, voire mortelles, ou des dommages.
- Ne jetez pas ce manuel. Utilisez les instructions pour assembler, utiliser et conserver votre produit en bon état. Utilisez les instructions pour l'installation appropriée des équipements et accessoires. Utilisez uniquement des équipements et accessoires homologués.
- N'utilisez pas de produit endommagé. Respectez le schéma d'entretien. Effectuez uniquement les travaux d'entretien dont les instructions sont comprises dans ce manuel. Tous les autres travaux d'entretien doivent être effectués par un centre d'entretien agréé.
- Ce manuel ne peut pas inclure toutes les situations qui peuvent se produire lorsque vous utilisez le produit. Soyez prudent et utilisez votre bon sens. N'utilisez pas ou n'effectuez pas de travaux d'entretien sur le produit si vous n'êtes pas sûr de la situation. Contactez un spécialiste du produit, votre revendeur, votre agent d'entretien ou centre d'entretien agréé pour plus d'informations.
- Déconnectez la bougie avant d'assembler, de stocker ou d'effectuer l'entretien du produit.
- N'utilisez pas le produit si ses caractéristiques initiales ont été changées. Ne remplacez pas une pièce du produit sans l'approbation du fabricant. Utilisez uniquement les pièces qui sont approuvées par le fabricant. Un entretien inapproprié peut causer des blessures graves, voire mortelles.
- Ne respirez pas les fumées provenant du moteur. À long terme, l'inhalation de gaz d'échappement dégagés par le moteur constitue un danger pour la santé.
- Assurez-vous de toujours surveiller une personne aux capacités physiques ou mentales réduites qui utilise le produit. Un adulte responsable doit être présent à tout moment.
- Stockez le produit dans une zone dont l'accès est fermé aux enfants et aux personnes non autorisées.
- Le produit peut projeter des objets et causer des blessures. Respectez les consignes de sécurité afin de réduire le risque de blessures graves ou mortelles.
- Ne vous éloignez pas du produit lorsque le moteur est allumé.
- L'opérateur du produit est tenu responsable en cas d'accident.
- Avant et pendant que vous marchez à reculons, regardez derrière vous et à vos pieds pour vérifier la présence éventuelle de jeunes enfants, d'animaux ou d'autres risques qui pourraient vous faire tomber.
- Assurez-vous que les pièces ne soient pas endommagées avant d'utiliser le produit.
- Assurez-vous de maintenir une distance minimum de 15 m (50 ft) entre vous et les autres personnes ou animaux avant d'utiliser le produit. Assurez-vous que toute personne présente dans une zone adjacente sache que vous allez utiliser le produit.
- Référez-vous aux lois nationales ou locales. Elles peuvent empêcher ou limiter le fonctionnement du produit dans certaines conditions.

## Formation

- Lisez et respectez toutes les instructions apposées sur la machine et énoncées dans le(s) manuel(s) avant d'utiliser la machine. Il est indispensable de bien se familiariser avec l'équipement et ses commandes avant de l'utiliser. Sachez arrêter l'appareil et désengager les commandes rapidement.
- Ne laissez jamais un enfant manipuler cet équipement. Ne laissez jamais des adultes utiliser cet équipement s'ils n'ont pas préalablement reçu les instructions pertinentes.
- Ne laissez jamais personne s'approcher de la zone de travail, notamment les jeunes enfants et les animaux de compagnie.



- Veillez à ne pas glisser ou trébucher lorsque vous utilisez la souffleuse à neige en marche arrière.

## Consignes de sécurité pour le fonctionnement

- Ne placez pas vos mains ou vos pieds à proximité ou sous les organes mobiles. Restez toujours éloigné de l'ouverture de l'éjecteur.
- Soyez extrêmement prudent lorsque vous utilisez la machine sur des routes, des trottoirs ou des chemins avec graviers. Restez vigilant par rapport aux risques cachés ou au trafic
- Si vous percez un corps étranger, arrêtez le moteur, retirez le câble de la bougie, débranchez le câble (moteur électrique) et inspectez attentivement le produit pour vous assurer de l'absence de dégâts. En cas d'endommagement, réparez-les avant de redémarrer et de réutiliser le produit.
- Si le produit commence à vibrer de façon anormale, arrêtez le moteur et cherchez-en immédiatement la cause. Les vibrations sont généralement le signe d'une anomalie.
- Arrêtez le moteur à chaque fois que vous quittez la zone de travail, avant de débloquer le carter de la vis sans fin ou le déflecteur de la goulotte, et lorsque vous effectuez un réglage, une réparation ou une inspection de la machine.
- Lorsque vous souhaitez nettoyer, réparer ou inspecter le produit, coupez le moteur et vérifiez que les vis sans fin ainsi que toutes les pièces mobiles se sont immobilisées. Débranchez le câble des bougies et tenez-le éloigné des bougies afin d'éviter tout démarrage accidentel du moteur.
- Ne mettez pas le moteur en marche à l'intérieur, sauf lors du démarrage du moteur et pour sortir ou rentrer le produit dans le bâtiment. Ouvrez les portes vers l'extérieur ; les gaz d'échappement du moteur sont dangereux.
- Soyez extrêmement prudent lorsque vous utilisez la machine sur des terrains en pente.
- N'utilisez jamais le produit si les dispositifs de protection ne sont pas en place et en état de marche.
- N'orientez jamais le déflecteur de la goulotte vers des personnes ou vers des endroits où les éventuelles projections pourraient causer des dégâts. Maintenez les enfants et les animaux domestiques à bonne distance.
- Ne surchargez pas la capacité du produit en essayant de déblayer la neige à trop grande vitesse.
- N'utilisez jamais le produit à une vitesse élevée sur des surfaces glissantes. Lorsque vous reculez, regardez derrière vous et déplacez-vous lentement.
- Desserrez les vis sans fin lorsque vous transportez le produit ou ne l'utilisez pas.
- N'utilisez que les attaches et accessoires approuvés par le fabricant du produit (poids des roues, contrepoids ou cabines).

- N'utilisez jamais ce produit si la visibilité ou la luminosité n'est pas bonne. Gardez les pieds toujours bien daplomb sur le sol et maintenez la poignée avec fermeté. Marchez, ne courez jamais.
- Ne touchez jamais le moteur ou le silencieux quand il est chaud.

## Sécurité dans l'espace de travail

- Inspectez attentivement la zone de travail avant d'utiliser l'équipement. Enlevez les pailleçons, planches, fils et autres corps étrangers.
- Débrayez et passez le point mort avant de démarrer le moteur.
- N'utilisez pas le produit sans porter de vêtements d'hiver adéquats. Évitez de porter des vêtements amples susceptibles de se prendre dans les organes mobiles. Passez des chaussures assurant une bonne adhérence sur les surfaces glissantes
- Manipulez l'essence avec précaution car elle est hautement inflammable.
  - Utiliser un récipient homologué pour le stockage du carburant.
  - Ne faites jamais l'appoint en essence lorsque le moteur est en marche ou chaud.
  - Remplissez le réservoir à l'extérieur, en prenant toutes les précautions qui s'imposent. Ne remplissez jamais le réservoir à l'intérieur
  - Ne remplissez jamais le bidon à l'intérieur d'un véhicule ou sur un camion ou une remorque avec une bâche en plastique. Avant de le remplir, placez toujours le récipient sur le sol, loin de votre véhicule.
  - Dans la mesure du possible, descendez le matériel du camion ou de la remorque et faites l'appoint à même le sol. En cas d'impossibilité, faites l'appoint sur la remorque à l'aide d'un récipient portable et non à l'aide d'un pistolet à essence.
  - Gardez le pistolet en permanence en contact avec le bord du réservoir à essence ou du récipient, jusqu'à la fin de l'appoint. N'utilisez pas un pistolet avec un dispositif de blocage en position ouverte.
  - Remettez le bouchon du réservoir bien en place et essuyez les traces d'essence.
  - Changez immédiatement vos vêtements s'ils ont été en contact avec l'essence.
- Pour les machines à moteur à entraînement ou à démarrage électrique, utilisez des rallonges conformes à celles spécifiées par le fabricant.
- Réglez la hauteur du carter de la vis sans fin pour dégager une surface avec du gravier ou des cailloux.
- N'essayez jamais d'effectuer des réglages lorsque le moteur tourne (à moins que cela ne soit spécialement recommandé par le fabricant).
- Portez toujours des lunettes ou un masque de protection pour les yeux pendant l'utilisation de la machine ou lorsque vous effectuez un réglage ou

une réparation, de sorte à protéger vos yeux en cas de projection de corps étrangers.

## Équipement de protection individuelle

Utilisez toujours un équipement de protection individuelle approprié lors de tout travail avec l'appareil. Cela comprend, au minimum, des chaussures robustes, des protections pour les yeux et des protège-oreilles. L'équipement de protection individuel n'élimine pas les risques, mais il peut réduire la gravité des blessures en cas d'accident.

- Portez toujours des lunettes de sécurité ou des protections pour les yeux pendant l'utilisation du produit ou pendant son entretien ou sa réparation.
- Portez toujours des vêtements d'hiver appropriés lorsque vous utilisez le produit.
- Utilisez toujours des bottes antidérapantes très résistantes qui soutiennent bien les chevilles pendant que vous utilisez le produit.
- Ne portez pas de vêtements lâches pouvant s'accrocher dans les pièces mobiles.
- Utilisez des gants de protection homologués, si nécessaire. Par exemple, lorsque vous fixez, examinez ou nettoyez la lame.
- Utilisez toujours des protections auditives homologuées lorsque vous faites fonctionner le produit. Une exposition au bruit sur de longues périodes peut provoquer une perte d'audition.

## Dispositifs de sécurité sur le produit

- Assurez-vous de régulièrement entretenir le produit.
  - La durée de vie du produit augmente.
  - Le risque d'accident diminue.

Laissez un revendeur ou un centre d'entretien agréé régulièrement examiner le produit pour effectuer des réglages ou des réparations.

- N'utilisez pas un produit dont les équipements de protection sont endommagés. Si le produit est endommagé, contactez un centre d'entretien agréé.

## Silencieux

Le silencieux est conçu pour réduire au maximum le niveau sonore et rejeter les gaz d'échappement loin de l'utilisateur.

N'utilisez pas la machine si le silencieux est manquant ou défectueux. Un silencieux en mauvais état augmente le niveau sonore et le risque d'incendie.



**AVERTISSEMENT:** Le silencieux devient très chaud pendant et après utilisation et lorsque le moteur fonctionne au régime de ralenti. Soyez vigilant à proximité des matériaux inflammables et/ou des fumées pour prévenir tout risque d'incendie.

## Sécurité carburant



**AVERTISSEMENT:** Lisez les instructions qui suivent avant d'utiliser le produit.

- Ne démarrez pas le produit si du carburant ou de l'huile moteur a été renversé(e) sur le produit. Essayez le carburant/l'huile et attendez que le produit sèche.
- Si vous avez renversé du carburant sur vos vêtements, changez de vêtements immédiatement.
- Évitez tout contact de la peau avec le carburant. Le carburant peut causer des blessures. Si votre peau entre en contact avec le carburant, lavez les parties qui ont été en contact avec de l'eau et du savon.
- Ne démarrez pas le produit s'il y a une fuite de moteur. Vérifiez régulièrement s'il y a des fuites de moteur.
- Faites attention avec le carburant. Le carburant est inflammable et ses vapeurs sont explosives. Il peut causer des blessures graves, voire mortelles.
- Ne respirez pas les vapeurs de carburant, elles peuvent causer des blessures. Assurez-vous que la ventilation est suffisante.
- Ne fumez pas à proximité du carburant ou du moteur.
- Ne mettez pas d'objets chauds à proximité du carburant ou du moteur.
- N'ajoutez pas de carburant lorsque le moteur est allumé.
- Assurez-vous que le moteur est froid avant de faire le plein de carburant.
- Avant de faire le plein, ouvrez le bouchon du réservoir de carburant lentement et relâchez la pression avec précaution.
- N'ajoutez pas de carburant au moteur dans un espace intérieur. Un débit d'air insuffisant peut causer des blessures graves, voire mortelles dues à une asphyxie ou au monoxyde de carbone.
- Serrez complètement le bouchon du réservoir de carburant. Si le bouchon du réservoir de carburant n'est pas serré, il y a un risque d'incendie.
- Déplacez le produit à un minimum de 3 m/10 ft de l'endroit où a été fait le plein de carburant avant de démarrer le produit.
- Ne remplissez pas entièrement le réservoir de carburant. La chaleur entraîne la dilatation du carburant. Laissez un espace en haut du réservoir de carburant.

## Avertissement relatif aux produits chimiques



**AVERTISSEMENT:** les gaz d'échappement de ce produit contiennent des produits chimiques reconnus par l'État de Californie comme étant la cause de cancers, malformations à la naissance et autres troubles de la reproduction. Pour plus

## Consignes de sécurité pour l'entretien



**AVERTISSEMENT:** Lisez les instructions qui suivent avant d'utiliser le produit.

- Les gaz d'échappement du moteur contiennent du monoxyde de carbone, un gaz inodore, toxique et très dangereux. Ne démarrez pas le moteur en intérieur ou dans des espaces fermés.
- Avant de procéder à l'entretien du produit, arrêtez le moteur et débranchez le câble d'allumage de la bougie.
- Utilisez des gants de protection lorsque vous procédez à l'entretien des lames. Les lames sont très tranchantes et des coupures peuvent survenir facilement.

- Les accessoires et les modifications apportées au produit qui ne sont pas approuvés par le fabricant peuvent causer des blessures très graves, voire mortelles. Ne modifiez pas le produit. Utilisez toujours des accessoires qui sont approuvés par le fabricant.
- Si l'entretien n'est pas effectué correctement et régulièrement, le risque de blessures et d'endommagement du produit augmente.
- Effectuez uniquement les tâches d'entretien décrites dans le présent manuel de l'opérateur. Toutes les autres tâches d'entretien doivent être effectuées par un atelier spécialisé agréé.
- Demandez à un atelier spécialisé d'effectuer régulièrement l'entretien du produit.
- Remplacez les pièces endommagées, usées ou cassées.

## Montage



**AVERTISSEMENT:** Assurez-vous de lire et de comprendre le chapitre dédié à la sécurité avant de monter l'appareil.

### Pour installer les poignées

1. Déposez les 4 boulons de bride M8x25 (A) du carter.
2. Utilisez les 4 boulons de bride M8x25 (A), les 4 entretoises à ressort (B) et les 4 entretoises plates (C).
3. Installez la poignée inférieure (D) dans les 2 trous de chaque côté du carter. (Fig. 25)
4. Utilisez les 3 boulons de verrouillage de la poignée M8x50 (A), les 3 entretoises (B), les 3 boutons de poignée (C) et les 3 écrous de verrouillage (D).
5. Installez la poignée supérieure avec le panneau de commande (E) sur la poignée inférieure. (Fig. 26)

### Pour monter le déflecteur de goulotte

1. Déposez le disque du rotateur (B) et les 6 boulons de bride hexagonaux (D) du carter.
2. Fixez le disque du rotateur (B) et le déflecteur de goulotte (A) sur la base de la goulotte à l'aide de 3 cales (C).
3. Utilisez 6 boulons de bride hexagonaux (D) et 6 écrous de verrouillage (E) pour bloquer les cales (C). (Fig. 27)

### Pour monter le rotateur de la goulotte

1. Montez l'extrémité avant du rotateur de la goulotte.
2. Installez la bague en plastique (B) sur l'extrémité avant du rotateur de la goulotte.

3. Fixez le rotateur de la goulotte avec 1 entretoise plate (A) et 1 goupille en épingle à cheveux (C). (Fig. 28)
4. Montez l'extrémité arrière du rotateur de la goulotte.
5. Utilisez 1 écrou de verrouillage M8 (A), 1 bouton de poignée de verrouillage en plastique (B), 2 entretoises courbes (C) et 1 vis (D) pour monter le rotateur de la goulotte.
6. Utilisez 1 écrou hexagonal M8 (E) pour fixer le rotateur de la goulotte (F) dans les trous de la poignée. (Fig. 29)

### Pour monter la tige de commande de la vitesse de transmission

1. Installez la longue extrémité courbée de la tige de commande de la vitesse de transmission (A) sur le panneau de commande et fixez-la avec 1 ressort de bielle (B), 1 entretoise plate (C) et 1 goupille fendue (D). (Fig. 30)
2. Tirez la plaque de connexion de vitesse (B) vers le haut et installez la courte extrémité courbée de la tige de commande de la vitesse de transmission (A). Fixez la tige de commande de la vitesse de transmission (A) avec 1 entretoise plate (C) et 1 goupille fendue (D). (Fig. 31)
3. Si nécessaire, rallongez la tige de commande de la vitesse de transmission. Desserrez les écrous de verrouillage du tendeur et tournez le tendeur. Serrez le tendeur à son emplacement d'origine pour une commande de vitesse correcte. L'emplacement d'origine est marqué sur les filetages. (Fig. 32)

## Pour monter les câbles de vis sans fin et d'entraînement

1. Déposez les 2 boulons de câble (B) des câbles (D).
2. Fixez les 2 boulons de câble (B) au niveau des trous de poignée gauche et droite (A). (Fig. 33)

3. Fixez les câbles (D) aux boulons de câble (B).
4. Connectez et verrouillez l'insert fileté de câble gauche et droit (D) et le boulon de câble (B) jusqu'à ce que le haut du contre-écrou en laiton (C) soit aligné avec le repère sur les filetages (E).
5. Bloquez le câble avec le contre-écrou en laiton (C).

## Utilisation



**AVERTISSEMENT:** avant d'utiliser la machine, veuillez à bien lire et comprendre le chapitre sur la sécurité et les instructions de montage.

### Avant de démarrer le produit

- Veillez à ce que les personnes et les animaux soient à une distance suffisante de la zone de travail.
- Effectuez l'entretien quotidien. Consultez la section *Calendrier de maintenance à la page 158*.
- Assurez-vous que le câble d'allumage est bien placé sur la bougie.
- Ajoutez de l'huile ou de l'essence, si nécessaire. Consultez la section *Pour remplir le moteur d'huile à la page 156*.

### Pour remplir le moteur d'huile



**REMARQUE:** Ne faites pas tourner la jauge lorsque vous vérifiez l'huile. Ne remplissez pas au-delà du repère.

1. Déposez le bouchon du réservoir d'huile et nettoyez la jauge. Reportez-vous à *Aperçu du produit à la page 149* pour connaître l'emplacement de la jauge.
2. Ajoutez de l'huile jusqu'au repère supérieur de la jauge. Utilisez la jauge pour vérifier le niveau d'huile à intervalles réguliers.
3. Remplacez le bouchon du réservoir d'huile.

### Pour remplir le réservoir de carburant

Si cela est possible, utilisez de l'essence d'alkylate/écologique. Si vous ne pouvez pas vous procurer de l'essence d'alkylate/écologique, utilisez de l'essence sans plomb de bonne qualité. Utilisez de l'essence avec un indice d'octane de 90 RON en dehors de l'Amérique du Nord (87 (R+M)/2 en Amérique du Nord) ou plus, et avec un maximum de 10 % d'éthanol (E10).



**REMARQUE:** N'utilisez pas d'essence avec un indice d'octane inférieur à 90 RON en dehors de l'Amérique du Nord (87 (R+M)/2 en Amérique du Nord). Cela peut endommager le produit.

1. Ouvrez lentement le couvercle du réservoir de carburant pour relâcher la pression.

2. Remplissez lentement le réservoir à l'aide d'un bidon de carburant. Si vous renversez du carburant, essuyez-le à l'aide d'un chiffon et laissez le carburant restant sécher.
3. Essuyez le pourtour du bouchon du réservoir de carburant.
4. Serrez complètement le bouchon du réservoir de carburant. Si le bouchon du réservoir de carburant n'est pas serré, il y a un risque d'incendie.
5. Déplacez le produit à un minimum de 3 m (10 ft) de l'endroit où a été fait le plein de carburant avant de démarrer le produit.

### Pour régler le déflecteur de goulotte

La direction d'éjection de la neige est contrôlée par la commande du rotateur de la goulotte qui est installée sur la poignée gauche.

1. Tournez la commande du rotateur de la goulotte pour régler le sens de rotation pour l'éjection de la neige.
2. Tournez la commande du rotateur de la goulotte dans le sens des aiguilles d'une montre pour projeter la neige vers la droite.
3. Tournez la commande du rotateur de la goulotte dans le sens inverse des aiguilles d'une montre pour projeter la neige vers la gauche. (Fig. 34)
4. Déplacez le déflecteur d'angle vers le haut ou vers le bas pour régler la distance d'éjection de la neige. (Fig. 35)

### Pour démarrer le moteur

1. Relâchez l'engagement de la transmission. Placez le levier de commande de la vitesse de transmission en première position.
2. Placez l'interrupteur de carburant en position ON (marche). (Fig. 36)
3. Placez le starter en position fermée. (Fig. 37)
4. Appuyez sur la clé marche/arrêt pour la placer en position RUN (marche). (Fig. 38)
5. Poussez 1 à 3 fois l'amorceur pour démarrer la pompe de charge. Utilisez la pompe de charge en cas de démarrage à froid par temps froid. (Fig. 39)
6. Tirez sur la poignée du lanceur. (Fig. 40)



**REMARQUE:** ne relâchez pas la poignée du lanceur trop rapidement. Ramenez-la lentement en position initiale.

**Remarque:** si la poignée du lanceur a gelé, tirez doucement sur le câble pour en sortir autant que possible du démarreur et relâchez la poignée du lanceur. Si le moteur ne démarre pas, répétez la procédure ou utilisez le démarreur électrique.

7. Faites tourner le moteur au ralenti pendant 30 à 40 secondes avant de commencer à projeter de la neige.
8. Lorsque le moteur est chaud, déplacez lentement le starter en position ouverte. (Fig. 41)

## Pour démarrer le moteur, démarrage électrique



**AVERTISSEMENT:** le produit est équipé d'un démarreur électrique de 230 VCA. N'utilisez pas le démarreur électrique si votre domicile ne possède pas un circuit 230 VCA avec une mise à la terre correcte. Cela pourrait entraîner des blessures corporelles graves ou des dommages au produit. Le démarreur électrique possède une prise d'alimentation à trois fiches et est conçu pour utiliser un courant domestique de 230 VCA. Assurez-vous que votre domicile comporte un circuit 230 VCA avec une mise à la terre correcte. En cas de doute, demandez à un électricien agréé.

**Remarque:** utilisez une rallonge recommandée pour une utilisation en extérieur avec un fil d'au moins 1,5 mm<sup>2</sup> (16 AWG) ne dépassant pas 15 m (50 pieds) de long.

1. Relâchez l'engagement de la transmission. Placez le levier de commande de la vitesse de transmission en première position.
2. Placez l'interrupteur de carburant en position ON (marche). (Fig. 36)
3. Placez le starter en position fermée. (Fig. 37)
4. Appuyez sur la clé marche/arrêt pour la placer en position RUN (marche). (Fig. 38)
5. Poussez 1 à 3 fois l'amorceur pour démarrer la pompe de charge. Utilisez la pompe de charge en cas de démarrage à froid par temps froid. (Fig. 39)
6. Branchez le produit à la source d'alimentation. (Fig. 42)
7. Appuyez sur le bouton de démarrage du boîtier de commande et maintenez-le enfoncé pendant 5 secondes. (Fig. 43)

8. Si le moteur ne démarre pas, attendez 5 secondes, puis appuyez à nouveau sur le bouton de démarrage.



**REMARQUE:** n'essayez pas de faire démarrer le moteur plus de 10 fois. Au bout de 10 fois, attendez 40 minutes avant de réessayer.

9. Débranchez le cordon d'alimentation du produit lorsque le moteur a démarré.
10. Faites tourner le moteur au ralenti pendant 30 à 40 secondes avant de commencer à projeter de la neige.
11. Lorsque le moteur est chaud, déplacez lentement le starter en position ouverte. (Fig. 41)

## Pour utiliser le produit

1. Serrez l'engagement de la vis sans fin contre la poignée pour engager la vis sans fin et projeter la neige. (Fig. 44)
2. Déplacez le levier de commande de la vitesse de transmission vers la gauche pour faire avancer le produit. Déplacez le levier de commande de la vitesse de transmission vers la droite pour faire reculer le produit. (Fig. 45)
3. Actionnez l'engagement de la transmission avec la poignée droite.
4. Serrez l'engagement de la transmission contre la poignée pour engager les roues motrices. Le produit se déplace vers l'avant ou vers l'arrière en fonction de l'emplacement du levier de commande de la vitesse de transmission. (Fig. 46)

## Pour arrêter le produit

**Remarque:** pour arrêter le moteur en cas d'urgence, retirez la clé marche/arrêt.

1. Relâchez l'engagement de la transmission pour arrêter les roues motrices.
2. Relâchez l'engagement de la vis sans fin pour désengager la vis sans fin et arrêter de projeter de la neige. (Fig. 47)
3. Placez l'interrupteur de carburant en position OFF (marche). (Fig. 48)
4. Retirez la clé marche/arrêt. (Fig. 49)

## Pour obtenir de bons résultats

- Faites toujours tourner le moteur à plein régime ou à régime presque plein.
- Adaptez toujours la vitesse du produit à la situation d'enneigement et adaptez la vitesse avec le levier de régulation du régime d'entraînement. Assurez-vous que le produit évacue la neige uniformément.
- Il est plus facile et plus efficace d'éliminer la neige immédiatement après la chute.

- Soufflez toujours la neige dans la direction du vent si possible.
- Sur les surfaces planes, comme les routes goudronnées, relevez les plaques de protection jusqu'à 5 à 6 mm (0,2 à 0,25 po) au-dessus du sol.
- La barre du grattoir est réversible. Lorsqu'elle est usée presque jusqu'au bord du logement, inversez-la. Remplacez la barre du grattoir si elle est endommagée ou si les deux côtés sont usés.
- N'utilisez pas le déflecteur de la goulotte s'il est bouché.
- Si le produit n'avance pas en raison de circonstances exceptionnelles, relâchez immédiatement l'engagement de l'entraînement ou mettez la clé de marche/arrêt en position OFF (arrêt).

## Entretien

### Calendrier de maintenance

Entretien	Au quotidien	20 heures	50 heures	100 heures
Assurez-vous que les vis et les écrous sont serrés	X			
Contrôlez le niveau d'huile moteur	X			
Vidanger l'huile <sup>55</sup>		X	X	X
Assurez-vous de l'absence de fuite d'huile ou de carburant	X			
Retirez l'obstruction ou les corps étrangers présents dans la vis sans fin	X			
Inspectez la pression des pneus <sup>56</sup>			X	
Inspectez et remplacez la bougie <sup>57</sup>				X

**Remarque:** Il n'est pas nécessaire d'ajouter de la graisse ou d'effectuer d'autres opérations d'entretien sur la boîte de vitesses.

### Pour faire une inspection générale

- Assurez-vous que l'ensemble des vis et des écrous du produit sont correctement serrés.

### Pour contrôler le niveau d'huile



**REMARQUE:** Un niveau d'huile trop bas peut endommager le moteur. Contrôlez le niveau d'huile avant de démarrer le produit.

1. Placez le produit sur un sol plat.
2. Retirez le bouchon du réservoir d'huile et la jauge qui y est attachée.
3. Nettoyez l'huile sur la jauge.
4. Insérez entièrement la jauge dans le réservoir d'huile pour connaître le véritable niveau d'huile.
5. Enlevez la jauge.
6. Inspectez le niveau d'huile sur la jauge.
7. Si le niveau d'huile est bas, faites l'appoint d'huile moteur et contrôlez à nouveau le niveau d'huile.

<sup>55</sup> Vidangez l'huile après les 20, 50 et 100 premières heures, puis toutes les 100 heures.

<sup>56</sup> Reportez-vous à la rubrique des caractéristiques techniques pour connaître la pression correcte des pneus.

<sup>57</sup> Vérifiez et nettoyez la bougie tous les ans avant utilisation.

## Pour remplacer l'huile moteur

1. Faites tourner le moteur quelques minutes pour chauffer l'huile. L'huile chaude s'écoule plus facilement et emporte avec elle plus de contaminants.



**AVERTISSEMENT:** L'huile du moteur est chaude. Évitez tout contact entre la peau et l'huile moteur usagée.

2. Placez le produit sur un sol plat.
3. Faites tourner le moteur jusqu'à ce qu'il n'y ait plus de carburant.
4. Retirez la clé de contact.
5. Placez un récipient sous le bouchon de vidange d'huile.
6. Déposez le bouchon de vidange d'huile, faites basculer le produit en arrière et vidangez l'huile usagée dans le récipient. (Fig. 50)
7. Remettez le produit en position de fonctionnement.
8. Installez le bouchon de vidange d'huile et serrez-le à la main.
9. Remplissez le carter d'huile (voir *Pour remplir le moteur d'huile à la page 156*).

## Pour vérifier la bougie



**REMARQUE:** Utilisez toujours le type de bougie recommandé. Un type de bougie inadéquat peut endommager le produit.

- Inspectez la bougie si le moteur manque de puissance, n'est pas facile à démarrer ou ne fonctionne pas correctement lorsqu'il tourne au régime de ralenti.
- Afin de réduire le risque de matériaux indésirables présents sur les électrodes de la bougie, procédez comme suit :
  - a) Assurez-vous que le régime de ralenti est correctement réglé.
  - b) Assurez-vous que le type de carburant est correct.
  - c) Assurez-vous que le filtre à air est propre.
- Si la bougie est encrassée, nettoyez-la et vérifiez que l'écartement des électrodes est correct ; reportez-vous à la section *Caractéristiques techniques à la page 164*. (Fig. 51)
- Remplacez la bougie si nécessaire.

## Pour inspecter les vis sans fin et la barre du grattoir

1. Avant chaque utilisation, vérifiez l'absence d'usure sur les vis sans fin et la barre du grattoir.
2. Si le bord de la barre du grattoir est usé, inversez la barre du grattoir. Si la barre du grattoir est

endommagée ou est usée sur les deux bords, remplacez-la.

3. Si les bords des vis sans fin sont usés, contactez un centre de service agréé pour les remplacer.

## Pour régler les plaques de protection

Les plaques de protection empêchent d'endommager le dessous de la souffleuse à neige. Réglez les plaques de protection (A) lorsque le contre-écrou (B) est desserré, ou lorsque la plaque de protection n'est pas à la bonne distance du sol. Aucun réglage n'est requis pour l'installation standard.

1. Desserrez le contre-écrou (B) à l'aide d'une clé plate de 13 mm (½ po).
2. Déplacez les plaques de protection (A) vers le haut ou vers le bas.
  - a) Sur les surfaces planes, réglez la distance entre la barre du grattoir et le sol à 5-6 mm (0,2 - 0,25 po).
  - b) Sur des surfaces rugueuses, placez les plaques de protection (A) dans une position où la barre du grattoir est au-dessus du sol.



**AVERTISSEMENT:** Veillez à ce que le gravier et les pierres n'entrent pas dans le produit. Les objets éjectés à grande vitesse peuvent causer des blessures.

3. Serrez le contre-écrou (B). (Fig. 52)

## Pour remplacer la goupille de cisaillement

La goupille de cisaillement protège le produit contre les dommages. Elle se brise si un corps étranger pénètre dans les pièces mobiles.

1. En cas de rupture de la goupille de cisaillement, arrêtez le moteur.
2. Fixez une goupille de cisaillement neuve (A) et un ressort de serrage neuf (B). (Fig. 53)

## Pour examiner les pneus

- Évitez que les pneus entrent en contact avec du carburant, de l'huile et des produits chimiques pour ne pas endommager le caoutchouc.
- Maintenez les pneus à l'écart des souches, des pierres, des ornières, des objets pointus et de tout autre objet pouvant les endommager.
- Conservez une pression correcte des pneus (consultez *Caractéristiques techniques à la page 164*).

## Pour déboucher un déflecteur de goulotte d'éjection

Ne débouchez pas le déflecteur de goulotte d'éjection avant d'avoir réalisé les opérations suivantes.

1. Relâchez l'engagement de la vis sans fin et l'engagement de l'entraînement en même temps.
2. Attendez 10 secondes pour vous assurer que les vis sans fin se sont immobilisées.
3. Arrêtez le produit.
4. Utilisez l'outil de nettoyage (d'au moins 37 cm (15 po) de long, inclus dans certains modèles) pour déposer le bouchon.



**AVERTISSEMENT:** Ne mettez pas les mains dans le déflecteur de goulotte

d'éjection ou à l'intérieur du godet de la vis sans fin.

---

## Pour nettoyer le produit

- Nettoyez les éléments en plastique avec un chiffon sec et propre.
- N'utilisez pas de nettoyeur haute pression pour le nettoyage du produit.
- Ne jetez pas d'eau directement sur le moteur.
- Utilisez une brosse pour enlever les feuilles, l'herbe et la saleté.



# Dépannage

## Dépannage

Problème	Cause possible	Solution
Le produit ne démarre pas	La clé de contact n'est pas insérée.	Insérez la clé de contact.
	Le produit est en panne de carburant.	Faites le plein de carburant.
	La clé marche/arrêt est en position OFF (arrêt).	Placez la clé marche/arrêt en position ON (marche).
	Le starter est en position arrêt (CLOSE [fermé]).	Mettez le starter en position marche (FULL [plein], OPEN [ouvert]).
	L'amorceur n'est pas enfoncé.	Appuyez sur l'amorceur.
	Le moteur est noyé.	Patiencez quelques minutes avant de redémarrer, n'actionnez PAS l'amorceur.  Redémarrez le moteur à plein régime et avec le starter en position arrêt (CLOSE [fermé]).
	Le câble de la bougie n'est pas branché.	Branchez le câble à la bougie.
	La bougie d'allumage est défectueuse.	Remplacez la bougie.
	De l'eau est présente dans le carburant ou le carburant est trop vieux.	Videz le réservoir de carburant et le carburateur. Faites le plein de carburant.
	De la vapeur est bloquée dans la conduite de carburant.	Vérifiez que l'intégralité de la conduite de carburant est acheminée en dessous de la sortie du réservoir de carburant. La conduite de carburant doit être acheminée vers le bas, du réservoir de carburant vers le carburateur.
	Autres causes.	Étudiez attentivement les procédures de démarrage dans ce manuel.
	L'interrupteur de carburant (le cas échéant) est en position fermée (OFF/arrêt).	Mettez l'interrupteur de carburant en position ouverte (ON).
L'accélération est en position STOP (arrêt).	Positionnez l'accélération en position FAST (rapide).	

<b>Problème</b>	<b>Cause possible</b>	<b>Solution</b>
Puissance réduite	Le câble de la bougie n'est pas branché.	Branchez le câble à la bougie.
	Le produit souffle trop de neige.	Diminuez la vitesse et la largeur de la surface balayée.
	Le bouchon du réservoir de carburant est couvert de glace ou de neige.	Enlevez la glace ou la neige sur et autour du bouchon de réservoir de carburant.
	Le silencieux est sale ou bouché.	Nettoyez ou remplacez le silencieux.
	La longueur du câble n'est pas la bonne.	Ajustez le câble.
	Le silencieux est obstrué.	Assurez-vous que le moteur est froid. Dégagez l'obstruction.
	La prise d'air du carburateur est bloquée.	Assurez-vous que le moteur est froid. Dégagez l'obstruction.
Le moteur tourne au ralenti ou a des ratés	Le starter est en position marche (FULL [plein], OPEN [ouvert]).	Mettez le starter en position arrêt (CLOSE [fermé]).
	La conduite de carburant est obstruée.	Nettoyez la conduite de carburant.
	De l'eau est présente dans le carburant ou le carburant est trop vieux.	Videz le réservoir de carburant et le carburateur. Faites le plein de carburant.
	Le carburateur doit être remplacé.	Contactez un centre de service agréé.
	La courroie est tendue.	Remplacez la courroie trapézoïdale de la vis sans fin.
Vibration excessive/jeu de la poignée	Certaines pièces sont desserrées. Les vis sans fin sont endommagées.	Serrez toutes les fixations. Remplacez les pièces endommagées. Si les vibrations persistent, contactez un centre de service agréé.
	Les poignées ne sont pas correctement positionnées.	Assurez-vous que les poignées sont verrouillées en position.
	Les écrous du levier de réglage sont desserrés.	Serrez les écrous jusqu'à ce que la poignée soit sécurisée.
La poignée du lanceur est difficile à tirer	La poignée du lanceur est gelée.	Tirez doucement sur le câble pour en sortir autant que possible du démarreur et relâchez la poignée du lanceur. Si le moteur ne démarre pas, répétez la procédure ou utilisez le démarreur électrique.
	Le câble interfère avec des pièces.	Le câble du lanceur ne doit toucher aucun câble ni flexible.

Problème	Cause possible	Solution
Perte de traction/ralentissement de la vitesse d'entraînement  Absence ou ralentissement de l'éjection de la neige	La courroie glisse.	Ajustez le câble. Ajustez la courroie.
	La courroie est usée.	Vérifiez/remplacez la courroie.
	La courroie n'est plus sur la poulie.	Vérifiez/replacez la courroie.
	Le déflecteur de goulotte est colmaté.	Nettoyez le déflecteur de goulotte.
	Des corps étrangers bouchent les vis sans fin.	Retirez les débris ou le corps étranger dans les vis sans fin.
	La goupille de tonte est cassée.	Remplacez la goupille de tonte cassée.
	Accumulation excessive de neige et de glace entre les éléments des chenilles.	Éliminez la neige et la glace accumulée entre les éléments des chenilles.
	La roue d'entraînement de friction est usée.	Contactez un centre de service agréé.
Échec de rotation de la vis sans fin après avoir relâché la poignée	La courroie d'entraînement n'est pas alignée.	Réglez la courroie d'entraînement.
	Le déflecteur d'éjection n'est pas aligné.	Ajustez le déflecteur d'éjection.
L'éclairage n'est pas allumé (selon l'équipement)	Le moteur ne tourne pas.	Démarrez le moteur.
	Des câbles sont desserrés.	Vérifiez les branchements des câbles au niveau du moteur et de l'éclairage.
	La LED est grillée.	Remplacez le module de témoins LED. Les LED individuelles ne peuvent pas être remplacées.
Le rotateur de la goulotte est difficile à déplacer.	Des débris sont présents dans le mécanisme de rotation de la goulotte.	Nettoyez les composants internes du mécanisme de rotation de la goulotte.
	Les câbles sont entortillés ou endommagés.	Assurez-vous que les câbles ne sont pas entortillés. Remplacez les câbles endommagés.
Le produit se déporte d'un côté.	La pression des pneus est inégale.	Réglez la pression des pneus et gonflez le pneu.
	Le produit n'est entraîné que par une seule roue.	Inspectez la goupille de blocage des pneus.
	Réglage du glissement irrégulier.	Réglez les plaques de protection et le traîneau.
	Réglage des plaques de protection irrégulières.	Réglez les plaques de protection et le traîneau.

## Transport, entreposage et mise au rebut

### Transport et stockage

- Pour le stocker et transporter le produit et le carburant, assurez-vous qu'il n'y a pas de fuite ou de vapeurs. Les étincelles ou les flammes nues

produites par exemple par des appareils électriques ou chaudières peuvent provoquer un incendie.

- Utilisez uniquement des récipients homologués pour le transport et le stockage de carburant.

- Videz le réservoir de carburant avant de remiser le produit pendant une longue période.
- Si la cuve à carburant du carburateur est dotée d'un bouchon de vidange, videz le carburant du carburateur avant de remiser le produit pendant une longue période.
- Sécurisez le produit lors de son transport pour éviter tout dommage ou accident.
- Conservez le produit dans un endroit verrouillé afin que des enfants ou personnes qui ne sont pas autorisées à l'utiliser ne puissent pas y avoir accès.
- Conservez le produit dans un endroit sec et à l'abri du gel.

## Mise au rebut

- Respectez les consignes locales et les réglementations applicables.
- Mettez au rebut tous les produits chimiques tels que l'huile moteur ou le carburant dans un centre d'entretien ou dans une déchetterie appropriée.
- Mettez le produit au rebut dans un endroit approuvé ou envoyez-le à Husqvarna afin qu'il soit mis au rebut.

---

## Caractéristiques techniques

---

### Caractéristiques techniques

	ST 124
<b>Dimensions</b>	
Poids, avec réservoirs vides, kg	76
Pression de fonctionnement des pneus maximale, PSI	20
Hauteur d'admission, cm	53,3
Largeur de travail, cm	61
<b>Moteur</b>	
Marque	Husqvarna
Puissance nominale du moteur, kW	4,3
Cylindrée, cm <sup>3</sup>	212
Type de carburant	Ordinaire sans plomb (10 % d'éthanol maximum)
Contenance du réservoir de carburant, gal/l	0,58 / 2,2
Type d'huile (API SJ-SN)	SAE 5W30 (en dessous de 0 °C (32 °F))
Contenance du réservoir d'huile, fl.oz./l	20 / 0,6
<b>Système électrique</b>	
Bougie	F7RTC
Bougie, écartement des électrodes (po / mm)	0,027–0,031 / 0,7–0,8
<b>Émissions sonores</b> <sup>58</sup>	
Niveau de puissance sonore mesuré dB (A)	100
Niveau de puissance sonore, garanti L <sub>WA</sub> dB(A)	102

<sup>58</sup> Émissions sonores dans l'environnement mesurées comme puissance sonore (L<sub>WA</sub>) selon les directives européennes 2000/14/CE et 2005/88/CE. Les données reportées pour le niveau d'émissions sonores montrent une dispersion statistique type (déviation standard) de 1,5 dB(A). Incertitude=1,5 dB(A)

	<b>ST 124</b>
<b>Niveaux sonores<sup>59</sup></b>	
Niveau de pression sonore à l'oreille des opérateurs, $L_{PA}$ mesuré dB(A)	86
<b>Niveaux de vibration, <math>a_{hveq}</math><sup>60</sup></b>	
Niveau de vibrations sur la poignée, gauche / droite	4,15 / 4,08

<sup>59</sup> niveau de pression sonore conformément à la norme EN ISO 11201. Les données reportées pour le niveau de pression sonore montrent une dispersion statistique type (déviatoin standard) de 1,5 dB(A). Incertitude=1,5 dB(A)

<sup>60</sup> Niveau de vibrations selon la norme ISO 8437-4, Annexe B. Incertitude=1,5 m/s<sup>2</sup>

# Déclaration de conformité CE

## CONTENU DE LA DÉCLARATION DE CONFORMITÉ DE LA CE

Nous, Husqvarna, SE-561 82 Huskvarna, SUÈDE, déclarons sous notre responsabilité exclusive que le produit représenté :

Description	Fraise à neige
Marque	Husqvarna
Plate-forme / Type / Modèle	ST 124
Lot	Numéro de série à partir de 2020

est entièrement conforme à la réglementation et aux directives de l'UE suivantes :

Directive/Réglementation	Description
2006/42/EC	« relative aux machines »
2014/30/UE	« relative à la compatibilité électromagnétique »
2000/14/CE ; 2005/88/CE	« relative au bruit extérieur »
2011/65/UE	« relative à la limitation de l'utilisation de certaines substances dangereuses »

Les normes harmonisées et/ou les spécifications techniques appliquées sont comme suit : EN ISO 12100:2010, EN ISO 14982:2009, ISO 8437-1:2019, ISO 8437-2:2019, ISO 8437-4:2019, ISO 3744:1995, EN 1032:2003+A1:2008, EN 50581:2012

Conformément à la directive 2000/14/CE+2005/88/CE, Annexe V, les valeurs sonores déclarées sont stipulées dans la section Données techniques de ce manuel et dans la Déclaration de conformité de la CE signée.

La fraise à neige fournie correspond aux exemplaires soumis au contrôle de conformité communautaire européen.

Pour le compte de Husqvarna AB, SE-561 82 Huskvarna, SUÈDE, 07/02/2020



Claes Losdal

Personne responsable de la compilation des dossiers techniques établie dans l'Union européenne

---

# Inhalt

---

Einleitung.....	167	Fehlerbehebung.....	179
Sicherheit.....	168	Transport, Lagerung und Entsorgung.....	182
Montage.....	173	Technische Daten.....	182
Betrieb.....	174	EU-Konformitätserklärung.....	184
Wartung.....	176		

---

## Einleitung

---

### Geräteübersicht

(Abb. 1)

1. Schneckenaktivierung
2. Steuerhebel Antriebsgeschwindigkeit
3. Bedientafel
4. Schneckenkabel
5. Steuerung des Auswurfsammlerrotators
6. Leitblech Auswurfsammler
7. Reinigungswerkzeug
8. Schneckengehäuse
9. Schnecken
10. Gleitplatte
11. Reifen
12. Öleinfüllstutzen
13. Motor
14. Unterer Griff
15. Steuerstange für die Antriebsdrehzahl
16. Antriebszug
17. Startergriff
18. Antriebsaktivierung
19. Handgriffe
20. Primerpumpe
21. Choke
22. Kraftstoffschalter
23. Ein-/Aus-Schlüssel
24. Bedienungsanleitung

### Produktbeschreibung

Bei dem Produkt handelt es sich um eine Schneefräse, die zum Räumen von Schnee eingesetzt wird.

### Verwendungszweck

Dieses Gerät lässt sich verwenden, um Schnee von Feldern, Straßen, Gehwegen und aus Einfahrten zu entfernen. Verwenden Sie die Schneefräse nicht auf Hängen mit mehr als 15° Neigung. Verwenden Sie das Gerät nicht in stark durch Schutt und Schmutz verunreinigten Bereichen und nicht in Bereichen, in denen Steine aus der Oberfläche hervorragen.

### Symbols on the product

---

**Hinweis:** If the decals on the product are damaged, contact the distributor to replace them.

---

(Abb. 2) Warning.

(Abb. 3) Read the operator's manual.

(Abb. 4)

(Abb. 5) Hot surface.

(Abb. 6) Risk of fire.

(Abb. 7) Choke.

(Abb. 8) Pull starter rope handle.

(Abb. 9) Do not breathe in the exhaust fumes from the engine.

(Abb. 10) Do not put any part of the body into the chute deflector or the auger housing when the augers rotate.

(Abb. 11) Stop the engine before you remove snow from the chute deflector. Use the clean-out tool to remove snow, do not do it by hand.

(Abb. 12)

(Abb. 11) Keep hands away from the chute deflector.

(Abb. 13) Objects can be ejected from the product.

(Abb. 14) Keep bystanders away from the product when operating.

(Abb. 15) Remove key before maintenance.

(Abb. 16) Push in the on/off key to the RUN position.

(Abb. 17) Turn the fuel switch to the ON position.

(Abb. 18) Push the primer.

(Abb. 19) Risk of falling.

- (Abb. 20) Move slowly rearward.
- (Abb. 21) Use approved protective gloves.
- (Abb. 22) Use a protective helmet. Use approved hearing protection. Use approved eye protection.
- (Abb. 23) Noise emissions to the environment according to European Directive 2000/14/EC and New South Wales legislation "Protection of the Environment Operations (Noise Control) Regulation 2017". Noise emission data can be found on the machine label and in the Technical data chapter.
- (Abb. 24) European machinery directive for safety.

**Hinweis:** Other symbols/decals on the product refer to certification requirements for some markets.

## Emissionen nach Euro V



**WARNUNG:** Bei jeglichen Manipulationen des Motors erlischt die EU-Typgenehmigung für dieses Produkt.

## Sicherheit

### Sicherheitsdefinitionen

Die nachstehenden Definitionen geben den Schweregrad für jedes Signalwort an.



**WARNUNG:** Personenschäden.



**ACHTUNG:** Schäden am Gerät.

**Hinweis:** Diese Informationen erleichtern die Verwendung des Geräts.

### Sichere Betriebsverfahren für fußgängergesteuerte Schneefräsen

#### Allgemeines

Dieses Gerät kann Hände oder Füße abtrennen und Gegenstände durch die Luft schleudern. Beachten Sie daher unbedingt die folgenden Sicherheitshinweise. Andernfalls besteht die Gefahr schwerer Verletzungen.

#### Schulung

- Lesen Sie vor Inbetriebnahme des Geräts alle Informationen in der Bedienungsanleitung, vergewissern Sie sich, dass Sie alles verstanden haben, und befolgen Sie sämtliche Anweisungen. Machen Sie sich gründlich mit den Bedienelementen

### Hersteller

Husqvarna AB

Drottninggatan 2, SE-561 82 Huskvarna

### Produkthaftung

Im Sinne der Produkthaftungsgesetze übernehmen wir keine Haftung für Schäden, die unser Gerät verursacht, wenn...

- das Gerät nicht ordnungsgemäß repariert wird.
- das Gerät mit Teilen repariert wird, die nicht vom Hersteller stammen oder nicht vom Hersteller zugelassen sind.
- ein Zubehörteil mit dem Gerät verwendet wird, das nicht vom Hersteller stammt oder nicht vom Hersteller zugelassen ist.
- das Gerät nicht bei einem zugelassenen Service Center oder von einem zugelassenen Fachmann repariert wird.

und dem vorschriftsgemäßen Gebrauch des Geräts vertraut. Informieren Sie sich, wie Sie das Gerät umgehend stoppen und die Bedienelemente deaktivieren können.

- Lassen Sie niemals Kinder das Gerät bedienen. Lassen Sie das Gerät nur von Erwachsenen bedienen, und zwar immer nur nach sachkundiger Anleitung.
- Achten Sie darauf, dass sich keine Menschen (insbesondere keine kleinen Kinder) und keine Tiere im Arbeitsbereich aufhalten.
- Achten Sie darauf, nicht auszurutschen oder zu fallen, insbesondere wenn die Schneefräse im Rückwärtsgang läuft.

#### Vorbereitung

- Inspizieren Sie sorgfältig das Gelände, in dem das Gerät eingesetzt werden soll, und entfernen Sie alle losen Gegenstände wie Fußabtreter, Schlitten, Bretter, Kabel und sonstige Gegenstände.
- Kuppeln Sie alle Kupplungen aus und schalten Sie die Schneefräse in den Leerlauf, bevor Sie den Motor starten.
- Bedienen Sie das Gerät nur in geeigneter Winterbekleidung. Tragen Sie keine zu locker sitzende Kleidung, die sich in beweglichen Teilen des Geräts verfangen könnte. Tragen Sie Schuhe, die Ihnen auf rutschigen Flächen sicheren Halt geben.
- Tragen Sie beim Betrieb, beim Einstellen oder bei einer Reparatur des Geräts immer eine Schutzbrille oder einen anderen Augenschutz, um die Augen zu



- schützen, falls Gegenstände vom Gerät durch die Luft geschleudert werden.
- Gehen Sie mit Kraftstoff vorsichtig um. Kraftstoff ist leicht entflammbar.
    - Verwenden Sie einen geprüften Benzinkanister.
    - Füllen Sie niemals Kraftstoff nach, während der Motor läuft oder stark erhitzt ist.
    - Befüllen Sie den Kraftstofftank nur im Freien und stets mit äußerster Vorsicht. Befüllen Sie den Kraftstofftank nie in geschlossenen Räumen.
    - Füllen Sie Benzinkanister nie in einem Fahrzeug oder auf der Ladefläche eines Transporters oder LKWs mit Kunststoffverkleidung. Füllen Sie Benzinkanister grundsätzlich auf dem Boden und in ausreichend Abstand zu Fahrzeugen.
    - Tanken Sie benzinbetriebene Geräte, wenn möglich, auf dem Boden und in ausreichend Abstand von Fahrzeugen auf. Wenn das nicht möglich ist, tanken Sie benzinbetriebene Geräte auf der Ladefläche auf, und zwar aus einem transportablen Kanister, nicht direkt aus der Zapfsäule.
    - Der Zapfhahn muss die Einfüllöffnung des Kraftstofftanks bzw. Benzinkanisters während des Tankens ständig berühren. Verwenden Sie keine Vorrichtung zum dauerhaften Offenhalten des Zapfhahns.
    - Schrauben Sie den Tank bzw. Kanister sorgsam zu und wischen Sie verschütteten Kraftstoff auf.
    - Gerät Kraftstoff auf die Kleidung, wechseln Sie diese sofort.
  - Verwenden Sie bei Geräten mit Elektrostartmotoren die vom Hersteller angegebenen Verlängerungskabel und Steckdosen.
  - Verstellen Sie die Höhe des Aufsammlergehäuses entsprechend der zu räumenden Kies- oder Schotterflächen.
  - Nehmen Sie nie bei laufendem Motor Einstellungen irgendwelcher Art vor, es sei denn, dies ist vom Hersteller ausdrücklich so angegeben.

## **Betrieb**

- Halten Sie Hände und Füße von rotierenden Geräteteilen fern und achten Sie darauf, dass Hände oder Füße nicht unter rotierende Geräteteile geraten. Halten Sie sich stets von der Auswurföffnung fern.
- Äußerste Vorsicht ist angebracht, wenn Sie das Gerät auf bekiesten Flächen einsetzen oder solche Flächen damit überqueren. Achten Sie auf versteckte Gefahren und seien Sie vorsichtig beim Betrieb in der Nähe öffentlicher Straßen.
- Wenn die Schneefräse auf einen Fremdkörper trifft, stoppen Sie den Motor, entfernen Sie das Zündkabel von der Zündkerze, lösen Sie bei Elektromotoren das Netzkabel, untersuchen Sie die Schneefräse sorgfältig auf Beschädigungen und beheben Sie eventuelle Beschädigungen, bevor Sie das Gerät wieder in Betrieb nehmen.

- Falls das Gerät außergewöhnlich stark zu vibrieren beginnt, stoppen Sie den Motor und prüfen Sie sofort die Ursache der Vibrationen. Vibration weist meist auf einen Fehler hin.
- Stoppen Sie den Motor, wenn Sie die Arbeit mit dem Gerät unterbrechen (also die Arbeitsposition verlassen), bevor Sie das Aufsammler-/Lüfterradgehäuse oder den Auswurfsammler entleeren und bevor Sie Reparaturen, Einstellungen oder Kontrollen vornehmen.
- Betreiben Sie den Motor nicht in geschlossenen Räumen, außer, wenn der Motor angelassen wird und zum Transportieren der Schneefräse in ein Gebäude hinein bzw. aus einem Gebäude heraus. Öffnen Sie die Außentüren; Abgase sind gefährlich.
- Bei Arbeiten auf abschüssigem Gelände ist äußerste Vorsicht geboten.
- Benutzen Sie das Gerät nur, wenn alle vorgeschriebenen Sicherheits- und Schutzvorrichtungen vorhanden und in Betrieb sind.
- Richten Sie die Schneefräse so aus, dass der ausgeworfene Schnee keine Personen treffen und keine Sachschäden verursachen kann. Halten Sie Kinder und andere Personen fern.
- Überlasten Sie das Gerät nicht, indem Sie versuchen, den Schnee zu schnell zu räumen.
- Lassen Sie das Gerät auf rutschigen Flächen nie in hoher Transportgeschwindigkeit laufen. Wenn Sie das Gerät im Rückwärtsgang bedienen, gehen Sie vorsichtig vor und achten Sie auf den Bereich hinter sich.
- Schalten Sie die Stromzufuhr zu den Aufsammler/Lüfterrad ab, wenn die Schneefräse transportiert wird oder nicht in Gebrauch ist.
- Verwenden Sie nur Zusatzgeräte und Zubehör, das vom Gerätehersteller zugelassen ist (z. B. Radgewichte, Gegengewichte oder Bedienerkabinen).
- Arbeiten Sie nie mit dem Gerät, wenn schlechte Sicht- und Lichtverhältnisse vorherrschen. Achten Sie darauf, nicht auszurutschen, und halten Sie die Schneefräse am Griff gut fest. Gehen Sie langsam, rennen Sie nicht.
- Berühren Sie Motor und Schalldämpfer nicht, solange diese Geräteteile heiß sind.

## **Entleeren eines verstopften Auswurfsammlers**

- Die häufigste Unfallursache im Zusammenhang mit Schneefräsen ist die Berührung der Förderschneckenflügel im Auswurfsammler mit der Hand. Versuchen Sie auf keinen Fall, einen verstopften Auswurfsammler von Hand zu entleeren.
- So entleeren Sie den Auswurfsammler:
  1. SCHALTEN SIE DEN MOTOR AUS!
  2. Warten Sie 10 Sekunden und vergewissern Sie sich, dass die Förderschneckenflügel zum Stillstand gekommen sind.
  3. Verwenden Sie immer ein Reinigungswerkzeug, nicht Ihre Hände.

## Wartung und Lagerung

- Kontrollieren Sie regelmäßig, dass die Abscherbolzen und andere Schrauben fest angezogen sind und so einen sicheren Gerätebetrieb gewährleisten.
- Lagern Sie die Maschine niemals mit Kraftstoff im Kraftstofftank in einem Gebäude, in dem Zündquellen vorhanden sind, wie z. B. Warmwasserbereiter, Raumheizgeräte oder Wäschetrockner. Lassen Sie den Motor abkühlen, bevor die Maschine in einem geschlossenen Raum aufbewahrt wird.
- Wenn die Schneefräse über einen längeren Zeitraum gelagert werden soll, lesen Sie immer diesbezügliche wichtige Details in der Bedienungsanleitung nach.
- Achten Sie auf den guten Zustand der Sicherheitsetiketten oder ersetzen Sie diese bei Bedarf.
- Lassen Sie die Maschine nach dem Schneeräumen einige Minuten laufen, um ein Einfrieren des Aufsammlers/Schneckenrads zu verhindern.
- Stoppen Sie vor dem Reinigen, Reparieren oder Überprüfen der Schneefräse den Motor und vergewissern Sie sich, dass der Aufsammler/das Schneckenrad und alle anderen beweglichen Teile zum Stillstand gekommen sind. Ziehen Sie das Zündkabel ab und halten Sie es von der Zündkerze fern, sodass ein unbeabsichtigtes Starten des Motors durch Dritte ausgeschlossen ist.

## Allgemeine Sicherheitshinweise

- Verwenden Sie das Gerät ordnungsgemäß. Eine falsche Verwendung kann zu schweren bis tödlichen Verletzungen führen. Verwenden Sie das Gerät nur für die in dieser Betriebsanleitung aufgeführten Arbeiten. Verwenden Sie das Gerät nicht für andere Aufgaben.
- Beachten Sie die Anweisungen in dieser Bedienungsanleitung. Beachten Sie die Symbole und die Sicherheitshinweise. Die Nichtbeachtung der Anweisungen und Symbole kann zu Verletzungen oder zum Tod führen.
- Werfen Sie diese Bedienungsanleitung nicht weg. Verwenden Sie die Anweisungen für das Zusammensetzen und den Betrieb, und halten Sie Ihr Gerät in gutem Zustand. Befolgen Sie die Anweisungen für die korrekte Installation von Anbaugeräten und Zubehörteilen. Verwenden Sie ausschließlich zugelassene Anbaugeräte und Zubehörteile.
- Verwenden Sie das Gerät nicht, wenn es beschädigt ist. Halten Sie sich an den Wartungsplan. Führen Sie nur diejenigen Wartungsarbeiten aus, die Sie in den Anweisungen in dieser Bedienungsanleitung finden. Alle sonstigen Wartungsarbeiten müssen von einer autorisierten Servicewerkstatt durchgeführt werden.
- Diese Bedienungsanleitung kann nicht alle Situationen abdecken, die bei der Verwendung des

Geräts auftreten können. Seien Sie immer vorsichtig und arbeiten Sie mit gesundem Menschenverstand. Führen Sie keine Arbeiten mit oder Wartungen am Gerät durch, wenn Sie sich in einer Situation unsicher sind. Wenden Sie sich an einen Produktfachmann, Ihren Fachhändler, Ihren Service Vertreter oder das autorisierte Service Center für weitere Informationen.

- Ziehen Sie den Zündkerzenstecker ab, bevor Sie das Gerät zusammenbauen, einlagern oder warten.
- Verwenden Sie das Gerät nicht, wenn es nicht mehr der ursprünglichen Spezifikation entspricht. Ändern Sie kein Teil des Geräts ohne Genehmigung des Herstellers. Verwenden Sie nur Teile, die vom Hersteller genehmigt wurden. Eine falsche Wartung kann zu schweren bis tödlichen Verletzungen führen.
- Atmen Sie die Abgase des Motors nicht ein. Das Einatmen der Motorabgase über längere Zeit kann eine Gefahr für die Gesundheit darstellen.
- Das Gerät sollte nicht im Innenbereich oder in der Nähe von feuergefährlichen Stoffen gestartet werden. Die Abgase sind heiß und können Funken erzeugen, die einen Brand verursachen können. Eine mangelhafte Luftzirkulation kann zu schweren oder tödlichen Verletzungen durch Ersticken oder eine Kohlenmonoxidvergiftung führen.
- Wenn Sie das Gerät nutzen, erzeugt der Motor ein elektromagnetisches Feld. Das elektromagnetische Feld kann medizinische Implantate beschädigen. Sprechen Sie vor der Inbetriebnahme des Geräts mit Ihrem Arzt und dem Hersteller des medizinischen Implantats.
- Lassen Sie nicht zu, dass Kinder das Gerät verwenden. Erlauben Sie nicht, dass Personen ohne Kenntnis der Anweisungen das Gerät bedienen.
- Stellen Sie sicher, dass Personen mit verminderter physischer oder psychischer Leistungsfähigkeit dieses Gerät nicht unbeobachtet verwenden. Es muss immer ein verantwortlicher Erwachsener anwesend sein.
- Verschließen Sie das Gerät in einem Bereich, zum dem Kinder und nicht autorisierte Personen keinen Zugang haben.
- Das Gerät kann Objekte auswerfen und Verletzungen verursachen. Beachten Sie die Sicherheitshinweise, um das Risiko von Verletzungen oder Tod zu verringern.
- Entfernen Sie sich nicht vom Gerät, wenn der Motor eingeschaltet ist.
- Der Bediener des Geräts trägt bei einem Unfall die Verantwortung.
- Schauen Sie vor dem und während des Rückwärtslaufens nach hinten und nach unten, ob kleine Kinder, Tiere oder andere Gefahren im Weg sind, wegen derer Sie stürzen könnten.
- Überprüfen Sie vor dem Gebrauch das Gerät auf schadhafte Teile.
- Achten Sie vor dem Gebrauch des Geräts darauf, einen Mindestabstand von 15 m von anderen

Personen oder von Tieren einzuhalten. Stellen Sie sicher, dass eine Person in einem angrenzenden Bereich weiß, dass Sie das Gerät benutzen.

- Halten Sie sich an nationale und lokale gesetzliche Bestimmungen. Diese können den Betrieb des Geräts unter bestimmten Bedingungen verhindern oder einschränken.

## Schulung

- Lesen Sie vor Inbetriebnahme des Geräts alle Informationen in der Bedienungsanleitung, vergewissern Sie sich, dass Sie alles verstanden haben, und befolgen Sie sämtliche Anweisungen. Machen Sie sich gründlich mit den Bedienelementen und dem vorschriftsmäßigen Gebrauch des Geräts vertraut. Informieren Sie sich, wie Sie das Gerät umgehend stoppen und die Bedienelemente deaktivieren können.
- Lassen Sie das Gerät nicht von Kindern bedienen. Lassen Sie das Gerät nur von Erwachsenen bedienen, und zwar immer nur nach sachkundiger Anleitung.
- Achten Sie darauf, dass sich keine Menschen (insbesondere keine kleinen Kinder) und keine Tiere im Arbeitsbereich aufhalten.
- Achten Sie darauf, nicht auszurutschen oder zu fallen, insbesondere wenn die Schneefräse im Rückwärtsgang läuft.

## Sicherheitshinweise für den Betrieb

- Halten Sie Hände und Füße von rotierenden Geräteteilen fern und achten Sie darauf, dass Hände oder Füße nicht unter rotierende Geräteteile geraten. Halten Sie sich stets von der Auswurföffnung fern.
- Äußerste Vorsicht ist angebracht, wenn Sie das Gerät auf bekiesten Flächen einsetzen oder solche Flächen damit überqueren. Achten Sie auf versteckte Gefahrenquellen und auf den Verkehr.
- Wenn die Schneefräse auf einen Fremdkörper trifft, stoppen Sie den Motor, entfernen Sie das Zündkabel von der Zündkerze, lösen Sie bei Elektromotoren das Netzkabel, untersuchen Sie das Gerät sorgfältig auf Beschädigungen und beheben Sie eventuelle Beschädigungen, bevor Sie das Gerät wieder in Betrieb nehmen.
- Falls das Gerät außergewöhnlich stark vibriert, stoppen Sie den Motor und prüfen Sie sofort die Ursache der Vibration. Vibration weist meist auf einen Fehler hin.
- Stoppen Sie den Motor, wenn Sie die Arbeit mit dem Gerät unterbrechen (also die Arbeitsposition verlassen), bevor Sie Verstopfungen an der Schnecke oder am Leitblech der Auswurfschütte beseitigen und immer dann, wenn Sie Reparaturen, Einstellungen oder Überprüfungen vornehmen.
- Stoppen Sie vor dem Reinigen, Reparieren oder Überprüfen des Geräts den Motor und vergewissern Sie sich, dass die Schnecken und alle beweglichen Teile zum Stillstand gekommen sind. Ziehen Sie das

Zündkabel ab und halten Sie es von der Zündkerze fern, sodass ein unbeabsichtigtes Starten des Motors durch Dritte ausgeschlossen ist.

- Betreiben Sie den Motor nicht in geschlossenen Räumen, außer, wenn der Motor angelassen wird und zum Transportieren des Geräts in ein Gebäude hinein bzw. aus einem Gebäude heraus. Öffnen Sie die Außentüren; Abgase sind gefährlich.
- Bei Arbeiten auf abschüssigem Gelände ist äußerste Vorsicht geboten.
- Benutzen Sie das Produkt nur, wenn alle vorgeschriebenen Sicherheits- und Schutzvorrichtungen vorhanden und in Betrieb sind.
- Richten Sie das Leitblech der Auswurfschütte so aus, dass der ausgeworfene Schnee keine Personen treffen und keine Sachschäden verursachen kann. Halten Sie Kinder und andere Personen fern.
- Überlasten Sie das Gerät nicht, indem Sie versuchen, den Schnee zu schnell zu räumen.
- Lassen Sie das Gerät auf rutschigen Flächen nie in hoher Transportgeschwindigkeit laufen. Wenn Sie das Gerät im Rückwärtsgang bedienen, gehen Sie vorsichtig vor und achten Sie auf den Bereich hinter sich.
- Schalten Sie die Stromzufuhr zu den Schnecken ab, wenn die Schneefräse transportiert wird oder nicht in Gebrauch ist.
- Verwenden Sie nur Zusatzgeräte und Zubehör, das vom Produkthersteller zugelassen ist (z. B. Radgewichte, Gegengewichte oder Bedienerkabinen).
- Arbeiten Sie nie mit dem Gerät, wenn schlechte Sicht- und Lichtverhältnisse vorherrschen. Achten Sie darauf, nicht auszurutschen, und halten Sie die Schneefräse am Griff gut fest. Gehen Sie langsam, rennen Sie nicht.
- Berühren Sie Motor und Schalldämpfer nicht, solange diese Geräteteile heiß sind.

## Sicherheit im Arbeitsbereich

- Inspizieren Sie sorgfältig das Gelände, in dem das Gerät eingesetzt werden soll, und entfernen Sie alle losen Gegenstände wie Fußabtreter, Schlitten, Ski, Kabel und Sonstiges.
- Kuppeln Sie alle Kupplungen aus und schalten Sie die Schneefräse in den Leerlauf, bevor Sie den Motor starten.
- Bedienen Sie das Gerät nur in geeigneter Winterbekleidung. Tragen Sie keine zu locker sitzende Kleidung, die sich in beweglichen Teilen des Geräts verfangen könnte. Tragen Sie Schuhe, die Ihnen auf rutschigen Flächen sicheren Halt geben.
- Gehen Sie mit Kraftstoff vorsichtig um. Kraftstoff ist leicht entflammbar.
  - Verwenden Sie einen geprüften Benzinkanister.
  - Füllen Sie nie Kraftstoff nach, während der Motor läuft oder stark erhitzt ist.

- Füllen Sie den Kraftstofftank nur im Freien nach und gehen Sie dabei mit großer Umsicht vor. Füllen Sie den Kraftstofftank nie in geschlossenen Räumen.
- Füllen Sie Benzinkanister nie in einem Fahrzeug oder auf der Ladefläche eines Transporters oder LKWs mit Kunststoffverkleidung. Füllen Sie Benzinkanister grundsätzlich auf dem Boden und in ausreichend Abstand zu Fahrzeugen.
- Tanken Sie benzinbetriebene Geräte, wenn möglich, auf dem Boden und in ausreichend Abstand von Fahrzeugen auf. Wenn das nicht möglich ist, tanken Sie benzinbetriebene Geräte auf der Ladefläche auf, und zwar aus einem transportablen Kanister, nicht direkt aus der Zapfsäule.
- Der Zapfhahn muss die Einfüllöffnung des Kraftstofftanks bzw. Benzinkanisters während des Tankens ständig berühren. Verwenden Sie keine Vorrichtung zum dauerhaften Offenhalten des Zapfhahns.
- Schrauben Sie den Tank bzw. Kanister sorgsam zu und wischen Sie verschütteten Kraftstoff weg.
- Gerät Kraftstoff auf die Kleidung, wechseln Sie diese sofort.
- Verwenden Sie bei Geräten mit Elektroantriebsmotoren oder Elektrostartmotoren die vom Hersteller angegebenen Verlängerungskabel und Steckdosen.
- Verstellen Sie die Höhe des Schneckengehäuses entsprechend der zu beräumenden Kies- oder Schotterflächen.
- Versuchen Sie nie bei laufendem Motor Einstellungen irgendwelcher Art vorzunehmen, es sei denn, dies wird vom Hersteller ausdrücklich so empfohlen.
- Tragen Sie beim Betrieb, beim Einstellen oder bei einer Reparatur des Geräts immer eine Schutzbrille oder einen anderen Augenschutz, um die Augen zu schützen, falls Gegenstände vom Gerät durch die Luft geschleudert werden.

## Persönliche Schutzausrüstung

Verwenden Sie beim Arbeiten mit dem Gerät stets die geeignete persönliche Schutzausrüstung. Dazu gehören mindestens festes Schuhwerk, Schutzbrille und Gehörschutz. Die persönliche Schutzausrüstung beseitigt die Verletzungsgefahr nicht, kann aber bei einem Unfall den Verletzungsgrad mindern.

- Tragen Sie immer eine Schutzbrille oder einen anderen Augenschutz, wenn Sie das Gerät bedienen oder wenn Sie Wartungs- und Reparaturarbeiten durchführen.
- Tragen Sie stets geeignete Winterbekleidung, wenn Sie das Gerät bedienen.
- Tragen Sie stets robuste Stiefel mit rutschhemmender Sohle, die guten Halt bis über die Knöchel bieten, wenn Sie das Produkt bedienen.

- Tragen Sie keine locker sitzende Kleidung, die sich in beweglichen Teilen verfangen könnte.
- Tragen Sie gegebenenfalls zugelassene Schutzhandschuhe. Zum Beispiel beim Einbauen, Überprüfen oder Reinigen der Schneckenflügel.
- Tragen Sie immer einen zugelassenen Gehörschutz beim Arbeiten mit dem Gerät. Lärmbelastung über einen längeren Zeitraum kann zu lärmbedingten Hörschäden führen.

## Sicherheitsvorrichtungen am Gerät

- Achten Sie darauf, das Gerät regelmäßig zu warten.
  - Dies erhöht die Lebensdauer des Geräts.
  - Die Gefahr von Unfällen sinkt.

Lassen Sie einen Vertragshändler oder ein autorisiertes Service Center das Gerät regelmäßig überprüfen, um Einstellungen oder Reparaturen vorzunehmen.

- Benutzen Sie kein Gerät mit defekten Schutzvorrichtungen. Wenn das Gerät beschädigt ist, wenden Sie sich an ein autorisiertes Service Center.

## Schalldämpfer

Der Schalldämpfer senkt den Geräuschpegel so weit wie möglich und hält die Abgase des Motors vom Anwender fern.

Verwenden Sie das Gerät nicht, wenn der Schalldämpfer fehlt oder defekt ist. Ein defekter Schalldämpfer erhöht den Geräuschpegel und die Brandgefahr.



**WARNUNG:** Der Schalldämpfer wird während und nach Gebrauch und wenn der Motor im Leerlauf läuft, sehr heiß. Seien Sie in der Nähe von entzündlichen Materialien und/oder Dämpfen besonders vorsichtig, um Brandgefahr zu verhindern.

## Sicherer Umgang mit Kraftstoff



**WARNUNG:** Lesen Sie die folgenden Warnhinweise, bevor Sie das Gerät benutzen.

- Starten Sie das Gerät nicht, wenn sich Kraftstoff oder Öl darauf befindet. Entfernen Sie den unerwünschten Kraftstoff bzw. das Öl und lassen Sie das Gerät trocknen.
- Wechseln Sie sofort die Kleidung, wenn Sie Kraftstoff darauf verschütten.
- Lassen Sie keinen Kraftstoff auf Ihren Körper gelangen, denn dies kann zu Verletzungen führen. Wenn Kraftstoff auf Ihre Haut gelangt, waschen Sie diesen mit Wasser und Seife ab.
- Starten Sie das Gerät nicht, wenn der Motor undicht ist. Überprüfen Sie den Motor regelmäßig auf Undichtigkeiten.

- Gehen Sie vorsichtig mit Kraftstoff um. Kraftstoff ist feuergefährlich, und die Dämpfe sind explosiv und können zu Verletzungen oder sogar zum Tod führen.
- Atmen Sie die Kraftstoffdämpfe nicht ein, denn sie sind gesundheitsschädigend. Achten Sie auf ausreichende Belüftung.
- Rauchen Sie nicht in der Nähe des Kraftstoffs oder des Motors.
- Stellen Sie keine heißen Gegenstände in der Nähe des Kraftstoffs oder Motors ab.
- Füllen Sie keinen Kraftstoff nach, während der Motor läuft.
- Vergewissern Sie sich, dass der Motor abgekühlt ist, bevor Sie Kraftstoff nachfüllen.
- Öffnen Sie vor dem Nachfüllen den Tankdeckel langsam und lassen Sie den Druck vorsichtig entweichen.
- Füllen Sie keinen Kraftstoff in den Motor, wenn Sie sich in einem Innenraum befinden. Eine mangelhafte Luftzirkulation kann zu schweren oder tödlichen Verletzungen durch Erstickten oder eine Kohlenmonoxidvergiftung führen.
- Schrauben Sie den Kraftstofftankdeckel fest zu. Wenn der Tankverschluss nicht fest zugeschraubt ist, besteht Feuergefahr.
- Bewegen Sie das Produkt vor dem Starten mindestens 3 m von der Stelle fort, an der Sie den Tank befüllt hatten.
- Füllen Sie den Kraftstofftank nicht vollständig auf. Durch Hitze dehnt sich der Kraftstoff aus. Lassen Sie deshalb einen Freiraum im oberen Bereich des Kraftstofftanks.

## Warnung vor Chemikalien



**WARNUNG:** Die Motorabgase dieses Geräts enthalten Chemikalien, die im US-Bundesstaat Kalifornien als Verursacher von Krebs, Geburtsfehlern oder anderen

## Montage



**WARNUNG:** Lesen Sie vor der Montage des Geräts das Kapitel über Sicherheit, und machen Sie sich damit vertraut.

### So montieren Sie die Handgriffe

1. Entfernen Sie die 4 M8x25-Flanschschrauben (A) aus dem Gehäuse.
2. Verwenden Sie die 4 Flanschschrauben M8x25 (A), die 4 Federabstandhalter (B) und die 4 flachen Abstandhalter (C).
3. Setzen Sie den unteren Griff (D) in die 2 Löcher auf jeder Seite des Gehäuses ein. (Abb. 25)
4. Verwenden Sie die 3 M8x50-Arretierbolzen (A), die 3 Abstandhalter (B), die 3 Griffknöpfe (C) und die 3 Sicherungsmuttern (D).

Fortpflanzungsschäden gelten. Weitere Informationen finden Sie unter [www.P65Warnings.ca.gov](http://www.P65Warnings.ca.gov).

## Sicherheitshinweise für die Wartung



**WARNUNG:** Lesen Sie die folgenden Warnhinweise, bevor Sie das Gerät benutzen.

- Die Abgase des Motors enthalten Kohlenmonoxid, ein geruchloses, giftiges und sehr gefährliches Gas. Starten Sie den Motor nicht in Innenräumen oder in geschlossenen Räumen.
- Bevor Sie an dem Produkt eine Wartung durchführen, schalten Sie den Motor aus und ziehen Sie das Zündkabel von der Zündkerze ab.
- Tragen Sie Schutzhandschuhe, wenn Sie Wartungsarbeiten an den Schneckenflügeln durchführen. Die Flügel ist sehr scharf und man schneidet sich sehr leicht.
- Zubehörteile und Änderungen am Produkt, die vom Hersteller nicht genehmigt wurden, können zu schweren Verletzungen oder zum Tod führen. Verändern Sie das Produkt nicht. Verwenden Sie immer Teile, die vom Hersteller genehmigt wurden.
- Wenn die Wartung nicht ordnungsgemäß und regelmäßig erfolgt, erhöht sich die Verletzungsgefahr und das Risiko für eine Beschädigung des Produkts.
- Führen Sie nur Wartungsarbeiten durch, die gemäß dieser Betriebsanleitung vorgegeben sind. Alle anderen Wartungsarbeiten müssen von einer autorisierten Servicewerkstatt durchgeführt werden.
- Lassen Sie eine autorisierte Servicewerkstatt das Gerät regelmäßig warten.
- Ersetzen Sie beschädigte, abgenutzte oder defekte Teile.

5. Bauen Sie den oberen Griff mit der Bedientafel (E) am unteren Griff ein. (Abb. 26)

### Montieren Sie das Auswurf-Leitblech

1. Bauen Sie die Drehscheibe (B) und die 6 Sechskantschrauben (D) aus dem Gehäuse aus.
2. Befestigen Sie die Drehscheibe (B) und das Auswurf-Leitblech (A) mit 3 Begrenzungsblöcken (C) am Fuß des Auswurfsammlers.
3. Verwenden Sie 6 Sechskantschrauben (D) und 6 Sicherungsmuttern (E), um die Begrenzungsblöcke (C) zu verriegeln. (Abb. 27)

## Zusammenbau des Rotors der Auswurfschütte

1. Montieren Sie das vordere Ende des Rotors der Auswurfschütte.
2. Bringen Sie die Kunststoffbuchse (B) an der Vorderseite des Rotors der Auswurfschütte an.
3. Befestigen Sie den Rotor der Auswurfschütte mit 1 flachen Abstandhalter (A) und 1 Haarnadel (C). (Abb. 28)
4. Montieren Sie das hintere Ende des Rotors der Auswurfschütte.
5. Verwenden Sie 1 Gegenmutter M8 (A), 1 Kunststoffverriegelungsgriff (B), 2 Kurvenabstandhalter (C) und 1 Schraubenwaage (D), um den Rotor der Auswurfschütte zusammenzubauen.
6. Verwenden Sie 1 Sechskantmutter M8 (E), um den Rotor der Auswurfschütte (F) in die Löcher des Griffs zu setzen. (Abb. 29)

## Zusammenbau der Steuerstange für die Drehzahlregelung

1. Bringen Sie das lange gebogene Ende der Steuerstange für die Drehzahlregelung (A) am Bedienfeld an und befestigen Sie es mit 1 Verbindungsstangenfeder (B), 1 flachen Abstandhalter (C) und 1 Splint (D). (Abb. 30)
2. Ziehen Sie die Schalltafel (B) hoch und bauen Sie das kurze, gebogene Ende der Steuerstange für die

Drehzahlregelung (A) ein. Bringen Sie 1 flachen Abstandhalter (C) und 1 Splint (D) an der Steuerstange für die Drehzahlregelung (A) an. (Abb. 31)

3. Fahren Sie die Steuerstange für die Drehzahlregelung bei Bedarf aus. Lösen Sie die Sicherungsmuttern des Drehschlusses und drehen Sie das Drehschloß. Ziehen Sie das Drehschloß wieder an die ursprüngliche Position, um die Geschwindigkeit ordnungsgemäß zu kontrollieren. Die ursprüngliche Position ist auf den Gewinden markiert. (Abb. 32)

## Montage der Schnecke und der Antriebskabel

1. Entfernen Sie die 2 Schrauben (B) der Kabelverschraubung von den Kabeln (D).
2. Befestigen Sie die 2 Schrauben (B) der Kabelverschraubung an den Löchern des linken und rechten Handgriffs (A). (Abb. 33)
3. Befestigen Sie die Kabel (D) an den Schrauben (B) der Kabelverschraubung.
4. Schließen sie die linke und rechte Kabelverschraubung (D) und die Kabelschraube (B) an und arretieren Sie sie, bis die Oberseite der Messingmutter (C) auf die Markierung auf den Gewinden (E) ausgerichtet ist.
5. Verriegeln Sie das Kabel mit der Messing-Kontermutter (C).

---

## Betrieb

---



**WARNUNG:** Lesen Sie vor der Benutzung des Geräts das Kapitel zur Gerätesicherheit und die Bedienungsanleitung.

### Bevor Sie das Produkt starten

- Sorgen Sie dafür, dass sich im Arbeitsbereich keine Unbefugten oder Tiere aufhalten.
- Warten Sie das Gerät täglich. Siehe *Wartungsplan auf Seite 176*.
- Stellen Sie sicher, dass das Zündkabel ordnungsgemäß mit der Zündkerze verbunden ist.
- Füllen Sie Öl oder Benzin nach, falls erforderlich. Siehe *So befüllen Sie den Motor mit Öl auf Seite 174*.

### So befüllen Sie den Motor mit Öl



**ACHTUNG:** Drehen Sie auf keinen Fall den Ölmesstab, wenn Sie den Ölstand prüfen. Nicht über die Füllstandsanzeige hinaus befüllen.

1. Öleinfülldeckel abnehmen und den Messstab abwischen. Siehe Information zur Position *Geräteübersicht auf Seite 167* des Messstabs.
2. Füllen Sie Öl bis zur oberen Markierung am Messstab nach. Verwenden Sie den Messstab, um den Ölstand in regelmäßigen Abständen zu prüfen.
3. Setzen Sie den Öleinfülldeckel wieder an Ort und Stelle auf.

### So füllen Sie Kraftstoff ein

Falls vorhanden, verwenden Sie schadstoffarmes Benzin/Alkylatbenzin. Wenn schadstoffarmes Benzin/Alkylatbenzin nicht verfügbar ist, verwenden Sie ein qualitativ hochwertiges bleifreies Benzin. Verwenden Sie außerhalb Nordamerikas Benzin mit einer Oktanzahl von mindestens 90 ROZ (87 AKI in Nordamerika) und mit einem Ethanolgehalt von maximal 10 % (E10).



**ACHTUNG:** Verwenden Sie außerhalb Nordamerikas kein Benzin mit einer Oktanzahl von weniger als 90 ROZ (87 AKI in Nordamerika). Dies kann das Gerät beschädigen.

1. Öffnen Sie den Tankdeckel langsam, damit der Druck entweichen kann.
2. Füllen Sie langsam mit einem Kraftstoffkanister auf. Wenn Sie Kraftstoff verschütten, entfernen Sie ihn mit einem Tuch und lassen Sie den verbleibenden Treibstoff trocknen.
3. Säubern Sie den Bereich um den Tankdeckel herum.
4. Schrauben Sie den Kraftstofftankdeckel fest zu. Wenn der Tankdeckel nicht fest zugeschraubt ist, besteht Feuergefahr.
5. Bewegen Sie das Gerät vor dem Starten mindestens 3 m (10 ft) von der Stelle fort, an der Sie den Tank befüllt hatten.

## Einstellen des Leitblechs für den Auswurfsammler

Die Richtung, in die Schnee geworfen werden soll, wird durch die Steuerung des Rotors der Auswurfschütze eingestellt, die am linken Handgriff montiert ist.

1. Drehen Sie die Steuerung des Rotors der Auswurfschütze, um die Drehrichtung des Schneeauswurfs einzustellen.
2. Drehen Sie die Steuerung des Rotors der Auswurfschütze im Uhrzeigersinn, um Schnee nach rechts auszuwerfen.
3. Drehen Sie die Steuerung des Rotors der Auswurfschütze gegen den Uhrzeigersinn, um Schnee nach links auszuwerfen. (Abb. 34)
4. Bewegen Sie das Winkelleitblech nach oben oder unten, um die Entfernung einzustellen, in welcher der Schnee ausgeworfen werden soll. (Abb. 35)

## So lassen Sie den Motor an

1. Lassen Sie die Antriebsaktivierung los. Bringen Sie den Steuerhebel für die Antriebsgeschwindigkeit in die erste Position.
2. Drehen Sie den Kraftstoffschalter auf die Position „ON“ (Ein). (Abb. 36)
3. Stellen Sie den Choke auf die Stellung CLOSE (Geschlossen). (Abb. 37)
4. Drehen Sie den Ein-/Aus-Schlüssel in die Betriebsposition. (Abb. 38)
5. Drücken Sie die Primerpumpe 1 bis 3 Mal, um die Druckerhöhungspumpe zu starten. Verwenden Sie die Druckerhöhungspumpe für Kaltstart bei niedrigen Temperaturen. (Abb. 39)
6. Ziehen Sie den Startergriff. (Abb. 40)



**ACHTUNG:** Lassen Sie den Startergriff nicht zu schnell los. Schieben Sie ihn zurück in die Stellung „slowly“ (Start langsam).

**Hinweis:** Wenn der Startergriff eingefroren ist, ziehen Sie langsam soviel Seil wie möglich aus dem Anlasser und lassen Sie den Startergriff wieder los. Wenn der Motor nicht startet, wiederholen Sie den Vorgang oder nutzen Sie den elektrischen Anlasser.

7. Lassen Sie den Motor 30–40 Sekunden im Leerlauf laufen, bevor Sie mit dem Schneeräumen beginnen.
8. Wenn der Motor warm ist, bewegen Sie den Choke langsam in die Stellung OPEN (Offen). (Abb. 41)

## So starten den Motor, Elektrisches Starten des Motors



**WARNUNG:** Das Gerät verfügt über einen 230 Volt AC Elektrostarter. Verwenden Sie den elektrischen Anlasser nicht, wenn Ihr Haus nicht korrekt über eine 230-VAC-Schutzkontakt-Erdung abgesichert ist. Schwere Verletzungen könnten die Folge sein, oder es könnten Schäden am Gerät auftreten. Der elektrische Anlasser verfügt über einen Schutzkontaktstecker und ist für die Verwendung mit 230 V Wechselstrom vorgesehen. Stellen Sie sicher, dass Ihr Haus korrekt über eine 230 V-Wechselstrom-Schutzkontakt-Erdung abgesichert ist. Wenn Sie nicht sicher sind, wenden Sie sich an eine Elektrofachkraft.

**Hinweis:** Verwenden Sie ein Verlängerungskabel, das für den Einsatz im Freien empfohlen wird und eine Drahtgröße von mindestens 16 AWG (1,5 mm<sup>2</sup>) hat und nicht länger als 15 m (50 Fuß) ist.

1. Lassen Sie die Antriebsaktivierung los. Bringen Sie den Steuerhebel für die Antriebsgeschwindigkeit in die erste Position.
2. Drehen Sie den Kraftstoffschalter auf die Position „ON“ (Ein). (Abb. 36)
3. Stellen Sie den Choke auf die Stellung CLOSE (Geschlossen). (Abb. 37)
4. Drehen Sie den Ein-/Aus-Schlüssel in die Betriebsposition. (Abb. 38)
5. Drücken Sie die Primerpumpe 1 bis 3 Mal, um die Druckerhöhungspumpe zu starten. Verwenden Sie die Druckerhöhungspumpe für Kaltstart bei niedrigen Temperaturen. (Abb. 39)
6. Schließen Sie das Gerät an die Stromversorgung an. (Abb. 42)
7. Halten Sie die Start-Taste am Steuerfeld 5 Sekunden lang gedrückt. (Abb. 43)
8. Startet der Motor nicht, warten Sie 5 Sekunden, und drücken Sie dann die Start-Taste erneut.



**ACHTUNG:** Versuchen Sie nicht, den Motor mehr als 10 Mal anzulassen. Warten Sie nach dem zehnten Mal 40 Minuten, bevor Sie es erneut versuchen.

9. Trennen Sie das Netzkabel vom Gerät, wenn der Motor gestartet ist.
10. Lassen Sie den Motor 30–40 Sekunden im Leerlauf laufen, bevor Sie mit dem Schneeräumen beginnen.
11. Wenn der Motor warm ist, bewegen Sie den Choke langsam in die Stellung OPEN (Offen). (Abb. 41)

## So bedienen Sie das Gerät

1. Drücken Sie die Schneckenaktivierung an den Griff, um die Schnecke einzurasten und Schnee auszuwerfen. (Abb. 44)
2. Bewegen Sie den Steuerhebel für die Antriebsgeschwindigkeit nach links, um das Gerät vorwärts zu bewegen. Bewegen Sie den Steuerhebel für die Antriebsgeschwindigkeit nach rechts, um das Gerät rückwärts zu bewegen. (Abb. 45)
3. Betätigen Sie die Antriebsaktivierung mit dem rechten Handgriff.
4. Drücken Sie die Antriebsaktivierung an den Griff, um die Antriebsräder einzurasten. Das Gerät bewegt sich je nach Position des Steuerhebels für die Antriebsgeschwindigkeit vorwärts oder rückwärts. (Abb. 46)

## So schalten Sie das Gerät aus

**Hinweis:** Um den Motor im Notfall abzuschalten, den ein/aus-Schlüssel herausziehen.

1. Lassen Sie den Antriebsaktivierung los, um die Antriebsräder anzuhalten.
2. Lassen Sie die Schneckenaktivierung los, um die Schnecke zu lösen und den Schneeauswurf zu stoppen. (Abb. 47)
3. Drehen Sie den Kraftstoffschalter auf die Position „OFF“ (Aus). (Abb. 48)
4. Ziehen Sie den Ein/Aus-Schlüssel ab. (Abb. 49)

## So erhalten Sie ein gutes Arbeitsergebnis

- Lassen Sie den Motor stets mit Vollgas oder fast mit Vollgas laufen.
- Passen Sie die Drehzahl des Geräts immer den Schneeverhältnissen und regeln Sie die Drehzahl mit dem Drehzahlregelungshebel. Stellen Sie sicher, dass das Gerät den Schnee gleichmäßig auswirft.
- Es ist einfacher und effizienter, den Schnee sofort zu räumen, nachdem er gefallen ist.
- Achten Sie darauf, dass der Schnee vom Gerät möglichst in Windrichtung ausgeworfen wird.
- Auf ebenen Flächen, wie etwa auf asphaltierten Straßen, heben Sie die Gleitplatten bis auf 5-6 mm (0,2-0,25 in) vom Boden an.
- Die Schürfleiste ist umdrehbar. Wenn sie bis fast an die Gehäusekante verschlissen ist, drehen Sie sie um. Ersetzen Sie die Schürfleiste, falls diese beschädigt ist oder wenn beide Seiten verschlissen sind.
- Nehmen Sie das Leitblech für den Auswurfsammler nicht ab, wenn es verstopft ist.
- Wenn das Gerät aus unvorhersehbaren Gründen nicht vorwärts fährt, lassen Sie die Antriebsaktivierung sofort los oder bewegen Sie den EIN-/AUS-Schlüssel in die Position „OFF“.

# Wartung

## Wartungsplan

Wartung	Täglich	20 Stunden	50 Stunden	100 Stunden
Überprüfen Sie, dass alle Muttern und Schrauben angezogen sind	X			
Kontrollieren Sie den Motorölstand	X			
Führen Sie einen Ölwechsel durch <sup>61</sup>		X	X	X

<sup>61</sup> Wechseln Sie das (nach den ersten 20, 50 und 100 Betriebsstunden, danach alle 100 Stunden).



Wartung	Taglich	20 Stunden	50 Stunden	100 Stunden
Stellen Sie sicher, dass keine Kraftstoff- oder ulleckagen vorhanden sind	X			
Entfernen Sie Verstopfungen und Fremdkorper aus der Schnecke	X			
Prufen Sie den Reifendruck <sup>62</sup>			X	
Prufen und wechseln Sie die Zundkerze <sup>63</sup>				X

**Hinweis:** Es ist nicht erforderlich, Schmierfett auf das Getriebe aufzufullen oder sonstige Wartungsarbeiten am Getriebe durchzufuhren.

## So fuhren Sie eine allgemeine Inspektion durch

- Stellen Sie sicher, dass alle Muttern und Schrauben am Gerat richtig angezogen sind.

## So prufen Sie den olstand



**ACHTUNG:** Ein zu niedriger olstand kann den Motor beschadigen. Prufen Sie den olstand, bevor Sie das Produkt starten.

1. Stellen Sie das Produkt auf einer ebenen Flache ab.
2. Entfernen Sie den oltankverschluss mit dem beigefugten Messstab.
3. Reinigen Sie den Messstab von ol.
4. Tauchen Sie den Messstab vollstandig in den olbehalter ein, um ein korrektes Bild uber den olstand zu erhalten.
5. Entfernen Sie den Messstab.
6. Prufen Sie den olstand am Messstab.
7. Wenn der olstand zu niedrig ist, fullen Sie Motorol ein, und kontrollieren Sie den olstand erneut.

## So wechseln Sie das Motorol

1. Lassen Sie den Motor ein paar Minuten laufen, damit sich das ol erwarmt. Warmes ol fliet besser ab und nimmt mehr Verunreinigungen auf.



**WARNUNG:** Das Motorol ist hei. Vermeiden Sie Hautkontakt mit gebrauchtem Motorol.

2. Stellen Sie das Gerat auf einer ebenen Flache ab.

3. Lassen Sie den Motor laufen, bis der gesamte Kraftstoff verbraucht ist.
4. Ziehen Sie den Zundschlussel ab.
5. Stellen Sie einen Behalter unter die olablassschraube.
6. Entfernen Sie die olablassschraube, kippen Sie das Gerat nach hinten und lassen Sie das Altol in den Behalter flieen. (Abb. 50)
7. Bringen Sie das Gerat wieder in die Betriebsposition.
8. Setzen Sie die olablassschraube ein und ziehen Sie sie mit der Hand an.
9. Fullen Sie ol auf den Motor auf, siehe dazu *So befüllen Sie den Motor mit ol auf Seite 174.*

## So uberprufen Sie die Zundkerze



**ACHTUNG:** Verwenden Sie stets den vom Hersteller empfohlenen Zundkerzentyp! Die Verwendung eines falschen Zundkerzentyps kann zu Schaden am Gerat fuhren.

- uberprufen Sie die Zundkerze, wenn der Motor nur schwache Leistung bringt, sich nur schwer starten lasst oder im Leerlauf nicht ordnungsgem funktioniert.
- Wenn Sie diese Anweisungen befolgen, verringern Sie die Gefahr von unerwunschtem Material an den Elektroden der Zundkerze:
  - a) Stellen Sie sicher, dass die Leerlaufdrehzahl richtig eingestellt ist.
  - b) Stellen Sie sicher, dass die Kraftstoffmischung korrekt ist.
  - c) Sicherstellen, dass der Luftfilter sauber ist.
- Ist die Zundkerze verschmutzt, so ist sie zu reinigen; gleichzeitig ist zu prufen, ob der Elektrodenabstand korrekt ist, siehe *Technische Daten auf Seite 182.* (Abb. 51)
- Tauschen Sie die Zundkerze bei Bedarf aus.

<sup>62</sup> Angaben zum richtigen Reifendruck finden Sie in den Technischen Daten.

<sup>63</sup> Prufen und reinigen Sie die Zundkerze jahrlich vor Inbetriebnahme.

## So kontrollieren Sie Schnecken und Schürfleiste

1. Führen Sie vor jedem Gebrauch eine Verschleißkontrolle der Schnecken und der Schürfleiste durch.
2. Wenn die Kante der Schürfleiste verschlissen ist, drehen Sie die Schürfleiste um. Wenn die Schürfleiste Beschädigungen aufweist oder an beiden Kanten verschlissen, ersetzen Sie sie.
3. Wenn die Kanten der Schnecken verschlissen sind, wenden Sie sich an ein autorisiertes Service Center, damit die Schnecken ersetzt werden.

## So stellen Sie die Gleitplatten ein

Die Gleitplatten verhindern Schäden an der Unterseite der Schneefräse. Stellen Sie die Gleitplatten (A) ein, wenn die Sicherungsmutter (B) locker ist, sonst haben die Gleitplatten nicht den richtigen Abstand zum Boden. Für die Standardinstallation ist kein Einstellen erforderlich.

1. Lösen Sie die Sicherungsmutter (B) mit einem offenen 13-mm-Schraubenschlüssel.
2. Bewegen Sie die Gleitplatten (A) nach oben oder nach unten.
  - a) Stellen Sie auf ebenen Oberflächen die Entfernung zwischen der Schürfleiste und dem Boden auf 5-6 mm ein.
  - b) Stellen Sie auf rauen Oberflächen die Gleitplatten (A) in eine Position, in der sich die Schürfleiste über dem Boden befindet.



**WARNUNG:** Stellen Sie sicher, dass Kies und Steine nicht in das Gerät gelangen können. Objekte, die bei hoher Geschwindigkeit ausgeworfen werden, können zu Verletzungen führen.

3. Ziehen Sie die Sicherungsmutter (B) an. (Abb. 52)

## Austausch des Abscherbolzens

Der Abscherbolzen schützt das Gerät vor Beschädigungen. Er bricht, wenn ein Fremdkörper in die beweglichen Teile eindringt.

1. Wenn der Abscherbolzen bricht, stellen Sie den Motor ab.

2. Montieren Sie einen neuen Abscherbolzen (A) und eine neue Spannfeder (B). (Abb. 53)

## So prüfen Sie die Bereifung

- Vermeiden Sie, dass die Reifen mit Kraftstoff, Öl und Chemikalien in Berührung kommen, damit der Gummi keinen Schaden nimmt.
- Vermeiden Sie den Kontakt der Reifen mit Baumstümpfen, Steinen, Spurrillen, scharfen Gegenständen oder anderen Gegenständen, die zu Schäden an den Reifen führen können.
- Verwenden Sie immer den richtigen Reifendruck, siehe *Technische Daten auf Seite 182*.

## So beseitigen Sie eine Verstopfung am Leitblech für den Auswurfsammler

Beseitigen Sie niemals eine Verstopfung am Leitblech für den Auswurfsammler, bevor die nachfolgend genannten Arbeiten vorgenommen wurden.

1. Lösen Sie Schneckenaktivierung und Antriebsaktivierung gleichzeitig.
2. Warten Sie 10 Sekunden um sicherzugehen, dass die Schnecken zum Stillstand gekommen sind.
3. Halten Sie das Gerät an.
4. Verwenden Sie das Reinigungswerkzeug (mindestens 37 cm lang, bei einigen Modellen im Lieferumfang enthalten) zum Beseitigen der Verstopfung.



**WARNUNG:** Achten Sie darauf, dass Ihre Hände nicht in das Innere des Leitblechs für den Auswurfsammler oder in die Schneckenschaukel gelangen.

## So reinigen Sie das Gerät

- Kunststoffteile mit einem sauberen und trockenen Tuch reinigen.
- Reinigen Sie das Gerät nicht mit einem Hochdruckreiniger.
- Lassen Sie kein Wasser direkt auf den Motor gelangen.
- Verwenden Sie einen Pinsel, um Blätter, Gras und Schmutz zu entfernen.

# Fehlerbehebung

## Fehlerbehebung

Problem	Mögliche Ursache	Lösung
Das Gerät springt nicht an	Der Sicherheitszündschlüssel ist nicht eingesteckt.	Den Sicherheitszündschlüssel einstecken.
	Das Gerät erhält keinen Kraftstoff.	Frischen sauberen Kraftstoff in den Kraftstofftank füllen.
	Der Ein-/Aus-Schlüssel befindet sich in Stellung OFF (Aus).	Den Ein-/Aus-Schlüssel in die Betriebsstellung bringen.
	Der Choke befindet sich in Stellung OFF (Geschlossen).	Den Choke in die Stellung ON (Offen) bringen.
	Der Primer ist nicht gedrückt.	Den Primer drücken.
	Der Motor hat zu viel Kraftstoff bekommen.	Einige Minuten warten, dann neu starten. Die Primerpumpe nicht drücken.  Den Motor neu starten und bei Vollgas laufen lassen. Der Choke muss sich dabei in Stellung OFF (Geschlossen) befinden.
	Das Zündkerzenkabel ist nicht angeschlossen.	Das Kabel mit der Zündkerze verbinden.
	Die Zündkerze ist defekt.	Die Zündkerze ersetzen.
	Es befindet sich Wasser im Kraftstoff oder der Kraftstoff ist zu alt.	Kraftstofftank und Vergaser leeren. Frischen sauberen Kraftstoff in den Kraftstofftank füllen.
	In der Kraftstoffleitung befinden sich Dämpfe.	Sicherstellen, dass die gesamte Kraftstoffleitung unterhalb des Kraftstofftank-Auslasses verläuft. Die Kraftstoffleitung muss vom Kraftstofftank zum Vergaser durchgehend in Abwärtsrichtung verlaufen.
	Sonstige Ursachen.	Die Vorgehensweisen zum Anlassen sorgfältig prüfen, wie in dieser Bedienungsanleitung beschrieben.
Der Kraftstoffschalter (je nach Ausstattung) befindet sich in Stellung CLOSE (Geschlossen).	Den Kraftstoffschalter in die Stellung OPEN (Offen) bringen.	
Der Gashebel befindet sich in Stellung STOP.	Den Gashebel in die Stellung FAST (Schnell) bringen.	

<b>Problem</b>	<b>Mögliche Ursache</b>	<b>Lösung</b>
Eingeschränkte Leistung	Das Zündkerzenkabel ist nicht angeschlossen.	Das Kabel mit der Zündkerze verbinden.
	Das Gerät wirft zu viel Schnee aus.	Drehzahl und Räumbreite verringern.
	Der Kraftstofftankdeckel ist mit Eis oder Schnee bedeckt.	Eis und Schnee auf dem und um den Kraftstofftankdeckel herum entfernen.
	Der Schalldämpfer ist verschmutzt oder verstopft.	Schalldämpfer reinigen oder ersetzen.
	Falsche Kabellänge.	Das Kabel entsprechend anpassen.
	Der Schalldämpfer ist verstopft.	Sicherstellen, dass der Motor kalt ist. Verstopfung beseitigen.
	Der Lufteinlass des Vergasers ist verstopft.	Sicherstellen, dass der Motor kalt ist. Verstopfung beseitigen.
Motor läuft im Leerlauf oder unregelmäßig (stottert)	Der Choke befindet sich in Stellung ON (Offen) (FULL, OPEN).	Den Choke in die Stellung OFF (Geschlossen) (CLOSE) bringen.
	Die Kraftstoffleitung ist verstopft.	Kraftstoffleitung reinigen.
	Es befindet sich Wasser im Kraftstoff oder der Kraftstoff ist zu alt.	Kraftstofftank und Vergaser leeren. Frischen sauberen Kraftstoff in den Kraftstofftank füllen.
	Der Vergaser muss ausgetauscht werden.	Bitte ein autorisiertes Service Center kontaktieren.
	Der Keilriemen hat sich gedehnt.	Den Keilriemen der Schnecke ersetzen.
Starke Vibrationen / der Handgriff bewegt sich	Einige Teile sind lose. Die Schnecke ist beschädigt.	Alle Schrauben anziehen. Beschädigte Teile ersetzen. Wenn die Vibrationen weiterhin auftreten, bitte ein autorisiertes Service Center kontaktieren.
	Die Griffe wurden nicht richtig positioniert.	Sicherstellen, dass die Griffe in der richtigen Position verriegelt sind.
	Die Muttern des Einstellhebels haben sich gelockert.	Die Muttern anziehen, bis der Griff ein sicheres Griffgefühl gibt.
Der Startergriff ist schwer zu ziehen	Der Startergriff ist eingefroren.	Langsam soviel Seil wie möglich aus dem Anlasser ziehen und den Startseilhandgriff wieder loslassen. Wenn der Motor nicht startet, den Vorgang wiederholen oder den elektrischen Anlasser nutzen.
	Das Starterseil wird durch andere Bauteile behindert.	Der Seilzug darf keine Kabel oder Schläuche berühren.

<b>Problem</b>	<b>Mögliche Ursache</b>	<b>Lösung</b>
Verlust des Fahrtriebs/ Verlangsamung der Antriebsgeschwindigkeit  Es wird nicht mehr genügend Schnee ausgeworfen oder der Auswurf des Schnees ist verlangsamt	Der Riemen rutscht durch.	Das Kabel entsprechend anpassen. Den Riemen einstellen.
	Der Riemen ist verschlissen.	Den Riemen prüfen/ersetzen.
	Der Riemen befindet sich nicht mehr auf der Riemenscheibe.	Riemen prüfen und wieder einbauen.
	Das Leitblech für den Auswurfsammler ist verstopft.	Reinigen Sie das Leitblech für den Auswurfsammler.
	Fremdkörper verstopfen die Schnecken.	Schmutz bzw. die Fremdkörper von den Schnecken entfernen.
	Der Abscherbolzen ist gebrochen.	Den gebrochenen Abscherbolzen ersetzen.
	Zu viel Schnee und Eis zwischen den Raupenkomponenten.	Schnee und das Eis zwischen den Raupenkomponenten entfernen.
Die Schnecke dreht sich nach Loslassen des Griffs nicht	Das Reibungsantriebsrad ist verschlissen.	Bitte ein autorisiertes Service Center kontaktieren.
	Der Riemen ist nicht korrekt ausgerichtet.	Den Riemen korrekt einstellen.
Die LEDs (sofern vorhanden) sind nicht in Betrieb	Das Auswurf-Leitblech ist nicht korrekt ausgerichtet.	Das Auswurf-Leitblech einstellen.
	Der Motor läuft nicht.	Den Motor starten.
	Die Kabelverbindung hat sich gelockert.	Kabelverbindungen am Motor und an den Leuchten prüfen.
Der Rotor der Auswurfschütte lässt sich nur schwer bewegen	Die LED ist durchgebrannt.	Das LED-Leuchtenmodul ersetzen. Einzelne LEDs können nicht ersetzt werden.
	Der Mechanismus des Rotors der Auswurfschütte ist verschmutzt.	Innen liegende Bauteile des Mechanismus für den Rotor der Auswurfschütte reinigen.
Das Gerät zieht beim Fahren nach einer Seite	Die Kabel weisen Knicke oder Beschädigungen auf.	Sicherstellen, dass die Kabel nicht geknickt sind. Beschädigte Kabel ersetzen.
	Der Reifendruck ist nicht auf beiden Seiten identisch.	Reifendruck anpassen und Luft auf die Reifen auffüllen.
	Das Gerät fährt mit nur einem Rad.	Den Sicherungsstift der Reifen prüfen.
	Ungleichmäßige Einstellung des Schlittens.	Die Gleitplatten und den Schlitten einstellen.
	Ungleichmäßige Einstellung der Gleitplatten.	Die Gleitplatten und den Schlitten einstellen.

---

# Transport, Lagerung und Entsorgung

---

## Transport und Lagerung

- Für die Lagerung und den Transport des Geräts und des Kraftstoffs ist darauf zu achten, dass keine Lecks oder Dämpfe vorhanden sind. Funken oder offene Flammen, zum Beispiel von elektrischen Geräten oder einem Boiler, können ein Feuer auslösen.
- Verwenden Sie für die Lagerung und den Transport von Kraftstoff immer zugelassene Behälter.
- Leeren Sie den Kraftstofftank, bevor Sie das Gerät über einen längeren Zeitraum einlagern.
- Wenn der Kraftstoffbehälter des Vergasers über eine Ablassschraube verfügt, entleeren Sie den Kraftstoff aus dem Vergaser, bevor Sie das Gerät für einen längeren Zeitraum lagern.
- Sichern Sie das Gerät während des Transports ab, um Schäden und Unfälle zu vermeiden.

- Bewahren Sie das Gerät in einem verschlossenen Bereich auf, um einen unerlaubten Zugriff durch Kinder oder andere Personen zu verhindern.
- Bewahren Sie das Gerät in an einem trockenen und frostfreien Bereich auf.

## Entsorgung

- Befolgen Sie die örtlichen Entsorgungsvorschriften und geltenden Vorschriften.
- Entsorgen Sie alle Chemikalien, z. B. Motoröl oder Kraftstoff, in einer Servicewerkstatt oder in einer geeigneten Abfallentsorgungsstelle.
- Entsorgen Sie das Gerät an einer zugelassenen Entsorgungsstelle oder senden Sie es zur Entsorgung an Husqvarna.

---

## Technische Daten

---

### Technische Daten

	ST 124
<b>Abmessungen</b>	
Gewicht mit leeren Tanks, kg	76
Max. Betriebsreifendruck, PSI	20
Einlasshöhe, cm	53,3
Arbeitsbreite, cm	61
<b>Motor</b>	
Marke	Husqvarna
Nennleistung des Motors, kW	4,3
Hubraum, cm <sup>3</sup>	212
Kraftstofftyp	Bleifrei, normal (max. 10 % Ethanol)
Kraftstoffmenge, gal/l	0,58 / 2,2
Ölsorte (API-SJ-SN)	SAE 5W30 (unter 0 °C (32 °F))
Ölmenge, fl. oz./l	20 / 0,6
<b>Elektrisches System</b>	
Zündkerze	F7RTC
Zündkerze, Elektrodenabstand (Zoll/mm)	0,027–0,031 / 0,7–0,8

	<b>ST 124</b>
<b>Geräuschemissionen</b> <sup>64</sup>	
Schallleistungspegel, gemessen in dB(A)	100
Schallleistungspegel, garantiert L <sub>WA</sub> dB(A)	102
<b>Lautstärke</b> <sup>65</sup>	
Schalldruckpegel am Ohr des Bedieners, gemessener L <sub>PA</sub> , dB(A)	86
<b>Schwingungsniveau, a<sub>hveq</sub></b> <sup>66</sup>	
Schwingungsniveau am Handgriff, links/rechts	4,15 / 4,08

<sup>64</sup> Umweltbelastende Geräuschemissionen, gemessen als Schallleistung (L<sub>WA</sub>) gemäß EG-Richtlinien 2000/14/EG und 2005/88/EG. Berichten zufolge liegen die Geräuschemissionen normalerweise bei einer Ausbreitungsklasse (standardmäßige Ausbreitung) von 1,5 dB(A). Messunsicherheit = 1,5 dB(A)

<sup>65</sup> Schalldruckpegel gemäß EN ISO 11201. Berichten zufolge liegt der Schalldruckpegel normalerweise bei einer Ausbreitungsklasse (standardmäßige Ausbreitung) von 1,5 dB(A). Messunsicherheit = 1,5 dB(A)

<sup>66</sup> Schwingungsniveau gemäß ISO 8437-4 Anhang B. Messunsicherheit = 1,5 m/s<sup>2</sup>

---

# EU-Konformitätserklärung

---

## INHALT DER EU-KONFORMITÄTSEKTLÄRUNG

Wir, Husqvarna, SE-561 82 Huskvarna, SCHWEDEN, erklären in alleiniger Verantwortung, dass das Gerät Folgendem genügt:

Beschreibung	Schneefräse
Marke	Husqvarna
Plattform/Typ/Modell	ST 124
Charge	Seriennummer ab 2020

die folgenden EU-Richtlinien und -Vorschriften voll erfüllt:

Richtlinie/Vorschrift	Beschreibung
2006/42/EG	„bezüglich Maschinenrichtlinie“
2014/30/EG	„bezüglich EMV-Richtlinie“
2000/14/EG, 2005/88/EG	„bezüglich Richtlinie über umweltbelastende Geräuschemissionen“
2011/65/EG	„Beschränkung der Verwendung bestimmter gefährlicher Stoffe“

Es gelten folgende harmonisierten Normen und/oder technischen Spezifikationen: EN ISO 12100:2010, EN ISO 14982:2009, ISO 8437-1:2019, ISO 8437-2:2019, ISO 8437-4:2019, ISO 3744:1995, EN 1032:2003+A1:2008, EN 50581:2012

Die im Abschnitt „Technische Daten“ in dieser Betriebsanleitung und in der signierten EU-Konformitätserklärung angegebenen Schallwerte entsprechen der EU-Richtlinie 2000/14/EG + 2005/88/EG, Anhang V.

Die gelieferte Schneefräse entspricht dem Exemplar, das die Prüfung durchlaufen hat.

Im Auftrag von Husqvarna AB, SE-561 82 Huskvarna, SCHWEDEN, 07. Februar 2020



Claes Losdal

Für die Zusammenstellung der technischen Dateien, die innerhalb der EU erstellt wurden, verantwortliche Person



---

## Περιεχόμενα

---

Εισαγωγή.....	185	Αντιμετώπιση προβλημάτων.....	197
Ασφάλεια.....	186	Μεταφορά, αποθήκευση και απόρριψη.....	200
Συναρμολόγηση.....	191	Τεχνικά στοιχεία.....	200
Λειτουργία.....	192	Δήλωση Συμμόρφωσης ΕΚ.....	202
Συντήρηση.....	194		

---

## Εισαγωγή

---

### Επισκόπηση προϊόντος

(Εικ. 1)

1. Σύμπλεξη ατέρμονα κοχλία
2. Μοχλός ελέγχου ταχύτητας κίνησης
3. Ταμπλό ελέγχου
4. Ντιζα ατέρμονα κοχλία
5. Χειριστήριο μηχανισμού περιστροφής σωλήνα
6. Ανακλαστήρας σωλήνα
7. Εργαλείο καθαρισμού
8. Περιβλήμα κοχλία
9. Ατέρμονες κοχλίες
10. Γλίστρα
11. Ελαστικό
12. Πλήρωση λαδιού
13. Κινητήρας
14. Κάτω λαβή
15. Ράβδος ελέγχου ταχύτητας κίνησης
16. Ντιζα κίνησης
17. Λαβή συστήματος εκκίνησης με ανατύλιξη
18. Σύμπλεξη μηχανισμού μετάδοσης κίνησης
19. Λαβές
20. Φούσκα πλήρωσης
21. Τσok
22. Διακόπτης καυσίμου
23. Κλειδί ON/OFF
24. Εγχειρίδιο χρήσης

### Περιγραφή προϊόντος

Το προϊόν είναι εκχιονιστικό μηχάνημα που χρησιμοποιείται για την απομάκρυνση του χιονιού από το έδαφος.

### Προβλεπόμενη χρήση

Αυτό το προϊόν μπορεί να χρησιμοποιηθεί για την απομάκρυνση χιονιού από χωράφια, δρόμους, μονοπάτια κήπων και ιδιωτικούς δρόμους. Μην το χρησιμοποιείτε σε πρηνή με κλίση μεγαλύτερη από 15°. Μην χρησιμοποιείτε το προϊόν σε περιοχές όπου

υπάρχουν πολλές φερτές ύλες, χώματα και πέτρες που προεξέχουν.

### Symbols on the product

**Περιεχόμενα** If the decals on the product are damaged, contact the distributor to replace them.

- (Εικ. 2) Warning.
- (Εικ. 3) Read the operator's manual.
- (Εικ. 4)
- (Εικ. 5) Hot surface.
- (Εικ. 6) Risk of fire.
- (Εικ. 7) Choke.
- (Εικ. 8) Pull starter rope handle.
- (Εικ. 9) Do not breathe in the exhaust fumes from the engine.
- (Εικ. 10) Do not put any part of the body into the chute deflector or the auger housing when the augers rotate.
- (Εικ. 11) Stop the engine before you remove snow from the chute deflector. Use the clean-out tool to remove snow, do not do it by hand.
- (Εικ. 12)
- (Εικ. 11) Keep hands away from the chute deflector.
- (Εικ. 13) Objects can be ejected from the product.
- (Εικ. 14) Keep bystanders away from the product when operating.
- (Εικ. 15) Remove key before maintenance.
- (Εικ. 16) Push in the on/off key to the RUN position.
- (Εικ. 17) Turn the fuel switch to the ON position.
- (Εικ. 18) Push the primer.

- (Εικ. 19) Risk of falling.
- (Εικ. 20) Move slowly rearward.
- (Εικ. 21) Use approved protective gloves.
- (Εικ. 22) Use a protective helmet. Use approved hearing protection. Use approved eye protection.
- (Εικ. 23) Noise emissions to the environment according to European Directive 2000/14/EC and New South Wales legislation "Protection of the Environment Operations (Noise Control) Regulation 2017". Noise emission data can be found on the machine label and in the Technical data chapter.
- (Εικ. 24) European machinery directive for safety.

**Περιεχόμενα** Other symbols/decals on the product refer to certification requirements for some markets.

## Εκπομπές Euro V



**ΠΡΟΕΙΔΟΠΟΙΗΣΗ:** Οποιαδήποτε μη εξουσιοδοτημένη παρέμβαση στον κινητήρα

## Ασφάλεια

### Ορισμοί για την ασφάλεια

Οι παρακάτω ορισμοί παρέχουν το βαθμό σοβαρότητας για κάθε προειδοποιητική λέξη.



**ΠΡΟΕΙΔΟΠΟΙΗΣΗ:** Τραυματισμός ατόμων.



**ΠΡΟΣΟΧΗ:** Ζημιά του προϊόντος.

**Περιεχόμενα** Αυτές οι πληροφορίες διευκολύνουν τη χρήση του προϊόντος.

### Ασφαλείς πρακτικές χειρισμού για εκχιονιστικά πεζού χειριστή

#### Γενικά

Αυτό το μηχάνημα μπορεί να προκαλέσει ακρωτηριασμό χεριών και ποδιών και να εκτοξεύσει αντικείμενα. Εάν δεν ακολουθήσετε τις παρακάτω οδηγίες ασφαλείας, μπορεί να προκληθεί σοβαρός τραυματισμός.

#### Εκπαίδευση

- Διαβάστε, κατανοήστε και ακολουθήστε όλες τις οδηγίες στο μηχάνημα και στα εγχειρίδια προτού χειριστείτε αυτήν τη μονάδα. Εξοικειωθείτε απόλυτα

ακυρώνει την έγκριση τύπου ΕΕ αυτού του προϊόντος.

### Κατασκευαστής

Husqvarna AB

Drottninggatan 2, SE-561 82 Huskvarna

### Ευθύνη προϊόντος

Όπως αναφέρεται στη νομοθεσία περί ευθύνης για τα προϊόντα, δεν φέρουμε καμία ευθύνη για ζημιές που οφείλονται στο προϊόν μας εάν:

- Το προϊόν έχει επισκευαστεί λανθασμένα.
- Το προϊόν έχει επισκευαστεί με εξαρτήματα που δεν προέρχονται από τον κατασκευαστή ή που δεν έχουν εγκριθεί από τον κατασκευαστή.
- Το προϊόν διαθέτει ένα αξεσουάρ που δεν προέρχεται από τον κατασκευαστή ή που δεν έχει εγκριθεί από τον κατασκευαστή.
- Το προϊόν δεν έχει επισκευαστεί σε εγκεκριμένο κέντρο σέρβις ή από εγκεκριμένη αρχή.

με τα χειριστήρια και τη σωστή χρήση του μηχανήματος. Μάθετε πώς να διακόπτετε τη λειτουργία της μονάδας και πώς να αποσυμπλέκετε γρήγορα τα χειριστήρια.

- Μην επιτρέπετε ποτέ σε παιδιά να χρησιμοποιήσουν το μηχάνημα. Μην επιτρέπετε ποτέ σε ενήλικες να χρησιμοποιήσουν το μηχάνημα αν δεν έχουν λάβει κατάλληλες οδηγίες.
- Μην επιτρέπετε σε άλλα άτομα, ειδικά σε μικρά παιδιά, να πλησιάζουν την περιοχή λειτουργίας.
- Προσέχετε να μην γλιστρήσετε και πέσετε, ειδικά όταν χρησιμοποιείτε το μηχάνημα κινούμενοι προς τα πίσω.

#### Προετοιμασία

- Επιθεωρήστε προσεκτικά την περιοχή όπου θα χρησιμοποιηθεί το μηχάνημα και αφαιρέστε όλα τα πατάκια από τις εξώπορτες, τα έλκηθρα, τις σανίδες, τα καλώδια και οποιαδήποτε άλλα ξένα αντικείμενα.
- Αποσυμπλέξτε όλους τους συμπλέκτες και επιλέξτε τη νεκρά προτού εκκινήσετε τον κινητήρα (μοτέρ).
- Μην χρησιμοποιείτε το μηχάνημα χωρίς να φοράτε επαρκή χειμερινά ενδύματα. Αποφεύγετε να φοράτε φαρδιά ρούχα που μπορεί να παγιδευτούν στα κινούμενα εξαρτήματα. Φοράτε παπούτσια που βελτιώνουν το βάδισμα σε ολισθηρές επιφάνειες.
- Φοράτε πάντα γυαλιά ασφαλείας ή προστατευτικά ματιών κατά τη διάρκεια της λειτουργίας ή κατά την εκτέλεση μιας ρύθμισης ή επισκευής, ώστε να

προστατεύετε τα μάτια σας από ξένα αντικείμενα που μπορεί να εκτιναχθούν από το μηχάνημα.

- Πρέπει να χειρίζεστε το καύσιμο με προσοχή, καθώς είναι ιδιαίτερα εύφλεκτο.
- Χρησιμοποιείτε εγκεκριμένο δοχείο καυσίμου.
- Μην προσθέτετε ποτέ καύσιμο σε κινητήρα που λειτουργεί ή που καίει.
- Κάνετε τον εφοδιασμό πάντοτε σε ανοικτούς χώρους με μεγάλη προσοχή. Μη γεμίζετε ποτέ το δοχείο καυσίμου σε εσωτερικό χώρο.
- Μην γεμίζετε ποτέ τα δοχεία μέσα σε όχημα ή φορτηγό ή πάνω σε τρέιλερ με πλατφόρμα με πλαστική επένδυση. Πριν από την πλήρωση, πρέπει πάντα να τοποθετείτε τα δοχεία στο έδαφος μακριά από το όχημα.
- Όταν είναι εφικτό, αφαιρείτε τον εξοπλισμό που κινείται με καύσιμο από το φορτηγό ή το τρέιλερ και ανεφοδιάστε τον στο έδαφος. Εάν αυτό δεν είναι εφικτό, θα πρέπει να ανεφοδιάζετε τον εν λόγω εξοπλισμό πάνω σε τρέιλερ με φορτηγό δοχείο και όχι με μάνικα βενζίνης.
- Κρατάτε πάντα το ακροφύσιο σε επαφή με το χείλος της δεξαμενής ή του δοχείου καυσίμου μέχρι να ολοκληρωθεί ο ανεφοδιασμός. Μην χρησιμοποιείτε διάταξη κλειδώματος-ανοίγματος ακροφυσίου.
- Στερεώστε ξανά στη θέση της την τάπα της βενζίνης και σκουπίστε το καύσιμο που τυχόν έχει χυθεί.
- Εάν χυθεί καύσιμο στα ρούχα σας, αλλάξτε τα αμέσως.
- Χρησιμοποιήστε τα καλώδια προέκτασης και τις πρίζες που προβλέπονται από τον κατασκευαστή για όλες τις μονάδες με ηλεκτρική μίζα.
- Ρυθμίστε το ύψος του περιβλήματος του συλλέκτη, ώστε να μην έρχεται σε επαφή με επιφάνειες με χαλίκια ή θρυμματισμένες πέτρες.
- Μην επιχειρήσετε ποτέ να κάνετε ρυθμίσεις ενώ λειτουργεί ο κινητήρας (το μοτέρ) (εκτός εάν συνιστάται ρητά από τον κατασκευαστή).

### **Λειτουργία**

- Μην πλησιάζετε τα χέρια ή τα πόδια σας κοντά ή κάτω από κινούμενα μέρη. Διατηρείτε πάντα απόσταση ασφαλείας από το άνοιγμα εξόδου.
- Προσέχετε ιδιαίτερα κατά το χειρισμό σε δρομάρκια, μονοπάτια ή δρόμους με χαλίκια ή κατά το πέρασμα από τέτοια σημεία. Φροντίστε να παραμένετε σε εγρήγορση για κρυμμένους κινδύνους ή σε περίπτωση χειρισμού κοντά σε δημόσιους δρόμους.
- Εάν χτυπήσετε ένα ξένο αντικείμενο, σβήστε τον κινητήρα (μοτέρ), αφαιρέστε το καλώδιο από το μπουζί, απσυνδέστε το καλώδιο (στα ηλεκτρικά μοτέρ), εξετάστε προσεκτικά το εκχιονιστικό για τυχόν ζημιές και επισκευάστε τις ζημιές προτού το θέσετε ξανά σε λειτουργία και το χρησιμοποιήσετε.
- Αν το μηχάνημα αρχίσει να δονείται με ασυνήθιστο τρόπο, σβήστε τον κινητήρα (μοτέρ) και ελέγξτε

αμέσως για να εντοπίσετε την αιτία. Οι δονήσεις αποτελούν, γενικά, προειδοποίηση για προβλήματα.

- Πρέπει να σβήσετε τον κινητήρα (μοτέρ) όποτε φεύγετε από τη θέση χειρισμού, προτού αποφράξετε το περίβλημα του συλλέκτη/της φτερωτής ή το σωλήνα εκτόξευσης και όποτε εκτελείτε επισκευές, ρυθμίσεις ή επιθεωρήσεις.
- Μην αφήνετε τον κινητήρα να λειτουργεί σε εσωτερικούς χώρους, παρά μόνο κατά την εκκίνηση της λειτουργίας του και κατά τη μεταφορά του εκχιονιστικού μέσα ή έξω από το κτίριο. Ανοίξτε τις εξωτερικές πόρτες, οι αναθυμιάσεις της εξάτμισης είναι επικίνδυνες.
- Προσέχετε ιδιαίτερα κατά τη λειτουργία σε πρηνή.
- Μην χρησιμοποιείτε ποτέ το μηχάνημα χωρίς να τοποθετήσετε τα κατάλληλα προστατευτικά και τις λοιπές συσκευές προστασίας στη θέση τους και χωρίς να επιβεβαιώσετε ότι λειτουργούν.
- Μην κατευθύνετε ποτέ το άνοιγμα εξαγωγής προς άλλα άτομα ή προς σημεία όπου μπορεί να προκληθούν υλικές ζημιές. Μην αφήνετε να πλησιάζουν παιδιά ή άλλα άτομα.
- Μην υπερφορτώνετε το μηχάνημα επιχειρώντας να καθαρίσετε χιόνι με πολύ γρήγορο ρυθμό.
- Μην χρησιμοποιείτε ποτέ το μηχάνημα με υψηλή ταχύτητα μεταφοράς σε ολισθηρές επιφάνειες. Πρέπει να κοιτάξετε πίσω σας και να προσέχετε κατά τη λειτουργία με κίνηση προς τα πίσω.
- Πρέπει να διακόπτετε την παροχή ισχύος στον συλλέκτη/τη φτερωτή κατά τη μεταφορά του μηχανήματος ή όταν το μηχάνημα δεν χρησιμοποιείται.
- Πρέπει να χρησιμοποιείτε μόνο εξαρτήματα και παρελκόμενα εγκεκριμένα από τον κατασκευαστή του μηχανήματος (όπως αντίβαρα τροχών, αντίβαρα ή καμπίνες).
- Μην χρησιμοποιείτε ποτέ το μηχάνημα αν δεν υπάρχει καλή ορατότητα ή επαρκής φωτισμός. Να είστε πάντα σίγουροι για το που πατάτε και κρατάτε γερά τις λαβές. Πρέπει πάντα να περπατάτε και όχι να τρέχετε.
- Μην ακουμπάτε ποτέ τον κινητήρα ή την εξάτμιση (σιγαστήρα) όταν καίνε.

### **Καθαρισμός φραγμένου σωλήνα εκτόξευσης**

- Η επαφή των χεριών με την περιστρεφόμενη φτερωτή στο εσωτερικό του σωλήνα εκτόξευσης αποτελεί την πιο συνηθισμένη αιτία τραυματισμού που σχετίζεται με εκχιονιστικά. Μην χρησιμοποιείτε ποτέ το χέρι σας για να καθαρίσετε το σωλήνα εκτόξευσης.
- Για να αποφράξετε τη χοάνη:
  1. ΣΒΗΣΤΕ ΤΟΝ ΚΙΝΗΤΗΡΑ!
  2. Περιμένετε 10 δευτερόλεπτα για να βεβαιωθείτε ότι τα πετρώματα της φτερωτής έχουν σταματήσει να περιστρέφονται.
  3. Πρέπει πάντα να χρησιμοποιείτε εργαλείο καθαρισμού και όχι τα χέρια σας.

## Συντήρηση και αποθήκευση

- Πρέπει να ελέγχετε τακτικά τα μπουλόνια διάτμησης και τα λοιπά μπουλόνια για να βεβαιωθείτε ότι είναι σωστά σφιγμένα και ο εξοπλισμός μπορεί να λειτουργήσει με ασφάλεια.
- Μην αποθηκεύετε ποτέ το μηχάνημα σε κτίρια όπου υπάρχουν πηγές ανάφλεξης, όπως θερμοσίφωνες, μονάδες θέρμανσης χώρου ή στεγνωτήρια ρούχων, εάν υπάρχει καύσιμο μέσα στο ντεπόζιτο. Πρέπει να αφήνετε τον κινητήρα να κρυώσει προτού αποθηκεύσετε το μηχάνημα σε κλειστό χώρο.
- Εάν πρόκειται να αποθηκεύσετε το εκχιονιστικό για μεγάλο χρονικό διάστημα, πρέπει πάντα να ανατρέχετε στο εγχειρίδιο οδηγιών για τις σημαντικές λεπτομέρειες.
- Φροντίστε να συντηρείτε ή να αντικαθιστάτε τις επικίνδυνες ασφαλείας, εάν χρειάζεται.
- Μετά από την ρίψη χιονιού, πρέπει να αφήνετε το μηχάνημα να λειτουργήσει λίγα λεπτά για να μην παγώσει ο συλλέκτης/η φτερωτή.
- Κατά τον καθαρισμό, την επισκευή ή τον έλεγχο του εκχιονιστικού, πρέπει να σβήνετε τον κινητήρα και να βεβαιώνετε πως έχει σταματήσει ο συλλέκτης/η φτερωτή και όλα τα κινούμενα εξαρτήματα. Αποσυνδέστε το καλώδιο του μπουζί και διατηρήστε το μακριά από το μπουζί, για να αποτρέψετε την ακούσια εκκίνηση του κινητήρα.

## Γενικές οδηγίες ασφαλείας

- Χρησιμοποιήστε σωστά το προϊόν. Λόγω της εσφαλμένης χρήσης μπορεί να προκληθεί τραυματισμός ή θάνατος. Χρησιμοποιήστε το προϊόν μόνο για τις εργασίες που αναφέρονται στο παρόν εγχειρίδιο. Μην χρησιμοποιείτε το προϊόν για άλλες εργασίες.
- Τηρείτε τις οδηγίες του παρόντος εγχειριδίου. Τηρείτε τα σύμβολα ασφαλείας και τις οδηγίες ασφαλείας. Εάν ο χειριστής δεν τηρεί τις οδηγίες και τα σύμβολα, μπορεί να προκληθεί τραυματισμός, ζημιά ή θάνατος.
- Μην απορρίψετε αυτό το εγχειρίδιο. Χρησιμοποιήστε τις οδηγίες για τη συναρμολόγηση, τη χρήση και τη διατήρηση του προϊόντος σε καλή κατάσταση. Χρησιμοποιήστε τις οδηγίες για τη σωστή εγκατάσταση των εξαρτημάτων και των παρελκόμενων. Να χρησιμοποιείτε μόνο εγκεκριμένα εξαρτήματα και παρελκόμενα.
- Να μην χρησιμοποιείτε προϊόντα που παρουσιάζουν ζημιά. Να τηρείτε το πρόγραμμα συντήρησης. Να εκτελείτε μόνο τις εργασίες συντήρησης που αναφέρονται σε οδηγίες του παρόντος εγχειριδίου. Όλες οι υπόλοιπες εργασίες συντήρησης πρέπει να εκτελούνται από ένα εγκεκριμένο κέντρο σέρβις.
- Το παρόν εγχειρίδιο δεν περιλαμβάνει όλες τις καταστάσεις που μπορεί να προκύψουν κατά τη χρήση του προϊόντος. Να είστε προσεκτικοί και να χρησιμοποιείτε την κοινή λογική. Να μην χρησιμοποιείτε το προϊόν και μην εκτελείτε συντήρηση σε αυτό, εάν δεν είναι σίγουροι για την κατάσταση. Απευθυνθείτε σε έναν ειδικό για το

προϊόν, τον αντιπρόσωπό σας, τον αντιπρόσωπο σέρβις ή ένα εγκεκριμένο κέντρο σέρβις για πληροφορίες.

- Αποσυνδέστε το καλώδιο του μπουζί πριν από τη συναρμολόγηση του προϊόντος, την τοποθέτησή του στην περιοχή αποθήκευσης ή την εκτέλεση εργασιών συντήρησης.
- Μην χρησιμοποιείτε το προϊόν εάν τροποποιηθεί από τις αρχικές του προδιαγραφές. Μην αλλάξετε ένα εξάρτημα του προϊόντος χωρίς έγκριση από τον κατασκευαστή. Χρησιμοποιήστε μόνο εξαρτήματα που έχουν εγκριθεί από τον κατασκευαστή. Λόγω της εσφαλμένης συντήρησης μπορεί να προκληθεί τραυματισμός ή θάνατος.
- Μην αναπνέετε τα καυσαέρια από τον κινητήρα. Η μακροχρόνια εισπνοή αναθυμιάσεων της εξάτμισης του κινητήρα είναι επικίνδυνη για την υγεία.
- Μην θέτετε το προϊόν σε λειτουργία σε εσωτερικό χώρο ή κοντά σε εύφλεκτα υλικά. Οι αναθυμιάσεις της εξάτμισης είναι καυτές και μπορεί να περιέχουν σπινθήρες που μπορεί να προκαλέσουν πυρκαγιά. Η ανεπαρκής ροή αέρα μπορεί να προκαλέσει τραυματισμό ή θάνατο λόγω ασφυξίας ή μονοξειδίου του άνθρακα.
- Όταν χρησιμοποιείτε αυτό το προϊόν, ο κινητήρας δημιουργεί ηλεκτρομαγνητικό πεδίο. Το ηλεκτρομαγνητικό πεδίο μπορεί να προκαλέσει ζημιά στα ιατρικά εμφυτεύματα. Προτού χρησιμοποιήσετε το προϊόν, συμβουλευθείτε το γιατρό σας ή τον κατασκευαστή του ιατρικού εμφυτεύματος.
- Μην επιτρέψετε σε παιδιά να χρησιμοποιήσουν το προϊόν. Μην αφήνετε να χρησιμοποιήσουν το προϊόν άτομα που δεν έχουν διαβάσει τις οδηγίες.
- Φροντίστε να παρακολουθείτε πάντα τα άτομα με μειωμένες σωματικές ή διανοητικές ικανότητες που χρησιμοποιούν το προϊόν. Πρέπει να είναι παρών ένας υπεύθυνος ενήλικας ανά πάσα στιγμή.
- Ασφαλίστε το προϊόν σε σημείο στο οποίο δεν έχουν πρόσβαση παιδιά και μη εγκεκριμένα άτομα.
- Το προϊόν μπορεί να εκτινάξει αντικείμενα και να προκληθούν τραυματισμοί. Τηρείτε τις οδηγίες ασφαλείας για να μειώσετε τον κίνδυνο τραυματισμού ή θανάτου.
- Μην απομακρύνετε από το προϊόν όταν ο κινητήρας είναι σε λειτουργία.
- Ο χειριστής του προϊόντος είναι υπεύθυνος σε περίπτωση ατυχήματος.
- Προτού περπατήσετε και ενώ περπατάτε προς τα πίσω, ελέγξτε πίσω σας και προς τα κάτω μήπως υπάρχουν μικρά παιδιά, ζώα ή άλλοι κίνδυνοι που μπορούν να προκαλέσουν τυχόν πτώση σας.
- Βεβαιωθείτε ότι τα εξαρτήματα δεν έχουν υποστεί ζημιά πριν χρησιμοποιήσετε το προϊόν.
- Βεβαιωθείτε ότι είστε σε απόσταση τουλάχιστον 15 m (50 ft) από άλλα άτομα ή ζώα πριν χρησιμοποιήσετε το προϊόν. Βεβαιωθείτε ότι τυχόν άτομα σε κοντινή περιοχή γνωρίζουν ότι θα χρησιμοποιήσετε το προϊόν.

- Ανατρέξτε στην εθνική ή τοπική νομοθεσία. Μπορεί να εμποδίσει ή να μειώσει τη λειτουργία του προϊόντος σε ορισμένες περιπτώσεις.

## Εκπαίδευση

- Διαβάστε, κατανοήστε και ακολουθήστε όλες τις οδηγίες στο μηχανήμα και στα εγχειρίδια προτού χειριστείτε αυτήν τη μονάδα. Εξοικειωθείτε απόλυτα με τα χειριστήρια και τη σωστή χρήση της συσκευής. Μάθετε πώς να διακόπτετε τη λειτουργία της μονάδας και πώς να αποσυμπλέκετε γρήγορα τα χειριστήρια.
- Μην επιτρέπετε ποτέ σε παιδιά να χρησιμοποιήσουν τη συσκευή. Μην επιτρέπετε ποτέ σε ενήλικες να χρησιμοποιήσουν τον εξοπλισμό αν δεν έχουν λάβει κατάλληλες οδηγίες.
- Μην επιτρέπετε σε άλλα άτομα, ειδικά σε μικρά παιδιά, να πλησιάζουν την περιοχή λειτουργίας.
- Προσέχετε να μην γλιστρήσετε και πέσετε, ειδικά όταν χρησιμοποιείτε το εκχιονιστικό κινούμενο προς τα πίσω.

## Οδηγίες ασφαλείας για τη λειτουργία

- Μην πλησιάζετε τα χέρια ή τα πόδια σας κοντά ή κάτω από κινούμενα μέρη. Διατηρείτε πάντα απόσταση ασφαλείας από το άνοιγμα εξόδου.
- Προσέχετε ιδιαίτερα κατά τη χρήση ή κατά το πέρασμα από δρομάκια, μονοπάτια ή δρόμους με χαλίκια. Παραμείνετε σε εγρήγορση για κρυφούς κινδύνους ή για κίνηση οχημάτων.
- Εάν χτυπήσετε ένα ξένο αντικείμενο, σταματήστε τον κινητήρα (μοτέρ), αφαιρέστε το καλώδιο από το μπουζί, αποσυνδέστε το καλώδιο (στα ηλεκτρικά μοτέρ), εξετάστε προσεκτικά το προϊόν για τυχόν ζημιές και επισκευάστε τις ζημιές προτού χρησιμοποιήσετε ξανά και χρησιμοποιήσετε το προϊόν.
- Αν το προϊόν αρχίσει να δονείται με ασυνήθιστο τρόπο, σβήστε τον κινητήρα (μοτέρ) και ελέγξτε αμέσως για να εντοπίσετε την αιτία. Οι δονήσεις αποτελούν, γενικά, προειδοποίηση για προβλήματα.
- Σβήνετε τον κινητήρα (μοτέρ) όποτε φεύγετε από τη θέση χειρισμού, προτού αποφράξετε το περιβλήμα των ατέρμονων κοχλιών ή τον εκτροπέα του σωλήνα, καθώς και όταν εκτελείτε επισκευές, ρυθμίσεις ή επιθεωρήσεις.
- Κατά τον καθαρισμό, την επισκευή ή τον έλεγχο του προϊόντος, πρέπει να σβήνετε τον κινητήρα και να βεβαιώνετε πως έχουν σταματήσει οι ατέρμονες κοχλίες και όλα τα κινούμενα εξαρτήματα. Αποσυνδέστε το καλώδιο του μπουζί και διατηρήστε το μακριά από το μπουζί, για να αποτρέψετε την ακούσια εκκίνηση του κινητήρα.
- Μην αφήνετε τον κινητήρα να λειτουργεί σε εσωτερικούς χώρους, παρά μόνο κατά την εκκίνηση του και κατά τη μεταφορά του προϊόντος μέσα ή έξω από το κτίριο. Ανοίξτε τις εξωτερικές πόρτες, οι αναθυμιάσεις της εξάτμισης είναι επικίνδυνες.
- Προσέχετε ιδιαίτερα κατά τη λειτουργία σε πρηνή.

- Μην χρησιμοποιείτε ποτέ το προϊόν χωρίς να τοποθετήσετε τα κατάλληλα προστατευτικά και τις λοιπές συσκευές προστασίας στη θέση τους και χωρίς να επιβεβαιώσετε ότι λειτουργούν.
- Μην κατευθύνετε ποτέ τον εκτροπέα του σωλήνα προς ανθρώπους ή προς σημεία όπου μπορεί να προκληθούν υλικές ζημιές. Μην αφήνετε να πλησιάσουν παιδιά ή άλλα άτομα.
- Μην υπερφορτώνετε το προϊόν επιχειρώντας να καθαρίσετε χιόνι με πολύ γρήγορο ρυθμό.
- Μην χρησιμοποιείτε ποτέ το προϊόν με υψηλές ταχύτητες πορείας πάνω σε ολισθηρές επιφάνειες. Πρέπει να κοιτάζετε πίσω σας και να προσέχετε κατά τη λειτουργία με κίνηση προς τα πίσω.
- Διακόπτετε την παροχή ισχύος στους ατέρμονες κοχλίες κατά τη μεταφορά του προϊόντος ή όταν το προϊόν δεν χρησιμοποιείται.
- Χρησιμοποιείτε μόνο εξαρτήματα και παρελκόμενα εγκεκριμένα από τον κατασκευαστή του προϊόντος (όπως αντίβαρα τροχών, αντίβαρα ή καμπίνες).
- Μην χρησιμοποιείτε ποτέ το προϊόν χωρίς καλή ορατότητα ή επαρκή φωτισμό. Να είστε πάντα σίγουροι για το που πατάτε και κρατάτε γερά τις λαβές. Πρέπει πάντα να περπατάτε και όχι να τρέχετε.
- Μην ακουμπάτε ποτέ τον κινητήρα ή την εξάτμιση (σιγαστήρας) όταν καίνε.

## Ασφάλεια στο χώρο εργασίας

- Επιθεωρήστε προσεκτικά την περιοχή όπου θα χρησιμοποιηθεί ο εξοπλισμός και αφαιρέστε όλα τα πατάκια, τα έλκηθρα, τις σανίδες, τα καλώδια και οποιαδήποτε άλλα ξένα αντικείμενα.
- Αποσυμπλέξτε όλους τους συμπλέκτες και επιλέξτε τη νεκρά προτού εκκινήσετε τον κινητήρα (μοτέρ).
- Μην χρησιμοποιείτε το προϊόν χωρίς να φοράτε επαρκή χειμερινά ενδύματα. Αποφεύγετε να φοράτε φαρδιά ρούχα που μπορεί να παγιδευτούν στα κινούμενα εξαρτήματα. Φοράτε παπούτσια που βελτιώνουν το βάδισμα σε ολισθηρές επιφάνειες.
- Πρέπει να χειρίζεστε το καύσιμο με προσοχή, καθώς είναι ιδιαίτερα εύφλεκτο.
  - Χρησιμοποιείτε εγκεκριμένο δοχείο καυσίμου.
  - Μην προσθέτετε ποτέ καύσιμο σε κινητήρα που λειτουργεί ή που καίει.
  - Κάνετε τον εφοδιασμό πάντοτε σε ανοικτούς χώρους με μεγάλη προσοχή. Μη γεμίζετε ποτέ το δοχείο καυσίμου σε εσωτερικό χώρο.
  - Μην γεμίζετε ποτέ τα δοχεία μέσα σε όχημα ή φορητό ή πάνω σε τρέιλερ με πλατφόρμα με πλαστική επένδυση. Πριν από την πλήρωση, πρέπει πάντα να τοποθετείτε τα δοχεία στο έδαφος μακριά από το όχημα.
  - Όταν είναι εφικτό, αφαιρείτε τον εξοπλισμό που κινείται με καύσιμο από το φορητό ή το τρέιλερ και ανεφοδιάστε τον στο έδαφος. Εάν αυτό δεν είναι εφικτό, θα πρέπει να ανεφοδιάζετε τον εν λόγω εξοπλισμό πάνω σε τρέιλερ με φορητό δοχείο και όχι με μάνικα βενζίνης.

- Κρατάτε πάντα το ακροφύσιο σε επαφή με το χείλος της δεξαμενής ή του δοχείου καυσίμου μέχρι να ολοκληρωθεί ο ανεφοδιασμός. Μην χρησιμοποιείτε διάταξη κλειδώματος-ανοίγματος ακροφυσίου.
- Στερεώστε ξανά στη θέση της την τάπα της βενζίνης και σκουπίστε το καύσιμο που τυχόν έχει χυθεί.
- Εάν χυθεί καύσιμο στα ρούχα σας, αλλάξτε τα αμέσως.
- Χρησιμοποιείτε τα καλώδια προέκτασης και τις πρίζες που προδιαγράφονται από τον κατασκευαστή για όλες τις μονάδες με ηλεκτρικό μοτέρ κίνησης ή με ηλεκτρική μίζα.
- Ρυθμίστε το ύψος του περιβλήματος των ατέρμωνων κοχλιών, ώστε να μην έρχεται σε επαφή με επιφάνειες με χαλίκια ή θρυμματισμένες πέτρες.
- Μην επιχειρήσετε ποτέ να κάνετε ρυθμίσεις ενώ λειτουργεί ο κινητήρας (το μοτέρ) (εκτός εάν συνιστάται ρητά από τον κατασκευαστή).
- Φοράτε πάντα γυαλιά ασφαλείας ή προστατευτικά ματιών κατά τη διάρκεια της λειτουργίας ή κατά την εκτέλεση μιας ρύθμισης ή επισκευής, ώστε να προστατεύετε τα μάτια σας από ξένα αντικείμενα που μπορεί να εκτιναχτούν από το μηχάνημα.

## Προσωπικός εξοπλισμός προστασίας

Να χρησιμοποιείτε πάντα σωστό προσωπικό εξοπλισμό προστασίας κατά τη χρήση του προϊόντος. Αυτό περιλαμβάνει, τουλάχιστον, ανθεκτικά παπούτσια, μέσα προστασίας των ματιών και προστατευτικά ακοής. Ο προσωπικός εξοπλισμός προστασίας δεν εξαλείφει τον κίνδυνο τραυματισμού, ωστόσο μπορεί να μειώσει τη σοβαρότητα του τραυματισμού σε περίπτωση ατυχήματος.

- Όταν χρησιμοποιείτε το προϊόν ή εκτελείτε εργασίες συντήρησης ή επισκευής, πρέπει πάντα να φοράτε γυαλιά ασφαλείας ή μέσα προστασίας των ματιών.
- Όταν χρησιμοποιείτε το προϊόν, πρέπει πάντα να φοράτε κατάλληλα χειμερινά ενδύματα.
- Πρέπει να χρησιμοποιείτε πάντα αντιολισθητικές μπότες βαρέως τύπου με καλή υποστήριξη των αστραγάλων ενώ χρησιμοποιείτε το προϊόν.
- Μην φοράτε ποτέ φαρδιά ρούχα που μπορεί να παγιδευτούν σε κινούμενα εξαρτήματα.
- Χρησιμοποιείτε προστατευτικά γάντια, εάν χρειάζεται. Για παράδειγμα, κατά τη σύνδεση, τον έλεγχο ή τον καθαρισμό της λεπίδας.
- Χρησιμοποιήστε πάντα εγκεκριμένη προστασία αυτιών κατά τη χρήση του προϊόντος. Τυχόν θόρυβος για μεγάλο χρονικό διάστημα μπορεί να προκαλέσει θορυβογενή απώλεια ακοής.

## Συσκευές ασφαλείας στο προϊόν

- Βεβαιωθείτε ότι εκτελείτε τακτικά συντήρηση στο προϊόν.
  - Αυξάνεται η διάρκεια ζωής του προϊόντος.
  - Μειώνεται ο κίνδυνος ατυχημάτων.

Ένας εγκεκριμένος αντιπρόσωπος ή ένα εγκεκριμένο κέντρο σέρβις πρέπει να εξετάζει τακτικά το προϊόν για την εκτέλεση ρυθμίσεων ή επισκευών.

- Μην χρησιμοποιείτε προϊόντα με κατεστραμμένο εξοπλισμό προστασίας. Εάν το προϊόν έχει υποστεί ζημιά, απευθυνθείτε σε ένα εγκεκριμένο κέντρο σέρβις.

## Εξάτμιση (σιγαστήρας)

Η εξάτμιση (σιγαστήρας) διατηρεί τα επίπεδα θορύβου στο ελάχιστο και κατευθύνει τις αναθυμιάσεις της εξάτμισης μακριά από το χειριστή.

Μην χρησιμοποιείτε το προϊόν, αν η εξάτμιση (σιγαστήρας) λείπει ή είναι ελαττωματική. Αν η εξάτμιση (σιγαστήρας) είναι ελαττωματική, αυξάνεται το επίπεδο θορύβου και ο κίνδυνος φωτιάς.



**ΠΡΟΕΙΔΟΠΟΙΗΣΗ:** Η εξάτμιση (σιγαστήρας) θερμαίνεται πολύ κατά τη διάρκεια της χρήσης και παραμένει θερμή μετά τη χρήση, καθώς και όταν ο κινητήρας λειτουργεί στο ρελαντί. Προσέχετε όταν κινείστε κοντά σε εύφλεκτα υλικά ή/και αναθυμιάσεις, για να αποφύγετε την εκδήλωση πυρκαγιάς.

## Ασφάλεια καυσίμου



**ΠΡΟΕΙΔΟΠΟΙΗΣΗ:** Προτού χρησιμοποιήσετε το προϊόν, διαβάστε τις παρακάτω προειδοποιητικές οδηγίες.

- Μην θέτετε το προϊόν σε λειτουργία, εάν υπάρχει καύσιμο ή λάδι κινητήρα στο προϊόν. Αφαιρέστε το ανεπιθύμητο καύσιμο/λάδι και αφήστε το προϊόν να στεγνώσει.
- Εάν χύσετε καύσιμο στα ρούχα σας, αλλάξτε τα αμέσως.
- Μην χύσετε καύσιμο στο σώμα σας, καθώς μπορεί να προκληθεί τραυματισμός. Αν χύσετε καύσιμο στο σώμα σας, χρησιμοποιήστε σαπουνι και νερό για να αφαιρέσετε το καύσιμο.
- Μην θέτετε το προϊόν σε λειτουργία, εάν ο κινητήρας έχει διαρροή. Εξετάζετε τακτικά τον κινητήρα για διαρροές.
- Να είστε προσεκτικοί με το καύσιμο. Το καύσιμο είναι εύφλεκτο και οι αναθυμιάσεις είναι εκρηκτικές και μπορούν να προκαλέσουν τραυματισμό ή θάνατο.
- Μην εισπνεύσετε τις αναθυμιάσεις καυσίμου, καθώς μπορεί να προκληθεί τραυματισμός. Βεβαιωθείτε ότι υπάρχει επαρκής ροή αέρα.
- Μην καπνίζετε κοντά στο καύσιμο ή τον κινητήρα.
- Μην τοποθετείτε ζεστά αντικείμενα κοντά στο καύσιμο ή τον κινητήρα.
- Μην προσθέτετε καύσιμο όταν λειτουργεί ο κινητήρας.
- Βεβαιωθείτε ότι ο κινητήρας έχει κρυώσει πριν από τον ανεφοδιασμό.

- Πριν από τον ανεφοδιασμό, ανοίξτε αργά την τάπα του νεπεόζιτου καυσίμου και εκτονώστε προσεκτικά την πίεση.
- Μην προσθέτετε καύσιμο στον κινητήρα σε εσωτερικό χώρο. Η ανεπαρκής ροή αέρα μπορεί να προκαλέσει τραυματισμό ή θάνατο λόγω ασφυξίας ή μονοξειδίου του άνθρακα.
- Να σφίγγετε πλήρως την τάπα του νεπεόζιτου καυσίμου. Αν η τάπα του νεπεόζιτου καυσίμου δεν είναι σφηνωμένη, υπάρχει κίνδυνος πυρκαϊγής.
- Πριν από την εκκίνηση, μετακινήστε το προϊόν σε απόσταση τουλάχιστον 3 m /10 ft από το σημείο όπου γεμίσατε το νεπεόζιτο.
- Μην γεμίζετε ποτέ εντελώς το νεπεόζιτο καυσίμου. Η υψηλή θερμοκρασία προκαλεί διαστολή του καυσίμου. Αφήνετε κενό στο επάνω μέρος του νεπεόζιτου.
- Οι αναθυμιάσεις της εξάτμισης από τον κινητήρα περιέχουν μονοξείδιο του άνθρακα, ένα άοσμο, δηλητηριώδες και ιδιαίτερα επικίνδυνο αέριο. Να μην εκκινείτε τον κινητήρα σε εσωτερικούς ή κλειστούς χώρους.
- Πριν πραγματοποιήσετε συντήρηση στο προϊόν, σβήστε τον κινητήρα και αποσυνδέστε το καλώδιο ανάφλεξης από το μπουζί.
- Όταν εκτελείτε συντήρηση των λεπίδων, πρέπει να χρησιμοποιείτε προστατευτικά γάντια. Οι λεπίδες είναι πολύ κοφτερές και μπορεί εύκολα να κοπείτε.
- Τα αξεσουάρ και οι τροποποιήσεις στο προϊόν που δεν είναι εγκεκριμένες από τον κατασκευαστή, μπορεί να προκαλέσουν σοβαρό τραυματισμό ή θάνατο. Να μην πραγματοποιείτε αλλαγές στο προϊόν. Να χρησιμοποιείτε μόνο εξαρτήματα που έχουν εγκριθεί από τον κατασκευαστή.
- Αν η συντήρηση δεν γίνεται σωστά και τακτικά, αυξάνεται ο κίνδυνος τραυματισμού και ζημιάς στο προϊόν.
- Πρέπει να εκτελείτε μόνο τις εργασίες συντήρησης που περιγράφονται σε αυτό το εγχειρίδιο χρήσης. Όλες οι άλλες εργασίες σέρβις πρέπει να εκτελούνται από εγκεκριμένο αντιπρόσωπο σέρβις.
- Φροντίστε να αναθέτετε τακτικά τη συντήρηση του προϊόντος σε έναν εγκεκριμένο αντιπρόσωπο σέρβις.
- Φροντίστε να αντικαθιστάτε τυχόν κατεστραμμένα, φθαρμένα ή σπασμένα εξαρτήματα.

## Προειδοποίηση για χημικές ουσίες



**ΠΡΟΕΙΔΟΠΟΙΗΣΗ:** Τα καυσαέρια από την εξάτμιση του κινητήρα αυτού του προϊόντος περιέχουν χημικές ουσίες, οι οποίες είναι γνωστό στην Πολιτεία της Καλιφόρνια ότι προκαλούν καρκίνο, γενετικές ανωμαλίες ή άλλες αναπαραγωγικές βλάβες. Για περισσότερες πληροφορίες, επισκεφθείτε τη διεύθυνση [www.P65Warnings.ca.gov](http://www.P65Warnings.ca.gov).

## Οδηγίες ασφαλείας για τη συντήρηση



**ΠΡΟΕΙΔΟΠΟΙΗΣΗ:** Προτού χρησιμοποιήσετε το προϊόν, διαβάστε τις παρακάτω προειδοποιητικές οδηγίες.

## Συναρμολόγηση



**ΠΡΟΕΙΔΟΠΟΙΗΣΗ:** Προτού συναρμολογήσετε το προϊόν, διαβάστε και κατανοήστε το κεφάλαιο για την ασφάλεια.

## Τοποθέτηση των λαβών

1. Αφαιρέστε τις 4 βίδες με φλάντζα M8x25 (A) από το περίβλημα.
2. Χρησιμοποιήστε τις 4 βίδες με φλάντζα M8x25 (A), τους 4 αποστάτες με ελατήριο (B) και τους 4 επίπεδους αποστάτες (C).
3. Τοποθετήστε την κάτω λαβή (D) στις 2 οπές σε κάθε πλευρά του περιβλήματος. (Εικ. 25)
4. Χρησιμοποιήστε τις 3 βίδες M8x50 για την ασφάλιση της λαβής (A), τους 3 αποστάτες (B), τις 3 χειρόβιδες (C) και τα 3 παξιμάδια ασφαλείας (D).
5. Τοποθετήστε την πάνω λαβή με τον πίνακα ελέγχου (E) επάνω στην κάτω λαβή. (Εικ. 26)

## Συναρμολόγηση του εκτροπέα του σωλήνα εκκένωσης

1. Αφαιρέστε τον δίσκο περιστροφής (B) και τις 6 εξαγωνικές βίδες με φλάντζα (D) από το περίβλημα.
2. Στερεώστε το δίσκο περιστροφής (B) και τον εκτροπέα του σωλήνα (A) στη βάση του σωλήνα χρησιμοποιώντας τα 3 μπλοκ περιορισμού (C).
3. Χρησιμοποιήστε τις 6 εξαγωνικές βίδες με φλάντζα (D) και τα 6 παξιμάδια ασφαλείας (E) για να ασφαλίσετε τα μπλοκ περιορισμού (C). (Εικ. 27)

## Συναρμολόγηση του μηχανισμού περιστροφής του σωλήνα

1. Συναρμολογήστε το μπροστινό άκρο του μηχανισμού περιστροφής του σωλήνα.
2. Τοποθετήστε το πλαστικό κουζινέτο (B) στο μπροστινό άκρο του μηχανισμού περιστροφής του σωλήνα.

3. Στερεώστε τον μηχανισμό περιστροφής του σωλήνα με 1 επίπεδο αποστάτη (A) και 1 φουρκέτα (C). (Εικ. 28)
4. Συναρμολογήστε το πίσω άκρο του μηχανισμού περιστροφής του σωλήνα.
5. Χρησιμοποιήστε 1 παξιμάδι ασφαλείας M8 (A), 1 πλαστική χειρόβιδα ασφάλισης (B), 2 καμπυλωτούς αποστάτες (C) και 1 βιδωτό εξάρτημα οριζοντίωσης (D) για να συναρμολογήσετε τον μηχανισμό περιστροφής του σωλήνα.
6. Χρησιμοποιήστε 1 εξαγωνικό παξιμάδι M8 (E) για να στερεώσετε τον μηχανισμό περιστροφής του σωλήνα (F) στις οπές της λαβής. (Εικ. 29)

## Συναρμολόγηση της ράβδου ελέγχου ταχύτητας κίνησης

1. Τοποθετήστε το μακρύ λυγισμένο άκρο της ράβδου ελέγχου ταχύτητας κίνησης (A) στον πίνακα ελέγχου και στερεώστε το με 1 ελατήριο συνδετικής ράβδου (B), 1 επίπεδο αποστάτη (C) και 1 διχαλωτό πείρο ασφαλείας (D). (Εικ. 30)
2. Τραβήξτε προς τα πάνω το έλασμα σύνδεσης του μηχανισμού αλλαγής ταχύτητας (B) και τοποθετήστε το κοντό λυγισμένο άκρο της ράβδου ελέγχου ταχύτητας κίνησης (A). Στερεώστε τη ράβδο ελέγχου

ταχύτητας κίνησης (A) με 1 επίπεδο αποστάτη (C) και 1 διχαλωτό πείρο ασφαλείας (D). (Εικ. 31)

3. Αν χρειάζεται, προεκτείνετε τη ράβδο ελέγχου ταχύτητας κίνησης. Χαλαρώστε τα παξιμάδια ασφαλείας του εντατήρα και στρέψτε τον εντατήρα. Σφίξτε τον εντατήρα ώστε να επανέλθει στην αρχική του θέση για σωστό έλεγχο της ταχύτητας. Η αρχική θέση είναι σημειωμένη πάνω στα σπειρώματα. (Εικ. 32)

## Συναρμολόγηση του ατέρμονα κοχλία και των ντιζών κίνησης

1. Αφαιρέστε τις 2 βίδες στερέωσης (B) από τις ντιζες (D).
2. Τοποθετήστε τις 2 βίδες στερέωσης (B) στις οπές της αριστερής και της δεξιάς λαβής (A). (Εικ. 33)
3. Τοποθετήστε τις ντιζες (D) στις βίδες στερέωσης (B).
4. Συνδέστε και ασφαλίστε στην αριστερή και δεξιά ντιζα το ένθετο του σπειρώματος (D) και τη βίδα στερέωσης (B) μέχρι να ευθυγραμμιστεί το πάνω μέρος του μπρούτζινου παξιμαδιού ασφαλείας (C) με το σημάδι στα σπειρώματα (E).
5. Ασφαλίστε την ντιζα με το μπρούτζινο παξιμάδι ασφαλείας (C).

## Λειτουργία



**ΠΡΟΕΙΔΟΠΟΙΗΣΗ:** Προτού χρησιμοποιήσετε το προϊόν, διαβάστε προσεκτικά και κατανοήστε το κεφάλαιο για την ασφάλεια και τις οδηγίες λειτουργίας.

### Πριν εκκινήσετε το προϊόν

- Φροντίστε να παραμείνουν οι άλλοι άνθρωποι και τα ζώα μακριά από την περιοχή εργασίας.
- Να πραγματοποιείτε ημερήσια συντήρηση. Ανατρέξτε στην ενότητα *Πρόγραμμα συντήρησης στη σελίδα 194*.
- Βεβαιωθείτε ότι το καλώδιο της ανάφλεξης εφαρμόζει σωστά στο μπουζί.
- Προσθέστε λάδι ή βενζίνη, εάν χρειάζεται. Ανατρέξτε στην ενότητα *Γέμισμα του κινητήρα με λάδι στη σελίδα 192*.

### Γέμισμα του κινητήρα με λάδι



**ΠΡΟΣΟΧΗ:** Μην περιστρέφετε το δείκτη στάθμης όταν ελέγχετε το λάδι. Μην γεμίζετε πάνω από το σημάδι.

1. Αφαιρέστε την τάπα του λαδιού και καθαρίστε το δείκτη στάθμης. Ανατρέξτε στην ενότητα *Επισκόπηση προϊόντος στη σελίδα 185* για τη θέση του δείκτη στάθμης.

2. Προσθέστε λάδι μέχρι την πάνω ένδειξη στο δείκτη στάθμης. Χρησιμοποιείτε το δείκτη στάθμης για να ελέγχετε τη στάθμη του λαδιού ανά τακτά χρονικά διαστήματα.
3. Τοποθετήστε ξανά στη θέση της την τάπα του λαδιού.

### Ανεφοδιασμός με καύσιμο

Αν υπάρχει διαθέσιμη, χρησιμοποιήστε βενζίνη χαμηλής εκπομπής καυσαερίων/χαμηλής αλκυλίωσης. Εάν δεν υπάρχει διαθέσιμη βενζίνη χαμηλής εκπομπής καυσαερίων/χαμηλής αλκυλίωσης, χρησιμοποιήστε αμόλυβδη βενζίνη καλής ποιότητας. Εκτός Βόρειας Αμερικής, χρησιμοποιήστε βενζίνη με αριθμό οκτανίων 90 RON (87 (R+M)/2 στη Βόρεια Αμερική) ή μεγαλύτερο και μέγιστη περιεκτικότητα σε αιθανόλη 10% (E10).



**ΠΡΟΣΟΧΗ:** Εκτός Βόρειας Αμερικής δεν πρέπει να χρησιμοποιείτε βενζίνη με αριθμό οκτανίων κάτω από 90 RON (87 (R+M)/2 στη Βόρεια Αμερική). Μπορεί να προκληθεί ζημιά στο προϊόν.

1. Ανοίξτε αργά την τάπα του ντεπόζιτου καυσίμου για να εκτονώσετε την πίεση.
2. Γεμίστε αργά με ένα δοχείο καυσίμων. Αν χύσετε καύσιμο, καθαρίστε το με ένα πανί και αφήστε το καύσιμο που απομένει να στεγνώσει.



- Καθαρίστε την περιοχή γύρω από την τάπα του νεπεόζιτου καυσίμου.
- Να σφίγγετε πλήρως την τάπα του νεπεόζιτου καυσίμου. Αν η τάπα του νεπεόζιτου καυσίμου δεν είναι σφιγμένη, υπάρχει κίνδυνος πυρκαγιάς.
- Πριν από την εκκίνηση, μετακινήστε το προϊόν σε απόσταση τουλάχιστον 3 m (10 ft) από το σημείο όπου γεμίσατε το νεπεόζιτο.

## Ρύθμιση του εκτροπέα του σωλήνα

Η κατεύθυνση προς την οποία θα εκτινάσσεται το χιόνι ελέγχεται από το χειριστήριο του μηχανισμού περιστροφής του σωλήνα, το οποίο βρίσκεται στην αριστερή λαβή.

- Περιστρέψτε το χειριστήριο του μηχανισμού περιστροφής του σωλήνα για να καθορίσετε την κατεύθυνση περιστροφής για την εκτόξευση του χιονιού.
- Για να εκτοξεύεται το χιόνι προς τα δεξιά, περιστρέψτε το χειριστήριο του μηχανισμού περιστροφής του σωλήνα προς τα δεξιά.
- Για να εκτοξεύεται το χιόνι προς τα αριστερά, περιστρέψτε το χειριστήριο του μηχανισμού περιστροφής του σωλήνα προς τα αριστερά. (Εικ. 34)
- Για να ρυθμίσετε την απόσταση εκτόξευσης του χιονιού, μετακινήστε τον εκτροπέα προς τα πάνω ή προς τα κάτω. (Εικ. 35)

## Εκκίνηση του κινητήρα

- Αποσυμπλέξτε τον μηχανισμό μετάδοσης κίνησης. Τοποθετήστε το μοχλό ελέγχου ταχύτητας κίνησης στην πρώτη θέση.
- Γυρίστε το διακόπτη καυσίμου στη θέση ON. (Εικ. 36)
- Γυρίστε το τσοκ στη θέση CLOSE. (Εικ. 37)
- Πιέστε προς τα μέσα το κλειδί ON/OFF στη θέση RUN. (Εικ. 38)
- Πιέστε τη φούσκα πλήρωσης 1-3 φορές για να εκκινηθεί η βοηθητική αντλία. Η βοηθητική αντλία χρησιμοποιείται για ψυχρή εκκίνηση σε χαμηλές θερμοκρασίες. (Εικ. 39)
- Τραβήξτε τη λαβή του συστήματος εκκίνησης με ανατύλιξη. (Εικ. 40)



**ΠΡΟΣΟΧΗ:** Μην αφήσετε αμέσως τη λαβή του συστήματος εκκίνησης με ανατύλιξη. Επαναφέρετέ την αργά στην αρχική θέση.

**Περιεχόμενα** Αν η λαβή του συστήματος εκκίνησης με ανατύλιξη έχει παγώσει, τραβήξτε αργά προς τα έξω όσο το δυνατόν μεγαλύτερο τμήμα του σχοινού και αφήστε τη λαβή του συστήματος εκκίνησης με ανατύλιξη. Αν ο κινητήρας δεν εκκινηθεί,

επαναλάβετε τη διαδικασία ή χρησιμοποιήστε την ηλεκτρική μίζα.

- Αφήστε τον κινητήρα να λειτουργήσει για 30-40 λεπτά στο ρελαντί προτού ξεκινήσετε την εκτόξευση χιονιού.
- Όταν ζεσταθεί ο κινητήρας, μετακινήστε αργά το τσοκ στη θέση OPEN. (Εικ. 41)

## Εκκίνηση του κινητήρα, εκκίνηση με την ηλεκτρική μίζα



**ΠΡΟΕΙΔΟΠΟΙΗΣΗ:** Το προϊόν διαθέτει ηλεκτρική μίζα 230 Volt A.C. Μην χρησιμοποιείτε την ηλεκτρική μίζα, εάν το σπίτι σας δεν διαθέτει σύστημα παροχής ρεύματος 230 Volt A.C. με κατάλληλη γείωση. Μπορεί να προκληθεί σοβαρός τραυματισμός ή ζημιά στο προϊόν. Η ηλεκτρική μίζα διαθέτει τριπολικό φως και έχει σχεδιαστεί για χρήση οικιακής παροχής ρεύματος 230 Volt A.C. Βεβαιωθείτε ότι το σπίτι σας διαθέτει σωστά γειωμένο σύστημα 230 Volt A.C. Εάν δεν είστε βέβαιοι, συμβουλευτείτε έναν επαγγελματία ηλεκτρολόγο.

**Περιεχόμενα** Χρησιμοποιήστε ένα καλώδιο προέκτασης που συνιστάται για εξωτερική χρήση, το οποίο διαθέτει αγωγούς διατομής τουλάχιστον 1,5 mm<sup>2</sup> (16 AWG) και μήκος μικρότερο από 15 m (50 ft).

- Αποσυμπλέξτε τον μηχανισμό μετάδοσης κίνησης. Τοποθετήστε το μοχλό ελέγχου ταχύτητας κίνησης στην πρώτη θέση.
- Γυρίστε το διακόπτη καυσίμου στη θέση ON. (Εικ. 36)
- Γυρίστε το τσοκ στη θέση CLOSE. (Εικ. 37)
- Πιέστε προς τα μέσα το κλειδί ON/OFF στη θέση RUN. (Εικ. 38)
- Πιέστε τη φούσκα πλήρωσης 1-3 φορές για να εκκινηθεί η βοηθητική αντλία. Η βοηθητική αντλία χρησιμοποιείται για ψυχρή εκκίνηση σε χαμηλές θερμοκρασίες. (Εικ. 39)
- Συνδέστε το προϊόν στην παροχή ρεύματος. (Εικ. 42)
- Κρατήστε πατημένο το κουμπι εκκίνησης στο κιβώτιο ελέγχου για 5 δευτερόλεπτα. (Εικ. 43)
- Εάν δεν εκκινηθεί ο κινητήρας, περιμένετε 5 δευτερόλεπτα και μετά πατήστε ξανά το πλήκτρο εκκίνησης.



**ΠΡΟΣΟΧΗ:** Μην επιχειρήσετε να εκκινήσετε τον κινητήρα περισσότερες από 10 φορές. Μετά από τις 10 φορές, περιμένετε 40 λεπτά προτού προσπαθήσετε ξανά.

- Όταν εκκινηθεί ο κινητήρας, αποσυνδέστε το καλώδιο παροχής ρεύματος από το προϊόν.

- Αφήστε τον κινητήρα να λειτουργήσει για 30-40 λεπτά στο ρελαντί προτού ξεκινήσετε την εκτόξευση χιονιού.
- Όταν ζεσταθεί ο κινητήρας, μετακινήστε αργά το τσοκ στη θέση OPEN. (Εικ. 41)

## Λειτουργία του προϊόντος

- Πιέστε το χειριστήριο σύμπλεξης του ατέρμονα κοχλία προς τη λαβή για να συμπλέξετε τον ατέρμονα κοχλία και να ξεκινήσει η εκτόξευση χιονιού. (Εικ. 44)
- Για να χειριστείτε το προϊόν με κίνηση προς τα εμπρός, μετακινήστε το μοχλό ελέγχου ταχύτητας κίνησης προς τα αριστερά. Για να χειριστείτε το προϊόν με κίνηση προς τα πίσω, μετακινήστε το μοχλό ελέγχου ταχύτητας κίνησης προς τα δεξιά. (Εικ. 45)
- Ελέγξτε τη σύμπλεξη του μηχανισμού μετάδοσης κίνησης με τη δεξιά λαβή.
- Πιέστε το χειριστήριο σύμπλεξης του μηχανισμού μετάδοσης κίνησης προς τη λαβή για να γίνει η σύμπλεξη των κινητήριων τροχών. Το προϊόν κινείται προς τα εμπρός ή προς τα πίσω ανάλογα με τη θέση του μοχλού ελέγχου ταχύτητας κίνησης. (Εικ. 46)

## Διακοπή λειτουργίας του προϊόντος

**Περιεχόμενα** Για να σβήσετε τον κινητήρα σε περίπτωση έκτακτης ανάγκης, τραβήξτε έξω το κλειδί ON/OFF.

- Αποσυνδέστε τον μηχανισμό μετάδοσης κίνησης για να σταματήσετε τους κινητήριους τροχούς.
- Αποσυνδέστε τον ατέρμονα κοχλία για να σταματήσει η κίνησή του και η εκτόξευση χιονιού. (Εικ. 47)

- Γυρίστε το διακόπτη καυσίμου στη θέση OFF. (Εικ. 48)
- Τραβήξτε έξω το κλειδί ON/OFF. (Εικ. 49)

## Για ένα καλό αποτέλεσμα

- Πρέπει πάντα να χρησιμοποιείτε τον κινητήρα με τέρμα το γκάζι ή με σχεδόν τέρμα το γκάζι.
- Πρέπει πάντα να προσαρμόζετε την ταχύτητα του προϊόντος ανάλογα με την κατάσταση του χιονιού χρησιμοποιώντας το μοχλό ελέγχου ταχύτητας πορείας. Πρέπει να βεβαιώνεστε ότι το προϊόν εκκινάσει το χιόνι ομοιόμορφα.
- Είναι ευκολότερο και πιο αποτελεσματικό να απομακρύνετε το χιόνι αμέσως μόλις πέσει κάτω.
- Το χιόνι πρέπει πάντα να εκτοξεύεται προς την κατεύθυνση του ανέμου, όποτε αυτό είναι εφικτό.
- Σε επίπεδες επιφάνειες, όπως οι ασφαλτοστρωμένοι δρόμοι, ανασηκώστε τις γλίστρες σε απόσταση έως 5-6 mm (0,2-0,25 ίντσες) από το έδαφος.
- Η μπάρα απόξεσης είναι αναστρέψιμη. Όταν φθαρεί σχεδόν έως το άκρο του περιβλήματος, γυρίστε την από την άλλη πλευρά. Εάν η μπάρα απόξεσης υποστεί ζημιά ή φθαρεί και από τις δύο πλευρές, αντικαταστήστε την.
- Μην προωθείτε τον εκτροπέα του σωλήνα, εάν έχει φράξει.
- Εάν το προϊόν δεν μπορεί να κινηθεί προς τα εμπρός λόγω απρόβλεπτων περιστάσεων, αφήστε αμέσως το μοχλό σύμπλεξης του μηχανισμού κίνησης ή μετακινήστε το κλειδί ON/OFF στη θέση OFF.

## Συντήρηση

### Πρόγραμμα συντήρησης

Συντήρηση	Καθημερινά	20 ώρες	50 ώρες	100 ώρες
Βεβαιωθείτε ότι τα παξιμάδια και οι βίδες είναι σφιγμένα	X			
Ελέγξτε τη στάθμη λαδιού του κινητήρα	X			
Αντικαταστήστε το λάδι <sup>67</sup>		X	X	X
Βεβαιωθείτε ότι δεν υπάρχουν διαρροές καυσίμου ή λαδιού	X			

<sup>67</sup> Αντικαταστήστε το λάδι μετά τις πρώτες 20 ώρες, 50 ώρες, 100 ώρες και, στη συνέχεια, κάθε 100 ώρες.

Συντήρηση	Καθημερινά	20 ώρες	50 ώρες	100 ώρες
Αφαιρέστε οποιαδήποτε ξένα αντικείμενα φράσσουν τον ατέρμονα κοχλία	X			
Ελέγξτε την πίεση των ελαστικών <sup>68</sup>			X	
Επιθεωρήστε και αλλάξτε το μπουζί <sup>69</sup>				X

**Περιεχόμενα** Δεν χρειάζεται να προσθέσετε γράσο ή να κάνετε άλλη συντήρηση στο κιβώτιο ταχυτήτων.

## Εκτέλεση γενικής επιθεώρησης

- Βεβαιωθείτε ότι όλα τα παξιμάδια και οι βίδες πάνω στο προϊόν είναι σφιγμένα σωστά.

## Έλεγχος της στάθμης λαδιού



**ΠΡΟΣΟΧΗ:** Το πολύ χαμηλό επίπεδο λαδιού μπορεί να προκαλέσει βλάβη στον κινητήρα. Να κάνετε έλεγχο της στάθμης λαδιού πριν από την εκκίνηση του προϊόντος.

- Τοποθετήστε το προϊόν σε οριζόντιο έδαφος.
- Αφαιρέστε το καπάκι του ντεπόζιτου λαδιού με τον συνδεδεμένο δείκτη στάθμης.
- Καθαρίστε το λάδι από το δείκτη στάθμης.
- Τοποθετήστε το δείκτη στάθμης πλήρως μέσα στο ντεπόζιτο λαδιού για να έχετε μια σωστή εικόνα της στάθμης λαδιού.
- Αφαιρέστε το δείκτη στάθμης.
- Εξετάστε τη στάθμη λαδιού πάνω στο δείκτη στάθμης.
- Αν η στάθμη του λαδιού είναι χαμηλή, συμπληρώστε με λάδι κινητήρα και ελέγξτε ξανά τη στάθμη λαδιού.

## Αντικατάσταση λαδιού του κινητήρα

- Αφήστε τον κινητήρα να λειτουργήσει για μερικά λεπτά για να ζεσταθεί το λάδι. Το ζεστό λάδι ρέει καλύτερα και μεταφέρει περισσότερους ρύπους.



**ΠΡΟΕΙΔΟΠΟΙΗΣΗ:** Το λάδι του κινητήρα είναι καυτό. Αποφεύγετε την επαφή του χρησιμοποιημένου λαδιού του κινητήρα με το δέρμα.

- Τοποθετήστε το προϊόν σε οριζόντιο έδαφος.
- Αφήστε τον κινητήρα να λειτουργήσει μέχρι να ξανατληθεί όλο το καύσιμα.

- Αφαιρέστε το κλειδί της ανάφλεξης.
- Τοποθετήστε ένα δοχείο κάτω από την τάπα αποστράγγισης λαδιού.
- Αφαιρέστε την τάπα αποστράγγισης λαδιού, γείρετε το προϊόν προς τα πίσω και αδειάστε το χρησιμοποιημένο λάδι μέσα στο δοχείο. (Εικ. 50)
- Επαναφέρετε το προϊόν στη θέση λειτουργίας.
- Τοποθετήστε την τάπα αποστράγγισης λαδιού και σφίξτε τη καλά με το χέρι.
- Γεμίστε τον κινητήρα με λάδι, βλ. *Γέμισμα του κινητήρα με λάδι στη σελίδα 192.*

## Για να εξετάσετε το μπουζί



**ΠΡΟΣΟΧΗ:** Χρησιμοποιείτε πάντα τον συνιστώμενο τύπο μπουζί. Η χρήση λάθος τύπου μπουζί μπορεί να προκαλέσει ζημιά στο προϊόν.

- Αν ο κινητήρας έχει χαμηλή ισχύ, δεν εκκινείται εύκολα ή δεν λειτουργεί σωστά στο ρελαντί, ελέγξτε το μπουζί.
- Για να μειώσετε τον κίνδυνο συσσώρευσης ανεπιθύμητων υλικών στα ηλεκτρόδια του μπουζί, ακολουθήστε τις παρακάτω οδηγίες:
  - Βεβαιωθείτε ότι οι στροφές ανά λεπτό ρελαντί έχουν ρυθμιστεί σωστά.
  - Βεβαιωθείτε ότι ο τύπος του καυσίμου είναι σωστός.
  - Βεβαιωθείτε ότι το φίλτρο αέρα είναι καθαρό.
- Αν το μπουζί είναι βρώμικο, καθαρίστε το και βεβαιωθείτε ότι το διάκενο του ηλεκτροδίου είναι σωστό, ανατρέξτε στην ενότητα *Τεχνικά στοιχεία στη σελίδα 200.* (Εικ. 51)
- Αν χρειάζεται, αντικαταστήστε το μπουζί.

## Επιθεώρηση των ατέρμονων κοχλιών και της μπάρας απόξεσης

- Πριν από κάθε χρήση, πρέπει να επιθεωρείτε τους ατέρμονες κοχλίες και την μπάρα απόξεσης για φθορά.

<sup>68</sup> Για τη σωστή πίεση των ελαστικών, ανατρέξτε στην ενότητα *Τεχνικά στοιχεία.*

<sup>69</sup> Πρέπει να ελέγχετε και να καθαρίζετε το μπουζί πριν τη χρήση κάθε χρόνο.

- Εάν το άκρο της μπάρας απόξεσης έχει φθαρεί, γυρίστε τη μπάρα απόξεσης από την άλλη πλευρά. Αν η μπάρα απόξεσης έχει υποστεί ζημιά ή έχει φθαρεί και στα δύο άκρα, αντικαταστήστε την.
- Εάν τα άκρα των ατέρμωνων κοχλιών έχουν φθαρεί, επικοινωνήστε με ένα εξουσιοδοτημένο κέντρο σέρβις για να τα αντικαταστήσετε.

## Ρύθμιση για τις γλίστρες

Οι γλίστρες εμποδίζουν την πρόκληση ζημιάς στο κάτω μέρος του εκχιονιστικού. Ρυθμίστε τις γλίστρες (Α) όταν το ασφαλιστικό παξιμάδι (Β) είναι χαλαρό, διαφορετικά οι γλίστρες δεν θα βρίσκονται στη σωστή απόσταση από το έδαφος. Δεν απαιτείται καμία ρύθμιση για την κανονική εγκατάσταση.

- Χαλαρώστε το ασφαλιστικό παξιμάδι (Β) με ένα γερμανικό κλειδί 13 mm (½").
- Μετακινήστε τις γλίστρες (Α) προς τα πάνω ή προς τα κάτω.
  - Σε επίπεδες επιφάνειες, ρυθμίστε την απόσταση της μπάρας απόξεσης από το έδαφος στα 5-6 mm (0,2-0,25").
  - Σε τραχιές επιφάνειες, ρυθμίστε τις γλίστρες (Α) σε κατάλληλη θέση, ώστε η μπάρα απόξεσης να βρίσκεται ψηλότερα από το πάνω άκρο του εδάφους.



**ΠΡΟΕΙΔΟΠΟΙΗΣΗ:** Βεβαιωθείτε ότι δεν εισέρχονται στο προϊόν χαλίκια και πέτρες. Τα αντικείμενα που εκτοξεύονται με μεγάλη ταχύτητα μπορεί να προκαλέσουν τραυματισμό.

- Σφίξτε το ασφαλιστικό παξιμάδι (Β). (Εικ. 52)

## Αντικατάσταση του πείρου διάτμησης

Ο πείρος διάτμησης προστατεύει το προϊόν από ζημιές. Σπάει εάν εισχωρήσει κάποιο ξένο σώμα στα κινούμενα εξαρτήματα.

- Εάν σπάσει ο πείρος διάτμησης, σβήστε τον κινητήρα.
- Τοποθετήστε καινούργιο πείρο διάτμησης (Α) και καινούργιο ελατήριο σύσφιξης (Β). (Εικ. 53)

## Έλεγχος των ελαστικών

- Πρέπει να φροντίζετε να μην πέσει καύσιμο, λάδι ή άλλη χημική ουσία πάνω στα ελαστικά, για να μην προκληθεί ζημιά στο καουτσούκ.
- Μην πλησιάζετε τα ελαστικά σε κορμούς ριζών δέντρων, πέτρες, χαντάκια, αιχμηρά αντικείμενα και άλλα σώματα που μπορεί να προκαλέσουν ζημιά στα ελαστικά.
- Διατηρείτε τα ελαστικά στη σωστή πίεση, βλ. *Τεχνικά στοιχεία στη σελίδα 200*.

## Καθαρισμός φραγμένου εκτροπέα του σωλήνα εκτόξευσης

Μην αποφράξετε τον εκτροπέα του σωλήνα εκτόξευσης προτού εκτελέσετε τις παρακάτω διαδικασίες.

- Αφήστε ταυτόχρονα το μοχλό σύμπλεξης των ατέρμωνων κοχλιών και το μοχλό σύμπλεξης του μηχανισμού κίνησης.
- Περιμένετε 10 δευτερόλεπτα για να βεβαιωθείτε ότι οι ατέρμονοι κοχλίες έχουν σταματήσει.
- Διακόψτε τη λειτουργία του προϊόντος.
- Χρησιμοποιήστε το εργαλείο καθαρισμού (μήκους τουλάχιστον 37 cm (15"), περιλαμβάνεται σε ορισμένα μοντέλα) για να αφαιρέσετε το υλικό που προκαλεί το φράξιμο.



**ΠΡΟΕΙΔΟΠΟΙΗΣΗ:** Μην βάζετε τα χέρια σας μέσα στον εκτροπέα του σωλήνα εκτόξευσης ή μέσα στον κάδο των ατέρμωνων κοχλιών.

## Καθαρισμός του προϊόντος

- Καθαρίζετε τα πλαστικά εξαρτήματα με καθαρό και στεγνό πανί.
- Μην χρησιμοποιείτε σύστημα πλύσης με υψηλή πίεση για να καθαρίσετε το προϊόν.
- Μην ρίχνετε νερό απευθείας επάνω στον κινητήρα.
- Χρησιμοποιήστε μια βούρτσα για να αφαιρέσετε φύλλα, γρασίδι και ακαθαρσίες.

## Αντιμετώπιση προβλημάτων

### Αντιμετώπιση προβλημάτων

Πρόβλημα	Πιθανή αιτία	Λύση
Το προϊόν δεν εκκινείται	Το κλειδί ασφαλείας δεν έχει τοποθετηθεί στο διακόπτη ανάφλεξης.	Τοποθετήστε το κλειδί ασφαλείας στο διακόπτη ανάφλεξης.
	Το καύσιμο στο προϊόν έχει εξαντληθεί.	Γεμίστε το ντεπόζιτο καυσίμου με καινούργια, καθαρή βενζίνη.
	Το κλειδί ON/OFF βρίσκεται στη θέση OFF.	Μετακινήστε το κλειδί ON/OFF στη θέση ON.
	Το τσοκ είναι στη θέση απενεργοποίησης (CLOSE).	Μετακινήστε το τσοκ στη θέση ενεργοποίησης (FULL, OPEN).
	Δεν έχετε πιέσει τη φούσκα πλήρωσης.	Πιέστε τη φούσκα πλήρωσης.
	Ο κινητήρας έχει υπερχειλίσει.	Περιμένετε λίγα λεπτά προτού επανεκκινήσετε τον κινητήρα. ΜΗΝ διοχετεύσετε καύσιμο στον κινητήρα.  Επανεκκινήστε τον κινητήρα με τέρμα το γκάζι και το τσοκ στη θέση απενεργοποίησης (CLOSE).
	Δεν έχει συνδεθεί το καλώδιο του μπουζί.	Συνδέστε το καλώδιο στο μπουζί.
	Το μπουζί είναι ελαττωματικό.	Αντικαταστήστε το μπουζί.
	Υπάρχει νερό στο καύσιμο ή το καύσιμο είναι πολύ παλιό.	Αδειάστε το ντεπόζιτο καυσίμου και το καρμπυρατέρ. Γεμίστε το ντεπόζιτο καυσίμου με καινούργια, καθαρή βενζίνη.
	Υπάρχουν ατμοί παγιδευμένοι στη γραμμή καυσίμου.	Βεβαιωθείτε ότι ολόκληρη η γραμμή καυσίμου βρίσκεται χαμηλότερα από το στόμιο εξόδου του ντεπόζιτου καυσίμου. Η γραμμή καυσίμου θα πρέπει να έχει συνεχή κλίση προς τα κάτω από το ντεπόζιτο καυσίμου έως το καρμπυρατέρ.
	Άλλες αιτίες.	Τηρείτε προσεκτικά τις διαδικασίες εκκίνησης που περιγράφονται σε αυτό το εγχειρίδιο.
	Ο διακόπτης καυσίμου (εάν υπάρχει) βρίσκεται στη θέση CLOSE (OFF).	Γυρίστε το διακόπτη καυσίμου στη θέση OPEN (ενεργοποίηση).
Το χειριστήριο του γκαζιού βρίσκεται στη θέση STOP.	Μετακινήστε το χειριστήριο του γκαζιού στη θέση FAST.	

Πρόβλημα	Πιθανή αιτία	Λύση
Μειωμένη ισχύς	Δεν έχει συνδεθεί το καλώδιο του μπουζί.	Συνδέστε το καλώδιο στο μπουζί.
	Το προϊόν εκτοξεύει πάρα πολύ χιόνι.	Μειώστε την ταχύτητα και το πλάτος του διαδρόμου κίνησης.
	Η τάπα του ντεπόζιτου καυσίμου είναι καλυμμένη με πάγο ή χιόνι.	Απομακρύνετε τον πάγο και το χιόνι από την τάπα του ντεπόζιτου καυσίμου και από την περιοχή γύρω από αυτήν.
	Η εξάτμιση (σιγαστήρας) έχει βρομίσει ή φράξει.	Καθαρίστε ή αντικαταστήστε την εξάτμιση (σιγαστήρας).
	Ακατάλληλο μήκος ντίζας.	Ρυθμίστε την ντίζα.
	Η εξάτμιση (σιγαστήρας) έχει φράξει.	Βεβαιωθείτε ότι ο κινητήρας είναι κρύος. Απομακρύνετε την αιτία της έμφραξης.
	Η εισαγωγή αέρα στο καρμπυρατέρ έχει φράξει.	Βεβαιωθείτε ότι ο κινητήρας είναι κρύος. Απομακρύνετε την αιτία της έμφραξης.
Ο κινητήρας λειτουργεί στο ρελαντί ή μη ομαλά	Το τσοκ είναι στη θέση ενεργοποίησης (FULL, OPEN).	Μετακινήστε το τσοκ στη θέση απενεργοποίησης (CLOSE).
	Η γραμμή καυσίμου έχει φράξει.	Καθαρίστε τη γραμμή καυσίμου.
	Υπάρχει νερό στο καύσιμο ή το καύσιμο είναι πολύ παλιό.	Αδειάστε το ντεπόζιτο καυσίμου και το καρμπυρατέρ. Γεμίστε το ντεπόζιτο καυσίμου με καινούργια, καθαρή βενζίνη.
	Το καρμπυρατέρ πρέπει να αντικατασταθεί.	Επικοινωνήστε με ένα εξουσιοδοτημένο κέντρο σέρβις.
	Ο ιμάντας είναι τεντωμένος.	Αντικαταστήστε τον τραπεζοειδή ιμάντα των ατέρμωνων κοχλιών.
Υπερβολικές δονήσεις/ κινήσεις της λαβής	Κάποια εξαρτήματα δεν είναι σφιγμένα. Οι ατέρμονοι κοχλίες έχουν υποστεί ζημιά.	Σφίξτε όλους τους σφιγκτήρες. Αντικαταστήστε τα εξαρτήματα που έχουν υποστεί ζημιά. Εάν οι δονήσεις παραμένουν, επικοινωνήστε με ένα εξουσιοδοτημένο κέντρο σέρβις.
	Οι λαβές δεν έχουν τοποθετηθεί σωστά.	Βεβαιωθείτε ότι οι λαβές έχουν ασφαλίσει στη θέση τους.
	Τα παξιμάδια του μοχλού ρύθμισης είναι χαλαρά.	Σφίξτε τα παξιμάδια μέχρι να νιώσετε ότι η λαβή είναι ασφαλής.
Το τράβηγμα της λαβής του συστήματος εκκίνησης με ανατύλιξη γίνεται με δυσκολία	Η λαβή του συστήματος εκκίνησης με ανατύλιξη έχει παγώσει.	Τραβήξτε αργά προς τα έξω όσο το δυνατόν μεγαλύτερο τμήμα του σχοινιού εκκίνησης και αφήστε τη λαβή. Αν ο κινητήρας δεν εκκινήσει, επαναλάβετε τη διαδικασία ή χρησιμοποιήστε την ηλεκτρική μίζα.
	Το σχοινί ακουμπά σε εξαρτήματα.	Το σχοινί του συστήματος εκκίνησης με ανατύλιξη δεν πρέπει να έρχεται σε επαφή με ντίζες ή εύκαμπτους σωλήνες.

Πρόβλημα	Πιθανή αιτία	Λύση
Απώλεια ελκτικής πρόσφυσης/μείωση της ταχύτητας πορείας  Μηδενική ή πιο αργή εκτόξευση χιονιού	Ο ιμάντας γλιστρά.	Ρυθμίστε την ντίζα. Ρυθμίστε τον ιμάντα.
	Ο ιμάντας είναι φθαρμένος.	Ελέγξτε/αντικαταστήστε τον ιμάντα.
	Ο ιμάντας έχει βγει από την τροχαλία.	Ελέγξτε/επιναποθετήστε τον ιμάντα.
	Ο εκτροπέας του σωλήνα είναι φραγμένος.	Καθαρίστε τον εκτροπέα του σωλήνα.
	Υπάρχουν ξένα αντικείμενα που εμποδίζουν τους ατέρμονες κοχλίες.	Αφαιρέστε τα υπολείμματα ή το ξένο αντικείμενο από τους ατέρμονες κοχλίες.
	Ο πείρος διάτμησης έχει κοπεί.	Αντικαταστήστε τον κομμένο πείρο διάτμησης.
	Υπερβολική συσσώρευση χιονιού και πάγου ανάμεσα στα εξαρτήματα ρύθμισης της πορείας.	Αφαιρέστε το συσσωρευμένο χιόνι και τον πάγο που υπάρχει ανάμεσα στα εξαρτήματα ρύθμισης της πορείας.
	Ο κινητήριος τροχός έχει φθαρεί.	Επικοινωνήστε με ένα εξουσιοδοτημένο κέντρο σέρβις.
Ο ατέρμονας κοχλίας δεν περιστρέφεται όταν αφήνετε τη λαβή	Ο ιμάντας μετάδοσης κίνησης δεν είναι ευθυγραμμισμένος.	Ρυθμίστε τον ιμάντα μετάδοσης κίνησης.
	Ο εκτροπέας εκτόξευσης δεν είναι ευθυγραμμισμένος.	Ρυθμίστε τον εκτροπέα εκτόξευσης.
Τα φώτα δεν ανάβουν (εάν υπάρχουν)	Ο κινητήρας δεν βρίσκεται σε λειτουργία.	Εκκινήστε τον κινητήρα.
	Η σύνδεση του καλωδίου έχει χαλαρώσει.	Ελέγξτε τις συνδέσεις των καλωδίων στον κινητήρα και στα φώτα.
	Η λυχνία LED έχει καεί.	Αντικαταστήστε τη μονάδα λυχνιών LED. Δεν υπάρχει δυνατότητα αντικατάστασης μεμονωμένων λυχνιών LED.
Ο μηχανισμός περιστροφής του σωλήνα κινείται με δυσκολία	Υπάρχουν υπολείμματα υλικών στο μηχανισμό περιστροφής του σωλήνα.	Καθαρίστε τα εσωτερικά εξαρτήματα του μηχανισμού περιστροφής του σωλήνα.
	Οι ντίζες έχουν τσακίσει ή έχουν υποστεί ζημιά.	Βεβαιωθείτε ότι οι ντίζες δεν έχουν τσακίσει. Αντικαταστήστε τις ντίζες που έχουν υποστεί ζημιά.
Το προϊόν γυρίζει προς τη μία πλευρά	Η πίεση δεν είναι ίση σε όλα τα ελαστικά.	Ρυθμίστε την πίεση και φουσκώστε τα ελαστικά.
	Το προϊόν κινείται με ένα μόνο τροχό.	Επιθεωρήστε τον πείρο ασφάλισης.
	Ανομοιόμορφη ρύθμιση του έλκθρου.	Ρυθμίστε τις γλίστρες και το έλκθρο.
	Ανομοιόμορφη ρύθμιση στις γλίστρες.	Ρυθμίστε τις γλίστρες και το έλκθρο.

## Μεταφορά, αποθήκευση και απόρριψη

### Μεταφορά και αποθήκευση

- Για την αποθήκευση και τη μεταφορά του προϊόντος και του καυσίμου, βεβαιωθείτε ότι δεν υπάρχουν διαρροές ή αναθυμιάσεις. Τυχόν σπινθήρες ή ακάλυπτες φλόγες, για παράδειγμα από ηλεκτρικές συσκευές ή λέβητες, μπορεί να προκαλέσουν πυρκαγιά.
- Να χρησιμοποιείτε πάντα εγκεκριμένα δοχεία για την αποθήκευση και τη μεταφορά των καυσίμων.
- Να αδειάζετε το νεπεόζιτο καυσίμου πριν την αποθήκευση του προϊόντος για μεγάλο χρονικό διάστημα.
- Εάν το δοχείο καυσίμου του καρμπυρατέρ διαθέτει τάπα αποστράγγισης, αδειάστε το καύσιμο από το καρμπυρατέρ προτού αποθηκεύσετε το προϊόν για μεγάλο χρονικό διάστημα.
- Να στερεώνετε με ασφάλεια το προϊόν κατά τη μεταφορά για να αποφύγετε βλάβες και ατυχήματα.

- Να διατηρείτε το προϊόν σε μια κλειδωμένη περιοχή για να αποτρέψετε την πρόσβαση σε παιδιά ή μη εγκεκριμένα άτομα.
- Να διατηρείτε το προϊόν σε μια περιοχή στεγνή και χωρίς πάγο.

### Απόρριψη

- Πρέπει να συμμορφώνεστε με τις σχετικές τοπικές απαιτήσεις και τους ισχύοντες κανονισμούς.
- Όλα τα χημικά προϊόντα, όπως το λάδι του κινητήρα ή το καύσιμο, πρέπει να απορρίπτονται σε ένα κέντρο σέρβις ή σε κατάλληλη τοποθεσία απόρριψης.
- Απορρίψτε το προϊόν σε εγκεκριμένη τοποθεσία απόρριψης ή στείλτε το στην Husqvarna για απόρριψη.

## Τεχνικά στοιχεία

### Τεχνικά στοιχεία

	ST 124
<b>Διαστάσεις</b>	
Βάρος με κενά νεπεόζιτα, kg	76
Μέγ. πίεση λειτουργίας ελαστικών, PSI	20
Ύψος εισαγωγής, cm	53,3
Πλάτος εργασίας, cm	61
<b>Κινητήρας</b>	
Επωνυμία	Husqvarna
Ονομαστική απόδοση ισχύος κινητήρα, kW	4.3
Κυβισμός, cc	212
Τύπος καυσίμου	Κανονική αμόλυβδη (μέγιστο 10% αιθανόλη)
Χωρητικότητα καυσίμου, gal/l	0,58/2,2
Τύπος λαδιού (API SJ-SN)	SAE 5W30 (κάτω από 0 °C (32 °F))
Χωρητικότητα λαδιού fl. oz./l	20/0,6
<b>Ηλεκτρικό σύστημα</b>	
Μπουζί	F7RTC
Διάκενο ηλεκτροδίων μπουζί (ιντσες/mm)	0,027–0,031/0,7–0,8



	<b>ST 124</b>
<b>Εκπομπές θορύβου</b> <sup>70</sup>	
Στάθμη ηχητικής ισχύος, μετρούμενη τιμή dB(A)	100
Εγγυημένη στάθμη ηχητικής ισχύος L <sub>WA</sub> dB(A)	102
<b>Στάθμες ήχου</b> <sup>71</sup>	
Στάθμη ηχητικής πίεσης στο αυτί του χειριστή, μετρημένη L <sub>PA</sub> dB(A)	86
<b>Επίπεδα κραδασμών, a<sub>hw</sub></b> <sup>72</sup>	
Επίπεδο κραδασμών στη λαβή, αριστερά/δεξιά	4,15/4,08

<sup>70</sup> Οι εκπομπές θορύβου στο περιβάλλον, οι οποίες μετρούνται ως ηχητική ισχύς (L<sub>WA</sub>), σε συμμόρφωση με τις οδηγίες 2000/14/EK και 2005/88/EK. Τα καταγεγραμμένα στοιχεία για τις εκπομπές θορύβου έχουν τυπική στατιστική διασπορά (τυπική απόκλιση) 1,5 dB(A). Αβεβαιότητα=1,5 dB(A)

<sup>71</sup> Στάθμη πίεσης θορύβου σύμφωνα με το πρότυπο EN 11201. Τα καταγεγραμμένα στοιχεία για τη στάθμη πίεσης θορύβου έχουν τυπική στατιστική διασπορά (τυπική απόκλιση) της τάξης του 1,5 dB(A). Αβεβαιότητα=1,5 dB(A)

<sup>72</sup> Επίπεδο κραδασμών σύμφωνα με το πρότυπο ISO 8437-4 Παράρτημα Β. Αβεβαιότητα=1,5 m/s<sup>2</sup>

## Δήλωση Συμμόρφωσης ΕΚ

### ΠΕΡΙΕΧΟΜΕΝΑ ΤΗΣ ΔΗΛΩΣΗΣ ΣΥΜΜΟΡΦΩΣΗΣ ΕΚ

Εμείς, η Husqvarna, SE-561 82 Huskvarna, ΣΟΥΗΔΙΑ, δηλώνουμε με αποκλειστική μας ευθύνη ότι το απεικονιζόμενο προϊόν:

<b>Περιγραφή</b>	<b>Εκτοξευτήρας χιονιού</b>
Μάρκα	Husqvarna
Πλατφόρμα / Τύπος / Μοντέλο	ST 124
Παρτίδα	Αριθμός σειράς με ημερομηνία 2020 και μεταγενέστερη

συμμορφώνεται πλήρως με τις ακόλουθες οδηγίες και τους κανονισμούς της ΕΕ:

<b>Οδηγία/Κανονισμός</b>	<b>Περιγραφή</b>
2006/42/ΕΚ	"σχετικά με τα μηχανήματα"
2014/30 /ΕΕ	"σχετικά με την ηλεκτρομαγνητική συμβατότητα"
2000/14/ΕΚ, 2005/88/ΕΚ	"σχετικά με τον θόρυβο σε εξωτερικούς χώρους"
2011/65/ΕΕ	"περιορισμό της χρήσης ορισμένων επικίνδυνων ουσιών"

Τα εναρμονισμένα πρότυπα ή/και οι τεχνικές προδιαγραφές που εφαρμόζονται είναι τα εξής: EN ISO 12100:2010, EN ISO 14982:2009, ISO 8437-1:2019, ISO 8437-2:2019, ISO 8437-4:2019, ISO 3744:1995, EN 1032:2003+A1:2008, EN 50581:2012

Σύμφωνα με τις οδηγίες 2000/14/ΕΚ + 2005/88/ΕΚ Παράρτημα V, οι δηλωθείσες τιμές για τον ήχο αναφέρονται στην ενότητα Τεχνικά στοιχεία αυτού του εγχειριδίου και στην υπογεγραμμένη Δήλωση συμμόρφωσης ΕΚ.

Το παρεχόμενο εκχιονιστικό είναι σύμφωνο με το δείγμα που υποβλήθηκε σε έλεγχο.

Εξ ονόματος της Husqvarna AB, SE-561 82 Huskvarna, ΣΟΥΗΔΙΑ, 7/2/2020



Claes Losdal

Υπεύθυνο άτομο για την κατάρτιση των τεχνικών αρχείων σύμφωνα με τις απαιτήσεις της ΕΕ

---

# TARTALOMJEGYZÉK

---

Bevezető.....	203	Hibaelhárítás.....	214
Biztonság.....	204	Szállítás, tárolás és ártalmatlanítás.....	216
Összeszerelés.....	209	Műszaki adatok.....	217
Működés.....	210	EK megfelelőségi nyilatkozat.....	219
Karbantartás.....	212		

---

## Bevezető

---

### A termék áttekintése

(ábra 1)

1. Marócsiga bekapcsolódása
2. Hajtási sebesség vezérlőkarja
3. Vezérlőpanel
4. Marócsiga kábele
5. Garatforgató kar
6. Garatelterelő
7. Tisztítóeszköz
8. Marócsiga burkolata
9. Marócsigák
10. Védőlemez
11. Abroncs
12. Olajbetöltő nyílás
13. Motor
14. Alsó fogantyú
15. Hajtási sebesség vezérlőrúdja
16. Hajtókábel
17. Visszaugró indítófogantyú
18. Hajtás bekapcsolódása
19. Fogantyúk
20. Indítószivattyú
21. Fojtószelep (szívató)
22. Üzemanyag-kapcsoló
23. Indítókulcs
24. Kezelői kézikönyv

### Termékleírás

A termék egy hómaró, amely a hó talajról történő eltávolítására szolgál.

### Rendeltetésszerű használat

Ez a termék hó szántóföldekről, utakról, járdákról és kocsibehajtókról történő eltávolítására szolgál. Tilos 15°-nál meredekebb lejtőkön használni. Tilos a terméket olyan területeken használni, ahol nagy mennyiségű törmelék, kosz vagy kiálló kövek vannak.

### Symbols on the product

---

**Megjegyzés:** If the decals on the product are damaged, contact the distributor to replace them.

---

- (ábra 2) Warning.
- (ábra 3) Read the operator's manual.
- (ábra 4)
- (ábra 5) Hot surface.
- (ábra 6) Risk of fire.
- (ábra 7) Choke.
- (ábra 8) Pull starter rope handle.
- (ábra 9) Do not breathe in the exhaust fumes from the engine.
- (ábra 10) Do not put any part of the body into the chute deflector or the auger housing when the augers rotate.
- (ábra 11) Stop the engine before you remove snow from the chute deflector. Use the clean-out tool to remove snow, do not do it by hand.
- (ábra 12)
- (ábra 11) Keep hands away from the chute deflector.
- (ábra 13) Objects can be ejected from the product.
- (ábra 14) Keep bystanders away from the product when operating.
- (ábra 15) Remove key before maintenance.
- (ábra 16) Push in the on/off key to the RUN position.
- (ábra 17) Turn the fuel switch to the ON position.
- (ábra 18) Push the primer.
- (ábra 19) Risk of falling.

- (ábra 20) Move slowly rearward.
- (ábra 21) Use approved protective gloves.
- (ábra 22) Use a protective helmet. Use approved hearing protection. Use approved eye protection.
- (ábra 23) Noise emissions to the environment according to European Directive 2000/14/EC and New South Wales legislation ("Protection of the Environment Operations (Noise Control) Regulation 2017". Noise emission data can be found on the machine label and in the Technical data chapter.
- (ábra 24) European machinery directive for safety.

**Megjegyzés:** Other symbols/decals on the product refer to certification requirements for some markets.

## Euro V. kibocsátási norma



**FIGYELMEZTETÉS:** A motor módosítása érvényteleníti a termékre vonatkozó európai uniós típusjóváhagyást.

## Biztonság

### Biztonsági fogalom meghatározások

Az alábbi fogalom meghatározások az egyes figyelmeztetésekhez tartozó, lehetséges veszélyek súlyosságát határozzák meg.



**FIGYELMEZTETÉS:** Személyi sérülés veszélye.



**VIGYÁZAT:** A termék károsodásának veszélye.

**Megjegyzés:** Ezek az információk a termék használatát könnyítik meg.

### Biztonságos üzemeltetési eljárások gyalogkíséretű hómárókhoz

#### Általános

A termék képes végtagok levágására, valamint tárgyak kilövellésére. Az alábbi biztonsági utasítások be nem tartása súlyos sérüléseket okozhat.

#### Betanulás

- A készülék használata előtt olvassa el, ismerje meg és kövesse a készüléken és a kézikönyv(ek)ben látható összes utasítást. Alaposan ismerje meg a gép kezelőszerveit és rendeltetészerű használatát.

## Gyártó

Husqvarna AB

Drottninggatan 2, SE-561 82 Huskvarna

## Termékszavatosság

A termékszavatosságra vonatkozó jogszabályok értelmében nem vagyunk felelősek a termékeink által okozott károkért az alábbi esetekben:

- a termék javítását helytelenül végezték;
- a termék javítása nem a gyártótól származó vagy általa jóváhagyott alkatrészekkel történt;
- a terméket nem a gyártótól származó vagy általa jóváhagyott kiegészítővel szerelték fel;
- a termék javítását nem hivatalos szakszerviz vagy jóváhagyott egyéb szerviz végezte.

Tanulja meg, hogyan kell gyorsan leállítani a készüléket és kiiktatni a szabályozógombokat.

- Soha ne engedje, hogy gyermekek használják a gépet. Soha ne engedje meg, hogy megfelelő képzésben nem részesült felnőttek üzemeltessék a terméket.
- Ne engedjen senkit, különösen gyerekeket, az üzemeltetési területre.
- Óvatosan járjon el, nehogy megcsússzon vagy elessen, főleg amikor a terméket hátramenetben használja.

#### Előkészületek

- Alaposan vizsgálja meg a területet, ahol a gépet használni kívánja, és távolítson el minden lábtörlőt, szánkót, snowboardot, vezetéket vagy más idegen tárgyakat.
- Engedje ki a tengelykapcsolókat, és váltson üresbe a motor beindítása előtt.
- Ne működtesse a gépet megfelelő téli ruházat viselése nélkül. Ne vegyen fel laza ruházatot, amely beakadhat a mozgó alkatrészekbe. Viseljen olyan lábbelit, amely határozott fogást biztosít a csúszós felületeken.
- Mindig viseljen biztonsági szemüveget vagy szemvédő maszkot üzemeltetés közben, vagy amikor beállítást vagy javítást végez, hogy megvédje a szemét a berendezés által esetleg kibólt idegen tárgyaktól.
- Óvatosan bánjon az üzemanyaggal, mert erősen gyúlékony.

- Használjon engedélyezett üzemanyagtartályt.
- Soha ne töltsön üzemanyagot járó motorba vagy forró motorba.
- Az üzemanyagtartályt szabadterben, rendkívül elővigyázatosan tölts fel. Soha ne végezze beltérben az üzemanyagtartály feltöltését.
- Soha ne tölts fel járműben vagy teherautón vagy műanyag bélése pótkocsipalán a tartályokat. A tartályt mindig a járműtől távolabb, a földön helyezze el, mielőtt nekilátna a feltöltésnek.
- Ha ésszerűen megoldható, vegye le a benzinnel üzemeltetett berendezéseket a teherautóról vagy a pótkocsiról, és a földön tölts fel őket. Amennyiben ez nem lehetséges, pótkocsin, hordozható tartályból tölts fel az ilyen berendezéseket, és ne benzinadagoló pisztollyal.
- Mindig tartsa az üzemanyagtartály karimájához vagy a tartálynyíláshoz a pisztolyt, amíg teljesen be nem fejeződik a tankolás. Ne használjon pisztolyzáró/-nyitó berendezést.
- Csavarja vissza szorosan a benzinsapkát, majd törölje le a melléfolyt üzemanyagot.
- Ha az üzemanyag a ruhára is rákerült, azonnal öltözzön át.

- Elektromos indítású motorral rendelkező termékekhez a gyártó által meghatározott hosszabbító kábeleket és aljzatokat használjon.
- A gyújtóház magasságát tiszta kavicsos vagy zúzott kőves felületnek megfelelően állítsa be.
- Soha ne próbáljon meg beállítását változtatni működő motor mellett (kivéve, ha a gyártó kifejezetten ezt ajánlja).

## Működés

- Ne tegye a kezét vagy a lábát a forgó alkatrészek közelébe vagy alá. A kidobányílás előtt soha ne legyen semmi.
- Rendkívül óvatosan járjon el, amikor kavicsos autóbekötőn vagy járdán halad át vagy ezeket keresztezi. Mindig figyeljen a rejtett veszélyforrásokra vagy ha közút közelében használja a gépet.
- Ha a hómárol idegen tárgyba ütközik, állítsa le a motort, távolítsa el a vezetéket a gyújtógyertyából, húzza ki az elektromos motorok vezetékeit, alaposan vizsgálja át a gépet, hogy nem sérült-e meg, majd a termék újraindítása és üzemeltetése előtt javítsa ki az esetleges sérülést.
- Amennyiben a gép abnormálisan rezegni kezd, állítsa le a motort, és azonnal vizsgálja meg, hogy mi lehet az oka. A rezgés általában hibát jelez.
- Ha bármikor elhagyja az üzemeltetési helyzetet, mielőtt megszüntetné a gyújtóház/járókerékhez eltömődéseit, vagy amikor javításokat, beállításokat vagy ellenőrzéseket eszközöl, állítsa le a motort.
- A motort tilos beltérben működtetni, amely alól kivételt képez a motor beindítása, valamint a hómárol épületen belülről vagy épületen kívülről történő

mozgatása. Nyissa ki a külső ajtókat; a kipufogógázok veszélyesek.

- Lejtős terepen rendkívül óvatosan üzemeltesse a készüléket.
- Soha ne üzemeltesse a gépet, ha a megfelelő védőburkolatok vagy egyéb biztonsági védőfelszerelések nincsenek a helyükön vagy nem működnek.
- Soha ne fordítsa a kidobányílást emberek felé vagy olyan területekre, ahol vagyoni kár keletkezhet. Tartsa távol a gyerekeket és más személyeket.
- Ne terhelje túl a készülék kapacitását azzal, hogy túl gyorsan próbálja meg elhárítani a havat.
- Soha ne üzemeltesse a gépet nagy haladási sebességen, ha csúszós a felület. Ha hátrafele menetben használja a készüléket, nézzon hátra, és legyen óvatos.
- Válassza le az áramellátást a gyújtóról/járókerékről, ha a termék szállítására kerül sor, illetve ha a termék nincsen használatban.
- Kizárólag a gép gyártója által jóváhagyott tartozékokat és kiegészítőket (pl. keréksúlyokat, ellensúlyokat vagy fülkéket) használjon.
- Tilos a gépet rossz látási viszonyok között vagy világítás nélkül használni. Mindig stabilan álljon, a fogantyút pedig fogja erősen. Sétáljon, soha ne fusson.
- Soha ne érjen a forró motorhoz vagy a kipufogódobhoz.

## A kidobógarat eltömődésének megszüntetése

- A hómárolval kapcsolatos sérüléseket leggyakrabban a kidobógarat belsejében forgó járókerék kézzel történő érintése okozza. Soha ne kézzel tisztítsa ki a kidobógaratot.
- A garat megtisztítása:
  1. KAPCSOLJA KI A MOTORT!
  2. Várjon 10 másodpercet, hogy a járókerék lapátjai leállhassanak.
  3. Mindig csak tisztítóeszközzel nyúljon a gépbe, soha ne a kezével.

## Karbantartás és tárolás

- Rendszeres időközönként ellenőrizze a nyíró- és egyéb csavarok megfelelő szorosságát, hogy megbizonyosodjon arról, a berendezés biztonságos használható.
- Soha ne tárolja a gépet épületen belül feltöltött üzemanyagtartállyal olyan esetben, ha gyújtóforrás, például bojler, fűtőegységek vagy ruhaszáritók vannak közelében. Körülzárt helyen történő tárolás előtt hagyja a motort lehűlni.
- Ha a hómárolt hosszabb ideig kívánja tárolni, mindig olvassa el a kezelési kézikönyv erre vonatkozó részeit.
- Szükség esetén tartsa karban vagy cserélje ki a biztonsági címkéket.
- Használatot követően járassa néhány percig gépet, hogy a gyújtó/járókerék nehogy befagyjon.

- A hámos tisztításához, javításához vagy átvizsgálásához állítsa le a motort, és ellenőrizze, hogy a gyújtó/járókerék és a mozgó alkatrészek mind leálltak-e. A motor véletlenszerű beindításának elkerülése érdekében a gyújtógyertya-vezetékét mindig húzza ki, majd olyan helyre tegye, ahol nem érintkezhet a gyertyával.

## Általános biztonsági utasítások

- Használja a terméket megfelelően. A nem megfelelő használat súlyos, akár halálos sérüléssel is járhat. A terméket csak a kézikönyvben ismertetett feladatokra használja. Ne használja a terméket egyéb feladatokra.
- Tartsa be a kézikönyvben olvasható utasításokat. Vegye figyelembe a biztonsági jelzéseket és tartsa be a biztonsági utasításokat. Ha a kezelő nem az utasítások és a szimbólumok szerint jár el, anyagi kár, személyi sérülés, akár halál is bekövetkezhet.
- Órizza meg a kézikönyvet. Használja az utasítást a termék összeszereléséhez, működtetéséhez és a megfelelő üzemiállapot fenntartásához. Használja az utasítást a kiegészítők és tartozékok megfelelő felszereléséhez. Csak jóváhagyott kiegészítőt és tartozékot használjon.
- Ne használjon sérült terméket. Tartsa be a karbantartási ütemtervet. Csak olyan karbantartási munkát végezzen, amire a kézikönyvben utasítást talál. Az összes többi karbantartási munkát bízza a hivatalos szakszervizre.
- A kézikönyv nem tartalmazhatja minden olyan helyzet leírását, ami a termék használata során előfordulhat. Legyen körültekintő és hagyatkozzon a józan eszére. Ne működtesse a terméket és ne végezzen rajta karbantartást, ha nem biztos a dolgában. Kérjen tájékoztatást a termék szakértőjétől, a forgalmazótól, szervizműhelytől vagy a hivatalos márkaszerviztől.
- Húzza le a gyertyapipát, mielőtt a termék összeszerelésébe kezd, elteszi vagy karbantartásba kezd.
- Ne használja a terméket, ha megváltozott az eredeti specifikációja. Ne cseréljen a terméken alkatrészt a gyártó jóváhagyása nélkül. Csak a gyártó által jóváhagyott alkatrészeket használjon. A nem megfelelő karbantartás súlyos, akár végzetes sérüléssel is járhat.
- Ne lélegezze be a motorból kiáramló füstöt. A motor kipufogógázainak hosszas belégzése káros lehet az egészségre.
- Ne indítsa be az egységet zárt helyiségben vagy gyúlékony anyagok közelében. A kipufogógázok forróak, és lehet bennük szikra, mely tüzet okozhat. A nem elegendő mértékű légáramlás fulladás vagy szén-monoxid miatt egészségkárosodást, akár halált is okozhat.
- A termék használatakor a motor elektromágneses mezőt hoz létre. Az elektromágneses mező károsíthatja az orvosi implantátumokat. A termék

használata előtt kérje ki orvosa vagy orvosi implantátuma gyártójának tanácsát.

- A terméket gyermekek nem használhatják. Ne használja a terméket olyan személy, aki nem ismeri a kezelési utasítást.
- Csökkent fizikai vagy szellemi képességekkel rendelkező személy csak felügyelet mellett használhatja a terméket. Egy felelős felnőttnek mindig jelen kell lennie.
- A terméket zárja el olyan helyre, ahol gyermek vagy jogosulatlan személy nem férhet hozzá.
- A termék tárgyakat repíthet szét, és ezzel sérülést okozhat. Tartsa be a biztonsági előírásokat, hogy csökkenthető legyen a súlyos, akár halálos sérülések kockázata.
- Ne hagyja magára a járó motorú terméket.
- Az esetleges balesetekért a termék kezelője a felelős.
- Hátrafelé haladás előtt és közben nézzen hátrafelé és lefelé, hogy nincsenek-e gyermekek, állatok vagy egyéb kockázati tényezők a termék útjában, amelyek miatt eleshetne.
- A termék használatának megkezdése előtt ellenőrizze az alkatrészek épségét.
- A termék használatának megkezdése előtt gondoskodjon arról, hogy minimum 15 m (50 láb) távolságra kerüljön más személyektől, illetve állatoktól. Tudassa a közelben levő személyekkel, hogy használni fogja a terméket.
- Tartsa be az állami vagy helyi törvényeket. Egyes feltételek mellett ezek tilthatják vagy korlátozhatják a termék használatát.

## Betanulás

- A készülék használata előtt olvassa el, ismerje meg és kövesse a készüléken és a kézikönyv(ek)ben látható összes utasítást. Alaposan ismerje meg a szabályozógombokat és a berendezések rendeltetésszerű használatát. Tanulja meg, hogyan kell gyorsan leállítani a készüléket és kiiktatni a szabályozógombokat.
- Soha ne engedje meg, hogy gyerekek üzemeltessék a készüléket. Soha ne engedje meg, hogy megfelelő képzésben nem részesült felnőttek üzemeltessék a készüléket.
- Ne engedjen senkit, különösen gyerekeket, az üzemeltetési területre.
- Amikor a hókortót tolató üzemmódban használja, óvatosan járjon el, nehogy megcsússzon vagy essen.

## Biztonsági utasítások az üzemeltetéshez

- Ne tegye a kezét vagy a lábát a forgó alkatrészek közelébe vagy alá. A kidobányílás előtt soha ne legyen semmi.
- Rendkívül óvatosan járjon el, amikor kavicsos autóbahajtón, járdán vagy úton halad vagy ezeket

keresztezi. Mindig figyeljen a rejtett veszélyforrásokra vagy a forgalomra!

- Ha a készülék idegen tárgyba ütközik, állítsa le a motort, távolítsa el a vezetéket a gyújtógyertyából, húzza ki az elektromos motorok vezetékeit, alaposan vizsgálja át a terméket, hogy nem sérült-e meg, majd a készülék újraindítása és üzemeltetése előtt javítsa ki az esetleges hibát.
- Amennyiben a termék abnormálisan rezegni kezd, állítsa le a motort, és azonnal ellenőrizze, hogy mi lehet az oka. A rezgés általában hibát jelez.
- Ha bármikor elhagyja az üzemeltetői pozíciót, megszünteti a csapágyház vagy a garatterelő dugulásait, vagy javításokat, beállításokat vagy vizsgálatokat végez, állítsa le a motort.
- A termék tisztításához, javításához vagy átvizsgálásához állítsa le a motort, és ellenőrizze, hogy a marócsigák és minden mozgó alkatrész leállt-e. A motor véletlenszerű beindításának elkerülése érdekében a gyújtógyertya-vezetéket mindig húzza ki, majd olyan helyre tegye, ahol nem érintkezhet a gyertyával.
- A motort tilos beltérben működtetni, mely alól kivételt képez a motor beindítása, valamint a termék épületen belüli vagy épületen kívülre történő szállítása. Nyissa ki a külső ajtókat; a kipufogógázok veszélyesek.
- Lejtős terepen rendkívül óvatosan üzemeltesse a készüléket.
- Soha ne üzemeltesse a terméket, ha a megfelelő védőburkolat vagy más biztonsági védőfelszerelés nincsenek a helyükön és nem működnek.
- Soha ne fordítsa a garatterelőt emberek felé vagy olyan területekre, ahol vagyoni kár keletkezhet. Tartsa távol a gyerekeket és más személyeket.
- Ne terhelje túl a termék kapacitását azzal, hogy túl gyorsan próbálja meg elhárítani a havat.
- Soha ne üzemeltesse a terméket nagy haladási sebességen, ha csúszós a felület. Ha hátrafele menetben használja a készüléket, nézzen hátra, és legyen óvatos.
- Válassza le az áramellátást a marócsigákról, ha a termék szállítására kerül sor, illetve ha a termék nincsen használatban.
- Kizárólag a termék gyártója által jóváhagyott tartozékokat és kiegészítőket (pl. keréksúlyokat, ellensúlyokat vagy fülkéket) használjon.
- Tilos a terméket jó látási viszonyok megléte vagy világítás nélkül használni. Mindig stabilan álljon, a fogantyút pedig fogja erősen. Sétáljon, soha ne fusson.
- Soha ne érjen a forró motorhoz vagy a kipufogódobhoz.

## A munkaterület biztonsága

- Alaposan vizsgálja meg a területet, ahol a készüléket használni kívánja, és távolítson el minden lábtörőt, szánkót, snowboardot, vezetéket vagy más idegen tárgyakat.

- Engedje ki a tengelykapcsolókat, és váltson üresbe a motor beindítása előtt.
- Ne működtesse a terméket megfelelő téli ruházat viselése nélkül. Ne legyen fel laza ruházat, amely beakadhat a mozgó alkatrészekbe. Viseljen olyan lábbelit, amely határozott fogást biztosít a csúszós felületeken.
- Óvatosan bánjon az üzemanyaggal, mert erősen gyúlékony.
  - Használjon engedélyezett üzemanyagtartályt.
  - Soha ne töltsön üzemanyagot járó motorba vagy forró motorba.
  - Az üzemanyagtartályt szabadtérben, rendkívül elővigyázatosan tölts fel. Soha ne végezze beltérben az üzemanyagtartály feltöltését.
  - Soha ne tölts fel járműben vagy teherautón vagy műanyag belékes pótkocsiponton a tartályokat. A tartályt mindig a járműtől távolabb, a földön helyezze el, mielőtt nekilátna a feltöltésnek.
  - Ha ésszerűen megoldható, vegye le a benzinnel üzemeltetett berendezéseket a teherautóról vagy a pótkocsiról, és a földön tölts fel őket. Amennyiben ez nem lehetséges, pótkocsin, hordozható tartályból tölts fel az ilyen berendezéseket, és ne benzinadagoló pisztollyal.
  - Mindig tartsa az üzemanyagtartály karimájához vagy a tartálynyíláshoz a pisztolyt, amíg teljesen be nem fejeződik a tankolás. Ne használjon pisztolyzáró/-nyitó berendezést.
  - Csavarja vissza szorosan a benzinsapkát, majd törölje le a melléfolyt üzemanyagot.
  - Ha az üzemanyag a ruhára is rákerült, azonnal öltözzön át.
- Az összes elektromos meghajtású motorral vagy elektromos indítású motorral rendelkező készülékhez használjon a gyártó által meghatározott hosszabbító kábeleket és aljzatokat.
- Állítsa be a csapágyház magasságát tiszta kavicsos vagy zúzott kőves felületnek megfelelően.
- Soha ne próbáljon meg beállítást változtatni működő motor mellett (kivéve, ha a gyártó kifejezetten ezt ajánlja).
- Mindig viseljen biztonsági szemüveget vagy szemvédő maszkot üzemeltetés közben, vagy amikor beállítást vagy javítást végez, hogy megvédje a szemét a berendezés által esetleg kibőlt idegen tárgyaktól.

## Személyi védőfelszerelés

A termék használata során mindig viseljen megfelelő személyi védőfelszerelést. Ez minimálisan erős lábbelit, védőszemüveget és hallásvédőt foglal magában. A személyi védőfelszerelés nem szünteti meg a sérülések kockázatát, de csökkentheti a sérülés mértékét, ha baleset történik.

- A fűnyíró üzemeltetése közben, illetve karbantartás vagy javítások végzésekor mindig viseljen védőszemüveget vagy szemvédő maszkot.
- A termék működtetése során mindig viseljen megfelelő téli ruházatot.
- A termék működtetése során mindig használjon csúszásálló munkavédelmi bakancsot, amely megfelelően megtámasztja a bokát.
- Ne viseljen laza ruházatot, amely beakadhat a mozgó alkatrészekbe.
- Szükség esetén használjon jóváhagyott védőkesztyűt. Például ha a kések csatlakoztatását, átvizsgálását vagy tisztítását végzi.
- A termék használatakor viseljen jóváhagyott fülvédőt. A zajnak való tartós kitettség halláskárosodást okozhat.

## Biztonsági eszközök a terméken

- Feltétlenül végezzen rendszeres karbantartást a terméken.
  - A termék élettartama így növelhető,
  - a balesetveszély pedig csökken.

Vizsgáltsa át rendszeresen a terméket márkakereskedésben vagy szakszervizben, ahol elvégzik a szükséges beállításokat, javításokat.

- Ne használja a terméket sérült biztonsági eszközökkel. Ha a termék megsérült, forduljon vele hivatalos szakszervizhez.

## Kipufogódob

A kipufogódob minimálisra csökkenti a zajszintet, és elvezeti a kipufogógázokat a kezelő közeléből.

Hiányzó vagy hibás kipufogódob esetén ne használja a terméket. A hibás kipufogódob növeli a zajszintet és a tűzveszélyt.



**FIGYELMEZTETÉS:** A kipufogódob erősen felhevül használat közben és után, illetve, amikor a motor alapjáraton működik. Legyen óvatos gyúlékony anyagok és/vagy gőzök közelében a tűzveszély elkerülése érdekében.

## Üzemanyaggal kapcsolatos biztonság



**FIGYELMEZTETÉS:** A termék használata előtt olvassa el az alábbi figyelmeztetéseket.

- Ne indítsa be a terméket, ha üzemanyag vagy motorolaj került rá. Távolítsa el a nem kívánt üzemanyagot/motorolajat és hagyja megszáradni a terméket.
- Ha a kiömlött üzemanyag a ruhájára csöppent, öltözzön át azonnal.

- Ügyeljen arra, hogy ne kerüljön üzemanyag a testére, mert az sérülést okozhat. Ha üzemanyag került a testére, távolítsa el szappannal és vízzel.
- Ne indítsa be a motort, ha szivárog a motor. Vizsgálja meg rendszeresen a motort szivárgás szempontjából.
- Bánjon óvatosan az üzemanyaggal. Az üzemanyag gyúlékony, a gőzei robbanásveszélyesek, ezért súlyos, akár végzetes sérülést is okozhat.
- Ne lélegezze be az üzemanyag gőzeit, egészségkárosodást okozhatnak. Gondoskodjon megfelelő légáramlásról.
- Az üzemanyag vagy a motor közelében ne dohányozzon.
- Az üzemanyag vagy a motor közelébe ne tegyen forró tárgyakat.
- Ne tankoljon járó motornál.
- Várja meg a tankolással, amíg lehül a motor.
- Tankolás előtt nyissa meg lassan a tanksapkát, engedje ki óvatosan a nyomást.
- Ne beltérben tankoljon. A nem elegendő mértékű légáramlás fulladás vagy szén-monoxid miatt egészségkárosodást, akár halált is okozhat.
- Húzza meg teljesen az üzemanyagtartály sapkáját. Ha az üzemanyagtartály sapkája nincs meghúzva, tűzveszélyt okozhat.
- Beindítás előtt vigye a terméket legalább 3 m távolságra a tankolás helyétől.
- Ne töltsen teljesen tele az üzemanyagtartályt. Hő hatására az üzemanyag kitágul. Hagyjon egy kis helyet az üzemanyagtartály tetejénél.

## Vegyí anyagokra vonatkozó figyelmeztetés



**FIGYELMEZTETÉS:** A kipufogógáz olyan vegyi anyagokat tartalmaz, amelyekről (Kalifornia államban) ismeretes, hogy rákos megbetegedést, születési rendellenességet vagy egyéb reprodukciós problémákat okozhatnak. Bővebb információkért látogasson el a [www.P65Warnings.ca.gov](http://www.P65Warnings.ca.gov) honlapra.

## Biztonsági utasítások a karbantartáshoz



**FIGYELMEZTETÉS:** A termék használata előtt olvassa el az alábbi figyelmeztetéseket.

- A motorból származó kipufogógázok szén-monoxidot tartalmaznak, amely szagtalan, mérgező, rendkívül veszélyes gáz. Ne indítsa be a motort beltérben vagy zárt helyen.
- A termék karbantartása előtt állítsa le a motort, és húzza ki a gyújtáskábelt a gyújtógyertyából.



- A kések karbantartásakor használjon védőkesztyűt. A kések nagyon élesek, és könnyen vágásokat okozhatnak.
- A gyártó által nem jóváhagyott tartozékok és változtatások súlyos sérülést vagy halált okozhatnak. Ne végezzen módosításokat a terméken. Csak a gyártó által jóváhagyott tartozékokat használjon.
- Ha a karbantartást nem megfelelően és rendszeresen végezték el, nő a termék sérülésének és károsodásának kockázata.
- Csak a használati utasításban megadott karbantartást végezze el. Minden egyéb szervizelés csak hivatalos szervizműhely végezhet el.
- A termék rendszeres szervizelését hivatalos szervizműhellyel kell elvégeztetni.
- A sérült, kopott vagy törött alkatrészt cserélje ki.

## Összeszerelés



**FIGYELMEZTETÉS:** Figyelmesen olvassa el a biztonságról szóló fejezetet, mielőtt összeállítaná a terméket.

### A fogantyúk felszerelése

1. Távolítsa el a 4 db M8x25-ös peremes csavart (A) a gépházból.
2. Használja a 4 db M8x25-ös peremes csavart (A), a 4 db rugós távtartót (B) és a 4 db lapos távtartót (C).
3. Szerelje fel az alsó fogantyút (D) a gépház két oldalán lévő 2 furatba. (ábra 25)
4. Használja a 3 db M8x50-es fogantyúrögzítő csavart (A), a 3 db távtartót (B), a 3 db fogantyúgombot (C) és a 3 db záróanyát (D).
5. Szerelje fel a vezérlőpanellel ellátott felső fogantyút (E) az alsó fogantyúra. (ábra 26)

### A garatterelő felszerelése

1. Távolítsa el forgótárcsát (B) és a 6 db hatlapfejű peremes csavart (D) a gépházról.
2. Rögzítse a forgótárcsát (B) és a garatterelőt (A) a 3 ütközőblokk (C) segítségével a garatalapra.
3. Az ütközőblokkok (C) rögzítéséhez használjon 6 db hatlapfejű peremes csavart (D) és 6 db záróanyát (E). (ábra 27)

### A garatforgató felszerelése

1. Szerelje össze a garatforgató első végét.
2. Szerelje fel a műanyag perselyt (B) a garatforgató első végére.
3. 1 lapos távtartóval (A) és 1 biztosítószeggel (C) rögzítse a garatforgatót. (ábra 28)
4. Szerelje össze a garatforgató hátsó végét.
5. A garatforgató összeszereléséhez használjon 1 M8-as biztosítóanyát (A), 1 műanyag fogantyúrögzítő

gombot (B), 2 db ívelt távtartót (C) és 1 szintbeállító csavart (D).

6. 1 M8-as hatlapfejű anyával (E) rögzítse a garatforgatót (F) a fogantyú furataiba. (ábra 29)

### A hajtási sebesség vezérlőrúdjának összeszerelése

1. 1 csatlakozórúd-rugóval (B), 1 lapos távtartóval (C) és 1 sasszeggel (D) szerelje fel a hajtási sebesség vezérlőrúdjának hosszú hajlított végét (A) a vezérlőpanelre. (ábra 30)
2. Húzza fel a váltó összekötőlemezt (B) és szerelje fel a hajtási sebesség vezérlőrúdjának rövid hajlított végét (A). 1 lapos távtartóval (C) és 1 sasszeggel (D) szerelje fel a hajtási sebesség vezérlőrúdját (A). (ábra 31)
3. Szükség esetén tölje meg a hajtási sebesség vezérlőrúdját. Lazítsa meg a forgókapocs biztosítóanyáit, és forgassa meg a forgókapcsot. A megfelelő fordulatszám-szabályozás érdekében rögzítse a forgókapcsot az eredeti helyére. Az eredeti hely a meneteken van megjelölve. (ábra 32)

### A marócsiga és a vezérlőkábelek felszerelése

1. Távolítsa el a 2 kábelcsavart (B) a kábelekről (D).
2. Rögzítse a 2 kábelcsavart (B) a bal és a jobb oldali fogantyúkon (A) lévő furatokba. (ábra 33)
3. Csatlakoztassa a kábeleket (D) a kábelcsavarokhoz (B).
4. Úgy helyezze fel és rögzítse a bal és a jobb oldali menetes hüvelyt (D) és a kábelcsavart (B), hogy a réz biztosítóanya (C) felső része egy vonalba essen a menetekben lévő jelöléssel.
5. Rögzítse a kábelt a réz biztosítóanyával (C).



**FIGYELMEZTETÉS:** A termék működtetése előtt olvassa el a biztonságra vonatkozó fejezetet és a működtetési utasításokat.

## A termék indítása előtt

- Tartson minden személyt és állatot távol a munkavégzés helyétől.
- Végezze el a napi karbantartást. Lásd: *Karbantartási terv212. oldalon.*
- Ügyeljen arra, hogy a gyújtásvezeték jól illeszkedjen a gyújtógyertyára.
- Szükség szerint töltsön hozzá olajat vagy benzint. Lásd: *A motor feltöltése olajjal210. oldalon.*

## A motor feltöltése olajjal



**VIGYÁZAT:** Az olajsint ellenőrzése közben ne forgassa el a nivópálcát. Ne töltsen túl a jelzésen felülre.

1. Vegye le az olajbeöntő nyílás kupakját, és törölje le a nivópálcát. A nivópálca helyét illetően tekintse át a következőt: *A termék áttekintése203. oldalon.*
2. Töltsön be olajat a nivópálca felső jelöléséig. A nivópálca használatával rendszeres időközönként végezze el az olajsint ellenőrzését.
3. Helyezze vissza az olajsapkát.

## Tankolás

Ha elérhető, használjon környezetbarát/alkilát benzint. Ha környezetbarát/alkilát benzint nem áll rendelkezésre, használjon jó minőségű ólommentes benzint. Észak-Amerika területén kívül legalább 90 RON (Észak-Amerikában 87 (R+M)/2) oktánszámú benzint használjon, amely legfeljebb 10% etanolt (E10) tartalmaz.



**VIGYÁZAT:** Észak-Amerika területén kívül ne használjon 90 RON (Észak-Amerikában 87 (R+M)/2) oktánszámúnál gyengébb benzint. Ezzel kárt tehet a termékben.

1. Lassan nyissa ki az üzemanyagtartály sapkáját, hogy kiengedje a nyomást.
2. Töltsön fel lassan a tartályt az üzemanyagkannával. Ha kiömlött az üzemanyag, törölje le egy kendővel, és hagyja, hogy a megmaradt üzemanyag felszáradjon.
3. Tartsa tisztán az üzemanyagtartály sapkájának környékét.
4. Húzza meg teljesen az üzemanyagtartály sapkáját. Ha az üzemanyagtartály sapkája nincs meghúzva, tűzveszélyt okozhat.

5. Vigye legalább 3 m (10 láb) távolságra a terméket a tankolás helyétől, mielőtt beindítaná.

## A garatterelő beállítása

A hó kivetésének iránya a bal oldali fogantyún található garatforgató karral szabályozható.

1. Forgassa el a garatforgató kart, hogy beállítsa a hó kivetésének irányát.
2. Ha a havat jobbra szeretné kivetni, forgassa a garatforgató kart az óramutató járásával egyező irányba.
3. Ha a havat balra szeretné kivetni, forgassa a garatforgató kart az óramutató járásával ellentétes irányba. (ábra 34)
4. A garat tetején lévő terelő felfelé és lefelé történő mozgatásával állíthatja be, hogy a havat milyen messzire szeretné kivetni. (ábra 35)

## A motor beindítása

1. Engedje fel a meghajtás vezérlését. Állítsa a hajtási sebesség karját az első állásba.
2. Állítsa az üzemanyag-kapcsolót BE állásba. (ábra 36)
3. Állítsa a szivatót ZÁRT állásba. (ábra 37)
4. Állítsa az indítókulcsot ÜZEM állásba. (ábra 38)
5. Nyomja meg 1–3 alkalommal az indítószivattyút a ráségítő szivattyú beindításához. Alacsony hőmérséklet esetén a hidegindításhoz használja a ráségítő szivattyút. (ábra 39)
6. Húzza meg a visszaugró indítófogantyút. (ábra 40)



**VIGYÁZAT:** Ne engedje el túl gyorsan a visszaugró indítófogantyút. Lassan engedje vissza az indítási helyzetébe.

**Megjegyzés:** Ha a visszaugró indítófogantyú befagyott, lassan húzza ki a lehető legnagyobb mennyiségű kötelet az indítóból, majd engedje vissza a fogantyút. Ha a motor nem indul be, ismételje meg az eljárást, vagy használja az elektromos indítót.

7. A hómáras megkezdése előtt járassa a motort 30–40 másodpercen keresztül alaplajráton.
8. Amikor a motor felmelegedett, lassan állítsa a szivatót NYITOTT helyzetbe. (ábra 41)

## A motor beindítása, elektromos indítás



**FIGYELMEZTETÉS:** A termék 230 V-os váltóáramú elektromos indítószervezettel van felszerelve. Ne használja az elektromos indítót akkor, ha a háza nem 230 V-os

váltóáramú, megfelelően földelt rendszerrel van ellátva. Súlyos személyi sérülés vagy a termék károsodása történhet. Az elektromos indítószervezet háromhegyű tápcsatlakozóval van felszerelve, és 230 V-os váltóáramú hálózattal való működtetésre tervezték. Győződjön meg arról, hogy háza 230 V-os váltóáramú, megfelelően földelt rendszerrel van ellátva. Ha nem biztos ebben, kérje ki egy szakképzett villanyszerelő véleményét.

---

**Megjegyzés:** Olyan, kültéri használatra ajánlott hosszabbítókábelt használjon, amely legalább 16 AWG (1,5 mm<sup>2</sup>) átmérőjű és legfeljebb 15 m (50 láb) hosszú.

---

1. Engedje fel a meghajtás vezérlését. Állítsa a hajtási sebesség karját az első állásba.
2. Állítsa az üzemanyag-kapcsolót BE állásba. (ábra 36)
3. Állítsa a szivatót ZÁRT állásba. (ábra 37)
4. Állítsa az indítókulcsot ÜZEM állásba. (ábra 38)
5. Nyomja meg 1–3 alkalommal az indítószivattyút a rásegítő szivattyú beindításához. Alacsony hőmérséklet esetén a hidegindításhoz használja a rásegítő szivattyút. (ábra 39)
6. Csatlakoztassa a terméket az áramforráshoz. (ábra 42)
7. Tartsa lenyomva 5 másodpercig a vezérlődobozon található indítógombot. (ábra 43)
8. Ha a motor nem indul be, várjon 5 másodpercet, mielőtt újra megpróbálna a beindítással.



**VIGYÁZAT:** Ne próbálja 10-nél több alkalommal beindítani a motort. 10 próbálkozás után várjon 40 percet, mielőtt újra próbálna.

9. A motor beindulása után válassza le a tápkábelt a termékről.
10. A hómáras megkezdése előtt járassa a motort 30–40 másodpercen keresztül alapjáraton.
11. Amikor a motor felmelegedett, lassan állítsa a szivatót NYITOTT helyzetbe. (ábra 41)

## A termék működtetése

1. A marócsiga beindításához és a hómáras megkezdéséhez nyomja a marócsiga-vezérlőt a fogantyúra. (ábra 44)

2. A termék előremenetben történő használatához tolja balra a hajtási sebesség vezérlőkarját. A termék hátramenetben történő használatához tolja jobbra a hajtási sebesség vezérlőkarját. (ábra 45)
3. Működtesse a meghajtásvezérlést a jobb oldali karral.
4. A meghajtókerekek működtetéséhez nyomja a meghajtásvezérlőt a fogantyúra. A termék a hajtási sebesség vezérlőkarjának állásától függően előre- vagy hátrafelé indul. (ábra 46)

## A termék leállítása

---

**Megjegyzés:** Vészhelyzet esetén kapcsolja ki a motort és húzza ki az indítókulcsot.

---

1. A meghajtókerekek megállításához engedje fel a meghajtásvezérlést.
2. A marócsiga és így a hómáras leállításához engedje fel a marócsiga-vezérlőt. (ábra 47)
3. Állítsa az üzemanyag-kapcsolót BE állásba. (ábra 48)
4. Húzza ki az indítókulcsot. (ábra 49)

## Megfelelő eredmény elérése

- A motort mindig teljes fordulatszámra vagy annak közelében járassa.
- A termék fordulatszámát mindig az adott hőhelyzetnek megfelelően állítsa be, és a fordulatszám beállításához használja a fordulatszám-szabályozó kart. Győződjön meg arról, hogy a termék egyenletesen hánnya a havat.
- Könnyebb és hatékonyabb a havat közvetlenül a hóesés után eltávolítani.
- Ha lehetséges, kizárólag szélárnyékban végezzen hóhányást.
- Sík felületek, pl. aszfaltborítású utak esetében emelje fel a védőlemezeket legfeljebb 5-6 mm (0,2–0,25 in) távolságra a talajtól számítva.
- A kaparórúd megfordítható. Amikor már majdnem a burkolat széléig elkopik, meg kell fordítani. Cserélje ki a kaparórudat, ha károsodott, vagy ha már mindkét oldala kopott.
- Ne indítsa be a garatterelőt, ha el van tömődve.
- Ha a termék előre nem látható körülményekből adódóan nem mozog előre felé, azonnal oldja ki a meghajtás vezérlését, vagy fordítsa a BE/KI kulcsot „KI” állásba.

## Karbantartási terv

Karbantartás	Naponta	20 üzemóra	50 üzemóránként	100 üzemóra
Ellenőrizze, hogy az anyák és csavarok szorosan meg vannak húzva	X			
Ellenőrizze a motorolajszintet	X			
Végezzen olajcserét <sup>73</sup>		X	X	X
Ellenőrizze, hogy nem szívárog-e az üzemanyag vagy az olaj	X			
Szüntesse meg a marócsigában lévő eltömődést és idegen tárgyakat	X			
Ellenőrizze az abroncsnyomást <sup>74</sup>			X	
Vizsgálja át és cserélje ki a gyújtógyertyát <sup>75</sup>				X

**Megjegyzés:** Nem szükséges kenőzsírt hozzáadni vagy egyéb karbantartást végezni a hajtóművön.

## Általános ellenőrzés

- Ellenőrizze, hogy az anyák és csavarok megfelelően meg vannak-e szorítva a terméken.

## Az olajszint ellenőrzése



**VIGYÁZAT:** Ha az olajszint túlságosan alacsony, kár keletkezhet a motorban. Ellenőrizze az olajszintet, mielőtt elindítja a terméket.

- Helyezze a terméket vízszintes talajra.
- Vegye le az olajtartály sapkáját a rögzített nivópálcával együtt.
- Törölje le a nivópálcáról az olajat.

- Tegye a nivópálcát teljesen az olajtartályba, hogy pontos képet kapjon az olajszintről.
- Vegye ki a nivópálcát.
- Vizsgálja meg az olajszintet a nivópálcán.
- Ha az olajszint alacsony, töltsse fel a tartályt motorolajjal, és ellenőrizze újra az olajszintet.

## A motorolaj cseréje

- Járássa néhány percig a motort, hogy felmelegedjen az olaj. A meleg olaj folyékonyabb és több szennyező anyagot szállít.



**FIGYELMEZTETÉS:** A motorolaj forró. Ügyeljen rá, hogy a használt motorolaj ne érjen a bőréhez.

- Helyezze a terméket vízszintes talajra.
- Járássa a motort addig, amíg minden üzemanyag ki nem fogy belőle.

<sup>73</sup> Végezzen olajcserét az első 20 h, 50 h, 100 h után, majd pedig minden eltelt 100 h után.

<sup>74</sup> A helyes abroncsnyomást illetően tekintse át a Műszaki adatok című részt.

<sup>75</sup> A használat előtt minden évben végezze el a gyújtógyertya ellenőrzését és tisztítását.

- Távolítsa el az indítókulcsot.
- Tegyen egy tartályt az olajleeresztő csavar alá.
- Távolítsa el az olajleeresztő csavart, döntse meg hátrafele a terméket, és eressze le a használt olajat a tartályba. (ábra 50)
- Állítsa vissza a terméket az üzemeltetési helyzetbe.
- Helyezze be, majd húzza meg kézzel az olajleeresztő csavart.
- Töltse fel a motort olajjal, lásd: *A motor feltöltése olajjal210. oldalon.*

## A gyújtógyertya ellenőrzése.



**VIGYÁZAT:** Használja mindig az előírt típusú gyújtógyertyát. A nem megfelelő gyújtógyertya károsíthatja a terméket.

- Vizsgálja meg a gyújtógyertyát, ha gyenge a motor, nehezen indul, vagy egyenetlen az alapjárata.
- A gyújtógyertya elektródái közötti lerakódások kialakulásának csökkentése érdekében tartsa be az alábbi utasításokat:
  - gondoskodjon az alapjárat fordulatszám megfelelő beállításáról;
  - Ügyeljen arra, hogy az üzemanyag megfelelő típusú legyen.
  - gondoskodjon a levegőszűrő tisztaságáról.
- Ha a gyújtógyertya piszkos, tisztítsa meg, és ellenőrizze, hogy a szikraköz megfelelő-e, lásd: *Műszaki adatok217. oldalon.* (ábra 51)
- Szükség esetén cserélje ki a gyújtógyertyát.

## A marócsigák és a kaparórúd ellenőrzése

- Minden használat előtt ellenőrizze a marócsigákat és a kaparórudat, hogy nem láthatóak-e rajtuk a kopás jelei.
- Ha a kaparórúd széle kopott, akkor fordítsa meg a kaparórudat. Ha a kaparórúdon károsodások láthatóak, vagy mindkét széle kopott, cserélje ki.
- Ha a marócsigák szélei kopottak, vegye fel a kapcsolatot egy hivatalos szervizközponttal a csere ügyében.

## A védőlemezek beállítása

A védőlemezek védik a hómáró alsó részét a sérülésektől. A védőlemezek (A) beállítását laza záróánya (B) mellett végezze, ellenkező esetben a védőlemez nem megfelelő távolságra helyezkedik el a talajtól. Normál összeszerelés esetén nincs szükség beállításra.

- Lazítsa meg a záróányát (B) egy 13 mm-es (½ hüvelyk) nyitott végű csavarkulccsal.
- Mozgassa a védőlemezeket (A) felfelé vagy lefelé.

- Sík felületek esetén állítsa a kaparórúd és a talaj közötti távolságot 5-6 mm-re (0,2-0,25 hüvelyk).
- Durva felületek esetén úgy állítsa be a védőlemezeket (A), hogy a kaparórúd a talaj felső szintje fölött álljon.



**FIGYELMEZTETÉS:** Ügyeljen arra, hogy ne kerüljenek kavicsok vagy kövek a termék belsejébe. A nagy sebességgel kirepülő tárgyak sérülést okozhatnak.

- Szorítsa meg a záróányát (B). (ábra 52)

## A nyíródócsap cseréje

A nyíródócsap védi a terméket a sérüléstől. Eltörik, ha idegen tárgy kerül a mozgó alkatrészek közé.

- Ha a nyíródócsap eltörik, állítsa le a motort.
- Szereljen be egy nyíródócsapot (A) és egy új rögzítőrugót (B). (ábra 53)

## Az abroncsok ellenőrzése

- A gumi károsodásának megelőzése érdekében tartsa az abroncsokat üzemanyagtól, olajtól és vegyszerektől mentesen.
- Tartsa az abroncsokat farönköktől, kövektől, keréknyomoktól, éles tárgyaktól és egyéb olyan tárgyaktól távol, amelyek az abroncsok károsodását okozhatják.
- Tartsa helyes érteken a gumiabroncsnyomást, lásd: *Műszaki adatok217. oldalon.*

## Az eltömődött garatterelő kitisztítása

Ne szüntesse meg a garatterelő eltömődését, amíg el nem végezte a következő műveleteket.

- Oldja ki egyszerre a marócsiga vezérlését és a meghajtás vezérlését.
- Várjon 10 mp-et, és győződjön meg arról, hogy a marócsigák valóban leálltak.
- Állítsa le a terméket.
- Használja a tisztítóeszközt (legalább 37 cm (15 hüvelyk) hosszú, bizonyos típusok mellé mellékelve) az eltömődés eltávolítására.



**FIGYELMEZTETÉS:** Ne tegye a kezeit a garatterelőbe vagy a marócsiga-burkolaton belüire.

## A termék tisztítása

- A műanyag részeket tiszta, száraz törlőkendővel tisztítsa.
- Ne használjon nagynyomású mosót a termék tisztításához.
- Ne irányítsa a vízsugarat közvetlenül a motorra.
- Kéfével távolítsa el a leveleket, a fűvet és az egyéb szennyeződéseket.

## Hibaelhárítás

### Hibaelhárítás

Probléma	Lehetséges ok	Megoldás
A termék nem indul	A biztonsági indítókulcs nincs behelyezve.	Helyezze be a biztonsági indítókulcsot.
	A termékből kifogyott az üzemanyag.	Töltse fel az üzemanyagtartályt friss, tiszta benzinnel.
	Az indítókulcs KI állásban van.	Fordítsa BE állásba az indítókulcsot.
	A szivató KI (ZÁRT) állásban van.	A szivatót tolja BE (TELJES, NYITVA) állásba.
	Az üzemanyagpumpa nincsen benyomva.	Nyomja be az üzemanyagpumpát.
	A motor befulladt.	Várjon néhány perctet, mielőtt újraindítana, NE fecskendezzen be üzemanyagot.  Indítsa újra a motort teljes fordulatszám mellett, úgy, hogy a szivató KI (ZÁRVA) állásban van.
	A gyújtógyertya vezetéke nincs csatlakoztatva.	Csatlakoztassa a vezetéket a gyújtógyertyához.
	Rossz a gyújtógyertya.	Cserélje a gyújtógyertyát.
	Víz van az üzemanyagban, vagy túl régi az üzemanyag.	Úrítse ki az üzemanyagtartályt és a karburátort. Töltse fel az üzemanyagtartályt friss, tiszta benzinnel.
	Pára szorult az üzemanyag-vezetékbe.	Ügyeljen arra, hogy minden üzemanyag-vezeték az üzemanyagtartály kimenete alatt legyen. Az üzemanyag-vezetéknek folyamatosan lefele kell futnia az üzemanyagtartálytól a karburátorig.
	Egyéb okok.	Tanulmányozza át alaposan a jelen kézikönyvben leírt indítási eljárásokat.
	Az üzemanyag-kapcsoló (ha van) ZÁRT (KI) állásban van.	Fordítsa el az üzemanyag-kapcsolót NYITOTT (BE) állásba.
	A gázadagoló STOP állásban van.	Állítsa a gázadagolót GYORS állásba.

<b>Probléma</b>	<b>Lehetséges ok</b>	<b>Megoldás</b>
Csökkentett üzem	A gyújtógyertya vezetéke nincs csatlakoztatva.	Csatlakoztassa a vezetéket a gyújtógyertyához.
	A termék túl sok havat hány.	Csökkentse a fordulatszámot és a munkaszélességet.
	Az üzemanyagtartály sapkáját jég vagy hó fedi.	Távolítsa el az üzemanyagtartály sapkáját és a körül felgyűlt jeget és havat.
	A hangfogó szennyezett vagy eltömődött.	Tisztítsa meg vagy cserélje ki a hangfogót.
	Helytelen kábelhosszúság.	Állítsa be a kábelt.
	A hangfogó eltömődött.	Ellenőrizze, hogy a motor hideg-e. Szüntesse meg az eltömődést.
	A karburátor levegőbeömlő nyílása eltömődött.	Ellenőrizze, hogy a motor hideg-e. Szüntesse meg az eltömődést.
A motor leáll vagy durván jár	A szivató BE (TELJES, NYITOTT) állásban van.	A szivatót tolja KI (ZÁRT) állásba.
	Az üzemanyag-vezeték eltömődött.	Tisztítsa meg az üzemanyag-vezetékét.
	Víz van az üzemanyagban, vagy túl régi az üzemanyag.	Újítsa ki az üzemanyagtartályt és a karburátort. Töltsen fel az üzemanyagtartályt friss, tiszta benzinnel.
	A karburátor cseréjére szorul.	Forduljon egy hivatalos szakszervizhez.
	Az ékszíj megnyúlt.	Cserélje ki a csiga ékszíjait.
Túlzott rezgés / Fogantyú mozgása	Néhány alkatrész meglazult. Megsérültek a marócsigák.	Húzzon meg minden rögzítőelemet. Cserélje ki a károsodott alkatrészeket. Ha a vibráció továbbra is megmarad, forduljon egy hivatalos szervizközpontoz.
	A fogantyúk pozíciója nem megfelelő.	Győződjön meg arról, hogy a fogantyúk rögzültek a helyükön.
	A beállítókar anyacsavarjai lazák.	Szorítsa meg az anyacsavarokat, amíg a fogantyú biztonságosan rögzültnek nem érződik.
A visszaugró indítófogantyút nehéz kihúzni	A visszaugró indítófogantyú befagyott.	Lassan húzza ki a lehető legnagyobb mennyiségű kötelet az indítóból, majd engedje el a visszaugró indítófogantyút. Ha a motor nem indul be, ismételje meg az eljárást, vagy használja az elektromos indítót.
	A kótél hozzáér bizonyos alkatrészekhez.	Az indítókótél nem érhet hozzá semmilyen vezetékhez vagy tömlőhöz.

Probléma	Lehetséges ok	Megoldás
Meghajtás megszűnése/ haladási sebesség lelassulása	Az ékszíj csúszik.	Állítsa be a kábelt. Állítsa be az ékszíjat.
	Az ékszíj elhasználódott.	Ellenőrizze/cserélje ki az ékszíjat.
Hószórási veszteség vagy a hószórás lelassulása	Az ékszíj lejött a tárcsáról.	Ellenőrizze/szerelje vissza az ékszíjat.
	A garatterelő eltömődött.	Tisztítsa ki a garatterelőt.
	Idegen tárgyak tömítik el a marócsigákat.	Távolítsa el a törmelékét vagy idegen tárgyakat a marócsigákból.
	A nyíródócsap eltörött.	Cserélje ki a törött nyíródócsapot.
	Túlzott hó- és jégfelhalmozódás a lánctalp alkotóelemei között.	Távolítsa el a hó- és jégfelhalmozódást a lánctalp alkotóelemei közül.
	Kopott a dörzshajtás kereke.	Forduljon egy hivatalos szakszervizhez.
	A marócsiga forgásának megszűnése a markolat felengedése után	A meghajtó ékszíj beállítása nem megfelelő.
	A kidobóelterelő beállítása nem megfelelő.	Végezze el a kidobóelterelő beállítását.
A lámpák nincsenek bekapcsolva (ha a termékre fel vannak szerelve)	A motor nem működik.	Indítsa be a motort.
	Laza a kábelcsatlakozás.	Ellenőrizze a kábelcsatlakozásokat a motornál és a lámpáknál.
	A LED kiégett.	Cserélje ki a LED modult. A LED-ek egyenként nem cserélhetőek.
A garatforgató fej nehezen mozog	Törmelék van a garatforgató mechanizmusban.	Tisztítsa meg a garatforgató mechanizmus belső részét.
	Megtörtek vagy megsérültek a kábelek.	Ellenőrizze, nem törtek-e meg a kábelek. Cserélje ki a károsodott kábeleket.
A termék az egyik oldalra húz	Az abroncsnyomások nem egyenlők.	Állítsa be az abroncsnyomást, és töltsen fel az abronccsal.
	A terméket csak az egyik kerék hajtja meg.	Ellenőrizze az abroncsrögzőt csapot.
	Egyetlen talpbeállítás.	Állítsa be a védőlemezeket és a talpat.
	Egyetlen a védőlemezek beállítása.	Állítsa be a védőlemezeket és a talpat.

## Szállítás, tárolás és ártalmatlanítás

### Szállítás és raktározás

- A termék és az üzemanyag tárolásához és szállításához győződjön meg róla, hogy nincsenek szivárgások vagy gőzök. Szikra vagy nyílt láng,

például elektromos készülékektől vagy kazánoktól, tüzet okozhat.

- Mindig engedélyezett tartályokat használjon az üzemanyag tárolására és szállítására.
- Ha a terméket hosszabb ideig tárolja, ürítse ki az üzemanyagtartályt.



- Ha a karburátor üzemanyagtartályán található leeresztő dugó, akkor a termék hosszabb idejű tárolása előtt ürítse ki az üzemanyagot a karburátorból.
- Biztonságosan rögzítse a terméket szállítás során, a sérülés és baleset elkerülése érdekében.
- Tartsa a terméket zárható helyen, ahol gyermek vagy jogosulatlan személy nem férhet hozzá.
- Tartsa a terméket száraz és fagymentes helyen.
- A használt vagy felesleges vegyi anyagokat, például a motorolajat vagy az üzemanyagot, adja le egy szervizközpontban vagy egy erre kijelölt gyűjtőpontra.
- A termék leselejtezésekor adja azt le egy jóváhagyott hulladékgyűjtő helyen, vagy küldje el a Husqvarna részére ártalmatlanítás céljából.

## Hulladékkezelés

- Kövesse a helyi előírásokat és a vonatkozó szabályozásokat.

---

## Műszaki adatok

---

### Műszaki adatok

	<b>ST 124</b>
<b>Méretek</b>	
Tömeg üres tartályokkal, kg	76
Maximális működési abroncsnyomás, PSI	20
Beszívási magasság, cm	53,3
Munkaszélesség, cm	61
<b>Motor</b>	
Márka	Husqvarna
Névleges motorteljesítmény, kW	4,3
Lökettérfogat, cm <sup>3</sup>	212
Üzemanyag típusa	Normál, ólmozatlan (maximum 10% etanol)
Üzemanyag-kapacitás, gallon/liter	0,58/2,2
Olaj típusa (API SJ-SN)	SAE 5W30 (0°C (32°F) alatt)
Olajkapacitás, uncia/liter	20/0,6
<b>Elektromos rendszer</b>	
Gyújtógyertya	F7RTC
Gyújtógyertya szikraköze (hüvelyk/mm)	0,027-0,031/0,7-0,8
<b>Zajkibocsátás</b> <sup>76</sup>	
Hangteljesítményszint, dB(A)-ben mérve	100
Hangteljesítményszint, garantált, L <sub>WA</sub> dB(A)	102

<sup>76</sup> A környezetben a 2000/14/EK és 2005/88/EK számú EK irányelvvvel összhangban hangteljesítményként mért zajkibocsátás (L<sub>WA</sub>). A zajszennyezésre vonatkozóan közölt adatok 1,5 dB (A) tipikus statisztikus ingadozással (szórással) rendelkeznek. Bizonytalanság = ±1,5 dB (A)

	<b>ST 124</b>
<b>Zajszintek</b> <sup>77</sup>	
Hangnyomásszint a kezelő fülénél, mért L <sub>PA</sub> dB(A)	86
<b>Rezgésszintek, a<sub>hveq</sub></b> <sup>78</sup>	
Rezgésszint a fogantyún, bal/jobb	4,15/4,08

<sup>77</sup> Hangnyomásszint az EN ISO 11201 szabvány szerint. A hangnyomásszintre vonatkozó jelentési adatok az 1,5 dB (A) tipikus statisztikus ingadozásával (szórásával) rendelkeznek. Bizonytalanság = ±1,5 dB (A)

<sup>78</sup> Rezgésszint az ISO 8437-4 szabvány B. melléklete szerint. Bizonytalanság = 1,5 m/s<sup>2</sup>

# EK megfelelési nyilatkozat

## AZ EK-MEGFELELŐSÉGI NYILATKOZAT TARTALMA

A Husqvarna, SE-561 82 Huskvarna, SVÉDORSZÁG, a saját felelősségére kijelenti, hogy a jelzett termék:

Leírás	Hómarók
Márka	Husqvarna
Platform / Típus / Modell	ST 124
Sarzs	2020-es és újabb sorozatszámok

teljes mértékben megfelel a következő EU-irányelveknek és rendeleteknek:

Irányelv/rendelet	Leírás
2006/42/EK	„gépekre vonatkozó”
2014/30/EU	„elektromágneses megfelelésre vonatkozó”
2000/14/EK; 2005/88/EK	„kültéri zajkibocsátásra vonatkozó”
2011/65/EU	„bizonyos veszélyes anyagok alkalmazásának korlátozásával kapcsolatos”

Az alábbi harmonizált szabványok és/vagy műszaki előírások kerültek alkalmazásra: EN ISO 12100:2010, EN ISO 14982:2009, ISO 8437-1:2019, ISO 8437-2:2019, ISO 8437-4:2019, ISO 3744:1995, EN 1032:2003+A1:2008, EN 50581:2012

A megállapított zajértékek a 2000/14/EK és 2005/88/EK irányelv V. mellékletének megfelelően jelen használati utasítás műszaki adatokat tartalmazó fejezetében, valamint az aláírt EK-megfelelési nyilatkozatban található.

A mellékelt hómaró megfelel a vizsgálaton átesett példadarabnak.

A Husqvarna AB, SE-561 82 Huskvarna, SVÉDORSZÁG nevében, 2020. 02. 07.



Claes Losdal

A műszaki dokumentációk összeállításáért felelős személy az EU-n belül:

---

# Sommario

---

Introduzione.....	220	Ricerca guasti.....	231
Sicurezza.....	221	Trasporto, stoccaggio e smaltimento.....	233
Montaggio.....	226	Dati tecnici.....	234
Utilizzo.....	227	Dichiarazione di conformità CE.....	236
Manutenzione.....	229		

---

## Introduzione

---

### Panoramica del prodotto

(Fig. 1)

1. Innesto della coclea
2. Leva di controllo del regime di avanzamento
3. Pannello di comando
4. Cavo della coclea
5. Comando rotazione scivolo
6. Deflettore di scarico
7. Strumento di pulizia
8. Alloggiamento coclea
9. Coclee
10. Piastra di scorrimento
11. Pneumatico
12. Riempimento olio
13. Motore
14. Impugnatura inferiore
15. Asta di controllo del regime di avanzamento
16. Cavo di avanzamento
17. Maniglia fune avviamento autoavvolgente
18. Innesto della trasmissione
19. Impugnature
20. Primer
21. Valvola dell'aria
22. Interruttore del carburante
23. Chiave on/off
24. Manuale dell'operatore

### Descrizione del prodotto

Il prodotto è uno spazzaneve utilizzato per rimuovere la neve da terra.

### Uso previsto

Questo prodotto può essere utilizzato per rimuovere la neve da campi, strade, sentieri e vialetti. Non usate l'apparecchio su dislivelli superiori a 15°. Non utilizzare il dispositivo in aree in cui siano presenti detriti, sporcizia e pietre sporgenti.

### Symbols on the product

---

**Nota:** If the decals on the product are damaged, contact the distributor to replace them.

---

- (Fig. 2) Warning.
- (Fig. 3) Read the operator's manual.
- (Fig. 4)
- (Fig. 5) Hot surface.
- (Fig. 6) Risk of fire.
- (Fig. 7) Choke.
- (Fig. 8) Pull starter rope handle.
- (Fig. 9) Do not breathe in the exhaust fumes from the engine.
- (Fig. 10) Do not put any part of the body into the chute deflector or the auger housing when the augers rotate.
- (Fig. 11) Stop the engine before you remove snow from the chute deflector. Use the clean-out tool to remove snow, do not do it by hand.
- (Fig. 12)
- (Fig. 11) Keep hands away from the chute deflector.
- (Fig. 13) Objects can be ejected from the product.
- (Fig. 14) Keep bystanders away from the product when operating.
- (Fig. 15) Remove key before maintenance.
- (Fig. 16) Push in the on/off key to the RUN position.
- (Fig. 17) Turn the fuel switch to the ON position.
- (Fig. 18) Push the primer.
- (Fig. 19) Risk of falling.

- (Fig. 20) Move slowly rearward.
- (Fig. 21) Use approved protective gloves.
- (Fig. 22) Use a protective helmet. Use approved hearing protection. Use approved eye protection.
- (Fig. 23) Noise emissions to the environment according to European Directive 2000/14/EC and New South Wales legislation "Protection of the Environment Operations (Noise Control) Regulation 2017". Noise emission data can be found on the machine label and in the Technical data chapter.
- (Fig. 24) European machinery directive for safety.

**Nota:** Other symbols/decals on the product refer to certification requirements for some markets.

## Emissioni Euro V



**AVVERTENZA:** La manomissione del motore rende nulla l'omologazione UE del prodotto.

## Sicurezza

### Definizioni di sicurezza

Le definizioni riportate di seguito forniscono il livello di gravità per ciascuna delle parole di avvertenza.



**AVVERTENZA:** Lesioni alle persone.



**ATTENZIONE:** Danni al prodotto.

**Nota:** Queste informazioni rendono più semplice l'uso del prodotto.

### Modalità di funzionamento sicuro per spazzaneve con operatore a terra

#### Generale

La macchina ha una potenza sufficiente per amputare mani o piedi e scagliare violentemente gli oggetti. La mancata osservanza delle seguenti istruzioni di sicurezza può essere causa di gravi lesioni.

#### Addestramento

- Prima dell'uso, leggere, comprendere e seguire tutte le istruzioni riportate sulla macchina e nel/nei manuale/i. Studiare il funzionamento dei comandi e l'uso corretto del macchinario. È necessario sapere

## Produttore

Husqvarna AB

Drottninggatan 2, SE-561 82 Huskvarna

## Responsabilità del prodotto

Come indicato nelle leggi vigenti in materia di responsabilità obbligatoria sul prodotto, non siamo responsabili per eventuali danni causati dal nostro prodotto se:

- Il prodotto viene riparato in modo errato.
- Il prodotto viene riparato con parti che non provengono o non sono omologate dal produttore.
- Il prodotto contiene un accessorio che non proviene o non è omologato dal produttore.
- Il prodotto non viene riparato presso un centro di assistenza autorizzato o presso un'autorità competente.

come fermare la macchina e disinnestare i comandi rapidamente.

- Non permettere che la macchina sia utilizzata da bambini. Non consentire mai agli adulti di utilizzare la macchina senza opportune istruzioni.
- Mantenere l'area di lavoro libera da persone e, in particolare, da bambini piccoli.
- Prestare attenzione a non scivolare o cadere, soprattutto quando si aziona la macchina in retromarcia.

#### Preparazione

- Ispezionare attentamente l'area in cui la macchina deve essere utilizzata e rimuovere stuoini, slitte, assi, cavi e qualsiasi altro oggetto.
- Disinserire tutte le frizioni e mettere la leva del cambio in folle prima di avviare il motore.
- Non utilizzare la macchina se si indossano indumenti invernali non adeguati. Non indossare indumenti lenti che potrebbero impigliarsi nelle parti mobili. Indossare calzature che favoriscano la presa sulle superfici scivolose.
- Indossare sempre occhiali o maschere di sicurezza durante l'uso o quando si esegue una regolazione o una riparazione, per proteggere gli occhi dai corpi estranei che potrebbero essere lanciati dalla macchina.
- Maneggiare il carburante con attenzione in quanto è altamente infiammabile.
  - Utilizzare una tanica carburante approvata.

- Non aggiungere mai carburante quando il motore è in funzione o caldo.
- Riempire il serbatoio del carburante all'aperto e con estrema attenzione. Non riempire mai il serbatoio del carburante al chiuso.
- Non riempire mai i contenitori all'interno di un veicolo o sul pianale di un autocarro o di un rimorchio con copertura di materiale plastico. Collocare sempre i contenitori a terra, lontano dal veicolo, prima di riempirli.
- Quando possibile, rimuovere le macchine a benzina dall'autocarro o dal rimorchio e rifornirle a terra. Se questo non è possibile, rifornire le macchine su un rimorchio utilizzando un contenitore di carburante portatile e non l'erogatore di un distributore di benzina.
- Mantenere l'erogatore sempre a contatto con il bordo dell'apertura del serbatoio o del contenitore di carburante, fino al termine del rifornimento. Non usare un dispositivo di blocco che tenga aperto l'ugello.
- Reinscrivere saldamente il tappo del serbatoio della benzina e asciugare il carburante fuoriuscito.
- Se si versa della benzina sui propri indumenti, cambiare indumenti immediatamente.
- Utilizzare i cavi di prolunga e le prese specificati dal produttore per tutte le unità con motorini di avviamento elettrici.
- Regolare l'altezza del carter del raccogliatore per eliminare la ghiaia o la superficie rocciosa frantumata.
- Non tentare mai di effettuare regolazioni con il motore in funzione (se non espressamente raccomandato dal costruttore).
- Non far girare il motore in spazi chiusi, se non quando si avvia il motore e per il trasporto dello spazzaneve all'interno o all'esterno dell'edificio. Aprire le porte esterne; i fumi di scarico sono pericolosi.
- Procedere con estrema cautela quando si aziona la macchina in pendenza.
- Non azionare mai la macchina senza i ripari e gli altri dispositivi di protezione installati e funzionanti.
- Non rivolgere mai lo scarico verso le persone o verso aree dove potrebbero verificarsi danni. Tenere lontani i bambini e le persone in genere.
- Non sovraccaricare la macchina tentando di rimuovere la neve troppo velocemente.
- Non azionare mai la macchina ad alte velocità di marcia su superfici scivolose. Guardarsi indietro e procedere con cautela quando si lavora in retromarcia.
- Disinserire il raccogliatore o la girante quando si deve trasportare o non si utilizza la macchina.
- Usare solo attrezzi e accessori approvati dal produttore della macchina (come pesi delle ruote, contrappesi o cabine).
- Non utilizzare mai la macchina in caso di scarsa visibilità o assenza di luce. Accertarsi sempre di avere una buona presa con i piedi sul terreno e con le mani sul manubrio. Procedere adagio; non correre.
- Non toccare mai il motore o la marmitta caldi.

#### **Pulizia del deflettore di scarico in caso di intasamento**

- Il contatto delle mani con la girante all'interno del deflettore di scarico è la causa più frequente di lesioni associate agli spazzaneve. Non pulire mai il deflettore di scarico con le mani.
- Per eliminare gli intasamenti del camino:
  1. SPEGNERE IL MOTORE!
  2. Attendere 10 secondi affinché cessi la rotazione delle pale della girante.
  3. Utilizzare sempre un attrezzo per la pulizia, non le mani.

#### **Manutenzione e conservazione**

- Controllare frequentemente che perni di tranciamento e bulloni siano correttamente serrati per garantire che l'attrezzatura possa funzionare in maniera sicura.
- Non riporre la macchina con il carburante nel serbatoio in una rimessa in cui siano presenti fonti di ignizione, come riscaldatori per acqua calda, elementi di riscaldamento o abiti. Far raffreddare il motore prima di riporre la macchina al chiuso.
- Consultare sempre il manuale di istruzioni per i dettagli importanti se lo spazzaneve deve restare in rimessaggio per periodi prolungati.
- Sottoporre a manutenzione o sostituire le decalcomanie di sicurezza, secondo necessità.

#### **Utilizzo**

- Non porre le mani o i piedi vicino o sotto le parti rotanti. Restare sempre lontani dall'apertura di scarico.
- Procedere con estrema cautela quando si attraversano superfici ghiaiose o sentieri. Prestare attenzione ai pericoli nascosti o al funzionamento in prossimità di strade pubbliche.
- Se si urta un corpo estraneo, fermare il motore, rimuovere il cavo dalla candela, staccare il filo per i motori elettrici, controllare attentamente lo spazzaneve per verificare se ha subito danni e riparare gli eventuali danni prima di riavviarlo e utilizzarlo.
- Se la macchina dovesse iniziare a vibrare in maniera anomala, arrestare il motore e individuare immediatamente la causa. Le vibrazioni generalmente sono sintomo di problemi.
- Spegner il motore ogni volta che si lascia la posizione di lavoro, prima di liberare da intasamenti l'alloggiamento del raccogliatore o della girante o il deflettore di scarico, e quando si eseguono riparazioni, regolazioni o controlli.

- Far funzionare la macchina alcuni minuti dopo aver spazzato la neve per evitare il congelamento del raccogliore o della girante.
- Prima di ogni intervento di pulizia, riparazione o controllo dello spazzaneve, spegnere il motore e verificare che il raccogliore, la girante e tutte le parti mobili siano fermi. Scollegare il cavo da tutte le candele e allontanarlo in modo da impedire che qualcuno possa accendere il motore accidentalmente.
- Quando si utilizza questo prodotto, il motore genera un campo elettromagnetico. Il campo elettromagnetico può danneggiare gli impianti medici. Rivolgersi al medico e al produttore degli impianti medici prima di utilizzare il prodotto.
- Non consentire ai bambini di utilizzare il prodotto. Non permettere a chiunque non conosca le istruzioni di utilizzare il prodotto.
- Assistere sempre una persona, con capacità fisica o mentale ridotta, quando utilizza il prodotto. È necessaria sempre la supervisione di un adulto responsabile.

## Istruzioni di sicurezza generali

- Utilizzare il prodotto in modo corretto. Un uso improprio può causare lesioni o la morte. Utilizzare il prodotto solo per le attività riportate nel presente manuale. Non utilizzare il prodotto per altre attività.
- Attenersi alle istruzioni contenute nel presente manuale. Rispettare i simboli di sicurezza e le istruzioni di sicurezza. In caso di mancata osservanza delle istruzioni e dei relativi simboli, si potrebbero causare lesioni personali, danni o la morte.
- Non gettare il presente manuale. Utilizzare le istruzioni per assemblare, azionare e mantenere il prodotto in buone condizioni. Utilizzare le istruzioni per installare correttamente attrezzature e accessori. Utilizzare esclusivamente attrezzature e accessori omologati.
- Non utilizzare un prodotto danneggiato. Attenersi al programma di manutenzione. Eseguire solo gli interventi di manutenzione riportati nelle istruzioni di questo manuale. Tutti gli altri interventi di manutenzione devono essere effettuati da un centro di assistenza autorizzato.
- Il presente manuale non include tutte le situazioni che possono verificarsi quando si utilizza il prodotto. Prestare la massima attenzione e usare il buon senso. Non utilizzare mai il prodotto o eseguire interventi di manutenzione sul prodotto se non si è sicuri. Per ulteriori informazioni parlare con un esperto del prodotto, il vostro rivenditore, l'officina o il centro di assistenza autorizzato.
- Scollegare il cavo della candela prima di assemblare il prodotto, conservarlo in magazzino o eseguire la manutenzione.
- Non utilizzare il prodotto se è stato modificato in qualche modo rispetto alle caratteristiche iniziali. Non sostituire una parte del prodotto senza previa approvazione del produttore. Utilizzare solo parti approvate dal produttore. Una manutenzione impropria può causare lesioni o la morte.
- Non respirare i fumi provenienti dal motore. L'inalazione prolungata dei fumi di scarico del motore è dannosa per la salute.
- Non avviare il prodotto in ambienti chiusi o vicino a materiale infiammabile. I fumi di scarico sono molto caldi e possono contenere scintille in grado di provocare incendi. Un flusso d'aria insufficiente può causare lesioni o la morte dovute ad asfissia o al monossido di carbonio.
- Conservare il prodotto in un'area a cui bambini o persone non autorizzate non possano accedere.
- Il prodotto può espellere oggetti e causare lesioni. Attenersi alle istruzioni di sicurezza per ridurre il rischio di lesioni o morte.
- Non allontanarsi dal prodotto con il motore in funzione.
- L'operatore del prodotto è responsabile in caso di incidente.
- Prima e durante la retromarcia, guardare indietro e in basso accertandosi che non vi siano bambini piccoli, animali o altri rischi che potrebbero comportare una caduta.
- Verificare che i componenti non siano danneggiati prima di utilizzare il prodotto.
- Tenersi a una distanza di almeno 15 m (50 piedi) da persone o animali prima di utilizzare il prodotto. Verificare che le persone circostanti siano a conoscenza del fatto che il prodotto verrà azionato.
- Fare riferimento alle normative nazionali o locali, in quanto possono impedire o limitare il funzionamento del prodotto in determinate condizioni.

## Addestramento

- Prima dell'uso, leggere, comprendere e seguire tutte le istruzioni riportate sulla macchina e nel/nei manuale/i. Studiare il funzionamento dei comandi e l'uso corretto della macchina. È necessario sapere come fermare la macchina e disinnestare i comandi rapidamente.
- Non consentire mai ai bambini di utilizzare la macchina. Non consentire mai agli adulti di utilizzare la macchina senza opportune istruzioni.
- Mantenere l'area di lavoro libera da persone e, in particolare, da bambini piccoli.
- Prestare attenzione a non scivolare o cadere, soprattutto quando si aziona lo spazzaneve in retromarcia.

## Istruzioni di sicurezza per il funzionamento

- Non porre le mani o i piedi vicino o sotto le parti rotanti. Restare sempre lontani dall'apertura di scarico.

- Procedere con estrema cautela quando si attraversano superfici ghiaiose, sentieri o strade. Prestare attenzione ai pericoli nascosti o al traffico.
- Se si urta un corpo estraneo, fermare il motore, rimuovere il cavo dalla candela, staccare il filo per i motori elettrici, controllare attentamente il prodotto per verificare se abbia subito danni e riparare gli eventuali danni prima di riavviare e utilizzare il prodotto.
- Se il prodotto inizia a vibrare in maniera anomala, arrestare il motore e individuare immediatamente la causa. Le vibrazioni generalmente sono sintomo di problemi.
- Spegnerne il motore ogni volta che si lascia la posizione di lavoro, prima di liberare da intasamenti il carter della coclea o il deflettore di scarico, e quando si eseguono riparazioni, regolazioni o controlli.
- Prima di ogni intervento di pulizia, riparazione o controllo del prodotto, spegnere il motore e verificare che le trivelle e tutte le parti mobili siano ferme. Scollegare il cavo da tutte le candele e allontanarlo in modo da impedire che qualcuno possa accendere il motore accidentalmente.
- Non avviare il motore in spazi chiusi, se non quando si avvia il motore e per il trasporto del prodotto all'interno o all'esterno dell'edificio. Aprire le porte esterne; i fumi di scarico sono pericolosi.
- Procedere con estrema cautela quando si aziona la macchina in pendenza.
- Non azionare mai il prodotto senza i ripari e gli altri dispositivi di protezione installati e funzionanti.
- Non rivolgere mai il deflettore di scarico verso le persone o verso aree dove potrebbero verificarsi danni. Tenere lontani i bambini e le persone in genere.
- Non sovraccaricare il prodotto tentando di rimuovere la neve troppo velocemente.
- Non azionare mai il prodotto ad alte velocità di marcia su superfici scivolose. Guardarsi indietro e procedere con cautela quando si lavora in retromarcia.
- Disinserire le trivelle quando si deve trasportare o non si utilizza il prodotto.
- Usare solo gruppi di taglio e accessori approvati dal produttore del prodotto (come pesi delle ruote, contrappesi e cabine).
- Non utilizzare mai il prodotto senza una buona visibilità o senza luce. Accertarsi sempre di avere una buona presa con i piedi sul terreno e con le mani sul manubrio. Procedere adagio; non correre.
- Non toccare mai il motore o la marmitta caldi.
- Non utilizzare il prodotto indossando indumenti invernali non adeguati. Non indossare indumenti lenti che potrebbero impigliarsi nelle parti mobili. Indossare calzature che favoriscano la presa sulle superfici scivolose.
- Maneggiare il carburante con attenzione in quanto è altamente infiammabile.
  - Utilizzare una tanica carburante approvata.
  - Non aggiungere mai carburante quando il motore è in funzione o caldo.
  - Riempire il serbatoio del carburante all'aperto e con estrema attenzione. Non riempire mai il serbatoio del carburante al chiuso.
  - Non riempire mai i contenitori all'interno di un veicolo o sul pianale di un autocarro o di un rimorchio con copertura di materiale plastico. Collocare sempre i contenitori a terra, lontano dal veicolo, prima di riempirli.
  - Quando possibile, rimuovere le macchine a benzina dall'autocarro o dal rimorchio e rifornirle a terra. Se questo non è possibile, rifornire le macchine su un rimorchio utilizzando un contenitore di carburante portatile e non l'erogatore di un distributore di benzina.
  - Mantenere l'erogatore sempre a contatto con il bordo dell'apertura del serbatoio o del contenitore di carburante, fino al termine del rifornimento. Non usare un dispositivo di blocco che tenga aperto l'ugello.
  - Reinscrivere saldamente il tappo del serbatoio della benzina e asciugare il carburante fuoriuscito.
  - Se si versa della benzina sui propri indumenti, cambiare indumenti immediatamente.
- Utilizzare fili di prolunga e prese come specificati dal costruttore per tutte le macchine con motori elettrici o motorini di avviamento elettrici.
- Regolare l'altezza del carter della coclea per eliminare la ghiaia o la superficie rocciosa frantumata.
- Non tentare mai di effettuare regolazioni a motore acceso (salvo i casi esplicitamente consigliati dal produttore).
- Indossare sempre occhiali o maschere di sicurezza durante l'uso o quando si esegue una regolazione o una riparazione, per proteggere gli occhi dai corpi estranei che potrebbero essere lanciati dalla macchina.

## Abbigliamento protettivo personale

Indossare sempre il corretto abbigliamento protettivo personale durante l'utilizzo del prodotto. Questo include, come minimo, calzature robuste e dispositivi di protezione per gli occhi e per le orecchie. L'uso dell'abbigliamento protettivo personale non elimina il rischio di lesioni, ma ne riduce la gravità in caso di incidente.

## Sicurezza dell'area di lavoro

- Ispezionare attentamente l'area in cui la macchina deve essere utilizzata e rimuovere tuoini, slitte, assi, cavi e qualsiasi altro oggetto.
- Disinserire tutte le frizioni e mettere la leva del cambio in folle prima di avviare il motore.



- Indossare sempre occhiali di sicurezza o protezioni per gli occhi quando si utilizza il prodotto o si eseguono manutenzione o riparazioni.
- Indossare sempre indumenti invernali appropriati durante il funzionamento del prodotto.
- Usare sempre stivali robusti anti-scivolo con un buon supporto per le caviglie durante l'utilizzo del prodotto.
- Non indossare mai abiti larghi che potrebbero restare impigliati nelle parti in movimento.
- Utilizzare guanti protettivi omologati, se necessario. Ad esempio, quando si collega, si esamina o si pulisce la lama.
- Utilizzare sempre protezioni acustiche omologate durante l'uso del prodotto. Un rumore prolungato può provocare la perdita dell'udito.

## Dispositivi di sicurezza sul prodotto

- Eseguire regolarmente la manutenzione del prodotto.
  - Ciò aumenta la durata del prodotto.
  - E riduce il rischio di incidenti.

Far esaminare il prodotto da un rivenditore o un centro di assistenza autorizzati per eventuali regolazioni o riparazioni.

- Non utilizzare un prodotto con abbigliamento protettivo danneggiato. Se il prodotto è danneggiato, rivolgersi a un centro di assistenza autorizzato.

## Marmitta

La marmitta assicura il minimo livello acustico e allontana i fumi di scarico dall'operatore.

Non utilizzare il prodotto se la marmitta è mancante o difettosa. Una marmitta difettosa aumenta il livello acustico e il rischio di incendio.



**AVVERTENZA:** La marmitta si surriscalda durante e dopo l'uso e quando il motore funziona al regime minimo. Prestare attenzione in prossimità di materiali infiammabili e/o fumi per evitare incendi.

## Sicurezza nell'uso del carburante



**AVVERTENZA:** Leggere le seguenti avvertenze prima di utilizzare il prodotto.

- Non avviare il prodotto nel caso in cui vi sia carburante o olio motore su di esso. Rimuovere il carburante/olio indesiderato e lasciare che il prodotto si asciughi.
- In caso di perdite di carburante sugli indumenti, cambiarsi immediatamente.
- Il carburante non deve arrivare a contatto con il corpo, poiché può causare lesioni. In caso di

contatto del carburante con il corpo, rimuoverlo con acqua e sapone.

- Non avviare il prodotto se il motore presenta una perdita. Esaminare regolarmente il motore per verificare la presenza di eventuali perdite.
- Prestare la massima attenzione con il carburante. Il carburante è infiammabile e i fumi sono esplosivi quindi possono causare lesioni o morte.
- Non respirare i fumi del carburante perché possono causare lesioni. Accertarsi che ci sia un flusso d'aria sufficiente.
- Non fumare in prossimità del carburante o del motore.
- Non posizionare oggetti caldi in prossimità del carburante o del motore.
- Non aggiungere carburante a motore acceso.
- Assicurarsi che il motore sia freddo prima di effettuare il rifornimento.
- Prima di effettuare il rifornimento, aprire lentamente il tappo del serbatoio del carburante e rilasciare la pressione con cautela.
- Non aggiungere carburante al motore in un ambiente chiuso. Un flusso d'aria insufficiente può causare lesioni o la morte dovute ad asfissia o al monossido di carbonio.
- Stringere completamente il tappo del serbatoio del carburante. Se il tappo del serbatoio carburante non è serrato, vi è il rischio di incendio.
- Prima dell'avviamento, spostare il prodotto di almeno 3 m/10 ft dal punto in cui è stato riempito il serbatoio del carburante.
- Non riempire completamente il serbatoio del carburante. Il calore provoca l'espansione del carburante. Lasciare dello spazio nella parte superiore del serbatoio del carburante.

## Avvertenza chimica



**AVVERTENZA:** I gas di scarico del motore di questo prodotto contengono sostanze chimiche ritenute dallo Stato della California causa di cancro, difetti congeniti e altri danni al sistema riproduttivo. Per ulteriori informazioni, visitare il sito Web all'indirizzo [www.P65Warnings.ca.gov](http://www.P65Warnings.ca.gov).

## Istruzioni di sicurezza per la manutenzione



**AVVERTENZA:** Leggere le seguenti avvertenze prima di utilizzare il prodotto.

- I fumi di scarico del motore contengono monossido di carbonio, un gas inodore, velenoso ed estremamente pericoloso. Non avviare il motore in ambienti o spazi chiusi.

- Prima di eseguire la manutenzione del prodotto, arrestare il motore e rimuovere il cavo di accensione dalla candela.
- Indossare guanti protettivi quando si eseguono interventi di manutenzione sulle lame. Le lame sono molto affilate e ci si può ferire facilmente.
- Accessori e modifiche apportate al prodotto che non siano stati approvati dal costruttore possono causare gravi lesioni, anche fatali. Non apportare modifiche al prodotto. Utilizzare sempre accessori approvati dal produttore.

- Se la manutenzione non viene eseguita correttamente e con regolarità, aumenta il rischio di lesioni personali e danni al prodotto.
- Eseguire esclusivamente gli interventi di manutenzione riportati nel presente manuale operatore. Tutti gli altri interventi di manutenzione devono essere svolti da un'officina autorizzata.
- Rivolgersi a un'officina autorizzata per far svolgere regolarmente interventi di manutenzione sul prodotto.
- Sostituire le parti danneggiate, usurate o rotte.

---

## Montaggio

---



**AVVERTENZA:** Leggere e comprendere il capitolo sulla sicurezza prima di montare il prodotto.

### Installazione delle impugnature

1. Rimuovere i 4 bulloni flangiati M8x25 (A) dal carter.
2. Utilizzare i 4 bulloni flangiati M8x25 (A), i 4 distanziali (B) a molla e i 4 distanziali piatti (C).
3. Montare l'impugnatura inferiore (D) nei 2 fori su ciascun lato del carter. (Fig. 25)
4. Utilizzare i 3 bulloni di bloccaggio dell'impugnatura M8x50 (A), i 3 distanziali (B), le 3 manopole dell'impugnatura (C) e i 3 dadi di bloccaggio (D).
5. Montare l'impugnatura superiore con il pannello di comando (E) sull'impugnatura inferiore. (Fig. 26)

### Montaggio del deflettore di scarico

1. Rimuovere il disco rotante (B) e i 6 bulloni flangiati esagonali (D) dal carter.
2. Fissare il disco rotante (B) e il deflettore di scarico (A) sulla base del deflettore utilizzando 3 blocchi di limitazione (C).
3. Utilizzare 6 bulloni flangiati esagonali (D) e 6 dadi di bloccaggio (E) per bloccare i blocchi di limitazione (C). (Fig. 27)

### Montaggio del disco rotante del deflettore

1. Montare l'estremità anteriore del disco rotante del deflettore.
2. Montare la bussola di plastica (B) sull'estremità anteriore del disco rotante del deflettore.
3. Fissare il disco rotante del deflettore con 1 distanziale piatto (A) e 1 forcina (C). (Fig. 28)
4. Montare l'estremità posteriore del disco rotante del deflettore.

5. Utilizzare 1 dado di bloccaggio M8 (A), 1 manopola dell'impugnatura di bloccaggio in plastica (B), 2 distanziali curvi (C) e 1 livella a vite (D) per montare il disco rotante del deflettore.
6. Utilizzare 1 dado esagonale M8 (E) per fissare il disco rotante del deflettore (F) nei fori dell'impugnatura. (Fig. 29)

### Montaggio l'asta di controllo del regime di avanzamento

1. Montare l'estremità lunga piegata dell'asta di controllo del regime di avanzamento (A) sul pannello di comando e fissarla con 1 molla (B) della biella, 1 distanziale piatto (C) e 1 coppiglia (D). (Fig. 30)
2. Sollevare la piastra di collegamento (B) del cambio e montare l'estremità piegata corta dell'asta di controllo del regime di avanzamento (A). Fissare l'asta di controllo del regime di avanzamento (A) con 1 distanziale piatto (C) e 1 coppiglia (D). (Fig. 31)
3. Se necessario, estendere l'asta di controllo del regime di avanzamento Allentare i dadi di bloccaggio del tenditore e ruotare il tenditore. Serrare il tenditore nella posizione originale per un corretto controllo della velocità. La posizione originale è contrassegnata sulle filettature. (Fig. 32)

### Montaggio dei cavi di coclea e dispositivo di azionamento

1. Rimuovere i 2 bulloni a vite (B) dai cavi (D).
2. Fissare i 2 bulloni a vite (B) dei cavi ai fori sulle impugnature sinistra e destra (A). (Fig. 33)
3. Fissare i cavi (D) ai relativi bulloni a vite (B).
4. Collegare e bloccare l'inserto filettato dei cavi sinistro e destro (D) e il bullone a vite (B) del cavo finché la parte superiore del contro dado in ottone (C) non è allineata con il contrassegno sulle filettature (E).
5. Bloccare il cavo con il contro dado in ottone (C).



**AVVERTENZA:** Prima di utilizzare il prodotto, leggere attentamente e assicurarsi di aver compreso il capitolo Sicurezza e le istruzioni di funzionamento.

### Prima di utilizzare il prodotto

- Tenere persone e animali all'esterno dell'area di lavoro.
- Eseguire la manutenzione giornaliera. Vedere *Programma di manutenzione alla pagina 229*.
- Accertarsi che il cavo di accensione si inserisca correttamente sulla candela.
- Aggiungere olio o benzina, se necessario. Vedere *Per riempire il motore con olio alla pagina 227*.

### Per riempire il motore con olio



**ATTENZIONE:** Non ruotare l'asta di livello dell'olio quando si effettua il controllo dell'olio. Non riempire oltre il contrassegno.

1. Rimuovere il tappo dell'olio e pulire l'asta di livello. Per la posizione dell'asta di livello, vedere *Panoramica del prodotto alla pagina 220*.
2. Aggiungere l'olio fino al contrassegno superiore sull'asta di livello. Utilizzare l'asta di livello per fare un controllo del livello dell'olio a intervalli regolari.
3. Rimettere il tappo dell'olio.

### Per il rifornimento del carburante

Se disponibile, utilizzare benzina alchilata/a basso livello di emissioni. Se non è disponibile benzina alchilata/a basso livello di emissioni, utilizzare benzina senza piombo di buona qualità. Utilizzare benzina con un numero minimo di ottani pari a 90 RON al di fuori del Nordamerica (87 (R+M)/2 in Nordamerica) e con una percentuale massima di etanolo del 10% (E10).



**ATTENZIONE:** Non utilizzare mai benzina con un numero di ottani inferiore a 90 RON al di fuori del Nordamerica (87 (R+M)/2 in Nordamerica). Ciò può causare danni al prodotto.

1. Aprire lentamente il tappo del serbatoio del carburante per rilasciare la pressione.
2. Riempire lentamente il serbatoio con una tanica di carburante. Se si versa del carburante, rimuoverlo con un panno e lasciare asciugare eventuali residui.
3. Pulire l'area intorno al tappo del serbatoio del carburante.
4. Stringere completamente il tappo del serbatoio del carburante. Se il tappo del serbatoio del carburante non è serrato, vi è il rischio di incendio.

5. Prima dell'avviamento, spostare il prodotto di almeno 3 m (10 ft) dal punto in cui è stato riempito il serbatoio del carburante.

### Regolazione del deflettore di scarico

La direzione di lancio della neve è controllata dal comando di rotazione scivolo montato sull'impugnatura sinistra.

1. Ruotare il comando rotazione scivolo per impostare la direzione di rotazione dello spazzaneve.
2. Ruotare il comando rotazione scivolo in senso orario per lanciare la neve verso destra.
3. Ruotare il comando rotazione scivolo in senso antiorario per lanciare la neve verso sinistra. (Fig. 34)
4. Spostare il deflettore angolare verso l'alto o verso il basso per regolare la distanza di lancio della neve. (Fig. 35)

### Avviamento del motore

1. Rilasciare l'innesto della trasmissione. Posizionare la leva di controllo del regime di avanzamento nella prima posizione.
2. Portare l'interruttore del carburante in posizione ON. (Fig. 36)
3. Portare il comando dell'aria in posizione di chiusura. (Fig. 37)
4. Premere la chiave di on/off nella posizione RUN (avanzamento). (Fig. 38)
5. Premere il primer 1-3 volte per avviare la pompa booster. Utilizzare la pompa booster per l'avviamento a freddo alle basse temperature. (Fig. 39)
6. Tirare l'impugnatura di avviamento autoavvolgente. (Fig. 40)



**ATTENZIONE:** Non rilasciare rapidamente l'impugnatura di avviamento autoavvolgente. Riportarla in posizione di avvio lentamente.

**Nota:** Se l'impugnatura di avviamento autoavvolgente è bloccata, estrarre il più lentamente possibile la fune dal motorino di avviamento e rilasciare l'impugnatura di avviamento autoavvolgente. Se il motore non si avvia, ripetere la procedura oppure utilizzare l'avviamento elettrico.

7. Avviare il motore a regime minimo 30-40 secondi prima di iniziare a spazzare la neve.
8. Quando il motore è caldo, portare la valvola dell'aria nella posizione di apertura. (Fig. 41)

## Avviamento del motore, avviamento elettrico



**AVVERTENZA:** Il prodotto dispone di un motorino di avviamento elettrico a 230 V AC. Non usare il motorino di avviamento elettrico se la casa non dispone di un sistema di messa a terra a 230 V AC. Potrebbero verificarsi gravi lesioni personali o danni al prodotto. Il motorino di avviamento elettrico è dotato di una presa di alimentazione a tre fili ed è progettato per l'utilizzo della corrente domestica a 230 V AC. Assicurarsi che la casa sia dotata di un sistema di messa a terra a 230 V AC. In caso di dubbi, rivolgersi a un elettricista autorizzato.

**Nota:** Utilizzare una prolunga consigliata per l'uso all'aperto, con dimensioni del filo non inferiori a 16 AWG (1,5 mm<sup>2</sup>) e non superiori a 50 piedi (15 m).

1. Rilasciare l'innesto della trasmissione. Posizionare la leva di controllo del regime di avanzamento nella prima posizione.
2. Portare l'interruttore del carburante in posizione ON. (Fig. 36)
3. Portare il comando dell'aria in posizione di chiusura. (Fig. 37)
4. Premere la chiave di on/off nella posizione RUN (avanzamento). (Fig. 38)
5. Premere il primer 1-3 volte per avviare la pompa booster. Utilizzare la pompa booster per l'avviamento a freddo alle basse temperature. (Fig. 39)
6. Collegare il prodotto alla presa elettrica. (Fig. 42)
7. Tenere premuto il pulsante di avvio sulla scatola di comando per 5 secondi. (Fig. 43)
8. Se il motore non si avvia, attendere 5 secondi prima di premere di nuovo il pulsante di avvio.



**ATTENZIONE:** Non cercare di avviare il motore più di 10 volte. Dopo 10 volte, attendere 40 minuti prima di riprovare.

9. Scollegare il cavo di alimentazione dal prodotto quando viene avviato il motore.
10. Avviare il motore a regime minimo 30-40 secondi prima di iniziare a spazzare la neve.
11. Quando il motore è caldo, portare la valvola dell'aria nella posizione di apertura. (Fig. 41)

## Utilizzo del prodotto

1. Premere l'innesto della coclea sull'impugnatura per innestare la coclea e spazzare la neve. (Fig. 44)

2. Spostare la leva di controllo del regime di avanzamento a sinistra per azionare il prodotto in avanti. Spostare la leva di controllo del regime di avanzamento a destra per azionare il prodotto all'indietro. (Fig. 45)
3. Azionare l'innesto della trasmissione con l'impugnatura destra.
4. Premere l'innesto della trasmissione sull'impugnatura per innestare le ruote motrici. Il prodotto si sposta in avanti o all'indietro a seconda della posizione della leva controllo del regime di avanzamento. (Fig. 46)

## Arresto del prodotto

**Nota:** Per spegnere il motore in caso di emergenza, estrarre la chiave on/off.

1. Rilasciare l'innesto della trasmissione per arrestare le ruote motrici.
2. Rilasciare l'innesto della coclea per disinnestare la coclea e arrestare il lancio della neve. (Fig. 47)
3. Portare l'interruttore del carburante in posizione OFF. (Fig. 48)
4. Estrarre la chiave on/off. (Fig. 49)

## Per ottenere un buon risultato

- Far girare il motore sempre a pieno regime o vicino al massimo.
- Adattare sempre la velocità del prodotto alla situazione della neve e regolare la velocità con la leva della trasmissione. Accertarsi che il prodotto spazzi la neve in modo uniforme.
- È più facile ed efficiente rimuovere la neve subito dopo la caduta.
- Quando possibile, lanciare la neve sottovento.
- Su superfici piane, come strade asfaltate, sollevare le piastre di sciorimento fino a 5-6 mm (0,2 - 0,25 poll) dal suolo.
- La barra raschiante è reversibile. Quando diviene usurata quasi fino al bordo dell'alloggiamento, rovesciarla. Sostituire la barra raschiante se è danneggiata, o se entrambi i lati sono usurati.
- Non spedire il deflettore dello scivolo se è intasato.
- Se il prodotto non si sposta in avanti a causa di circostanze impreviste, rilasciare immediatamente l'innesto della trasmissione o portare la chiave ON/OFF su OFF.

## Programma di manutenzione

Manutenzione	Giornaliera	20 ore	50 ore	100 ore
Assicurarsi che i dadi e le viti siano ben serrati	X			
Effettuare un controllo del livello dell'olio motore	X			
Sostituire l'olio <sup>79</sup>		X	X	X
Assicurarsi che non vi siano perdite di olio o carburante	X			
Rimuovere l'ostruzione, oggetti estranei nella coclea	X			
Controllare la pressione degli pneumatici <sup>80</sup>			X	
Controllare e cambiare la candela <sup>81</sup>				X

**Nota:** Non è necessario aggiungere grasso o per eseguire altri interventi di manutenzione alla trasmissione.

### Ispezione generale

- Controllare che tutti i dadi e le viti del prodotto siano serrati correttamente.

### Per eseguire il controllo del livello dell'olio



**ATTENZIONE:** Se il livello dell'olio è troppo basso si possono verificare danni al motore. Controllare il livello dell'olio prima di avviare il prodotto.

- Posizionare il prodotto su un terreno in piano.
- Rimuovere il tappo del serbatoio dell'olio con l'annessa asta di livello.
- Pulire l'olio dall'asta di livello.

- Inserire l'asta di livello interamente all'interno del serbatoio dell'olio per avere un'immagine corretta del livello dell'olio.
- Rimuovere l'asta di livello.
- Controllare il livello dell'olio sull'asta di livello.
- Se il livello dell'olio è basso, rabboccare con olio motore ed eseguire nuovamente un controllo del livello dell'olio.

### Cambio dell'olio motore

- Azionare il motore per alcuni minuti per riscaldare l'olio. L'olio caldo scorre meglio e asporta più impurità.
- Posizionare il prodotto su un terreno in piano.
- Far girare il motore fino a consumare tutto il carburante.
- Rimuovere la chiave di accensione.



**AVVERTENZA:** L'olio del motore è caldo. Evitare il contatto della pelle con l'olio motore usato.

<sup>79</sup> Sostituire l'olio dopo le prime 20 ore, 50 ore, 100 ore e successivamente ogni 100 ore.

<sup>80</sup> Vedere i Dati tecnici per la corretta pressione dei pneumatici.

<sup>81</sup> Controllare e pulire la candela prima dell'uso ogni anno.

5. Collocare un contenitore sotto il tappo di drenaggio dell'olio.
6. Rimuovere il tappo di drenaggio dell'olio, inclinare il prodotto all'indietro e scaricare l'olio usato nel contenitore. (Fig. 50)
7. Riportare il prodotto in posizione di funzionamento.
8. Montare il tappo di drenaggio dell'olio e serrarlo a fondo manualmente.
9. Riempire il motore con olio, vedere *Per riempire il motore con olio alla pagina 227*.

- a) Su superfici piane impostare la distanza tra la barra raschiante e il terreno su 5-6 mm (0,2 -0,25").
- b) Su superfici ruvide regolare le piastre di scorrimento (A) in una posizione in cui la barra raschiante si trovi sopra la parte superiore del terreno.



**AVVERTENZA:** Accertarsi che ghiaia e sassi non entrino nel prodotto. Oggetti espulsi ad alta velocità possono causare lesioni gravi.

## Controllo della candela



**ATTENZIONE:** Usare candele originali o del tipo raccomandato. Un tipo di candela errato può danneggiare il prodotto.

- Controllare la candela nel caso in cui il motore giri a bassa potenza, risulti difficile da avviare o non funzioni correttamente al regime minimo.
- Per ridurre il rischio di accumulo di materiale superfluo sugli elettrodi delle candele, osservare le seguenti istruzioni:
  - a) Accertarsi che il regime minimo sia regolato correttamente.
  - b) Accertarsi che il tipo di carburante sia corretto.
  - c) Accertarsi che il filtro dell'aria sia pulito.
- Se la candela è incrostata, pulirla e controllare che la distanza tra gli elettrodi sia corretta; vedere *Dati tecnici alla pagina 234*. (Fig. 51)
- Sostituire la candela secondo necessità.

## Per ispezionare la coclea e la barra raschiante

1. Prima di ogni utilizzo, controllare che la coclea e la barra raschiante non presentino segni di usura.
2. Se il bordo della barra raschiante è usurato, rovesciare la lama raschiante. Se la barra raschiante presenta danni o è usurata su entrambi i bordi, sostituirla.
3. Se i bordi delle coclee sono usurati, contattare un centro di assistenza autorizzato per sostituirli.

## Regolazione delle piastre di scorrimento

Le piastre di scorrimento evitano di danneggiare la parte inferiore dello spazzaneve. Regolare le piastre di scorrimento (A) quando il controdado (B) è allentato, oppure la piastra di scorrimento non è alla giusta distanza dal suolo. Non sono necessarie regolazioni per un'installazione standard.

1. Allentare il controdado (B) con una chiave da 13 mm (1/2").
2. Spostare le piastre di scorrimento (A) verso l'alto o verso il basso.

3. Serrare il controdado (B). (Fig. 52)

## Sostituzione del perno di tranciamento

I perni di tranciamento proteggono il prodotto da eventuali danni. Si rompe se un oggetto estraneo entra nelle parti in movimento.

1. Se il perno di tranciamento si rompe, arrestare il motore.
2. Montare un nuovo perno di tranciamento (A) e una nuova molla di serraggio (B). (Fig. 53)

## Esaminare gli pneumatici

- Mantenere gli pneumatici privi di carburante, olio e prodotti chimici per evitare di danneggiare la gomma.
- Mantenere gli pneumatici lontano da ceppi, pietre, solchi, oggetti appuntiti e altri oggetti che potrebbero causare danni ai pneumatici.
- Mantenere la corretta pressione dei pneumatici, fare riferimento a *Dati tecnici alla pagina 234*.

## Rimozione di un deflettore dello scivolo ostruito

Non sbloccare il deflettore dello scivolo di scarico prima di aver eseguito le seguenti operazioni.

1. Rilasciare l'innesto della coclea e l'innesto della trasmissione allo stesso tempo.
2. Attendere 10 secondi per assicurarsi che le coclee siano ferme.
3. Arrestare il prodotto.
4. Utilizzare lo strumento di pulizia (almeno 37 cm (15")), in dotazione su alcuni modelli, per rimuovere l'ostruzione.



**AVVERTENZA:** Non mettere le mani nel deflettore dello scivolo di scarico o all'interno della benna miscelatrice.

## Per pulire il prodotto

- Pulire le parti in plastica con un panno pulito e asciutto.
- Non utilizzare una lancia ad alta pressione per pulire il prodotto.

- Non dirigere getti d'acqua sul motore.

- Utilizzare una spazzola per rimuovere foglie, erba e sporcizia.

---

## Ricerca guasti

---

### Ricerca dei guasti

Problema	Possibile causa	Soluzione
Il prodotto non si avvia	La chiave di accensione di sicurezza non è inserita.	Inserire la chiave di accensione di sicurezza.
	Il prodotto ha esaurito il carburante.	Riempire il serbatoio del carburante con benzina nuova e pulita.
	L'interruttore on/off è nella posizione OFF.	Spostare l'interruttore on/off nella posizione ON.
	Il comando dell'aria è in posizione OFF (CLOSE).	Portare la leva del comando dell'aria in posizione ON (FULL, OPEN).
	La pompa non è premuta.	Premere la pompa.
	Il motore è allagato.	Attendere alcuni minuti prima di riavviarlo, NON eseguire l'adescamento.  Riavviare il motore a pieno regime e il comando dell'aria in posizione OFF (chiusura).
	Il filo della candela non è collegato.	Collegare il filo alla candela.
	La candela è difettosa.	Sostituire la candela.
	Presenza di acqua nel carburante o il carburante è troppo vecchio.	Svuotare il serbatoio del carburante e il carburatore. Riempire il serbatoio del carburante con benzina nuova e pulita.
	È presente dello sporco nel tubo del carburante.	Accertarsi che tutte le tubazioni del carburante si trovino al di sotto dell'uscita del serbatoio del carburante. Il condotto dovrebbe scorrere verso il basso senza interruzioni dal serbatoio del carburante al carburatore.
	Altre cause.	Ispezionare attentamente le procedure di avviamento nel presente manuale.
L'interruttore del carburante (se in dotazione) si trova nella posizione di chiusura (OFF).	Posizionare l'interruttore del carburante in posizione OPEN (ON).	
L'acceleratore è in posizione di arresto STOP.	Portare l'acceleratore in posizione FAST (veloce).	

<b>Problema</b>	<b>Possibile causa</b>	<b>Soluzione</b>
Potenza ridotta	Il filo della candela non è collegato.	Collegare il filo alla candela.
	Il prodotto getta troppa neve.	Diminuire la velocità e la larghezza dell'andana.
	Il tappo del serbatoio del carburante è coperto di ghiaccio o di neve.	Togliere il ghiaccio e la neve sopra e intorno al tappo del serbatoio del carburante.
	La marmitta è sporca o intasata.	Pulire o sostituire la marmitta.
	Lunghezza cavo errata.	Regolare il cavo.
	La marmitta è bloccata.	Assicurarsi che il motore sia freddo. Eliminare l'inceppamento.
	Le prese d'aria del carburatore sono bloccate.	Assicurarsi che il motore sia freddo. Eliminare l'inceppamento.
Il motore gira al minimo o funziona male	Il comando dell'aria è in posizione ON (PIENO, APERTO).	Spostare il comando dell'aria in posizione OFF (CHIUSO).
	Il tubo del carburante è intasato.	Pulire il tubo del carburante.
	Presenza di acqua nel carburante o il carburante è troppo vecchio.	Svuotare il serbatoio del carburante e il carburatore. Riempire il serbatoio del carburante con benzina nuova e pulita.
	Il carburatore deve essere sostituito.	Contattare un'officina di assistenza autorizzata.
	La cinghia è tesa.	Sostituire la cinghia a V della coclea.
Vibrazione/Movimento della maniglia eccessivi	Alcune parti sono allentate. Le coclee sono danneggiate.	Serrare tutte le viti. Sostituire tutte le parti danneggiate. Se la vibrazione persiste, contattare un centro di assistenza autorizzato.
	Le leve non sono posizionate correttamente.	Accertarsi che le impugnature siano bloccate in posizione.
	I dadi della leva di regolazione sono allentati.	Serrare i dadi fino a quando la maniglia sia sicura.
L'impugnatura di avviamento autoavvolgente è difficile da tirare	L'impugnatura di avviamento autoavvolgente è congelata.	Estrarre il più lentamente possibile la fune dal motorino di avviamento e rilasciare l'impugnatura di avviamento autoavvolgente. Se il motore non si avvia, ripetere la procedura oppure utilizzare l'avviamento elettrico.
	La fune interferisce con i componenti.	La fune autoavvolgente non dovrebbe toccare nessun cavo o tubo.



Problema	Possibile causa	Soluzione
Perdita di trazione/rallentamento della velocità della trasmissione	La cinghia slitta.	Regolare il cavo. Regolare la cinghia.
	La cinghia è usurata.	Controllare/sostituire la cinghia.
Perdita di scarico della neve o rallentamento nello scarico della neve	La cinghia è fuori dalla puleggia.	Controllare/reinstallare la cinghia.
	Il deflettore di scarico è intasato.	Pulire il deflettore di scarico.
	Oggetti estranei ostruiscono le coclee.	Rimuovere i detriti o l'oggetto estraneo dalle coclee.
	Il perno di tranciamento è rotto.	Sostituire il perno di tranciamento rotto.
	Accumuli di neve e ghiaccio eccessivi si fermano tra i componenti della turbina.	Togliere gli accumuli di neve e ghiaccio dai componenti della pista.
	La ruota di trascinamento ad attrito è usurata.	Contattare un'officina di assistenza autorizzata.
Mancata rotazione della coclea dopo il rilascio dell'impugnatura	La cinghia di trasmissione non è allineata.	Regolare la cinghia di trasmissione.
	Il deflettore di scarico non è allineato.	Regolare il deflettore di scarico.
Le spie sono spente (se in dotazione)	Il motore non è in funzione.	Avviare il motore.
	Il collegamento del filo è allentato.	Controllare i collegamenti dei fili del motore e delle luci.
	Il LED è bruciato.	Sostituire il modulo luci LED. Singoli LED non possono essere sostituiti.
Il rotore di scarico è difficile da spostare	Sono presenti dei residui nel meccanismo del rotore di scarico.	Pulire le parti interne del meccanismo del rotore di scarico.
	I cavi sono attorcigliati o danneggiati.	Assicurarsi che i bulloni non siano attorcigliati. Sostituire i cavi danneggiati.
Il prodotto ruota su un lato	La pressione dei pneumatici non è uguale.	Regolare la pressione dei pneumatici e riempirli.
	Il prodotto viene azionato con una sola ruota.	Ispezionare il perno di bloccaggio del pneumatico.
	Regolazione della slitta irregolare.	Regolare le piastre di scorrimento e la slitta.
	Regolazione delle piastre di scorrimento irregolare.	Regolare le piastre di scorrimento e la slitta.

## Trasporto, stoccaggio e smaltimento

### Trasporto e conservazione

- Per trasportare e conservare il prodotto e il carburante, accertarsi che non vi siano perdite o fumi. Scintille o fiamme aperte, provocate ad esempio da dispositivi elettrici o caldaie, possono innescare un incendio.
- Utilizzare sempre contenitori approvati per la conservazione e il trasporto del carburante.
- Svuotare il serbatoio del carburante prima di riporre il prodotto per un lungo periodo di tempo.
- Se la vaschetta del carburante del carburatore è dotata di un tappo di drenaggio, svuotare il carburante dal carburatore prima di rimettere il

prodotto in rimessaggio per un lungo periodo di tempo.

- Fissare in sicurezza il prodotto durante il trasporto per evitare danni o incidenti.
- Conservare il prodotto in un'area chiusa a chiave per impedire l'accesso a bambini o persone non autorizzate.
- Conservare il prodotto in un luogo asciutto e al riparo dal gelo.

## Smaltimento

- Rispettare le norme locali e le normative vigenti.
- Smaltire tutte le sostanze chimiche, quali olio motore o carburante, presso un centro assistenza o un centro di smaltimento applicabili.
- Smaltire il prodotto in un centro approvato o inviarlo a Husqvarna per lo smaltimento.

---

## Dati tecnici

---

### Dati tecnici

	ST 124
<b>Dimensioni</b>	
Peso con serbatoi vuoti, kg	76
Pressione di esercizio degli pneumatici max., PSI	20
Altezza aspirazione, cm	53,3
Larghezza di lavoro, cm	61
<b>Motore</b>	
Marchio	Husqvarna
Potenza nominale motore, kW	4,3
Cilindrata, cc	212
Tipo di carburante	Normale senza piombo (massimo 10% di etanolo).
Capacità serbatoio carburante, gal / l	0,58 / 2,2
Tipo di olio (API SJ-SN)	SAE 5W30 (inferiore a 0 °C (32 °F))
Capacità serbatoio olio fl. oz. / l	20 / 0,6
<b>Impianto elettrico</b>	
Candela	F7RTC
Distanza tra gli elettrodi della candela, (poll. / mm)	0,027-0,031 / 0.7-0.8
<b>Emissioni di rumore <sup>82</sup></b>	
Livello potenza acustica, misurato dB(A)	100
Livello di potenza acustica, garantito L <sub>WA</sub> dB(A)	102
<b>Livelli di rumorosità <sup>83</sup></b>	

<sup>82</sup> Emissioni di rumore nell'ambiente misurate come potenza sonora (L<sub>WA</sub>) ai sensi delle direttive CE 2000/14/CE e 2005/88/CE. I dati riportati per le emissioni di rumore hanno una dispersione statistica tipica (deviazione standard) di 1,5 dB(A). Incertezza =1,5 dB(A).

<sup>83</sup> Livello di pressione acustica in ottemperanza alla norma EN ISO 11201. I dati riportati per il livello di pressione acustica hanno una dispersione statistica tipica (deviazione standard) di 1,5 dB(A). Incertezza =1,5 dB(A).

	<b>ST 124</b>
Livello di pressione acustica misurato all'orecchio dell'operatore $L_{PA}$ dB(A)	86
<b>Livelli di vibrazioni, <math>a_{hveq}</math><sup>84</sup></b>	
Livello di vibrazione sull'impugnatura, sinistra / destra	4,15 / 4,08

---

<sup>84</sup> Livello di vibrazioni a norma ISO 8437-4 Allegato B. incertezza=1,5 m/s<sup>2</sup>

---

## Dichiarazione di conformità CE

---

### CONTENUTO DELLA DICHIARAZIONE DI CONFORMITÀ CE

Husqvarna AB, SE-561 82 Husqvarna, SVEZIA, dichiara sotto la propria esclusiva responsabilità che il prodotto indicato:

Descrizione	Spazzaneve
Marchio	Husqvarna
Piattaforma / Tipo / Modello	ST 124
Lotto	A partire dal numero di serie 2020 e successivi

è pienamente conforme alle seguenti norme e direttive UE:

Direttiva/norma	Descrizione
2006/42/CE	"relativa alle macchine"
2014/30/UE	"sulla compatibilità elettromagnetica"
2000/14/CE; 2005/88/CE	"sul rumore esterno"
2011/65/UE	"restrizione dell'uso di determinate sostanze pericolose"

Le norme armonizzate e/o le specifiche tecniche applicate sono le seguenti: EN ISO 12100:2010, EN ISO 14982:2009, ISO 8437-1:2019, ISO 8437-2:2019, ISO 8437-4:2019, ISO 3744:1995, EN 1032:2003+A1:2008, EN 50581:2012

In conformità alle direttive 2000/14/CE+2005/88/CE, Allegato V, i valori per i livelli sonori dichiarati sono riportati nella sezione Dati tecnici del presente manuale e nel documento firmato Dichiarazione di conformità CE.

Lo spazzaneve in dotazione è conforme al modello sottoposto al test per l'omologazione.

Per conto di Husqvarna AB, SE-561 82 Huskvarna, SVEZIA, 2020-02-07



Claes Losdal

Persona responsabile per la compilazione dei fascicoli tecnici stabiliti all'interno dell'UE

---

# Saturs

---

levads.....	237	Problēmu novēršana.....	248
Drošība.....	238	Pārvadāšana, glabāšana un utilizēšana.....	250
Montāža.....	242	Tehniskie dati.....	251
Lietošana.....	243	EK atbilstības deklarācija.....	253
Apkope.....	245		

---

# levads

---

## Izstrādājuma pārskats

(Att. 1)

1. Gliemežvārpstas aktivizēšana
2. Piedziņas apgriezīu skaita regulēšanas svira
3. Vadības pults
4. Gliemežvārpstas kabelis
5. Teknes rotatora vadīkla
6. Teknes novirzītājs
7. Tīrīšanas rīks
8. Gliemežvārpstas korpus
9. Gliemežvārpstas
10. Aizsargplāksne
11. Riepa
12. Eļļas uzpilde
13. Dzinējs
14. Apakšējais rokturis
15. Piedziņas apgriezīu skaita regulēšanas stienis
16. Piedziņas kabelis
17. Atsietna startera rokturis
18. Piedziņas palaides svira
19. Rokturi
20. Degvielas padeves ierīce
21. Gaisa drosele
22. Degvielas slēdzis
23. Ieslēgšanas/izslēgšanas taustiņš
24. Lietošanas rokasgrāmata

## Izstrādājuma apraksts

Izstrādājums ir sniega metējs, ko izmanto zemes atīrīšanai no sniega.

## Paredzētā lietošana

Šo izstrādājumu var izmantot, lai notīrītu sniegu no laukiem, ceļiem, ietvēm un piebraucamajiem ceļiem. Neizmantojiet to nogāzēs, kuru slīpums pārsniedz 15°. Neizmantojiet izstrādājumu vietās, kur ir daudz atkritumu, neīrūmu un akmeņu.

## Symbols on the product

---

**Piezīme:** If the decals on the product are damaged, contact the distributor to replace them.

---

- (Att. 2) Warning.
- (Att. 3) Read the operator's manual.
- (Att. 4)
- (Att. 5) Hot surface.
- (Att. 6) Risk of fire.
- (Att. 7) Choke.
- (Att. 8) Pull starter rope handle.
- (Att. 9) Do not breathe in the exhaust fumes from the engine.
- (Att. 10) Do not put any part of the body into the chute deflector or the auger housing when the augers rotate.
- (Att. 11) Stop the engine before you remove snow from the chute deflector. Use the clean-out tool to remove snow, do not do it by hand.
- (Att. 12)
- (Att. 11) Keep hands away from the chute deflector.
- (Att. 13) Objects can be ejected from the product.
- (Att. 14) Keep bystanders away from the product when operating.
- (Att. 15) Remove key before maintenance.
- (Att. 16) Push in the on/off key to the RUN position.
- (Att. 17) Turn the fuel switch to the ON position.
- (Att. 18) Push the primer.
- (Att. 19) Risk of falling.

- (Att. 20) Move slowly rearward.
- (Att. 21) Use approved protective gloves.
- (Att. 22) Use a protective helmet. Use approved hearing protection. Use approved eye protection.
- (Att. 23) Noise emissions to the environment according to European Directive 2000/14/EC and New South Wales legislation "Protection of the Environment Operations (Noise Control) Regulation 2017". Noise emission data can be found on the machine label and in the Technical data chapter.
- (Att. 24) European machinery directive for safety.

**Piezīme:** Other symbols/decals on the product refer to certification requirements for some markets.

## Euro V emisija



**BRĪDINĀJUMS:** Motora atvēršana anulē šī ķēdes zāga ES tipa apstiprinājumu.

## Drošība

### Drošības definīcijas

Tālāk sniegtās definīcijas norāda katra signālvārda nozīmīguma līmeni.



**BRĪDINĀJUMS:** Traumas.



**IEVĒROJIET:** Izstrādājuma bojājumi.

**Piezīme:** Šī informācija atvieglo izstrādājuma lietošanu.

### Norādījumi drošai stumjamo sniega metēju ekspluatācijai

#### Vispārīgi

Šī iekārta var nopietni savainot rokas un kājas, kā arī izmētāt priekšmetus, ar kuriem tā saskaras. Tālāk uzskaitīto drošības norādījumu neievērošana var izraisīt smagus savainojumus.

#### Apguvs

- Pirms šīs ierīces lietošanas izlasiet, izprotiet un rūpīgi izpildiet norādījumus uz ierīces un rokasgrāmatā(-s). Pilnībā iepazīstieties ar iekārtas vadības ierīcēm un pareizas lietošanas norādījumiem. Iemācieties ātri apturēt iekārtu un atslēgt vadības ierīces.

## Ražotājs

Husqvarna AB

Drottninggatan 2, SE-561 82 Huskvarna

## Atbildība par izstrādājuma kvalitāti

Saskaņā ar likumiem par izstrādājuma kvalitāti mēs neuzņemamies atbildību par bojājumiem, ko radījis mūsu izstrādājums, ja:

- ir veikts nepareizs izstrādājuma remonts;
- izstrādājuma remonts ir veikts, izmantojot detaļas, ko nav nodrošinājis vai apstiprinājis ražotājs;
- izstrādājumam tiek pievienots piederums, ko nav nodrošinājis vai apstiprinājis ražotājs;
- izstrādājuma remonts nav veikts pilnvarotā remontdarbnīcā vai pie pilnvarota speciālista.

- Nekad neļaujiet bērniem vadīt mašīnu. Neļaujiet iekārtu izmantot pieaugušajiem, kas nav pienācīgi apmācīti.
- Raugiet, lai darba zonā neviens neatrastos, it īpaši mazi bērni.
- Esiet piesardzīgs – nepasīdīdiet un nepakrītiēd, it īpaši vadot iekārtu atpakaļgaitā.

#### Sagatavošanās

- Rūpīgi pārbaudiet zonu, kurā lielosit iekārtu, un noņemiet kājslauķus, kamanas, dēļus, vadus un citus traucēkļus.
- Pirms dzinēja (motora) iedarbināšanas izspiediet visus saņūgus un pārvietojiet pārslēgu neitrālā pozīcijā.
- Nestrādājiet ar iekārtu, ja neesat uzvilcis piemērotu ziemas apģērbu. Nepieļaujiet nenostiprināta apģērbā iekļūšanu kustošajās sniega tīrītāja daļās. Izmantojiet apavus, kas nodrošina stabilitāti uz slidenām virsmām.
- Lai pasargātu acis no svešķermeņiem, ko ierīce varētu izsviest, vienmēr izmantojiet aizsargbrilles vai acu aizsargus ierīces lietošanas, regulēšanas vai remonta laikā.
- Rīkojieties ar degvielu piesardzīgi – tā viegli uzliesmo.
  - Lietojiet piemērotu degvielas tvertni.
  - Nepievienojiet degvielu iedarbināta vai sakarsuša dzinēja laikā.

- Uzpildiet degvielas tvertni āra apstākļos, veicot to īpaši uzmanīgi. Neuzpildiet degvielas tvertni telpās.
- Neuzpildiet tvertnes transportlīdzeklī, kravas automašīnā vai uz piekabes platformas. Pirms uzpildes novietojiet tvertnes uz zemes, atstātus no transportlīdzekļa.
- Noņemiet ar gāzi darbināmu aprīkojumu no kravas automašīnas vai piekabes un iepildiet degvielu, novietojot aprīkojumu uz zemes. Ja tas nav iespējams, novietojiet aprīkojumu uz piekabes un iepildiet degvielu, izmantojot pārvietojamu tvertni, nevis benzīna iepildes pistoli
- Vienmēr turiet sprauslu tā, lai tā saskaras ar degvielas tvertnes vai konteinaera atvēruma malu, līdz uzpilde ir pabeigta. Nelietojiet iepildes pistoles fiksatoru, kas bloķē to atvārtā stāvoklī.
- Cieši nostipriniet atpakaļ benzīna iepildes vāciņu un noslaukiet izlijušo degvielu.
- Ja degviela ir nokļuvusi uz drēbēm, nekavējoties tās nomainiet.
- Lietojiet pagarinātājus un spraudlīdzdas, kas atbilstoši ražotāja norādēm ir piemēroti motoriem ar elektrisko piedziņu.
- Noregulējiet savācēja korpusa augstumu atbilstīgi akmeņu vai grants virsmai.
- Nekad neregulējiet aprīkojumu, ja dzinējs (motors) darbojas (izņemot gadījumus, kad to iesaka ražotājs).
- Nevērsiet sniega strūklu uz cilvēkiem vai zonām, kur tā var sabojāt īpašumu. Raugiet, lai bērni un citas personas atrastos drošā attālumā.
- Nepārslogojiet sniega metēju, mēģinot tīrīt sniegu pārāk ātri.
- Nebrauciet ar sniega metēju ātri pa slidenām virsmām. Pārvietojošies atpakaļgaitā, esiet uzmanīgs un skatieties uz aizmuguri.
- Apturiet savācēja/lāpstīnriteņa energoapgādi, ja transportējat vai neizmantojat iekārtu.
- Izmantojiet tikai tādas palīgierīces un piederumus, kuru izmantošanu apstiprinājis iekārtas ražotājs (piemēram, riteņu svarus, pretsvarus, kabīnes utt.).
- Neizmantojiet iekārtu nepietiekamas redzamības apstākļos. Vienmēr pievērsiet uzmanību kāju pozīcijai un cieši satveriet rokturus. Ejiet, nekad neskrīniet.
- Nepieskarieties karstam dzinējam vai slāpētājam.

### Nosprostotas izmešanas teknes tīrīšana

- Darbā ar sniega metējiem visbiežāk tiek traumētas rokas – tās savaino rotējošais lāpstīnriteņa izmešanas teknes iekšpusē. Netīriet nosprostotu izmešanas tekni ar rokām!
- Lai attīrītu tekni, veiciet tālāk norādītās darbības.
  1. APTURIET DZINĒJU!
  2. Uzgaidiet 10 sekundes, lai pārlicinātos, ka lāpstīnriteņa asmeņi vairs negriežas.
  3. Vienmēr izmantojiet tīrīšanas rīku, nevis rokas.

### Lietošana

- Neturiet rokas vai kājas blakus vai zem rotējošām daļām. Turieties atstatus no izmešanas atveres.
- Esiet īpaši piesardzīgs, izmantojot iekārtu uz grants piebrauktuvēm vai ietvēm. Uzmanieties no slēptiem apdraudējumiem un ievērojiet piesardzību, izmantojot iekārtu netālu no koplietošanas ceļiem.
- Ja izstrādājums saskaras ar svešķermeņi, apturiet dzinēju (motoru), atvienojiet aizdedzes sveces kabeli, atvienojiet elektrisko motoru kabeli un rūpīgi pārbaudiet, vai sniega metējs nav bojāts. Pirms sniega metēja atkārtotas iedarbināšanas un izmantošanas novērsiet bojājumus.
- Ja iekārta sāk pārmērīgi vibrēt, izslēdziet dzinēju (motoru) un nekavējoties noskaidrojiet vibrācijas iemeslu. Parasti vibrācija liecina par problēmu.
- Apturiet dzinēju (motoru) pirms darba vietas atstāšanas, savācēja/lāpstīnriteņa korpusa vai izmešanas teknes nosprostojuma novēršanas, kā arī pirms remonta, regulēšanas vai pārbaudes.
- Nedarbiniet dzinēju iekšelpās, izņemot gadījumus, kad sniega metējs ir jāiedarbina, lai pārvietotu to ārā no iekšelpām vai atpakaļ. Atveriet izejas durvis, jo izplūdes gāzes ir bīstamas.
- Esiet īpaši piesardzīgs, darbojoties ar sniega metēju nogāzē.
- Nedarbiniet iekārtu, ja atbilstošie aizsargi un citas aizsargierīces nav uzstādītas un nedarbojas.

### Apkope un glabāšana

- Lai aprīkojums būtu drošā darba stāvoklī, regulāri pārbaudiet, vai cirpes bultskrūves un citas skrūves ir cieši pievilkta.
- Ja ierīces degvielas tvertne ir degviela, nekādā gadījumā neglabājiet to ēkā, kurā ir aizdegšanās avoti, piemēram, karstā ūdens un telpu sildītāji, drēbju žāvētāji u. c. Pirms sniega metēja novietošanas glabāšanai telpās ļaujiet dzinējam atdzist.
- Ja paredzēts glabāt sniega metēju ilgāku laika periodu, skatiet svarīgu informāciju lietotāja rokasgrāmatā.
- Ja nepieciešams, atjauniniet vai nomainiet drošības uzlīmes.
- Lai savācējs/lāpstīnriteņa nesusaltu, pēc sniega tīrīšanas darbiniet ierīci dažas minūtes.
- Sniega metēja tīrīšanas, remonta vai pārbaudes laikā apturiet dzinēju un pārlicinieties, vai savācējs/lāpstīnriteņa un visas kustīgās daļas ir apstājušās. Atvienojiet aizdedzes sveces kabeli un netaujiet tam saskartes ar aizdedzes sveci, lai nepieļautu nejaušu dzinēja iedarbināšanu.

### Vispārīgi norādījumi par drošību

- Lietojiet izstrādājumu pareizi. Nepareiza lietošana var radīt smagas vai nāvējošas traumas. Izmantojiet izstrādājumu tikai šajā rokasgrāmatā aprakstītajiem

darbiem. Nelietojiet izstrādājumu citiem uzdevumiem.

- Ievērojiet šīs rokasgrāmatas norādījumus. Ievērojiet drošības simbolus un drošības instrukcijas. Ja operators neievēro norādījumus un simbolus, var tikt radīti aprikojuma bojājumi, smagas vai nāvējošas traumas.
- Neizmēti šo rokasgrāmatu. Izmantojiet norādījumus, lai saliktu, lietotu un uzturētu šo izstrādājumu labā stāvoklī. Izmantojiet norādījumus pareizai palīģierīču un piederumu uzstādīšanai. Izmantojiet tikai apstiprinātās palīģierīces un piederumus.
- Nelietojiet bojātu izstrādājumu. Ievērojiet apkopes grafiku. Veiciet tikai tos apkopes darbus, kas aprakstīti šajā rokasgrāmatā. Pārējos apkopes darbus uzticiet pilnvarotam apkopes centram.
- Šī rokasgrāmatā nevar ietver visas situācijas, kas var rasties, izmantojot šo izstrādājumu. Esiet uzmanīgs un saprātīgs. Nelietojiet izstrādājumu un neveiciet tā apkopi, ja neesat drošs par radušos situāciju. Sazinieties ar izstrādājuma speciālistu, izplatītāju, apkopes pārstāvi vai pilnvarotu apkopes centru, lai saņemtu papildinformāciju.
- Pirms izstrādājuma montāžas, novietošanas uzglabāšanā vai apkopes veikšanas atvienojiet aizdedzes sveces kabeli.
- Neizmantojiet izstrādājumu, ja tā sākotnējā specifika ir mainīta. Nemainiet izstrādājuma detaļas bez ražotāja apstiprinājuma. Izmantojiet tikai tādas detaļas, ko ir apstiprinājis ražotājs. Veicot nepareizu apkopi, var tikt radītas smagas vai nāvējošas traumas.
- Neieelpojiet dzinēja radītos izgarojumus. Ilgstoša dzinēja izplūdes gāzu ieelpošana var apdraudēt veselību.
- Nelietojiet izstrādājumu telpās vai ugunsnedrošu materiālu tuvumā. Izplūdes gāzes ir karstas un var saturēt dzirksteli, kas var izraisīt aizdegšanos. Nepietiekama gaisa plūsma var izraisīt savainojumus vai nāvi, nosmokot vai saindējoties ar oglekļa monoksīdu (tvana gāzi).
- Produkta lietošanas laikā tā dzinējs rada elektromagnētisko lauku. Elektromagnētiskais lauks var radīt medicīnisko implantātu bojājumus. Pirms izmantot izstrādājumu, sazinieties ar ārstu vai medicīniskā implantāta ražotāju.
- Neļaujiet bērniem lietot šo izstrādājumu. Neļaujiet lietot izstrādājumu personai, kas nav iepazinusies ar lietošanas norādījumiem.
- Ja izstrādājumu izmanto persona ar samazinātām fiziskajām vai garīgajām spējām, vienmēr uzraugiet šo personu. Tuvumā vienmēr jābūt pieaugušajam.
- Ieslēdziet izstrādājumu vietā, kurai nevar piekļūt bērni un nepiederušas personas.
- Izstrādājums var izsviest objektus un radīt traumas. Ievērojiet drošības instrukcijas, lai samazinātu smagu vai nāvējošu traumu gūšanas risku.
- Neatstājiet izstrādājumu, kad darbojas tā dzinējs.

- Izstrādājuma lietotājs ir atbildīgs par radušos negadījumu.
- Pirms pārvietošanās un pārvietojoties atpakaļgaitā, skatieties atpakaļ un lejup, lai izvairītos no maziem bērniem, dzīvniekiem vai citiem pakļūšanas riskiem.
- Pirms produkta lietošanas pārliecinieties, vai tā detaļas nav bojātas.
- Pirms produkta lietošanas pārliecinieties, vai atrodaties vismaz 15 m (50 pēdu) attālumā no citām personām vai dzīvniekiem. Informējiet tuvumā esošas personas par to, ka izmantosit produktu.
- Ievērojiet valsts vai vietējos likumus. Tie var neļaut vai ierobežot izstrādājuma lietošanu noteiktos apstākļos.

## Apguve

- Pirms šīs ierīces lietošanas izlasiet, izprotiet un rūpīgi izpildiet norādījumus uz ierīces un rokasgrāmatā(-s). Pilnībā apgūstiet vadības ierīču darbību un norādījumus par aprikojuma pareizu lietošanu. Iemācieties ātri apturēt iekārtu un atslēgt vadības ierīces.
- Neļaujiet bērniem izmantot aprikojumu. Neļaujiet aprikojumu izmantot pieaugušajiem, kas nav pienācīgi apmācīti.
- Raugiet, lai darba zonā neviens neatrastos, it īpaši mazi bērni.
- Esiet piesardzīgs – nepasīdīdiet un nepakrītiēd, it īpaši vadot sniega metēju atpakaļgaitā.

## Norādījumi par drošu darbu

- Neturiet rokas vai kājas blakus vai zem rotējošām daļām. Turieties atstatos no izmešanas atveres.
- Esiet īpaši piesardzīgs, lietojot ierīci uz grants piebrauktuvēm, ietvēm vai ceļiem vai šķērsojot tos. Pievērsiet uzmanību slēptam apdraudējumam vai satiksmei.
- Ja izstrādājums saskaras ar svešķermeņi, apturiet dzinēju (motoru), atvienojiet aizdedzes sveces kabeli, atvienojiet elektriskā dzinēja kabeli un rūpīgi pārbaudiet, vai izstrādājums nav bojāts. Nelietojiet izstrādājumu, ja bojājums nav novērsts.
- Ja izstrādājums sāk pārmērīgi vibrēt, apturiet dzinēju (motoru) un nekavējoties noskaidrojiet vibrācijas iemeslu. Parasti vibrācija liecina par problēmu.
- Apturiet dzinēju (motoru) pirms darba vietas atstāšanas, gliemežvārpstas korpusa vai izmešanas novirzītāja aizsērējuma novēršanas, kā arī pirms remontēšanas, regulēšanas vai pārbaudes.
- Pirms izstrādājuma tīrīšanas, remonta vai pārbaudes apturiet dzinēju un pārliecinieties, vai gliemežvārpstas un visas kustīgās daļas ir apstājušās. Atvienojiet aizdedzes sveces kabeli un neļaujiet tam saskarties ar aizdedzes sveci, lai nepieļautu nejašu dzinēja iedarbināšanu.
- Nedarbiniet dzinēju iekšelpās, izņemot gadījumus, kad izstrādājums ir jāiedarbina, lai pārvietotu to ārā no iekšelpām vai atpakaļ. Atveriet izejas durvis, jo izplūdes gāzes ir bīstamas.



- Esiet īpaši piesardzīgs, darbojoties ar sniega metēju nogāzē.
- Nelietojiet izstrādājumu, ja atbilstošie aizsargi un citas aizsargierīces nav uzstādītas un nedarbojas.
- Nevērsiet teknes novirzītāju uz cilvēkiem vai vietām, kur var sabojāt īpašumu. Raugiet, lai bērni un citas personas atrastos drošā attālumā.
- Nepārslogojiet izstrādājumu, mēģinot tīrīt sniegu pārāk ātri.
- Nepārvietojiet izstrādājumu pa slidenām virsmām lielā ātrumā. Pārvietojoties atpakaļgaitā, esiet uzmanīgs un skatieties uz aizmuguri.
- Atvienojiet gliemežvārpstu energoapgādi, ja transportējat vai neizmantojat izstrādājumu.
- Izmantojiet tikai tādas palīgierīces un piederumus, kuru izmantošanu apstiprinājis izstrādājuma ražotājs (piemēram, riteņu svarus, pretsvarus, kabīnes utt.).
- Neizmantojiet izstrādājumu nepietiekamas redzamības apstākļos. Vienmēr pievērsiet uzmanību kāju pozīcijai un cieši satveriet rokturus. Ejiet, nekad neskrīniet.
- Nepieskarieties karstam dzinējam vai slāpētājam.

## Darba zonas drošība

- Rūpīgi pārbaudiet zonu, kurā lielos apmēros aprikojumu, un aizvāciet kājslaukus, kamanas, slīdes, vadus un citus traucēkļus.
- Pirms dzinēja (motora) iedarbināšanas izspiediet visus saņūgus un pārvietojiet pārslēgu neitrālā pozīcijā.
- Nestrādājiet ar izstrādājumu, ja neesat uzvilcis piemērotu ziemas apģērbu. Nepieļaujiet nenostiprināta apģērbu iekļūšanu kustošajās sniega tīrītāja daļās. Izmantojiet apavus, kas nodrošina stabilitāti uz slidenām virsmām.
- Rīkojieties ar degvielu piesardzīgi – tā viegli uzliesmo.
  - Lietojiet piemērotu degvielas tvertni.
  - Nepievienojiet degvielu iedarbināta vai sakarsuša dzinēja laikā.
  - Uzpildiet degvielas tvertni āra apstākļos, veicot to īpaši uzmanīgi. Neuzpildiet degvielas tvertni telpās.
  - Neuzpildiet tvertnes transportlīdzeklī, kravas automašīnā vai uz piekabes platformas. Pirms uzpildes novietojiet tvertnes uz zemes, atstāvis no transportlīdzekļa.
  - Noņemiet ar gāzi darbināmu aprikojumu no kravas automašīnas vai piekabes un iepildiet degvielu, novietojot aprikojumu uz zemes. Ja tas nav iespējams, novietojiet aprikojumu uz piekabes un iepildiet degvielu, izmantojot pārvietojamu tvertni, nevis benzīna iepildes pistoli
  - Vienmēr turiet sprauslu tā, lai tā saskaras ar degvielas tvertnes vai konteineru atvēruma malu, līdz uzpilde ir pabeigta. Nelietojiet iepildes pistoles fiksatoru, kas bloķē to atvērtā stāvoklī.

- Cieši nostipriniet atpakaļ benzīna iepildes vāciņu un noslaukiet izlijušo degvielu.
- Ja degviela ir nokļuvusi uz drēbēm, nekavējoties tās nomainiet.
- Lietojiet pagarinātājus un spraudlīdzdas, kas atbilstīgi ražotāja norādēm ir piemēroti motoriem ar elektrisko piedziņu vai motoriem ar elektrisko starteri.
- Noregulējiet gliemežvārpstas korpusa augstumu, lai tas nesaskartos ar akmeņu vai grants virsmu.
- Nekad neregulējiet aprikojumu, ja dzinējs (motors) darbojas (izņemot gadījumus, kad to iesaka ražotājs).
- Lai pasargātu acis no svešķermeņiem, ko ierīce varētu izsviest, vienmēr izmantojiet aizsargbrilles vai acu aizsargus ierīces lietošanas, regulēšanas vai remonta laikā.

## Individuālie aizsarglīdzekļi

Lietojot izstrādājumu, vienmēr izmantojiet atbilstošus individuālos aizsarglīdzekļus. Obligāti izmantojiet izturīgus apavus, acu aizsarglīdzekļus un dzirdes aizsarglīdzekļus. Individuālais drošības aprikojums nevar pilnībā novērst traumu gūšanas risku, tomēr samazinās traumu apmēru, ja notiks negadījums.

- Lietojot, apkopjot vai remontējot izstrādājumu, obligāti izmantojiet aizsargbrilles vai acu aizsarglīdzekļus.
- Vienmēr nēsājiet piemērotu ziemas apģērbu, kad lietojat izstrādājumu.
- Vienmēr nēsājiet izturīgus zābakus ar neslīdošu zoli un labu poftes atbalstu, kad lietojat izstrādājumu.
- Nevalkājiet vaļīgu apģērbu, kas var iekerties kustīgajās daļās.
- Ja nepieciešams, izmantojiet apstiprinātus aizsargcimdus. Piemēram, tas jādara, uzstādot, pārbaudot vai tīrot asmeni.
- Lietojot izstrādājumu, vienmēr izmantojiet atbilstošus ausu aizsarglīdzekļus. Ilgstošs troksnis var izraisīt dzirdes zudumu.

## Izstrādājuma drošības ierīces

- Regulāri veiciet izstrādājuma apkopi.
  - Tiek pagarināts izstrādājuma darbmužs.
  - Tiek samazināts negadījumu risks.

Ļaujiet pilnvarotam izplatītājam vai pilnvarotam apkopes centram regulāri pārbaudīt izstrādājumu, lai veiktu regulēšanu vai remontu.

- Neizmantojiet izstrādājumu, ja ir bojāts drošības aprikojums. Ja izstrādājums ir bojāts, sazinieties ar pilnvarotu apkopes centru.

## Slāpētājs

Slāpētājs maksimāli mazina troksni un novirza motora izplūdes gāzes prom no operatora.

Nelietojiet izstrādājumu, ja slāpētājs nav piestiprināts vai ir bojāts. Bojāts slāpētājs palielina trokšņa līmeni un aizdegšanās risku.



**BRĪDINĀJUMS:** Lietošanas laikā, tūlīt pēc tās un tad, kad dzinējs darbojas tukšgaitā, slāpētājs ļoti uzkarst. Lai novērstu aizdegšanos, esiet piesardzīgs uzliesmojošu materiālu un/vai gāzu tuvumā.

## Drošības norādījumi, rīkojoties ar degvielu



**BRĪDINĀJUMS:** Pirms sākat lietot izstrādājumu, izlasiet tālāk izklāstītās brīdinājuma instrukcijas.

- Nelietojiet izstrādājumu, ja uz tā ir degviela vai dzinēja eļļa. Notīriet nevēlamo degvielu/eļļu un ļaujiet izstrādājumam nožūt.
- Ja degviela ir nokļuvusi uz apģērba, nekavējoties pārgērbieties.
- Neļaujiet degvielai nonākt uz ķermeņa, jo tā var izraisīt savainojumus. Ja degviela ir nonākusi uz ķermeņa, izmantojiet ziepes un ūdeni, lai to nomazgātu.
- Nelietojiet izstrādājumu, ja dzinējā ir sūce. Regulāri pārbaudiet, vai dzinējam nav radusies sūce.
- Rīkojoties ar degvielu, esiet uzmanīgs. Degviela ir viegli uzliesmojoša, tās tvaiki ir sprādzienbīstami, un var izraisīt savainojumus vai nāvi.
- Neieelpojiet degvielas tvaikus, jo tie var izraisīt savainojumus. Pārliecinieties, vai gaisa plūsma ir pietiekama.
- Nesmēķējiet degvielas vai dzinēja tuvumā.
- Nenovietojiet siltus objektus degvielas vai dzinēja tuvumā.
- Nepievienojiet degvielu dzinēja darbības laikā.
- Pirms degvielas uzpildes pārliecinieties, vai dzinējs ir atdzisis.
- Pirms uzpildes lēni atveriet degvielas tvertnes vāciņu un uzmanīgi izlaidiet spiedienu.
- Neveiciet dzinēja degvielas uzpildi telpās. Nepietiekama gaisa plūsma var izraisīt savainojumus vai nāvi, nosmokot vai saindējoties ar oglekļa monoksīdu (tvana gāzi).
- Pilnībā piegrieziet degvielas tvertnes vāciņu. Ja degvielas tvertnes vāciņš nav piegriezts, pastāv aizdegšanās risks.

- Pirms iedarbināšanas pārvietojiet izstrādājumu vismaz 3 m (10 pēdas) no vietas, kur piepildījāt tvertni.
- Nepiepildiet degvielas tvertni pilnībā. Siltuma ietekmē degviela izplešas. Atstājiet degvielas tvertnes augšdaļu tukšu.

## Brīdinājums par ķīmikālijām



**BRĪDINĀJUMS:** Šī izstrādājuma dzinēja izplūdes gāzes satur ķīmikālijas, par kurām ir zināms, ka tās Kalifornijas štatā ir izraisījušas vēzi, iedzimtus defektus un citus reproduktīvus kaitējumus. Papildinformāciju skatiet vietnē [www.P65Warnings.ca.gov](http://www.P65Warnings.ca.gov).

## Norādījumi par drošu apkopi



**BRĪDINĀJUMS:** Pirms sākat lietot izstrādājumu, izlasiet tālāk izklāstītās brīdinājuma instrukcijas.

- Dzinēja izplūdes gāzes satur oglekļa monoksīdu, kas ir indīga un ļoti bīstama gāze bez aromāta. Nedarbiniet dzinēju iekšelpās vai slēgtās telpās.
- Pirms veicat izstrādājuma apkopi, vispirms izslēdziet dzinēju un atvienojiet aizdedzes vadu no aizdedzes sveces.
- Veicot asmeņu apkopi, nēsājiet aizsargcimdus. Asmeņi ir ļoti asi, un ar tiem var viegli sagriezties.
- Piederumi un pārveidojumi izstrādājumā, kurus ražotājs nav apstiprinājis, var izraisīt nopietnas traumas vai nāvi. Nepārveidojiet izstrādājumu. Izmantojiet tikai tādus piederumus, ko ir apstiprinājis ražotājs.
- Ja apkope netiek veikta pareizi un regulāri, trauma gūšanas risks un bojājumu izstrādājumam risks palielinās.
- Veiciet tikai to apkopi, kas norādīta lietotāja rokasgrāmatā. Visi pārējie apkopes darbi jāveic apkopes pārstāvim.
- Ļaujiet apkopes pārstāvim regulāri veikt izstrādājuma apkopi.
- Nomainiet bojātās, nodilušās un salūzušās detaļas.

## Montāža



**BRĪDINĀJUMS:** Pirms izstrādājuma montāžas izlasiet un izprotiet drošības norādījumus.

### Rokuru uzstādīšana

1. Izņemiet no korpusa 4 M8x25 atloka skrūves (A).

2. Izmantojiet 4 M8x25 atloka skrūves (A), 4 atspere starplikas (B) un 4 plakanās starplikas (C).
3. Uzstādiat apakšējo rokturi (D) 2 atverēs katrā korpusa malā. (Att. 25)
4. Izmantojiet 3 M8x50 rokturu bloķēšanas skrūves (A), 3 starplikas (B), 3 roktura fiksatorus (C) un 3 pretuzgriežņus (D).

- Uzstādiat augšējo rokturi ar vadības paneli (E) uz apakšējā roktura. (Att. 26)

## Teknes novirzītāja montāža

- Izņemiet no korpusa rotatora disku (B) un 6 sešstūra atloka skrūves (D).
- Pievienojiet rotatora disku (B) un teknes novirzītāju (A) pie teknes pamatnes, izmantojot 3 ierobežojošos blokus.
- Izmantojiet 6 sešstūra atloka skrūves (D) un 6 pretuzgriežņus (E), lai nofiksētu ierobežojošos blokus. (Att. 27)

## Teknes rotatora montāža

- Samontējiet teknes rotatora priekšējo galu.
- Uzstādiat plastmasas buksi (B) uz teknes rotatora priekšējā gala.
- Pievienojiet teknes rotatoru, izmantojot 1 plakano starpliku (A) un 1 adatas tapu (C). (Att. 28)
- Samontējiet teknes rotatora aizmugurējo galu.
- Teknes rotatora montāžai izmantojiet 1 pretuzgriežni M8 (A), 1 plastmasas roktura fiksatoru (B), 2 izliektas starplikas (C) un 1 skrūves sviru (D).
- Izmantojiet 1 sešstūra uzgriežni M8 (E), lai nofiksētu teknes rotatoru (F) roktura atverēs. (Att. 29)

## Piedziņas apgriezienu skaita regulēšanas stieņa montāža

- Uzstādiat piedziņas apgriezienu skaita regulēšanas stieņa (A) garo izliekto galu pie vadības paneļa un

pievienojiet to, izmantojot 1 savienojošā stieņa atsperi (B), 1 plakano starpliku (C) un 1 šķelttapu (D). (Att. 30)

- Pavelciet augšup maiņas savienojošo plāksni (B) un uzstādiat piedziņas apgriezienu skaita regulēšanas stieņa (A) īso izliekto galu. Pievienojiet piedziņas apgriezienu skaita regulēšanas stieni (A), izmantojot 1 plakano starpliku (C) un 1 šķelttapu (D). (Att. 31)
- Ja nepieciešams, pagariniet piedziņas apgriezienu skaita regulēšanas stieni. Pagrieziet valīgāk vītņotās skavas pretuzgriežņus un rotējiet vītņoto skavu. Pievelciet vītņoto skavu līdz sākotnējai atrašanās vietai, lai nodrošinātu atbilstošu ātruma regulēšanu. Sākotnējā atrašanās vieta ir atzīmēta uz vītņēm. (Att. 32)

## Gliemežvārpstas un piedziņas kabeļu montāža

- Noņemiet 2 kabeļu skrūvju bultskrūves (B) no kabeļiem (D).
- Pievienojiet 2 kabeļu skrūvju bultskrūves (B) atverēm uz kreisā un labā roktura (A). (Att. 33)
- Pievienojiet kabeļus (D) kabeļu skrūvju bultskrūvēm (B).
- Savienojiet un nofiksējiet kreisā un labā kabeļa vītnes ieliktni (D) un kabeļa skrūvju bultskrūvi (B), līdz misiņa pretuzgriežņa (C) virsējā daļa ir salāgota ar atzīmi uz vītņēm (E).
- Nofiksējiet kabeli, izmantojot misiņa pretuzgriežni (C).

---

## Lietošana

---



**BRĪDINĀJUMS:** Pirms izstrādājuma lietošanas ir uzmanīgi jāizlasa un jāizprot nodaļa par drošību un norādījumi par lietošanu.

## Kas jāpaveic pirms izstrādājuma darbināšanas

- Neļaujiet darba zonā iekļūt cilvēkiem un dzīvniekiem.
- Veiciet regulāru apkopi. Skatiet šeit: *Apkopes grafiks lpp. 245.*
- Pārlicinieties, ka aizdedzes vadi pareizi atrodas uz aizdedzes sveces.
- Ja nepieciešams, uzpildiet eļļu vai degvielu. Skatiet šeit: *Dzinēja uzpilde ar eļļu lpp. 243.*

## Dzinēja uzpilde ar eļļu



**IEVĒROJIET:** Negrieziet mērstieni, kad pārbaudāt eļļas līmeni. Neuzpildiet eļļu virs norādītās atzīmes.



**IEVĒROJIET:** Ārpus Ziemeļamerikas neizmantojiet benzīnu, kura oktānskaitlis ir zemāks par 90 RON (Ziemeļamerikā — 87(R+M)/2). Pretējā gadījumā izstrādājums var tikt bojāts.

- Noņemiet eļļas vāciņu un notīriet mērstieni. Mērstieņa atrašanās vieta ir norādīta šeit: *Izstrādājuma pārskats lpp. 237.*
- Piepildiet eļļu līdz mērstieņa augšējai atzīmei. Izmantojiet mērstieni, lai regulāri pārbaudītu eļļas līmeni.
- Uzlieciet eļļas vāciņu atpakaļ.

## Degvielas uzpildīšana

Ja iespējams, izmantojiet zemu emisiju/alkilātu degvielu. Ja zemu emisiju/alkilātu benzīns nav pieejams, izmantojiet labas kvalitātes bezsvina benzīnu. Ārpus Ziemeļamerikas izmantojiet benzīnu, kura oktānskaitlis ir vismaz 90 RON (Ziemeļamerikā — 87(R+M)/2) un etanola līmenis nepārsniedz 10% (E10).

1. Lēni atveriet degvielas tvertnes vāciņu, lai samazinātu spiedienu.
2. Lēni uzpildiet ar degvielas kannu. Ja esat izšļakstījis degvielu, noīriet to ar drāniņu un ļaujiet atlikušajai degvielai nožūt.
3. Noīriet vietu ap degvielas tvertnes vāciņu.
4. Pilnībā piegrieziet degvielas tvertnes vāciņu. Ja degvielas tvertnes vāciņš nav piegriezts, pastāv aizdegšanās risks.
5. Pirms iedarbināšanas pārvietojiet izstrādājumu vismaz 3 m (10 pēdas) no vietas, kur piepildījāt tvertni.

## Teknes novirzītāja regulēšana

Sniega mešanas virzienu kontrolē teknes rotatora vadītā, kas uzstādīta uz kreisās puses roktura.

1. Rotējiet teknes rotatora vadītā, lai iestatītu sniega mešanas rotācijas virzienu.
2. Rotējiet teknes rotatora vadītā pulksteņrādītāja virzienā, lai mestu sniegu pa labi.
3. Rotējiet teknes rotatora vadītā pretēji pulksteņrādītāja virzienam, lai mestu sniegu pa kreisi. (Att. 34)
4. Virziet leņķa novirzītāju uz augšu vai leju, lai regulētu sniega mešanas attālumu. (Att. 35)

## Dzinēja iedarbināšana

1. Atlaidiet piedziņas palaišanas sviru. Iestatiet piedziņas ātruma vadības sviru pirmajā pozīcijā.
2. Pagrieziet degvielas slēdzi pozīcijā ON (Ieslēgts). (Att. 36)
3. Pagrieziet gaisa droseli pozīcijā CLOSE (Aizvērt). (Att. 37)
4. Pārlēdziet ieslēgšanas/izslēgšanas atslēgu pozīcijā RUN (Darbināt). (Att. 38)
5. Nospiediet degvielas padeves ierīci 1–3 reizes, lai iedarbinātu pastiprinātāja sūkni. Izmantojiet pastiprinātāja sūkni iedarbināšanai zemā temperatūrā. (Att. 39)
6. Pavelciet atsitienu startera auklas rokturi. (Att. 40)



**IEVĒROJIET:** Neatlaidiet atsitienu startera auklas rokturi ātri. Lēnām pārvietojiet to atpakaļ sākuma pozīcijā.

**Piezīme:** Ja atsitienu startera auklas rokturis ir iekēries, lēnām izvelciet pēc iespējas vairāk auklas no startera un atlaidiet atsitienu startera auklas rokturi. Ja dzinēju nevar iedarbināt, atkārtojiet iepriekš aprakstītās darbības vai lietojiet elektrisko starteri.

7. Ļaujiet dzinējam 30–40 sekundes darboties tukšgaitā un tikai pēc tam sāciet mest sniegu.

8. Kad dzinējs ir sasilis, lēnām virziet gaisa droseli pozīcijā OPEN (Atvērt). (Att. 41)

## Dzinēja iedarbināšana, elektriska



**BRĪDINĀJUMS:** Izstrādājumam ir 230 voltu maiņstrāvas elektriskais starteris. Nelietojiet elektrisko starteri, ja māsaimniecībā nav pareizi sazēmētas 230 voltu maiņstrāvas sistēmas. Var rasties smagas traumas vai izstrādājuma bojājumi. Elektriskajam starterim ir trīsvadu spraudnis, un to paredzēts lietot 230 voltu maiņstrāvas elektrotilklā. Pārliecinieties, vai māsaimniecībā ir pareizi sazēmēta 230 voltu maiņstrāvas sistēma. Ja neesat pārliecināts, sazinieties ar pilnvarotu elektriķi.

**Piezīme:** Lietojiet pagarinātāju, kas ir ieteikts lietošanai ārpus telpām, kura vada lielums ir vismaz 16 AWG (1,5 mm<sup>2</sup>) un garums nepārsniedz 50 pēdas (15 m).

1. Atlaidiet piedziņas palaišanas sviru. Iestatiet piedziņas ātruma vadības sviru pirmajā pozīcijā.
2. Pagrieziet degvielas slēdzi pozīcijā ON (Ieslēgts). (Att. 36)
3. Pagrieziet gaisa droseli pozīcijā CLOSE (Aizvērt). (Att. 37)
4. Pārlēdziet ieslēgšanas/izslēgšanas atslēgu pozīcijā RUN (Darbināt). (Att. 38)
5. Nospiediet degvielas padeves ierīci 1–3 reizes, lai iedarbinātu pastiprinātāja sūkni. Izmantojiet pastiprinātāja sūkni iedarbināšanai zemā temperatūrā. (Att. 39)
6. Pievienojiet izstrādājumu strāvas avotam. (Att. 42)
7. Nospiediet un 5 sekundes turiet iedarbināšanas pogu uz vadības skapja. (Att. 43)
8. Ja dzinējs nesāk darboties, uzgaidiet 5 sekundes, pirms vēlreiz nospiežat iedarbināšanas pogu.



**IEVĒROJIET:** Nemēģiniet iedarbināt dzinēju vairāk nekā 10 reizes. Pēc 10. reizes pagaidiet 40 minūtes, pirms mēģināt vēlreiz.

9. Kad dzinējs ir iedarbojies, atvienojiet strāvas vadu no izstrādājuma.
10. Ļaujiet dzinējam 30–40 sekundes darboties tukšgaitā un tikai pēc tam sāciet mest sniegu.
11. Kad dzinējs ir sasilis, lēnām virziet gaisa droseli pozīcijā OPEN (Atvērt). (Att. 41)

## Produkta darbināšana

1. Saspiediet gliemežvārpstas palaišanas sviru pie roktura, lai aktivizētu gliemežvārpstu un mestu sniegu. (Att. 44)

- Lai virzītu izstrādājumu uz priekšu, pārvietojiet piedziņas apgriezienu skaita regulēšanas sviru pa kreisi. Lai virzītu izstrādājumu atpakaļgaitā, pārvietojiet piedziņas apgriezienu skaita regulēšanas sviru pa labi. (Att. 45)
- Darbiniet piedziņas palaišanas sviru, izmantojot labo rokturi.
- Piespiediet piedziņas palaišanas sviru pie roktura, lai aktivizētu piedziņas riteņus. Izstrādājums virzās uz priekšu vai atpakaļ atkarībā no piedziņas apgriezienu skaita regulēšanas sviras atrašanās vietas. (Att. 46)
- Izvelciet ieslēgšanas/izslēgšanas atslēgu. (Att. 49)

## Labā rezultāta panākšana

- Vienmēr darbiniet dzinēju ar pilnībā atvērtu drošeli vai gandrīz pilnībā atvērtu drošeli.
- Vienmēr pielāgojiet izstrādājuma ātrumu sniega daudzumam un regulējiet ātrumu ar piedziņas ātruma vadības sviru. Gādājiet, lai izstrādājums vienmērīgi mestu sniegu.
- Vienkāršākā un efektīvākā sniega tīrīšana ir uzreiz pēc snigšanas.
- Ja iespējams, vērsiet izmesto sniegu pa vējam.
- Uz līdzenām virsmām, piemēram, asfaltētiem ceļiem, paceliet aizsargplāksnes 5–6 mm (0,2–0,25 collas) virs zemes.
- Skrāpi var apgriezt otrādi. Kad tas ir nodilis gandrīz līdz korpusa malai, apgrieziet to. Nomainiet skrāpi, ja tas ir bojāts vai abas tā malas ir nodilušas.
- Neizmantojiet teknes novirzītāju, ja tas ir aizsērējis.
- Ja neparedzētu apstākļu dēļ ierīce nekustas uz priekšu, nekavējoties atlaidiet piedziņas palaišanas sviru vai pagrieziet IESL./IZSL. atslēgu pozīcijā OFF (Izslēgt).

## Izstrādājuma izslēgšana

**Piezīme:** Lai ārkārtas gadījumā izslēgtu dzinēju, izvelciet ieslēgšanas/izslēgšanas atslēgu.

- Lai apturētu piedziņas riteņus, atbrīvojiet piedziņas palaišanas sviru.
- Lai atslēgtu gliemežvārpstu un pārtrauktu sniega mešanu, atbrīvojiet gliemežvārpstas palaišanas sviru. (Att. 47)
- Pagrieziet degvielas slēdzi pozīcijā OFF (Izslēgts). (Att. 48)

## Apkope

### Apkopes grafiks

Apkope	Katru dienu	20 stundas	50 stundas	100 stundas
Pārļiecinieties, vai skrūves un uzgriežņi ir pievilkti	X			
Pārbaudiet motora eļļas līmeni	X			
Nomainiet eļļu <sup>85</sup>		X	X	X
Pārļiecinieties, vai nav degvielas vai eļļas noplūdes	X			
Iztīriet aizsērējumus, svešķermeņus gliemežvārpstā	X			
Pārbaudiet gaisa spiedienu rieņās <sup>86</sup>			X	
Pārbaudiet un nomainiet aizdedzes sveici <sup>87</sup>				X

<sup>85</sup> Nomainiet eļļu pēc pirmajām 20 h, 50 h, 100 h un pēc tam ik pēc 100 h.

<sup>86</sup> Pareizs riepu spiediens ir norādīts tehniskajos datos.

<sup>87</sup> Katru gadu pirms lietošanas pārbaudiet un nomainiet aizdedzes sveici.

**Piezīme:** Pārnesumkārbai nav nepieciešams papildināt smērvielu vai veikt cita veida apkopi.

## Vispārējās pārbaudes veikšana

- Pārliecinieties, vai visi uzgriežņi un skrūves uz izstrādājuma ir pareizi pievilkti.

## Eļļas līmeņa pārbaude



**IEVĒROJIET:** Pārāk zems eļļas līmenis var izraisīt dzinēja bojājumus. Pirms iedarbināt izstrādājumu, pārbaudiet eļļas līmeni.

1. Novietojiet izstrādājumu uz līdzenas virsmas.
2. Noņemiet eļļas tvertnes vāciņu ar piespīrināto mērstieni.
3. Notīriet no mērstieņa eļļu.
4. Ievietojiet mērstieni pilnībā eļļas tvertnē, lai iegūtu pareizu priekšstatu par eļļas līmeni.
5. Izņemiet mērstieni.
6. Pārbaudiet eļļas līmeni uz mērstieņa.
7. Ja eļļas līmenis ir pārāk zems, uzpildiet dzinēja eļļu un pārbaudiet eļļas līmeni vēlreiz.

## Dzinēja eļļas maiņa

1. Darbiniet dzinēju vairākas minūtes, lai uzsildītu eļļu. Silta eļļa labāk plūst un pārvieto vairāk sārnū.



**BRĪDINĀJUMS:** Dzinēja eļļa ir karsta. Nepieļaujiet izlietotās dzinēja eļļas saskari ar ādu.

2. Novietojiet izstrādājumu uz līdzenas virsmas.
3. Darbiniet dzinēju, līdz beidzas degviela.
4. Izņemiet aizdedzes atslēgu.
5. Novietojiet trauku zem eļļas noliešanas aizgriežņa.
6. Izņemiet eļļas noliešanas aizgriežņi, sagāziet izstrādājumu atmuguriski un noteciniet izlietoto eļļu traukā. (Att. 50)
7. Novietojiet izstrādājumu atpakaļ darba pozīcijā.
8. Uzlieciet un ar roku stingri pievelciet eļļas noliešanas aizgriežņi.
9. Uzpildiet dzinēju ar eļļu; skatiet sadaļu *Dzinēja uzpilde ar eļļu lpp. 243*.

## Aizdedzes sveces pārbaude



**IEVĒROJIET:** Vienmēr lietojiet ieteikto aizdedzes sveces tipu. Nepiemērota aizdedzes svece var radīt izstrādājuma bojājumus.

- Pārbaudiet aizdedzes sveci, ja dzinējam nepietiek jaudas, dzinēju nevar viegli iedarbināt vai arī tas nedarbojas pareizi tukšgaitā.

- Lai samazinātu nevēlamu materiālu uzkrāšanos uz aizdedzes sveces elektrodiem, ievērojiet turpmākos norādījumus.
  - a) Pārliecinieties, vai tukšgaitas apgriezīgu skaitis ir noregulēts pareizi.
  - b) Pārliecinieties, vai degvielas veids ir atbilstošs.
  - c) Pārliecinieties, vai gaisa filtrs ir tīrs.
- Ja aizdedzes svece ir nefīra, notīriet to un pārbaudiet, vai atstatums starp elektrodiem ir pareizs; skatiet šeit: *Tehniskie dati lpp. 251*. (Att. 51)
- Ja nepieciešams, nomainiet aizdedzes sveci.

## Gliemežvārpstu un skrāpja pārbaude

1. Pirms katras lietošanas reizes pārbaudiet, vai gliemežvārpstas un skrāpis nav nodiluši.
2. Ja skrāpja mala ir nodilusi, apgrieziet skrāpi. Ja skrāpis ir bojāts vai abas tā malas ir nodilušas, nomainiet skrāpi.
3. Ja gliemežvārpstu malas ir nodilušas, sazinieties ar pilnvarotu servisa centru, lai tās nomainītu.

## Aizsargplāksņu regulēšana

Aizsargplāksnes novērs sniega metēja apakšdaļas bojājumus. Ja pretuzgriežnis (B) ir vaļīgs vai aizsargplāksne nav pareizā attālumā no zemes, noregulējiet aizsargplāksnes (A). Parastos apstākļos regulēšana nav nepieciešama.

1. Atlaidiet pretuzgriežni (B) ar 13 mm (½ collas) parasto uzgriežņu atslēgu.
2. Pabīdīet aizsargplāksnes (A) uz augšu vai uz leju.
  - a) Uz līdzenas virsmas iestatiet attālumu starp skrāpja sliedi un zemi uz 5-6 mm (0,2-0,25 collas).
  - b) Uz nelīdzenas virsmas iestatiet aizsargplāksnes (A) pozīcijā, kurā skrāpja sliede ir virs zemes virskārtas.



**BRĪDINĀJUMS:** Pārliecinieties, ka ierīcē neiekļūst grants un akmeņi. Priekšmeti, kas tiek izsviesti lielā ātrumā, var radīt savainojumus.

3. Pievelciet pretuzgriežni (B). (Att. 52)

## Lai nomainītu cirpes tapas, veiciet tālāk minētās darbības.

Cirpes tapa aizsargā izstrādājumu no bojājumiem. Ja kusiņgājās daļās iekļūst svešķermeņi, tā salūst.

1. Ja salūst cirpes tapa, apturiet dzinēju.
2. Pievienojiet jaunu cirpes tapu (A) un jaunu spailes atsperi (B). (Att. 53)

## Riepu pārbaude

- Lai novērstu gumijas bojājumus, neļaujiet riepām saskarties ar degvielu, eļļu un ķīmiskām vielām.

- Neļaujiet riepām saskarties ar celmiem, akmeņiem, grambām, asiem priekšmetiem vai citiem priekšmetiem, kas var sabojāt riepās.
- Gādājiet, lai spiediens riepās būtu pareizs; skatiet sadaļu *Tehniskie dati lpp. 251*.

## Aizsērējuša izkraušanas teknes novirzītāja tīršana

Netīriet aizsērējušu izkraušanas teknes novirzītāju, pirms nav veiktas tālāk minētās darbības.

1. Vienlaicīgi atlaidiet gliemežvārpstas palaides sviru un piedziņas palaides sviru.
2. Uzgaidiet 10 sekundes, lai pārļiecinātos, ka gliemežvārpstas ir apstājušās.
3. Apturiet ierīci.

4. Izmantojiet tīršanas rīku (vismaz 37 cm (15 collas) garš, iekļauts dažu modeļu komplektācijā), lai iztīrītu aizsērējumu.



**BRĪDINĀJUMS:** Nelieliet rokas izkraušanas teknes novirzītājā vai gliemežvārpstas kausā.

---

## Produkta tīršana

- Plastmasas daļas notīriet ar tīru un sausu drāniņu.
- Produktu nedrīkst skalot ar augstspiediena ūdens strūklu.
- Nekādā gadījumā neļiejet ūdeni tieši uz dzinēja.
- Izmantojiet suku, lai notīrītu lapas, zāli un netīrumus.

## Problēmu novēršana

### Problēmu novēršana

Problēma	Iespējamais iemesls	Risinājums
Izstrādājums nesāk darboties	Nav ievietota drošības aizdedzes atslēga.	Ievietojiet drošības aizdedzes atslēgu.
	Izstrādājumam beigusies degviela.	Uzpildiet degvielas tvertni ar svaigu, tīru benzīnu.
	Ieslēgšanas/izslēgšanas atslēga ir pozīcijā OFF (Izslēgt).	Pārvietojiet ieslēgšanas/izslēgšanas atslēgu pozīcijā ON (Ieslēgt).
	Gaisa drosele ir pozīcijā OFF (CLOSE) (Izslēgt (Aizvērt)).	Pārvietojiet gaisa droseli pozīcijā ON (FULL, OPEN) (Ieslēgt (Pilns, atvērt)).
	Degvielas padeves ierīce nav nospiesta.	Nospiediet degvielas padeves ierīci.
	Dzinējs ir pārplūdināts.	Pirms atkārtotas iedarbināšanas nogaidiet dažas minūtes; NESPIEDIET degvielas padeves ierīci.  Atkārtoti iedarbiniet dzinēju ar pilnībā atvērtu droseli un pozīcijā OFF (CLOSE) (Izslēgt (Aizvērt)) novietotu gaisa droseli.
	Aizdedzes sveces vads nav pievienots.	Pievienojiet vadu aizdedzes svecei.
	Aizdedzes svece ir bojāta.	Nomainiet aizdedzes sveci.
	Degvielā ir ūdens, vai degviela ir pārāk veca.	Iztukšojiet degvielas tvertni un karburatoru. Uzpildiet degvielas tvertni ar svaigu, tīru benzīnu.
	Degvielas vadā ir uzkrājies tvaiks.	Gādājiet, lai degvielas vads visā tā garumā atrastos zemāk par degvielas tvertnes izvades atveri. Degvielas vadam ir vienmērīgi jāvirzās lejup no degvielas tvertnes uz karburatoru.
	Citi iemesli.	Rūpīgi izpētiēt šajā rokasgrāmatā aprakstītās iedarbināšanas procedūras.
	Degvielas slēdzis (ja uzstādīts) ir pozīcijā CLOSE (OFF) (Aizvērt (Izslēgt)).	Pagrieziet degvielas slēdzi pozīcijā OPEN (ON) (Atvērt (Ieslēgt)).
Drosele ir pozīcijā STOP (Apturēt).	Pārvietojiet droseli pozīcijā FAST (Ātri).	



<b>Problēma</b>	<b>Iespējamais iemesls</b>	<b>Risinājums</b>
Samazināta jauda	Aizdedzes sveces vads nav pievienots.	Pievienojiet vadu aizdedzes svecei.
	Izstrādājums izmet pārāk daudz sniega.	Samaziniet ātrumu un joslas platumu.
	Degvielas tvertnes vāciņu klāj ledus vai sniegs.	Notīriet ledu un sniegu no vāciņa un no zonas ap to.
	Slāpētājs ir netīrs vai aizsērējis.	Iztīriet vai nomainiet slāpētāju.
	Nepiemērots troses garums.	Regulējiet kabeli.
	Slāpētājs ir bloķēts.	Gādājiet, lai dzinējs būtu auksts. Izfīriet aizsērējumu.
	Karburatora gaisa iepļūde ir bloķēta.	Gādājiet, lai dzinējs būtu auksts. Izfīriet aizsērējumu.
Dzinējs tukšgaitā vai darba laikā darbojas nevienmērīgi	Gaisa drosele ir pozīcijā ON (FULL, OPEN) (Ieslēgt (Pilns, atvērt)).	Pārvietojiet gaisa droseļi pozīcijā OFF (CLOSE) (Izslēgt (Aizvērt)).
	Degvielas vads ir bloķēts.	Iztīriet degvielas vadu.
	Degvielā ir ūdens, vai degviela ir pārāk veca.	Iztukšojiet degvielas tvertni un karburatoru. Uzpildiet degvielas tvertni ar svaigu, tīru benzīnu.
	Karburators ir jānomaina.	Sazinieties ar pilnvarotu servisa centru.
	Siksna ir izstaipta.	Nomainiet gliemežvārpstas ķīlsiksnu.
Pārmērīga vibrācija/roktura kustība	Dažas daļas ir vaļīgas. Gliemežvārpstas ir bojātas.	Pievelciet visus stiprinājumus. Nomainiet visas bojātas daļas. Ja vibrāciju neizdodas novērst, sazinieties ar pilnvarotu servisa centru.
	Rokturi nav novietoti pareizi.	Gādājiet, lai rokturi būtu fiksēti pareizajā pozīcijā.
	Regulēšanas sviru uzgriežņi ir vaļīgi.	Pievelciet uzgriežņus, līdz rokturis ir stabils.
Grūti pavilkt atsitienu startera auklas rokturi	Atsitienu startera auklas rokturis ir sasalis.	Lēnām izvelciet pēc iespējas vairāk auklas no startera un atlaidiet atsitienu startera auklas rokturi. Ja dzinēju nevar iedarbināt, atkārtojiet iepriekš aprakstītās darbības vai lietojiet elektrisko starteri.
	Aukla ķeras citos komponentos.	Atsitienu aukla nedrīkst saskarties ar vadiem vai šļūtenēm.

Problēma	Iespējamais iemesls	Risinājums
Vilces piedziņas jaudas/ braukšanas ātruma samazināšanās	Siksna slīd.	Regulējiet kabeli. Regulējiet siksnu.
	Siksna ir nodilusī.	Pārbaudiet/nomainiet siksnu.
Izmestā sniega daudzuma vai izmešanas ātruma samazināšanās	Siksna neatrodas uz skriemeļa.	Pārbaudiet/atkārtoti uzstādiat siksnu.
	Teknes novirzītājs ir aizsērējis.	Iztīriet teknes novirzītāju.
	Svešķermeņi aizsprosto gliemežvārpstas.	Iztīriet nefīrumus vai svešķermeņus no gliemežvārpstām.
	Cirpes tapa ir salūzusi.	Nomainiet salūzušo cirpes tapu.
	Starp kāpurķēdes posmiem izveidojies pārāk liels sniega un ledus sablīvējums.	Iztīriet starp kāpurķēdes posmiem sakrājušos sniegu un ledu.
	Dzenošais berzes skriemelis ir nodilis.	Sazinieties ar pilnvarotu servisa centru.
Gliemežvārpsta negriežas, kad rokturis ir atlaists	Piedziņas sikсна nav izlīdzināta.	Regulējiet piedziņas siksnu.
	Izmešanas novirzītājs nav izlīdzināts.	Regulējiet izmešanas novirzītāju.
Gaismas nav ieslēgtas (ja uzstādītas)	Dzinējs nedarbojas.	Iedarbiniet dzinēju.
	Vada savienojums ir vaļīgs.	Pārbaudiet dzinēja un gaismu vadu savienojumus.
	LED diode ir izdegusi.	Nomainiet LED gaismas moduli. Atsevišķas LED diodes nevar nomainīt.
Teknes rotatoru ir grūti pārvietot	Teknes rotatora mehānismā iekļuvuši nefīrumi.	Iztīriet teknes rotatora mehānisma iekšējas daļas.
	Kabeļi ir sapinušies vai bojāti.	Pārliecinieties, vai kabeļi nav sapinušies. Nomainiet bojātos kabeļus.
Izstrādājums pārvietojas uz vienu pusi.	Riepu spiedienu nav vienāds.	Regulējiet riepu spiedienu un piepumpējiet riepu.
	Izstrādājums brauc tikai ar vienu riteni.	Pārbaudiet riepas aizmurtapu.
	Nevienmērīgi noregulētas sliedes.	Regulējiet aizsargplāksnes un sliedes.
	Nevienmērīgi noregulētas aizsargplāksnes.	Regulējiet aizsargplāksnes un sliedes.

## Pārvadāšana, glabāšana un utilizēšana

### Transportēšana un glabāšana

- Attiecībā uz izstrādājuma degvielas glabāšanu un transportēšanu pārliecinieties, vai nav noplūdes vai tvaiku. Dzirksteles vai atklātas liesmas, ko rada, piemēram, elektroierīces vai tvaika katli, var izraisīt ugunsgrēku.
- Vienmēr izmantojiet apstiprinātās tvertnes degvielas glabāšanai un transportēšanai.
- Iztukšojiet degvielas tvertni, pirms novietojat izstrādājumu glabāšanai uz ilgāku laiku.

- Ja karburatora degvielas pludiņkamerai ir noliešanas aizgrieznis, pirms izstrādājuma novietošanas ilgstošai glabāšanai iztukšojiet degvielu no karburatora.
- Transportēšanas laikā droši nostipriniet izstrādājumu, lai novērstu bojājumus un negadījumus.
- Glabājiet izstrādājumu norobežotā vietā, lai novērstu to, ka tam var piekļūt bērni vai personas, kam tas nav atļauts.

- Glabājiet izstrādājumu sausā vietā, kurā temperatūra nepazeminās zem 0°C.
  - Utilizējiet visas ķīmikālijas, piemēram, dzinēja eļļu vai degvielu, servisa centrā vai piemērojamā utilizācijas vietā.
  - Utilizējiet izstrādājumu apstiprinātā utilizācijas vietā vai sūtiet uz Husqvarna utilizācijas veikšanai.
- Utilizēšana**
- Ievērojiet vietējās prasības un piemērojamos noteikumus.

## Tehniskie dati

### Tehniskie dati

<b>ST 124</b>	
<b>Izmēri</b>	
Svars ar tukšām tvertnēm, kg	76
Maks. riepu darba spiediens, PSI	20
Ievades augstums, cm	53,3
Darba platums, cm	61
<b>Dzinējs</b>	
Zīmols	Husqvarna
Dzinēja nomināljauda, kW	4,3
Darba tilpums, cc	212
Degvielas veids	Parasta bezsvina (ne vairāk kā 10 % etanola)
Degvielas ietilpība, gal./l	0,58/2,2
Eļļas veids (API SJ-SN)	SAE 5W30 (zem 0 °C (32 °F))
Eļļas ietilpība, unces/l	20/0,6
<b>Elektrosistēma</b>	
Aizdedzes svece	F7RTC
Aizdedzes sveces elektrodu sprauga (collas/mm)	0,027–0,031/0,7–0,8
<b>Trokšņa emisija<sup>88</sup></b>	
Skaņas intensitātes līmenis, izmērītais dB (A)	100
Akustiskās jaudas līmenis, garantētais (L <sub>WA</sub> dB(A))	102
<b>Skaņas līmeņi<sup>89</sup></b>	
Skaņas spiediena līmenis pie operatora auss, mērīts L <sub>PA</sub> dB(A)	86
<b>Vibrācijas līmeņi, a<sub>hveq</sub><sup>90</sup></b>	

<sup>88</sup> Atbilstoši EK direktīvai 2000/14/EK un 2005/88/EK trokšņa emisija apkārtņē ir mērīta kā akustiskā jauda (L<sub>WA</sub>). Sniegtajos datos par trokšņa emisijām tipiskā statistiskā izkliede ir 1,5 dB(A) (standartnovirze). Pielaide = 1,5 dB(A)

<sup>89</sup> Skaņas spiediena līmenis atbilstoši standartam EN ISO 11201. Sniegtajos datos par skaņas spiediena līmeni ir tipiska statistiskā izkliede 1,5 dB(A) (standartnovirze). Pielaide = 1,5 dB(A)

<sup>90</sup> Vibrāciju līmenis atbilstoši standartam ISO 8437-4, B pielikumam. Pielaide = 1,5 m/s<sup>2</sup>

	<b>ST 124</b>
Roktura vibrāciju līmenis, pa kreisi/pa labi	4,15/4,08

# EK atbilstības deklarācija

## ES ATBILSTĪBAS DEKLARĀCIJAS SATURS

Ar šo mēs, Husqvarna AB, SE-561 82 Huskvarna,  
ZVIEDRIJA, ar pilnu atbildību apliecinām, ka šis  
izstrādājums:

Apraksts	Sniega metējs
Zīmols	Husqvarna
Platforma/tips/modelis	ST 124
Partija	Sērijas numurs no 2020. gada un vēlāk

pilnībā atbilst šādām ES direktīvām un noteikumiem:

Direktīva/regula	Apraksts
2006/42/EK	"par mašīnām"
2014/30/ES	"par elektromagnētisko savietojamību"
2000/14/EK; 2005/88/EK	"par trokšņa emisiju vidē"
2011/65/ES	"noteiktu bīstamu vielu lietošanas ierobežojums"

Ir lietoti šādi saskaņotie standarti un/vai tehniskie dati  
(specifikācijas): EN ISO 12100:2010, EN ISO  
14982:2009, ISO 8437-1:2019, ISO 8437-2:2019, ISO  
8437-4:2019, ISO 3744:1995, EN 1032:2003+A1:2008,  
EN 50581:2012

Saskaņā ar Direktīvas 2000/14/EK+2005/88/  
EK V pielikumu deklarētie skaņas līmeņi ir norādīti šīs  
rokasgrāmatas tehnisko datu sadaļā un parakstītajā  
EK atbilstības deklarācijā.

Piegādātais sniega metējs atbilst pārbaudītajam  
paraugam.

Kā vārdā: Husqvarna AB, SE-561 82 Huskvarna,  
ZIEDRIJA, 2020-02-07



Claes Losdal

Persona, kas ir atbildīga par ES noteikto tehnisko failu  
sagatavošanu

---

# TURINYS

---

Ivadas.....	254	Gedimai ir jų šalinimas.....	264
Sauga.....	255	Transportavimas, saugojimas ir utilizavimas.....	266
Surinkimas.....	259	Techniniai duomenys.....	267
Veikimas.....	260	EB atitikties deklaracija.....	269
Techninė priežiūra.....	262		

---

## Ivadas

---

### Gaminio apžvalga

(Pav. 1)

1. Sraigto įjungimas
2. Važiavimo greičio valdymo svirtis
3. Valdymo skydelis
4. Sraigto laidas
5. Išmetimo kreiptuvo sukimo įrenginio valdiklis
6. Išmetimo kreiptuvo deflektorius
7. Valomasis įrankis
8. Sraigto korpusas
9. Sraigtai
10. Slydimo plokštė
11. Padangą
12. Alyvos pripylimo vieta
13. Variklis
14. Apatinė rankena
15. Važiavimo greičio valdymo trauklė
16. Pavaros laidas
17. Rankinio paleidimo rankenėlė
18. Pavaros įjungimas
19. Rankenėlės
20. Degalų siurbliukas
21. Oro sklendė
22. Degalų jungiklis
23. Įjungimo / išjungimo raktas
24. Naudotojo vadovas

### Gaminio aprašas

Produktas yra sniego valytuvas, naudojamas sniego pašalinimui nuo žemės.

### Naudojimas

Šį produktą galima naudoti sniego pašalinimui nuo laukų, kelių, takelių ir įvažiavimų. Nenaudokite ant šlaitų, jei nuolydis didesnis kaip 15°. Nenaudokite gaminio vietose, kuriose yra daug šiukšlių, purvo ir išsikišusių akmenų.

### Symbols on the product

**Pasižymėkite:** If the decals on the product are damaged, contact the distributor to replace them.

- (Pav. 2) Warning.
- (Pav. 3) Read the operator's manual.
- (Pav. 4)
- (Pav. 5) Hot surface.
- (Pav. 6) Risk of fire.
- (Pav. 7) Choke.
- (Pav. 8) Pull starter rope handle.
- (Pav. 9) Do not breathe in the exhaust fumes from the engine.
- (Pav. 10) Do not put any part of the body into the chute deflector or the auger housing when the augers rotate.
- (Pav. 11) Stop the engine before you remove snow from the chute deflector. Use the clean-out tool to remove snow, do not do it by hand.
- (Pav. 12)
- (Pav. 11) Keep hands away from the chute deflector.
- (Pav. 13) Objects can be ejected from the product.
- (Pav. 14) Keep bystanders away from the product when operating.
- (Pav. 15) Remove key before maintenance.
- (Pav. 16) Push in the on/off key to the RUN position.
- (Pav. 17) Turn the fuel switch to the ON position.
- (Pav. 18) Push the primer.
- (Pav. 19) Risk of falling.

- (Pav. 20) Move slowly rearward.
- (Pav. 21) Use approved protective gloves.
- (Pav. 22) Use a protective helmet. Use approved hearing protection. Use approved eye protection.
- (Pav. 23) Noise emissions to the environment according to European Directive 2000/14/EC and New South Wales legislation "Protection of the Environment Operations (Noise Control) Regulation 2017". Noise emission data can be found on the machine label and in the Technical data chapter.
- (Pav. 24) European machinery directive for safety.

**Pasižymėkite:** Other symbols/decals on the product refer to certification requirements for some markets.

## „Euro V“ standartas



**PERSPĖJIMAS:** Variklio modifikavimas panaikina šio produkto ES tipo patvirtinimą.

## Sauga

### Saugos ženklų reikšmės

Toliau apibrėžiamas signalinių žodžių žymimas pavojus.



**PERSPĖJIMAS:** Gali susižeisti asmenys.



**PASTABA:** Galima sugadinti gaminį.

**Pasižymėkite:** Ši informacija padeda gaminį naudoti saugiau.

### Saugi pėsčiųjų valdomų sniego valytuvų eksploatacija

#### Bendroji informacija

Šis įrenginys gali nupjauti rankas ir pėdas, taip pat svaityti objektus. Nesilaikant toliau pateikiamų saugos nurodymų galima rimtai susižeisti.

#### Mokymas

- Prieš naudodamiesi įrenginiu perskaitykite, įsigilinkite ir laikykitės visų ant jo esančių bei vadovuose pateikiamų nurodymų. Išsiaiškinkite, kaip veikia visi valdikliai ir kaip tinkamai naudotis įrenginiu. Išsiaiškinkite, kaip greitai sustabdyti įrenginį ir atjungti valdiklius.

## Gamintojas

Husqvarna AB

Drottninggatan 2, SE-561 82 Huskvarna

## Atsakomybė už gaminį

Kaip nurodyta atsakomybės už gaminį įstatymuose, mes nesame atsakingi už mūsų gaminių sukeltą žalą, jei:

- gaminys netinkamai suremontuotas;
- gaminys suremontuotas naudojant kito gamintojo arba gamintojo nepatvirtintas dalis;
- gaminys turi kito gamintojo arba gamintojo nepatvirtintą priedą;
- gaminys suremontuotas ne patvirtintame techninės priežiūros centre arba jį suremontavo ne patvirtintas atstovas.

- Griežtai draudžiama leisti vaikui valdyti mašiną. Įrenginio niekada neleiskite naudoti suaugusiems, kurie nebuvo išmokyti juo naudotis.
- Darbo vietoje negali būti kitų asmenų, ypač vaikų.
- Saugokitės, kad nepaslystumėte ar nenuvirstumėte, ypač kai įrenginį traukiate atbuline eiga.

#### Pasiruošimas

- Nuodugniai patikrinkite vietą, kur bus naudojamas įrenginys, ir pašalinkite durų kilimėlius, roges, lentas, laidus ir kitus pašalinius objektus.
- Prieš įjungdami variklį, išjunkite visas sankabas ir įjunkite neutralią pavarą.
- Nenaudokite įrenginio, jei nesate apsirengę tinkamais žieminiais drabužiais. Nedėvėkite laisvai krintančių drabužių, kurie gali patekti į judančias dalis. Avėkite neslystančią avalynę.
- Dirbdami, reguliuodami arba atlikdami taisymo darbus visada dėvėkite apsauginius akinius arba akių apsaugas, kad apsaugotumėte akis nuo įrenginio išmestų dalių.
- Būkite atsargūs dirbdami su degalais – jie itin degūs.
  - Naudokite patvirtintą degalų baką.
  - Niekada nepilkite degalų, kai variklis įjungtas arba yra įkaitęs.
  - Degalų baką pildykite lauke ir itin saugodamiesi. Niekada nepildykite degalų bako patalpoje.
  - Bakų niekada nepildykite automobilyje, ant sunkvežimio arba priekaboje su plastikine danga. Prieš pildydami bakus visada pastatykite ant žemės, toliau nuo transporto priemonės.

- Jei reikia, išimkite dujomis varomą įrenginį iš sunkvežimio arba priekabos, tada jį pripildykite. Jei to padaryti negalite, pildykite tokius įrenginius priekaboje naudodami fiksuojamąjį bakelį, o ne degalų pildymo pistoletą.
- Kol pripildysite, pistoletą visada laikykite prie degalų bako arba talpyklos angos krašto. Nenaudokite pistoleto fiksavimo įtaiso.
- Tvirtai užsukite dangtelį ir nuvalykite išsipylusius degalus.
- Nedelsdami persirenkite, jei degalais apspylėte drabužius.
- Jei įsigijote įrenginį su elektriniu starteriu, naudokite gamintojo pridėtus ilginamuosius laidus ir lizdus.
- Išvalykite žvyrą ar skaldą ir sureguliuokite kolektorius korpuso aukštį.
- Niekada nieko nereguliuokite, kai variklis veikia (išskyrus atvejus, kai tai specialiai rekomenduoja gamintojas).

- Niekada nenaudokite įrenginio esant prastam matomumui ar nepakankamai šviesos. Įsitikinkite, kad stovite tvirtai, ir stipriai laikykite rankenas. Eikite, niekada nebėkite.
- Niekada nelieskite karšto variklio arba duslintuvo.

### Užsikimšusio išmetimo kreiptuvo valymas

- Rankų kontaktas su besisukančia sparnuote išmetimo kreiptuvo viduje yra dažniausia sužeidimų sniego valytuvais priežastis. Išmetimo kreiptuvo niekada nevalykite rankomis.
- Norėdami išvalyti kreiptuvą:
  1. IŠJUNKITE VARIKLĮ!
  2. Palaukite 10 sekundžių, kad sparnuotės ašmenys visiškai liautųsi sukęsi.
  3. Visada naudokitės valymo įrankiu, ne rankomis.

### Techninė priežiūra ir laikymas

- Dažnai tikrinkite, ar tinkamai priveržti pjautiniai ir kiti varžtai, kad įrenginiu būtų saugu dirbti.
- Niekada nesandėliuokite įrenginio, kai jo degalų bake yra degalų, pastate, kuriame yra užsidegimo šaltinių, pavyzdžiui, karšto vandens šildytuvų, patalpų šildytuvų arba drabužių džiovintuvų. Prieš sandėliuodami sniego valytuvą bet kiojoje patalpoje leiskite varikliui atvėsti.
- Jei sniego valytuvus nenaudojamas ilgesnį laiką, svarbu laikytis nurodymų, kurie pateikiami instrukcijų knygelėje.
- Prižiūrėkite ir prireikus pakeiskite etiketes su saugos nurodymais.
- Baigę valyti sniegą, leiskite įrenginiui kelias minutes veikti, kad kolektoriuje / sparnuotėje nesušaltų sniegas.
- Valydami, taisydami arba tikrindami sniego valytuvą sustabdykite variklį ir įsitikinkite, kad kolektorius / sparnuotė ir visos judančios dalys jau sustojo. Atjunkite uždegimo žvakės laidą ir jį laikykite atokiau nuo uždegimo žvakės, kad neleistumėte kam nors atsitiktinai paleisti variklio.

### Bendrieji saugos nurodymai

- Naudokite gaminį tinkamai. Netinkamai naudojant galima rimtai arba mirtinai susižeisti. Produktą naudokite tik šiose instrukcijose nurodytiems darbams. Nenaudokite gaminio kitiems darbams.
- Paisykite šiose instrukcijose pateiktų nurodymų. Paisykite saugos simbolių ir saugos nurodymų. Naudotojui nepaisant instrukcijų ir simbolių, galima sugadinti įrangą arba susižeisti ar mirtinai susižeisti.
- Neišmeskite šių instrukcijų. Vadovaukitės šiomis instrukcijomis surinkdami ir naudodami šį gaminį bei atlikdami jo techninę priežiūrą. Vadovaukitės šiomis instrukcijomis, kad tinkamai prijungtumėte priedus. Naudokite tik patvirtintus priedus.
- Sugadinto gaminio nenaudokite. Paisykite techninės priežiūros grafiko. Atlikite tik šiose instrukcijose aprašytus priežiūros darbus. Visus kitus techninės

### Veikimas

- Nekiškite rankų ar kojų prie arba po besisukančiomis dalimis. Išmetimo anga visada turi būti laisva.
- Būkite itin atsargūs, kai įrenginį naudojate ant žvyru dengtų kelių ar takų arba juos kertate. Būkite atidūs ten, kur gali būti paslėptų pavojų ar kai dirbate netoli viešųjų kelių.
- Patekus pašaliniam objektui sustabdykite variklį, atjunkite laidą nuo uždegimo žvakės, atjunkite elektrinių variklių laidą, kruopščiai patikrinkite sniego valytuvą, ar jis nepažeistas, ir prieš vėl paleisdami ar pradėdami naudotis, pataisykite sniego valytuvą.
- Jei įrenginys pradeda neįprastai vibruoti, sustabdykite variklį ir nedelsdami patikrinkite, kas nutiko. Paprastai vibracija įsėja apie gedimą.
- Sustabdykite variklį, kai tik norite pasišalinti iš darbo vietas, prieš išvalydami kolektorius / sparnuotės korpusą ar išmetimo kreiptuvą ir taisydami, reguliuodami ar ką nors tikrindami.
- Neleiskite varikliui veikti uždaroje patalpoje, išskyrus užvedant variklį ir transportuojant sniego valytuvą į pastatą arba iš jo. Atidarykite lauko duris – išmetami dūmai yra pavojingi.
- Būkite itin atsargūs įrenginį naudodami ant šlaitų.
- Niekada įrenginio nenaudokite be reikalingų apsaugų ir kitų apsauginių priemonių.
- Niekada nenukreipkite išmetamo sniego į žmones arba vietas, kuriose galite pakenkti kitų turtui. Saugokite nuo vaikų ir kitų žmonių.
- Neperkraukite įrenginio bandydami sniegą valyti greičiau nei leidžia galia.
- Jei slidu, niekada nenaudokite įrenginio dideliu greičiu. Žiūrėkite atgal ir būkite itin atsargūs, kai įrenginį naudojate atbuline eiga.
- Išjunkite kolektorius / sparnuotės maitinimą, kai įrenginys transportuojamas arba nenaudojamas.
- Naudokite priedus ir papildomas priemones, kuriuos nustatė įrenginio gamintojas (pvz., ratų svorius, atsvarus arba kabinas).



priežiūros darbus turi atlikti patvirtintas techninės priežiūros centras.

- Šiose instrukcijose negali būti numatytos visos situacijos, su kuriomis galite susidurti naudodami gaminį. Būkite atsargūs ir apdairūs. Gaminio nenaudokite ir nevykdyskite jo priežiūros darbų, jei nesate tikri dėl jo būklės. Jei reikia informacijos, kreipkitės į gaminio ekspertą, pardavimo atstovą, techninės priežiūros atstovą arba patvirtintą techninės priežiūros centrą.
- Prieš surinkdami gaminį, ruošdami jį saugoti arba atlikdami priežiūros darbus, atjunkite uždegimo žvakės kabelį.
- Nenaudokite gaminio, jei pasikeitė jo pradiniai techniniai duomenys. Nekeiskite gaminio dalių, neturintys gamintojo patvirtinimo. Naudokite tik gamintojo patvirtintas dalis. Netinkamai prižiūrint gaminį galima susižeisti arba žūti.
- Neįkvėpkite variklio skleidžiamų dujų. Ilgalais kvėpavimas variklio išmetamosiomis dujomis pavojingas gyvybei.
- Neužveskite gaminio patalpoje arba greta degių medžiagų. Išmetamosios dujos yra karštos, jose gali būti kibirkščių, kurios gali sukelti gaisrą. Dėl oro stygiaus galima susižaloti arba žūti uždusęs arba apsinuodijęs anglies monoksidu.
- Naudojant šį gaminį, variklis sukuria elektromagnetinį lauką. Elektromagnetinis laukas gali sugadinti medicininius implantus. Prieš pradėdami naudoti šį gaminį, pasitarkite su savo gydytoju ir medicininio implanto gamintoju.
- Neleiskite gaminio naudoti vaikams. Neleiskite gaminio naudoti su instrukcijomis nesusipažinusiems asmenims.
- Visada prižiūrėkite gaminį naudojančią fizinę arba protinę negalią turintį asmenį. Būtina nuolatinė atsakingo suaugusiojo priežiūra.
- Užrakinkite gaminį vaikams ir nepatvirtintiems asmenims nepasiekiamoje vietoje.
- Iš gaminio gali išskrieti ir sužaloti pašaliniai objektai. Paisykite saugos nurodymų, kad sumažėtų sužeidimų arba žūties pavojus.
- Nepalikite gaminio be priežiūros, kai užvestas variklis.
- Dėl nelaimingo įvykio yra atsakingas gaminio naudotojas.
- Eidami atgal ir prieš tai apsidairykite už savęs ir žemyn, ar nėra mažų vaikų, gyvūnų arba kitų pavojų, dėl kurių galite pargriūti.
- Prieš naudodami gaminį įsitinkinkite, kad jo dalys nepažeistos.
- Prieš naudodami gaminį, įsitinkinkite, kad aplink jus mažesniu nei 15 m (50 pėdų) spinduliu nėra pašalinių žmonių arba gyvūnų. Įsitinkinkite, kad šalia esantis žmogus žino, kad naudojate gaminį.
- Atsižvelkite į nacionalinius arba vietos įstatymus. Jie gali drausti arba riboti gaminio naudojimą konkrečiomis sąlygomis.

## Mokymas

- Prieš naudodamiesi įrenginiu perskaitykite, įsigilinkite ir laikykitės visų ant jo esančių bei vadovuose pateikiamų nurodymų. Išsiaiškinkite, kaip veikia visi valdikliai ir kaip tinkamai naudotis įrenginiu. Išsiaiškinkite, kaip greitai sustabdyti įrenginį ir atjungti valdiklius.
- Įrenginio niekada neleiskite naudoti vaikams. Įrenginio niekada neleiskite naudoti suaugusiems, kurie nebuvo išmokyti juo naudotis.
- Darbo vietoje negali būti kitų asmenų, ypač vaikų.
- Saugokitės, kad nepaslystumėte ar nenuvirstumėte, ypač kai sniego valytuvą traukiate atbuline eiga.

## Naudojimo saugos instrukcijos

- Nekiškite rankų ar kojų prie arba po besisukančiomis dalimis. Išmetimo anga visada turi būti laisva.
- Būkite itin atsargūs, kai įrenginį stumiate per žvyru dengtą įvažiavimą, taką ar kelią. Būkite atidūs ir saugokitės pavojų bei eismo.
- Patekus pašaliniam daiktui sustabdykite variklį, atjunkite laidą nuo uždegimo žvakės, atjunkite elektrinių variklių laidą, kruopščiai patikrinkite produktą, ar jis nepažeistas, ir prieš vėl paleisdami ar pradėdami naudotis pataisykite produktą.
- Produktui pradėjus neįprastai vibruoti, sustabdykite variklį ir nedelsdami patikrinkite, kas nutiko. Paprastai vibracija įspėja apie gedimą.
- Sustabdykite variklį, kai tik norite pasišalinti iš darbinės padėties, prieš išvalydami sraigto korpusą ar išmetimo kreiptuvo deflektorių ir taisydami, reguliuodami ar tikrindami.
- Valydami, taisydami arba tikrindami produktą, sustabdykite variklį ir įsitinkinkite, kad sraigtai ir visos judančios dalys jau sustojo. Atjunkite uždegimo žvakės laidą ir jį laikykite atokiau nuo uždegimo žvakės, kad neleisumėte kam nors atsitiktinai paleisti variklio.
- Neleiskite varikliui dirbti uždaroje patalpoje, išskyrus užvedant variklį ir transportuojant produktą į pastatą arba iš jo. Atidarykite lauko duris – išmetami dūmai yra pavojingi.
- Būkite itin atsargūs įrenginį naudodami ant šlaitų.
- Niekada produkto nenaudokite be reikalingų apsaugų ir kitų apsauginių priemonių.
- Niekada nenukreipkite išmetimo kreiptuvo deflektoriaus į žmones arba vietas, kuriose galite pakenkti kitų turtui. Saugokitės žmonių.
- Neperkraukite įrenginio produkto, bandydami sniegą valyti greičiau, nei leidžia galia.
- Jei slidu, niekada nenaudokite produkto dideliu greičiu. Žiūrėkite atgal ir būkite itin atsargūs, kai įrenginį naudojate atbuline eiga.
- Išjunkite sraigto maitinimą, kai produktas yra transportuojamas arba nenaudojamas.
- Naudokite priedus ir papildomas priemones, kuriuos nustatė produkto gamintojas (pvz., ratų svorius, atsvarus arba kabinas).

- Niekada nenaudokite produkto esant prastam matomumui ar nepakankamai šviesos. Įsitikinkite, kad stovite tvirtai, ir stipriai laikykite rankenas. Eikite, niekada nebėkite.
- Niekada nelieskite karšto variklio arba duslintuvo.

## Sauga darbo vietoje

- Nuodugniai patikrinkite vietą, kur bus naudojamas įrenginys, ir pašalinkite durų kilimėlius, roges, lentas, laidus ir kitus pašalinius objektus.
- Prieš įjungdami variklį, išjunkite visas sankabas ir įjunkite neutralią pavarą.
- Nenaudokite produkto, jei nesate apsirengę tinkamais žieminiais drabužiais. Nedėvėkite laisvai krintančių drabužių, kurie gali patekti į judančias dalis. Avėkite neslystančią avalynę.
- Būkite atsargūs dirbdami su degalais – jie itin degūs.
  - Naudokite patvirtintą degalų baką.
  - Niekada nepilkite degalų, kai variklis įjungtas arba yra įkaišęs.
  - Degalų baką pildykite lauke ir itin saugodamiesi. Niekada nepildykite degalų bako patalpoje.
  - Bakų niekada nepildykite automobilyje, ant sunkvežimio arba priekaboje su plastikine danga. Prieš pildydami bakus visada pastatykite ant žemės, toliau nuo transporto priemonės.
  - Jei reikia, išimkite dujomis varomą įrenginį iš sunkvežimio arba priekabos, tada jį pripildykite. Jei to padaryti negalite, pildykite tokius įrenginius priekaboje naudodami neįsijamąjį bakelį, o ne degalų pildymo pistoletą.
  - Kol pripildysite, pistoletą visada laikykite prie degalų bako arba talpyklos angos krašto. Nenaudokite pistoleto fiksavimo įtaiso.
  - Tvirtai užsukite dangtelį ir nuvalykite išsipylusius degalus.
  - Nedelsdami persirenkite, jei degalais apsipylėte drabužius.
- Jei įsigijote įrenginį su elektriniu varikliu, naudokite gamintojo pridėtus ilginamuosius laidus.
- Išvalykite žvyrą ar skaldą ir sureguliuokite sraigto korpuso aukštį.
- Niekada neatlikinėkite jokių reguliavimo darbų, kai variklis veikia (išskyrus atvejus, kai tai specialiai rekomenduoja gamintojas).
- Dirbdami, reguliuodami arba atlikdami taisymo darbus visada dėvėkite apsauginius akinius arba akių apsaugas, kad apsaugotumėte akis nuo įrenginio išmestų dalių.

## Asmeninės apsauginės priemonės

Dirbdami gaminiu visada naudokite tinkamas asmenines apsaugines priemones. Į tai įeina bent tvirti batai, akių apsaugos priemonės ir apsauginės ausinės. Asmeninės apsauginės priemonės nepašalina pavojaus susižeisti, tačiau nelaimingo atsitikimo atveju galite mažiau nukentėti.

- Dirbdami su produktu ir atlikdami priežiūros arba reguliavimo darbus, visada dėvėkite apsauginius akinius arba akių apsaugas.
- Naudodami produktą visada dėvėkite tinkamus drabužius.
- Naudodami produktą visada avėkite patvarius neslystančius batus, tvirtai prilaukančius kulksnius.
- Nevilkėkite laisvų drabužių, kuriuos galėtų įtraukti judančios dalys.
- Jei reikia, naudokite patvirtintas apsaugines pirštines. Pavyzdžiui, pritvirtinant, tikrinant arba valant peilį.
- Dirbdami gaminiu visada naudokite apsaugines ausines. Ilgalais triukšmas gali pakenkti klausai.

## Gaminio apsauginės priemonės

- Nepamirškite reguliariai atlikti gaminio priežiūros darbų.
    - Gaminio tarnavimo trukmė padidėja.
    - Nelaimių pavojus sumažėja.
- Reguliariai perduokite gaminį patvirtintam pardavimo atstovui arba techninės priežiūros centrui, kuriame jis bus apžiūrėtas ir pakoreguotas arba suremontuotas.
- Nenaudokite gaminio, jei jo apsauginės priemonės pažeistos. Jei gaminys pažeistas, kreipkitės į patvirtintą techninės priežiūros centrą.

## Duslintuvas

Duslintuvas iki minimumo sumažina triukšmo lygį ir nukreipia nuo naudotojo variklio išmetamąsias dujas.

Nenaudokite gaminio, jei nėra duslintuvo arba jis yra pažeistas. Esant pažeistam duslintuvui padidėja triukšmo lygis ir kyla gaisro pavojus.



**PERSPĖJIMAS:** Darbo metu ir tada, kai variklis veikia tuščiaja eiga, duslintuvas labai įkaista ir kurį laiką išlieka karštas. Elkitės atsargiai su degiomis medžiagomis ir (arba) garais, kad išvengtumėte gaisro.

## Degalų naudojimo sauga



**PERSPĖJIMAS:** Prieš naudodami gaminį, perskaitykite toliau esančius įspėjimus.

- Neužveskite gaminio, jei ant gaminio yra kuro arba variklio alyvos. Nuvalykite nepageidaujamą kurą / alyvą ir palaukite, kol gaminys išdžius.
- Apsipylę drabužius kuru nedelsiant persirenkite.
- Neapsipilkite kūno kuru, nes jis gali sužaloti. Apsipylę kūną kuru, jį nusiplaukite muilu ir vandeniu.
- Neužveskite gaminio, jei iš variklio sunkiasi skysčiai. Reguliariai tikrinkite, ar iš variklio nesisunkia skysčiai.

- Atsargiai elkitės su kuru. Kuras yra degus, o jo garai – sprogūs, todėl neatsargiai elgiantis galima susižaloti arba žūti.
- Neįkvėpkite kuro garų, nes jie gali sužaloti. Pasirūpinkite tinkamu vėdinimu.
- Nerūkykite greta kuro arba variklio.
- Nedėkite šiltų objektų greta kuro arba variklio.
- Nepilkite kuro, kai variklis užvestas.
- Prieš pildami kurą įsitikinkite, ar variklis ataušęs.
- Prieš pildami kurą lėtai atidarykite kuro bakelio dangtelį ir atsargiai išleiskite slėgį.
- Nepilkite į variklį kuro būdami patalpoje. Dėl oro stygiaus galima susižaloti arba žūti uždusęs arba apsinuodijęs anglies monoksidu.
- Stipriai užsukite kuro bakelio dangtelį. Nepakankamai stipriai užsukus kuro bakelį kyla gaisro pavojus.
- Prieš pradėdami darbą patraukite gaminį mažiausiai 3 m / 10 pėdų nuo vietos, kurioje pylėte kurą.
- Nepripilkite sklidino kuro bakelio. Šildamas kuras plečiasi. Palikite vietos kuro bakelio viršuje.

### Įspėjimas dėl cheminių medžiagų



**PERSPĖJIMAS:** Šio gaminio variklio išmetamosiose dujose yra cheminių medžiagų, kurios Kalifornijos valstijoje yra pripažintos sukeliančiomis vėžį, apsigimimus ir kitą žalą reprodukciniams funkcijoms.



**PERSPĖJIMAS:** Prieš naudodami gaminį, perskaitykite toliau esančius įspėjimus.

- Variklio išmetamosiose dujose yra anglies monoksido – nuodingų, bekvapių ir labai pavojingų dujų. Nepaleiskite variklio patalpose ar uždaroje erdvėje.
- Prieš atlikdami techninę gaminio priežiūrą, sustabdykite variklį ir atjunkite uždegimo kabelį nuo uždegimo žvakės.
- Peilių techninės priežiūros darbus atlikite apsimovę apsaugines pirštines. Peiliai labai aštrūs ir gali lengvai įpjauti.
- Gamintojo nepatvirtinti priedai ir gaminio pakeitimai gali rimtai ar net mirtinai sužeisti. Nekeiskite gaminio. Visada naudokite tik gamintojo patvirtintus priedus.
- Jei techninė priežiūra atliekama netinkamai ir nereguliariai, padidėja sužeidimų ir žalos gaminiui pavojus.
- Atlikite tik naudojimo instrukcijoje nurodytus techninės priežiūros darbus. Visus kitus techninės priežiūros darbus turi atlikti patvirtintas techninės priežiūros atstovas.
- Patvirtintas techninės priežiūros atstovas turi reguliariai atlikti gaminio techninę priežiūrą.
- Pakeiskite pažeistas, sulūžusias arba susidėvėjusias dalis.

## Surinkimas



**PERSPĖJIMAS:** Prieš surinkdami gaminį perskaitykite ir supraskite skyrių apie saugą.

### Rankenų montavimas

1. Išimkite 4 M8 x 25 flanšinius varžtus (A) iš korpuso.
2. Naudokite 4 M8 x 25 flanšinius varžtus (A), 4 spyruoklinius (B) ir 4 plokščius tarpiklius (C).
3. Apatinę rankeną (D) pritvirtinkite 2 angose kiekvienoje korpuso pusėje. (Pav. 25)
4. Naudokite 3 M8 x 50 rankenų fiksuojamuosius varžtus (A), 3 tarpiklius (B), 3 rankenėles (C) ir 3 fiksavimo veržles (D).
5. Viršutinę rankeną su valdymo skydeliu (E) sumontuokite ant apatinės rankenos. (Pav. 26)

### Išmetimo kreiptuvo deflektoriaus montavimas

1. Išimkite sukimo įrenginio diską (B) ir 6 šešiakampius flanšinius varžtus (D) iš korpuso.
2. Pritvirtinkite sukimo įrenginio diską (B) ir išmetimo kreiptuvo deflektorių (A) ant išmetimo kreiptuvo pagrindo naudodamiesi 3 ribokliais (C).
3. Naudokite 6 šešiakampius flanšinius varžtus (D) ir 6 fiksavimo veržles (E), kad užfiksuotumėte riboklius (C). (Pav. 27)

### Išmetimo kreiptuvo sukimo įrenginio montavimas

1. Sumontuokite išmetimo kreiptuvo sukimo įrenginio priekinę dalį.
2. Priekinėje išmetimo kreiptuvo sukimo įrenginio dalyje sumontuokite plastikinę įvorę (B).
3. Pritvirtinkite išmetimo kreiptuvo sukimo įrenginį 1 plokščiu tarpikliu (A) ir 1 segtuku (C). (Pav. 28)

4. Sumontuokite išmetimo kreiptuvo sukimo įrenginio galinę dalį.
5. Išmetimo kreiptuvo sukimo įrenginį sumontuokite 1 fiksavimo veržle M8 (A), 1 plastike fiksavimo rankenėle (B), 2 lenktais tarpikliais (C) ir 1 srieginiu kampu (D).
6. Išmetimo kreiptuvo sukimo įrenginį (F) pritvirtinkite rankenos angose 1 šešiakampe veržle M8 (E). (Pav. 29)

## Važiavimo greičio valdymo trauklės montavimas

1. Važiavimo greičio valdymo trauklės ilgą lenktą galą (A) sumontuokite prie valdymo skydelio ir pritvirtinkite jį 1 jungiamojo strypo spyruokle (B), 1 plokščiu tarpikliu (C) ir 1 smeige (D). (Pav. 30)
2. Pakelkite aukštyn jungiamąją plokštelę (B) ir sumontuokite važiavimo greičio valdymo trauklės (A) trumpąjį lenktą galą. Pritvirtinkite važiavimo greičio

valdymo trauklę (A) 1 plokščiu tarpikliu (C) ir 1 smeige (D). (Pav. 31)

3. Jeigu reikia, pailginkite važiavimo greičio valdymo trauklę. Atsukite kabės fiksavimo veržlės ir pasukite kabę. Priveržkite kabę pradinėje vietoje, kad galėtumėte tinkamai valdyti greitį. Pradinę padėtis pažymėta ant sriegio. (Pav. 32)

## Sraigto ir pavaros laido montavimas

1. Nuimkite 2 laidų srieginius varžtus (B) nuo laidų (D).
2. Į angas ant kairės ir dešinės rankenos (A) įkiškite 2 laidų srieginius varžtus (B). (Pav. 33)
3. Sujunkite laidus (D) su srieginiais laido varžtais (B).
4. Prijunkite ir užfiksuokite kairį ir dešinį srieginį kabelio tarpą (D) bei srieginį laido varžtą (B), kol žalvarinės fiksavimo veržlės (C) viršus bus sulgyintas su žyme ant sriegio (E).
5. Užfiksuokite laidą žalvarine fiksavimo veržle (C).

## Veikimas



**PERSPĖJIMAS:** Prieš naudodami gaminį perskaitykite skyrių apie saugą ir naudojimo instrukcijas.

## Veiksmai prieš pradėdant naudoti įrenginį

- Įsitinkinkite, kad darbo zonoje nėra kitų žmonių ar gyvūnų.
- Atlikite kasdienę priežiūrą. Žr. *Priežiūros grafikas psl. 262*
- Įsitinkinkite, kad uždegimo laidas gerai prijungtas prie uždegimo žvakės.
- Jei reikia, įpilkite alyvos arba benzino. Žr. *Variklio pildymas alyva psl. 260*

## Variklio pildymas alyva



**PASTABA:** Tikrindami alyvą nesukite alyvos lygio matuoklio. Nepildykite aukščiau žymės.

1. Atsukite alyvos angos dangtelį ir nuvalykite alyvos lygio matuoklį. Alyvos lygio matuoklio vietos ieškokite *Gaminio apžvalga psl. 254*.
2. Įpilkite alyvos iki viršutinės žymės ant alyvos lygio matuoklio. Reguliariai tikrinkite alyvos lygį alyvos lygio matuokliu.
3. Atgal uždėkite alyvos dangtelį

## Degalų pripildymas

Jei įmanoma, naudokite ekologišką / alkilato benzina. Jei ekologiško / alkilato benzino naudoti negalite, naudokite geros kokybės bešvinį benzina. Naudokite 90

RON arba aukštesnio oktaninio skaičiaus benzina ne Šiaurės Amerikoje (87 (R+M) / 2 Šiaurės Amerikoje), kuriame daugiausia yra 10 % etanolio (E10).



**PASTABA:** Nenaudokite benzino, kurio oktaninis skaičius yra mažesnis nei 90 RON ne Šiaurės Amerikoje (87 (R+M) / 2 Šiaurės Amerikoje). Antraip galima sugadinti gaminį.

1. Lėtai atsukite degalų bakelio dangtelį, kad sumažintumėte slėgį.
2. Lėtai pilkite iš degalų kanistro. Jei išliejate degalus, nuvalykite juos audiniu ir palaukite, kol likę degalai išdžius.
3. Nuvalykite sritį aplink degalų bakelio dangtelį.
4. Gerai uždarykite degalų bako dangtelį. Netinkamai uždarius degalų bako dangtelį, kyla gaisro pavojus.
5. Prieš pradėdami darbą patraukite gaminį mažiausiai 3 m (10 pėdų) nuo vietos, kurioje pylėte degalus.

## Išmetimo kreiptuvo deflektoriaus reguliavimas

Kryptis, kuria valomas sniegas, valdoma kreiptuvo sukimo įrenginio valdiklio, sumontuoto ant kairės rankenos.

1. Norėdami nustatyti valomo sniego sukimosi kryptį, pasukite kreiptuvo sukimo įrenginio valdiklį.
2. Jeigu norite, kad sniegas būtų metamas į dešinę, pasukite kreiptuvo sukimo įrenginio valdiklį pagal laikrodžio rodyklę.
3. Jeigu norite, kad sniegas būtų metamas į dešinę, pasukite kreiptuvo sukimo įrenginio valdiklį prieš laikrodžio rodyklę. (Pav. 34)

4. Norėdami sureguliuoti sniego metimo atstumą, kampo deflektorių pakelkite aukštinį ir nuleiskite žemyn. (Pav. 35)

## Variklio užvedimas

1. Pavaros įjungimo paleidimas. Nustatykite greičio svirtį į pirmąją padėtį.
2. Pasukite degalų jungiklį į įjungimo padėtį. (Pav. 36)
3. Pasukite oro sklendę į uždarymo padėtį. (Pav. 37)
4. Pastumkite įjungimo / išjungimo raktą į paleidimo padėtį. (Pav. 38)
5. 1–3 kartus stumtelėkite degalų siurbliuką, kad įjungtumėte papildomą siurbli. Naudokitės papildomu siurbliu, kad paleistumėte šaltuoju būdu ir esant žemai temperatūrai. (Pav. 39)
6. Patraukite rankinio paleidimo rankenėlę. (Pav. 40)



**PASTABA:** Nepaleiskite rankinio paleidimo rankenėlės per greitai. Lėtai gražinkite ją į pradinę padėtį.

**Pasižymėkite:** Jei rankinio paleidimo rankenėlė užšalo, lėtai ištraukite kiek galima daugiau virvės iš starterio ir atleiskite rankinio starterio rankenėlę. Jei vis dar nepavyksta paleisti variklio, pakartokite pirmiau nurodytus veiksmus arba panaudokite elektrinį starterį.

7. Leiskite varikliui veikti tuščiaja eiga 30–40 sekundžių, prieš pradėdami valyti sniegą.
8. Kai variklis iššils, lėtai pastumkite oro sklendę į atidarymo padėtį. (Pav. 41)

## Variklio užvedimas, elektrinis užvedimas



**PERSPĖJIMAS:** Gaminys turi 230 voltų kintamosios srovės elektrinį starterį. Nenaudokite elektrinio starterio, jei jūsų name nėra 230 voltų kintamosios srovės tinkamai įžeminto tinklo. Galima sunkiai susižaloti arba sugadinti gaminį. Elektrinis starteris turi trijų gyslų maitinimo kištuką, skirtą 230 voltų kintamajai srovei iš kištukinio lizdo. Įsitinkinkite, kad jūsų name yra 230 voltų kintamosios srovės tinkamai įžemintas tinklas. Jei nesate tikri, kreipkitės į licencijuotą elektriką.

**Pasižymėkite:** Naudokite ilginamąjį kabelį, kurį rekomenduojama naudoti lauke, kurio gyslų dydis yra ne mažiau nei 16 AWG (1,5 mm<sup>2</sup>) ir kuris yra ne ilgesnis nei 15 m (50 pėdų).

1. Pavaros įjungimo paleidimas. Nustatykite greičio svirtį į pirmąją padėtį.
2. Pasukite degalų jungiklį į įjungimo padėtį. (Pav. 36)

3. Pasukite oro sklendę į uždarymo padėtį. (Pav. 37)
4. Pastumkite įjungimo / išjungimo raktą į paleidimo padėtį. (Pav. 38)
5. 1–3 kartus stumtelėkite degalų siurbliuką, kad įjungtumėte papildomą siurbli. Naudokitės papildomu siurbliu, kad paleistumėte šaltuoju būdu ir esant žemai temperatūrai. (Pav. 39)
6. Prijunkite gaminį prie maitinimo tinklo. (Pav. 42)
7. Paspauskite paleidimo mygtuką ant valdymo dėžės ir palaikykite jį nuspaustą 5 sekundes. (Pav. 43)
8. Nepavykus paleisti variklio, palaukite 5 sekundes, tada vėl paspauskite paleidimo mygtuką.



**PASTABA:** Nebandykite užvesti variklio daugiau nei 10 kartų. Pabandę 10 kartų, palaukite 40 minučių ir tik tada bandykite dar kartą.

9. Kai variklis užvedamas, atjunkite maitinimo laidą nuo gaminio.
10. Leiskite varikliui veikti tuščiaja eiga 30–40 sekundžių, prieš pradėdami valyti sniegą.
11. Kai variklis iššils, lėtai pastumkite oro sklendę į atidarymo padėtį. (Pav. 41)

## Gaminio naudojimas

1. Norėdami įjungti sraigą ir valyti sniegą, sraigto valdymo svirtį prispauskite prie rankenos. (Pav. 44)
2. Jeigu norite, kad įrenginys judėtų į priekį, pastumkite važiavimo greičio valdymo svirtį į kairę. Jeigu norite, kad įrenginys judėtų atgal, pastumkite važiavimo greičio valdymo svirtį į dešinę. (Pav. 45)
3. Pavaras įjunkite dešine rankena.
4. Jeigu norite įjungti varomuosius ratus, prispauskite pavaros įjungimo įtaisą prie rankenos. Gaminys juda į priekį arba atgal priklausomai nuo važiavimo greičio valdymo svirties vietos. (Pav. 46)

## Gaminio sustabdymas

**Pasižymėkite:** Jeigu norite įjungti variklį avariniu atveju, ištraukite įjungimo / išjungimo raktą.

1. Jeigu norite sustabdyti varančiuosius ratus, atlaisvinkite pavaros įjungimo įtaisą.
2. Norėdami išjungti sraigą ir nebevalyti sniego, atlaisvinkite sraigto įjungimo įtaisą. (Pav. 47)
3. Pasukite degalų jungiklį į išjungimo padėtį. (Pav. 48)
4. Ištraukite įjungimo / išjungimo raktą. (Pav. 49)

## Gerų rezultatų gavimas

- Visada leiskite varikliui veikti didžiausiomis apsuksomis arba joms artimomis.
- Visada pritaikykite produkto greitį sniego sąlygoms ir reguliuokite jį pavaros greičio valdymo svirtimi. Įsitinkinkite, kad produktas tolygiai valo sniegą.

- Lengviau ir ekonomiškiau pašalinti ką tik iškritusį sniegą.
- Jei įmanoma, sniegą visada valykite pavėjui.
- Ant lygių paviršių, pvz. asfaltuotų kelių, pakelkite slidimo plokštes 5-6 mm (0,2-0,25 col.) nuo žemės.
- Grandiklis yra apsukamas. Kai jis nusidėvi beveik iki korpuso krašto, apsukite jį. Pakeiskite grandiklio juosta, jei ji pažeista arba abi pusės nusidėvėjusios.
- Nenaudokite išmetimo kreiptuvo deflektoriaus, jei jis užsikimšęs.
- Jei produktas nejuda pirmyn dėl nenumatytų aplinkybių, iškart atleiskite pavaros įjungimą arba pasukite ĮJUNGIMO / IŠJUNGIMO raktą į padėtį IŠJUNGTA.

## Techninė priežiūra

### Priežiūros grafikas

Techninės priežiūros darbas	Kasdien	20 val.	50 val.	100 val.
Patikrinkite, ar veržlės ir varžtai yra priveržti	X			
Patikrinkite variklio alyvos lygį	X			
Alyvos keitimas <sup>91</sup>		X	X	X
Patikrinkite, ar nėra degalų arba alyvos nuotėkio	X			
Pašalinkite sraigto užsikimšimą ir pašalinkius objektus	X			
Padangų slėgio tikrinimas <sup>92</sup>			X	
Uždegimo žvakės patikra ir keitimas <sup>93</sup>				X

**Pasižymėkite:** Nebūtina sutepti pavarų dėžės ir atlikti kitokią jos priežiūrą.

### Bendroji apžiūra

- Įsitinkinkite, kad gaminio veržlės ir varžtai yra tinkamai priveržti.

### Alyvos lygio tikrinimas



**PASTABA:** Per mažas alyvos kiekis gali sukelti variklio gedimus. Prieš paleisdami gaminį patikrinkite alyvos lygį

1. Pastatykite gaminį ant lygaus paviršiaus.

2. Nusukite alyvos bakelio dangtelį su pridėtu alyvos lygio matuokliu.
3. Nuvalykite alyvą nuo matuoklės.
4. Visiškai įmerkite alyvos lygio matuoklį į alyvos bakelį, kad tinkamai išsiaiškintumėte alyvos lygį.
5. Ištraukite lygio matuoklę.
6. Patikrinkite alyvos lygį matuoklio pagalba.
7. Jei alyvos lygis nedidelis, pripilkite variklio alyvos ir vėl jį patikrinkite.

### Variklio alyvos pakeitimas

1. Leiskite varikliui šiek tiek padirbti, kad alyva sušiltų. Sušilusi alyva geriau teka ir išneša daugiau nešvarumų.

<sup>91</sup> Keiskite alyvą po pirmųjų 20 h, 50 h, 100 h, tada kas 100 h.

<sup>92</sup> Tinkamo padangų slėgio ieškokite techniniuose duomenyse.

<sup>93</sup> Kasmet prieš naudojimą tikrinkite ir valykite uždegimo žvakę.



**PERSPĖJIMAS:** Variklio alyva karšta. Saugokitės, kad panaudota variklio alyva nepatektų ant odos.

2. Pastatykite gaminį ant lygaus paviršiaus.
3. Leiskite varikliui paveikti, kol sudegs visi degalai.
4. Ištraukite užvedimo raktelį.
5. Po alyvos išleidimo angos kaiščiu padėkite indą.
6. Išimkite alyvos išleidimo angos kaištį, paverskite gaminį atgal ir išleiskite panaudotą alyvą į talpyklą. (Pav. 50)
7. Gražinkite gaminį atgal į darbinę padėtį.
8. Uždėkite alyvos išleidimo angos kaištį ir priveržkite jį ranka.
9. Pripilkite į variklį alyvos, žr. *Variklio pildymas alyva psl. 260*.

## Uždegimo žvakės tikrinimas



**PASTABA:** Visada naudokite rekomenduojamo tipo žvakes. Netinkamo tipo uždegimo žvakė gali pažeisti gaminį.

- Patikrinkite uždegimo žvakę, jei variklio galingumas mažas, jį sunku paleisti arba jis netinkamai veikia tuščiaja eiga.
- Norėdami sumažinti pašalinį medžiagų atsiradimą ant uždegimo žvakės elektrodų, laikykitės šių instrukcijų:
  - a) Įsitinkinkite, kad tinkamai sureguliuotas greitis tuščiaja eiga.
  - b) Įsitinkinkite, kad naudojate tinkamą degalų rūšį.
  - c) Patikrinkite, ar oro filtras švarus.
- Jeigu uždegimo žvakė purvina, nuvalykite ją ir patikrinkite, ar nustatytas tinkamas tarpas tarp elektrodų, žr. *Techniniai duomenys psl. 267*. (Pav. 51)
- Esant reikalui pakeiskite uždegimo žvakę.

## Sraigų ir grandiklio juostos patikra

1. Prieš kiekvieną naudojimą patikrinkite sraigų ir grandiklio juostos nusidėvėjimą.
2. Jei grandiklio juosta nusidėvėjusi, apsukite ją. Jei grandiklio juosta pažeista arba nusidėvėjusi abiejose pusėse, pakeiskite ją.
3. Jei sraigų kraštai nusidėvėję, dėl jų keitimo kreipkitės į įgaliotą aptarnavimo centrą.

## Slydimo plokščių reguliavimas

Slydimo plokštės apsaugo sniego valytuvo dugną. Pareguliuokite slydimo plokštės (A), jei fiksavimo veržlę (B) yra atspalaidavusi arba slydimo plokštės atstumas nuo žemės yra netinkamas. Įprasto montavimo atveju reguliuoti nereikia.

1. Atsukite fiksavimo veržlę (B) 3 mm (½ col.) atviru veržliarakčiu.
2. Pakelkite arba nuleiskite slydimo plokštės (A).
  - a) Ant lygaus paviršiaus nustatykite 5–6 mm (0,2–0,25 col.) gremžtuvo juostos atstumą iki žemės.
  - b) Ant nelygaus paviršiaus, nustatykite slydimo plokščių (A) padėtį, kad gremžtuvo juosta būtų virš žemės.



**PERSPĖJIMAS:** Užtikrinkite, kad į produktą nepatektų žvyro ir akmenų. Dideliu greičiu išsviesti objektai gali sužaloti.

3. Priveržkite fiksavimo veržlę (B). (Pav. 52)

## Pjautinio kaiščio pakeitimas

Pjautinis kaištis saugo gaminį nuo pažeidimų. Jeigu judančioms dalims kliudo svetimkūnis, jis sulūžta.

1. Jeigu pjautinis kaištis sulūžta, išjunkite variklį.
2. Įkiškite naują pjautinį kaištį (A) ir naują užveržimo spyruoklę (B). (Pav. 53)

## Padangų patikra

- Rūpinkitės, kad ant padangų nebūtų degalų, alyvos ir chemikalų, norėdami išvengti gumos pažeidimų.
- Saugokite padangas nuo kelmų, akmenų, provėžų, aštrių daiktų ir kitų padangas galinčių pažeisti objektų.
- Palaikykite tinkamą padangų slėgį, žr. *Techniniai duomenys psl. 267*.

## Užsikimšusio išmetimo kreiptuvo deflektoriaus valymas

Neatkimškite išmetimo kreiptuvo deflektoriaus, prieš tai neatlikę šių operacijų.

1. Vienu metu atjunkite sraigą ir pavarą.
2. Palaukite 10 sekundžių, norėdami įsitikinti, kad sraigatai sustojo.
3. Sustabdykite gaminį.
4. Kamščio pašalinimui naudokite valymo įrankį (bent 37 cm (15 col.) ilgio, pridedamas prie kai kurių modelių).



**PERSPĖJIMAS:** Nekiškite rankų į išmetimo kreiptuvo deflektorių ir sraigto kaušą.

## Gaminio valymas

- Plastikines dalis valykite švaria ir sausa šluoste.
- Gaminio neplaukite aukšto slėgio plovimo aparatu.
- Nepilkite vandens tiesiai ant variklio.
- Lapus, žolę ir purvą nuvalykite šepečiu.

## Gedimai ir jų šalinimas

### Gedimai ir jų šalinimas

Problema	Galima priežastis	Sprendimas
Nepavyksta užvesti gaminio	Neįstatytas apsauginis užvedimo raktelis.	Įstatykite apsauginį užvedimo raktelį.
	Baigėsi degalai.	Įpilkite į baką naujo šviežio benzino.
	Ijungimo / išjungimo raktas yra išjungimo padėtyje.	Ijungimo / išjungimo raktą perjunkite į jungimo padėtį.
	Oro sklendė yra padėtyje „OFF“ („CLOSE“).	Perjunkite oro sklendę į padėtį „ON“ („FULL, OPEN“).
	Degalų siurbliukas nenuspaustas.	Paspauskite degalų siurbliuką.
	Variklis perpildytas.	Palaukite kelias minutes, tada bandykite užvesti dar kartą. NEPUMPUOKITE siurbliuku.  Vėl užveskite variklį didžiausiomis apsuksomis ir oro sklendei esant padėtyje „OFF“ („CLOSE“).
	Uždegimo žvakės laidas neprijungtas.	Prijunkite laidą prie uždegimo žvakės.
	Uždegimo žvakė bloga.	Pakeiskite uždegimo žvakę.
	Degaluose yra vandens arba degalai per seni.	Ištuštinkite degalų bakelį ir karbiuratorių. Įpilkite į baką naujo šviežio benzino.
	Degalų linijoje yra įstrigusiu garų.	Užtikrinkite, kad visa degalų linija būtų žemiau degalų bako angos. Degalų linija turi nuolat eiti žemyn nuo degalų bako iki pat karbiuratoriaus.
	Kitos priežastys.	Atidžiai patikrinkite, ar atliktos visos šiame vadove pateiktos užvedimo procedūros.
	Degalų jungiklis (jei yra) yra uždarytoje padėtyje (išjungtas).	Pasukite degalų jungiklį į atidarytą padėtį (įjungta).
Droselio gaidukas yra padėtyje „STOP“.	Perjunkite akceleratorių į padėtį „FAST“.	



<b>Problema</b>	<b>Galima priežastis</b>	<b>Sprendimas</b>
Sumažinta galia	Uždegimo žvakės laidas neprijungtas.	Prijunkite laidą prie uždegimo žvakės.
	Gaminys išmeta per daug sniego.	Sumažinkite greitį ir ruožo plotį.
	Degalų bako dangtelis pasidengė ledu ar sniegu.	Nuvalykite ledą ir sniegą, susikaupusį aplink degalų bako dangtelį ir ant jo.
	Duslintuvus purvinas arba užsikimšęs.	Išvalykite arba pakeiskite duslintuvą.
	Netinkamas laido ilgis.	Sureguliuokite laidą.
	Duslintuvus užkimštas.	Išitinkinkite, kad variklis šaltas. Pašalinkite kamštį.
	Užkimšta karbiuratoriaus oro įsiurbimo anga.	Išitinkinkite, kad variklis šaltas. Pašalinkite kamštį.
Variklis veikia tuščiaja eiga arba netolygiai	Oro sklendė yra padėtyje „ON“ („FULL, OPEN“).	Perjunkite oro sklendę į padėtį „OFF“ („CLOSE“).
	Degalų linija užblokuota.	Išvalykite degalų liniją.
	Degaluose yra vandens arba degalai per seni.	Ištuštinkite degalų bakelį ir karbiuratorių. Įpilkite į baką naujo šviežio benzino.
	Reikia pakeisti karbiuratorių.	Kreipkitės į įgaliotąjį techninės priežiūros centrą.
	Diržas išsitampęs.	Pakeiskite trapecinį sraigto diržą.
Per didelė vibracija / rankenos judėjimas	Kai kurios dalys atsilaisvino. Pažeisti sraigčiai.	Priveržkite visas tvirtinimo detales. Pakeiskite apgadintas dalis. Jei vibracija išlieka, kreipkitės į įgaliotąjį techninės priežiūros centrą.
	Netinkama rankenų padėtis.	Išitinkinkite, kad rankenos užfiksuotos vietoje.
	Nepriveržtos reguliavimo svirties veržlės.	Priveržkite veržles, kol rankena laikysis saugiai.
Sunku traukti rankinio paleidimo rankenėlę.	Rankinio paleidimo rankenėlė užšalo.	Lėtai ištraukite kiek galima daugiau virvės iš starterio ir atleiskite rankinio paleidimo rankenėlę. Jei vis dar nepavyksta paleisti variklio, pakartokite pirmiau nurodytus veiksmus arba panaudokite elektrinį starterį.
	Virvė kliūva už dalių.	Paleidimo virvelė neturėtų liestis prie jokių laidų ar žarnų.

Problema	Galima priežastis	Sprendimas
Dingo trauka / sumažėjo važiavimo greitis  Nemetamas sniegas arba lėtėjantis sniego metimas	Praslysta diržas.	Sureguliuokite laidą. Sureguliuokite diržą.
	Diržas susidėvėjęs.	Patikrinkite / pakeiskite diržą.
	Diržas nuslydo nuo skriemulio.	Patikrinkite / uždėkite diržą.
	Išmetimo kreiptuvo deflektorius užsikimšęs.	Išvalykite išmetimo kreiptuvo deflektorių.
	Sraigčiai užsikimšo pašaliniais objektais.	Iš sraigtų pašalinkite šiukšles ir pašalinius objektus.
	Pjautinis kaištis nulūžęs.	Pakeiskite nulūžusį pjautinį kaištį.
	Tarp vikšrų dalių susikaupė daug sniego ir ledo.	Nuvalykite sniegą ir ledą, susikaupusį tarp vikšrų dalių.
	Frikcinės pavaros ratas susidėvėjęs.	Kreipkitės į įgaliotąjį techninės priežiūros centrą.
Sraigto sukimosi sutrikimas atleidus rankeną	Pavaros diržas nesulygiuotas.	Sureguliuokite pavaros diržą.
	Išmetimo deflektorius nesulygiuotas.	Sureguliuokite išmetimo deflektorių.
Lemputės (jei yra) nešviečia	Variklis neveikia.	Paleiskite variklį.
	Kabelio jungtis laisva.	Patikrinkite kabelio jungtis ties varikliu ir lempučių.
	LED perdegė.	Pakeiskite LED lempučių modulį. Atskirų LED pakeisti negalima.
Kreiptuvo sukimo įrenginys sunkiai juda	Kreiptuvo sukimo įrenginio mechanizme yra šiukšlių.	Išvalykite vidines kreiptuvo sukimo įrenginio mechanizmo dalis.
	Laidai sulenkti arba pažeisti.	Patikrinkite, ar laidai nesulenkti. Pakeiskite pažeistus laidus.
Gaminys sukasi į vieną pusę	Padangų slėgis nevienodas.	Pripūskite padangas ir sureguliuokite slėgį.
	Gaminį varo tik vienas ratas.	Įkiškite padangos fiksavimo kaištį.
	Netolygiai sureguliuotos slidės.	Sureguliuokite slydimo plokštes ir roges.
	Netolygiai sureguliuotos slydimo plokštes.	Sureguliuokite slydimo plokštes ir roges.

## Transportavimas, saugojimas ir utilizavimas

### Transportavimas ir laikymas

- Norėdami laikyti ir transportuoti gaminį ir degalus, įsitinkite, kad nėra nuotėkio ir jis neskleidžia išmetamųjų dujų. Žiežirbos arba atvira ugnis, pvz., elektriniai įrenginiai arba džiovituvai, gali sukelti gaisrą.
- Degalus laikykite ir transportuokite tik patvirtintuose konteneriuose.
- Ištuštinkite degalų bakelį prieš padėdami gaminį laikyti ilgam laikui.
- Jeigu karbiuratoriaus degalų kameroje yra išleidimo kamštis, prieš perduodami gaminį sandėliuoti ilgą laiką, išleiskite degalus iš karbiuratoriaus.
- Saugiai pritvirtinkite gaminį prieš jį transportuoti, kad nepažeistumėte ir išvengtumėte nelaimingų atsitikimų.

- Laikykite gaminį užrakintoje patalpoje, kad jo nepasiektų vaikai arba neįgalieji asmenys.
- Laikykite gaminį sausoje neužšalancioje vietoje.

## Šalinimas

- Laikykitės vietinių reikalavimų ir galiojančių teisės aktų.

- Išpilkite visas chemines medžiagas, pavyzdžiui, variklio alyvą arba degalus techninės priežiūros centre arba tinkamoje šalinimo vietoje.
- Išmeskite gaminį patvirtintoje išmetimo vietoje arba nusiųskite jį Husqvarna išmesti.

# Techniniai duomenys

## Techniniai duomenys

<b>ST 124</b>	
<b>Matmenys</b>	
Svoris su tuščiais bakeliais, kg	76
Maks. darbinis padangų slėgis, PSI	20
Išsiurbimo aukštis, cm	53,3
Darbinis plotis, cm	61
<b>Variklis</b>	
Gamintojas	Husqvarna
Vardinė variklio galia, kW	4,3
Darbinis tūris, cc	212
Degalų rūšis	[prastas bešvinis (daugiausia – 10 % etanolio)]
Degalų bako talpa, gal/l	0,58 / 2,2
Alyvos tipas (API SJ-SN)	SAE 5W30 (žemiau nei 0 °C (32 °F))
Alyvos talpa, unc. / l	20 / 0,6
<b>Elektros sistema</b>	
Uždegimo žvakė	F7RTC
Tarpas tarp uždegimo žvakių elektrodų (col./mm)	0,027–0,031 / 0,7–0,8
<b>Skleidžiamas triukšmas</b> <sup>94</sup>	
Garso galios lygis, matuojamas dB (A)	100
Garso galios lygis, garantuojamas L <sub>WA</sub> dB (A)	102
<b>Garso lygiai</b> <sup>95</sup>	
Operatoriaus ausį veikiantis garso slėgio lygis, L <sub>PA</sub> dB(A)	86

<sup>94</sup> Triukšmas, skleidžiamas į aplinką, išmatuotas kaip garso galia (L<sub>WA</sub>) pagal EB direktyvas 2000/14/EB ir 2005/88/EB. Pateikiamų skleidžiamo triukšmo duomenų būdingoji statistinė sklaida (standartinis nuokrypis) lygi 1,5 dB (A). Netikslumas = 1,5 dB(A)

<sup>95</sup> Triukšmo slėgio lygis pagal EN ISO 11201. Pateikiamų triukšmo slėgio duomenų būdingoji statistinė dispersija (standartinis nuokrypis) lygi 1,5 dB(A). Netikslumas = 1,5 dB(A)

	<b>ST 124</b>
<b>Vibrācijas lygial, <math>a_{\text{Hveq}}^{96}</math></b>	
Rankenos vibrācijas lygis, kairēje / dešīnēje	4,15 / 4,08

---

<sup>96</sup> Vibrācijas lygis pagal ISO 8437-4 B priedā. Netikslumas = 1,5 m/s<sup>2</sup>

## EB atitikties deklaracija

### EB ATITIKTIES DEKLARACIJOS TURINYS

Mes, „Husqvarna“, SE-561 82 Huskvarna, ŠVEDIJA,  
savo atsakomybe pareiškiamo, kad pateiktas gaminy:

Aprašas	Sniego valytuvas
Gamintojas	Husqvarna
Platforma / tipas / modelis	ST 124
Partija	Serijos numerių data nuo 2020

visiškai atitinka šias ES direktyvas ir reglamentus:

Direktyva / reglamentas	Aprašas
2006/42/EB	dėl mašinų
2014/30/ES	dėl elektromagnetinio suderinamumo
2000/14/EB; 2005/88/EB	dėl triukšmo lauke
2011/65/ES	dėl tam tikrų pavojingų medžiagų naudojimo apribojimo

Taikomi tokie darnieji standartai ir (arba) techninės specifikacijos: EN ISO 12100:2010, EN ISO 14982:2009, ISO 8437-1:2019, ISO 8437-2:2019, ISO 8437-4:2019, ISO 3744:1995, EN 1032:2003+A1:2008, EN 50581:2012

Pagal 2000/14/EB ir 2005/88/EB direktyvos V priedą nustatytosios garso vertės pateikiamos šios instrukcijos techninių duomenų skyriuje ir pasirašytoje EB atitikties deklaracijoje.

Pateiktas sniego valytuvas atitinka pavyzdį, kurį naudojant buvo atlikta patikra.

„Husqvarna AB“, SE-561 82 Huskvarna, ŠVEDIJA,  
vardu, 2020-02-07



Claes Losdal

UŽ ES techninių dokumentų rengimą atsakingas asmuo

---

# INNHold

---

Innledning.....	270	Feilsøking.....	280
Sikkerhet.....	271	Transport, oppbevaring og avhending.....	282
Montering.....	275	Tekniske data.....	283
Drift.....	276	EF-samsvarserklæring.....	284
Vedlikehold.....	278		

---

## Innledning

---

### Produktoversikt

(Fig. 1)

1. Mateskrueinnkobling
2. Styrespak for kjørehastighet
3. Kontrollpanel
4. Mateskruekabel
5. Kontroll for sjaktrotator
6. Sjaktdeflektor
7. Rengjøringsverktøy
8. Mateskruehus
9. Mateskruer
10. Beskyttelsesplate
11. Dekk
12. Oljepåfylling
13. Motor
14. Nedre håndtak
15. Kontrollstag for kjørehastighet
16. Girinnkoblingskabel
17. Håndtak for startsnor
18. Girinnkobling
19. Håndtak
20. Drivstoffpumpe
21. Choke
22. Drivstoffbryter
23. Av/på-nøkkel
24. Bruksanvisning

### Produktbeskrivelse

Produktet er en snøfreser som brukes til å fjerne snø fra bakken.

### Bruksområder

Dette produktet kan brukes til å fjerne snø fra åkre, veier, gangveier og oppkjørsler. Ikke bruk produktet i skråninger som heller mer enn 15°. Ikke bruk produktet i områder hvor det er mye avfall, grus og utstikkende steiner.

### Symbols on the product

---

**Merk:** If the decals on the product are damaged, contact the distributor to replace them.

---

- (Fig. 2) Warning.
- (Fig. 3) Read the operator's manual.
- (Fig. 4)
- (Fig. 5) Hot surface.
- (Fig. 6) Risk of fire.
- (Fig. 7) Choke.
- (Fig. 8) Pull starter rope handle.
- (Fig. 9) Do not breathe in the exhaust fumes from the engine.
- (Fig. 10) Do not put any part of the body into the chute deflector or the auger housing when the augers rotate.
- (Fig. 11) Stop the engine before you remove snow from the chute deflector. Use the clean-out tool to remove snow, do not do it by hand.
- (Fig. 12)
- (Fig. 11) Keep hands away from the chute deflector.
- (Fig. 13) Objects can be ejected from the product.
- (Fig. 14) Keep bystanders away from the product when operating.
- (Fig. 15) Remove key before maintenance.
- (Fig. 16) Push in the on/off key to the RUN position.
- (Fig. 17) Turn the fuel switch to the ON position.
- (Fig. 18) Push the primer.
- (Fig. 19) Risk of falling.

- (Fig. 20) Move slowly rearward.
- (Fig. 21) Use approved protective gloves.
- (Fig. 22) Use a protective helmet. Use approved hearing protection. Use approved eye protection.
- (Fig. 23) Noise emissions to the environment according to European Directive 2000/14/EC and New South Wales legislation "Protection of the Environment Operations (Noise Control) Regulation 2017". Noise emission data can be found on the machine label and in the Technical data chapter.
- (Fig. 24) European machinery directive for safety.

**Merk:** Other symbols/decals on the product refer to certification requirements for some markets.

## Euro V-utslipp



**ADVARSEL:** Tukling med motoren opphever EU-type-godkjenningen til dette produktet.

## Sikkerhet

### Sikkerhetsdefinisjoner

Definisjonene nedenfor angir alvorlighetsgraden for hvert signalord.



**ADVARSEL:** Skade på personer.



**OBS:** Skade på produktet.

**Merk:** Denne informasjonen gjør produktet lettere å bruke.

### Sikker bruk av skyvesnøfresere

#### Generelt

Denne maskinen kan kutte av hender og føtter og slynge ut gjenstander. Dersom følgende sikkerhetsanvisninger ikke blir fulgt, kan dette føre til alvorlig personskade.

#### Opplæring

- Alle instruksjoner på maskinen og i bruksanvisningene må være lest og forstått før enheten brukes. Gjør deg godt kjent med kontrollene og riktig bruk av maskinen. Lær hvordan du stopper enheten og kobler ut kontrollene raskt.

### Produsent

Husqvarna AB

Drottninggatan 2, SE-561 82 Huskvarna

### Produktansvar

Som nevnt i lovverket om produktansvar er vi ikke ansvarlig for skader som produktet vårt forårsaker, i følgende tilfeller:

- Produktet er reparert på feil måte.
- Produktet er reparert med deler som ikke kommer fra produsenten eller som ikke er godkjent av produsenten.
- Produktet har et tilbehør som ikke kommer fra produsenten eller som ikke er godkjent av produsenten.
- Produktet er ikke reparert på et godkjent servicesenter eller av en godkjent aktør.

- La aldri barn bruke maskinen. La aldri voksne bruke maskinen uten tilstrekkelige instruksjoner.
- Sørg for at personer, spesielt små barn, holder seg unna arbeidsområdet.
- Vær forsiktig så du ikke sklir eller faller, spesielt når maskinen benyttes i revers.

#### Forberedelse

- Kontroller grundig området der maskinen skal brukes, og fjern alle dørmatter, sleder, brett, ståltråd/ledninger og andre fremmedlegemer.
- Koble fra alle clutchene, og sett giret i fri før du starter motoren.
- Ikke bruk maskinen uten å bruke egnede vinterplagg. Ha ikke på deg løstsittende plagg som kan sette seg fast i roterende deler. Bruk fottey som gir bedre fotfeste på glatte overflater.
- Ha alltid på deg vernebriller under bruk eller når du utfører justeringer eller reparasjoner, da fremmedlegemer kan slynges ut av maskinen.
- Drivstoff må behandles forsiktig. Det er svært brennbart.
  - Bruk en godkjent drivstoffbeholder.
  - Fyll aldri drivstoff på en motor som er i gang eller varm.
  - Drivstofftanken skal fylles utendørs med stor nøyaktighet. Fyll aldri drivstofftanken innendørs.
  - Fyll aldri opp drivstoffbeholdere inne i et kjøretøy eller på et lasteplass med plastdekk. Plasser alltid beholdere på bakken vekk fra kjøretøyet når du fyller.

- Om mulig fjernes gassdrevet utstyr fra lastebilen eller trucken og drivstoff fylles opp på bakken. Hvis dette ikke er mulig, etterfyller du heller slikt utstyr på en tilhenger med en bærbar kanne, fremfor fra en bensinpumpe.
- Hold pistolen i kontakt med kanten på tanken eller beholderen hele tiden, inntil alt drivstoffet er fylt på. Bruk ikke en enhet som lar munnstykket stå åpent uten at det holdes manuelt.
- Sett tankklokke godt på igjen, og tørk opp sølt drivstoff.
- Skift klær umiddelbart hvis du søler drivstoff på klærne.
- Bruk skjøteledninger og stikkontakter i henhold til produsentens spesifikasjoner for alle enheter med elektrisk startmotor.
- Juster høyden på oppsamlerhuset for å fjerne grus eller knust stein.
- Forsøk aldri å foreta justeringer mens motoren er i gang (unntatt når dette anbefales uttrykkelig av produsenten).

### Drift

- Hold hender og føtter på avstand fra roterende deler. Hold alltid avstand til utkaståpningene.
- Vær spesielt forsiktig når du arbeider på eller krysser grusveier eller fortauer. Vær oppmerksom på skjulte farer, og vær forsiktig når du arbeider i nærheten av offentlige veier.
- Hvis du treffer et fremmedlegeme, må du stoppe motoren, fjerne kabelaen fra tennpluggen, koble fra ledningen på elektriske motorer, inspisere snøfreseren grundig for eventuelle skader og reparere skaden før du starter og bruker snøfreseren på nytt.
- Hvis maskinen skulle begynne å vibrere unormalt, stopper du motoren og sjekker umiddelbart årsaken. Vibrasjon er generelt en advarsel om at noe er galt.
- Stopp motoren når du forlater betjeningsposisjonen, før du renser oppsamler-/impellerhuset eller utkastsjakten, og før du utfører reparasjoner, justeringer eller inspeksjoner.
- Ikke kjør motoren innendørs, bortsett fra når du starter motoren og transporterer snøfreseren inn eller ut av bygningen. Åpne utedører, avgasser er farlige.
- Vær ekstremt forsiktig når du betjener produktet i bakker/hellinger.
- Bruk aldri maskinen uten at vern og andre verneinnretninger er på plass og fungerer.
- Rett aldri snøspruten mot folk eller områder hvor det kan oppstå skader på gods. Hold barn og andre på avstand.
- Ikke overbelast maskinen ved å forsøke å fjerne snø i for stor hastighet.
- Bruk aldri maskinen på høy transporthastighet på glatt underlag. Se bakover og vær forsiktig når du bruker produktet i revers.

- Koble ut drivkilden til oppsamleren/impelleren når maskinen transporteres eller ikke er i bruk.
- Bruk bare arbeidsredskaper og ekstrautstyr som er godkjent av produsenten av maskinen (for eksempel hjulvekter, motvekter og operatøroverbygg).
- Bruk aldri maskinen uten god sikt eller god belysning. Pass alltid på at du står støtt og hold godt i håndtakene. Gå, ikke løp.
- Berør aldri en varm motor eller lydtemper.

### Slik tømmer du en tilstoppet utkastsjakt

- Håndkontakt med den roterende impelleren inne i utkastsjakten er den vanligste årsaken til personskader i forbindelse med snøfresere. Bruk aldri hendene når du skal rengjøre sjakten.
- Sjakten rengjøres på følgende måte:
  1. SLÅ AV MOTOREN!
  2. Vent i 10 sekunder for å være sikker på at impellerbladene har sluttet å rotere.
  3. Bruk alltid et verktøy, ikke hendene, til rengjøringen.

### Vedlikehold og lagring

- Kontroller regelmessig at skjærebolter og andre bolter er godt strammet, for å sikre at utstyret arbeider trygt.
- Oppbevar aldri maskinen med drivstoff i drivstofftanken inne i en bygning der det finnes antenneskilder, for eksempel varmtvannsberedere, varmeovner eller tørketromler. La motoren kjøles ned før maskinen lagres i et lukket rom.
- Les alltid den relevante informasjonen i instruksjonsboken hvis snøfreseren skal lagres i en lengre periode.
- Vedlikehold eller skift ut sikkerhetsetikettene etter behov.
- Kjør maskinen noen minutter etter bruk for å hindre at oppsamleren/impelleren fryser fast.
- Når du skal rengjøre, reparere eller inspisere snøfreseren, må du stoppe motoren og forsikre deg om at oppsamleren/impelleren og alle bevegelige deler har stanset. Koble fra pluggkabelaen og hold kabelaen unna tennpluggen for å hindre utilsikket start av motoren.

### Generelle sikkerhetsinstruksjoner

- Bruk produktet riktig. Personskade eller død er mulige konsekvenser av feil bruk. Produktet må kun brukes til oppgaver angitt i denne bruksanvisningen. Ikke bruk produktet til andre oppgaver.
- Følg instruksjonene i denne bruksanvisningen. Følg symbolene og sikkerhetsinstruksjonene. Personskade, materiell skade eller død er mulige konsekvenser hvis brukeren ikke følger instruksene og symbolene.
- Ikke kast denne bruksanvisningen. Bruk instruksjonene for å montere, bruke og holde produktet i god stand. Følg instruksjonene for riktig



montering av tilbehør og tilleggsutstyr. Bruk bare godkjent tilbehør og tilleggsutstyr.

- Ikke bruk et skadet produkt. Følg vedlikeholdsskjemaet. Utfør bare vedlikehold som du finner instruksjoner om i denne bruksanvisningen. Et godkjent servicesenter må gjøre alt annet vedlikeholdsarbeid.
- Denne bruksanvisningen kan ikke dekke alle situasjoner som kan oppstå når du bruker produktet. Vær forsiktig, og bruk sunn fornuft. Ikke bruk produktet eller utfør vedlikehold av produktet hvis du ikke føler deg trygg i situasjonen. Snakk med en produktskspert, forhandleren, serviceverkstedet eller et godkjent servicesenter for mer informasjon.
- Koble fra tennpluggkabelen før du monterer produktet, setter produktet til oppbevaring eller utfører vedlikehold.
- Ikke bruk produktet hvis det er endret fra den opprinnelige spesifikasjonen. Ikke bytt en del av produktet uten godkjenning fra produsenten. Bruk bare reservedeler som er godkjent av produsenten. Personskade eller død er mulige konsekvenser av feil vedlikehold.
- Ikke pust inn avgassene fra motoren. Langvarig innånding av motorens avgasser utgjør en helseisiko.
- Ikke start produktet innendørs eller i nærheten av brennbare materialer. Eksosen er varm og kan inneholde gnister som kan starte en brann. En utilstrekkelig luftstrøm kan føre til personskade eller død på grunn av kveling eller karbonmonoksidforgiftning.
- Motoren genererer et elektromagnetisk felt når du bruker dette produktet. Det elektromagnetiske feltet kan føre til skader på medisinske implantater. Snakk med legen din og produsenten av det medisinske implantatet før du bruker produktet.
- Ikke la barn bruke produktet. Ikke la en person bruke produktet uten kunnskap om instruksjonene.
- Sørg for at du alltid overvåker personer med redusert fysisk eller mental kapasitet når de bruker produktet. En ansvarlig voksen må alltid være til stede.
- Lås inn produktet et sted som barn og uautoriserte personer ikke har tilgang til.
- Produktet kan kaste ut løse gjenstander og forårsake personskade. Følg instruksjonene for å redusere faren for personskade eller død.
- Ikke forlat produktet når motoren er på.
- Brukeren av produktet er ansvarlig hvis det skjer en ulykke.
- Før og mens du går bakover, må du se bakover og ned etter små barn, dyr eller andre farer som kan føre til at du faller.
- Pass på at delene ikke er skadet, før du bruker produktet.
- Kontroller at du er minst 15 m unna andre personer eller dyr, før du bruker produktet. Pass på at

personer i nærheten vet at du kommer til å bruke produktet.

- Se nasjonale eller lokale lover. De kan forby eller begrense bruken av produktet under enkelte forhold.

## Opplæring

- Alle instruksjoner på maskinen og i bruksanvisningene må være lest og forstått før enheten brukes. Gjør deg godt kjent med kontrollene og riktig bruk av utstyret. Lær hvordan du stopper enheten og kobler ut kontrollene raskt.
- La aldri barn benytte utstyret. La aldri voksne bruke utstyret uten tilstrekkelige instruksjoner.
- Sørg for at personer, spesielt små barn, holder seg unna arbeidsområdet.
- Vær forsiktig så du ikke sklir eller faller, spesielt når snøfreseren benyttes i revers.

## Sikkerhetsinstruksjoner for drift

- Hold hender og føtter på avstand fra roterende deler. Hold alltid avstand til utkastpningene.
- Vær spesielt forsiktig når du arbeider på eller krysser veier, fortauer og innkjørsler. Vær oppmerksom på skjulte farer eller trafikk.
- Hvis du treffer et fremmedlegeme, må du stoppe motoren, fjerne kabelen fra tennpluggen, koble fra ledningen på de elektriske motorene, inspisere produktet grundig for eventuelle skader og reparere skaden før du starter produktet på nytt og bruker det.
- Hvis produktet skulle begynne å vibrere unormalt, stopper du motoren og sjekker årsaken umiddelbart. Vibrasjon er generelt en advarsel om at noe er galt.
- Stopp motoren når du forlater betjeningsposisjonen, før du renser mateskruerhuset eller kanaldeflektoren og når du utfører reparasjoner, justeringer eller inspeksjoner.
- Når du skal rengjøre, reparere eller inspisere produktet, må du stanse motoren og forsikre deg om at alle bevegelige deler har stanset. Koble fra pluggkabelen og hold kabelen unna tennpluggen for å hindre utilsiktet start av motoren.
- Ikke kjør motoren innendørs, bortsett fra når du starter motoren og transporterer produktet inn eller ut av bygningen. Åpne utedører, avgasser er farlige.
- Vær ekstremt forsiktig når du betjener produktet i bakker/hellinger.
- Bruk aldri produktet uten vern eller andre verneinnretninger som er på plass og fungerer.
- Rett aldri kanaldeflektoren mot folk eller områder der det kan oppstå skader på gods. Hold barn og andre på avstand.
- Ikke overbelast produktkapasiteten ved å forsøke å fjerne snø i for stor hastighet.
- Bruk aldri produktet på høy transporthastighet på glatt underlag. Se bakover og vær forsiktig når du bruker produktet i revers.
- Koble fra strømmen til mateskruene når produktet transporteres eller ikke er i bruk.

- Bruk bare arbeidsredskaper og ekstrautstyr som er godkjent av produsenten av produktet (for eksempel hjulveker, motveker og lignende).
- Bruk aldri dette produktet uten god sikt eller god belysning. Pass alltid på at du står støtt og hold godt i håndtakene. Gå, ikke løp.
- Berør aldri en varm motor eller lydtemper.

## Sikkerhet i arbeidsområdet

- Kontroller grundig området der utstyret skal brukes, og fjern alle dørmatter, sleder, brett, ståltråd/ledninger og andre fremmedlegemer.
- Koble fra alle clutchene, og sett giret i fri før du starter motoren.
- Ikke bruk produktet uten å bruke egnede vinterplagg. Ha ikke på deg løstsittende plagg som kan sette seg fast i roterende deler. Bruk fottøy som gir bedre fotfeste på glatte overflater.
- Drivstoff må behandles forsiktig. Det er svært brennbart.
  - Bruk en godkjent drivstoffbeholder.
  - Fyll aldri drivstoff på en motor som er i gang eller varm.
  - Drivstofftanken skal fylles utendørs med stor nøyaktighet. Fyll aldri drivstofftanken innendørs.
  - Fyll aldri opp drivstoffbeholdere inne i et kjøretøy eller på et lasteplan med plastdekke. Plasser alltid beholdere på bakken vekk fra kjøretøyet når du fyller.
  - Om mulig fjernes gassdrevet utstyr fra lastebilen eller trucken og drivstoff fylles opp på bakken. Hvis dette ikke er mulig, etterfyller du heller slikt utstyr på en tilhenger med en bærbar kanne, fremfor fra en bensinpumpe.
  - Hold pistolen i kontakt med kanten på tanken eller beholderen hele tiden, inntil alt drivstoffet er fylt på. Bruk ikke en enhet som lar munnstykket stå åpent uten at det holdes manuelt.
  - Sett tankklokke godt på igjen, og tørk opp sølt drivstoff.
  - Skift klær umiddelbart hvis du søler drivstoff på klærne.
- Bruk skjøteledninger og stikkontakter som er oppgitt av produsenten for alle enheter med elektriske motorer eller elektriske startmotorer.
- Juster høyden på mateskruehuset for å fjerne grus eller knust stein.
- Forsøk aldri å foreta justeringer mens motoren er i gang (unntatt når dette anbefales uttrykkelig av produsenten).
- Ha alltid på deg vernebriller under bruk eller når du utfører justeringer eller reparasjoner, da fremmedlegemer kan slynges ut av maskinen.

## Personlig verneutstyr

Bruk alltid egnet personlig verneutstyr når du bruker produktet. Dette omfatter minimum solid fottøy, øyevern og hørselsvern. Personlig verneutstyr fjerner ikke

skaderisikoene, men det kan redusere skadeomfanget hvis ulykken skulle være ute.

- Ha derfor alltid på deg vernebriller mens du betjener produktet eller når produktet skal justeres eller repareres.
- Bruk alltid egnet vintertøy når du bruker produktet.
- Bruk alltid kraftige og sklisikre støvler med god ankelstøtte mens du bruker produktet.
- Bruk ikke løstsittende klær som kan sette seg fast i bevegelige deler.
- Bruk godkjente vernehansker ved behov. For eksempel når du fester, undersøker eller rengjør kniven.
- Bruk alltid godkjent hørselsvern når du bruker produktet. Støy over en lang periode kan forårsake støyrelatert hørselsskade.

## Sikkerhetsutstyr på produktet

- Pass på at du regelmessig utfører vedlikehold av produktet.

- Levetiden til produktet øker.
- Risikoen for ulykker reduseres.

La en godkjent forhandler eller et godkjent servicesenter undersøke produktet regelmessig for å gjøre justeringer eller reparasjoner.

- Ikke bruk et produkt med skadet verneutstyr. Hvis produktet er skadet, må du kontakte et godkjent servicesenter.

## Lyddemper

Lyddemperen begrenser støynivået og sender avgassene bort fra brukeren.

Bruk ikke produktet hvis lyddemperen mangler eller er defekt. En defekt lyddemper øker støynivået og faren for brann.



**ADVARSEL:** Lyddemperen blir svært varm under og etter bruk, og når motoren går på tomgang. Vær forsiktig i nærheten av brannfarlige materialer og/eller avgasser for å unngå brann.

## Drivstoffsikkerhet



**ADVARSEL:** Les de følgende advarslene før du bruker produktet.

- Ikke start produktet hvis det er drivstoff eller motorolje på produktet. Fjern uønsket drivstoff/olje, og la produktet tørke.
- Skift klær umiddelbart hvis du søler drivstoff på klærne.
- Ikke få drivstoff på kroppen, det kan føre til personskaade. Bruk såpe og vann for å fjerne drivstoff hvis du får drivstoff på kroppen.

- Ikke start produktet hvis motoren lekker. Kontroller motoren for lekkasjer med jevne mellomrom.
- Vær forsiktig med drivstoff. Drivstoff er brannfarlig, og avgassene er eksplosive og kan forårsake personskade eller død.
- Ikke pust inn bensindamp, det kan føre til personskade. Pass på at det er tilstrekkelig luftstrøm.
- Du må ikke røyke i nærheten av drivstoff eller motoren.
- Ikke sett varme gjenstander i nærheten av drivstoff eller motoren.
- Ikke fyll på drivstoff når motoren er på.
- Kontroller at motoren er avkjølt før du fyller på drivstoff.
- Åpne tanklokket sakte og slipp ut trykket forsiktig før du fyller.
- Ikke fyll drivstoff på motoren innendørs. En utilstrekkelig luftstrøm kan føre til personskade eller dødsfall på grunn av kveling eller karbonmonoksidforgiftning.
- Trekk til drivstofflokket helt. Hvis drivstofflokket ikke er strammet, kan det utgjøre en risiko for brann.
- Flytt produktet minst 3 m (10 fot) fra stedet der du fylte tanken, før du starter det.
- Fyll ikke drivstofftanken helt opp. Varme fører til at drivstoffet utvider seg. Lad det være litt plass øverst i drivstofftanken.

### Advarsel om kjemikalier



**ADVARSEL:** Eksosen fra motoren på dette produktet inneholder kjemikalier som ifølge staten California kan forårsake kreft.

fosterskader og andre forplantningsskader. Du finner mer informasjon på [www.P65Warnings.ca.gov](http://www.P65Warnings.ca.gov).

## Sikkerhetsinstruksjoner for vedlikehold



**ADVARSEL:** Les de følgende advarslene før du bruker produktet.

- Avgassene fra motoren inneholder karbonmonoksid, som er en luktfri, giftig og svært farlig gass. Ikke start motoren innendørs eller i lukkede rom.
- Før du utfører vedlikehold på produktet, må du stoppe motoren og fjerne tenningskabelen fra tennpluggen.
- Bruk vernehansker når du utfører vedlikehold på knivene. Knivene er svært skarpe, og det er lett å kutte seg.
- Tilbehør og endringer på produktet som ikke er godkjent av produsenten, kan føre til alvorlig personskade eller død. Ikke foreta endringer av produktet. Bruk bare tilbehør som er godkjent av produsenten.
- Hvis vedlikeholdet ikke utføres riktig og regelmessig, øker faren for personskade og skade på produktet.
- Bare utfør vedlikehold som beskrevet i denne bruksanvisningen. Alt annet vedlikehold må utføres av et godkjent serviceverksted.
- La et godkjent serviceverksted utføre service på produktet regelmessig.
- Skift ut alle skadde, slitte eller ødelagte deler.

## Montering



**ADVARSEL:** Les og forstå kapittelet om sikkerhet før du monterer produktet.

### Slik monterer du håndtakene

1. Skru ut de 4 M8x25-flensboltene (A) fra maskinhuset.
2. Bruk de 4 M8x25-flensboltene (A), de 4 fjærskivene (B) og de 4 flate skivene (C).
3. Monter det nedre håndtaket (D) i de 2 hullene på hver side av maskinhuset. (Fig. 25)
4. Bruk de 3 M8x50-låseboltene for håndtaket (A), de 3 skivene (B), de 3 skruknottene (C) og de 3 låsemutterne (D).
5. Monter det øvre håndtaket med kontrollpanel (E) på det nedre håndtaket. (Fig. 26)

### Montere sjaktdeflektoren

1. Fjern rotatorskiven (B) og de 6 sekskantede flensboltene (D) fra maskinhuset.
2. Monter rotatorskiven (B) og sjaktdeflektoren (A) på sjaktsokkelen ved å bruke de 3 posisjonsstykkene (C).
3. Bruk 6 sekskantede flensbolter (D) og 6 låsemuttere (E) for å låse posisjonsstykkene (C). (Fig. 27)

### Slik monterer du sjaktrotatoren

1. Monter den fremre enden av sjaktrotatoren.
2. Monter plastfôringen (B) på den fremre enden av sjaktrotatoren.
3. Fest sjaktrotatoren med 1 flatt avstandsstykke (A) og 1 fjærpinne (C). (Fig. 28)
4. Monter den bakre enden av sjaktrotatoren.
5. Bruk 1 låsemutter M8 (A), 1 låseskrunnott i plast (B), 2 krumme skiver (C) og 1 skruholder (D) for å montere sjaktrotatoren.

6. Bruk 1 sekskantmutter M8 (E) til å feste sjakrotatoren (F) i hullene på håndtaket. (Fig. 29)

## Slik monterer du kontrollstaget for kjørehastighet

1. Monter den lange bøyde enden av kontrollstaget for kjørehastighet (A) på kontrollpanelet, og fest det med 1 tilkoblingsstangfjær (B), 1 flat skive (C) og 1 splittpinne (D). (Fig. 30)
2. Trekk opp girkoblingsplaten (B) og monter den korte bøyde enden av kontrollstaget for kjørehastighet (A). Fest kontrollstaget for kjørehastighet (A) med 1 flat skive (C) og 1 splittpinne (D). (Fig. 31)
3. Forleng kontrollstaget for kjørehastighet om nødvendig. Løsne låsemutterne på strekkfisken, og drei strekkfisken. Trekk til strekkfisken i sin

opprinnelige posisjon for å sikre riktig hastighetskontroll. Den opprinnelige posisjonen er merket på gjengene. (Fig. 32)

## Slik monterer du mateskrue- og girinnkoblingskabelen

1. Fjern de 2 kabelskruboltene (B) fra kablene (D).
2. Fest de 2 kabelskruboltene (B) til hullene på venstre og høyre håndtak (A). (Fig. 33)
3. Fest kablene (D) til kabelskruboltene (B).
4. Koble til og lås venstre og høyre kabelgjengeinnsats (D) og kabelskrubolten (B) til toppen av låsemutteren i messing (C) er på linje med merket på gjengene (E).
5. Lås kabelen med låsemutteren i messing (C).

---

## Drift

---



**ADVARSEL:** Les kapitlet om sikkerhet og bruksanvisningen før du bruker produktet, og sørg for at du forstår alt.



**OBS:** Ikke bruk bensin med et lavere oktantal enn 90 RON utenfor Nord-Amerika (87 (R+M)/2 i Nord-Amerika). Dette kan skade produktet.

## Før du starter produktet

- Hold personer og dyr unna arbeidsområdet.
- Utfør daglig ettersyn. Se *Vedlikeholdsskjema på side 278*.
- Sørg for at tenningskabelen sitter riktig på tennpluggen.
- Etterfyll olje eller bensin om nødvendig. Se *Slik fyller du motoren med olje på side 276*.

## Slik fyller du motoren med olje



**OBS:** Du må ikke rotere peilepinnen når du kontrollerer oljenivået. Ikke fyll over merket.

1. Fjern oljelokket og tørk av peilepinnen. Se *Produktoversikt på side 270* for plasseringen av peilepinnen.
2. Fyll opp med olje til det øverste merket på peilepinnen. Bruk peilepinnen til å kontrollere oljenivået med jevne mellomrom.
3. Sett lokket tilbake.

## Slik fyller du drivstoff

Bruk miljøbensin/alkylatbensin, hvis det er tilgjengelig. Hvis miljøbensin/alkylatbensin ikke er tilgjengelig, bruker du blyfri bensin av god kvalitet. Hvis du bor utenfor Nord-Amerika, må du bruke bensin med et oktantal på 90 RON (87 (R+M)/2 i Nord-Amerika) eller høyere, og med maksimalt 10 % etanol (E10).

1. Åpne drivstofflokket sakte for å slippe ut trykket.
2. Fyll langsomt med en bensinkanne. Hvis du søler drivstoff, kan du tørke det opp med en klut og la det som måtte være igjen, lufttørke.
3. Tørk rent rundt drivstofflokket.
4. Trekk til drivstofflokket helt. Hvis drivstofflokket ikke er strammet, kan det utgjøre en risiko for brann.
5. Flytt produktet minst 3 m fra stedet du fylte tanken, før du starter det.

## Justere sjaktdeflektoren

Retningen som snøen kastes i, styres med sjakrotatoren som er montert på venstre side av håndtaket.

1. Drei sjakrotatorkontrollen for å stille inn retningen snøen skal kastes i.
2. Drei sjakrotatorkontrollen med klokken for å kaste snøen mot høyre.
3. Drei sjakrotatorkontrollen mot klokken for å kaste snøen mot venstre. (Fig. 34)
4. Flytt vinkeldeflektoren opp eller ned for å justere kasteavstanden til snøen. (Fig. 35)

## Slik starter du motoren

1. Slipp opp girinnkoblingen. Sett kontrollspaken for kjørehastighet i første posisjon.
2. Sett drivstoffbryteren i posisjonen ON (PÅ). (Fig. 36)
3. Drei choken til posisjonen CLOSE (LUKKET). (Fig. 37)

- Trykk inn av/på-nøkkelen til posisjonen RUN (START). (Fig. 38)
- Trykk på primeren 1–3 ganger for å starte boosterpumpen. Bruk boosterpumpen ved kaldstart i lave temperaturer. (Fig. 39)
- Trekk i håndtaket på startsnoren. (Fig. 40)



**OBS:** Ikke slipp startsnoren for raskt inn. Flytt den sakte tilbake til startstillingen.

**Merk:** Hvis startsnoren er frosset, trekker du langsomt ut så mye av snoren som mulig og slipper håndtaket. Hvis motoren ikke starter, gjentar du prosedyren eller bruker den elektriske starteren.

- Kjør motoren i 30–40 sekunder på tomgang før du begynner å frese snøen.
- Når motoren er varm, flytter du choken langsomt til posisjonen OPEN (ÅPEN). (Fig. 41)

## Slik starter du motoren med elektrisk start



**ADVARSEL:** Produktet har en elektrisk starter på 230 volt AC. Ikke bruk den elektriske starteren hvis boligen din ikke har et forskriftsmessig jordet system på 230 volt AC. Det kan forekomme alvorlig personskade eller skade på produktet. Den elektriske starteren er utstyrt med en trepolet kontakt som tilsluttes 230 volt AC. Kontroller at boligen har et forskriftsmessig jordet system på 230 volt AC. Hvis du er usikker, kan du spørre en elektriker.

**Merk:** Bruk en skjøteledning som er anbefalt for utendørs bruk, som har en ledningsdimensjon på minst 16 AWG (1,5 mm<sup>2</sup>), og som ikke er lengre enn 15 m.

- Slipp opp girinnkoblingen. Sett kontrollspaken for kjørehastighet i første posisjon.
- Sett drivstoffbryteren i posisjonen ON (PÅ). (Fig. 36)
- Drei choken til posisjonen CLOSE (LUKKET). (Fig. 37)
- Trykk inn av/på-nøkkelen til posisjonen RUN (START). (Fig. 38)
- Trykk på primeren 1–3 ganger for å starte boosterpumpen. Bruk boosterpumpen ved kaldstart i lave temperaturer. (Fig. 39)
- Koble produktet til strøm. (Fig. 42)
- Trykk på og hold inne startknappen på kontrollboksen i 5 sekunder. (Fig. 43)
- Hvis motoren ikke starter, venter du i 5 sekunder og trykker deretter på startknappen igjen.



**OBS:** Ikke prøv å starte motoren mer enn 10 ganger. Etter 10 ganger må du vente 40 minutter før du prøver igjen.

- Koble strømledningen fra produktet når motoren har startet.
- Kjør motoren i 30–40 sekunder på tomgang før du begynner å frese snøen.
- Når motoren er varm, flytter du choken langsomt til posisjonen OPEN (ÅPEN). (Fig. 41)

## Slik bruker du produktet

- Klem inn mateskruene innkoblingen på håndtaket for å koble inn skruen og frese snø. (Fig. 44)
- Flytt kontrollspaken for kjørehastighet mot venstre for å kjøre produktet forover. Flytt kontrollspaken for kjørehastighet mot høyre for å kjøre produktet bakover. (Fig. 45)
- Betjen girinnkoblingen med det høyre håndtaket.
- Klem girinnkoblingen inn mot håndtaket for å koble inn drivhjulene. Maskinen beveger seg forover eller bakover, avhengig av posisjonen til kontrollspaken for kjørehastighet. (Fig. 46)

## Slik stopper du produktet

**Merk:** Trekk ut av/på-nøkkelen for å slå av motoren i en nødssituasjon.

- Slipp girinnkoblingen for å stoppe drivhjulene.
- Slipp mateskruene innkoblingen for å koble ut mateskruen og stoppe snøfresingen. (Fig. 47)
- Sett drivstoffbryteren i posisjonen OFF (AV). (Fig. 48)
- Trekk ut av/på-nøkkelen. (Fig. 49)

## Slik får du et godt resultat

- Du må alltid kjøre motoren på full gass eller nesten full gass.
- Tilpass alltid hastigheten til produktet etter snøforholdene, og juster hastigheten med spaken for turtallsregulering. Kontroller at produktet freser snøen jevnt.
- Det er enklere og mer effektivt å fjerne snø umiddelbart etter at den faller.
- Alltid fres snø med vinden når det er mulig.
- Hev glideplatene opptil 5–6 mm (0,2–0,25 tomm) over bakken på en flat overflate som en asfaltvei.
- Skraperstangen kan reverseres. Når den blir slitt ned nesten til kanten av huset, reverserer du den. Skift ut skraperstangen hvis den er skadet, eller hvis begge sidene er slitt.
- Ikke bruk sjaktdeflektoren hvis den er tilstoppet.
- Hvis produktet ikke går fremover på grunn av uforutsette omstendigheter, slipper du

girinnkoblingen umiddelbart eller beveger PÅ/AV-nøkkelen til posisjonen OFF (AV).

## Vedlikehold

### Vedlikeholdsskjema

Vedlikehold	Daglig	20 timer	50 timer	100 timer
Kontroller at skruer og mutre er trukket til.	X			
Kontroller motoroljenivået.	X			
Skift olje <sup>97</sup>		X	X	X
Kontroller at det ikke finnes drivstoff- eller oljelekkasjer.	X			
Fjern tilstopping og fremmedlegemer i mateskruene	X			
Inspiser dekktrykket <sup>98</sup>			X	
Inspiser og skift ut tennpluggen <sup>99</sup>				X

**Merk:** Det er ikke nødvendig å tilføre fett til eller utføre annet vedlikehold på girkassen.

### Slik utfører du en generell inspeksjon

- Sørg for at alle mutre og skruer på produktet er trukket til ordentlig.

### Slik kontrollerer du oljenivået



**OBS:** For lavt oljenivå kan forårsake alvorlige motorskader. Kontroller oljenivået før du starter produktet.

1. Sett produktet på et flatt underlag.
2. Ta av oljetankklokket med den medfølgende peilepinnen.
3. Fjern gjenværende olje fra peilepinnen.
4. Sett peilepinnen helt ned i oljetanken for å gi et korrekt bilde av oljenivået.
5. Fjern peilepinnen.
6. Kontroller oljenivået på peilepinnen.

<sup>97</sup> Skift olje etter de første 20, 50 og 100 timene, deretter hver 100. time.

<sup>98</sup> Se Tekniske data for riktig dekktrykk.

<sup>99</sup> Kontroller og rengjør tennpluggen før bruk hvert år.

7. Hvis oljenivået er lavt, fyller du på motorolje og utfører en ny kontroll av oljenivået.

### Slik skifter du motorolje

1. La motoren gå på tomgang noen minutter for å varme opp oljen. Varm olje flyter bedre og får med seg flere urenheter.



**ADVARSEL:** Motoroljen vil være varm. Unngå å få brukt motorolje i kontakt med huden.

2. Sett produktet på et flatt underlag.
3. Kjør motoren til alt drivstoffet er oppbrukt.
4. Fjern tenningsnøkkelen.
5. Sett en beholder under oljeavtappingspluggen.
6. Fjern oljeavtappingspluggen, vipp produktet bakover, og tapp den brukte oljen i beholderen. (Fig. 50)
7. Sett produktet tilbake i arbeidsstilling.
8. Sett inn oljeavtappingspluggen, og trekk den godt til for hånd.

9. Fyll motoren med olje, se *Slik fyller du motoren med olje på side 276*.

## Slik undersøker du tennpluggen



**OBS:** Bruk alltid anbefalt type tennplugg. Feil tennpluggtype kan føre til skade på produktet.

- Undersøk tennpluggen hvis motorens effekt er for lav, ikke er enkel å starte eller ikke fungerer riktig på tomgang.
- Følg disse instruksjonene for å redusere risikoen for uønsket materiale på tennpluggenes elektroder:
  - a) Pass på at tomgangsturtallet er riktig justert.
  - b) Kontroller at drivstofftypen er riktig.
  - c) Kontroller at luftfilteret er rent.
- Hvis tennpluggen er skitten, må du rengjøre den og samtidig kontrollere at elektrodeavstanden er riktig. Se *Tekniske data på side 283*. (Fig. 51)
- Skift tennpluggen når det er nødvendig.

## Slik inspiserer du mateskruene og skraperstangen

1. Før hver bruk må du inspisere mateskruene og skraperstangen for slitasje.
2. Hvis kanten på skraperstangen er slitt, tar du skraperstangen bak fram. Hvis skraperstangen har skader eller er slitt på begge endene, må du bytte den ut.
3. Hvis kantene på mateskruene er slitt, må du kontakte et autorisert servicesenter for å bytte dem ut.

## Slik justerer du glideplatene

Glideplatene forhindrer skade på bunnen av snøfreseren. Juster glideplatene (A) når låsemutteren (B) er løs, eller glideplaten ikke befinner seg i riktig avstand fra bakken. Det er ikke nødvendig med justeringer for standardmontering.

1. Løsne låsemutteren (B) med en åpen skrunøkkel på 13 mm (1/2 tommer).
2. Flytt glideplatene (A) opp eller ned.
  - a) På plane overflater angir du avstanden mellom skraperstangen og bakken til 5–6 mm (0,2–0,25 tommer).
  - b) På ujevne overflater, setter du glideplatene (A) i en posisjon hvor skraperstangen er over øverste punkt på bakken.



**ADVARSEL:** Kontroller at grus og stein ikke kommer inn i produktet. Gjenstander som kastes ut i høy hastighet kan føre til skade.

3. Stram til låsemutteren (B). (Fig. 52)

## Slik skifter du skjærebolten

Skjærebolten beskytter produktet mot skade. Den brytes hvis et fremmedlegeme kommer inn i de bevegelige delene.

1. Hvis skjærebolten brytes, må du stoppe motoren.
2. Monter en ny skjærebolt (A) og en ny fjærpinne (B). (Fig. 53)

## Slik undersøker du dekkene

- Hold dekkene fri for drivstoff, olje og kjemikalier for å hindre skader på gummien.
- Hold dekkene unna stubber, steiner, røtter, skarpe gjenstander eller andre gjenstander som kan skade dekkene.
- Ha riktig trykk i dekkene, se *Tekniske data på side 283*.

## Slik rengjør du en tilstoppet utkastertsjaktdeflektor

Ikke rens utkastertsjaktdeflektoren før følgende handlinger er utført.

1. Løsne mateskrueneinnkoblingen og girinnkobling samtidig.
2. Vent i 10 sekunder for å være sikker på at mateskruene har stoppet.
3. Slå av produktet.
4. Bruk rengjøringsverktøyet (minst 37 cm (5 tommer) langt, følger med enkelte modeller) for å fjerne det tilstoppede materialet.



**ADVARSEL:** Du må ikke stikke hendene inn i utkastertsjaktdeflektoren eller i mateskrueskuffen.

## Slik rengjør du produktet

- Rengjør plastdeler med en tørr, ren klut.
- Produktet må ikke rengjøres med høytrykksspyler.
- Ikke spyl vann direkte på motoren.
- Bruk en børste for å fjerne løv, gress og smuss.

## Feilsøking

### Feilsøking

Problem	Mulig årsak	Løsning
Produktet starter ikke	Tenningsnøkkelen er ikke satt inn.	Sett inn tenningsnøkkelen.
	Produktet er tomt for drivstoff.	Fyll tanken med ny, ren bensin.
	AV/PÅ-nøkkelen er satt til OFF (AV).	Sett AV/PÅ-nøkkelen i posisjonen ON (PÅ).
	Choken står i posisjonen OFF (LUKKET).	Flytt choken til posisjonen ON (HELT ÅPEN).
	Primeren er ikke trykket inn.	Trykk på primeren.
	Motoren er «oversvømt».	Vent noen minutter før du starter på nytt, IKKE bruk primeren.  Start motoren på nytt mens du har full gass og choken er i posisjonen OFF (LUKKET).
	Tennpluggkabelen er ikke tilkoblet.	Koble kabelen til tennpluggen.
	Tennpluggen er defekt.	Skift tennplugg.
	Det er vann i drivstoffet, eller drivstoffet er for gammelt.	Tøm drivstofftanken og forgasseren. Fyll tanken med ny, ren bensin.
	Det er damp i drivstoffledningen.	Kontroller at hele drivstofflinjen er under utløpet fra drivstofftanken. Det skal være kontinuerlig fall i drivstofflinjen fra tanken til forgasseren.
	Andre årsaker.	Inspiser startprosedyrene i denne håndboken nøye.
	Drivstoffbryteren (hvis utstyrt) er i posisjonen CLOSE (LUKKET/AV).	Sett drivstoffbryteren i posisjonen OPEN (ÅPEN/PÅ).
Gassen er i posisjonen STOP.	Flytt gasskontrollen til posisjonen FAST (HURTIG).	



<b>Problem</b>	<b>Mulig årsak</b>	<b>Løsning</b>
Redusert effekt	Tennpluggkabelen er ikke tilkoblet.	Koble kabelen til tennpluggen.
	Produktet freser for mye snø.	Reduser hastigheten og bredden på sveipet.
	Lokket på drivstofftanken er dekket med is eller snø.	Fjern isen og snøen fra lokket på drivstofftanken og området rundt lokket.
	Lyddemperen er skitten eller tilstoppet.	Rengjør eller skift lyddemperen.
	Feil kabellengde.	Juster kabelen.
	Lyddemperen er blokkert.	Kontroller at motoren er kald. Fjern blokkeringen.
	Luftinntaket til forgasseren er blokkert.	Kontroller at motoren er kald. Fjern blokkeringen.
Motoren går ujevnt på tomgang eller i drift	Choken er i posisjonen ON (FULL/ÅPEN).	Flytt choken til posisjonen OFF (LUK-KET).
	Drivstofflinjen er blokkert.	Rengjør drivstofflinjen.
	Det er vann i drivstoffet, eller drivstoffet er for gammelt.	Tøm drivstofftanken og forgasseren. Fyll tanken med ny, ren bensin.
	Forgasseren må byttes ut.	Kontakt et autorisert servicesenter.
	Reima er strukket.	Skift v-reima til mateskruen.
Mye vibrasjon / bevegelse i håndtaket	Noen deler er løse. Mateskruene er skadet.	Trekk til alle festemidler. Skift ut alle skadde deler. Hvis vibrasjonen vedvarer, kontakt autorisert servicesenter.
	Håndtakene er ikke i riktig stilling.	Pass på at håndtakene er låst i stillingene sine.
	Mutrene på justeringsspaken er løse.	Trekk til mutrene til håndtaket kjennes trygt ut.
Det er vanskelig å trekke i håndtaket på startsnoren	Håndtaket til startsnoren er frosset.	Trekk langsomt ut så mye av startsnoren som mulig, og slipp håndtaket. Hvis motoren ikke starter, gjentar du prosedyren eller bruker den elektriske starteren.
	Startsnoren kommer i kontakt med andre komponenter.	Startsnoren må ikke berøre noen ledninger eller slanger.

Problem	Mulig årsak	Løsning
Tap av trekraft / reduksjon av kjørehastighet	Reima glipper.	Juster kabelen. Juster reima.
	Reima er slitt.	Kontroller / skift ut reima.
Manglende eller redusert snøutkast	Reima er av reimskiven.	Kontroller / sett reima på plass.
	Sjaktdeflektoren er tilstoppet.	Rengjør sjaktdeflektoren.
	Fremmedlegemer tilstopper mateskruene.	Fjern smuss eller fremmedlegemer fra mateskruene.
	Skjærebolten er ødelagt.	Skift ut den ødelagte skjærebolten.
	Mye snø og is har festet seg mellom beltekomponentene.	Fjern snø og is som har festet seg mellom beltekomponentene.
	Friksjonsdrivhjulet er slitt.	Kontakt et autorisert servicesenter.
	Feil på rotasjonen av mateskruen etter at håndtaket slippes	Drivreima er ikke justert.
Tømmedeflektoren er ikke justert.		Juster tømmedeflektoren.
Lysene kommer ikke på (hvis utstyrt)	Motoren går ikke.	Start motoren.
	Kabeltilkoblingen er løs.	Kontroller kabeltilkoblingene på motoren og lysene.
	LED-lampen er brukt opp.	Skift LED-lampemodulen. Enkelte LED-lamper kan ikke byttes ut.
Kanalsjakten er vanskelig å flytte	Det er rester i mekanismen til sjaktrotatoren.	Rengjør sjaktrotatormekanismen innvendig.
	Kablene er knekt eller skadet.	Kontroller at kablene ikke er knekt. Skift ut kablene som er skadet.
Produktet svinger til den ene siden	Dekktrykket er ikke likt.	Juster dekktrykket, og fyll dekket.
	Produktet kjører bare med ett hjul.	Inspiser låsepinnen til dekket.
	Ujevn sledejustering.	Juster glideplatene og sleden.
	Ujevn glideplatejustering.	Juster glideplatene og sleden.

## Transport, oppbevaring og avhending

### Transport og oppbevaring

- Før oppbevaring og transport av produktet og drivstoff, må du kontrollere at det ikke finnes lekkasjer eller gasser. Gnister eller åpen ild, for eksempel fra elektriske apparater eller varmekjeler, kan starte en brann.
- Bruk alltid godkjente beholdere for oppbevaring og transport av drivstoff.
- Tøm drivstofftanken før du setter produktet til oppbevaring over en lengre periode.
- Hvis forgasseren har en avtappingsplugg, må du tømme drivstoffet fra forgasseren før du setter produktet på lager over lengre tid.

- Sørg for sikkert feste av produktet under transport for å unngå skader og ulykker.
- Oppbevar produktet på et låst sted for å hindre tilgang for barn eller personer som ikke er godkjent.
- Oppbevar produktet på et tørt og frostfritt sted.

### Kassering

- Følg lokale bestemmelser og gjeldende regelverk.
- Kast alle kjemikalier, for eksempel motorolje eller drivstoff, på et servicesenter eller en returstasjon.
- Kast produktet på et godkjent avfallsmottak, eller send det til Husqvarna for kassering.

## Tekniske data

### Tekniske data

	ST 124
<b>Dimensjoner</b>	
Vekt med tomme tanker, kg	76
Maksimalt dekktrykk under drift, PSI	20
Inntakshøyde, cm	53,3
Arbeidsbredde, cm	61
<b>Motor</b>	
Merke	Husqvarna
Nominell motoreffekt, kW	4,3
Sylindervolum, cc	212
Drivstofftype	Blyfri, vanlig (maksimalt 10 % etanol)
Drivstoffkapasitet, gal/L	0,58/2,2
Oljetype (API SJ-SN)	SAE 5W30 (under 0 °C (32 °F))
Oljekapasitet fl. oz. / L	20/0,6
<b>Elektrisk system</b>	
Tennplugg	F7RTC
Elektrodeavstand i tennpluggen, (tommer/mm)	0,027–0,031/0,7–0,8
<b>Støyutslipp</b> <sup>100</sup>	
Lydeffektnivå, målt dB(A)	100
Lydeffektnivå, garantert L <sub>WA</sub> dB(A)	102
<b>Lydnivåer</b> <sup>101</sup>	
Lydtrykknivå ved brukerens øre, målt L <sub>PA</sub> dB(A)	86
<b>Vibrasjonsnivåer, a<sub>hveq</sub></b> <sup>102</sup>	
Vibrasjonsnivå på håndtaket, venstre/høyre	4,15/4,08

<sup>100</sup> Utslipp av støy til omgivelsene målt som lydeffekt (L<sub>WA</sub>) samsvarer med EU-direktivene 2000/14/EF og 2005/88/EF. Rapporterte data for utslipp av støy for maskinen har en typisk statistisk spredning (standardavvik) på 1,5 dB(A). Usikkerhet = 1,5 dB(A)

<sup>101</sup> Lydtrykknivå i henhold til EN ISO 11201. Rapporterte data for ekvivalent lydtrykknivå for maskinen har en typisk statistisk spredning (standard avvik) på 1,5 dB (A). Usikkerhet = 1,5 dB(A)

<sup>102</sup> Vibrasjonsnivå i henhold til ISO 8437-4, tillegg B. Usikkerhet = 1,5 m/s<sup>2</sup>

---

## EF-samsvarserklæring

---

### INNHALDET I EF-SAMSVARSERKLÆRINGEN

Vi, Husqvarna AB, SE-561 82 Huskvarna, SVERIGE, erklærer under eneansvar at dette produktet:

Beskrivelse	Snøfreser
Merke	Husqvarna
Plattform/type/modell	ST 124
Parti	Serienummer datert 2020 og senere

fullstendig overholder følgende EU-direktiver og -forskrifter:

Direktiv/regulering	Beskrivelse
2006/42/EF	«angående maskiner»
2014/30/EU	«angående elektromagnetisk kompatibilitet»
2000/14/EF, 2005/88/EF	«angående utendørsstøy»
2011/65/EU	«angående begrensning av bruken av bestemte farlige stoffer»

Harmoniserte standarder og/eller tekniske spesifikasjoner anvendt er som følger: EN ISO 12100:2010, EN ISO 14982:2009, ISO 8437-1:2019, ISO 8437-2:2019, ISO 8437-4:2019, ISO 3744:1995, EN 1032:2003+A1:2008, EN 50581:2012

I samsvar med direktiv 2000/14/EF + 2005/88/EF, tillegg V, står de oppgitte lydverdiene oppført i kapittelet om tekniske data i denne håndboken og i den signerte EU-samsvarserklæringen.

Den medfølgende snøfreseren er i samsvar med det eksemplaret som undergikk undersøkelsen.

På vegne av Husqvarna AB, SE-561 82 Huskvarna, SVERIGE, 2020-02-07



Claes Losdal

Personen som er ansvarlig for å utarbeide de tekniske filene som er etablert innenfor EU

---

# SPIS TREŚCI

---

Wstęp.....	285	Rozwiązywanie problemów.....	296
Bezpieczeństwo.....	286	Transport, przechowywanie i utylizacja.....	298
Montaż.....	291	Dane techniczne.....	299
Przeznaczenie.....	292	Deklaracja zgodności WE.....	301
Przegląd.....	294		

---

## Wstęp

---

### Przegląd produktu

(Rys. 1)

1. Włączanie ślimaka
2. Dźwignia sterowania prędkością napędu
3. Panel sterowania
4. Linka ślimaka
5. Pokrętko rotatora rynny
6. Osłona rynny
7. Narzędzie czyszczące
8. Osłona ślimaka
9. Ślimaki
10. Tarcza osłaniająca
11. Opona
12. Wlew oleju
13. Silnik
14. Uchwyt dolny
15. Drażek regulacji obrotów napędu
16. Linka napędowa
17. Uchwyt do rozruchu linką startową
18. Włączanie napędu
19. Uchwyty
20. Pompka paliwa
21. Ssanie
22. Przełącznik paliwa
23. Kluczyk wł./wyt.
24. Podręcznik użytkownika

### Opis produktu

Produkt to piług odśnieżny wirnikowy, który służy do usuwania śniegu z podłoża.

### Przeznaczenie

Produkt ten może być stosowany do usuwania śniegu z pól, dróg, chodników i dojazdów. Nie należy używać go na pochyłościach terenu przekraczających 15°. Nie należy używać produktu w miejscach, w których występuje dużo zanieczyszczeń, pył i wystające kamienie.

### Symbols on the product

---

**Uwaga:** If the decals on the product are damaged, contact the distributor to replace them.

---

- (Rys. 2) Warning.
- (Rys. 3) Read the operator's manual.
- (Rys. 4)
- (Rys. 5) Hot surface.
- (Rys. 6) Risk of fire.
- (Rys. 7) Choke.
- (Rys. 8) Pull starter rope handle.
- (Rys. 9) Do not breathe in the exhaust fumes from the engine.
- (Rys. 10) Do not put any part of the body into the chute deflector or the auger housing when the augers rotate.
- (Rys. 11) Stop the engine before you remove snow from the chute deflector. Use the clean-out tool to remove snow, do not do it by hand.
- (Rys. 12)
- (Rys. 11) Keep hands away from the chute deflector.
- (Rys. 13) Objects can be ejected from the product.
- (Rys. 14) Keep bystanders away from the product when operating.
- (Rys. 15) Remove key before maintenance.
- (Rys. 16) Push in the on/off key to the RUN position.
- (Rys. 17) Turn the fuel switch to the ON position.
- (Rys. 18) Push the primer.
- (Rys. 19) Risk of falling.

- (Rys. 20) Move slowly rearward.
- (Rys. 21) Use approved protective gloves.
- (Rys. 22) Use a protective helmet. Use approved hearing protection. Use approved eye protection.
- (Rys. 23) Noise emissions to the environment according to European Directive 2000/14/EC and New South Wales legislation "Protection of the Environment Operations (Noise Control) Regulation 2017". Noise emission data can be found on the machine label and in the Technical data chapter.
- (Rys. 24) European machinery directive for safety.

**Uwaga:** Other symbols/decals on the product refer to certification requirements for some markets.

## Emisje Euro V



**OSTRZEŻENIE:** Ingerencja w silnik powoduje unieważnienie europejskiego zatwierdzenia typu produktu.

## Bezpieczeństwo

### Definicje dotyczące bezpieczeństwa

Poniższe definicje nadają poziom znaczenia każdemu słowu sygnałowemu.



**OSTRZEŻENIE:** Obrażenia osób.



**UWAGA:** Uszkodzenie produktu.

**Uwaga:** Ta informacja ułatwia używanie maszyny.

### Zasady bezpiecznej obsługi pługa odśnieżnego wirnikowego obsługiwane przez operatora pieszego

#### Informacje ogólne

To urządzenie stwarza niebezpieczeństwo obciążenia rąk i stóp oraz może wyrzucać w powietrze przedmioty. Brak przestrzegania poniższych instrukcji bezpieczeństwa może prowadzić do poważnych obrażeń.

#### Szkolenie

- Przed przystąpieniem do pracy należy przeczytać i zapoznać się ze wszystkimi instrukcjami dotyczącymi urządzenia. Należy dobrze poznać

## Producent

Husqvarna AB

Drottninggatan 2, SE-561 82 Huskvarna

## Odpowiedzialność za produkt

Zgodnie z przepisami dotyczącymi odpowiedzialności za produkt nie ponosimy odpowiedzialności za szkody spowodowane przez nasz produkt, jeśli:

- produkt jest nieprawidłowo naprawiany.
- produkt jest naprawiany przy użyciu części nie pochodzących od producenta lub niezatwierdzonych przez producenta.
- produkt jest wyposażony w akcesoria nie pochodzące od producenta lub niezatwierdzone przez producenta.
- produkt nie jest naprawiany w autoryzowanym centrum serwisowym lub przez autoryzowaną placówkę.

zasady pracy i obsługi urządzenia. Należy poznać zasady szybkiego wyłączenia urządzenia i elementów sterowania.

- Nigdy nie pozwalaj dzieciom obsługiwać urządzenia. Osoby dorosłe mogą obsługiwać urządzenie po odpowiednim przeszkoleniu.
- W obszarze pracy nie mogą przebywać osoby postronne, a w szczególności małe dzieci.
- Zachować szczególną ostrożność, aby się nie poślizgnąć ani nie upaść, szczególnie podczas cofania pługiem.

#### Przygotowanie

- Należy dokładnie sprawdzić miejsce, w którym urządzenie będzie używane i usunąć wycieraczki, sanki, deski, druty i inne przedmioty.
- Przed uruchomieniem silnika (także elektrycznego) należy odłączyć wszystkie sprzęgła, a biegi ustawić w położeniu neutralnym.
- Nie używać maszyny bez odpowiedniej zimowej odzieży. Należy unikać noszenia luźnych ubrań, które mogą dostać się w ruchome części urządzenia. Nosić obuwie, które zapewnia dobrą przyczepność na śliskich powierzchniach.
- W czasie pracy, regulacji lub napraw należy zawsze stosować okulary ochronne lub podobne środki ochrony oczu w celu ochrony wzroku przed ciałami obcymi, które mogą być wyrzucane przez urządzenie.
- Ostrożnie obchodzić się z paliwem - ryzyko pożaru.
  - Stosować atestowany kanister.

- Nigdy nie dolewać paliwa, gdy silnik pracuje lub jest gorący.
- Paliwo należy dolewać na otwartym powietrzu, zachowując przy tym należyłą ostrożność. Zabrania się tankowania w pomieszczeniach zamkniętych.
- Zbiorników paliwa nigdy nie należy tankować wewnątrz samochodu osobowego, ani na pace samochodu ciężarowego lub na przyczepie, których dno jest wyłożone tworzywem sztucznym. W celu napełnienia, kanistry należy zawsze stawiać na ziemi, z dala od pojazdu.
- Jeśli to praktycznie możliwe, urządzenia napędzane paliwem należy zdjąć z pojazdu i zatankować na ziemi. Jeśli nie jest to możliwe, urządzenia takie należy tankować na przyczepie za pomocą kanistra (należy unikać tankowania bezpośrednio z dyszy węża paliwowego).
- Dysza węża paliwowego przez cały czas tankowania powinna dotykać brzegu zbiornika paliwa lub kanistra. Nie używaj urządzenia do blokowania/otwierania pistoletu.
- Po zakończeniu tankowania dobrze dokręcić korek wlewu paliwa i wytrzeć rozlane paliwo.
- W przypadku rozlania paliwa na ubranie natychmiast je zmień.
- W przypadku wszystkich urządzeń z elektrycznymi silnikami rozruchowymi należy stosować przedłużacze zalecane przez producenta.
- Wyregulować wysokość obudowy kosza tak, aby nie dotykała ona nawierzchni żwirowych lub pokruszonych nawierzchni kamiennych.
- Nigdy nie dokonywać żadnych regulacji, gdy silnik elektryczny (spalinowy) jest w ruchu (za wyjątkiem sytuacji zalecanych przez producenta).

### Przeznaczenie

- Nie zbliżać rąk ani nóg do obrotowych części produktu. Przez cały czas zachowuj bezpieczną odległość od otworu wyrzutowego.
- Zachować szczególną ostrożność podczas pracy na pojazdach lub drogach wyspanych żwirem. Należy zwracać uwagę na ukryte zagrożenia oraz zachować ostrożność podczas pracy w pobliżu dróg publicznych.
- Po uderzeniu w obcy przedmiot należy wyłączyć silnik, odłączyć kabel świecy zapłonowej (w przypadku urządzeń z silnikiem elektrycznym odłączyć przewód biegnący do silnika) oraz dokładnie sprawdzić, czy pług odśnieżny wirnikowy nie został uszkodzony. W razie potrzeby należy naprawić uszkodzenie przed wznowieniem pracy.
- Jeśli maszyna wibruje w nienaturalny sposób, należy wyłączyć silnik i natychmiast ustalić przyczynę drgań. Wibracje są zazwyczaj sygnałem nieprawidłowej pracy.
- Wyłączyć silnik w razie konieczności odejścia od urządzenia, przed przeczyszczeniem obudowy kosza/wirnika lub rynny zsypowej oraz podczas dokonywania napraw, regulacji lub przeglądów.

- Silnika nie należy uruchamiać w pomieszczeniach, z wyjątkiem parkowania pługa odśnieżnego wirnikowego w budynku lub wyprowadzania go na zewnątrz. Otworzyć drzwi zewnętrzne; gazy spalinowe są niebezpieczne.
- Zachować szczególną ostrożność podczas pracy na pochyłych powierzchniach.
- Nigdy nie korzystać z maszyny bez założonych osłon i innych elementów zabezpieczających.
- Wylotu nigdy nie należy kierować w stronę ludzi lub miejsc, w których może dojść do uszkodzenia mienia. Do pracującego urządzenia nie powinny zbliżać się dzieci ani osoby postronne.
- Nie przeciążać urządzenia poprzez zbyt szybkie usuwanie śniegu.
- Nigdy nie przejeżdżać urządzeniem ze zbyt dużą prędkością przez śliskie powierzchnie. Podczas pracy należy patrzeć za siebie i ostrożnie cofać się.
- Podczas transportu oraz gdy maszyna nie jest użytkowana, należy odłączać zasilanie kosza/wirnika.
- Należy używać wyłącznie osprzętu i akcesoriów zatwierdzonych przez producenta maszyny (takich jak obciążniki kół, przeciwcieżary lub kabiny).
- Nie używać maszyny przy słabej widoczności lub bez oświetlenia. Zawsze dobrze stawiać kroki i mocno trzymać urządzenie za uchwyt. Nie wolno biegać.
- Nigdy nie dotykać rozgrzanego silnika lub tłumika.

### Czyszczenie zatłakanej rynny zsypowej

- Dotykanie rękoma obracającego się wirnika wewnątrz rynny zsypowej jest najczęstszą przyczyną obrażeń spowodowanych przez pługi odśnieżne wirnikowe. Rynny wylotowej nigdy nie należy czyścić ręcznie.
- Aby wyczyścić rynnę:
  1. WYŁĄCZYĆ SILNIK!
  2. Odczekać 10 sekund aż łopatki wirnika przestaną się obracać.
  3. Należy zawsze używać narzędzia do czyszczenia, a nie rąk.

### Konserwacja i przechowywanie

- W celu zapewnienia bezpiecznej eksploatacji sprzętu należy często sprawdzać, czy śruby ścinające i inne śruby są prawidłowo dokręcone.
- Nigdy nie przechowywać maszyny ze zbiornikiem wypełnionym paliwem wewnątrz budynku, w którym znajdują się źródła zapłonu, takie jak podgrzewacze wody, grzejniki lub suszarki do ubrań. Przed przechowaniem należy zatrzymać silnik oraz poczekać aż ostygnie.
- Jeśli pług odśnieżny wirnikowy ma być przechowywany przez dłuższy czas, należy przeczytać instrukcję obsługi, aby zapoznać się z ważnymi informacjami.
- Dbać o dobry stan lub, w razie konieczności, wymieniać oznaczenia dotyczące bezpieczeństwa.

- Uruchomić maszynę po kilku minutach od wyrzucenia śniegu, aby zapobiec zamarznięciu kosza/wirnika.
- Podczas czyszczenia, dokonywania napraw lub przeglądów pługa odśnieżnego wirnikowego należy wyłączyć silnik i sprawdzić, czy kosz/wirnik i wszystkie ruchome części się zatrzymały. Odłączyć wszystkie świecy zapłonowej i odłożyć z dala od świecy, co pozwoli uniknąć przypadkowego uruchomienia silnika.
- Podczas używania maszyny silnik wytwarza pole elektromagnetyczne. Może ono spowodować uszkodzenie implantów medycznych. Przed użyciem produktu należy skontaktować się z lekarzem oraz producentem implantu medycznego.
- Nie pozwalać dzieciom używać maszyny. Nie pozwalać osobom nieznanym instrukcji używać produktu.
- Należy zawsze kontrolować osobę o ograniczonych możliwościach fizycznych lub umysłowych podczas używania produktu. Zawsze musi jej towarzyszyć odpowiedzialna osoba dorosła.

## Ogólne zasady bezpieczeństwa

- Należy prawidłowo używać maszyny. Nieprawidłowe używanie grozi obrażeniami lub śmiercią. Maszynę należy używać wyłącznie do zadań opisanych w niniejszej instrukcji. Nie używać produktu do innych zadań.
- Przestrzegać informacji zawartych w niniejszej instrukcji. Stosować się do symboli i zasad bezpieczeństwa. W przypadku nieprzestrzegania instrukcji i symboli istnieje ryzyko wystąpienia obrażeń, uszkodzeń lub śmierci.
- Nie wolno wyrzucać tej instrukcji. Należy stosować się do instrukcji montażu, obsługi i konserwacji produktu. Należy stosować się do instrukcji montażu osprzętu i akcesoriów. Stosować wyłącznie zatwierdzony osprzęt i akcesoria.
- Nie wolno używać uszkodzonego produktu. Przestrzegać planu konserwacji. Przeprowadzać wyłącznie te prace konserwacyjne, które są opisane w tej instrukcji. Wszystkie inne prace konserwacyjne muszą być wykonywane przez autoryzowane centrum serwisowe.
- Niniejsza instrukcja nie obejmuje wszystkich sytuacji, które mogą wystąpić podczas używania produktu. Należy zachować ostrożność i kierować się zdrowym rozsądkiem. Nie wolno obsługiwać produktu lub wykonywać prac konserwacyjnych w przypadku braku pewności co do danej sytuacji. Skontaktować się ze specjalistą ds. produktu, dealerem, warsztatem obsługi technicznej lub autoryzowanym centrum serwisowym w celu uzyskania informacji.
- Przed przystąpieniem do montażu lub konserwacji oraz na czas długiego przechowywania maszyny odłączyć świecę zapłonową.
- Nie używać produktu w przypadku zmiany jego początkowych specyfikacji. Nie wymieniać części maszyny bez zgody producenta. Używać wyłącznie części zatwierdzonych przez producenta. Nieprawidłowa konserwacja może doprowadzić do obrażeń lub śmierci.
- Nie wdychać spalin z silnika. Długotrwałe wdychanie spalin silnika stanowi zagrożenie dla zdrowia.
- Nigdy nie włączać urządzenia w pomieszczeniach zamkniętych lub w pobliżu materiałów łatwopalnych. Spaliny mają wysoką temperaturę, a ponadto mogą wraz z nimi wydostawać się iskry, dlatego stanowią zagrożenie pożarowe. Niewystarczający przepływ powietrza może doprowadzić do obrażeń lub śmierci na skutek uduszenia lub zatrucia tlenkiem węgla.
- Przechowywać maszynę w miejscu niedostępnym dla dzieci i nieuprawnionych osób.
- Maszyna może wyrzucać przedmioty i powodować obrażenia. Należy przestrzegać zasad bezpieczeństwa, aby zmniejszyć ryzyko odniesienia obrażeń lub śmierci.
- Nie odchodzić od maszyny podczas pracy silnika.
- Operator maszyny jest odpowiedzialny za ewentualne wypadki.
- Przed ruszeniem do tyłu i podczas jazdy wstecz spojrzeć do tyłu i sprawdzić, czy nie ma tam małych dzieci, zwierząt lub innych obiektów, które mogą doprowadzić do upadku.
- Przed przystąpieniem do używania produktu upewnić się, że części nie są uszkodzone.
- Zachować odległość co najmniej 15 m (50 stóp) od innych osób lub zwierząt przed przystąpieniem do używania maszyny. Powiadomić osoby przebywające w pobliżu o zamiarze używania maszyny.
- Stosować się do przepisów krajowych lub lokalnych. Mogą one zabraniać lub ograniczać używanie produktu w niektórych sytuacjach.

## Szkolenie

- Przed przystąpieniem do pracy należy przeczytać i zapoznać się ze wszystkimi instrukcjami dotyczącymi urządzenia. Należy dobrze poznać zasady pracy i obsługi urządzenia. Należy poznać zasady szybkiego wyłączania urządzenia i elementów sterowania.
- Używanie urządzenia przez dzieci jest zabronione. Osoby dorosłe mogą obsługiwać urządzenie po odpowiednim przeszkoleniu.
- W obszarze pracy nie mogą przebywać osoby postronne, a w szczególności małe dzieci.
- Uważać, aby się nie poślizgnąć lub upaść, szczególnie podczas cofania odśnieżarką.

## Instrukcje bezpieczeństwa dotyczące obsługi

- Nie zbliżać rąk ani nóg do obrotowych części produktu. Przez cały czas zachowuj bezpieczną odległość od otworu wyrzutowego.



- Zachować szczególną ostrożność podczas pracy na podjazdach, chodnikach lub drogach wysypanych żwirem. Uważać na ukryte zagrożenia i ruch uliczny.
- Po uderzeniu o obcy obiekt należy wyłączyć silnik, odłączyć kabel świecy zapłonowej (w przypadku urządzeń z silnikiem elektrycznym odłączyć przewód biegnący do silnika) oraz sprawdzić, czy produkt nie został uszkodzony. W razie potrzeby należy naprawić uszkodzenie przed wznowieniem pracy.
- Jeśli urządzenie wibruje w nienaturalny sposób, należy wyłączyć silnik i natychmiast ustalić przyczynę. Wibracje są zazwyczaj sygnałem nieprawidłowej pracy.
- Wyłączać silnik w razie konieczności odejścia od urządzenia, przed przeczyszczeniem obudowy ślimaka lub deflektora rywny oraz podczas dokonywania napraw, regulacji lub przeglądów.
- Podczas czyszczenia, dokonywania napraw lub przeglądów maszyny należy wyłączyć silnik i sprawdzić, czy ślimak i wszystkie ruchome części zatrzymały się. Odłączyć przewód świecy zapłonowej i odłożyć z dala od świecy, co pozwoli uniknąć przypadkowego uruchomienia silnika.
- Silnika nie należy uruchamiać w pomieszczeniach, za wyjątkiem parkowania maszyny w budynku lub wyprowadzania jej na zewnątrz. Otworzyć drzwi zewnętrzne; gazy spalinowe są niebezpieczne.
- Zachować szczególną ostrożność podczas pracy na pochylonych powierzchniach.
- Nigdy nie korzystać z produktu bez założonych osłon i innych elementów zabezpieczających.
- Wylotu deflektora rywny nigdy nie należy kierować w stronę ludzi lub miejsc, w których może dojść do uszkodzenia mienia. Do pracującego urządzenia nie powinny zbliżać się dzieci ani osoby postronne.
- Nie przeciążać produktu poprzez zbyt szybkie usuwanie śniegu.
- Nigdy nie przejeżdżać produktem ze zbyt dużą prędkością po śliskiej powierzchni. Podczas pracy należy patrzeć za siebie i ostrożnie cofać się.
- Podczas transportu oraz gdy produkt nie jest w użyciu, odłączać napęd ślimaka.
- Używać wyłącznie osprzętu i akcesoriów zatwierdzonych przez producenta (takich jak obciążniki kół, przeciwwagi lub kabiny).
- Nie używać produktu przy słabej widoczności lub bez oświetlenia. Zawsze dobrze stawiwać kroki i mocno trzymać urządzenie za uchwyt. Nie wolno biegać.
- Nigdy nie dotykać rozgrzanego silnika lub tłumika.
- Nie używać produktu bez odpowiedniej zimowej odzieży. Należy unikać noszenia luźnych ubrań, które mogą dostać się w ruchome części urządzenia. Nosić obuwie, które zapewnia dobrą przyczepność na śliskich powierzchniach.
- Ostrożnie obchodzić się z paliwem - ryzyko pożaru.
  - Stosować atestowany kanister.
  - Nigdy nie dolewać paliwa, gdy silnik pracuje lub jest gorący.
  - Paliwo należy dolewać na otwartym powietrzu, zachowując przy tym należyłą ostrożność. Zabrać się tankowania w pomieszczeniach zamkniętych.
  - Zbiorników paliwa nigdy nie należy tankować wewnątrz samochodu osobowego, ani na pace samochodu ciężarowego lub na przyczepie, których dno jest wyłożone tworzywem sztucznym. W celu napełnienia, kanistry należy zawsze stawiać na ziemi, z dala od pojazdu.
  - Jeśli to praktycznie możliwe, urządzenia napędzane paliwem należy zdjąć z pojazdu i zatankować na ziemi. Jeśli nie jest to możliwe, urządzenia takie należy tankować na przyczepie za pomocą kanistra (należy unikać tankowania bezpośrednio z dyszy węża paliwowego).
  - Dysza węża paliwowego przez cały czas tankowania powinna dotykać brzegu zbiornika paliwa lub kanistra. Nie używaj urządzenia do blokowania/otwierania pistoletu.
  - Po zakończeniu tankowania dobrze dokręcić korek wlewu paliwa i wytrzeć rozlane paliwo.
  - W przypadku rozlania paliwa na ubranie natychmiast je zmień.
- Dla wszystkich urządzeń z elektrycznymi silnikami napędowymi lub elektrycznymi silnikami rozruchowymi należy stosować przedłużacze zalecane przez producenta.
- Wyregulować wysokość obudowy ślimaka, tak aby nie dotykała ona nawierzchni zwierowych lub pokruszonych nawierzchni kamiennych.
- Nigdy nie dokonywać żadnych regulacji, gdy silnik spalinowy (elektryczny) jest w ruchu (za wyjątkiem sytuacji zalecanych przez producenta).
- W czasie pracy, regulacji lub napraw należy zawsze stosować okulary ochronne lub podobne środki ochrony oczu w celu ochrony wzroku przed ciałami obcymi, które mogą być wyrzucane przez urządzenie.

## Środki ochrony osobistej

Zawsze należy stosować prawidłowe środki ochrony osobistej podczas używania produktu. Obejmuje to co najmniej solidne obuwie, ochronę oczu i ochronę słuchu. Środki ochrony osobistej nie eliminują ryzyka odniesienia obrażeń, jednak w razie wypadku ograniczają ich skutki.

## Bezpieczeństwo miejsca pracy

- Należy dokładnie sprawdzić miejsce, w którym urządzenie będzie używane i usunąć wycieraczki, sanki, deski, druty i inne objekty.
- Przed uruchomieniem silnika (także elektrycznego) należy odłączyć wszystkie sprzęgła, a biegi ustawić w położeniu neutralnym.

- W czasie pracy, konserwacji i napraw należy zawsze stosować okulary ochronne lub inne środki ochrony oczu.
- Podczas obsługi produktu należy zawsze nosić odpowiednią odzież zimową.
- Podczas korzystania z produktu należy zawsze używać butów z antypoślizgową podeszwą i dobrym podparciem kostki, odpowiednich do pracy w trudnych warunkach.
- Nie nosić luźnych ubrań, które mogą zostać pochwycone przez elementy ruchome.
- W razie potrzeby stosować zatwierdzone rękawice ochronne. Na przykład podczas mocowania, kontroli lub czyszczenia łopatek.
- Podczas używania produktu zawsze stosować zatwierdzone środki ochrony słuchu. Narażenie na działanie hałasu przez długi czas może spowodować utratę słuchu.
- W przypadku rozlania paliwa na ubranie należy je natychmiast zmienić.
- Nie dopuścić do kontaktu paliwa z ciałem, ponieważ może to spowodować obrażenia. W przypadku kontaktu paliwa z ciałem należy użyć wody z mydłem w celu jego usunięcia.
- Nie uruchamiać maszyny, jeśli silnik jest nieszczelny. Regularnie sprawdzać silnik pod kątem nieszczelności.
- Zachować ostrożność przy pracy z paliwem. Paliwo jest łatwopalne, a jego opary mogą wybuchnąć, powodując obrażenia lub śmierć.
- Nie wdychać oparów paliwa, ponieważ może to być groźne dla zdrowia lub życia. Zapewnić odpowiednią wentylację.
- Nie palić tytoniu w pobliżu paliwa lub silnika.
- Nie umieszczać gorących przedmiotów w pobliżu paliwa lub silnika.

## Zespoły zabezpieczające na urządzeniu

- Należy zapewnić regularną konserwację produktu.
  - Wydłuża się czas eksploatacji produktu.
  - Zmniejsza się ryzyko wypadków.

Autoryzowany diler lub autoryzowane centrum serwisowe powinno regularnie sprawdzać produkt w celu przeprowadzenia regulacji lub napraw.

- Nie używać produktu z uszkodzonym wyposażeniem ochronnym. Jeśli produkt jest uszkodzony, skontaktować się z zatwierdzonym centrum serwisowym.

## Tłumik

Tłumik ogranicza do minimum poziom hałasu i odprowadza spaliny poza strefę pracy operatora.

Nie używać produktu, jeśli tłumik nie jest zamontowany lub jest uszkodzony. Uszkodzony tłumik zwiększa poziom hałasu oraz ryzyko pożaru.



**OSTRZEŻENIE:** Tłumik nagrzewa się do wysokiej temperatury podczas użytkowania oraz gdy silnik pracuje na obrotach biegu jałowego, oraz pozostaje gorący przez pewien czas po wyłączeniu silnika. W przypadku zbliżenia się do łatwopalnych materiałów i/lub spalin należy zachować szczególną ostrożność, aby zapobiec pożarowi.

## Zasady bezpieczeństwa dotyczące paliwa



**OSTRZEŻENIE:** Przed rozpoczęciem użytkowania produktu przeczytać następujące ostrzeżenia.

- Nie uruchamiać produktu, jeśli znajduje się na nim paliwo lub olej silnikowy. Usunąć zabrudzenia paliwem/olejem i odczekać, aż produkt wyschnie.

- Nie dolewać paliwa podczas pracy silnika.
- Przed tankowaniem upewnić się, że silnik jest zimny.
- Przed tankowaniem pomału odłączyć korek zbiornika paliwa i ostrożnie zwolnić ciśnienie.
- Nie dolewać paliwa do silnika w zamkniętym pomieszczeniu. Niewystarczający przepływ powietrza może doprowadzić do obrażeń lub śmierci na skutek uduszenia lub zatrucia tlenkiem węgla.
- Do końca dokręcić korek zbiornika paliwa. W przypadku braku dokręcenia korka zbiornika paliwa istnieje ryzyko powstania pożaru.
- Przed uruchomieniem należy przenieść produkt co najmniej 3 metry / 10 stóp od miejsca, w którym napełniany był zbiornik paliwa.
- Nie napełniać zbiornika paliwa całkowicie. Ciepło powoduje zwiększenie objętości paliwa. Pozostawić wolną przestrzeń na górze zbiornika.

## Ostrzeżenie dotyczące substancji chemicznych



**OSTRZEŻENIE:** Spaliny z silnika tej maszyny zawierają substancje chemiczne uważane przez stan Kalifornia za rakotwórcze, szkodliwe dla płodu lub w inny sposób szkodliwie wpływające na układ rozrodczy. Więcej informacji można znaleźć na stronie internetowej [www.P65Warnings.ca.gov](http://www.P65Warnings.ca.gov).

## Instrukcje bezpieczeństwa dotyczące konserwacji



**OSTRZEŻENIE:** Przed rozpoczęciem użytkowania produktu przeczytać następujące ostrzeżenia.

- Spaliny z silnika zawierają tlenek węgla, który jest bardzo niebezpiecznym, bezwonnym i trującym

- gazem. Nie należy uruchamiać silnika wewnątrz pomieszczeń lub w zamkniętych przestrzeniach.
- Przed rozpoczęciem konserwacji produktu wyłączyć silnik i odłączyć przewód zapłonowy ze świecy zapłonowej.
  - W trakcie konserwacji łopatek korzystać z rękawic ochronnych. Łopatki są bardzo ostre i mogą łatwo skaleczyć.
  - Niezatwierdzone przez producenta akcesoria i modyfikacje maszyny mogą spowodować poważne obrażenia lub śmierć. Nie należy modyfikować maszyny. Należy korzystać wyłącznie z akcesoriów zatwierdzonych do użytku przez producenta.

- W przypadku nieprawidłowo lub nieregularnie przeprowadzanej konserwacji wzrasta ryzyko obrażeń oraz uszkodzenia produktu.
- Konserwację należy przeprowadzać wyłącznie w sposób określony w instrukcji obsługi. Wszelkie pozostałe prace serwisowe muszą być wykonywane przez zatwierdzonego serwis.
- Należy dopilnować przeprowadzania regularnej konserwacji produktu przez autoryzowany serwis.
- Wymienić uszkodzone, zużyte lub zniszczone części.

---

## Montaż

---



**OSTRZEŻENIE:** Przed zmontowaniem produktu należy zapoznać się z rozdziałem dotyczącym bezpieczeństwa.

### Montaż uchwytów

1. Wykręcić 4 śruby kołnierzone M8x25 (A) z obudowy.
2. Użyć 4 śrub kołnierzowych M8x25 (A), 4 sprężystych elementów dystansowych (B) i 4 płaskich elementów dystansowych (C).
3. Zamontować dolny uchwyt (D) w 2 otworach po obu stronach obudowy. (Rys. 25)
4. Użyć 3 śrub mocujących uchwytu M8x50 (A), 3 elementów dystansowych (B), 3 pokręteł uchwytu (C) i 3 nakrętek zabezpieczających (D).
5. Zamontować górny uchwyt z panelem sterowania (E) na dolnym uchwycie. (Rys. 26)

### Montaż osłony rynny

1. Wymontować tarczę rotatora (B) i 6 śrub kołnierzowych z łbem sześciokątnym (D) z obudowy.
2. Przymocować tarczę rotatora (B) i osłonę rynny (A) do podstawy rynny za pomocą 3 bloków ograniczających (C).
3. Zamocować 6 śrub kołnierzowych z łbem sześciokątnym (D) i 6 nakrętek zabezpieczających (E), aby zablokować bloki ograniczające (C). (Rys. 27)

### Montaż rotatora rynny

1. Zamontować przedni koniec rotatora rynny.
2. Zamontować plastikową tuleję (B) do przedniego końca rotatora rynny.
3. Zamocować rotator rynny za pomocą 1 płaskiego elementu dystansowego (A) i 1 spinki (C). (Rys. 28)
4. Zamontować tylny koniec rotatora rynny.
5. Do montażu rotatora rynny użyć 1 nakrętki zabezpieczającej M8 (A), 1 pokręta uchwytu blokującego z tworzywa sztucznego (B), 2

zakrzywionych elementów dystansowych (C) i 1 śruby poziomującej (D).

6. Za pomocą 1 nakrętki sześciokątnej M8 (E) zamocować rotator rynny (F) w otworach uchwytu. (Rys. 29)

### Montaż drążka regulacji obrotów napędu

1. Zamontować długi, wygięty koniec drążka regulacji obrotów napędu (A) w panelu sterowania i zamocować go za pomocą 1 sprężyny korbowa (B), 1 płaskiego elementu dystansowego (C) i 1 zawleczi (D). (Rys. 30)
2. Przesunąć płytkę łączącą biegów (B) do góry i zamontować krótki, wygięty koniec drążka regulacji obrotów napędu (A). Zamocować drążek regulacji obrotów napędu (A) za pomocą 1 płaskiego elementu dystansowego (C) i 1 zawleczi (D). (Rys. 31)
3. W razie potrzeby wysunąć drążek regulacji obrotów napędu. Poluzować nakrętki zabezpieczające sprzączki regulacyjnej i obrócić ją. W celu zagwarantowania właściwej regulacji obrotów dokręcić sprzączkę regulacyjną do pierwotnego położenia. Pierwotne położenie jest zaznaczone na gwintach. (Rys. 32)

### Montaż linki ślimaka i linki napędowej

1. Wykręcić 2 śruby mocujące linki (B) z link (D).
2. Wkręcić 2 śruby mocujące linki (B) w otwory po lewej i prawej stronie uchwytów (A). (Rys. 33)
3. Przymocować linki (D) do śrub mocujących linki (B).
4. Połączyć i zablokować lewą i prawą wkładkę gwintu linki (D) oraz śrubę linki (B) tak, by górna część mosiężnej nakrętki zabezpieczającej (C) była ustawiona w jednej linii z oznaczeniem na gwintach (E).
5. Zablokować linkę za pomocą mosiężnej nakrętki zabezpieczającej (C).

---

## Przeznaczenie

---



**OSTRZEŻENIE:** Przed obsługą produktu należy uważnie i ze zrozumieniem przeczytać rozdział poświęcony bezpieczeństwu i instrukcje obsługi.

---

### Przed uruchomieniem produktu

- Upewnić się, że w pobliżu miejsca pracy nie ma osób nieupoważnionych lub zwierząt.
- Wykonywać codzienną konserwację. Patrz *Plan konserwacji na stronie 294*.
- Upewnić się, że przewód zapłonowy został odpowiednio nasadzony na świecę zapłonową.
- W razie potrzeby dolać oleju lub benzyny. Patrz *Napełnianie silnika olejem na stronie 292*.

### Napełnianie silnika olejem



**UWAGA:** Nie obracać wskaźnika prętowego podczas sprawdzania oleju. Nie napełniać powyżej oznaczonego poziomu.

---

1. Zdjąć korek wlewu oleju i wytrzeć prętowy wskaźnik poziomu oleju. Aby sprawdzić położenie wskaźnika, patrz *Przegląd produktu na stronie 285*.
2. Dolać oleju do górnego znaku na wskaźniku prętowym. Regularnie sprawdzać poziom oleju za pomocą wskaźnika prętowego.
3. Założyć korek wlewu oleju.

### Uzupełnianie paliwa

Jeśli to możliwe, należy korzystać z niskoemisyjnej benzyny alkilatowej. W przypadku braku dostępności benzyny niskoemisyjnej/alkilatowej należy korzystać z dobrej jakości benzyny bezołowiowej. Poza Ameryką Północną używać benzyny o liczbie oktanowej 90 (w Ameryce Północnej 87 (R+M)/2) lub wyższej o maksymalnej zawartości etanolu 10% (E10).

---



**UWAGA:** Poza Ameryką Północną nie używać benzyny o liczbie oktanowej niższej niż 90 (w Ameryce Północnej 87 (R+M)/2). Niezastosowanie się do tego zalecenia może spowodować uszkodzenie produktu.

---

1. Powoli otworzyć korek wlewowy w celu wyrównania ciśnienia.
2. Powoli napełniać zbiornik paliwa. W przypadku rozlania paliwa należy je usunąć przy użyciu ściereki i pozwolić na wyschnięcie pozostałego paliwa.
3. Oczyszczyć korek wlewowy i powierzchnię wokół niego.
4. Do końca dokręcić korek zbiornika paliwa. W przypadku braku dokręcenia korka zbiornika paliwa istnieje ryzyko powstania pożaru.

5. Przed uruchomieniem należy przenieść produkt co najmniej 3 metry od miejsca, w którym napełniany był zbiornik paliwa.

### Regulacja osłony rynny

Kierunek, w którym ma być wyrzucany śnieg, jest kontrolowany przez pokrętko rotatora rynny, który zamontowano na lewym uchwycie.

1. Obrócić pokrętko rotatora rynny, aby ustawić kierunek obrotu wyrzucanego śniegu.
2. Obrócić pokrętko rotatora rynny w prawo, aby wyrzucać śnieg w prawo.
3. Obrócić pokrętko rotatora rynny w lewo, aby wyrzucać śnieg w lewo. (Rys. 34)
4. Przesunąć deflektor kątowy w górę lub w dół, aby wyregulować odległość wyrzucania śniegu. (Rys. 35)

### Uruchamianie silnika

1. Zwolnić dźwignię załączania napędu. Ustawić dźwignię regulacji obrotów napędu w pierwszym położeniu.
2. Ustawić przełącznik paliwa w pozycji ON (Wł.). (Rys. 36)
3. Przekręcić kluczyk do położenia CLOSE (Zamknięcie). (Rys. 37)
4. Przesunąć kluczyk wł./wył. do położenia RUN (Jazda). (Rys. 38)
5. Nacisnąć pompkę paliwową 1–3 razy, aby uruchomić pompkę wspomagającą. Do rozruchu zimnego silnika w niskich temperaturach należy używać pompy wspomagającej. (Rys. 39)
6. Pociągnąć uchwyt linki rozrusznika. (Rys. 40)



**UWAGA:** Nie wolno szybko zwalniać uchwytu linki rozrusznika. Powoli pozwolić lince powrócić do pozycji wyjściowej.

---

**Uwaga:** Jeśli uchwyt linki rozrusznika jest zamrożony, powoli rozwinąć jak najwięcej linki i puścić uchwyt. Jeżeli silnik nie daje się uruchomić, powtórzyć procedurę lub użyć rozrusznika elektrycznego.

---

7. Przed rozpoczęciem odśnieżania pozostawić silnik na 30–40 sekund na biegu jałowym.
8. Gdy silnik się rozgrzeje, powoli przesunąć dźwignię ssania w położenie OPEN (Otwarte). (Rys. 41)

## Uruchomienie silnika rozrusznikiem elektrycznym



**OSTRZEŻENIE:** Maszyna jest wyposażona w rozrusznik elektryczny 230 V AC. Nie używać rozrusznika elektrycznego, jeśli instalacja elektryczna w domu ma inne napięcie niż 230 V AC i nie jest prawidłowo uziemiona. Może to spowodować poważne obrażenia ciała i uszkodzenie produktu. Rozrusznik elektryczny ma trójżyłowy wtyk zasilania i jest przeznaczony do użytku z domowymi instalacjami 230 V AC. Należy upewnić się, że w domu dostępna jest prawidłowo uziemiona instalacja o napięciu 230 V AC. W przypadku braku pewności spytać uprawnionego elektryka.

**Uwaga:** Należy użyć przedłużacza zalecanego do użytku na zewnątrz, o przekroju przewodu nie mniejszym niż 16 AWG (1,5 mm<sup>2</sup>) i długości nieprzekraczającej 15 m (50 stóp).

1. Zwolnić dźwignię załączania napędu. Ustawić dźwignię regulacji obrotów napędu w pierwszym położeniu.
2. Ustawić przełącznik paliwa w pozycji ON (Wł.). (Rys. 36)
3. Przekręcić kluczyk do położenia CLOSE (Zamknięcie). (Rys. 37)
4. Przesunąć kluczyk wł./wył. do położenia RUN (Jazda). (Rys. 38)
5. Naciśnąć pompkę paliwową 1–3 razy, aby uruchomić pompę wspomagającą. Do rozruchu zimnego silnika w niskich temperaturach należy używać pompy wspomagającej. (Rys. 39)
6. Podłączyć maszynę do źródła zasilania. (Rys. 42)
7. Naciśnąć i przytrzymać włącznik na skrzynce sterowniczej przez 5 sekund. (Rys. 43)
8. Jeśli silnik się nie uruchomi, odczekać 5 sekund, a następnie ponownie nacisnąć włącznik.



**UWAGA:** Nie próbować uruchamiać silnika więcej niż 10 razy. Po 10 próbach odczekać 40 minut i spróbować ponownie.

9. Po uruchomieniu silnika odłączyć przewód zasilający od urządzenia.
10. Przed rozpoczęciem odśnieżania pozostawić silnik na 30–40 sekund na biegu jałowym.
11. Gdy silnik się rozgrzeje, powoli przesunąć dźwignię ssania w położenie OPEN (Otwarte). (Rys. 41)

## Obsługa produktu

1. Docisnąć dźwignię załączania ślimaka do uchwytu, aby włączyć podajnik ślimakowy i wyrzucić śnieg. (Rys. 44)
2. Przesunąć dźwignię regulacji obrotów napędu w lewo, aby urządzenie poruszało się do przodu. Przesunąć dźwignię regulacji obrotów napędu w prawo, aby urządzenie poruszało się do tyłu. (Rys. 45)
3. Obsługiwać napęd za pomocą prawej dźwigni.
4. Docisnąć dźwignię załączania napędu do uchwytu, aby załączyć koła napędowe. Urządzenie porusza się do przodu lub do tyłu w zależności od położenia dźwigni regulacji obrotów napędu. (Rys. 46)

## Wyłączanie produktu

**Uwaga:** Aby wyłączyć silnik w sytuacji awaryjnej, wyciągnąć kluczyk wł./wył.

1. Zwolnić dźwignię załączania napędu, aby zatrzymać koła napędowe.
2. Zwolnić dźwignię załączania ślimaka, aby wyłączyć podajnik ślimakowy i zatrzymać wyrzucanie śniegu. (Rys. 47)
3. Ustawić przełącznik paliwa w pozycji OFF (Wył.). (Rys. 48)
4. Wyciągnąć kluczyk wł./wył. (Rys. 49)

## Uzyskiwanie dobrych rezultatów

- Silnik powinien zawsze pracować na pełnych obrotach lub blisko tej wartości.
- Prędkość maszyny należy zawsze dostosować do warunków w odśnieżanym miejscu, regulując ją za pomocą dźwigni sterowania prędkością jazdy. Należy się upewnić, że maszyna równomiernie wyrzuca śnieg.
- Usuwanie świeżo spadłego śniegu jest łatwiejsze i bardziej efektywne.
- Jeśli to możliwe, śnieg powinien być zawsze odrzucany z wiatrem.
- Na płaskich powierzchniach, takich jak drogi asfaltowe, płyty ślizgowe powinny znajdować się 5–6 mm (0,2–0,25 cala) nad ziemią.
- Listwa zgarniająca jest odwracalna. Należy ją odwrócić, gdy zużyje się niemal do krawędzi obudowy. Wymienić listwę zgarniającą, jeśli jest uszkodzona lub jej obie strony są zużyte.
- Nie demontować deflektora rynny, jeśli jest zapchany.
- Jeśli maszyna ze względu na nieprzewidziane okoliczności nie przesuwa się do przodu, natychmiast rozłączyć napęd lub przesunąć kluczyk WŁ./WYŁ. do położenia wyłączenia (OFF).

# Przegląd

## Plan konserwacji

Przegląd	Codziennie	20 godzin	50 godzin	100 godzin
Upewnić się, że wszystkie nakrętki i śruby są dokręcone	X			
Sprawdzić poziom oleju silnikowego	X			
Wymiana oleju <sup>103</sup>		X	X	X
Sprawdzić, czy nie występują wycieki paliwa lub oleju	X			
Usunąć zapchania i obce przedmioty ze ślimaka	X			
Kontrola ciśnienia <sup>104</sup>			X	
Sprawdzenie i wymiana świecy zapłonowej <sup>105</sup>				X

**Uwaga:** Skrzynia biegów nie wymaga uzupełniania smaru ani innych czynności konserwacyjnych.

## Przegląd ogólny

- Należy upewnić się, że wszystkie nakrętki i śruby maszyny są odpowiednio dokręcone.

## Kontrola poziomu oleju



**UWAGA:** Za niski poziom oleju może doprowadzić do poważnego uszkodzenia silnika. Przed uruchomieniem maszyny należy skontrolować poziom oleju.

- Postawić maszynę na równym podłożu.
- Odkręcić korek zbiornika oleju z zamocowanym wskaźnikiem prętowym.
- Zetrzeć olej z prętowego wskaźnika poziomu oleju.
- Włożyć prętowy wskaźnik całkowicie do zbiornika, aby sprawdzić rzeczywisty poziom oleju.
- Wyjąć prętowy wskaźnik poziomu oleju.
- Sprawdzić poziom oleju na wskaźniku prętowym.

<sup>103</sup> Olej wymieniać po pierwszych 20, 50 i 100 godzinach, a następnie co 100 godzin.

<sup>104</sup> Prawidłowe wartości ciśnienia w oponach są podane w danych technicznych.

<sup>105</sup> Co sezon przed użyciem sprawdzić i oczyścić świecę zapłonową.

- Jeśli poziom oleju jest zbyt niski, napełnić zbiornik olejem silnikowym i wykonać ponowną kontrolę poziomu oleju.

## Wymiana oleju silnikowego

- Przez kilka minut pozostawić włączony silnik, aby olej się podgrzał. Ciepły olej lepiej wypływa i zawiera w sobie większą ilość zanieczyszczeń.



**OSTRZEŻENIE:** Olej silnikowy jest gorący. Należy unikać kontaktu zużytego oleju silnikowego ze skórą.

- Postawić maszynę na równym podłożu.
- Nie wyłączać silnika do całkowitego zużycia paliwa.
- Wyjąć kluczyk.
- Umieścić zbiornik pod korkiem spustowym oleju.
- Odkręcić korek spustowy oleju, przechylić maszynę do tyłu i spuścić zużyty olej do zbiornika. (Rys. 50)
- Postawić maszynę z powrotem w położeniu roboczym.
- Włożyć korek spustowy oleju i odpowiednio dokręcić go ręką.

9. Napełnić silnik olejem, patrz *Napełnianie silnika olejem na stronie 292*.

## Kontrola świecy zapłonowej



**UWAGA:** Stosuj wyłącznie świece zapłonowe zalecane przez producenta. Niewłaściwy typ świecy zapłonowej może spowodować uszkodzenie produktu.

- Sprawdzić świecę zapłonową, jeśli silnik ma za małą moc, trudno go uruchomić lub nie działa prawidłowo na biegu jałowym.
- Aby zmniejszyć ryzyko przedostawania się niepożądanych materiałów na elektrody świecy zapłonowej, należy przestrzegać poniższych instrukcji:
  - a) Dopilnować, by obroty biegu jałowego zostały prawidłowo wyregulowane.
  - b) Upewnić się, że używany jest odpowiedni typ paliwa.
  - c) Zadbaj o czystość filtra powietrza.
- Jeśli świeca zapłonowa jest zabrudzona, należy ją wyczyścić i upewnić się, że odstęp między elektrodami jest prawidłowy, patrz *Dane techniczne na stronie 299*. (Rys. 51)
- W razie potrzeby wymienić świecę zapłonową.

## Kontrola ślimaka i listwy zgarniającej

1. Przed każdym użyciem należy sprawdzić pod kątem zużycia ślimak oraz listwę zgarniającą.
2. Jeśli krawędź listwy jest zużyta, należy odwrócić listwę. Jeśli listwa zgarniająca jest uszkodzona lub jest zużyta po obu stronach, wymienić ją.
3. Jeśli krawędzie ślimaka są zużyte, należy skontaktować się z autoryzowanym centrum serwisowym w celu ich wymiany.

## Regulacja płyt ślizgowych

Płyty ślizgowe zapobiegają uszkodzeniu dolnej części pługu odśnieżnego wirnikowego. Wyregulować płyty ślizgowe (A) w przypadku poluzowania się przeciwnakrętki (B) lub znalezienia się płyty ślizgowej w niewłaściwej odległości od podłoża. W przypadku normalnego montażu nie jest konieczna regulacja.

1. Poluzować przeciwnakrętkę (B) za pomocą klucza 13 mm (½ cala).
2. Przesunąć płyty ślizgowe (A) w górę lub w dół.
  - a) W przypadku płaskich powierzchni ustawić odstęp między zabierakiem a podłożem na 5–6 mm (0,2–0,25 cala).
  - b) W przypadku nierównych powierzchni ustawić płyty ślizgowe (A) tak, aby zabierak znalazł się ponad powierzchnia podłoża.



**OSTRZEŻENIE:** Dopilnować, aby żwir i kamienie nie dostawały się do wnętrza produktu. Wyrzucane z dużą prędkością przedmioty mogą spowodować obrażenia ciała.

3. Dokręcić przeciwnakrętkę (B). (Rys. 52)

## Wymiana kołka zabezpieczającego

Kołek zabezpieczający chroni maszynę przed uszkodzeniem. Wypada z maszyny, gdy do ruchomych części dostanie się obcy przedmiot.

1. Jeśli kołek zabezpieczający pęknie, należy wyłączyć silnik.
2. Założyć nowy kołek zabezpieczający (A) i nową sprężynę zaciskową (B). (Rys. 53)

## Kontrola opon

- Opony nie mogą być zanieczyszczone paliwem, olejem ani środkami chemicznymi, ponieważ uszkadzają one gumę.
- Pniaki, kamienie, koleiny, ostre przedmioty itp. mogą powodować uszkodzenia opon i nie należy po nich przejeżdżać.
- Utrzymywać prawidłowe ciśnienie w oponach, patrz *Dane techniczne na stronie 299*.

## Udrażnianie zapchanego deflektora rynny wylotowej

Nie udrażniać deflektora rynny wylotowej przed wykonaniem poniższych czynności.

1. Jednocześnie rozłączyć napęd ślimaka i napęd jazdy.
2. Odczekać 10 sekund, aby ślimak przestał się obracać.
3. Zatrzymać urządzenie.
4. Aby usunąć zator, użyć narzędzia do czyszczenia (długość co najmniej 37 cm lub 15 cali, w zestawie z niektórymi modelami).



**OSTRZEŻENIE:** Nie wkładać rąk do deflektora rynny wylotowej ani do wnętrza lemiesza ślimaka.

## Czyszczenie produktu

- Plastikowe części należy czyścić czystą i suchą ściereczką.
- Nie używać myjek wysokociśnieniowych do czyszczenia urządzenia.
- Nie polewać silnika bezpośrednio wodą.
- W celu usunięcia liści, trawy i brudu należy użyć szcztolki.

## Rozwiązywanie problemów

### Rozwiązywanie problemów

Problem	Możliwa przyczyna	Rozwiązanie
Produkt nie uruchamia się	Kluczyk zapłonu nie jest włożony do stacyjki.	Włożyć do stacyjki kluczyk zapłonu.
	Maszyna nie ma paliwa.	Napełnić zbiornik paliwa świeżą, czystą benzyną.
	Kluczyk wł./wyt. jest ustawiony w położeniu OFF (Wyt.)	Ustawić kluczyk wł./wyt. w położeniu ON (Wł.).
	Pokrętko ssania jest w położeniu wyłączenia (zamknięcia).	Obrócić pokrętko ssania do pozycji włączenia (pełnego ssania).
	Pompka paliwa nie była naciśnięta.	Nacisnąć pompkę.
	Silnik jest zalany.	Odczekać parę minut, NIE zalewać pompki paliwowej.  Ponownie uruchomić silnik przy pełnym otwarciu przepustnicy i ssaniu w położeniu wyłączonym (zamkniętym).
	Przewód świecy zapłonowej nie jest podłączony.	Podłączyć przewód do świecy zapłonowej.
	Świeca zapłonowa jest niesprawna.	Wymiana świecy zapłonowej.
	W paliwie jest woda lub paliwo jest zbyt stare.	Opróżnić zbiornik paliwa i gaźnik. Napełnić zbiornik paliwa świeżą, czystą benzyną.
	Przewód paliwowy jest zapowietrzony.	Poprowadzić przewód paliwowy w taki sposób, aby na całej swej długości przebiegał poniżej wylotu ze zbiornika paliwa. Przewód paliwowy powinien obniżać się stopniowo na całym odcinku od zbiornika paliwa do gaźnika.
	Inne przyczyny.	Dokładnie zapoznać się z procedurami rozruchu w tej instrukcji.
	Przełącznik paliwa (w zależności od wyposażenia) znajduje się w położeniu CLOSE (OFF) (Zamknięcie — Wyt.).	Ustawić przełącznik paliwa w położeniu otwarcia (ON).
Przepustnica znajduje się w położeniu zatrzymania.	Przełączyć przepustnicę w położenie szybkich obrotów.	



<b>Problem</b>	<b>Możliwa przyczyna</b>	<b>Rozwiązanie</b>
Obniżona moc	Przewód świecy zapłonowej nie jest podłączony.	Podłączyć przewód do świecy zapłonowej.
	Maszyna wyrzuca zbyt dużo śniegu.	Zmniejszyć prędkość i szerokość ścieżki odśnieżania.
	Korek wlewu paliwa jest oblodzony lub pokryty warstwą śniegu.	Usunąć oblodzenie i śnieg z korka wlewu paliwa i obszaru wokół niego.
	Tłumik jest zanieczyszczony lub zapchany.	Oczyścić lub wymienić tłumik.
	Niewłaściwa długość przewodu.	Wyregulować linkę.
	Tłumik jest zablokowany.	Sprawdzić, czy silnik jest chłodny. Usunąć blokadę.
	Wlot powietrza do gaźnika jest zablokowany.	Sprawdzić, czy silnik jest chłodny. Usunąć blokadę.
Nierównomierne obroty jałowe lub robocze silnika	Ssanie jest w położeniu włączenia (pełnego ssania).	Ustawić pokrętko ssania w położeniu wyłączenia (zamknięcia).
	Przewód paliwowy jest zablokowany.	Oczyścić przewód paliwowy.
	W paliwie jest woda lub paliwo jest zbyt stare.	Opróżnić zbiornik paliwa i gaźnik. Napełnić zbiornik paliwa świeżą, czystą benzyną.
	Gaźnik wymaga wymiany.	Skontaktować się z autoryzowanym centrum serwisowym.
	Pasek jest rozciągnięty.	Wymienić pasek klinowy ślimaka.
Nadmierne drgania / ruchy rączki	Niektóre elementy są luźne. Ślimak jest uszkodzony.	Dokręcić wszystkie napinacze. Wymienić wszystkie uszkodzone części. Gdy drgania nie znikną, skontaktować się z autoryzowanym centrum serwisowym.
	Uchwyty nie są prawidłowo ustawione.	Sprawdzić, czy uchwyty są zablokowane w odpowiednim położeniu.
	Poluzowane nakrętki dźwigni regulacyjnej.	Dokręcić nakrętki aż do usunięcia chybota rączki.
Uchwyt linki rozrusznika stawia duży opór	Uchwyt linki rozrusznika jest zamarznięty.	Powoli rozwinąć jak najwięcej linki i puścić uchwyt linki rozrusznika. Jeżeli silnik nie daje się uruchomić, powtórzyć procedurę lub użyć rozrusznika elektrycznego.
	Linka koliduje z innymi częściami maszyny.	Linka rozrusznika nie może uderzać o żadne kable ani przewody.

Problem	Możliwa przyczyna	Rozwiązanie
Utrata napędu jazdy/ zmniejszenie prędkości jazdy  Śnieg nie jest wyrzucany na zewnątrz z rynny wyrzutowej lub zmniejszona wydajność odśnieżania	Pasek się ślizga.	Wyregulować linkę. Wyregulować pasek.
	Pasek jest zużyty.	Sprawdzić / wymienić pasek.
	Pasek spadł z koła pasowego.	Sprawdzić / założyć pasek na miejsce.
	Zatkana osłona rynny.	Oczyścić osłonę rynny.
	Obce przedmioty blokują ślimak.	Usunąć zanieczyszczenia lub obce przedmioty ze ślimaka.
	Kolek zabezpieczający jest uszkodzony.	Wymienić uszkodzony kolec zabezpieczający.
	Nadmierne gromadzenie się śniegu i lodu między elementami napędowymi.	Należy usunąć śnieg i lód spomiędzy elementów napędowych.
	Koło napędowe cierne jest zużyte.	Skontaktować się z autoryzowanym centrum serwisowym.
Ślimak nie obraca się po zwolnieniu uchwytu.	Pasek napędowy jest źle ustawiony.	Wyregulować pasek napędowy.
	Deflektor nie jest odpowiednio ustawiony.	Ustawić odpowiednio deflektor wylotowy.
Światła nie są włączone (jeśli są na wyposażeniu)	Silnik nie pracuje.	Uruchomić silnik.
	Łącznik przewodu jest obłuzowany.	Sprawdzić łączniki przewodów przy silniku i światłach.
	Dioda LED jest przepalona.	Wymienić moduł z diodą LED. Nie można wymieniać pojedynczych diod LED.
Głowica obrotowa rynny zaczyna się	Do mechanizmu obracania rynny dostały się zanieczyszczenia.	Wyczyścić elementy wewnętrzne mechanizmu obrotowego rynny.
	Linki zgięte lub uszkodzone.	Upewnić się, że linki są właściwie pociągnięte. Wymienić uszkodzone linki.
Maszyna skręca w jedną stronę	Ciśnienie w oponach nie jest takie samo.	Wyregulować ciśnienie w oponach.
	Napęd działa tylko na jedno koło.	Sprawdzić kolec blokujący opony.
	Nierówno ustawione płozy.	Wyregulować płyty ślizgowe i płozy.
	Nierówno ustawione płyty ślizgowe.	Wyregulować płyty ślizgowe i płozy.

## Transport, przechowywanie i utylizacja

### Transport i przechowywanie

- W zakresie przechowywania i transportu maszyny i paliwa należy upewnić się, że nie ma żadnych przecieków ani nie wydostają się z urządzenia żadne opary. Iskry lub otwarty płomień pochodzące, na przykład, z urządzeń elektrycznych lub kotłów, mogą wzniecić pożar.
- Zawsze należy korzystać z zatwierdzonych pojemników do przechowywania i transportu paliwa.
- Opróżnić zbiornik paliwa przed odłożeniem maszyny na dłuższy okres.
- Jeśli w zbiorniku paliwa gaźnika znajduje się korek spustowy, przed rozpoczęciem przechowywania maszyny przez dłuższy czas należy usunąć paliwo z gaźnika.

- Podczas transportu, w celu zapobieżenia uszkodzeniom i wypadkom, maszynę należy bezpiecznie zamocować.
- Maszynę należy przechowywać w zamkniętym obszarze w celu uniemożliwienia dzieciom lub nieupoważnionym osobom uzyskania do niej dostępu.
- Produkt przechowywać w suchym obszarze nie narażonym na przymrozki.
- Zutylizować wszelkie środki chemiczne, takie jak olej silnikowy lub paliwo, w centrum serwisowym lub w odpowiednim punkcie utylizacji.
- Zutylizować maszynę w zatwierdzonym punkcie utylizacji lub wysłać ją do Husqvarna w celu utylizacji.

## Utylizacja

- Należy przestrzegać lokalnych wymogów oraz obowiązujących przepisów.

---

## Dane techniczne

---

### Dane techniczne

<b>ST 124</b>	
<b>Wymiary</b>	
Masa z pustymi zbiornikami, kg	76
Maks. ciśnienie robocze w oponach, PSI	20
Wysokość wlotu, cm	53,3
Szerokość robocza, cm	61
<b>Silnik</b>	
Marka	Husqvarna
Nominalna moc wyjściowa silnika (kW)	4,3
Poj. skokowa cylindra, cm <sup>3</sup>	212
Typ paliwa	Benzyna bezołowiowa (maksymalnie 10% etanolu)
Poj. zbiornika paliwa, gal./l	0,58 / 2,2
Typ oleju (API SJ-SN)	SAE 5W30 (poniżej 0°C (32°F))
Objętość oleju fl. oz. / l	20 / 0,6
<b>Układ elektryczny</b>	
Świeca zapłonowa	F7RTC
Świeca zapłonowa, odstęp między elektrodami, (cale / mm)	0,027-0,031 / 0,7-0,8
<b>Poziom hałasu</b> <sup>106</sup>	
Zmierzony poziom mocy akustycznej, w dB(A)	100
Poziom głośności, gwarantowana moc akustyczna L <sub>WA</sub> dB(A)	102

<sup>106</sup> Emisję hałasu do otoczenia zmierzono jako moc akustyczną (L<sub>WA</sub>) zgodnie z dyrektywami WE: 2000/14/WE i 2005/88/WE. Odnotowane dane dotyczące emisji hałasu mają typowe rozproszenie statystyczne (odchylenie standardowe) przy wartości 1,5 dB (A). Współczynnik niepewności = 1,5 dB(A)

	<b>ST 124</b>
<b>Poziomy głośności<sup>107</sup></b>	
Poziom ciśnienia akustycznego przy uchu operatora, zmierzona wartość $L_{PA}$ (dB(A))	86
<b>Poziomy wibracji <math>a_{hveq}</math><sup>108</sup></b>	
Poziom wibracji na uchwycie, lewa/prawa strona	4,15 / 4,08

<sup>107</sup> Poziom ciśnienia akustycznego zgodnie z normą EN ISO 11201. Odnotowane dane dla ciśnienia akustycznego mają typowe rozproszenie statystyczne (odchylenie standardowe) w wysokości 1,5 dB (A). Współczynnik niepewności = 1,5 dB(A)

<sup>108</sup> Poziom wibracji zgodnie z normą ISO 8437-4, załącznik B. Współczynnik niepewności = 1,5 m/s<sup>2</sup>

# Deklaracja zgodności WE

## TREŚĆ DEKLARACJI ZGODNOŚCI Z NORMAMI WE

Firma Husqvarna, SE-561 82 Huskvarna, SZWECJA, z pełną odpowiedzialnością zapewnia, że przedstawiony produkt:

Opis	Odświeżarka
Marka	Husqvarna
Platforma/typ/model	ST 124
Partia produkcyjna	Numer seryjny datowany na 2020 i późniejsze

spełnia wszystkie wymogi określone w odpowiednich dyrektywach i przepisach UE:

Dyrektywa/przepis	Opis
2006/42/WE	„maszynowa”
2014/30/UE	„dotycząca zgodności elektromagnetycznej”
2000/14/WE; 2005/88/WE	„dotycząca emisji hałasu”
2011/65/UE	„dotycząca ograniczenia użycia określonych substancji niebezpiecznych”

Zostały zastosowane następujące normy zharmonizowane i/lub specyfikacje techniczne: EN ISO 12100:2010, EN ISO 14982:2009, ISO 8437-1:2019, ISO 8437-2:2019, ISO 8437-4:2019, ISO 3744:1995, EN 1032:2003+A1:2008, EN 50581:2012

Zgodnie z dyrektywą 2000/14/WE oraz 2005/88/WE, aneks V, deklarowane wartości dźwięku są podane w rozdziale „Dane techniczne” w niniejszej instrukcji i w podpisanej deklaracji zgodności WE.

Dostarczona odświeżarka jest zgodna ze specyfikacją prototypu poddanego kontroli.

W imieniu Husqvarna AB, SE-561 82 Huskvarna, SZWECJA, 2020-02-07



Claes Losdal

Osoba odpowiedzialna za przygotowanie dokumentacji technicznej w UE

---

# ÍNDICE

---

Introdução.....	302	Resolução de problemas.....	313
Segurança.....	303	Transporte, armazenamento e eliminação.....	315
Montagem.....	308	Especificações técnicas.....	316
Funcionamento.....	308	Declaração CE de conformidade.....	318
Manutenção.....	310		

---

## Introdução

---

### Vista geral do produto

(Fig. 1)

1. Engate da broca
2. Alavanca de controlo da velocidade de condução
3. Painel de controlo
4. Cabo da broca
5. Controlo do rotor da calha
6. Deflector da calha
7. Ferramenta de limpeza
8. Alojamento da broca
9. Brocas
10. Placa de deslize
11. Pneu
12. Enchimento de óleo
13. Motor
14. Barra inferior
15. Biela de controlo da velocidade de condução
16. Cabo de transmissão
17. Punho de arranque de recuo
18. Engate da transmissão
19. Punhos
20. Aciador
21. Estrangulador
22. Comutador de combustível
23. Chave de ON/OFF
24. Manual do utilizador

### Descrição do produto

O produto é um soprador de neve utilizado para retirar neve do solo.

### Finalidade

Este produto pode ser utilizado para retirar neve de campos, estradas, passeiros e acessos. Não utilizar em inclinações superiores a 15°. Não utilize o produto em áreas com muitos resíduos, sujidade e pedras salientes.

### Symbols on the product

---

**Nota:** If the decals on the product are damaged, contact the distributor to replace them.

---

- (Fig. 2) Warning.
- (Fig. 3) Read the operator's manual.
- (Fig. 4)
- (Fig. 5) Hot surface.
- (Fig. 6) Risk of fire.
- (Fig. 7) Choke.
- (Fig. 8) Pull starter rope handle.
- (Fig. 9) Do not breathe in the exhaust fumes from the engine.
- (Fig. 10) Do not put any part of the body into the chute deflector or the auger housing when the augers rotate.
- (Fig. 11) Stop the engine before you remove snow from the chute deflector. Use the clean-out tool to remove snow, do not do it by hand.
- (Fig. 12)
- (Fig. 11) Keep hands away from the chute deflector.
- (Fig. 13) Objects can be ejected from the product.
- (Fig. 14) Keep bystanders away from the product when operating.
- (Fig. 15) Remove key before maintenance.
- (Fig. 16) Push in the on/off key to the RUN position.
- (Fig. 17) Turn the fuel switch to the ON position.
- (Fig. 18) Push the primer.
- (Fig. 19) Risk of falling.

- (Fig. 20) Move slowly rearward.
- (Fig. 21) Use approved protective gloves.
- (Fig. 22) Use a protective helmet. Use approved hearing protection. Use approved eye protection.
- (Fig. 23) Noise emissions to the environment according to European Directive 2000/14/EC and New South Wales legislation "Protection of the Environment Operations (Noise Control) Regulation 2017". Noise emission data can be found on the machine label and in the Technical data chapter.
- (Fig. 24) European machinery directive for safety.

**Nota:** Other symbols/decals on the product refer to certification requirements for some markets.

## Emissões Euro V



**ATENÇÃO:** A adulteração do motor anula a aprovação deste produto pela UE.

## Segurança

### Definições de segurança

As definições abaixo indicam o nível de gravidade para cada palavra do sinal.



**ATENÇÃO:** Ferimentos pessoais.



**CUIDADO:** Danos no produto.

**Nota:** Esta informação facilita a utilização do produto.

### Práticas de funcionamento seguro para sopradores de neve de controlo apreado

#### Geral

Esta máquina é capaz de amputar mãos e pés e de arremessar objetos. O não cumprimento das seguintes instruções de segurança pode provocar ferimentos graves.

#### Formação

- Leia, compreenda e siga todas as instruções na máquina e no(s) manual(ais) antes de colocar o aparelho em funcionamento. Familiarize-se perfeitamente com os comandos e utilização correta

## Fabricante

Husqvarna AB

Drottninggatan 2, SE-561 82 Huskvarna

## Responsabilidade pelo produto

Como referido nas leis de responsabilidade pelo produto, não somos responsáveis por danos causados pelo nosso produto se:

- o produto tiver sido incorretamente reparado.
- o produto tiver sido reparado com peças que não sejam do fabricante ou que não sejam aprovadas pelo fabricante.
- o produto tiver um acessório que não seja do fabricante ou que não seja aprovado pelo fabricante.
- o produto não tiver sido reparado por um centro de assistência autorizado ou por uma autoridade aprovada.

do equipamento. Saiba como desligar o aparelho e desengatar os controlos rapidamente.

- Nunca permita que crianças trabalhem com a máquina. Nunca permita que adultos utilizem a máquina sem instruções adequadas.
- Mantenha sempre a área de funcionamento livre de pessoas, em especial de crianças pequenas.
- Tenha cuidado para evitar escorregar ou cair, especialmente quando utilizar a máquina no sentido inverso.

#### Preparação

- Inspeccione minuciosamente a área onde a máquina vai ser usada e retire todos os tapetes, trenós, tábuas, fios e outros objetos estranhos.
- Desengate todas as embraiagens e mude para a posição neutra antes de colocar a máquina em funcionamento.
- Não utilize a máquina sem usar vestuário de inverno adequado. Evite vestuário folgado que possa ficar preso nas peças em movimento. Use calçado que melhore a estabilidade em superfícies escorregadias.
- Utilize sempre óculos de segurança ou protectores oculares durante o funcionamento ou enquanto efectuar ajustes ou reparações, para proteger os olhos de objectos estranhos que possam ser arremessados pela máquina.
- Manuseie o combustível com cuidado, este é altamente inflamável.
  - Use um recipiente de combustível aprovado.

- Nunca adicione combustível num motor em funcionamento ou quente.
- Encha o depósito de combustível no exterior com extremo cuidado. Nunca encha o depósito de combustível no interior.
- Nunca encha os depósitos no interior de um veículo ou num camião ou atrelado com cobertura de plástico. Coloque sempre os depósitos no chão, afastados do veículo, antes de encher.
- Quando for prático, retire o equipamento a gás do camião ou atrelado e reateste-o no chão. Se tal não for possível, reateste esse equipamento num atrelado com um depósito portátil, em vez de a partir de um bico de alimentação de gasolina.
- Mantenha sempre o bico em contacto com o rebordo da abertura do depósito de combustível até acabar de reatestar. Não utilize um dispositivo de abertura do bocal.
- Volte a colocar a tampa da gasolina de forma segura e limpe o combustível derramado.
- Se derramar combustível para a roupa, mude de roupa imediatamente.
- Use cabos de extensão e recetáculos tal como especificado pelo fabricante para todas as unidades com motores de arranque elétricos.
- Ajuste a altura do alojamento do apanhador para limpar superfícies de gravilha ou pedra.
- Nunca tente efectuar quaisquer ajustes enquanto o motor estiver em funcionamento (excepto quando tal for especificamente recomendado pelo fabricante).

### Funcionamento

- Não coloque as mãos ou os pés perto ou por baixo de peças em rotação. Mantenha-se sempre afastado da abertura de descarga.
- Tenha extremo cuidado durante o funcionamento ou a atravessar ruas ou caminhos com cascalho. Mantenha-se alerta para perigos ocultos ou quando utilizar a máquina próximo de estradas públicas.
- Depois de colidir com um objeto estranho, pare o motor, retire o fio da vela de ignição, desligue o fio nos motores elétricos, inspecione minuciosamente o soprador de neve quanto a danos e repare os danos antes de reiniciar o funcionamento do mesmo.
- Se a máquina começar a vibrar anormalmente, pare o motor e verifique imediatamente a causa. Regra geral, as vibrações são um aviso de perigo.
- Pare o motor sempre que abandonar a posição de funcionamento, antes de desentupir a caixa do apanhador/impulsor ou o tubo de descarga e quando efetuar reparações, ajustes ou inspeções.
- Não coloque o motor em funcionamento no interior, exceto para o arranque do mesmo e para transportar o soprador de neve para dentro ou para fora do edifício. Abra a porta para o exterior, os gases de escape são perigosos.

- Tenha extremo cuidado durante o funcionamento em declives.
- Nunca opere a máquina sem as proteções adequadas e outros dispositivos de proteção de segurança colocados e a funcionar.
- Nunca direcione a descarga para pessoas ou áreas onde possa ocorrer danos materiais. Mantenha as crianças e terceiros afastados.
- Não sobrecarregue a capacidade da máquina tentando limpar neve a uma velocidade demasiado elevada.
- Nunca opere a máquina a altas velocidades em superfícies escorregadias. Olhe para trás e tenha cuidado durante o funcionamento no sentido contrário.
- Desligue a alimentação do apanhador/impulsor quando a máquina for transportada ou não for usada.
- Utilize apenas acessórios aprovados pelo fabricante da máquina (tais como pesos de rodas, contrapesos ou cabinas).
- Nunca utilize a máquina sem ter boa visibilidade ou luminosidade. Certifique-se sempre que está estável e segure nas pegas com firmeza. Caminhe, nunca corra.
- Nunca toque no motor ou no silenciador quentes.

### Desentupir o tubo de descarga

- O contacto das mãos com o impulsor em rotação no interior do tubo de descarga é a causa de ferimentos mais comum associada a sopradores de neve. Nunca utilize a sua mão para desentupir o tubo de descarga.
- Para limpar o tubo:
  1. DESLIGUE O MOTOR!
  2. Aguarde 10 segundos para se certificar de que o impulsor parou de rodar.
  3. Utilize sempre uma ferramenta de limpeza e não as mãos.

### Manutenção e armazenagem

- Verifique frequentemente se os pernos de cisalhamento e outros parafusos estão corretamente apertados para ter a certeza de que o equipamento está em condições de funcionamento seguras.
- Nunca guarde a máquina com combustível no respetivo depósito dentro de um edifício onde existam fontes de ignição, tais como caldeiras, aquecedores ou secadores de vestuário. Deixe o motor arrefecer antes de o guardar.
- Consulte sempre o manual de instruções para obter informações importantes caso o soprador de neve seja armazenado durante um longo período de tempo.
- Mantenha ou substitua as etiquetas de segurança, conforme necessário.
- Coloque a máquina em funcionamento durante alguns minutos depois de limpar a neve para evitar o congelamento do apanhador/impulsor.



- Quando limpar, reparar ou inspecionar o soprador de neve, pare o motor e certifique-se de que o apanhador/impulsor e todas as peças em movimento pararam. Desligue sempre o fio da vela de ignição e coloque-o longe da vela para evitar que alguém coloque acidentalmente o motor em funcionamento.
- Não deixe uma criança utilizar o produto. Não permita que o produto seja operado por uma pessoa que não conheça as instruções.
- Certifique-se de que monitoriza sempre a utilização do produto por pessoas com diminuição da capacidade física ou mental. Tem de estar sempre presente um adulto responsável.

## Instruções de segurança gerais

- Utilize o produto corretamente. Ferimentos ou morte são resultados possíveis de utilização incorreta. Utilize apenas o produto para as tarefas descritas neste manual. Não utilize o produto para outras tarefas.
- Siga as instruções neste manual. Respeite as instruções e os símbolos de segurança. Ferimentos, danos ou morte são um resultado possível se o operador não respeitar as instruções e os símbolos.
- Não elimine este manual. Utilize as instruções para montar, para operar e para manter o seu produto em bom estado. Utilize as instruções para a instalação correta de acessórios. Utilize apenas acessórios aprovados.
- Não utilize um produto danificado. Respeite o esquema de manutenção. Realize apenas tarefas de manutenção descritas neste manual. Todas as outras tarefas de manutenção têm de ser realizadas por um centro de assistência autorizado.
- Este manual não pode incluir todas as situações que podem ocorrer quando utiliza o produto. Seja cuidadoso e use o seu senso comum. Não opere o produto nem realize tarefas de manutenção se não tiver a certeza acerca da situação. Fale com um especialista do produto, o seu concessionário, oficina autorizada ou centro de assistência autorizado para obter informações.
- Desligue o cabo da vela de ignição antes de montar o produto, de o armazenar ou de realizar tarefas de manutenção.
- Não utilize o produto se este for alterado da sua especificação inicial. Não altere uma parte do produto sem a aprovação do fabricante. Utilize apenas peças que sejam aprovadas pelo fabricante. Ferimentos ou morte são resultados possíveis de manutenção incorreta.
- Não respire os gases do motor. A inalação prolongada dos gases de escape do motor constitui um risco para a saúde.
- Não arranque o produto em locais fechados ou nas proximidades de material inflamável. Os gases de escape são quentes e podem conter faíscas que podem causar incêndios. O fluxo de ar insuficiente pode causar ferimentos ou morte devido a asfíxia ou monóxido de carbono.
- Quando utilizar esse produto, o motor produz um campo eletromagnético. O campo eletromagnético pode causar danos a implantes médicos. Consulte o seu médico e o fabricante do implante antes de utilizar este produto.
- Bloqueie o produto numa área à qual crianças e pessoas sem autorização não tenham acesso.
- O produto pode projetar objetos e causar ferimentos. Respeite as instruções de segurança para diminuir o risco de ferimentos ou morte.
- Não se afaste do produto quando o motor estiver ligado.
- O operador do produto é responsável caso ocorra um acidente.
- Antes e enquanto estiver a caminhar de costas, olhe para trás e para baixo para ter em atenção a crianças pequenas, animais ou outros riscos que podem provocar quedas.
- Certifique-se de que as peças não estão danificadas antes de utilizar o produto.
- Certifique-se de que está no mínimo a 15 m (50 pés) de distância de outras pessoas ou animais antes de utilizar o produto. Certifique-se de que uma pessoa numa área adjacente sabe que irá utilizar o produto.
- Consulte as leis nacionais ou locais. Podem impedir ou diminuir o funcionamento do produto em algumas condições.

## Formação

- Leia, compreenda e siga todas as instruções na máquina e no(s) manual(ais) antes de colocar o aparelho em funcionamento. Familiarize-se perfeitamente com os comandos e utilização correcta do equipamento. Saiba como desligar o aparelho e desengatar os controlos rapidamente.
- Nunca permita que crianças trabalhem com o equipamento. Nunca permita que adultos operem o equipamento sem instrução adequada.
- Mantenha sempre a área de funcionamento livre de pessoas, em especial de crianças pequenas.
- Tenha cuidado para evitar escorregar ou cair, especialmente quando operar o soprador de neve no sentido inverso.

## Instruções de segurança para funcionamento

- Não coloque as mãos ou os pés perto ou por baixo de peças em rotação. Mantenha-se sempre afastado da abertura de descarga.
- Tenha extremo cuidado durante o funcionamento ou a atravessar ruas, caminhos ou estradas com cascalho. Tenha atenção a perigos escondidos ou ao trânsito.
- Depois de colidir com um objeto estranho, pare o motor, retire o fio da vela de ignição, desligue o fio nos motores elétricos, inspecione minuciosamente o

produto quanto a danos e repare os danos antes de reiniciar o funcionamento do produto.

- Se o produto começar a vibrar anormalmente, pare o motor e verifique imediatamente a causa. Regra geral, as vibrações são um aviso de perigo.
- Pare o motor sempre que abandonar a posição de funcionamento, antes de desentupir o alojamento da broca ou o defletor da calha e quando efetuar reparações, ajustes ou inspeções.
- Quando limpar, reparar ou inspecionar o produto, pare o motor e certifique-se de que todas brocas e peças em movimento pararam. Desligue sempre o fio da vela de ignição e coloque-o longe da vela para evitar que alguém coloque acidentalmente o motor em funcionamento.
- Não coloque o motor em funcionamento no interior, exceto para o arranque do mesmo e para transportar o produto para dentro ou para fora do edifício. Abra a porta para o exterior, os gases de escape são perigosos.
- Tenha extremo cuidado durante o funcionamento em declives.
- Nunca opere o produto sem as proteções adequadas e outros dispositivos de proteção de segurança colocados e a funcionar.
- Nunca direcione a descarga para pessoas ou áreas onde possam ocorrer danos materiais. Mantenha as crianças e terceiros afastados.
- Não sobrecarregue a capacidade do produto tentando limpar neve a uma velocidade demasiado elevada.
- Nunca opere o produto a altas velocidades em superfícies escorregadias. Olhe para trás e tenha cuidado durante o funcionamento no sentido contrário.
- Desligue a alimentação das brocas quando o produto for transportado ou não for usado.
- Utilize apenas acessórios aprovados pelo fabricante do produto (tais como pesos de rodas, contrapesos ou cabinas).
- Nunca utilize o produto sem ter boa visibilidade ou luminosidade. Certifique-se sempre que está estável e segure nas pegas com firmeza. Caminhe, nunca corra.
- Nunca toque no motor ou no silenciador quentes.

## Segurança no local de trabalho

- Inspeccione minuciosamente a área onde o equipamento vai ser usado e retire todos os tapetes, trenós, tábuas, fios e outros objectos estranhos.
- Desengate todas as embraiagens e mude para a posição neutra antes de colocar o motor em funcionamento.
- Não utilize o produto sem usar vestuário de inverno adequado. Evite vestuário folgado que possa ficar preso nas peças em movimento. Use calçado que melhore a estabilidade em superfícies escorregadias.

- Manuseie o combustível com cuidado, este é altamente inflamável.
  - Use um recipiente de combustível aprovado.
  - Nunca adicione combustível num motor em funcionamento ou quente.
  - Encha o depósito de combustível no exterior com extremo cuidado. Nunca encha o depósito de combustível no interior.
  - Nunca encha os depósitos no interior de um veículo ou num camião ou atrelado com cobertura de plástico. Coloque sempre os depósitos no chão, afastados do veículo, antes de encher.
  - Quando for prático, retire o equipamento a gás do camião ou atrelado e reateste-o no chão. Se tal não for possível, reateste esse equipamento num atrelado com um depósito portátil, em vez de a partir de um bico de alimentação de gasolina.
  - Mantenha sempre o bico em contacto com o rebordo da abertura do depósito de combustível até acabar de reatestar. Não utilize um dispositivo de abertura do bocal.
  - Volte a colocar a tampa da gasolina de forma segura e limpe o combustível derramado.
  - Se derramar combustível para a roupa, mude de roupa imediatamente.
- Use cabos de extensão e receptáculos tal como especificado pelo fabricante para todas as máquinas com motores de accionamento ou arranque eléctricos.
- Ajuste a altura do alojamento da broca para limpar superfícies de gravilha ou pedra.
- Nunca tente efetuar quaisquer ajustes enquanto o motor estiver em funcionamento (exceto quando tal for especificamente recomendado pelo fabricante).
- Utilize sempre óculos de segurança ou protectores oculares durante o funcionamento ou enquanto efectuar ajustes ou reparações, para proteger os olhos de objectos estranhos que possam ser arremessados pela máquina.

## Equipamento de proteção pessoal

Utilize sempre equipamento de proteção pessoal adequado durante o funcionamento do produto. Isto inclui, no mínimo, calçado resistente, proteção ocular e protetores acústicos. O equipamento de proteção pessoal não elimina o risco de ferimentos, mas pode reduzir a sua gravidade em caso de acidente.

- Utilize sempre óculos de segurança ou proteção ocular durante o funcionamento do produto ou ao efetuar ajustes ou reparações.
- Utilize sempre vestuário de inverno adequado ao utilizar o produto.
- Utilize sempre botas resistentes e antiderrapantes com bom apoio do tornozelo enquanto utiliza o produto.

- Não use roupas largas que possam ficar presas nas peças em movimento.
- Utilize luvas de proteção aprovadas, se necessário. Por exemplo, ao fixar, examinar ou limpar a lâmina.
- Utilize sempre proteção auditiva aprovada enquanto opera o produto. A exposição prolongada a ruído pode causar perda da capacidade auditiva.

## Dispositivos de segurança no produto

- Certifique-se de que realiza regularmente tarefas de manutenção do produto.
  - A vida útil do produto é aumentada.
  - O risco de acidentes é reduzido.

Leve regularmente o produto a um concessionário autorizado ou a um centro de assistência autorizado para que o examinem e realizem ajustes ou reparações.

- Não utilize o produto com equipamento de proteção danificado. Se o produto estiver danificado, fale com um centro de assistência autorizado.

## Silenciador

O silenciador mantém o mais baixo nível de ruído possível e afasta os gases de escape do utilizador.

Não utilize o produto se o silenciador estiver defeituoso ou estiver em falta. Um silenciador defeituoso aumenta o nível de ruído e o risco de incêndio.



**ATENÇÃO:** O silenciador fica muito quente durante e após a utilização e quando o motor funciona ao ralenti. Tenha cuidado junto de materiais inflamáveis e/ou vapores para evitar incêndios.

## Segurança no manuseamento do combustível



**ATENÇÃO:** Leia as instruções de aviso que se seguem antes de utilizar o produto.

- Não ligue o produto se houver combustível ou óleo do motor sobre o produto. Remova o combustível/ óleo indesejado e deixe o produto secar.
- Se derramar combustível na sua roupa, troque de roupa imediatamente.
- Não deixe que o combustível entre em contacto com o seu corpo, pois pode causar ferimentos. Se o combustível entrar em contacto com o seu corpo, use sabão e água para o remover.
- Não ligue o produto se o motor tiver uma fuga. Examine regularmente o motor quanto a fugas.
- Tenha cuidado com o combustível. O combustível é inflamável e os gases são explosivos e podem causar ferimentos ou morte.
- Não respire os gases do combustível, podem causar ferimentos. Certifique-se de que existe um fluxo de ar suficiente.

- Não fume perto de combustível ou do motor.
- Não coloque objetos quentes perto do combustível ou do motor.
- Não acrescente combustível com o motor em funcionamento.
- Certifique-se de que o motor está frio antes de reabastecer.
- Antes de reabastecer, abra lentamente a tampa do depósito de combustível e liberte a pressão com cuidado.
- Não adicione combustível ao motor numa área interior. O fluxo de ar insuficiente pode causar ferimentos ou morte devido a asfixia ou monóxido de carbono.
- Aperte completamente a tampa de depósito de combustível. Se a tampa de depósito de combustível não estiver apertada, existe um risco de incêndio.
- Desloque o produto a uma distância mínima de 3 m (10 pés) da posição onde abasteceu o depósito antes de começar.
- Não encha totalmente o depósito de combustível. O calor provoca a expansão do combustível. Mantenha um espaço na parte superior do depósito de combustível.

## Aviso de produtos químicos



**ATENÇÃO:** Os gases de escape do motor deste produto contêm produtos químicos identificados pelo estado da Califórnia como causadores de cancro, malformações congénitas e outros problemas do sistema reprodutor. Para obter mais informações, visite [www.P65Warnings.ca.gov](http://www.P65Warnings.ca.gov).

## Instruções de segurança para manutenção



**ATENÇÃO:** Leia as instruções de aviso que se seguem antes de utilizar o produto.

- Os gases de escape do motor contêm monóxido de carbono, um gás inodoro, tóxico e altamente perigoso. Não ligue o motor em zonas interiores ou em espaços fechados.
- Antes de proceder à manutenção do produto, desligue o motor e retire o cabo de ignição da vela de ignição.
- Use luvas de proteção quando realizar a manutenção das lâminas. As lâminas são muito afiadas e podem facilmente provocar cortes.
- A utilização de acessórios e a realização de alterações no produto que não sejam aprovadas pelo fabricante podem causar ferimentos graves ou morte. Não altere o produto. Utilize sempre acessórios que sejam aprovados pelo fabricante.

- Se a manutenção não for realizada de forma correta e regular, o risco de ferimentos e danos no produto aumenta.
- Realize apenas tarefas de manutenção indicadas neste manual do utilizador. Todas as outras

operações de manutenção devem ser realizadas por uma oficina autorizada.

- Leve o produto regularmente a uma oficina autorizada para realizar a manutenção.
- Substitua as peças danificadas, gastas ou partidas.

## Montagem



**ATENÇÃO:** Certifique-se de que lê e compreende o capítulo sobre segurança antes de montar o produto.

### Instalar os punhos

1. Retire os 4 parafusos flangeados M8x25 (A) da caixa.
2. Utilize os 4 parafusos flangeados M8x25 (A), os 4 espaçadores de mola (B) e os 4 espaçadores planos (C).
3. Instale o punho inferior (D) nos 2 orifícios de cada lado da caixa. (Fig. 25)
4. Utilize os 3 parafusos de bloqueio M8x50 (A) do punho, os 3 espaçadores (B), os 3 botões do punho (C) e as 3 porcas de bloqueio (D).
5. Instale o punho superior com o painel de controlo (E) no punho inferior. (Fig. 26)

### Montar o defletor da calha

1. Retire o disco do rotor (B) e os 6 parafusos flangeados sextavados (D) da caixa.
2. Fixe o disco do rotor (B) e o defletor da calha (A) na base da calha usando 3 blocos de limite (C).
3. Utilize 6 parafusos flangeados sextavados (D) e 6 porcas de fixação (E) para bloquear os blocos de limite (C). (Fig. 27)

### Montar o rotor da calha

1. Monte a extremidade dianteira do rotor da calha.
2. Instale o casquilho plástico (B) na extremidade dianteira do rotor da calha.
3. Fixe o rotor da calha com 1 espaçador plano (A) e 1 gancho (C). (Fig. 28)
4. Monte a extremidade traseira do rotor da calha.
5. Utilize 1 porca de fixação M8 (A), 1 manípulo do punho de fixação de plástico (B), 2 espaçadores

curvos (C) e 1 nível de parafuso (D) para montar o rotor da calha.

6. Utilize 1 porca sextavada M8 (E) para fixar o rotor da calha (F) nos orifícios do punho. (Fig. 29)

### Montar a biela de controlo da velocidade de condução

1. Instale a extremidade dobrada longa da biela de controlo da velocidade de condução (A) no painel de controlo e fixe-a com 1 mola da haste de ligação (B), 1 espaçador plano (C) e 1 contrapino (D). (Fig. 30)
2. Puxe a placa de ligação das mudanças (B) para cima e instale a extremidade dobrada curta da biela de controlo da velocidade de condução (A). Fixe a biela de controlo da velocidade de condução (A) com 1 espaçador plano (C) e 1 contrapino (D). (Fig. 31)
3. Se necessário, estenda a biela de controlo da velocidade de condução. Desaperte as porcas de fixação do tensor e rode-o. Aperte novamente o tensor na sua localização original para obter um controlo de velocidade adequado. A localização original está marcada nas roscas. (Fig. 32)

### Montar os cabos de transmissão e a broca

1. Retire os 2 parafusos do cabo (B) dos cabos (D).
2. Fixe os 2 parafusos do cabo (B) nos orifícios dos punhos esquerdo e direito (A). (Fig. 33)
3. Fixe os cabos (D) aos parafusos do cabo (B).
4. Ligue e bloqueie o encaixe de rosca do cabo do lado esquerdo e direito (D) e o parafuso do cabo (B) até que a parte superior da porca de fixação de latão (C) esteja alinhada com a marca nas roscas (E).
5. Fixe o cabo com a porca de fixação de latão (C).

## Funcionamento



**ATENÇÃO:** Antes de utilizar o produto, deverá ler atentamente e compreender o capítulo de segurança e as instruções de utilização.

### Antes de ligar o produto

- Mantenha as pessoas e os animais afastados da área de trabalho.
- Efetue a manutenção diária. Consulte o capítulo *Esquema de manutenção na página 310*.

- Assegure-se que a bobina de ignição fica bem colocada sobre a vela de ignição.
- Adicione óleo ou gasolina, se necessário. Consulte o capítulo *Encher o motor com óleo na página 309*.

## Encher o motor com óleo



**CUIDADO:** Não rode a vareta do óleo quando verificar o óleo. Não encha acima da marca.

1. Retire o tampão do óleo e limpe a vareta. Consulte *Vista geral do produto na página 302* para obter a localização da vareta.
2. Encha com óleo até à marca superior da vareta. Utilize a vareta para efetuar uma verificação do nível do óleo regularmente.
3. Volte a colocar o tampão do óleo.

## Encher o depósito de combustível

Se disponível, utilize gasolina com base em alquilatos/ecológica. Se não estiver disponível gasolina com base em alquilatos/ecológica, utilize gasolina sem chumbo de boa qualidade. Utilize gasolina com um índice de octanas de 90 RON fora da América do Norte (87 (R +M)/2 na América do Norte) ou superior e com, no máximo, 10% de etanol (E10).



**CUIDADO:** Não utilize gasolina com um índice de octanas inferior a 90 RON fora da América do Norte (87 (R+M)/2 na América do Norte). Caso contrário, pode causar danos no produto.

1. Abra a tampa do depósito de combustível devagar para libertar a pressão.
2. Encha lentamente com um recipiente de combustível. Se derramar combustível, retire-o com um pano e deixe o combustível restante secar.
3. Limpe bem à volta da tampa do depósito de combustível.
4. Aperte completamente a tampa de depósito de combustível. Se a tampa de depósito de combustível não estiver apertada, existe um risco de incêndio.
5. Desloque o produto a uma distância mínima de 3 m (10 pés) da posição onde abasteceu o depósito antes de começar.

## Ajustar o defletor da calha

A direção na qual a neve deve ser limpa é controlada pelo controlo do rotor da calha que está instalado no punho do lado esquerdo.

1. Rode o controlo do rotor da calha para definir o sentido de rotação de limpeza da neve.
2. Rode o controlo do rotor da calha para a direita para limpar neve para a direita.

3. Rode o controlo do rotor da calha para a esquerda para limpar a neve para a esquerda. (Fig. 34)
4. Desloque o defletor angular para cima ou para baixo para ajustar a distância de limpeza da neve. (Fig. 35)

## Arrancar o motor

1. Solte o engate da transmissão. Coloque a alavanca de controlo da velocidade de condução na primeira posição.
2. Rode o interruptor de combustível para a posição ON. (Fig. 36)
3. Coloque o estrangulador na posição FECHADO. (Fig. 37)
4. Coloque a chave de ON/OFF na posição de ARRANQUE. (Fig. 38)
5. Prima o acionador 1-3 vezes para ligar a bomba auxiliar. Utilize a bomba auxiliar para o arranque a frio a baixas temperaturas. (Fig. 39)
6. Puxe o punho de arranque de recuo. (Fig. 40)



**CUIDADO:** Não solte rapidamente o punho de arranque de recuo. Coloque-a lentamente na posição inicial.

**Nota:** Se o punho de arranque de recuo tiver congelado, puxe lentamente o máximo de cabo possível do motor de arranque e liberte o punho de arranque de recuo. Se o motor não arrancar, repita o procedimento ou utilize o motor de arranque elétrico.

7. Mantenha o motor em funcionamento durante 30-40 minutos à velocidade de ralenti antes de começar a limpar neve.
8. Quando o motor estiver quente, desloque lentamente o estrangulador para a posição ABERTO. (Fig. 41)

## Arrancar o motor, arranque elétrico



**ATENÇÃO:** O produto possui um motor de arranque elétrico de 230 V CA. Não utilize o motor de arranque elétrico se a sua casa não possuir um sistema de ligação à terra de 230 V CA. Podem ocorrer ferimentos pessoais graves ou danos ao produto. O motor de arranque elétrico tem uma ficha de alimentação de três fios para funcionamento com uma corrente doméstica de 230 V CA. Certifique-se de que a sua casa possui um sistema de ligação à terra de 230 V CA. Se tiver dúvidas, consulte um electricista.

**Nota:** Utilize um cabo de extensão recomendado para utilização no exterior, com um tamanho de fio não inferior a 16 AWG (1,5 mm<sup>2</sup>) e não superior a 50 pés (15 m).

1. Solte o engate da transmissão. Coloque a alavanca de controlo da velocidade de condução na primeira posição.
2. Rode o interruptor de combustível para a posição ON. (Fig. 36)
3. Coloque o estrangulador na posição FECHADO. (Fig. 37)
4. Coloque a chave de ON/OFF na posição de ARRANQUE. (Fig. 38)
5. Prima o acionador 1-3 vezes para ligar a bomba auxiliar. Utilize a bomba auxiliar para o arranque a frio a baixas temperaturas. (Fig. 39)
6. Ligue o produto à alimentação. (Fig. 42)
7. Prima e mantenha premido o botão de arranque na caixa de controlo durante 5 segundos. (Fig. 43)
8. Se o motor não arrancar, aguarde 5 segundos e, em seguida, prima novamente o botão de arranque.



**CUIDADO:** Não tente ligar o motor mais de 10 vezes. Após 10 vezes, aguarde 40 minutos antes de tentar novamente.

9. Desligue o cabo de alimentação do produto quando o motor for iniciado.
10. Mantenha o motor em funcionamento durante 30-40 minutos à velocidade de ralenti antes de começar a limpar neve.
11. Quando o motor estiver quente, desloque lentamente o estrangulador para a posição ABERTO. (Fig. 41)

## Utilizar o produto

1. Aperte o engate da broca no punho para acionar a broca e limpar neve. (Fig. 44)
2. Mova a alavanca de controlo da velocidade de condução para a esquerda para utilizar o produto para a frente. Mova a alavanca de controlo da velocidade de condução para a direita para utilizar o produto para trás. (Fig. 45)
3. Utilize o engate da transmissão com o punho direito.
4. Aperte o engate da transmissão no punho para engatar as rodas motrizes. O produto desloca-se

para a frente ou para trás, dependendo da localização da alavanca de controlo da velocidade de condução. (Fig. 46)

## Desligar o produto

**Nota:** Para desligar o motor em caso de emergência, retire a chave de ON/OFF.

1. Solte o engate da transmissão para parar as rodas motrizes.
2. Solte o engate da broca para desengatar a broca e parar de limpar neve. (Fig. 47)
3. Rode o interruptor de combustível para a posição OFF. (Fig. 48)
4. Retire a chave de ON/OFF. (Fig. 49)

## Para obter bons resultados

- Trabalhe com o motor sempre na aceleração total ou quase total.
- Adapte sempre a velocidade do produto para a situação de neve e ajuste a velocidade com a alavanca de controlo da velocidade de condução. Certifique-se de que o produto limpa a neve uniformemente.
- É mais fácil e mais eficaz tirar neve imediatamente após esta ter caído.
- Elimine sempre a neve contra o vento.
- Em superfícies planas, como estradas alcatroadas, eleve as placas de deslizamento até 5-6 mm (0,2-0,25 pol.) do chão.
- A lâmina do raspador é reversível. Quando esta ficar gasta quase até à extremidade do alojamento, vire-a ao contrário. Substitua a barra do raspador se esta estiver danificada ou se ambos os lados estiverem gastos.
- Não ative o defletor da calha se este estiver obstruído.
- Se o produto não avançar devido a circunstâncias imprevistas, liberte o engate da transmissão imediatamente ou desloque a chave de LIGAR/DESLIGAR para a posição "OFF".

## Manutenção

### Esquema de manutenção

Manutenção	Diariamente	20 horas	50 horas	100 horas
Certifique-se de que as porcas e os parafusos estão apertados	X			
Verifique o nível do óleo de motor	X			

Manutenção	Diariamente	20 horas	50 horas	100 horas
Mude o óleo <sup>109</sup>		X	X	X
Certifique-se de que não existem fugas de óleo nem de combustível	X			
Elimine a obstrução, objetos estranhos na broca	X			
Verifique a pressão dos pneus <sup>110</sup>			X	
Verifique e troque a vela de ignição <sup>111</sup>				X

**Nota:** Não é necessário adicionar massa lubrificante ou fazer outro tipo de manutenção à caixa de velocidades.

## Para efetuar uma inspeção geral

- Certifique-se de que todas as porcas e os parafusos do produto estão apertados corretamente.

## Para verificar o nível do óleo



**CUIDADO:** Um nível de óleo demasiado baixo causa danos no motor. Verifique o nível do óleo antes de ligar o produto.

1. Coloque o produto num piso nivelado.
2. Remova a tampa do depósito de óleo juntamente com a vareta de nível.
3. Limpe o óleo da vareta de nível.
4. Coloque a vareta de nível completamente dentro do depósito de óleo para obter uma imagem correta do nível do óleo.
5. Remova a vareta de nível.
6. Examine o nível do óleo na vareta de nível.
7. Se o nível do óleo estiver baixo, encha com óleo de motor e verifique novamente o nível do óleo.

## Substituir o óleo de motor

1. Deixe o motor funcionar durante alguns minutos para o óleo aquecer. O óleo quente flui melhor e inclui mais contaminantes.



**ATENÇÃO:** O óleo do motor está quente. Evite o contacto da pele com o óleo de motor usado.

2. Coloque o produto num piso nivelado.

3. Deixe o motor a trabalhar até que todo o combustível tenha sido esgotado.
4. Retire a chave da ignição.
5. Coloque um recipiente sob o bujão de drenagem do óleo.
6. Retire o bujão de drenagem do óleo, incline o produto para trás e drene o óleo usado para o recipiente. (Fig. 50)
7. Coloque novamente o produto na posição de funcionamento.
8. Coloque o bujão de drenagem do óleo e aperte-o manualmente.
9. Encha o motor com óleo, consulte *Encher o motor com óleo na página 309*.

## Examinar a vela de ignição



**CUIDADO:** utilize sempre o tipo de vela de ignição recomendado. Um tipo de vela de ignição incorreto pode provocar danos no produto.

- Examine a vela de ignição para verificar se o motor apresenta uma potência reduzida ou dificuldades de arranque, ou se não funciona corretamente ao ralenti.
- Para diminuir o risco de materiais indesejados nos elétrodos da vela de ignição, siga estas instruções:
  - a) Assegure-se de que a rotação em vazio está corretamente regulada.
  - b) Certifique-se de que o tipo de combustível está correto.
  - c) Certifique-se de que o filtro de ar está limpo.
- Se a vela de ignição estiver suja, limpe-a e certifique-se de que a distância entre os elétrodos

<sup>109</sup> Mude o óleo após as primeiras 20 h, 50 h, 100 h e, posteriormente, a cada 100 h.

<sup>110</sup> Consulte as Especificações técnicas para obter a pressão correta dos pneus.

<sup>111</sup> Verifique e limpe a vela de ignição antes de utilizar todos os anos.

está correta; consulte *Especificações técnicas na página 316*. (Fig. 51)

- Se for necessário, substitua a vela de ignição.

## Verificar as brocas e a lâmina do raspador

1. Antes de cada utilização, inspecione as brocas e a lâmina do raspador quanto a desgaste.
2. Se a extremidade da lâmina do raspador estiver desgastada, inverta o sentido da lâmina do raspador. Se a lâmina do raspador tiver danos ou estiver desgastada em ambas as extremidades, substitua-a.
3. Se as extremidades das brocas estiverem desgastadas, contacte um centro de assistência autorizado e solicite a sua substituição.

## Ajustar as placas de deslize

As placas de deslize evitam danos na parte inferior do soprador de neve. Ajuste as placas de deslize (A) quando a porca de fixação (B) está desapertada, ou a placa de deslize não se encontra na distância correta a partir do solo. Não são necessários ajustes para a instalação normal.

1. Desaperte a porca de fixação (B) com uma chave de bocas de 13 mm (½ pol.).
2. Desloque as placas de deslize (A) para cima ou para baixo.
  - a) Em superfícies planas, defina a distância entre a lâmina do raspador e o solo para 5-6 mm (0,2-0,25 pol.).
  - b) Em superfícies rugosas, coloque as placas de deslize (A) numa posição em que a lâmina do raspador fique por cima do solo.



**ATENÇÃO:** Certifique-se de que a gravilha e pedras não entram no produto. Objetos que são projetados a alta velocidade podem provocar ferimentos.

3. Aperte a porca de fixação (B). (Fig. 52)

## Substituir o perno de segurança

O perno de segurança protege o produto contra danos. Este parte se um objeto estranho entrar nas peças móveis.

1. Se o perno de segurança partir, desligue o motor.
2. Fixe um novo perno de segurança (A) e uma nova mola de braçadeira (B). (Fig. 53)

## Examinar os pneus

- Mantenha os pneus sem combustível, óleo e químicos para evitar danos na borracha.
- Mantenha os pneus afastados de cepos, pedras, sulcos, objetos afiados e outros objetos que possam provocar danos aos pneus.
- Mantenha a pressão dos pneus correta, consulte *Especificações técnicas na página 316*.

## Eliminar uma obstrução de um defletor da calha de descarga

Não desobstrua o defletor da calha de descarga antes de efetuar as seguintes operações.

1. Liberte o engate da broca e o engate da transmissão ao mesmo tempo.
2. Aguarde 10 segundos para se certificar de que as brocas pararam.
3. Pare o produto.
4. Utilize a ferramenta de limpeza (com pelo menos 37 cm [15 pol.]), incluída nalguns modelos para eliminar a obstrução.



**ATENÇÃO:** Não coloque as mãos no defletor da calha de descarga ou no interior do balde da broca.

## Limpar o produto

- Limpe os componentes plásticos com um pano seco e limpo.
- Não utilize uma máquina de lavar à pressão para limpar o produto.
- Não verta água diretamente no motor.
- Utilize uma escova para remover folhas, relva e sujidade.



## Resolução de problemas

### Resolução de problemas

Problema	Causa possível	Solução
O produto não liga	A chave de ignição de segurança não está inserida.	Insira a chave de ignição de segurança.
	O produto não tem combustível.	Encha o depósito de combustível com gasolina limpa.
	A chave de ON/OFF está desligada.	Desloque a chave de ON/OFF para a posição ON.
	O estrangulador está na posição OFF (FECHADO).	Desloque o estrangulador para a posição ON (TOTAL, ABERTO).
	A bomba de combustível não está premida.	Prima a bomba de combustível.
	O motor está encharcado.	Aguarde alguns minutos antes de voltar a arrancar, NÃO prima a bomba.  Volte a arrancar o motor com aceleração total e o estrangulador na posição OFF (FECHADO).
	O cabo da vela de ignição não está ligado.	Ligue o cabo à vela de ignição.
	A vela de ignição está avariada.	Substitua a vela de ignição.
	Existe água no combustível ou o combustível é demasiado antigo.	Esvazie o depósito de combustível e o carburador. Encha o depósito de combustível com gasolina limpa.
	Existe vapor preso na linha de combustível.	Certifique-se de que toda a linha de combustível está abaixo da saída do depósito de combustível. A linha de combustível deve seguir continuamente do depósito de combustível para o carburador.
	Outras causas.	Consulte os procedimentos de arranque cuidadosamente neste manual.
	O interruptor do combustível (se equipado) está na posição FECHADO (OFF).	Rode o interruptor do combustível para a posição ABERTO (ON).
O acelerador na posição STOP.	Desloque o acelerador para a posição FAST.	

<b>Problema</b>	<b>Causa possível</b>	<b>Solução</b>
Potência reduzida	O cabo da vela de ignição não está ligado.	Ligue o cabo à vela de ignição.
	O produto limpa demasiada neve.	Reduza a velocidade e largura da faixa.
	O tampão do depósito de combustível está coberto de gelo ou neve.	Retire o gelo e a neve do tampão do depósito de combustível e à volta do mesmo.
	O silenciador está sujo ou obstruído.	Limpe ou substitua o silenciador.
	Comprimento do cabo inadequado.	Ajuste o cabo.
	O silenciador está obstruído.	Certifique-se de que o motor está frio. Elimine a obstrução.
	A admissão de ar do carburador está bloqueada.	Certifique-se de que o motor está frio. Elimine a obstrução.
O motor funciona ao ralenti ou com dificuldade	O estrangulador está na posição ON (TOTAL, ABERTO).	Desloque o estrangulador para a posição OFF (FECHADO).
	A linha de combustível está obstruída.	Limpe a linha de combustível.
	Existe água no combustível ou o combustível é demasiado antigo.	Esvazie o depósito de combustível e o carburador. Encha o depósito de combustível com gasolina limpa.
	O carburador tem de ser substituído.	Entre em contacto com centro de assistência autorizado.
	A correia está esticada.	Substitua a correia em V da broca.
Vibração excessiva/movimento do punho	Algumas peças estão soltas. As brocas estão danificadas.	Aperte todos os fixadores. Substitua as peças danificadas. Se a vibração se manter, contacte um centro de assistência autorizado.
	Os punhos não estão posicionados corretamente.	Certifique-se de que os punhos estão bloqueados na devida posição.
	As porcas da alavanca de ajuste estão soltas.	Aperte as porcas até que o punho pareça seguro.
O punho de arranque de recuo é difícil de puxar	O punho de arranque de recuo está congelado.	Puxe lentamente o máximo de cabo possível do motor de arranque e liberte o punho de arranque de recuo. Se o motor não arrançar, repita o procedimento ou utilize o motor de arranque elétrico.
	O cabo está a interferir com os componentes.	O cabo de recuo não deve tocar em quaisquer cabos ou mangueiras.

<b>Problema</b>	<b>Causa possível</b>	<b>Solução</b>
Perda de tração/abrandamento da velocidade de condução	A correia desliza.	Ajuste o cabo. Ajuste a correia.
	A correia está desgastada.	Verifique/substitua a correia.
Perda de descarga de neve ou abrandamento da descarga da neve	A correia está fora da polia.	Verifique/recoloque a correia.
	O defletor da calha está obstruído.	Limpe o defletor da calha.
	Os objetos estranhos obstruem as brocas.	Retire os resíduos ou os objetos estranhos das brocas.
	O perno de segurança está partido.	Substitua o perno de segurança partido.
	Excesso de neve e acumulação de gelo entre os componentes da faixa.	Retire o excesso de neve e acumulação de gelo de entre os componentes da faixa.
	O pinhão de fricção está desgastado.	Entre em contacto com centro de assistência autorizado.
Falha na rotação da broca após libertação do punho	A correia da transmissão não está alinhada.	Ajuste a correia da transmissão.
	O defletor de carga não está alinhado.	Ajuste o defletor de descarga.
As luzes não estão ligadas (se equipadas)	O motor não está a funcionar.	Ligue o motor.
	A ligação do cabo está solta.	Verifique as ligações do cabo no motor e as luzes.
	O LED está queimado.	Substitua o módulo de luz LED. Os LED individuais não podem ser substituídos.
O rotor da calha é difícil de deslocar	Existem resíduos no mecanismo de rotação da calha.	Limpe as peças internas do mecanismo de rotação da calha.
	Os cabos estão torcidos ou danificados.	Certifique-se de que os cabos não estão torcidos. Substitua os cabos danificados.
O produto vira para um dos lados	A pressão dos pneus não está equilibrada.	Ajuste a pressão dos pneus e encha os pneus.
	O produto trabalha apenas com uma roda.	Verifique o pino de bloqueio do pneu.
	Ajuste irregular do trenó.	Ajuste as placas de deslize e o trenó.
	Ajuste irregular das placas de deslize.	Ajuste as placas de deslize e o trenó.

## Transporte, armazenamento e eliminação

### Transporte e armazenamento

- Para o transporte e armazenamento do produto e do combustível, certifique-se de que não existem fugas ou fumos. Faíscas ou chamas abertas, por exemplo de dispositivos elétricos ou mesmo caldeiras, podem causar um incêndio.
- Utilize recipientes aprovados para o transporte e armazenamento de combustível.
- Esvazie o depósito de combustível antes de armazenar o produto durante um longo período de tempo.
- Se o depósito de combustível do carburador tiver um bujão de drenagem, esvazie o combustível do carburador antes de armazenar o produto durante um longo período de tempo.
- Fixe o produto de forma segura durante o transporte para evitar danos e acidentes.

- Mantenha o produto numa área trancada para impedir o acesso a crianças ou pessoas que não disponham de aprovação.
- Mantenha o produto num local seco e sem gelo.
- Elimine todos os produtos químicos, como, por exemplo, óleo de motor ou combustível, num centro de assistência ou num local de eliminação aplicável.
- Elimine o produto num local de eliminação aprovado ou envie-o para Husqvarna para eliminação.

## Eliminação

- Respeite os regulamentos aplicáveis e os requisitos locais.

# Especificações técnicas

## Especificações técnicas

	ST 124
<b>Dimensões</b>	
Peso, com depósitos vazios, kg	76
Pressão máxima de funcionamento dos pneus, PSI	20
Altura de admissão, cm	53,3
Largura de funcionamento, cm	61
<b>Motor</b>	
Marca	Husqvarna
Potência nominal do motor, kW	4,3
Cilindrada, cc	212
Tipo de combustível	Sem chumbo normal (teor máximo de etanol de 10%)
Capacidade de combustível, galão/l	0,58/2,2
Tipo de óleo (API SJ-SN)	SAE 5W30 (inferior a 0 °C [32 °F])
Capacidade de óleo fl oz/l	20/0,6
<b>Sistema elétrico</b>	
Vela de ignição	F7RTC
Distância entre os eletrodos da vela de ignição (mm/pol.)	0,027-0,031/0,7-0,8
<b>Emissões de ruído</b> <sup>112</sup>	
Nível de potência sonora, dB(A) medidos	100
Nível de potência sonora, garantido L <sub>WA</sub> dB(A)	102
<b>Níveis acústicos</b> <sup>113</sup>	
Nível de pressão sonora ao nível do ouvido do utilizador, L <sub>PA</sub> dB(A)	86

<sup>112</sup> Emissões de ruído para as imediações, medidas sob forma de potência sonora (L<sub>WA</sub>) em conformidade com as diretivas da CE 2000/14/CE e 2005/88/CE. Os dados comunicados relativamente às emissões de ruído têm uma dispersão estatística típica (desvio padrão) de 1,5 dB(A). Incerteza=1,5 dB(A)

<sup>113</sup> Nível de pressão sonora em conformidade com a norma EN ISO 11201. Os dados comunicados relativamente ao nível de pressão de ruído têm uma dispersão estatística típica (desvio padrão) de 1,5 dB(A). Incerteza=1,5 dB(A)

	<b>ST 124</b>
<b>Níveis de vibração, <math>a_{Hveq}</math><sup>114</sup></b>	
Nível de vibração no punho, lado esquerdo/direito	4,15/4,08

---

<sup>114</sup> Nível de vibração em conformidade com a norma ISO 8437-4, Anexo B. Incerteza=1,5 m/s<sup>2</sup>

# Declaração CE de conformidade

## CONTEÚDO DA DECLARAÇÃO DE CONFORMIDADE DA UE

A Husqvarna, SE-561 82 Huskvarna, SUÉCIA, declara, sob sua inteira responsabilidade, que o produto representado:

Descrição	Soprador de neve
Marca	Husqvarna
Plataforma/Tipo/Modelo	ST 124
Lote	Número de série referente 2020 e posteriores

está em plena conformidade com as seguintes diretivas e regulamentos da UE:

Diretiva/Regulamento	Descrição
2006/42/CE	"relativa a máquinas"
2014/30/UE	"relativa à compatibilidade eletromagnética"
2000/14/CE; 2005/88/CE	"relativa ao ruído exterior"
2011/65/UE	"restrição do uso de determinadas substâncias perigosas"

As normas harmonizadas e/ou especificações técnicas aplicadas são as seguintes: EN ISO 12100:2010, EN ISO 14982:2009, ISO 8437-1:2019, ISO 8437-2:2019, ISO 8437-4:2019, ISO 3744:1995, EN 1032:2003+A1:2008, EN 50581:2012

Em conformidade com a Diretiva 2000/14/CE +2005/88/CE, Anexo V, os valores de som declarados são indicados na secção de especificações técnicas deste manual e na Declaração de conformidade da CE assinada.

O soprador de neve fornecido está em conformidade com o exemplo que foi examinado.

Em nome da Husqvarna AB, SE-561 82 Huskvarna, SUÉCIA, 2020-02-07



Claes Losdal

Pessoa responsável pela compilação dos ficheiros técnicos estabelecidos na UE

---

# CUPRINS

---

Introducere.....	319	Depanarea.....	330
Siguranță.....	320	Transportul, depozitarea și eliminarea.....	332
Asamblarea.....	325	Date tehnice.....	333
Funcționare.....	326	Declarație de conformitate CE.....	335
Întreținerea.....	328		

---

## Introducere

---

### Prezentarea generală a produsului

(Fig. 1)

1. Activarea melcului
2. Levier de control viteză de transmisie
3. Panou control
4. Cablu melc
5. Control al dispozitivului de rotire al pantei
6. Deflector pantă
7. Unealtă pentru curățare
8. Carcasă melc
9. Melci
10. Placa de alunecare
11. Pneu
12. Umplere ulei
13. Motor
14. Mâner inferior
15. Tijă de control viteză de deplasare
16. Cablu transmisie
17. Mânerul șnurului demarorului
18. Maneta de activare a transmisie
19. Mânere
20. Demaror
21. Șoc
22. Întrerupător pentru carburant
23. Cheie de pornire/oprire
24. Manualul operatorului

### Descrierea produsului

Produsul este o freză de zăpadă care se utilizează pentru îndepărtarea zăpezii de pe sol.

### Domeniul de utilizare

Acest produs poate fi utilizat pentru îndepărtarea zăpezii de pe câmpuri, drumuri, alei și căi de acces. Nu o utilizați pe pante cu înclinația mai mare de 15°. Nu utilizați produsul în zone în care există multe resturi, murdărie și pietre care ies din sol.

### Symbols on the product

---

**Nota:** If the decals on the product are damaged, contact the distributor to replace them.

---

- (Fig. 2) Warning.
- (Fig. 3) Read the operator's manual.
- (Fig. 4)
- (Fig. 5) Hot surface.
- (Fig. 6) Risk of fire.
- (Fig. 7) Choke.
- (Fig. 8) Pull starter rope handle.
- (Fig. 9) Do not breathe in the exhaust fumes from the engine.
- (Fig. 10) Do not put any part of the body into the chute deflector or the auger housing when the augers rotate.
- (Fig. 11) Stop the engine before you remove snow from the chute deflector. Use the clean-out tool to remove snow, do not do it by hand.
- (Fig. 12)
- (Fig. 11) Keep hands away from the chute deflector.
- (Fig. 13) Objects can be ejected from the product.
- (Fig. 14) Keep bystanders away from the product when operating.
- (Fig. 15) Remove key before maintenance.
- (Fig. 16) Push in the on/off key to the RUN position.
- (Fig. 17) Turn the fuel switch to the ON position.
- (Fig. 18) Push the primer.
- (Fig. 19) Risk of falling.

- (Fig. 20) Move slowly rearward.
- (Fig. 21) Use approved protective gloves.
- (Fig. 22) Use a protective helmet. Use approved hearing protection. Use approved eye protection.
- (Fig. 23) Noise emissions to the environment according to European Directive 2000/14/EC and New South Wales legislation "Protection of the Environment Operations (Noise Control) Regulation 2017". Noise emission data can be found on the machine label and in the Technical data chapter.
- (Fig. 24) European machinery directive for safety.

**Nota:** Other symbols/decals on the product refer to certification requirements for some markets.

## Emisiile de Euro V



**AVERTISMENT:** În urma modificării neautorizate a motorului, este anulată aprobarea de tip UE pentru acest produs.

## Siguranță

### Definiții privind siguranța

Definițiile de mai jos indică nivelul de gravitate pentru fiecare cuvânt de semnalizare.



**AVERTISMENT:** Vătămări corporale.



**ATENȚIE:** Deteriorarea produsului.

**Nota:** Aceste informații facilitează utilizarea produsului.

### Practici de utilizare în siguranță pentru frezele de zăpadă controlate de operatori-pietoni.

#### Informații generale

Acest utilaj poate amputa mâini și picioare și poate arunca obiecte. Nerespectarea următoarelor instrucțiuni referitoare la siguranță poate cauza răni grave.

#### Instruirea

- Trebuie să citiți, să înțelegeți și să urmați toate instrucțiunile de pe aparat și din manual(e) înainte de a pune în funcțiune acest aparat. Trebuie să fiți pe deplin familiarizați cu comenzile și cu utilizarea

## Producător

Husqvarna AB

Drottninggatan 2, SE-561 82 Huskvarna

## Răspunderea pentru produs

Conform prevederilor legislației privind răspunderea pentru produs, nu ne asumăm răspunderea pentru daunele cauzate de produsul nostru dacă:

- produsul este reparat necorespunzător;
- produsul este reparat cu piese care nu provin de la producător sau care nu sunt aprobate de acesta;
- produsul are un accesoriu care nu provine de la producător sau care nu este aprobat de acesta;
- produsul nu este reparat la un centru de service omologat sau de o autoritate omologată;

corectă a aparatului. Trebuie să știți să oprți aparatul și să dezactivați rapid comenzile.

- Nu lăsați niciodată copiii să folosească mașina. Nu permiteți niciodată adulților să pună în funcțiune utilajul fără o instruire corespunzătoare.
- Aveți grijă ca în zona de lucru să nu pătrundă nicio persoană, mai ales copii mici.
- Trebuie să aveți grijă și să evitați să alunecați sau să cădeți, mai ales când utilizați utilajul în marșarier.

#### Pregătirea

- Inspectați temeinic zona în care urmează să fie folosit utilajul și înlăturați toate covorașele de la intrare, săniile, scândurile, cablurile și alte obiecte străine.
- Decuplați toate ambreiajele și treceți în punctul mort înainte de a porni motorul.
- Nu utilizați utilajul fără a purta îmbrăcăminte adecvată pentru iarnă. Evitați să purtați haine largi, care se pot prinde în piesele în mișcare. Purtați încălțăminte care să îmbunătățească aderența pe suprafețele alunecoase.
- Purtați întotdeauna ochelari de protecție sau vizieră în timpul utilizării, al efectuării reglărilor ori reparațiilor, pentru a proteja ochii de obiectele străine care ar putea fi aruncate de aparat.
- Mânuiți combustibilul cu grijă, deoarece este foarte inflamabil.
  - Folosiiți un rezervor de carburant omologat.
  - Nu alimentați niciodată cu carburant când motorul este în funcțiune sau când este fierbinte.



- Umpleți rezervorul de carburant în aer liber, cu foarte mare grijă. Nu umpleți niciodată rezervorul cu carburant dacă vă aflați la interior.
- Nu umpleți niciodată recipientele în interiorul unui vehicul sau pe platforma unui camion sau a unei remorci cu învelitoare de plastic. Puneți întotdeauna recipientele pe sol, departe de vehiculul dvs., înainte de a alimenta.
- Pe cât posibil, scoateți utilajul care funcționează cu carburant din camion sau din remorcă și alimentați-l pe sol. Dacă acest lucru nu este posibil, atunci alimentați echipamentul în remorcă, folosind o canistră portabilă, nu un furtun de alimentare de la pompă.
- Mențineți permanent duza în contact cu marginea rezervorului de combustibil sau cu gura canistrei, până la terminarea alimentării. Nu folosiți un dispozitiv de blocare-deblocare a duzei.
- Puneți bine la loc capacul de la carburant și ștergeți carburantul revărsat.
- Dacă s-a vărsat carburant pe haine, schimbați-vă hainele imediat.
- Folosiți prelungitoare și prize specificate de producător pentru toate aparatele cu motor cu pornire electrică.
- Reglați înălțimea carcasei colectorului pentru a o ridica deasupra suprafețelor cu pietriș sau piatră sfărâmată.
- Nu încercați niciodată să efectuați reglări când motorul este în funcțiune (în afară de cazurile când acest lucru este recomandat în mod specific de către producător).

## Funcționare

- Nu puneți mâinile sau picioarele în apropierea pieselor care se rotesc sau sub acestea. Nu vă apropiați niciodată de deschiderea de evacuare.
- Procedați cu mare atenție când lucrați pe sau când traversați drumuri de acces sau alei cu pietriș. Fiți atenți în permanență la pericolele ascunse sau când lucrați în apropierea drumurilor publice.
- După ce ați lovit un obiect străin, opriți motorul, îndepărtați cablul de la bujie, deconectați cablul de alimentare în cazul motoarelor electrice, verificați amănunțit freza de zăpadă, pentru a vedea dacă nu prezintă deteriorări, și eliminați defecțiunile înainte de a reporni și de a reutiliza freza de zăpadă.
- Dacă utilajul prezintă vibrații anormale, opriți motorul și determinați imediat cauza. În general, astfel de vibrații indică probleme.
- Opriți motorul ori de câte ori părăsiți locul de utilizare, înainte de a curăța carcasa colectorului/rotorului sau panta de descărcare și când efectuați reparații, reglări sau verificări.
- Nu lăsați motorul în funcțiune în interiorul unei clădiri, în afara cazului în care îl porniți și când transportați freza de zăpadă în interiorul sau în afara clădirii. Deschideți ușile către exterior; gazele de eșapament sunt periculoase.

- Aveți foarte mare grijă când lucrați pe pante.
- Nu utilizați niciodată utilajul fără apărătorile adecvate și fără celelalte dispozitive de siguranță montate și în bună stare de funcționare.
- Nu îndreptați niciodată gura de evacuare spre persoane sau zone în care există bunuri care se pot deteriora. Nu lăsați copiii sau alte persoane să se apropie.
- Nu supraîncărcați capacitatea mașinii încercând să curățați zăpada prea repede.
- Nu utilizați niciodată aparatul cu viteze mari de deplasare pe suprafețe alunecoase. Uitați-vă în spate și aveți foarte mare grijă când lucrați în marșarier.
- Decuplați alimentarea colectorului/rotorului când utilajul este transportat sau nu este utilizat.
- Utilizați numai echipamente optionale și accesorii aprobate de fabricantul utilajului (precum greutatea pentru roți, contragreutăți sau cabine).
- Nu utilizați niciodată utilajul fără a avea o vizibilitate sau lumină bună. Păstrați-vă întotdeauna echilibrul și țineți cu fermitate mânerul. Mergeți, nu alergați niciodată.
- Nu atingeți niciodată motorul sau amortizorul de zgomot când sunt fierbinți.

## Curățarea unei pante de descărcare înfundate

- Cea mai comună cauză de răniri asociate cu frezele de zăpadă este contactul mâinilor cu rotorul în mișcare, în interiorul pantei de descărcare. Nu folosiți niciodată mâinile pentru a curăța tubul de evacuare.
- Pentru a curăța tubul:
  1. OPRIȚI MOTORUL!
  2. Așteptați 10 secunde pentru a vă asigura că lamele rotorului s-au oprit complet din rotație.
  3. Utilizați întotdeauna o unealtă pentru curățare, nu mâinile.

## Întreținerea și depozitarea

- Verificați la intervale frecvente dacă bolțurile lamelor și alte bolțuri sunt strânse corect, pentru a vă asigura că echipamentul este în stare adecvată de funcționare.
- Nu depozitați niciodată utilajul cu combustibil în rezervor în interiorul unei clădiri unde sunt prezente surse de aprindere, precum boilere fierbinți, sisteme pentru încălzirea incintelor sau uscătoare de haine. Lăsați motorul să se răcească înainte de a depozita aparatul într-un spațiu închis.
- Consultați întotdeauna manualul de instrucțiuni pentru detalii importante dacă freza de zăpadă urmează a fi depozitată pentru o perioadă extinsă.
- Reparați sau înlocuiți etichetele de siguranță, după cum este necesar.
- Lăsați utilajul să funcționeze câteva minute după aruncarea zăpezii, pentru a preveni înghețarea colectorului/rotorului.
- Când curățați, reparați sau verificați freza de zăpadă, opriți motorul și asigurați-vă că colectorul/rotorul și

toate piesele în mișcare s-au oprit. Deconectați firul bujiei și țineți-l la distanță de bujie, pentru a preveni pornirea accidentală a motorului de altă persoană.

## Instrucțiuni generale de siguranță

- Utilizați produsul în mod corespunzător. Vătămările corporale sau decesul constituie un posibil rezultat al utilizării incorecte. Utilizați produsul numai pentru operațiile din acest manual. Nu utilizați produsul pentru alte sarcini.
- Respectați instrucțiunile din acest manual. Respectați simbolurile de siguranță și instrucțiunile de siguranță. Dacă operatorul nu respectă instrucțiunile și simbolurile, pot apărea vătămări corporale, daune materiale sau decese.
- Nu aruncați acest manual. Utilizați instrucțiunile pentru a asambla, a opera și a păstra produsul în stare bună. Utilizați instrucțiunile pentru instalarea corectă a accesoriilor. Utilizați numai accesorii aprobate.
- Nu utilizați un produs deteriorat. Respectați programul de întreținere. Efectuați numai operațiile de întreținere pentru care există instrucțiuni în acest manual. Un centru de service omologat trebuie să execute toate celelalte operații de întreținere.
- Acest manual nu poate include toate situațiile care pot apărea atunci când utilizați produsul. Procedeți cu atenție și folosiți-vă simțul practic. Nu operați produsul și nu efectuați operații de întreținere la acesta dacă nu sunteți sigur cu privire la situație. Discutați cu un expert de produs, cu distribuitorul, cu agentul de service sau cu centrul de service omologat pentru informații.
- Deconectați cablul bujiei înainte de a asambla produsul, de a depozita produsul sau de a efectua operații de întreținere.
- Nu utilizați produsul dacă specificația sa inițială se modifică. Nu modificați o componentă a produsului fără aprobarea producătorului. Utilizați numai piese omologate de producător. Vătămările corporale sau decesul constituie un posibil rezultat al întreținerii incorecte.
- Nu respirați în atmosfera cu vapori emiși de motor. Inhalarea pe termen lung a gazelor de eșapament constituie un risc pentru sănătate.
- Nu porniți produsul în interior sau în apropierea unor materiale inflamabile. Gazele de eșapament sunt fierbinți și pot conține scântei care pot declanșa incendii. Un flux de aer insuficient poate cauza vătămare corporală sau deces din cauza asfrierii sau a monoxidului de carbon.
- Când utilizați acest produs motorul generează un câmp electromagnetic. Câmpul electromagnetic poate cauza deteriorarea implanturilor medicale. Discutați cu medicul dvs. și cu producătorul implantului medical înainte de a opera produsul.
- Nu permiteți copiilor să utilizeze produsul. Nu permiteți unei persoane care nu cunoaște instrucțiunile să utilizeze produsul.

- Asigurați-vă că monitorizați permanent o persoană cu capacități fizice sau mentale reduse care utilizează produsul. Un adult responsabil trebuie să fie prezent în permanență.
- Încuiați produsul într-o zonă inaccesibilă copiilor și persoanelor neaprobate.
- Produsul poate proiecta obiecte și poate cauza vătămări corporale. Respectați instrucțiunile de siguranță, pentru a reduce pericolul de vătămări corporale sau de deces.
- Nu vă îndepărtați de produs atunci când motorul este pornit.
- În caz de accident, operatorul produsului este responsabil pentru acesta.
- Înainte și în timp ce mergeți în marșarier, priviți înapoi și în jos pentru a observa copiii mici, animalele sau alte pericole care vă pot face să cădeți.
- Înainte de a utiliza produsul, asigurați-vă că piesele nu sunt deteriorate.
- Asigurați-vă că vă aflați la minimum 15 m (50 ft) distanță de alte persoane sau animale înainte de utiliza produsul. Asigurați-vă că o persoană din apropiere știe că urmează să utilizați produsul.
- Consultați legislația națională și locală. Aceasta poate interzice sau poate limita utilizarea produsului în unele situații.

## Instruirea

- Trebuie să citiți, să înțelegeți și să urmați toate instrucțiunile de pe aparat și din manual(e) înainte de a pune în funcțiune acest aparat. Trebuie să fiți pe deplin familiarizați cu comenzile și cu utilizarea corectă a utilajului. Trebuie să știți să opriți aparatul și să dezactivați rapid comenzile.
- Nu permiteți niciodată copiilor să pună în funcțiune utilajul. Nu permiteți niciodată adulților să pună în funcțiune utilajul fără o instruire corespunzătoare.
- Aveți grijă ca în zona de lucru să nu pătrundă nicio persoană, mai ales copii mici.
- Trebuie să aveți grijă și să evitați să alunecați sau să cădeți, mai ales când utilizați freza de zăpadă în marșarier.

## Instrucțiuni de siguranță pentru utilizare

- Nu puneți mâinile sau picioarele în apropierea pieselor care se rotesc sau sub acestea. Nu vă apropiați niciodată de deschiderea de evacuare.
- Aveți foarte mare grijă când lucrați pe sau când traversați drumuri de acces, alei sau străzi cu pietriș. Aveți grijă la obstacolele ascunse și la trafic.
- După ce ați lovit un obiect străin, opriți motorul, îndepărtați cablul de la bujie, deconectați cablul de alimentare în cazul motoarelor electrice, verificați amănunțit produsul, ca să nu prezinte deteriorări, și reparați defecțiunile înainte de a reporni și de a utiliza din nou produsul.

- Dacă produsul începe să vibreze anormal, opriți motorul și determinați imediat cauza. În general, astfel de vibrații indică probleme.
- Opriți motorul ori de câte ori părăsiți poziția de conducere, înainte de a curăța carcasa melcului sau deflectorul pantei și când efectuați reparații, reglaje sau verificări.
- Când curățați, reparați sau verificați produsul, opriți motorul și asigurați-vă că melcul și toate piesele în mișcare s-au oprit. Deconectați firul bujiei și țineți-l la distanță de bujie, pentru a preveni pornirea accidentală a motorului de altă persoană.
- Nu lăsați motorul în funcțiune în interiorul unei clădiri, în afara cazului în care doar îl porniți și când transportați produsul în interiorul clădirii sau în afară. Deschideți ușile către exterior; gazele de eșapament sunt periculoase.
- Aveți foarte mare grijă când lucrați pe pante.
- Nu puneți niciodată în funcțiune produsul fără elementele de protecție adecvate și fără celelalte dispozitive de siguranță la locul lor și în bună stare de funcționare.
- Nu îndreptați niciodată deflectorul pantei spre persoane sau zone în care există bunuri care se pot deteriora. Nu lăsați copiii sau alte persoane să se apropie.
- Nu depășiți capacitatea produsului încercând să curățați zăpada prea repede.
- Nu utilizați niciodată produsul la viteze mari de deplasare pe suprafețe alunecoase. Uitați-vă în spate și aveți foarte mare grijă când lucrați în marșarier.
- Decuplați alimentarea melcilor când produsul este transportat sau nu este utilizat.
- Utilizați numai echipamente opționale și accesorii aprobate de fabricantul produsului (precum greutatea pentru roți, contragreutăți sau cabine).
- Nu utilizați niciodată produsul fără a avea o vizibilitate sau lumină bună. Păstrați-vă întotdeauna echilibrul și țineți cu fermitate mânerul. Mergeți, nu alergați niciodată.
- Nu atingeți niciodată motorul sau amortizorul de zgomot când sunt fierbinți.
- Folosiți un rezervor de carburant omologat.
- Nu alimentați niciodată cu carburant când motorul este în funcțiune sau când este fierbinte.
- Umpleți rezervorul de carburant în aer liber, cu foarte mare grijă. Nu umpleți niciodată rezervorul cu carburant dacă vă aflați la interior.
- Nu umpleți niciodată recipientele în interiorul unui vehicul sau pe platforma unui camion sau a unei remorci cu învelitoare de plastic. Puneți întotdeauna recipientele pe sol, departe de vehiculul dvs., înainte de a alimenta.
- Pe cât posibil, scoateți utilajul care funcționează cu carburant din camion sau din remorcă și alimentați-l pe sol. Dacă acest lucru nu este posibil, atunci alimentați echipamentul în remorcă, folosind o canistră portabilă, nu un furtun de alimentare de la pompă.
- Mențineți permanent duza în contact cu marginea rezervorului de combustibil sau cu gura canistrei, până la terminarea alimentării. Nu folosiți un dispozitiv de blocare-deblocare a duzei.
- Puneți bine la loc capacul de la carburant și ștergeți carburantul revărsat.
- Dacă s-a vărsat carburant pe haine, schimbați-vă hainele imediat.
- Folosiți prelungitoare și prize specificate de producător pentru toate aparatele cu motor de antrenare electric sau cu motor cu pornire electrică.
- Reglați înălțimea carcasei melcului pentru a o ridica deasupra suprafețelor cu pietriș sau pietre sfărâmate.
- Nu încercați niciodată să efectuați reglaje când motorul este în funcțiune (în afară de cazurile când acest lucru este recomandat în mod explicit de producător).
- Purtați întotdeauna ochelari de protecție sau vizieră în timpul utilizării, al efectuării reglărilor ori reparațiilor, pentru a proteja ochii de obiectele străine care ar putea fi aruncate de aparat.

## Echipment de protecție personală

Utilizați întotdeauna echipamentul de protecție personală corespunzător atunci când operați produsul. Acesta include cel puțin pantofi rezistenți, ochelari de protecție și echipament de protecție pentru auz. Echipamentul de protecție personală nu elimină pericolul de vătămări corporale, dar poate reduce gravitatea rănirii, în cazul unui accident.

## Șiguranța zonei de lucru

- Inspectați amănunțit zona în care urmează să fie folosit utilajul și înlăturați toate covorașele de la intrare, săniile, scândurile, cablurile și alte obiecte străine.
- Decuplați toate ambreiajele și treceți în punctul mort înainte de a porni motorul.
- Nu utilizați produsul fără a purta îmbrăcăminte adecvată pentru iarnă. Evitați să purtați haine largi, care se pot prinde în piesele în mișcare. Purtați încălțăminte care să îmbunătățească aderența pe suprafețele alunecoase.
- Mânuiți combustibilul cu grijă, deoarece este foarte inflamabil.
- Purtați întotdeauna ochelari de protecție sau vizieră când utilizați produsul sau când efectuați lucrări de întreținere sau reparații.
- Purtați întotdeauna îmbrăcăminte adecvată pentru iarnă când utilizați produsul.
- Purtați întotdeauna ghete cu talpă antialunecare pentru condiții dificile de lucru cu protecție adecvată pentru glezne când utilizați produsul.
- Nu purtați îmbrăcăminte largă, care se poate prinde în piesele mobile.

- Dacă este necesar, utilizați mănuși de protecție omologate. De exemplu, la montarea, verificarea sau curățarea lamei.
- În timp ce operați produsul, utilizați întotdeauna protecții pentru ureche omologate. Zgomotul prelungit poate cauza pierderea auzului indusă de zgomot.
- Nu respirați vaporii de carburant, se pot produce vătămări corporale. Asigurați-vă că fluxul de aer este suficient.
- Nu fumați în apropierea carburantului sau a motorului.
- Nu amplasați obiecte calde în apropierea carburantului sau a motorului.

## Dispozitivele de siguranță de pe produs

- Asigurați-vă că efectuați cu regularitate întreținerea produsului.
  - Durata de viață a produsului crește.
  - Riscul de accidente scade.

Permiteți unui distribuitor omologat sau unui centru de service omologat să examineze cu regularitate produsul, pentru a efectua reglaje sau reparații.

- Nu utilizați un produs cu echipamentul de protecție deteriorat. Dacă produsul este deteriorat, luați legătura cu un centru de service omologat.

## Amortizor de zgomot

Amortizorul de zgomot este proiectat pentru a reduce la minimum nivelul de zgomot și a dirija gazele de eșapament departe de utilizator.

Nu utilizați produsul dacă amortizorul de zgomot nu este instalat sau este defect. Un amortizor de zgomot defect determină creșterea nivelului de zgomot și a pericolului de incendiu.



**AVERTISMENT:** Amortizorul de zgomot atinge temperaturi înalte în timpul utilizării, imediat după oprire și atunci când motorul funcționează la turajia de mers în gol. Procedați cu atenție în apropierea materialelor și/sau gazelor inflamabile pentru a preveni incendiile.

## Reguli de siguranță referitoare la carburant



**AVERTISMENT:** Înainte de a utiliza produsul, citiți instrucțiunile de avertizare de mai jos.

- Nu porniți produsul dacă pe acesta se află carburant sau ulei pentru motor. Îndepărtați carburantul/uleiul nedorit și lăsați produsul să se usuce.
- Dacă vărsați carburantul pe îmbrăcăminte, schimbați imediat hainele.
- Nu vărsați carburantul pe corp - poate provoca vătămări corporale. Dacă vărsați carburant pe corp, utilizați apă și săpun pentru a elimina carburantul.
- Nu porniți produsul dacă motorul prezintă scurgeri. Examinați cu regularitate motorul, pentru a identifica eventuale scurgeri.
- Manipulați cu atenție carburantul. Carburantul este inflamabil, vaporii sunt explozivi și pot cauza vătămări corporale sau deces.

- Nu adăugați carburant atunci când motorul este pornit.
- Asigurați-vă că motorul este rece înainte de a realimenta.
- Înainte de a realimenta, deschideți lent capacul rezervorului de carburant și eliberați cu atenție presiunea.
- Nu adăugați carburant la motor într-o zonă interioară. Un flux de aer insuficient poate cauza vătămare corporală sau deces din cauza asfrierii sau a monoxidului de carbon.
- Strângeți până la capăt capacul rezervorului de carburant. Dacă acesta nu este strâns, există pericol de incendiu.
- Înainte de pornire, mutați produsul la o distanță de minimum 3 m/10 ft față de poziția unde ați umplut rezervorul.
- Nu umpleți complet rezervorul de carburant. Căldura provoacă dilatarea carburantului. Păstrați un gol în partea de sus a rezervorului de carburant.

## Avertizare privind substanțe chimice



**AVERTISMENT:** Gazele de eșapament de la acest produs conțin substanțe chimice cunoscute în Statul California ca substanțe ce cauzează cancer, malformații congenitale și alte afecțiuni ale aparatului reproducător. Pentru mai multe informații, accesați [www.P65Warnings.ca.gov](http://www.P65Warnings.ca.gov).

## Instrucțiuni de siguranță pentru întreținere



**AVERTISMENT:** Înainte de a utiliza produsul, citiți instrucțiunile de avertizare de mai jos.

- Gazele de eșapament de la motor conțin monoxid de carbon, care este un gaz inodor, toxic și foarte periculos. Nu porniți motorul în interior sau în spații închise.
- Înainte de a efectua întreținerea produsului, opriți motorul și deconectați cablul de alimentare a aprinderii de la bujie.
- Purtați mănuși de protecție atunci când efectuați întreținerea lamelor. Lamele sunt foarte ascuțite și vă puteți tăia foarte ușor.
- Accesorii și modificările aduse produsului care nu sunt autorizate de către producător pot provoca vătămări corporale grave sau fatale. Nu modificați

produsul. Utilizați întotdeauna numai accesorii omologate de producător.

- Dacă întreținerea nu se efectuează corect și periodic, crește pericolul de vătămări corporale și de deteriorare a produsului.
- Efectuați numai operațiile de întreținere care se regăsesc în acest manual al operatorului. Toate

celelalte operații de service trebuie efectuate de către un agent de service autorizat.

- Solicitați unui agent de service autorizat să efectueze în mod regulat operații de service asupra produsului.
- Înlocuiți piesele deteriorate, uzate sau defecte.

---

## Asamblarea

---



**AVERTISMENT:** Citiți și înțelegeți capitolul referitor la siguranță înainte de asamblarea produsului.

### Instalarea mânerelor

1. Demontați cele 4 șuruburi cu flanșă M8x25 (A) de pe carcasă.
2. Utilizați cele 4 șuruburi cu flanșă M8x25 (A), cele 4 distanțiere cu arc (B) și cele 4 distanțiere plate (C).
3. Instalați mânerul inferior (D) în cele 2 orificii de pe fiecare parte a carcasei. (Fig. 25)
4. Utilizați cele 3 șuruburi de blocare a mânerului M8x50 (A), cele 3 distanțiere (B), cele 3 butoane rotative de pe mâner (C) și cele 3 piulițe de fixare (D).
5. Instalați mânerul superior cu panoul de control (E) pe mânerul inferior. (Fig. 26)

### Pentru a asambla deflectorul pantei

1. Demontați discul dispozitivului de rotire (B) și cele 6 șuruburi cu flanșă cu cap hexagonal (D) de pe carcasă.
2. Montați discul dispozitivului de rotire (B) și deflectorul pantei (A) pe baza pantei, folosind 3 blocuri de limitare (C).
3. Utilizați 6 șuruburi cu flanșă cu cap hexagonal (D) și 6 piulițe de fixare (E) pentru a fixa blocurile de limitare (C). (Fig. 27)

### Pentru a asambla dispozitivul de rotație al pantei

1. Asamblați capătul frontal al dispozitivului de rotire al pantei.
2. Instalați bucușa de plastic (B) la capătul frontal al dispozitivului de rotire al pantei.
3. Atașați dispozitivul de rotire al pantei cu 1 distanțier plat (A) și 1 clemă (C). (Fig. 28)
4. Asamblați capătul din spate al dispozitivului de rotire al pantei.

5. Utilizați 1 piuliță de fixare M8 (A), 1 rozetă de blocare pe mâner, din plastic (B), 2 distanțiere curbate (C) și 1 nivelă cu șurub (D) pentru a asambla dispozitivul de rotație al pantei.
6. Utilizați 1 piuliță hexagonală M8 (E) pentru a fixa dispozitivul de rotație al pantei (F) în orificiile mânerului. (Fig. 29)

### Pentru asamblarea tijei de control al vitezei de deplasare

1. Instalați capătul lung îndoit al tijei de control al vitezei de deplasare (A) la panoul de control și fixați-l cu 1 arc de bielă (B), 1 distanțier plat (C) și 1 cui spintecat (D). (Fig. 30)
2. Trageți în sus placa de conexiune pentru deplasare (B) și instalați capătul îndoit scurt al tijei de control al vitezei de deplasare (A). Montați tija de control al vitezei de deplasare (A) cu 1 distanțier plat (C) și 1 cui spintecat (D). (Fig. 31)
3. Dacă este necesar, extindeți tija de control al vitezei de deplasare. Slăbiți piulițele de blocare de pe cuplaj și rotiți cuplajul. Strângeți cuplajul înapoi la locația originală, pentru un control adecvat al vitezei. Locația originală este marcată pe filete. (Fig. 32)

### Pentru asamblarea cablurilor melcului și a cablurilor de transmisie

1. Demontați cele 2 șuruburi de cablu (B) de pe cablurile (D).
2. Montați cele 2 șuruburi de cablu (B) pe orificiile de pe mânerele din stânga și din dreapta (A). (Fig. 33)
3. Fixați cablurile (D) pe șuruburile de cablu (B).
4. Conectați și fixați bucușa filetată a cablului din stânga și din dreapta (D) și șurubul de cablu (B) până când piulița de blocare din alamă (C) este aliniată cu marcajul de pe filete (E).
5. Fixați cablul cu piulița de blocare din alamă (C).

# Funcționare



**AVERTISMENT:** Înainte de a utiliza produsul, citiți cu atenție și înțelegeți capitolul privind siguranța și instrucțiunile de operare.

## Înainte de a porni produsul

- Țineți persoanele și animalele la distanță de zona de lucru.
- Efectuați întreținerea zilnică. Consultați *Program de întreținere la pagina 328*.
- Asigurați-vă că electrodul de aprindere este amplasat corect pe bujie.
- Dacă este necesar, adăugați ulei sau benzină. Consultați *Umplerea motorului cu ulei la pagina 326*.

## Umplerea motorului cu ulei



**ATENȚIE:** Nu rotiți joja când verificați uleiul. Nu umpleți până depășiți marcajul.

1. Scoateți bușonul de alimentare cu ulei și curățați joja. Consultați *Prezentarea generală a produsului la pagina 319* pentru a afla amplasarea joiei.
2. Umpleți cu ulei până la marcajul superior de pe jojă. Utilizați joja pentru a verifica nivelul de ulei la intervale regulate.
3. Puneți la loc capacul pentru ulei.

## Alimentarea cu carburant

Dacă este disponibilă, folosiți benzină alchilată/cu emisii scăzute. Dacă benzina alchilată/cu emisii scăzute nu este disponibilă, folosiți benzină fără plumb de bună calitate. Utilizați benzină cu o cifră octanică de 90 RON în afara Americii de Nord (87 (R+M)/2 în America de Nord) sau mai mare, cu un conținut de etanol de maximum 10 % (E10).



**ATENȚIE:** Nu utilizați benzină cu o cifră octanică mai mică de 90 RON în afara Americii de Nord (87 (R+M)/2 în America de Nord). Aceasta poate deteriora produsul.

1. Deschideți încet capacul rezervorului de carburant pentru a elibera presiunea.
2. Umpleți încet, cu o canistră de carburant. Dacă vărsați carburant, îndepărtați-l cu o cârpă și lăsați-l să se usuce.
3. Curățați suprafața din jurul capacului rezervorului de carburant.
4. Strângeți până la capăt capacul rezervorului de carburant. Dacă acesta nu este strâns, există pericol de incendiu.

5. Înainte de pornire, mutați produsul la o distanță de minimum 3 m (10 ft) față de poziția unde ați umplut rezervorul.

## Pentru a regla deflectorul pantei

Direcția în care urmează să fie aruncată zăpada este controlată de dispozitivul de rotire al pantei, instalat pe mânerul din stânga.

1. Rotiți controlul dispozitivului de rotire al pantei pentru a seta direcția de rotație pentru aruncarea zăpezii.
2. Rotiți dispozitivul de rotire al pantei în sensul acelor de ceasornic pentru a arunca zăpada spre dreapta.
3. Rotiți dispozitivul de rotire al pantei în sens invers acelor de ceasornic pentru a arunca zăpada spre stânga. (Fig. 34)
4. Deplasați deflectorul înclinat în sus sau în jos, pentru a regla distanța de aruncare a zăpezii. (Fig. 35)

## Pornirea motorului

1. Eliberați maneta de activare a deplasării. Puneți pârghia de control al vitezei de deplasare în prima poziție.
2. Rotiți comutatorul de combustibil în poziția pornit. (Fig. 36)
3. Deplasați șocul în poziția închis. (Fig. 37)
4. Apăsăți cheia de pornire/oprire în poziția de funcționare. (Fig. 38)
5. Apăsăți butonul de amorsare de 1-3 ori pentru a porni pompa auxiliară. Utilizați pompa auxiliară pentru pornire la rece la temperaturi scăzute. (Fig. 39)
6. Trageți mânerul șnurului demarorului. (Fig. 40)



**ATENȚIE:** Nu eliberați rapid mânerul șnurului demarorului. Aduceți-l înapoi în poziția inițială încet.

**Nota:** Dacă mânerul șnurului demarorului a înghețat, trageți șnurul încet și cât mai mult posibil din demaror și eliberați mânerul șnurului demarorului. Dacă motorul nu pornește, repetați procedura sau utilizați demarorul electric.

7. Lăsați motorul să funcționeze la ralanti 30-40 minute înainte de a începe să curățați zăpada.
8. Când motorul este cald, deplasați lent șocul în poziția deschis. (Fig. 41)

## Pornirea motorului, pornirea electrică



**AVERTISMENT:** Produsul are un demaror electric de 230 V c.a. Nu utilizați demarorul electric dacă locuința dvs. nu dispune de un

sistem de 230 V c.a. cu o împământare corectă. Pot surveni vătămări corporale grave sau deteriorarea gravă al produsului. Demarorul electric are un ștecher cu trei conectori și este proiectat să funcționeze la tensiunea de 230 V c.a. a rețelei de alimentare a locuințelor. Asigurați-vă că locuința dvs. are un sistem de 230 V c.a. corect împământat. Dacă nu știți sigur, întrebați un electrician autorizat.

---

**Nota:** Utilizați un cablu prelungitor recomandat pentru uz extern, cu o dimensiune a cablului de minim 16 AWG (1,5 mm<sup>2</sup>) cu o lungime de maximum 50 ft (15 m).

---

1. Eliberați maneta de activare a deplasării. Puneți pârghia de control al vitezei de deplasare în prima poziție.
2. Rotiți comutatorul de combustibil în poziția pornit. (Fig. 36)
3. Deplasați șocul în poziția închis. (Fig. 37)
4. Apăsăți cheia de pornire/oprire în poziția de funcționare. (Fig. 38)
5. Apăsăți butonul de amorsare de 1-3 ori pentru a porni pompa auxiliară. Utilizați pompa auxiliară pentru pornire la rece la temperaturi scăzute. (Fig. 39)
6. Conectați produsul la sursa de alimentare. (Fig. 42)
7. Apăsăți și mențineți butonul de pornire de pe caseta de control timp de 5 secunde. (Fig. 43)
8. Dacă motorul nu pornește, așteptați 5 secunde și apăsați din nou pe buton.



**ATENȚIE:** Nu încercați să porniți motorul de mai mult de 10 ori. După 10 încercări, așteptați 40 de minute pentru a încerca din nou.

9. Deconectați cablul de alimentare de la produs la pornirea motorului.
10. Lăsați motorul să funcționeze la ralanti 30-40 minute înainte de a începe să curățați zăpada.
11. Când motorul este cald, deplasați lent șocul în poziția deschis. (Fig. 41)

## Utilizarea produsului

1. Apăsăți butonul de cuplare a melcului, de pe mâner, pentru a cupla melcul și a degaja zăpada. (Fig. 44)

2. Deplasați la stânga maneta de control al vitezei de deplasare pentru a deplasa produsul înainte. Deplasați la dreapta maneta de control al vitezei de deplasare pentru a deplasa produsul înapoi. (Fig. 45)
3. Acționați maneta de activare a deplasării cu mânerul din dreapta.
4. Apăsăți maneta de activare a deplasării de pe mâner pentru a cupla roțile conducătoare. Produsul se deplasează înainte sau înapoi, în funcție de locația manetei de control al vitezei de deplasare. (Fig. 46)

## Oprirea produsului

---

**Nota:** Pentru a opri motorul în situații de urgență, scoateți afară cheia pornit/oprit.

---

1. Deblocați maneta de activare a deplasării pentru a opri roțile conducătoare.
2. Deblocați maneta de activare a deplasării pentru a decupla melcul și a opri degajarea zăpezii. (Fig. 47)
3. Rotiți comutatorul de combustibil în poziția oprit. (Fig. 48)
4. Scoateți cheia de pornire/oprire. (Fig. 49)

## Obținerea rezultatelor bune

- Turați întotdeauna motorul la accelerație maximă sau aproape maximă.
- Adaptați întotdeauna viteza produsului la starea zăpezii și reglați viteza cu levierul de control al vitezei de deplasare. Asigurați-vă că produsul aruncă zăpada uniform.
- Este mai ușor și mai eficient să îndepărtați zăpada imediat după ce se depune.
- Aruncați zăpada întotdeauna în direcția vântului, atunci când este posibil.
- Pe suprafețe plate, precum drumurile de asfalt, ridicați plăcile de alunecare la 5-6 mm (0,2-0,25 in) de la sol.
- Banda răzuitoare este reversibilă. Când s-a uzat până aproape de marginea carcasei, întoarceți-o. Înlocuiți banda răzuitoare dacă este deteriorată sau dacă ambele părți sunt uzate.
- Nu forțați deflectorul pantei dacă este blocat.
- Dacă produsul nu se deplasează înainte din cauza unor circumstanțe neprevăzute, eliberați imediat comanda transmisiei sau mutați cheia de pornire/oprire în poziția de oprire „OFF”.

# Întreținerea

## Program de întreținere

Întreținerea	Zilnic	20 ore	50 ore	100 ore
Asigurați-vă că piulițele și șuruburile sunt strânse	X			
Verificați nivelul uleiului de motor	X			
Înlocuiți uleiul <sup>115</sup>		X	X	X
Asigurați-vă că nu există scurgeri de ulei sau carburant	X			
Eliminați blocajele și obiectele străine din melc	X			
Verificați presiunea în pneuri <sup>116</sup>			X	
Inspectați și schimbați bujia <sup>117</sup>				X

**Nota:** Nu este necesar să adăugați unsoare sau să efectuați alte lucrări de întreținere asupra cutiei de viteze.

### Pentru a efectua o inspecție generală

- Asigurați-vă că toate șuruburile și piulițele produsului sunt strânse.

### Pentru a verifica nivelul de ulei



**ATENȚIE:** Un nivel de ulei prea redus poate deteriora motorul. Efectuați o verificare a nivelului de ulei înainte să porniți produsul.

- Așezați produsul pe teren drept.
- Scoateți bușonul rezervorului cu joja atașată.
- Curățați joja de ulei.
- Introduceți joja complet în rezervorul de ulei pentru o înregistrare corectă a nivelului de ulei.
- Scoateți joja.
- Examinați nivelul de ulei de pe joă.

- Dacă nivelul uleiului este scăzut, alimentați cu ulei de motor și verificați din nou nivelul.

### Înlocuirea uleiului pentru motor

- Puneți motorul în funcțiune timp de câteva minute, pentru a încălzi uleiul. Uleiul cald curge mai ușor și transportă mai multe particule contaminante.



**AVERTISMENT:** Uleiul de motor este fierbinte. Evitați contactul pielii cu uleiul de motor uzat.

- Așezați produsul pe teren drept.
- Lăsați motorul să funcționeze până la epuizarea combustibilului.
- Scoateți cheia de contact.
- Așezați un recipient sub bușonul de scurgere a uleiului.
- Scoateți bușonul de scurgere a uleiului, înclinați produsul înapoi și scurgeți uleiul uzat în recipient. (Fig. 50)
- Readuceți produsul în poziție de funcționare.
- Instalați bușonul de scurgere a uleiului și strângeți-l bine cu mâna.

<sup>115</sup> Înlocuiți uleiul după primele 20 h, 50 h, 100 h și apoi după fiecare 100 h.

<sup>116</sup> Consultați datele tehnice pentru presiunea corectă în pneuri.

<sup>117</sup> Verificați și curățați bujia înainte de utilizare în fiecare an.



9. Umpleți motorul cu ulei, consultați *Umplerea motorului cu ulei la pagina 326*.

produs. Obiectele care sunt aruncate la viteză mare pot provoca vătămări.

## Verificarea bujiei



**ATENȚIE:** Folosiți întotdeauna tipul recomandat de bujie. Tipul incorect de bujie poate defecta produsul.

- Verificați bujia dacă motorul nu are putere, nu pornește ușor sau nu funcționează corect la turație de mers în gol.
- Pentru a reduce riscul prezenței materialelor nedorite la electrozii bujiei, respectați aceste instrucțiuni:
  - a) Asigurați-vă că turația de mers în gol este corect reglată.
  - b) Asigurați-vă că tipul de combustibil este corect.
  - c) Asigurați-vă că filtrul de aer este curat.
- Dacă bujia este murdară, curățați-o și asigurați-vă că distanța dintre electrozii este corectă, consultați *Date tehnice la pagina 333*. (Fig. 51)
- Înlocuiți bujia atunci când este necesar.

## Inspectarea melcului și a bandei răzuitoare

1. Înainte de fiecare utilizare, verificați dacă melcul și banda răzuitoare sunt uzate.
2. Dacă marginea benzii răzuitoare este uzată, întoarceți-o pe partea cealaltă. Dacă banda răzuitoare prezintă deteriorări sau este uzată pe ambele margini, înlocuiți-o.
3. Dacă marginile melcilor sunt uzate, contactați un centru de service autorizat pentru a le înlocui.

## Reglarea plăcilor de alunecare

Saboții de frână previn deteriorarea părții inferioare a frezei de zăpadă. Reglați saboții de frână (A) când contrapiulița (B) este slăbită sau sabotul de frână nu este la distanța corectă față de sol. Nu este necesară nicio reglare pentru instalarea normală.

1. Slăbiți contrapiulița (B) cu 13 mm (½ in.) cheie fixă.
2. Deplasați saboții de frână (A) în sus sau în jos.
  - a) Pe suprafețe plane, setați distanța dintre banda răzuitoare și sol la 5-6 mm (0,2-0,25 in).
  - b) Pe suprafețele denivelate setați saboții de frână (A) într-o poziție în care banda răzuitoare este deasupra solului.



**AVERTISMENT:** Asigurați-vă că pietrișul și pietrele nu pătrund în

3. Strângeți contrapiulița (B). (Fig. 52)

## Înlocuirea șplintului

Șplintul protejează produsul împotriva deteriorărilor. Acesta se rupe dacă un obiect străin pătrunde în piesele în mișcare.

1. Dacă șplintul se rupe, opriți motorul.
2. Montați un șplint nou (A) și un arc de clemă nou (B). (Fig. 53)

## Examinarea pneurilor

- Protejați pneurile de carburant, ulei și substanțe chimice pentru a preveni deteriorarea cauciucului.
- Evitați trecerea pneurilor peste rădăcini, pietre, gropi, obiecte ascuțite și alte obiecte, care pot provoca deteriorarea acestora.
- Mențineți presiunea corectă în pneuri, consultați *Date tehnice la pagina 333*.

## Deblocarea deflectorului pantei de descărcare

Nu deblocați deflectorul pantei de descărcare înainte de realizarea următoarelor operații.

1. Eliberați activarea melcului și a transmisiei în același timp.
2. Așteptați 10 secunde pentru a vă asigura că melcii s-au oprit.
3. Opriți produsul.
4. Pentru deblocare, utilizați unealta pentru curățare (cu o lungime de minim 37 cm (15 in.), inclusă pentru unele modele).



**AVERTISMENT:** Nu introduceți mâinile în deflectorul pantei de descărcare sau în interiorul carcasei melcului.

## Curățarea produsului

- Curățați componentele din plastic cu o cârpă curată și uscată.
- Nu utilizați o instalație de spălare cu presiune ridicată pentru a curăța produsul.
- Nu stropiți niciodată direct motorul cu apă.
- Folosiți o perie pentru a elimina frunzele, iarba și murdăria.

## Depanarea

### Depanarea

Problemă	Cauza posibilă	Soluție
Produsul nu pornește	Cheia de contact de siguranță nu este introdusă.	Introduceți cheia de contact de siguranță.
	Produsul nu mai are carburant.	Umpleți rezervorul cu benzină curată și proaspătă.
	Cheia de pornire/oprire este în poziția oprit.	Mutați cheia de pornire/oprire în poziția pornit.
	Șocul este în poziția OFF (CLOSE) (OPRIT (ÎNCHIS)).	Împingeți șocul în poziția ON (FULL, OPEN) (PORNIT (TRAS COMPLET)).
	Butonul de amorsare nu a fost apăsat.	Apăsați butonul de amorsare.
	Motorul este înecat.	Așteptați câteva minute înainte de a porni din nou, NU AMORSAȚI.  Reporniți motorul la accelerație maximă cu șocul în poziția OFF (CLOSE) (OPRIT (ÎNCHIS)).
	Cablul bujiei nu este conectat.	Conectați cablul la bujie.
	Bujia este defectă.	Înlocuiți bujia.
	Există apă în carburant sau carburantul este prea vechi.	Goliți rezervorul de carburant și carburatorul. Umpleți rezervorul cu benzină curată și proaspătă.
	Există vapori blocați în conducta de carburant.	Asigurați-vă că întreaga conductă de carburant se află sub ieșirea rezervorului de carburant. Conducta de carburant trebuie să fie îndreptată în jos, de la rezervorul de carburant către carburator.
	Alte cauze.	Parcurgeți cu atenție procedurile de pornire din acest manual.
	Întrerupătorul de combustibil (dacă există) este în poziția CLOSE (OFF) (ÎNCHIS (OPRIT)).	Apăsați întrerupătorul de carburant în poziția de OPEN (ON) (DESCHIS (PORNIT)).
	Accelerația este în poziția STOP.	Deplasați accelerația în poziția FAST (RAPID).

<b>Problemă</b>	<b>Cauza posibilă</b>	<b>Soluție</b>
Alimentare redusă	Cablul bujiei nu este conectat.	Conectați cablul la bujie.
	Produsul aruncă prea multă zăpadă.	Reduceți viteza și lățimea de lucru.
	Bușonul rezervorului de carburant este acoperit cu gheață sau zăpadă.	Îndepărtați gheața și zăpada de pe bușonul rezervorului de carburant și din jurul acestuia.
	Amortizorul de zgomot este murdar sau înfundat.	Curățați sau înlocuiți amortizorul de zgomot.
	Lungime neadecvată a cablului.	Reglați cablul.
	Amortizorul de zgomot este blocat.	Asigurați-vă că motorul este rece. Îndepărtați blocajul.
	Priza de aer a carburatorului este blocată.	Asigurați-vă că motorul este rece. Îndepărtați blocajul.
Motorul merge în gol sau cu smucituri	Șocul este în poziția ON (FULL, OPEN) (PORNIT (TRAS COMPLET)).	Împingeți șocul în poziția OFF (CLOSE) (OPRIT (ÎNCHIS)).
	Conducta de carburant este blocată.	Curățați conducta de carburant.
	Există apă în carburant sau carburantul este prea vechi.	Goliți rezervorul de carburant și carburatorul. Umpleți rezervorul cu benzină curată și proaspătă.
	Carburatorul trebuie să fie înlocuit.	Contactați un centru de service autorizat.
	Cureaua este întinsă.	Înlocuiți cureaua trapezoidală a melcului.
Vibrații excesive/Mânerul se mișcă	Unele componente sunt slăbite. Melcii sunt deteriorați.	Strângeți bine toate elementele de fixare. Înlocuiți toate componentele deteriorate. Dacă vibrațiile persistă, contactați un centru de service autorizat.
	Mânerele nu sunt poziționate corect.	Asigurați-vă că mânerul este blocat în poziție.
	Piulițele levierului de reglare sunt slăbite.	Strângeți piulițele până când mânerul devine stabil.
Mânerul șnurului demarorului este greu de tras	Mânerul șnurului demarorului este înghețat.	Trageți încet șnurul din demaror, cât mai mult posibil, și eliberați mânerul șnurului demarorului. Dacă motorul nu pornește, repetați procedura sau utilizați demarorul electric.
	Șnurul intră în contact cu alte componente.	Șnurul demarorului nu trebuie să atingă cabluri sau furtunuri.

Problemă	Cauza posibilă	Soluție
Pierderea controlului tracțiunii/reducerea vitezei de deplasare  Zăpada nu este evacuată sau este evacuată încet	Cureaua alunecă.	Reglați cablul. Reglați cureaua.
	Cureaua este uzată.	Verificați/înlocuiți cureaua.
	Cureaua a căzut de pe roata de transmisie.	Verificați/reinstalați cureaua.
	Deflectorul pantei este blocat.	Curățați deflectorul pantei.
	Melcii sunt blocați de obiecte străine.	Îndepărtați resturile sau obiectele străine din melci.
	Șplintul este rupt.	Înlocuiți șplintul rupt.
	Zăpada și gheața excesive se acumulează între componentele șenilelor.	Îndepărtați zăpada și gheața acumulate între componentele șenilelor.
	Roata conducătoare de fricțiune este uzată.	Contactați un centru de service autorizat.
Probleme la rotirea melcului după eliberarea mânerului	Cureaua de transmisie nu este aliniată.	Reglați cureaua de transmisie.
	Deflectorul de descărcare nu este aliniat.	Reglați deflectorul de descărcare.
Luminile nu sunt aprinse (dacă există în dotare)	Motorul nu funcționează.	Porniți motorul.
	Conexiunea cablului este slăbită.	Verificați conexiunile cablurilor la motor și lumini.
	LED-ul este ars.	Înlocuiți modulul de iluminat cu LED-uri. LED-urile nu pot fi înlocuite individual.
Dispozitivul de rotire al pantei este dificil de deplasat	Există resturi în mecanismul dispozitivului de rotire al pantei.	Curățați piesele interne ale mecanismului dispozitivului de rotire al pantei.
	Cablurile sunt îndoite sau deteriorate.	Asigurați-vă că cablurile nu sunt îndoite. Înlocuiți cablurile care sunt deteriorate.
Produsul se întoarce pe o parte	Presiunea în pneuri nu este egală.	Reglați presiunea în pneuri și umpleți pneurile.
	Produsul se deplasează pe o singură roată.	Inspectați știftul de blocare a pneului.
	Reglare neuniformă a tălpilor saniei.	Reglați plăcile de alunecare și sania.
	Reglare neuniformă a plăcilor de alunecare.	Reglați plăcile de alunecare și sania.

## Transportul, depozitarea și eliminarea

### Transportul și depozitarea

- Pentru depozitarea și transportul produsului și a carburantului, asigurați-vă că nu există scurgeri și gaze. Scântele sau flăcările deschise, de exemplu cele provenite de la dispozitive sau boilere electrice, pot cauza un incendiu.
- Utilizați întotdeauna recipiente omologate pentru depozitarea și transportarea combustibilului.
- Goliți rezervorul de carburant și depozitați produsul pentru o perioadă lungă de timp.
- Dacă vasul de combustibil al carburatorului este prevăzut cu buton de scurgere, goliți carburatorul de combustibil înainte de a depozita produsul pentru o perioadă lungă de timp.
- Fixați în siguranță produsul în timpul transportului pentru a preveni daunele și accidentele.
- Păstrați produsul într-o zonă restricționată pentru a preveni accesul copiilor sau al persoanelor neautorizate.

- Păstrați produsul într-un spațiu uscat și ferit de îngheț.

## Dezafectarea

- Respectați cerințele locale și reglementările aplicabile.

- Eliminați toate substanțele chimice, precum uleiul de motor sau combustibilul, la un centru de service sau la o locație de eliminare autorizată.
- Eliminați produsul la deșeurii într-o locație adecvată sau trimiteți-l la Husqvarna în vederea eliminării.

## Date tehnice

### Date tehnice

	ST 124
<b>Dimensiuni</b>	
Greutate cu rezervoarele goale, kg	76
Presiunea maximă de lucru în pneuri, PSI	20
Înălțime admisie, cm	53,3
Lățime de lucru, cm	61
<b>Motor</b>	
Marcă	Husqvarna
Putere nominală de ieșire motor, kW	4,3
Cilindree, cc	212
Tip de carburant	Benzină normală fără plumb (maximum 10 % etanol)
Capacitate de carburant, gal / l	0,58/2,2
Tip de ulei (API SJ-SN)	SAE 5W30 (sub 0°C (32°F))
Capacitate ulei fl. oz. / l	20/0,6
<b>Sistemul electric</b>	
Bujie	F7RTC
Distanța dintre electrozii bujiei (in. / mm)	0,027-0,031/0,7-0,8
<b>Emisii de zgomot<sup>118</sup></b>	
Nivel de putere acustică, măsurat dB(A)	100
Nivel de putere acustică, garantat L <sub>WA</sub> dB(A)	102
<b>Niveluri de zgomot<sup>119</sup></b>	
Nivel de presiune a sunetului la urechea operatorului, măsurată în L <sub>PA</sub> dB(A)	86
<b>Niveluri de vibrații, a<sub>hveq</sub><sup>120</sup></b>	

<sup>118</sup> Emisiile de zgomot în mediu măsurate ca putere acustică (L<sub>WA</sub>) în conformitate cu directivele 2000/14/CE și 2005/88/CE. Datele raportate pentru emisiile de zgomot prezintă o distribuție statistică tipică (abatere standard) de 1,5 dB(A). Incertitudine = ±1,5 dB(A)

<sup>119</sup> Presiunea nivelului de zgomot conform EN ISO 11201. Datele raportate pentru presiunea nivelului de zgomot prezintă o dispersie statistică tipică (abatere standard) de 1,5 dB(A). Incertitudine = ±1,5 dB(A)

<sup>120</sup> Nivel de vibrații conform ISO 8437-4 Anexa B. Incertitudine = 1,5 m/s<sup>2</sup>

	<b>ST 124</b>
Nivel de vibrații pe mâner, stânga/dreapta	4,15/4,08

# Declarație de conformitate CE

## CONȚINUTUL DECLARAȚIEI DE CONFORMITATE CE

Subscrisa, Husqvarna, SE-561 82 Huskvarna, SUEDIA,  
declară pe propria răspundere că produsul reprezentat:

Descriere	Freză de zăpadă
Marcă	Husqvarna
Platformă / Tip / Model	ST 124
Lot	Serie cu data 2020 și în continuare

respectă în totalitate următoarele directive și  
reglementări UE:

Directivă/Regulament	Descriere
2006/42/CE	„privind utilajele”
2014/30/UE	„privind compatibilitatea electromagnetică”
2000/14/CE; 2005/88/CE	„privind zgomotul exterior”
2011/65/UE	„restricționarea utilizării anumitor substanțe periculoase”

Standardele armonizate și/sau specificațiile tehnice aplicate sunt următoarele: EN ISO 12100:2010, EN ISO 14982:2009, ISO 8437-1:2019, ISO 8437-2:2019, ISO 8437-4:2019, ISO 3744:1995, EN 1032:2003+A1:2008, EN 50581:2012

În conformitate cu directiva 2000/14/CE+2005/88/CE, Anexa V, valorile sonore declarate sunt specificate în secțiunea Date tehnice a prezentului manual și în Declarația de conformitate CE semnată.

Freza de zăpadă furnizată corespunde exemplului examinat.

În numele Husqvarna AB, SE-561 82 Huskvarna,  
SUEDIA, 07.02.2020



Claes Losdal

Persoana responsabilă pentru întocmirea fișelor tehnice  
în Uniunea Europeană

---

# Содержание

---

Введение.....	336	Поиск и устранение неисправностей.....	348
Безопасность.....	337	Транспортировка, хранение и утилизация.....	351
Сборка.....	342	Технические данные.....	351
Эксплуатация.....	343	Декларация соответствия ЕС.....	353
Техническое обслуживание.....	345		

---

## Введение

---

### Обзор изделия

(Рис. 1)

1. Переключатель шнека
2. Рычаг управления скоростью движения
3. Панель управления
4. Трос шнека
5. Орган управления поворотным механизмом желоба
6. Дефлектор желоба
7. Инструмент для очистки
8. Корпус шнеков
9. Шнеки
10. Защитная пластина
11. Шина
12. Маслозаливная горловина
13. Двигатель
14. Нижняя рукоятка
15. Тяга управления скоростью движения
16. Приводной трос
17. Ручка стартера
18. Переключатель привода
19. Ручки
20. Праймер (устройство подсоса)
21. Заслонка
22. Выключатель топлива
23. Ключ включения/выключения
24. Руководство по эксплуатации

### Описание изделия

Изделие представляет собой снегоотбрасыватель, предназначенный для уборки снега с земли.

### Назначение

Данное изделие может использоваться для уборки снега с полей, дорог, тротуаров и проездов. Эксплуатация на склонах с уклоном более 15° запрещена. Запрещается использовать изделие на участках с большим количеством мусора, грязи и выступающих камней.

### Symbols on the product

---

**Примечание:** If the decals on the product are damaged, contact the distributor to replace them.

---

- (Рис. 2) Warning.
- (Рис. 3) Read the operator's manual.
- (Рис. 4)
- (Рис. 5) Hot surface.
- (Рис. 6) Risk of fire.
- (Рис. 7) Choke.
- (Рис. 8) Pull starter rope handle.
- (Рис. 9) Do not breathe in the exhaust fumes from the engine.
- (Рис. 10) Do not put any part of the body into the chute deflector or the auger housing when the augers rotate.
- (Рис. 11) Stop the engine before you remove snow from the chute deflector. Use the clean-out tool to remove snow, do not do it by hand.
- (Рис. 12)
- (Рис. 11) Keep hands away from the chute deflector.
- (Рис. 13) Objects can be ejected from the product.
- (Рис. 14) Keep bystanders away from the product when operating.
- (Рис. 15) Remove key before maintenance.
- (Рис. 16) Push in the on/off key to the RUN position.
- (Рис. 17) Turn the fuel switch to the ON position.
- (Рис. 18) Push the primer.
- (Рис. 19) Risk of falling.



- (Рис. 20) Move slowly rearward.
- (Рис. 21) Use approved protective gloves.
- (Рис. 22) Use a protective helmet. Use approved hearing protection. Use approved eye protection.
- (Рис. 23) Noise emissions to the environment according to European Directive 2000/14/EC and New South Wales legislation "Protection of the Environment Operations (Noise Control) Regulation 2017". Noise emission data can be found on the machine label and in the Technical data chapter.
- (Рис. 24) European machinery directive for safety.

**Примечание:** Other symbols/decals on the product refer to certification requirements for some markets.

## Соответствие уровня токсичных выбросов стандарту Euro V



**ПРЕДУПРЕЖДЕНИЕ:** В случае вмешательства в работу двигателя

## Безопасность

### Инструкции по технике безопасности

Ниже приведены определения уровня опасности для каждого сигнального слова.



**ПРЕДУПРЕЖДЕНИЕ:** Травмирование человека.



**ВНИМАНИЕ:** Повреждение изделия.

**Примечание:** Эта информация поможет упростить эксплуатацию изделия.

### Правила безопасной эксплуатации самоходных снегоотбрасывателей

#### Общие сведения

При эксплуатации этой машины существует опасность отсечения рук или ног, а также получения травм от отбрасываемых предметов. Несоблюдение приведенных ниже правил техники безопасности может повлечь за собой серьезные травмы.

#### Обучение

- Прежде чем запускать машину, прочитайте и изучите инструкции на машине и в руководстве(-

### Производитель

Husqvarna AB

Drottninggatan 2, SE-561 82 Huskvarna

### Ответственность изготовителя

В соответствии с законами об ответственности изготовителя мы не несем ответственности за ущерб, вызванный эксплуатацией нашего изделия в результате:

- ненадлежащего ремонта изделия;
- использования для ремонта изделия неоригинальных деталей или деталей, не одобренных производителем;
- использования неоригинальных дополнительных принадлежностей или принадлежностей, не одобренных производителем;
- ремонта изделия в неавторизованном сервисном центре или неквалифицированным специалистом;

ах) и следуйте им при выполнении работы. Внимательно изучите органы управления и правильный способ пользования устройством. Убедитесь, что вы знаете, как быстро остановить изделие и отключить органы управления.

- Ни в коем случае не разрешайте детям пользоваться инструментом. Не позволяйте взрослым работать на машине без соблюдения соответствующих инструкций.
- В рабочей зоне не должно быть посторонних лиц, особенно маленьких детей.
- Соблюдайте осторожность, чтобы избежать подкальзывания или падения, особенно при движении машины задним ходом.

#### Подготовка

- Внимательно осмотрите место эксплуатации машины, уберите все придверные коврики, санки, доски, провода и прочие посторонние предметы.
- Перед запуском (электро-)двигателя отключите все сцепления и переведите рычаги в нейтральное положение.
- Не работайте с машиной без надлежащей зимней одежды. Не надевайте просторную одежду, т.к. она может застрять в подвижных деталях. Надевайте обувь, которая обеспечит дополнительную устойчивость на скользких поверхностях.
- Во время эксплуатации, настройки или ремонтных работ всегда надевайте защитные очки или щитки для защиты глаз от посторонних

предметов, которые могут отлететь от оборудования.

- Соблюдайте осторожность при обращении с топливом, поскольку оно представляет собой легковоспламеняющуюся жидкость.
  - Пользуйтесь проверенными емкостями для топлива.
  - Запрещено доливать топливо при работающем или горячем двигателе.
  - Заполняйте топливный бак на улице, соблюдая предельную осторожность. Никогда не заправляйте топливный бак в помещении.
  - Ни в коем случае не заправляйте емкости внутри транспортных средств или на платформах или кузовах с пластмассовой облицовкой. Всегда устанавливайте емкости на землю в стороне от оборудования перед началом заправки.
  - По мере возможности заправка оборудования, работающего на бензине, на платформе или прицепе не допускается, заправлять его можно только на земле. Если это невозможно, заправляйте такое оборудование на прицепе из переносной канистры, а не из крана бензоколонки.
  - При заправке заправочным пистолетом нужно все время касаться ободка топливного бака или емкости. Не используйте топливные пистолеты с защелкой.
  - Установите крышку топливного бака на место и вытрите разлитое топливо.
  - При попадании топлива на одежду немедленно переоденьтесь.
- Для изделий с электрическим стартером используйте удлинительные шнуры и розетки с рекомендованными производителем характеристиками.
- Отрегулируйте высоту корпуса коллектора, чтобы он не касался поверхности, покрытой гравием или щебнем.
- Запрещено выполнять какие-либо регулировки при работающем (электро-)двигателе (кроме случаев, особо отмеченных производителем).

## Эксплуатация

- Не помещайте руки или ноги рядом с вращающимися деталями или под ними. Всегда держитесь в стороне от выпускного отверстия.
- Соблюдайте предельную осторожность при работе на гравийных подъездных дорожках, тротуарах или при их пересечении. Будьте внимательны при работе вблизи дорог общего пользования и следите за скрытыми рисками.
- В случае удара о посторонний предмет остановите (электро-)двигатель, отсоедините провод от свечи зажигания, отсоедините шнур на электродвигателях, внимательно осмотрите снегоотбрасыватель на наличие повреждений и

устраните их перед повторным запуском и эксплуатацией снегоотбрасывателя.

- В случае нехарактерной вибрации машины остановите (электро-)двигатель и незамедлительно выполните проверку, чтобы найти причину. Вибрация, как правило, является сигналом неисправности.
- Всегда останавливайте (электро-)двигатель, когда вы покидаете рабочее положение, перед очисткой коллектора/корпуса крыльчатки или желоба для выброса снега, а также при выполнении ремонтных работ, регулировки или осмотра.
- Запрещено запускать двигатель в помещении, за исключением случаев перемещения снегоотбрасывателя в помещение или из него. Откройте двери на улицу, поскольку выхлопные газы опасны.
- При работе на склоне соблюдайте предельную осторожность.
- Запрещено использовать машину, если на нее не установлены надлежащие щитки и иные защитные устройства.
- Ни в коем случае не направляйте выбрасываемый снег в сторону людей или мест, где существует риск повреждения имущества. Не подпускайте близко детей и других посторонних лиц.
- Не перегружайте машину, пытаясь убирать снег с более высокой скоростью.
- Не перемещайте машину с высокой скоростью на скользких поверхностях. Смотрите назад и будьте внимательны при передвижении задним ходом.
- Отключайте подачу питания на коллектор/крыльчатку, когда машина не используется, а также во время транспортировки.
- Используйте только одобренные производителем машины инструменты и принадлежности (например, колесные грузы, противовесы или кабины).
- Эксплуатация машины в условиях плохой видимости или недостаточного освещения запрещена. Всегда сохраняйте устойчивое положение ног и крепко держитесь за рукоятки. Во время эксплуатации изделия следует идти, ни в коем случае не бежать.
- Не прикасайтесь к горячему двигателю или глушителю.

## Очистка забитого желоба для выброса снега

- Контакт рук с вращающейся крыльчаткой внутри желоба для выброса снега является наиболее распространенной причиной травм, связанных с снегоотбрасывателями. Никогда не очищайте желоб для выброса снега руками.
- Чтобы очистить желоб:

1. ВЫКЛЮЧИТЕ ДВИГАТЕЛЬ!

2. Подождите 10 секунд, чтобы убедиться, что лопасти крыльчатки перестали вращаться.
3. Всегда используйте инструмент для очистки. Выполнять очистку руками запрещено.

### **Техническое обслуживание и хранение**

- Регулярно проверяйте срезные и другие болты для обеспечения необходимой затяжки и безопасного рабочего состояния оборудования.
- Никогда не храните машину с топливом в топливном баке в помещении, где присутствуют источники возгорания, такие как водонагреватели, обогреватели или сушилки для одежды. Дайте двигателю остынуть перед помещением его на хранение в какой-либо корпус.
- Если снегоотбрасыватель помещается на длительное хранение, обязательно изучите важную информацию в руководстве по эксплуатации.
- Следите за тем, чтобы надписи на предупреждающих табличках были читаемыми, при необходимости заменяйте такие таблички.
- Запустите машину через несколько минут после выброса снега, чтобы предотвратить замерзание коллектора/крыльчатки.
- Перед очисткой, ремонтом или осмотром снегоотбрасывателя отключите двигатель и дождитесь полной остановки коллектора/крыльчатки и всех подвижных деталей. Отсоедините провод свечи зажигания и держите его в стороне от свечи зажигания во избежание случайного запуска двигателя.

### **Общие инструкции по технике безопасности**

- Пользуйтесь изделием правильно. Неправильное использование может привести к травме или смертельному исходу. Изделие предназначено только для выполнения работ, описанных в данном руководстве. Запрещается использовать изделие для других видов работ.
- Соблюдайте инструкции, изложенные в данном руководстве. Обращайте внимание на знаки безопасности и следуйте инструкциям по технике безопасности. Несоблюдение оператором инструкций и знаков может привести к травме, повреждению или смерти.
- Не выбрасывайте это руководство. Следуйте инструкциям по сборке, эксплуатации и уходу за изделием. Используйте эти инструкции для правильной установки насадок и дополнительных принадлежностей. Используйте только апробированные насадки и аксессуары.
- Не используйте поврежденное изделие. Соблюдайте график техобслуживания. Выполняйте самостоятельно только те работы по техобслуживанию, которые описаны в данном руководстве. Все другие работы по

техобслуживанию должны выполняться авторизованным сервисным центром.

- В данное руководство невозможно включить все ситуации, которые могут возникнуть при использовании изделия. Будьте осторожны и руководствуйтесь здравым смыслом. Если вы не уверены в ситуации, не используйте изделие и не выполняйте его техобслуживание. Для получения необходимой информации обратитесь к специалисту по продукции, дилеру, специалисту по обслуживанию или в авторизованный сервисный центр.
- Отсоединяйте кабель свечи зажигания перед сборкой изделия, помещением его на хранение или проведением техобслуживания.
- Запрещается использовать изделие, если были изменены его исходные технические характеристики. Запрещено вносить изменения в конструкцию изделия без одобрения производителя. Используйте только рекомендованные производителем детали. Неправильное техобслуживание может привести к травме или смертельному исходу.
- Не вдыхайте выхлопные газы двигателя. Продолжительное вдыхание выхлопных газов двигателя опасно для здоровья.
- Запрещается запускать изделие в помещении или рядом с легковоспламеняющимися материалами. Выхлопные газы имеют высокую температуру и могут содержать искры, которые в свою очередь могут привести к пожару. Недостаточная вентиляция может привести к травме или смерти в результате удушья или отравления угарным газом.
- Во время работы вокруг двигателя создается электромагнитное поле. Электромагнитное поле может привести к повреждению медицинских имплантатов. Проконсультируйтесь с врачом и изготовителем имплантата перед использованием изделия.
- Не позволяйте детям использовать изделие. Не разрешайте пользоваться изделием людям, которые не знакомы с данными инструкциями.
- Не позволяйте людям с ограниченными физическими или умственными способностями пользоваться данным изделием без присмотра. Они должны постоянно находиться под присмотром взрослого.
- Запирайте изделие в месте, не доступном для детей и лиц, не допущенных к эксплуатации изделия.
- Во время работы изделие может отбрасывать находящиеся на земле предметы, что может привести к травме. Чтобы уменьшить риск получения серьезных или смертельных травм, соблюдайте инструкции по технике безопасности.
- Запрещается оставлять изделие с работающим двигателем без присмотра.
- При возникновении несчастного случая ответственность несет оператор изделия.

- Перед началом движения задним ходом и во время него внимательно смотрите назад и вниз, чтобы заметить детей, животных или предметы, из-за которых можно упасть.
- Перед использованием изделия проверьте детали на отсутствие повреждений.
- Прежде чем начать использование изделия, убедитесь, что вы находитесь на расстоянии не менее 15 м (50 футов) от других людей или животных. Убедитесь, что находящийся поблизости человек знает, чтобы вы будете использовать изделие.
- Соблюдайте требования национальных или местных законов. В некоторых случаях они могут запрещать или ограничивать использование изделия.

## Обучение

- Прежде чем запускать машину, прочитайте и изучите инструкции на машине и в руководстве(-ах) и следуйте им при выполнении работы. Внимательно изучите органы управления и правильный способ эксплуатации оборудования. Убедитесь, что вы знаете, как быстро остановить изделие и отключить органы управления.
- Ни в коем случае не разрешайте детям пользоваться оборудованием. Не позволяйте взрослым работать с оборудованием без получения соответствующих инструкций.
- В рабочей зоне не должно быть посторонних лиц, особенно маленьких детей.
- Соблюдайте осторожность, чтобы избежать подскользывания или падения, особенно при движении снегоотбрасывателя задним ходом.

## Инструкции по технике безопасности во время эксплуатации

- Не помещайте руки или ноги рядом с вращающимися деталями или под ними. Всегда держитесь в стороне от выпускного отверстия.
- Соблюдайте предельную осторожность при работе на гравийных подъездных дорожках, тротуарах и дорогах или при их пересечении. Внимательно следите за скрытыми рисками и дорожным движением.
- В случае удара о посторонний предмет остановите (электро-)двигатель, отсоедините провод от свечи зажигания, отсоедините шнур на электродвигателях, внимательно осмотрите изделие на наличие повреждений и уберите их перед повторным запуском и эксплуатацией изделия.
- В случае нехарактерной вибрации изделия остановите (электро-)двигатель и незамедлительно выполните проверку, чтобы найти причину. Вибрация, как правило, является сигналом неисправности.
- Всегда останавливайте (электро-)двигатель, когда вы покидаете рабочее положение, перед

очисткой корпуса шнека или дефлектора желоба, а также при выполнении ремонтных работ, регулировки или осмотра.

- Перед очисткой, ремонтом или осмотром изделия остановите двигатель и дождитесь полной остановки шнеков и всех подвижных деталей. Отсоедините провод свечи зажигания и держите его в стороне от свечи зажигания во избежание случайного запуска двигателя.
- Запрещено запускать двигатель в помещении, за исключением случаев перемещения изделия в помещение или из него. Откройте двери на улицу, поскольку выхлопные газы опасны.
- При работе на склоне соблюдайте предельную осторожность.
- Запрещено использовать изделие, если на него не установлены надлежащие щитки и иные защитные устройства.
- Ни в коем случае не направляйте дефлектор желоба в сторону людей или мест, где возможен ущерб собственности. Не подпускайте близко детей и других посторонних лиц.
- Не превышайте нагрузку на изделие, пытаясь убирать снег с более высокой скоростью.
- Не перемещайте изделие с высокой скоростью на скользких поверхностях. Смотрите назад и будьте внимательны при передвижении задним ходом.
- Отключайте подачу питания на шнеки, когда изделие не используется, а также во время транспортировки.
- Используйте только инструменты и принадлежности, одобренные производителем изделия (например, колесные грузы, противовесы или кабины).
- Эксплуатация изделия в условиях плохой видимости или низкого освещения запрещена. Всегда сохраняйте устойчивое положение ног и крепко держитесь за рукоятки. Во время эксплуатации изделия следует идти, ни в коем случае не бежать.
- Не прикасайтесь к горячему двигателю или глушителю.

## Техника безопасности на рабочем месте

- Внимательно осмотрите место применения оборудования, уберите все придорожные коврики, санки, доски, провода и прочие посторонние предметы.
- Перед запуском (электро-)двигателя отключите все сцепления и переведите рычаги в нейтральное положение.
- Не используйте изделие без надлежащей зимней одежды. Не надевайте просторную одежду, т.к. она может застрять в подвижных деталях. Надевайте обувь, которая обеспечит дополнительную устойчивость на скользких поверхностях.

- Соблюдайте осторожность при обращении с топливом, поскольку оно представляет собой легковоспламеняющуюся жидкость.
  - Пользуйтесь проверенными емкостями для топлива.
  - Запрещено доливать топливо при работающем или горячем двигателе.
  - Заполняйте топливный бак на улице, соблюдая предельную осторожность. Никогда не заправляйте топливный бак в помещении.
  - Ни в коем случае не заправляйте емкости внутри транспортных средств или на платформах или кузовах с пластмассовой облицовкой. Всегда устанавливайте емкости на землю в стороне от оборудования перед началом заправки.
  - По мере возможности заправка оборудования, работающего на бензине, на платформе или прицепе не допускается, заправлять его можно только на земле. Если это невозможно, заправляйте такое оборудование на прицепе из переносной канистры, а не из крана бензоколонки.
  - При заправке заправочным пистолетом нужно все время касаться ободка топливного бака или емкости. Не используйте топливные пистолеты с защелкой.
  - Установите крышку топливного бака на место и вытрите разлитое топливо.
  - При попадании топлива на одежду немедленно переоденьтесь.
- Для изделий с приводным или пусковым электродвигателем используйте удлинительные шнуры и розетки с рекомендованными производителем характеристиками.
- Отрегулируйте высоту корпуса шнека, чтобы он не касался поверхности, покрытой гравием или щебнем.
- Запрещено выполнять какие-либо регулировки при работающем (электро-)двигателе (кроме случаев, особо отмеченных производителем).
- Во время эксплуатации, настройки или ремонтных работ всегда надевайте защитные очки или щитки для защиты глаз от посторонних предметов, которые могут отлететь от оборудования.

## Средства индивидуальной защиты

Всегда используйте соответствующее защитное снаряжение при эксплуатации изделия. Это должна быть как минимум прочная обувь и защита органов зрения и слуха. Средства индивидуальной защиты не могут полностью исключить риск получения травмы, но при несчастном случае они снижают тяжесть травмы.

- Во время эксплуатации, технического обслуживания или ремонта изделия всегда надевайте защитные очки или щитки.

- При эксплуатации изделия всегда надевайте подходящую зимнюю одежду.
- При эксплуатации изделия всегда надевайте прочные нескользкие ботинки с хорошей поддержкой голенистопа.
- Не надевайте просторную одежду, т.к. она может застрять в подвижных деталях.
- При необходимости используйте проверенные защитные перчатки. Например, при установке, осмотре или очистке ножа.
- Всегда надевайте одобренные защитные наушники при использовании изделия. Длительное воздействие шума может привести к снижению слуха.

## Защитные устройства на изделии

- Регулярно выполняйте техническое обслуживание изделия.
  - Повышается срок службы изделия.
  - Уменьшается риск несчастных случаев.

Ваш авторизованный дилер или сервисный центр должен регулярно проверять изделие и выполнять необходимую регулировку и ремонт.

- Запрещается эксплуатировать изделие, если защитное оборудование повреждено. При повреждении изделия обращайтесь в авторизованный сервисный центр.

## Глушитель

Глушитель предназначен для максимального снижения уровня шума и отвода выхлопных газов в сторону от оператора.

Запрещается использовать изделие, если глушитель поврежден или отсутствует. Повреждение глушителя приводит к увеличению уровня шума и риску возгорания.



**ПРЕДУПРЕЖДЕНИЕ:** Глушитель значительно нагревается во время эксплуатации и сразу после остановки, а также во время работы двигателя на холостых оборотах. Во избежание возгорания соблюдайте осторожность при работе вблизи легковоспламеняющихся материалов и/или паров.

## Правила безопасного обращения с топливом



**ПРЕДУПРЕЖДЕНИЕ:** В обязательном порядке прочитайте следующие инструкции по технике безопасности, прежде чем приступать к эксплуатации изделия.

- Запрещается запускать изделие, если на него попало топливо или моторное масло. Удалите

постороннее топливо/масло и дайте изделию высохнуть.

- Если топливо попало на одежду, немедленно смените ее.
- Не допускайте попадания топлива на тело, это может причинить вред здоровью. При попадании топлива на тело смойте его водой с мылом.
- Запрещается запускать изделие при наличии утечки из двигателя. Регулярно проверяйте двигатель на наличие утечек.
- Соблюдайте осторожность при обращении с топливом. Топливо является легковоспламеняющейся жидкостью со взрывоопасными парами и может привести к серьезным или смертельным травмам.
- Запрещается вдыхать пары топлива, т. к. это может причинить вред здоровью. Убедитесь в наличии достаточного потока воздуха.
- Запрещается курить вблизи топлива или двигателя.
- Запрещается ставить теплые предметы рядом с топливом или двигателем.
- Запрещается доливать топливо при работающем двигателе.
- Прежде чем заправить изделие, убедитесь, что двигатель полностью остыл.
- Перед заправкой топлива медленно откройте крышку топливного бака и осторожно сбросьте давление.
- Запрещается заливать топливо в двигатель в помещении. Недостаточная вентиляция может привести к травме или смерти в результате удушья или отравления угарным газом.
- Плотнo затяните крышку топливного бака. Если крышка топливного бака не затянута, возникает риск пожара.
- Переместите изделие минимум на 3 м / 10 футов от места заправки топливом, прежде чем запустить его.
- Никогда не управляйте топливный бак полностью. Тепло приводит к расширению топлива. Оставьте место в верхней части топливного бака.

### Предупреждение о химических веществах



**ПРЕДУПРЕЖДЕНИЕ:** Выхлопные газы этого изделия содержат химические вещества, которые, как указано в законах

штата Калифорния, могут вызывать рак, пороки развития плода и другие нарушения репродуктивных функций. Дополнительную информацию можно найти на сайте [www.P65Warnings.ca.gov](http://www.P65Warnings.ca.gov).

## Инструкции по технике безопасности во время технического обслуживания



**ПРЕДУПРЕЖДЕНИЕ:** В обязательном порядке прочитайте следующие инструкции по технике безопасности, прежде чем приступить к эксплуатации изделия.

- Выхлопные газы из двигателя содержат окись углерода — не имеющий запаха, токсичный и чрезвычайно опасный газ. Запрещается запускать двигатель в помещении или в замкнутых пространствах.
- Прежде чем приступить к техобслуживанию изделия, остановите двигатель и отсоедините кабель от свечи зажигания.
- Надевайте защитные перчатки при техобслуживании ножей. Ножи очень острые, что при неосторожном обращении может легко привести к порезам.
- Использование принадлежностей или внесение изменений в конструкцию изделия, не одобренных производителем, может привести к серьезным или смертельным травмам. Запрещается вносить изменения в конструкцию изделия. Пользуйтесь только рекомендованными производителем принадлежностями.
- При несоблюдении правил и сроков выполнения техобслуживания риск получения травмы или повреждения изделия возрастает.
- Выполняйте техобслуживание строго в соответствии с инструкциями, приведенными в руководстве по эксплуатации. Все прочие виды сервисного обслуживания должны проводиться в авторизованном сервисном центре.
- Регулярно обращайтесь в авторизованный сервисный центр для проведения техобслуживания изделия.
- Замените поврежденные, сломанные или изношенные детали.

## Сборка



**ПРЕДУПРЕЖДЕНИЕ:** Перед сборкой изделия внимательно изучите раздел техники безопасности.

### Установка рукояток

1. Снимите 4 фланцевых болта M8x25 (A) с корпуса.
2. Используйте 4 фланцевых болта M8x25 (A), 4 пружинные проставки (B) и 4 плоские проставки (C).

- Установите нижнюю рукоятку (D) в 2 отверстия с каждой стороны корпуса. (Рис. 25)
- Используйте 3 стопорных болта рукоятки M8x50 (A), 3 проставки (B), 3 регулятора рукоятки (C) и 3 контргайки (D).
- Установите верхнюю рукоятку с панелью управления (E) на нижнюю рукоятку. (Рис. 26)

### Сборка дефлектора желоба

- Снимите диск поворотного механизма (B) и 6 фланцевых болтов с шестигранной головкой (D) с корпуса.
- Прикрепите диск поворотного механизма (B) и дефлектор желоба (A) к основанию желоба с помощью 3 ограничителей (C).
- С помощью 6 фланцевых болтов с шестигранной головкой (D) и 6 контргаек (E) зафиксируйте ограничители (C). (Рис. 27)

### Сборка поворотного механизма желоба

- Установите переднюю часть поворотного механизма желоба.
- Установите пластиковую втулку (B) на переднюю часть поворотного механизма желоба.
- Закрепите поворотный механизм желоба с помощью 1 плоской проставки (A) и 1 шпильки (C). (Рис. 28)
- Установите заднюю часть поворотного механизма желоба.
- Используйте 1 контргайку M8 (A), 1 пластмассовый регулятор блокировки рукоятки (B), 2 изогнутые проставки (C) и 1 винт для выравнивания (D), чтобы собрать поворотный механизм желоба.
- С помощью 1 шестигранной гайки M8 (E) закрепите поворотный механизм желоба (F) в отверстиях рукоятки. (Рис. 29)

### Сборка тяги управления скоростью движения

- Установите длинный изогнутый конец тяги управления скоростью движения (A) на панель управления и закрепите его с помощью 1 пружины соединительной тяги (B), 1 плоской проставки (C) и 1 шпильки (D). (Рис. 30)
- Потяните вверх соединительную пластину переключения (B) и установите короткий изогнутый конец тяги управления скоростью движения (A). Закрепите тягу управления скоростью движения (A) с помощью 1 плоской проставки (C) и 1 шпильки (D). (Рис. 31)
- При необходимости выдвиньте тягу управления скоростью движения. Ослабьте контргайки на стяжной муфте и поверните стяжную муфту. Затяните стяжную муфту до ее исходного положения, чтобы обеспечить надлежащий контроль скорости. Исходное положение отмечено на резьбе. (Рис. 32)

### Сборка шнека и приводных тросов

- Снимите 2 нарезных болта (B) с тросов (D).
- Установите 2 нарезных болта для тросов (B) в отверстия на левой и правой рукоятках (A). (Рис. 33)
- Подсоедините тросы (D) к нарезным болтам для тросов (B).
- Подсоедините и зафиксируйте левую и правую резьбовые вставки для тросов (D) и нарезной болт для тросов (B) так, чтобы верхняя часть латунной контргайки (C) совпала с меткой на резьбе (E).
- Зафиксируйте трос с помощью латунной контргайки (C).

## Эксплуатация



**ПРЕДУПРЕЖДЕНИЕ:** Перед использованием изделия ознакомьтесь с разделом по технике безопасности и инструкциями по эксплуатации.

### Перед началом эксплуатации изделия

- Позаботьтесь, чтобы в рабочей зоне не находились люди и животные.
- Выполняйте ежедневное обслуживание. См. раздел *График технического обслуживания на стр. 345*.

- Убедитесь в правильности подключения кабеля к свече зажигания.
- При необходимости залейте масло или бензин. См. раздел *Заправка двигателя маслом на стр. 343*.

### Заправка двигателя маслом



**ВНИМАНИЕ:** Не вращайте щуп во время проверки уровня масла. Не заливайте выше метки.

- Снимите крышку масляного бака и вытрите щуп. Расположение щупа см. в разделе *Обзор изделия на стр. 336*.

2. Долейте масло до верхней отметки на щупе. Регулярно проверяйте уровень масла с помощью щупа.
3. Установите крышку масляного бака на место.

## Заправка топливом

По возможности пользуйтесь экологическим/алкилатным бензином. При невозможности использовать экологический/алкилатный бензин используйте качественный неэтилированный бензин. Используйте бензин с октановым числом 90 RON за пределами Северной Америки (87 (R+M)/2 в Северной Америке) или выше, а также с максимальным содержанием этанола 10 % (E10).



**ВНИМАНИЕ:** Не используйте бензин с октановым числом ниже 90 RON за пределами Северной Америки (87 (R+M)/2 в Северной Америке) или выше, а также с содержанием этанола выше 10 %, что может привести к повреждению изделия.

1. Медленно откройте крышку топливного бака, чтобы стравить давление.
2. Медленно залейте топливо из канистры. Если вы пролили топливо, протрите его тряпкой и дайте оставшемуся топливу высохнуть.
3. Очистите поверхность вокруг крышки топливного бака.
4. Плотно затяните крышку топливного бака. Если крышка топливного бака не затянута, возникает риск пожара.
5. Переместите изделие минимум на 3 м (10 футов) от места заправки топливом, прежде чем запустить его.

## Регулировка дефлектора желоба

Направление выбрасывания снега регулируется с помощью органа управления поворотным механизмом желоба, установленного на левой рукоятке.

1. Поверните орган управления поворотным механизмом желоба, чтобы задать направление выбрасывания снега.
2. Поверните орган управления поворотным механизмом желоба по часовой стрелке, чтобы снег выбрасывался вправо.
3. Поверните орган управления поворотным механизмом желоба против часовой стрелки, чтобы снег выбрасывался влево. (Рис. 34)
4. Переместите угловой дефлектор вверх или вниз для регулировки дальности выброса снега. (Рис. 35)

## Запуск двигателя

1. Отпустите переключатель привода. Установите рычаг управления скоростью движения в первое положение.

2. Переведите выключатель топлива в положение ВКЛ. (Рис. 36)
3. Переведите заслонку в положение "ЗАКРЫТА". (Рис. 37)
4. Переведите ключ включения/выключения в положение ВКЛ, нажав на него. (Рис. 38)
5. Нажмите 1-3 раза на праймер, чтобы запустить подкачивающий насос. Используйте подкачивающий насос для холодного запуска при низких температурах. (Рис. 39)
6. Потяните ручку стартера. (Рис. 40)



**ВНИМАНИЕ:** Не отпускайте ручку стартера слишком резко. Медленно верните ее в исходное положение.

**Примечание:** Если ручка стартера замерзла, медленно вытяните как можно больше шнура из стартера и отпустите ручку стартера. Если двигатель не запускается, повторите процедуру или используйте электрический стартер.

7. Дайте двигателю поработать на холостых оборотах в течение 30-40 секунд, прежде чем приступить к уборке снега.
8. Когда двигатель прогреется, медленно переведите заслонку в положение "ОТКРЫТА". (Рис. 41)

## Запуск двигателя электрическим стартером



**ПРЕДУПРЕЖДЕНИЕ:** Изделие оснащено электрическим стартером 230 В перем. тока. Не используйте электрический стартер, если ваш дом не оснащен электрической системой 230 В перем. тока с заземлением. Это может привести к серьезным травмам или повреждению изделия. Электрический стартер оснащен трехжильным разъемом питания и предназначен для работы от бытовой розетки 230 В перем. тока. Убедитесь, что ваш дом оснащен электрической системой 230 В перем. тока с заземлением. В случае сомнений обратитесь к квалифицированному электрику.

**Примечание:** Используйте удлинительный шнур, рекомендованный для использования вне помещений, размером не менее 16 AWG (1,5 мм<sup>2</sup>) и не более 50 футов (15 м).

1. Отпустите переключатель привода. Установите рычаг управления скоростью движения в первое положение.



2. Переведите выключатель топлива в положение ВКЛ. (Рис. 36)
3. Переведите заслонку в положение "ЗАКРЫТА". (Рис. 37)
4. Переведите ключ включения/выключения в положение ВКЛ, нажав на него. (Рис. 38)
5. Нажмите 1-3 раза на праймер, чтобы запустить подкачивающий насос. Используйте подкачивающий насос для холодного запуска при низких температурах. (Рис. 39)
6. Подсоедините изделие к источнику питания. (Рис. 42)
7. Нажмите и удерживайте в течение 5 секунд кнопку запуска на блоке управления. (Рис. 43)
8. Если двигатель не запускается, подождите 5 секунд, затем снова нажмите кнопку запуска.



**ВНИМАНИЕ:** Не пытайтесь запустить двигатель более 10 раз. После 10 попыток подождите 40 минут, прежде чем попробовать снова.

9. Отсоедините шнур питания от изделия при запуске двигателя.
10. Дайте двигателю поработать на холостых оборотах в течение 30-40 секунд, прежде чем приступить к уборке снега.
11. Когда двигатель прогреется, медленно переведите заслонку в положение "ОТКРЫТА". (Рис. 41)

## Эксплуатация изделия

1. Для запуска шнека и выброса снега прижмите переключатель шнека. (Рис. 44)
2. Переведите рычаг управления скоростью движения влево, чтобы начать движение вперед. Переведите рычаг управления скоростью движения вправо, чтобы начать движение назад. (Рис. 45)
3. Включите привод с помощью переключателя на правой рукоятке.
4. Прижмите переключатель привода, чтобы привести в действие ведущие колеса. Изделие перемещается вперед или назад в зависимости

от положения рычага управления скоростью движения. (Рис. 46)

## Остановка изделия

**Примечание:** Для выключения двигателя в аварийной ситуации вытяните ключ включения/выключения.

1. Отпустите переключатель привода, чтобы остановить ведущие колеса.
2. Отпустите переключатель шнека, чтобы остановить шнек и выброс снега. (Рис. 47)
3. Переведите выключатель топлива в положение ВЫКЛ. (Рис. 48)
4. Извлеките ключ включения/выключения. (Рис. 49)

## Достижение оптимальных результатов

- Двигатель должен всегда работать на полной мощности или почти на полной мощности.
- Всегда регулируйте скорость изделия с помощью рычага управления скоростью движения в соответствии с количеством и качеством снега. Убедитесь, что изделие выбрасывает снег равномерно.
- Проще и эффективнее убирать снег сразу после того, как он выпал.
- По возможности направляйте выброс снега по ветру.
- Для использования на ровных поверхностях (например, на асфальтированных дорогах) установите защитные пластины на высоте 5-6 мм (0,2-0,25 дюйма) от земли.
- Скребок можно переворачивать. Когда он сотрется почти до края корпуса, переверните его. Замените скребок в случае повреждения или после износа с обеих сторон.
- Не используйте дефлектор желоба, если он забился.
- Если изделие не перемещается вперед по непредвиденным причинам, сразу отпустите рычаг включения привода хода или переведите ключ ВКЛ/ВЫКЛ в положение ВЫКЛ.

## Техническое обслуживание

### График технического обслуживания

Техническое обслуживание	Ежедневное обслуживание	20 часов	50 часов	100 часов
Проверьте затяжку гаек и винтов	X			

Техническое обслуживание	Ежедневное обслуживание	20 часов	50 часов	100 часов
Проверьте уровень моторного масла	X			
Замените масло <sup>121</sup>		X	X	X
Убедитесь в отсутствии утечек топлива или масла	X			
Удалите засоры, посторонние предметы из шнека	X			
Проверьте давление в шинах <sup>122</sup>			X	
Осмотрите и замените свечу зажигания <sup>123</sup>				X

**Примечание:** Коробка передач не требует добавления смазки или технического обслуживания.

## Выполнение общего осмотра

- Проверьте затяжку гаек и винтов на изделии.

## Проверка уровня масла



**ВНИМАНИЕ:** Слишком низкий уровень масла может привести к повреждениям двигателя. Проверьте уровень масла перед запуском изделия.

- Расположите изделие на ровной поверхности.
- Снимите крышку масляного бака вместе с щупом.
- Очистите щуп от масла.
- Поместите щуп полностью в масляный бак, чтобы получить достоверную информацию об уровне масла.
- Извлеките щуп.
- Проверьте уровень масла на щупе.
- Если уровень масла низкий, залейте моторное масло и проверьте уровень масла еще раз.

## Замена моторного масла

- Дайте двигателю поработать несколько минут, чтобы нагреть масло. Теплое масло лучше стекает, захватывая больше загрязнений.



**ПРЕДУПРЕЖДЕНИЕ:** Моторное масло горячее. Избегайте контакта отработанного моторного масла с кожей.

- Расположите изделие на ровной поверхности.
- Дайте двигателю поработать до полного израсходования топлива.
- Извлеките ключ зажигания.
- Установите емкость под сливную пробку.
- Извлеките сливную пробку, наклоните изделие назад и слейте отработанное масло в емкость. (Рис. 50)
- Верните изделие в рабочее положение.
- Установите сливную пробку и затяните ее от руки.
- Заправьте двигатель маслом, см. раздел *Заправка двигателя маслом на стр. 343.*

## Проверка свечи зажигания



**ВНИМАНИЕ:** Всегда используйте только указанный тип свечи. Использование неправильного типа свечи зажигания может привести к повреждению изделия.

- Проверьте свечу зажигания, если двигатель не набирает мощность, плохо заводится или плохо работает на холостых оборотах.
- Чтобы уменьшить риск появления нежелательного материала на электродах свечи зажигания, соблюдайте следующие инструкции:

<sup>121</sup> Заменяйте масло после первых 20, 50, 100 ч работы, а затем каждые 100 ч.

<sup>122</sup> Правильное давление в шинах см. в разделе "Технические данные".

<sup>123</sup> Проверяйте и очищайте свечу зажигания перед каждым сезоном эксплуатации.

- а) Убедитесь в правильности регулировки частоты оборотов холостого хода.
  - б) Убедитесь, что используется топливо правильного типа.
  - с) Убедитесь, что воздушный фильтр чист.
- Если свеча зажигания загрязнена, очистите ее и проверьте зазор между электродами, см. раздел *Технические данные на стр. 351*. (Рис. 51)
  - При необходимости замените свечу зажигания.

## Осмотр шнеков и скребка

1. Осматривайте шнеки и скребок на наличие износа каждый раз перед использованием.
2. Если край скребка изнашивался, переверните его другой стороной. Если скребок изношен с обеих сторон или поврежден, замените его.
3. В случае износа кромок шнека обратитесь в авторизованный сервисный центр для замены.

## Регулировка защитных пластин

Защитные пластины предотвращают повреждение нижней части снегоотбрасывателя. Отрегулируйте положение защитных пластин (А), если контргайка (В) ослаблена или защитная пластина находится на неправильном расстоянии от земли. При стандартной установке регулировка не требуется.

1. Ослабьте контргайку (В) с помощью рожкового ключа на 13 мм (½ дюйма).
2. Переместите защитные пластины (А) вверх или вниз.
  - а) Для использования на ровных поверхностях установите скребок на расстоянии 5-6 мм (0,2-0,25 дюйма) от земли.
  - б) Для использования на неровных поверхностях установите защитные пластины (А) таким образом, чтобы скребок был выше поверхности земли.



**ПРЕДУПРЕЖДЕНИЕ:** Убедитесь, что гравий и камни не попадают в изделие. Предметы, отброшенные с высокой скоростью, могут стать причиной травмы.

3. Затяните контргайку (В). (Рис. 52)

## Замена срезных штифтов

Срезные штифты защищают изделие от повреждений. При попадании посторонних

предметов в движущиеся части изделие выйдет из строя.

1. При поломке срезного штифта остановите двигатель.
2. Установите новый срезной штифт (А) и новую зажимную пружину (В). (Рис. 53)

## Проверка шин

- Не допускайте попадания на шины топлива, масла или химических веществ, т.к. они могут повредить резину.
- Не допускайте наезда шин на пни, камни, рытвины, острые и другие предметы, которые могут повредить шины.
- Поддерживайте правильное давление в шинах, см. раздел *Технические данные на стр. 351*.

## Очистка забитого дефлектора желоба для выброса снега

Перед устранением засора в дефлекторе желоба для выброса снега выполните следующую процедуру.

1. Одновременно отпустите рычаги включения шнека и привода хода.
2. Подождите 10 секунд до полной остановки шнеков.
3. Остановите изделие.
4. С помощью инструмента для очистки (длиной не менее 37 см (15 дюймов), входит в комплект поставки некоторых моделей) устраните засор.



**ПРЕДУПРЕЖДЕНИЕ:** Ни в коем случае не помещайте руки в дефлектор желоба для выброса снега или ковш со шнеком.

## Очистка изделия

- Очистите пластмассовые детали чистой и сухой тканью.
- Не используйте моечный агрегат высокого давления для очистки изделия.
- Не направляйте струю воды непосредственно на двигатель.
- Используйте щетку для удаления листьев, травы и грязи.

## Поиск и устранение неисправностей

### Поиск и устранение неисправностей

Проблема	Возможная причина	Решение
Изделие не запускается	Не вставлен предохранительный ключ зажигания.	Вставьте предохранительный ключ зажигания.
	В изделии нет топлива.	Залейте в топливный бак свежий чистый бензин.
	Ключ включения/выключения находится в положении ВЫКЛ.	Переведите ключ включения/выключения в положение ВКЛ.
	Заслонка в положении ВЫКЛ (ЗАКРЫТА).	Переведите заслонку в положение ВКЛ (ПОЛНОСТЬЮ ОТКРЫТА).
	Устройство подсоса не нажато.	Нажмите устройство подсоса.
	Двигатель залит.	Подождите несколько минут перед повторным запуском; НЕ ИСПОЛЬЗУЙТЕ устройство подсоса.  Перезапустите двигатель при полностью открытом дросселе и заслонке в положении ВЫКЛ (ЗАКРЫТА).
	Провод свечи зажигания не подсоединен.	Подсоедините провод к свече зажигания.
	Свеча зажигания неисправна.	Замените свечу зажигания.
	В топливе присутствует вода или слишком старое топливо.	Опорожните топливный бак и карбюратор. Залейте в топливный бак свежий чистый бензин.
	Пар в топливопроводе.	Убедитесь, что топливопровод расположен ниже выходного отверстия топливного бака. Топливопровод должен идти от топливного бака к карбюратору с неизменным наклоном вниз.
	Другие причины.	Внимательно ознакомьтесь с процедурами запуска в данном руководстве.
Выключатель топлива (при наличии) в положении ЗАКРЫТО (ВЫКЛ).	Переведите выключатель топлива в положение ОТКРЫТО (ВКЛ).	
Ручка дросселя в положении СТОП.	Переведите ручку дросселя в положение БЫСТРО.	

Проблема	Возможная причина	Решение
Пониженная мощность	Провод свечи зажигания не подсоединен.	Подсоедините провод к свече зажигания.
	Изделие выбрасывает слишком много снега.	Уменьшите скорость и рабочую ширину.
	Крышка топливного бака покрыта слоем льда или снега.	Удалите лед и снег с крышки топливного бака и вокруг нее.
	Глушитель загрязнен или засорен.	Очистите или замените глушитель.
	Неверная длина троса.	Отрегулируйте длину троса.
	Глушитель засорен.	Убедитесь, что двигатель остыл. Удалите засор.
	Воздухозаборник карбюратора засорен.	Убедитесь, что двигатель остыл. Удалите засор.
Двигатель работает вхолостую или рывками	Заслонка в положении ВКЛ (ПОЛНОСТЬЮ ОТКРЫТА).	Переведите заслонку в положение ВЫКЛ (ЗАКРЫТА).
	Топливопровод засорен.	Очистите топливопровод.
	В топливе присутствует вода или слишком старое топливо.	Опорожните топливный бак и карбюратор. Залейте в топливный бак свежий чистый бензин.
	Необходимо заменить карбюратор.	Обратитесь в авторизованный сервисный центр.
	Ремень растянулся.	Замените клиновой ремень шнека.
Чрезмерная вибрация / движение рукоятки	Ослабление деталей. Шнеки повреждены.	Затяните все крепления. Замените поврежденные детали. Если вибрация не исчезла, обратитесь в авторизованный сервисный центр.
	Рукоятки установлены неправильно.	Убедитесь, что рукоятки закреплены на месте.
	Гайки регулировочного рычага ослаблены.	Затяните гайки таким образом, чтобы обеспечить надежную фиксацию рукоятки.
Тяжело тянуть ручку стартера	Ручка стартера замерзла.	Медленно вытяните как можно больше шнура из стартера и отпустите ручку стартера. Если двигатель не запускается, повторите процедуру или используйте электрический стартер.
	Шнур задевает какие-то компоненты.	Шнур стартера не должен задевать за какие-либо провода или шланги.

<b>Проблема</b>	<b>Возможная причина</b>	<b>Решение</b>
Потеря тягового усилия/ снижение скорости движения  Сниженный или замедленный выброс снега	Ремень проскальзывает.	Отрегулируйте длину троса. Отрегулируйте ремень.
	Ремень изношен.	Проверьте / замените ремень.
	Ремень соскочил со шкива.	Проверьте / установите ремень на место.
	Дефлектор желоба забился.	Очистите дефлектор желоба.
	Шнеки засорены посторонними предметами.	Удалите мусор и посторонние предметы из шнеков.
	Сломан срезной штифт.	Замените сломанный срезной штифт.
	Между компонентами гусеничного хода скапливается снег и лед.	Удаляйте снег и лед, который скапливается между компонентами гусеничного хода.
	Колесо фрикционного привода изношено.	Обратитесь в авторизованный сервисный центр.
Шнек не вращается после отпускания ручки	Приводной ремень не отрегулирован.	Отрегулируйте приводной ремень.
	Дефлектор желоба для выброса снега не отрегулирован.	Отрегулируйте дефлектор желоба для выброса снега.
Фонари не горят (при наличии)	Двигатель не работает.	Запустите двигатель.
	Ослаблено соединение провода.	Проверьте соединения проводов на двигателе и фонарях.
	Перегорел светодиод.	Замените модуль светодиодов. Отдельные светодиоды не подлежат замене.
Поворотную головку желоба трудно перемещать	В поворотный механизм желоба попал мусор.	Очистите внутренние части поворотного механизма желоба.
	Тросы перекручены или повреждены.	Убедитесь, что тросы не перекручены. Замените поврежденные тросы.
Изделие уводит в сторону	Неравномерное давление в шинах.	Отрегулируйте давление в шинах и накачайте шины.
	Изделие перемещается только на одном колесе.	Проверьте шплинт колеса.
	Неравномерно отрегулированы салазки.	Отрегулируйте защитные пластины и салазки.
	Неравномерно отрегулированы защитные пластины.	Отрегулируйте защитные пластины и салазки.

# Транспортировка, хранение и утилизация

## Транспортировка и хранение

- Перед помещением на хранение и транспортировкой изделия и топлива убедитесь в отсутствии утечек или испарения топлива. Искры или источники открытого огня, например, от электрических устройств или котлов, могут привести к пожару.
- Всегда используйте рекомендованные контейнеры для хранения и транспортировки топлива.
- Перед помещением изделия на длительное хранение опорожните топливный бак.
- Если топливная камера карбюратора имеет сливную пробку, слейте топливо из карбюратора перед тем, как поместить изделие на длительное хранение.
- Надежно закрепите изделие на время транспортировки для предотвращения повреждений или аварий.

- Храните изделие в запечатом помещении для предотвращения доступа к изделию детей или посторонних лиц.
- Храните изделие в сухом и защищенном от низких температур месте.

## Утилизация

- Соблюдайте местное законодательство и действующие нормы.
- Утилизируйте все химические вещества, например моторное масло или топливо, в сервисном центре или в специально предназначенном для этого месте.
- Утилизируйте изделие в специальном одобренном месте для утилизации или отправьте его в Husqvarna для утилизации.

## Технические данные

### Технические данные

	ST 124
<b>Размеры</b>	
Масса с пустыми баками, кг	76
Макс. рабочее давление в шинах, фунт/кв. дюйм	20
Высота впуска, см	53,3
Рабочая ширина, см	61
<b>Двигатель</b>	
Марка	Husqvarna
Номинальная мощность двигателя, кВт	4,3
Объем двигателя, куб. см	212
Тип топлива	Обычный неэтилированный (максимальное содержание этанола 10%)
Емкость топливного бака, галл. / л	0,58 / 2,2
Тип масла (API SJ-SN)	SAE 5W30 (ниже 0°C (32°F))
Емкость масляного бака, унц. / л	20 / 0,6
<b>Электрическая система</b>	
Свеча зажигания	F7RTC

	<b>ST 124</b>
Зазор между электродами свечи зажигания (дюйм / мм)	0,027-0,031 / 0,7-0,8
<b>Излучение шума</b> <sup>124</sup>	
Уровень мощности звука, измеренный, дБ(А)	100
Уровень мощности звука, гарантированный, L <sub>WA</sub> дБ(А)	102
<b>Уровни шума</b> <sup>125</sup>	
Уровень шумового давления на уши оператора, L <sub>PA</sub> , дБ(А)	86
<b>Уровни вибрации, a<sub>hveq</sub></b> <sup>126</sup>	
Уровень вибрации на рукоятке, левая / правая	4,15 / 4,08

<sup>124</sup> Излучение шума в окружающую среду измеряется как мощность звука (L<sub>WA</sub>) согласно директивам ЕС 2000/14/ЕС и 2005/88/ЕС. Указанные данные об уровне излучения шума имеют типичный статистический разброс (стандартное отклонение) в 1,5 дБ(А). Погрешность = 1,5 дБ(А)

<sup>125</sup> Уровень шумового давления в соответствии с EN ISO 11201. Указанные данные об уровне шумового давления имеют типичный статистический разброс (стандартное отклонение) в 1,5 дБ(А). Погрешность = 1,5 дБ(А)

<sup>126</sup> Уровень вибрации в соответствии с ISO 8437-4, приложение В. Погрешность = 1,5 м/с<sup>2</sup>



# Декларация соответствия ЕС

## СОДЕРЖАНИЕ ДЕКЛАРАЦИИ О СООТВЕТСТВИИ ЕС

Компания Husqvarna, SE-561 82 Huskvarna,  
ШВЕЦИЯ, под свою исключительную

ответственность заявляет, что представленное  
изделие:

Описание	Снегоотбрасыватель
Марка	Husqvarna
Платформа / Тип / Модель	ST 124
Партия	Серийный номер с 2020 года и далее

полностью соответствует следующим директивам и  
нормам ЕС:

Директива/Норматив	Описание
2006/42/EC	"о механическом оборудовании"
2014/30/EU	"об электромагнитной совместимости"
2000/14/EC; 2005/88/EC	"об излучении шума от оборудования, размещенного вне помещения"
2011/65/EU	"об ограничении использования опасных веществ"

Применяются следующие согласованные стандарты  
и/или технические спецификации: EN ISO  
12100:2010, EN ISO 14982:2009, ISO 8437-1:2019,  
ISO 8437-2:2019, ISO 8437-4:2019, ISO 3744:1995, EN  
1032:2003+A1:2008, EN 50581:2012

В соответствии с директивой 2000/14/EC  
+2005/88/EC, приложение V, заявленные значения  
звукового давления указаны в разделе технических  
данных настоящего руководства и в подписанной  
декларации соответствия ЕС.

Поставляемый снегоотбрасыватель соответствует  
эталоноу, прошедшему контроль.

От имени Husqvarna AB, SE-561 82 Huskvarna,  
ШВЕЦИЯ, 2020-02-07



Клаес Лосдал (Claes Losdal)

Лицо, ответственное за сбор технических файлов,  
действующих в ЕС

---

## Sadržaj

---

Uvod.....	354	Rešavanje problema.....	364
Bezbednost.....	355	Transport, skladištenje i odlaganje.....	366
Sklapanje.....	359	Tehnički podaci.....	367
Rukovanje.....	360	EZ deklaracija o usaglašenosti.....	368
Održavanje.....	362		

---

## Uvod

---

### Pregled proizvoda

(Sl. 1)

1. Aktiviranje svrdla
2. Kontrolna ručica brzine pogona
3. Kontrolna tabla
4. Sajla svrdla
5. Kontrola obrtača kanala
6. Usmerivač kanala
7. Alat za čišćenje
8. Kućište svrdla
9. Svrdla
10. Zaštitna ploča
11. Pneumatik
12. Otvor za sipanje ulja
13. Motor
14. Donja ručka
15. Upravljačka šipka brzine pogona
16. Pogonska sajla
17. Ručica startovanja povratnim užetom
18. Aktiviranje pogona
19. Ručke
20. Pumpa za gorivo
21. Čok
22. Prekidač za gorivo
23. Ključ za uključivanje/isključivanje
24. Korisničko uputstvo

### Opis proizvoda

Proizvod je bacač snega koji se koristi za uklanjanje snega sa tla.

### Namena

Ovaj se proizvod može koristiti za uklanjanje snega sa polja, puteva, pešačkih staza i prilaza za automobil. Nemojte ga koristiti na nagibima koji su veći od 15°. Nemojte koristiti proizvod u oblastima gde ima mnogo otpadaka, nečistoće i isturenog kamenja.

### Symbols on the product

---

**Napomena:** If the decals on the product are damaged, contact the distributor to replace them.

---

- |          |   |
|----------|---|
| (Sl. 2)  | Warning.  |
| (Sl. 3)  | Read the operator's manual.   |
| (Sl. 4)  |   |
| (Sl. 5)  | Hot surface.  |
| (Sl. 6)  | Risk of fire.   |
| (Sl. 7)  | Choke.  |
| (Sl. 8)  | Pull starter rope handle.   |
| (Sl. 9)  | Do not breathe in the exhaust fumes from the engine.  |
| (Sl. 10) | Do not put any part of the body into the chute deflector or the auger housing when the augers rotate.                         |
| (Sl. 11) | Stop the engine before you remove snow from the chute deflector. Use the clean-out tool to remove snow, do not do it by hand. |
| (Sl. 12) |   |
| (Sl. 11) | Keep hands away from the chute deflector.   |
| (Sl. 13) | Objects can be ejected from the product.  |
| (Sl. 14) | Keep bystanders away from the product when operating.   |
| (Sl. 15) | Remove key before maintenance.  |
| (Sl. 16) | Push in the on/off key to the RUN position.   |
| (Sl. 17) | Turn the fuel switch to the ON position.  |
| (Sl. 18) | Push the primer.  |
| (Sl. 19) | Risk of falling.  |

- (Sl. 20) Move slowly rearward.
- (Sl. 21) Use approved protective gloves.
- (Sl. 22) Use a protective helmet. Use approved hearing protection. Use approved eye protection.
- (Sl. 23) Noise emissions to the environment according to European Directive 2000/14/EC and New South Wales legislation "Protection of the Environment Operations (Noise Control) Regulation 2017". Noise emission data can be found on the machine label and in the Technical data chapter.
- (Sl. 24) European machinery directive for safety.

**Napomena:** Other symbols/decals on the product refer to certification requirements for some markets.

## Emisije Euro V.



**UPOZORENJE:** Neovlašćene prepravke motora poništavaju EU tip odobrenja za ovaj proizvod.

## Proizvođač

Husqvarna AB

Drottninggatan 2, SE-561 82 Huskvarna

## Odgovornost za proizvod

Kako je izloženo u zakonima o odgovornosti za proizvode, mi nismo odgovorni za oštećenja prouzrokovana našim proizvodom u sledećim slučajevima:

- proizvod je popravljen na pogrešan način
- proizvod je popravljen korišćenjem delova koji nisu napravljeni ili odobreni od strane proizvođača
- proizvod ima opremu koja ne potiče ili nije odobrena od strane proizvođača
- proizvod nije popravljen u ovlašćenom servisnom centru ili od strane ovlašćenog stručnjaka

## Bezbednost

### Bezbednosne definicije

Definicije navedene u nastavku pružaju nivo ozbiljnosti za svaku signalnu reč.



**UPOZORENJE:** Telesne povrede osoba.



**OPREZ:** Oštećenje proizvoda.

**Napomena:** Ove informacije olakšavaju korišćenje proizvoda.

## Prakse bezbednog rada za bacače snega kojima upravlja rukovalac koji se kreće

### Opšte napomene

Ova mašina može da amputira šake i stopala i da odbaci predmete. Nepoštovanje bezbednosnih uputstava u nastavku bi moglo da dovede do teških povreda.

### Obuka

- Pročitajte, shvatite i pratite sva uputstva na mašini i u priručnicima pre nego što počnete da radite sa jedinicom. Temeljno se upoznajete sa kontrolama i

pravilnim načinom rukovanja mašinom. Naučite kako da zaustavite jedinicu i brzo deaktivirate kontrole.

- Nikad ne dozvolite deci da upravljaju mašinom. Nikad ne dozvolite odraslima da rukuju mašinom bez prethodne propisne obuke.
- Vodite računa da u oblasti rada nema osoba, naročito male dece.
- Budite pažljivi kako biste izbegli klizanje ili padanje, naročito kada radite sa mašinom u hod u nazad.

### Priprema

- Pažljivo pregledajte mesto na kojem ćete koristiti mašinu i uklonite sve otkrača, sanke, daske, žice i druge strane predmete.
- Deaktivirajte sva kvačila i osovinu u neutralni položaj pre pokretanja motora.
- Nemojte rukovati mašinom ako ne nosite odgovarajuću zimsku odeću. Izbegavajte nošenje široke odeće koja se može uhvatiti u pokretne delove. Nosite obuću koja će poboljšati stabilan položaj nogu na klizavim površinama.
- Uvek nosite zaštitne naočare ili štitnike za oči tokom rada ili prilikom vršenja podešavanja ili popravki kako biste zaštitili oči od stranih predmeta koje mašina može da odbaci.
- Pažljivo rukujte gorivom, ono je veoma zapaljivo.
  - Koristite odobreni kanister za gorivo.
  - Nikad nemojte da dolivate gorivo dok motor radi ili je vruć.
  - Sipajte gorivo u rezervoar za gorivo na otvorenom prostoru i uz izuzetnu pažnju. Nikad

- nemojte sipati gorivo u rezervoar za gorivo u zatvorenom prostoru.
- Nikad nemojte puniti kanistere unutar vozila ili na kamionu ili platformi prikolice sa plastičnom oblogom. Uvek stavite kanistere na tlo na udaljenosti od vozila pre sipanja goriva.
- Kada je izvodljivo, uklonite opremu na gas sa kamiona ili prikolice i sipajte gorivo na tlu. Ako to nije moguće, onda sipajte gorivo u tu opremu na prikolici pomoću prenosivog kanistera pre nego sa mlaznica creva sa benzinom.
- Držite mlaznicu tako da dodiruje obod otvora rezervoara za gorivo ili kanistera sve vreme dok sipate gorivo. Nemojte koristiti mlaznicu sa uređajem sa otvorenim zaključavanjem.
- Zamenite benzinsku kapicu sigurno i obrišite prosuto gorivo.
- Ako prospete gorivo na odeću, odmah se presvucite.
- Koristite produžne kablove i priključke kako je naznačio proizvođač za sve jedinice sa električnim motorima za pokretanje.
- Podesite visinu kućišta sakupljača kako biste izbegli šljunak ili smrvljene delove betonske površine.
- Nikad nemojte pokušavati da vršite podešavanja kada motor radi (osim kada je specifično preporučio proizvođač).

## Rukovanje

- Ne stavljajte šake i stopala blizu ili ispod delova koji rotiraju. Uvek se držite dalje od otvora za izbacivanje.
- Budite izuzetno pažljivi kada radite na ili prelazite preko šljunkovitih prilaza ili staza. Pazite na skrivene opasnosti ili tokom rada blizu javnih puteva.
- Nakon udaranja o strani predmet, zaustavite motor, uklonite žicu iz svećice, odspojite kabl sa električnih motora, detaljno pregledajte bacač snega u pogledu bilo kakvih oštećenja i popravite oštećenja pre ponovnog pokretanja i rada sa bacačem snega.
- Ako mašina počne da vibrira abnormalno, zaustavite motor i odmah potražite uzrok vibracija. Vibracije su generalno znak mogućeg neispravnog rada.
- Zaustavite motor kad god napuštate položaj rukovaoca, pre otčepijavanja kućišta sakupljača/rotora ili kanala za izbacivanje i kada vršite popravke, podešavanja ili preglede.
- Nemojte dozvoliti da motor radi u zatvorenom prostoru, osim prilikom pokretanja motora i tokom transportovanja bacača snega u ili iz zgrade. Otvorite spoljna vrata, izduvni gasovi su opasni.
- Strogo vodite računa pri radu na nagibima.
- Nikad nemojte raditi sa mašinom bez odgovarajućih štitnika i drugih bezbednosnih zaštitnih uređaja koji su postavljeni i ispravno rade.
- Nikad nemojte usmeravati izbacivanje prema ljudima ili oblastima u kojima može doći do oštećenja imovine. Držite decu i druge osobe podalje.

- Nemojte preopterećivati kapacitet mašine pokušavanjem da čistite sneg previše brzo.
- Nikad nemojte raditi sa mašinom pri velikim transportnim brzinama na klizavim površinama. Pogledajte iza sebe i budite pažljivi kada radite u hodu unazad.
- Deaktivirajte napajanje na sakupljaču/rotoru kada se mašina transportuje ili se ne koristi.
- Koristite samo dodatke i opremu koji su odobreni od strane proizvođača mašine (kao što su tegovi za točkove, kontrategovi ili kabine).
- Nikad nemojte upravljati mašinom ako nema dobre vidljivosti ili osvetljenja. Uvek vodite računa o položaju nogu i održavajte čvrsti stisak na ručkama. Hodajte, ne trčite.
- Nikad nemojte dodirivati vruć motor ili prigušivač.

## Čišćenje začepljenog kanala za izbacivanje

- Kontakt rukom sa rotorom koji se okreće unutar kanala za izbacivanje je najčešći uzrok povrede povezane sa bacačima snega. Nikad nemojte rukom čistiti kanal za izbacivanje.
- Čišćenje kanala:
  - ISKLJUČITE MOTOR!
  - Sačekajte 10 sekundi kako biste bili sigurni da su se lopatice rotora zaustavile.
  - Uvek koristite alat za čišćenje, nikako ruke.

## Održavanje i skladištenje

- Proverite posmične navrtke i druge navrtke u čestim intervalima kako biste se uverili u ispravnu zategnutost i da je oprema u bezbednom radnom stanju.
- Nikad nemojte da skladištite mašinu sa gorivom u rezervoaru za gorivo unutar zgrade gde su prisutni izvori paljenja kao što su kotlovi za zagrevanje vode, kotlovi za zagrevanje prostorija ili sušilice za odeću. Sačekajte da se motor ohladi pre skladištenja u zatvorenom prostoru.
- Uvek pogledajte priručnik sa uputstvima za važne detalje ako je potrebno da se bacač snega skladišti tokom produženih perioda.
- Održavajte ili zamenite bezbednosne nalepnice, prema potrebi.
- Pustite da mašina radi nekoliko minuta nakon izbacivanja snega kako bi se sprečilo mržnjenje sakupljača/rotora.
- Prilikom čišćenja, popravke ili pregleda bacača snega, zaustavite motor i uverite se da su se svi pokretni delovi sakupljača/rotora zaustavili. Odvojite žicu svećice i držite žicu podalje od svećice kako biste sprečili da neko nehodito ne pokrene motor.

## Opšta bezbednosna uputstva

- Koristite proizvod na ispravan način. Telesna povreda ili smrt su mogući rezultat neispravnog korišćenja. Koristite proizvod samo za zadatke navedene u ovom uputstvu. Nemojte koristiti proizvod za druge zadatke.

- Pratite instrukcije navedene u ovom uputstvu. Pratite bezbednosne simbole i bezbednosna uputstva. Ako rukovalac ne prati uputstva i simbole, oštećenje, telesna povreda ili smrt su mogući rezultati.
- Nemojte baciti ovo uputstvo. Koristite uputstva kako biste sklopili, rukovali i održavali proizvod u dobrom stanju. Koristite uputstva za ispravno montiranje dodatka i opreme. Koristite isključivo odobrene dodatke i opremu.
- Nemojte koristiti oštećeni proizvod. Pridržavajte se šeme održavanja. Vršite samo one radove održavanja za koje pronađete instrukcije u ovom uputstvu. Ovlašćeni servisni centar mora izvršiti sve druge radove održavanja.
- Ovo uputstvo ne može sadržavati sve situacije koje se mogu pojaviti prilikom korišćenja proizvoda. Budite pažljivi i koristite zdrav razum. Nemojte rukovati proizvodom ili vršiti održavanje ako niste sigurni u pogledu određene situacije. Obratite se stručnjaku za proizvod, prodavcu, servisnom zastupniku ili ovlašćenom servisnom centru kako biste dobili više informacija.
- Iskopčajte kabl svećice pre nego što sklopite proizvod, uskladištite ga ili izvršite održavanje.
- Nemojte koristiti proizvod ako je izmenjen od inicijalnih specifikacija. Nemojte menjati deo na proizvodu bez odobrenja od strane proizvođača. Koristite samo delove koji su odobreni od strane proizvođača. Telesna povreda ili smrt su mogući rezultat nepravilnog održavanja.
- Nemojte udisati isparenja iz motora. Dugotrajno udisanje izduvnih gasova motora je opasno za zdravlje.
- Nemojte pokretati proizvod u zatvorenom prostoru ili blizu zapaljivih materijala. Izduvni gasovi su vrući i mogu imati varnicu koja može potpaliti požar. Nedovoljan protok vazduha može izazvati telesnu povredu ili smrt usled gušenja ili prisustva ugljenmonoksida.
- Kada koristite ovaj proizvod, motor stvara elektromagnetno polje. Elektromagnetno polje može izazvati oštećenje medicinskih implantata. Posavetujte se sa svojim lekarom i proizvođačem medicinskog implantata pre nego što počnete da rukujete ovim proizvodom.
- Nemojte dozvoliti da dete rukuje proizvodom. Ne dozvolite neobučenim osobama da rukuju proizvodom.
- Pobrinite se da uvek nadzirete osobu sa smanjenim fizičkim ili mentalnim sposobnostima koja koristi proizvod. Odgovorna odrasla osoba mora biti prisutna sve vreme.
- Proizvod čuvajte na mestu gde deca i neovlašćene osobe nemaju pristup.
- Proizvod može da izbacuje predmete i tako izazove telesne povrede. Pridržavajte se bezbednosnih uputstava kako biste smanjili rizik od telesne povrede ili smrti.
- Nemojte se udaljavati od proizvoda kada motor radi.
- Rukovalac proizvoda je odgovoran u slučaju ako dođe do nesreće.
- Pre i dok se krećete unazad, pogledajte iza sebe i dole da li ima male dece, životinja ili postoje druge opasnosti koje bi mogle izazvati da padnete.
- Uverite se da delovi nisu oštećeni pre nego što koristite proizvod.
- Uverite se da ste udaljeni najmanje 15 m (50 stopa) od drugih osoba ili životinja pre nego što koristite proizvod. Uverite se da osobe u okolnom području znaju da ćete koristiti proizvod.
- Pogledajte nacionalne ili lokalne zakone. Oni mogu sprečavati ili umanjiti načine za rad proizvoda u određenim slučajevima.

## Obuka

- Pročitajte, shvatite i pratite sva uputstva na mašini i u priručnicima pre nego što počnete da radite sa jedinicom. Temeljno se upoznajete sa kontrolama i pravilnim načinom rukovanja opremom. Naučite kako da zaustavite jedinicu i brzo deaktivirate kontrole.
- Nikad ne dozvolite deci da rukuju opremom. Nikad ne dozvolite odraslima da rukuju opremom bez prethodne propisne obuke.
- Vodite računa da u oblasti rada nema osoba, naročito male dece.
- Budite pažljivi kako biste izbegli klizanje ili padanje, naročito kada radite sa bacačem snega u hod u unazad.

## Bezbednosna uputstva za rad

- Ne stavljajte šake i stopala blizu ili ispod delova koji rotiraju. Uvek se držite dalje od otvora za izbacivanje.
- Budite izuzetno pažljivi kada radite na ili prelazite preko šljunkovitih prilaza, staza ili puteva. Pazite na skrivene opasnosti ili saobraćaj.
- Nakon udaranja o strani predmet, zaustavite motor, uklonite žicu iz svećice, odspojite kabl sa električnih motora, detaljno pregledajte proizvod u pogledu bilo kakvih oštećenja i popravite oštećenja pre ponovnog pokretanja i rada sa proizvodom.
- Ako proizvod počne da vibrira abnormalno, zaustavite motor i odmah potražite uzrok vibracija. Vibracije su generalno znak mogućeg neispravnog rada.
- Zaustavite motor kad god napuštate položaj rukovaoca, pre otčepijivanja kućišta svrdla ili usmerivača kanala i kada vršite popravke, podešavanja ili preglede.
- Prilikom čišćenja, popravke ili pregleda proizvoda, zaustavite motor i uverite se da su se svrdla i svi pokretni delovi zaustavili. Odvojite žicu svećice i držite žicu podalje od svećice kako biste sprečili da neko nehotično ne pokrene motor.
- Nemojte dozvoliti da motor radi u zatvorenom prostoru, osim prilikom pokretanja motora i tokom

transportovanja proizvoda u ili iz zgrade. Otvorite spoljna vrata, izduvni gasovi su opasni.

- Strogo vodite računa pri radu na nagibima.
- Nikad nemojte raditi sa proizvodom bez odgovarajućih štitnika i drugih bezbednosnih zaštitnih uređaja koji su postavljeni i ispravno rade.
- Nikad nemojte usmeravati usmerivač kanala prema ljudima ili oblastima u kojima može doći do oštećenja imovine. Držite decu i druge osobe podalje.
- Nemojte preopterećivati kapacitet proizvoda pokušavanjem da čistite sneg previše brzo.
- Nikad nemojte raditi sa proizvodom pri velikim transportnim brzinama na klizavim površinama. Pogledajte iza sebe i budite pažljivi kada radite u hodu unazad.
- Deaktivirajte napajanje na svrdlima kada se proizvod transportuje ili se ne koristi.
- Koristite samo dodatke i opremu koji su odobreni od strane proizvođača proizvoda (kao što su tegovi za točkove, kontrategovi ili kabine).
- Nikad nemojte upravljati proizvodom ako nema dobre vidljivosti ili osvetljenja. Uvek vodite računa o položaju nogu i održavajte čvrsti stisak na ručkama. Hodajte, ne trčite.
- Nikad nemojte dodirivati vruć motor ili prigušivač.

## Bezbednost u radnom području

- Pažljivo pregledajte mesto na kojem ćete koristiti opremu i uklonite sve otirača, sanke, daske, žice i druge strane predmete.
- Deaktivirajte sva kvačila i osovinu u neutralni položaj pre pokretanja motora.
- Nemojte rukovati proizvodom ako ne nosite odgovarajuću zimsku odeću. Izbegavajte nošenje široke odeće koja se može uhvatiti u pokretne delove. Nosite obuću koja će poboljšati stabilan položaj nogu na klizavim površinama.
- Pažljivo rukujte gorivom, ono je veoma zapaljivo.
  - Koristite odobreni kanister za gorivo.
  - Nikad nemojte da dolivate gorivo dok motor radi ili je vruć.
  - Sipajte gorivo u rezervoar za gorivo na otvorenom prostoru i uz izuzetnu pažnju. Nikad nemojte sipati gorivo u rezervoar za gorivo u zatvorenom prostoru.
  - Nikad nemojte puniti kanistere unutar vozila ili na kamionu ili platformi prikolice sa plastičnom oblogom. Uvek stavite kanistere na tlo na udaljenosti od vozila pre sipanja goriva.
  - Kada je izvodljivo, uklonite opremu na gas sa kamiona ili prikolice i sipajte gorivo na tlu. Ako to nije moguće, onda sipajte gorivo u tu opremu na prikolici pomoću prenosivog kanistera pre nego sa mlaznica creva sa benzinom.
  - Držite mlaznicu tako da dodiruje obod otvora rezervoara za gorivo ili kanistera sve vreme dok sipate gorivo. Nemojte koristiti mlaznicu sa uređajem sa otvorenim zaključavanjem.

- Zamenite benzinsku kapicu sigurno i obrišite prosuto gorivo.
- Ako prospete gorivo na odeću, odmah se presvucite.
- Koristite produžne kablove i priključke kako je naznačio proizvođač za sve jedinice sa električnim pogonskim motorima ili električnim motorima za pokretanje.
- Podesite visinu kućišta svrdla kako biste izbegli šljunak ili smrvljene delove betonske površine.
- Nikad nemojte pokušavati da vršite podešavanja kada motor radi (osim kada je specifično preporučio proizvođač).
- Uvek nosite zaštitne naočare ili štitnike za oči tokom rada ili prilikom vršenja podešavanja ili popravki kako biste zaštitili oči od stranih predmeta koje mašina može da odbaci.

## Lična zaštitna oprema

Uvek koristite odgovarajuću ličnu zaštitnu opremu dok koristite proizvod. To uključuje, kao minimum, čvrstu obuću, zaštitu za oči i zaštitu za uši. Lična zaštitna oprema ne može da otkloni rizik od povrede, ali može da umanjí stepen povrede ako dođe do nezgode.

- Uvek nosite zaštitne naočare ili zaštitu za oči dok radite sa proizvodom ili vršite održavanje ili popravke.
- Uvek nosite odgovarajuću zimsku odeću kada radite sa proizvodom.
- Uvek nosite čvrste neključice čizme sa dobrom potporom za članke kada radite sa proizvodom.
- Nemojte nositi široku odeću koja se može uhvatiti u pokretne delove.
- Koristite odobrene zaštitne rukavice, ako je potrebno. Na primer, kada postavljate, pregledate ili čistite nož.
- Uvek koristite odobrenu zaštitu za uši tokom rada sa proizvodom. Izloženost buci tokom dužeg vremenskog perioda može dovesti do gubitka sluha izazvanog bukom.

## Bezbednosni uređaji na proizvodu

- Pobrinite se da redovno vršite održavanje proizvoda.
  - Time se produžava radni vek proizvoda.
  - Time se smanjuje rizik od nesreća.

Neka ovlašćeni prodavac ili ovlašćeni servisni centar redovno pregledaju proizvod kako bi izvršili podešavanja ili popravke.

- Nemojte koristiti proizvod na kojem je oštećena zaštitna oprema. Ako je proizvod oštećen, obratite se ovlašćenom servisnom centru.

## Prigušivač

Prigušivač održava nivoe buke na minimumu i šalje izduvne gasove od rukovaoca.

Ne koristite proizvod ako prigušivač nedostaje ili je oštećen. Oštećeni prigušivač povećava nivo buke i rizik od požara.



**UPOZORENJE:** Prigušivač postaje veoma vrući tokom i nakon korišćenja i kada motor radi pri brzini praznog hoda. Budite pažljivi u blizini zapaljivih materijala i/ili isparenja kako biste sprečili požar.

## Bezbednost oko goriva



**UPOZORENJE:** Pročitajte upozoravajuća uputstva koja slede pre korišćenja proizvoda.

- Nemojte pokretati proizvod ako na njemu postoje tragovi goriva ili motornog ulja. Uklonite neželjeno gorivo/ulje i sačekajte da se proizvod osuši.
- Ako prospete gorivo na odeću, odmah je presvucite.
- Nemojte dozvoliti da gorivo dospe na vaše telo, ono može izazvati telesnu povredu. Ako vam gorivo dospe na telo, uklonite ga vodom i sapunom.
- Nemojte pokretati proizvod ako postoji curenje iz motora. Redovno proveravajte da li postoji curenje iz motora.
- Budite oprezni pri rukovanju gorivom. Gorivo je zapaljivo a isparenja su eksplozivna i mogu izazvati telesne povrede ili smrt.
- Nemojte udisati isparenja goriva, to može izazvati telesnu povredu. Pobrinite se da ima dovoljno protoka vazduha.
- Nemojte pušiti u blizini goriva ili motora.
- Nemojte stavljati vruće predmete blizu goriva ili motora.
- Nemojte dolivati gorivo kada motor radi.
- Uverite se da je motor hladan pre dopunjavanja goriva.
- Pre dopunjavanja goriva, lagano otvorite poklopac rezervoara za gorivo i pažljivo otpustite pritisak.
- Nemojte dolivati gorivo u motor u zatvorenom prostoru. Nedovoljan protok vazduha može izazvati telesnu povredu ili smrt usled gušenja ili prisustva ugljen-monoksida.

- Do kraja zategnite čep rezervoara za gorivo. Ako čep rezervoara za gorivo nije zategnut, postoji opasnost od požara.
- Izmaknite proizvod bar 3 m / 10 stopa od mesta na kojem ste napunili rezervoar pre pokretanja.
- Ne puniti rezervoar za gorivo do vrha. Toplota izaziva širenje goriva. Ostavite prazan prostor na vrhu rezervoara za gorivo.

## Upozorenje u vezi sa hemikalijama



**UPOZORENJE:** Izduvni gasovi motora iz ovog proizvoda sadrže hemikalije za koje se zna u Kaliforniji da izazivaju rak, defekte na rođenju i druge reproduktivne probleme. Za više informacija posetite stranicu [www.P65Warnings.ca.gov](http://www.P65Warnings.ca.gov).

## Bezbednosna uputstva za održavanje



**UPOZORENJE:** Pročitajte upozoravajuća uputstva koja slede pre korišćenja proizvoda.

- Izduvni gasovi iz motora sadrže ugljen-monoksid, otrovan i veoma opasan gas bez mirisa. Nemojte puštati motor u rad u zatvorenim prostorima.
- Pre održavanja proizvoda zaustavite motor i uklonite kabl za paljenje sa svećice.
- Nosite zaštitne rukavice kada vršite održavanje na noževima. Noževi su veoma oštri i lako dolazi do posekotina.
- Oprema i izmene na proizvodu koji nisu odobreni od strane proizvođača mogu da izazovu teške telesne povrede ili smrt. Nemojte vršiti izmene na proizvodu. Koristite samo delove koje je odobrio proizvođač.
- Ako se održavanje ne vrši na ispravan način i redovno, raste rizik od telesnih povreda i oštećenja proizvoda.
- Obavljajte samo poslove održavanja opisana u ovom korisničkom uputstvu. Ostalo servisiranje mora da obavlja ovlašćeni serviser.
- Neka ovlašćeni serviser redovno servisira proizvod.
- Zamenite oštećene, pohabane ili pokvarene delove.

## Skapanje



**UPOZORENJE:** Pre skapanja proizvoda je potrebno da pročitate i razumete poglavlje o bezbednosti.

### Postavljanje ručki

1. Uklonite 4 M8x25 navrtke prirubnice (A) sa okvira.
2. Koristite 4 M8x25 navrtke prirubnice (A), 4 odstojnika opruge (B) i 4 ravna odstojnika (C).
3. Postavite donju ručku (D) u 2 otvora na svakoj strani okvira. (Sl. 25)

4. Koristite 3 M8x50 navrtke za zaključavanje ručke (A), 3 odstojnika (B), 3 dugmeta ručke (C) i 3 navrtke za osiguranje (D).
5. Postavite gornju ručku sa kontrolnom tablom (E) na donju ručku. (Sl. 26)

### Skapanje usmerivača kanala

1. Uklonite disk obrtača (B) i šestougaonih navrtki prirubnice (D) sa okvira.
2. Postavite disk obrtača (B) i usmerivač kanala (A) na bazu kanala pomoću 3 granična bloka (C).

3. Koristite 6 šestougaonih navrtki prirubnice (D) i 6 navrtki za osiguranje (E) da biste zaključali granične blokove (C). (Sl. 27)

## Sklopanje obrtača kanala

1. Sklopite prednji kraj obrtača kanala.
2. Postavite plastični umetak (B) na prednji kraj obrtača kanala.
3. Postavite obrtač kanala pomoću 1 ravnog odstojnika (A) i 1 ukosnice (C). (Sl. 28)
4. Sklopite zadnji kraj obrtača kanala.
5. Pomoću 1 navrtke za osiguranje M8 (A), 1 plastičnog dugmeta za zaključavanje ručke (B), 2 zakrivljena odstojnika (C) i 1 vijčane poluge (D) sklopite obrtač kanala.
6. Pomoću 1 šestougaone navrtke M8 (E) učvrstite obrtač kanala (F) u otvore na ručki. (Sl. 29)

## Sklopanje upravljačke šipke brzine pogona

1. Postavite dugi savijeni kraj upravljačke šipke brzine pogona (A) na kontrolnu tablu i pričvrstite pomoću 1 opruge spona (B), 1 ravnog odstojnika (C) i 1 natikača (D). (Sl. 30)

2. Povucite nagore ploču za spajanje prebacivanja (B) i postavite kratki savijeni kraj upravljačke šipke brzine pogona (A). Postavite upravljačku šipku brzine pogona (A) pomoću 1 ravnog odstojnika (C) i 1 natikača (D). (Sl. 31)
3. Ako je potrebno, produžite upravljačku šipku brzine pogona. Otpustite navrtke za osiguranje kopče i zavrtite kopču. Ponovo zategnite kopču u originalnu lokaciju za ispravnu kontrolu brzine. Originalna lokacija je označena na navojima. (Sl. 32)

## Sklopanje svrdla i upravljačkih sajli

1. Uklonite 2 vijka sajle (B) sa sajli (D).
2. Postavite 2 vijka sajle (B) na otvore na levoj i desnoj ručki (A). (Sl. 33)
3. Postavite sajle (D) na vijke sajli (B).
4. Povežite i zaključajte umetak navoja (D) leve i desne sajle i vijak sajle (B) dok vrh mesingane navrtke za osiguranje (C) ne bude poravnat sa oznakom na navojima (E).
5. Zaključajte sajlu pomoću mesingane navrtke za osiguranje (C).

---

## Rukovanje

---



**UPOZORENJE:** Pre rukovanja proizvodom pažljivo pročitajte i shvatite poglavlje o bezbednosti i uputstva za rukovanje.

### Pre pokretanja proizvoda

- Neka osobe i životinje budu udaljene od radnog područja.
- Vršite dnevno održavanje. Pogledajte *Šema održavanja na stranici 362*.
- Uverite se da kabl za paljenje ispravno leži na svećici.
- Dodajte ulje ili benzin, ako je potrebno. Pogledajte *Punjenje motora uljem na stranici 360*.

### Punjenje motora uljem



**OPREZ:** Nemojte okretati šipku za merenje tokom provere ulja. Nemojte puniti iznad oznake.

1. Uklonite čep za ulje i dobro obrišite šipku za merenje. Pogledajte *Pregled proizvoda na stranici 354* za lokaciju šipke za merenje.
2. Dolijte ulje do gornje oznake na šipci za merenje. Redovno proveravajte nivo ulja pomoću šipke za merenje.
3. Vratite čep za ulje.

### Dosipanje goriva

Ako je dostupan, koristite alkilatni benzin / benzin koji proizvodi manju količinu štetnih izduvnih gasova. Ako nije dostupan alkilatni benzin / benzin koji proizvodi manju količinu štetnih izduvnih gasova, koristite bezolovni benzin dobrog kvaliteta. Koristite benzin oktanskog broja 90 RON van Severne Amerike (87 (R+M)/2 u Severnoj Americi) ili većeg, sa najviše 10% etanola (E10).



**OPREZ:** Van Severne Amerike ne koristite benzin čiji je oktanski broj manji od 90 RON (87 (R+M)/2 u Severnoj Americi). To može prouzrokovati oštećenje proizvoda.

1. Polako otvorite čep rezervoara za gorivo da biste izjednačili pritisak.
2. Polako napunite iz kanistera za gorivo. Ako prospete gorivo, obrišite ga grpom i sačekajte da se preostalo gorivo osuši.
3. Obrišite deo oko čepa rezervoara za gorivo.
4. Do kraja zategnite čep rezervoara za gorivo. Ako čep rezervoara za gorivo nije zategnut, postoji opasnost od požara.
5. Izmaknite proizvod bar 3 m (10 stopa) od mesta na kojem ste napunili rezervoar pre pokretanja.



## Podešavanje usmerivača kanala

Smer u kojem će se sneg izbacivati se kontrolirše putem kontrole obrtača kanala koja je postavljena na levoju ručki.

1. Okrenite kontrolu obrtača kanala da biste podesili rotirajući smer izbacivanja snega.
2. Rotirajte kontrolu obrtača kanala udesno da bi se sneg izbacivao nadesno.
3. Rotirajte kontrolu obrtača kanala ulevo da bi se sneg izbacivao nalevo. (Sl. 34)
4. Pomerite usmerivač ugla gore ili dole da biste podesili udaljenost izbacivanja snega. (Sl. 35)

## Pokretanje motora

1. Otpustite aktiviranje pogona. Postavite kontrolnu ručicu brzine pogona u prvi položaj.
2. Okrenite prekidač za gorivo u položaj UKLJUČENO. (Sl. 36)
3. Okrenite čok u položaj ZATVORENO. (Sl. 37)
4. Pritisnite ključ za uključivanje/isključivanje u položaj RAD. (Sl. 38)
5. Pritisnite pumpu za gorivo 1–3 puta da bi se pokrenula pumpa pobuđivača. Koristite pumpu pobuđivača za hladno pokretanje na niskim temperaturama. (Sl. 39)
6. Povucite ručicu startovanja povratnim užetom. (Sl. 40)



**OPREZ:** Nemojte prebrzo pustiti ručicu startovanja povratnim užetom. Polako je vratite u početni položaj.

**Napomena:** Ako se ručica startovanja povratnim užetom zaledila, polako izvucite što je više užeta moguće i pustite ručicu startovanja povratnim užetom. Ako se motor ne pokrene, ponovite postupak ili koristite električni starter.

7. Pustite da motor radi 30–40 sekundi pri brzini praznog hoda pre nego što počnete da čistite sneg.
8. Kada je motor topao, lagano pomerite čok u položaj OTVORENO. (Sl. 41)

## Pokretanje motora, električno pokretanje



**UPOZORENJE:** Proizvod ima električni starter od 230 volti naizmjenične struje. Nemojte koristiti električni starter ako vaša kuća nema ispravno postavljen sistem uzemljenja od 230 volti naizmjenične struje. Teške telesne povrede ili oštećenje proizvoda se mogu desiti. Električni starter ima trožični utikač i dizajniran je za električnu struju od 230 volti naizmjenične struje u domaćinstvu. Uverite se da vaša

kuća ima ispravno postavljen sistem uzemljenja od 230 volti naizmjenične struje. Ako niste sigurni, konsultujte licenciranog električara.

**Napomena:** Koristite produžni kabl koji je preporučen za upotrebu na otvorenom prostoru, koji ima veličinu žice ne manju od 1,5 mm<sup>2</sup> (16 AWG) i koji nije duži od 15 m (50 stopa).

1. Otpustite aktiviranje pogona. Postavite kontrolnu ručicu brzine pogona u prvi položaj.
2. Okrenite prekidač za gorivo u položaj UKLJUČENO. (Sl. 36)
3. Okrenite čok u položaj ZATVORENO. (Sl. 37)
4. Pritisnite ključ za uključivanje/isključivanje u položaj RAD. (Sl. 38)
5. Pritisnite pumpu za gorivo 1–3 puta da bi se pokrenula pumpa pobuđivača. Koristite pumpu pobuđivača za hladno pokretanje na niskim temperaturama. (Sl. 39)
6. Povežite proizvod na napajanje. (Sl. 42)
7. Pritisnite i držite dugme za pokretanje na kontrolnoj kutiji tokom 5 sekundi. (Sl. 43)
8. Ako se motor ne pokrene, sačekajte 5 sekundi pa ponovo pritisnite dugme za pokretanje.



**OPREZ:** Nemojte pokušavati da pokrenete motor više od 10 puta. Nakon 10 pokušaja, sačekajte 40 minuta pre nego što ponovo pokušate.

9. Iskopčajte kabl napajanja sa proizvoda kada je motor pokrenut.
10. Pustite da motor radi 30–40 sekundi pri brzini praznog hoda pre nego što počnete da čistite sneg.
11. Kada je motor topao, lagano pomerite čok u položaj OTVORENO. (Sl. 41)

## Rad sa proizvodom

1. Stisnite aktiviranje svrdla na ručki da biste aktivirali svrdlo i počeli čistiti sneg. (Sl. 44)
2. Pomerite kontrolnu ručicu brzine pogona ulevo za rad proizvoda unapred. Pomerite kontrolnu ručicu brzine pogona udesno za rad proizvoda unazad. (Sl. 45)
3. Rukujte aktiviranjem pogona pomoću desne ručke.
4. Stisnite aktiviranje pogona na ručki da biste aktivirali pogonske točkove. Proizvod se pokreće unapred ili unazad u zavisnosti od lokacije kontrolne ručice brzine pogona. (Sl. 46)

## Zaustavljanje proizvoda

**Napomena:** Da biste isključili motor u slučaju nužde, izvucite ključ za uključivanje/isključivanje.

1. Otpustite aktiviranje pogona da biste zaustavili pogonske točkove.
2. Otpustite aktiviranje svrdla da biste deaktivirali svrdlo i prestali čistiti sneg. (Sl. 47)
3. Okrenite prekidač za gorivo u položaj ISKLJUČENO. (Sl. 48)
4. Izvucite ključ za uključivanje/isključivanje. (Sl. 49)

## Za dobre rezultate

- Uvek radite tako da je motor pri punom gasu ili blizu punog gasa.
- Uvek prilagodite brzinu proizvođača situaciji sa snegom i podesite brzinu pomoću kontrolne ručice brzine pogona. Uverite se da proizvod ujednačeno čisti sneg.

- Lakše je i efikasnije očistiti sneg odmah nakon što padne.
- Uvek čistite sneg niz vetar kad god je to moguće.
- Na ravnim površinama, kao što su asfaltirani putevi, podignite zaštitne ploče do 5–6 mm (0,2–0,25 inča) iznad tla.
- Traka strugača je reverzibilna. Kada postane pohabana skoro do ivice kućišta, preokrenite je. Zamenite traku strugača ako je oštećena ili ako su obe strane pohabane.
- Nemojte prazniti usmerivač kanala ako je začepljen.
- Ako se proizvod ne kreće napred usled nepredviđenih okolnosti, odmah otpustite aktiviranje pogona ili pomerite ključ za uključivanje/isključivanje u položaj za ISKLJUČIVANJE.

## Održavanje

### Šema održavanja

Održavanje	Dnevno	20 časova	50 časova	100 časova
Uverite se da su navrtke i zavrtnji za-tegnuti	X			
Proverite nivo motor-nog ulja	X			
Zamenite ulje <sup>127</sup>		X	X	X
Uverite se da nema curenja goriva ili ulja	X			
Uklonite začepljenje, strane predmete iz svrdla	X			
Proverite pritisak u pneumaticima <sup>128</sup>			X	
Pregledajte i zamen-ite svećicu <sup>129</sup>				X

**Napomena:** Nije potrebno dodavati mast ili vršiti drugo održavanje na menjaču.

### Vršenje opšteg pregleda

- Uverite se da su sve navrtke i zavrtnji na proizvodu ispravno pritegnuti.

### Provera nivoa ulja



**OPREZ:** Previše nizak nivo ulja može da ošteti motor. Proverite nivo ulja pre pokretanja proizvoda.

1. Stavite proizvod na ravno tlo.
2. Uklonite poklopac rezervoara za ulje sa šipkom za merenje.

<sup>127</sup> Zamenite ulje nakon prvih 20 č, 50 č, 100 č i zatim na svakih 100 č.

<sup>128</sup> Pogledajte Tehničke podatke za ispravan pritisak u pneumaticima.

<sup>129</sup> Proverite i očistite svećicu pre upotrebe svake godine.

- Obrišite ulje na šipki za merenje.
- Stavite šipku za merenje do kraja u rezervoar za ulje da biste tačno izmerili nivo ulja.
- Uklonite šipku za merenje.
- Očitajte nivo ulja na šipci.
- Ako je nivo ulja nizak, dospite motorno ulje i ponovo proverite nivo.

## Zamena motornog ulja

- Pustite da motor radi nekoliko minuta kako bi se ulje zagrejalo. Toplo ulje bolje protiče i odstranjuje više kontaminanta.



**UPOZORENJE:** Motorno ulje je vruće. Izbegavajte kontakt kože sa korišćenim motornim uljem.

- Stavite proizvod na ravno tlo.
- Pustite da motor radi dok se sve gorivo ne potroši.
- Uklonite ključ za paljenje.
- Stavite sud ispod čepa za ispuštanje ulja.
- Uklonite čep za ispuštanje ulja, nagnite proizvod unazad i ispuštite korišćeno ulje u posudu. (Sl. 50)
- Vratite proizvod u radni položaj.
- Postavite čep za ispuštanje ulja i sigurno ga zategnite rukom.
- Napunite motor uljem, pogledajte *Punjenje motora uljem na stranici 360*.

## Pregled svećice



**OPREZ:** Uvek koristite preporučeni tip svećice. Neodgovarajući tip svećice može da ošteti proizvod.

- Pregledajte svećicu ako je snaga motora mala, ako se teško pokreće ili nepravilno radi u praznom hodu.
- Da biste smanjili rizik od nakupljanja neželjenog materijala na elektrodama svećice, poštujujte sledeća uputstva:
  - Uverite se da je broj obrtaja na praznom hodu pravilno podešen.
  - Uverite se da je tip goriva odgovarajući.
  - Uverite se da je filter za vazduh čist.
- Ako je svećica prljava, očistite je i ujedno proverite da li je razmak između elektroda tačan, pogledajte *Tehnički podaci na stranici 367*. (Sl. 51)
- Zamenite svećicu ako je potrebno.

## Pregled svrdla i trake strugača

- Pre svake upotrebe, pregledajte svrdla i traku strugača u pogledu habanja.
- Ako je ivica trake strugača pohabana, preokrenite traku strugača. Ako traka strugača ima oštećenja ili je pohabana na obe ivice, zamenite je.

- Ako su ivice svrdla pohabane, obratite se ovlašćenom servisnom centru radi njihove zamene.

## Podešavanje zaštitnih ploča

Zaštitne ploče sprečavaju oštećenje na dnu bacača snega. Podesite zaštitne ploče (A) kada je stezna navrtka (B) labava, ili kada zaštitna ploča nije na ispravnom rastojanju od tla. Nije potrebno podešavanje za standardnu instalaciju.

- Otpustite steznu navrtku (B) pomoću ključa od 13 mm (½ inča).
- Pomerite zaštitne ploče (A) gore ili dole.
  - Na ravnim površinama, podesite rastojanje između trake strugača i tla na 5–6 mm (0,2–0,25 inča).
  - Na grubim površinama, podesite zaštitne ploče (A) u položaj gde je traka strugača iznad vrha tla.



**UPOZORENJE:** Uverite se da šljunak ili kamenčići ne ulaze u proizvod. Predmeti koji su izbačeni velikom brzinom mogu da izazovu povredu.

- Zategnite steznu navrtku (B). (Sl. 52)

## Zamena posmične igle

Posmična igla štiti proizvod od oštećenja. Ona se lomi ako strani predmet uđe u pokretne delove.

- Ako se posmična igla polomi, zaustavite motor.
- Postavite novu posmičnu iglu (A) i novu steznu oprugu (B). (Sl. 53)

## Pregled pneumatika

- Održavajte pneumatike tako da na njima nema tragova goriva, ulja i hemikalija kako biste sprečili oštećenje gume.
- Vodite računa da pneumatici ne priđu panjevima, kamenju, ulegnućima, ostrim predmetima i drugim predmetima koji bi mogli oštetiti pneumatike.
- Održavajte ispravan pritisak, pogledajte *Tehnički podaci na stranici 367*.

## Čišćenje začepljenog usmerivača kanala za izbacivanje

Nemojte otčepljivati usmerivač kanala za izbacivanje pre nego što obavite sledeće radnje.

- Otpustite aktiviranje svrdla i aktiviranje pogona u isto vreme.
- Sačekajte 10 sekundi kako biste se uverili da su se svrdla zaustavila.
- Zaustavite proizvod.
- Pomoću alata za čišćenje (najmanje 37 cm (15 inča) dugog, koji se isporučuje za neke modele) uklonite začepljenje.



**UPOZORENJE:** Nemojte stavljati ruke unutar usmerivača kanala za izbacivanje ili korita svrdla.

- Nemojte da koristite čistač pod visokim pritiskom za čišćenje proizvoda.
- Nemojte direktno ispirati motor vodom.
- Uklonite lišće, travu i prljavštinu pomoću četke.

## Čišćenje proizvoda

- Očistite plastične delove čistom i suvom krpom.

## Rešavanje problema

### Rešavanje problema

Problem	Mogući uzrok	Rešenje
Proizvod ne može da se pokrene	Bezbednosni ključ za paljenje nije umetnut.	Umetnite bezbednosni ključ za paljenje.
	Proizvod je ostao bez goriva.	Napunite rezervoar za gorivo svežim, čistim benzinom.
	Ključ za uključivanje/isključivanje je u položaju za ISKLJUČIVANJE.	Pomerite ključ za uključivanje/isključivanje u položaj za UKLJUČIVANJE.
	Čok je u položaju ISKLJUČENO (ZATVORENO).	Pomerite čok u položaj UKLJUČENO (POTPUNO OTVORENO).
	Pumpa za gorivo nije pritisnuta.	Pritisnite pumpu za gorivo.
	Motor je presisao.	Sačekajte nekoliko minuta pre ponovnog pokretanja. NEMOJTE pritisnuti pumpu za gorivo.  Ponovo pokrenite motor pod punim gasom i dok je čok u položaju ISKLJUČENO (ZATVORENO).
	Žica svećice nije povezana.	Povežite žicu na svećicu.
	Svećica je neispravna.	Zamenite svećicu.
	Voda je u gorivu ili je gorivo suviše staro.	Ispraznite rezervoar za gorivo i karburator. Napunite rezervoar za gorivo svežim, čistim benzinom.
	Para je zarobljena u vodu goriva.	Uverite se da je ceo vod goriva ispod izlaza rezervoara za gorivo. Vod goriva treba da se proteže kontinuirano dole od rezervoara za gorivo do karburatora.
	Drugi uzroci.	Pažljivo pogledajte procedure pokretanja u ovom priručniku.
	Prekidač za gorivo (ako je tako opremljeno) je u položaju ZATVORENO (ISKLJUČENO).	Okrenite prekidač za gorivo u položaj OTVORENO (UKLJUČENO).
Gas je u položaju STOP.	Pomerite gas u položaj BRZO.	

<b>Problem</b>	<b>Mogući uzrok</b>	<b>Rešenje</b>
Smanjena snaga	Žica svećice nije povezana.	Povežite žicu na svećicu.
	Proizvod izbacuje previše snega.	Smanjite brzinu i širinu čišćenja.
	Čep rezervoara za gorivo je prekriven ledom ili snegom.	Uklonite led i sneg sa i oko čepa rezervoara za gorivo.
	Prigušivač je zaprljan ili zapušten.	Očistite ili zamenite prigušivač.
	Nedovoljna dužina kabla.	Podesite kabl.
	Prigušivač je blokiran.	Uverite se da je motor hladan. Uklonite blokadu.
	Usis vazduha karburatora je blokiran.	Uverite se da je motor hladan. Uklonite blokadu.
Motor ima neujednačen rad kao i prazan hod	Čok je u položaju UKLJUČENO (POTPUNO OTVORENO).	Pomerite čok u položaj ISKLJUČENO (ZATVORENO).
	Vod goriva je blokiran.	Očistite vod goriva.
	Voda je u gorivu ili je gorivo suviše staro.	Ispraznite rezervoar za gorivo i karburator. Napunite rezervoar za gorivo svežim, čistim benzinom.
	Potrebno je zameniti karburator.	Obratite se ovlašćenom servisnom centru.
	Remen je istegnut.	Zamenite klinasti remen svrdla.
Prekomerne vibracije / pokretanje ručke	Neki delovi su labavi. Svrdla su oštećena.	Zategnite sve pričvršćivače. Zamenite oštećene delove. Ako se vibracije i dalje pojavljuju, obratite se ovlašćenom servisnom centru.
	Ručke nisu pravilno postavljene.	Uverite se da su ručke postavljene na svom mestu.
	Navrtke poluge za podešavanje su labave.	Zategnite navrtke dok ručke ne izgledaju učvršćeno.
Ručica startovanja povratnim užetom se teško povlači	Ručica startovanja povratnim užetom je zaleđena.	Polako izvucite što je više užeta moguće i pustite ručicu startovanja povratnim užetom. Ako se motor ne pokrene, ponovite postupak ili koristite električni starter.
	Uže smeta komponentama.	Povratno uže ne sme da dodiruje žice ili creva.

Problem	Mogući uzrok	Rešenje
Gubitak vučnog pogona / usporavanje brzine vožnje	Remen proklizava.	Podesite kabl. Podesite remen.
	Remen je pohaban.	Proverite/zamenite remen.
Gubitak izbacivanja snega ili usporavanje izbacivanja snega	Remen je izvan remenice.	Proverite / ponovo postavite remen.
	Usmerivač kanala je začepljen.	Očistite usmerivač kanala.
	Strani predmeti zaglavljaju svrdla.	Uklonite otpatke ili strane predmete sa svrdla.
	Posmična igla je polomljena.	Zamenite polomljenu posmičnu iglu.
	Prekomerno nagomilavanje snega i leda između komponenti gazišta.	Uklonite nagomilani sneg i led između komponenti gazišta.
	Pogonski točak sa trenjem je pohaban.	Obratite se ovlašćenom servisnom centru.
Neuspelo rotiranje svrdla nakon otpuštanja stiska	Pogonski remen nije poravnat.	Podesite pogonski remen.
	Usmerivač za izbacivanje nije poravnat.	Podesite usmerivač za izbacivanje.
Svetla nisu uključena (ako su tako opremljena)	Motor ne radi.	Pokrenite motor.
	Žična veza je labava.	Proverite žične veze na motoru i svetlima.
	LED lampica je pregorela.	Zamenite modul LED svetla. Pojedinačne LED se ne mogu zameniti.
Obrtač kanala se teško okreće	U mehanizmu obrtača kanala se nalaze otpaci.	Očistite unutrašnje delove mehanizma obrtača kanala.
	Sajle su savijene ili oštećene.	Uverite se da sajle nisu savijene. Zamenite sajle koje su oštećene.
Proizvod se prevrće na jednu stranu	Pritisak u pneumaticima nije podjednak.	Prilagodite pritisak u pneumaticima i napumpajte pneumatike.
	Proizvod vozi samo sa jednim točkom.	Pregledajte trn za osiguranje pneumatika.
	Neujednačeno podešavanje sanki.	Podesite zaštitne ploče i sanke.
	Neujednačeno podešavanje zaštitnih ploča.	Podesite zaštitne ploče i sanke.

## Transport, skladištenje i odlaganje

### Transport i skladištenje

- Uverite se da pri skladištenju i transportu proizvoda i goriva nema isparavanja i curenja iz proizvoda. Varnice i otvoren plamen, na primer iz električnih uređaja i bojlera, može da zapali požar.
- Uvek koristite odobrene kanistere za čuvanje i transport goriva.
- Ispraznite rezervoar za gorivo pre dužeg skladištenja proizvoda.
- Ako posuda za gorivo karburatora ima čep za ispuštanje, ispuštite gorivo iz karburatora pre

skladištenja proizvoda tokom dugog vremenskog perioda.

- Da biste sprečili nezgode i oštećenja, dobro fiksirajte proizvod prilikom transporta.
- Čuvajte proizvod u zaključanoj prostoriji da biste sprečili neodobren pristup deci i drugim osobama.
- Čuvajte proizvod na suvom mestu bez mraza.

### Odlaganje

- Pratite lokalne zahteve i primenljive propise.

- Sve hemikalije, kao što su, na primer, motorno ulje ili gorivo, odbacujte u servisnom centru ili na odgovarajućem mestu za odbacivanje.
- Odložite proizvod na odobrenom mestu za odbacivanje ili ga pošaljite kompaniji Husqvarna za odbacivanje.

## Tehnički podaci

### Tehnički podaci

	<b>ST 124</b>
<b>Dimenzije</b>	
Težina sa praznim rezervoarima, kg	76
Maks. radni pritisak u pneumaticima, PSI	20
Visina usisa, cm	53,3
Radna širina, cm	61
<b>Motor</b>	
Marka	Husqvarna
Nominalna izlazna snaga motora, kW	4,3
Zapremina, kubni centimetri	212
Tip goriva	Regularni bezolovni (maksimalno 10% etanola)
Kapacitet goriva, gal / l	0,58 / 2,2
Tip ulja (API SJ-SN)	SAE 5W30 (ispod 0 °C (32 °F))
Kapacitet ulja fl. oz. / l	20 / 0,6
<b>Električni sistem</b>	
Svećica	F7RTC
Zazor elektroda svećice (inči / mm)	0,027–0,031 / 0,7–0,8
<b>Emisija buke</b> <sup>130</sup>	
Nivo zvučne snage, mereno dB(A)	100
Nivo zvučne snage, garantovano L <sub>WA</sub> dB(A)	102
<b>Nivoi zvuka</b> <sup>131</sup>	
Nivo zvučnog pritiska na uho rukovaoca, izmereno L <sub>PA</sub> dB(A)	86
<b>Nivo vibracija, a<sub>hveq</sub></b> <sup>132</sup>	
Nivo vibracija na ručkama, levo/desno	4,15 / 4,08

<sup>130</sup> Emisija buke u životnoj sredini merena kao zvučna snaga (L<sub>WA</sub>) u skladu sa direktivama EZ 2000/14/EZ i 2005/88/EZ. Prijavljeni podaci za nivo emisija imaju tipičnu statističku disperziju (standardna devijacija) od 1,5 dB(A). Nesigurnost=1,5 dB(A)

<sup>131</sup> Nivo zvučnog pritiska prema standardu EN ISO 11201. Prijavljeni podaci za nivo zvučnog pritiska imaju tipičnu statističku disperziju (standardna devijacija) od 1,5 dB (A). Nesigurnost=1,5 dB(A)

<sup>132</sup> Nivo vibracija prema standardu ISO 8437-4, Aneks B. Nesigurnost=1,5 m/s<sup>2</sup>

# EZ deklaracija o usaglašenosti

## SADRŽAJ EZ DEKLARACIJE O USAGLAŠENOSTI

Mi, kompanija Husqvarna, SE-561 82 Huskvarna, ŠVEDSKA, izjavljujemo pod sopstvenom odgovornošću da je predstavljeni proizvod:

Opis	Bacač snega
Marka	Husqvarna
Platforma/tip/model	ST 124
Serijski broj	Serijski broj od 2020 i nadalje

u potpunosti usaglašen sa sledećim EU direktivama i propisima:

Direktiva/propis	Opis
2006/42/EZ	„koji se odnose na mašine“
2014/30/EU	„koji se odnose na elektromagnetsku kompatibilnost“
2000/14/EZ; 2005/88/EZ	„koji se odnose na buku u otvorenom prostoru“
2011/65/EU	„koji se odnose na ograničenje upotrebe određenih opasnih supstanci“

Primenjeni harmonizovani standardi i/ili tehničke specifikacije su sledeće: EN ISO 12100:2010, EN ISO 14982:2009, ISO 8437-1:2019, ISO 8437-2:2019, ISO 8437-4:2019, ISO 3744:1995, EN 1032:2003+A1:2008, EN 50581:2012

U skladu sa Direktivom 2000/14/EZ+2005/88/EZ, Aneks V, deklarisanе vrednosti jačine zvuka su izložene u odeljku o tehničkim podacima u ovom uputstvu i u potpisanoj EZ Deklaraciji o usaglašenosti.

Isporučeni bacač snega usaglašen je sa primerkom koji je prošao pregled.

U ime kompanije Husqvarna AB, SE-561 82 Huskvarna, ŠVEDSKA, 2020-02-07



Claes Losdal

Osoba odgovorna za sastavljanje tehničke dokumentacije nastale u Evropskoj uniji



---

## Obsah

---

Úvod.....	369	Riešenie problémov.....	380
Bezpečnosť.....	370	Preprava, skladovanie a likvidácia.....	382
Montáž.....	375	Technické údaje.....	383
Prevádzka.....	375	ES vyhlásenie o zhode.....	385
Údržba.....	377		

---

## Úvod

---

### Prehľad výrobku

(Obr. 1)

1. Spúšťanie závitovky
2. Páka regulácie rýchlosti pohonu
3. Ovládací panel
4. Kábel závitovky
5. Ovládanie rotátora výsypky
6. Deflektor výsypky
7. Čistiaci nástroj
8. Skriňa závitovky
9. Závitovky
10. Ochranný krycí kotúč
11. Pneumatika
12. Olejová náplň
13. Motor
14. Spodná rukoväť
15. Tyč na reguláciu rýchlosti pohonu
16. Kábel pohonu
17. Rukoväť štartovacieho lanka
18. Aktivácia pohonu
19. Úchopy rukovätí
20. Nastrekovač
21. Sýtič
22. Palivový spínač
23. Kľúč On/Off
24. Návod na použitie

### Popis výrobku

Výrobok je snehová fréza, ktorá sa používa na odstraňovanie snehu zo zeme.

### Plánované použitie

Tento výrobok môžete použiť na odstraňovanie snehu z polí, ciest, chodníkov a príjazdových ciest. Nepoužívajte ho na svahu so sklonom väčším ako 15°. Výrobok nepoužívajte na miestach, kde je veľa odpadkov, nečistôt a vyčnievajúcich kameňov.

### Symbols on the product

---

**Poznámka:** If the decals on the product are damaged, contact the distributor to replace them.

---

- (Obr. 2) Warning.
- (Obr. 3) Read the operator's manual.
- (Obr. 4)
- (Obr. 5) Hot surface.
- (Obr. 6) Risk of fire.
- (Obr. 7) Choke.
- (Obr. 8) Pull starter rope handle.
- (Obr. 9) Do not breathe in the exhaust fumes from the engine.
- (Obr. 10) Do not put any part of the body into the chute deflector or the auger housing when the augers rotate.
- (Obr. 11) Stop the engine before you remove snow from the chute deflector. Use the clean-out tool to remove snow, do not do it by hand.
- (Obr. 12)
- (Obr. 11) Keep hands away from the chute deflector.
- (Obr. 13) Objects can be ejected from the product.
- (Obr. 14) Keep bystanders away from the product when operating.
- (Obr. 15) Remove key before maintenance.
- (Obr. 16) Push in the on/off key to the RUN position.
- (Obr. 17) Turn the fuel switch to the ON position.
- (Obr. 18) Push the primer.
- (Obr. 19) Risk of falling.

- (Obr. 20) Move slowly rearward.
- (Obr. 21) Use approved protective gloves.
- (Obr. 22) Use a protective helmet. Use approved hearing protection. Use approved eye protection.
- (Obr. 23) Noise emissions to the environment according to European Directive 2000/14/EC and New South Wales legislation "Protection of the Environment Operations (Noise Control) Regulation 2017". Noise emission data can be found on the machine label and in the Technical data chapter.
- (Obr. 24) European machinery directive for safety.

**Poznámka:** Other symbols/decals on the product refer to certification requirements for some markets.

## Emisie Euro V



**VÝSTRAHA:** Nepovolená manipulácia s motorom ruší platnosť typového schválenia tohto výrobku pre EÚ.

## Bezpečnosť

### Bezpečnostné definície

Nižšie uvedené definície označujú úroveň závažnosti pre každé signálne slovo.



**VÝSTRAHA:** Poranenie osôb.



**VAROVANIE:** Poškodenie výrobku.

**Poznámka:** Táto informácia napomáha k jednoduchšiemu používaniu výrobku.

### Bezpečná práca so snehovými frézami ovládanými chodcom

#### Všeobecné

Toto zariadenie môže amputovať ruky a nohy a vymrštíť predmety. Nedodržanie nasledujúcich bezpečnostných pokynov môže byť príčinou vážnych zranení.

#### Školenie

- Prosím, prečítajte si dôkladne všetky pokyny na stroji a tento návod ešte pred používaním tejto jednotky. Dokonale sa zoznámte s ovládačmi a správnym používaním zariadenia. Naučte sa, ako treba v prípade nebezpečenstva stroj rýchlo zastaviť.

## Výrobca

Husqvarna AB

Drottninggatan 2, SE-561 82 Huskvarna

## Zodpovednosť za výrobok

V súlade s právnymi predpismi upravujúcimi zodpovednosť za výrobok nenesieme zodpovednosť za škody spôsobené našim výrobkom v dôsledku:

- nesprávne vykonanej opravy výrobku,
- opravy výrobku, pri ktorej neboli použité diely od výrobcu alebo diely schválené výrobcom,
- používania príslušenstva od iného výrobcu alebo príslušenstva, ktoré nie je schválené výrobcom,
- opravy výrobku, ktoré neboli vykonané v schválenom servisnom stredisku alebo schválenými kompetentnými osobami.

- Nikdy nedovoľte deťom používať stroj. Nikdy nedovoľte, aby zariadenie používali dospelí, ktorí nie sú oboznámení s jeho obsluhou.
- Nedovoľte, aby sa do pracovného priestoru počas prevádzky priblížili iné nepovolané osoby, predovšetkým malé deti.
- Dávajte veľký pozor, aby ste sa nepošmykli a nespadli, predovšetkým pri práci so zariadením v opačnom smere.

#### Príprava

- Pozorne skontrolujte priestor, v ktorom budete zariadenie používať, a odstráňte všetky rohožky, sany, podložky, káble a iné cudzie predmety.
- Pred naštartovaním motora prepnite všetky spojky a páku do neutrálnej polohy.
- Nepracujte s týmto zariadením, pokiaľ nemáte oblečený vhodný zimný odev. Vyhýbajte sa noseniu voľných odevov, ktoré by sa mohli zachytiť do pohybujúcich sa častí. Noste obuv, ktorá vám napomôže pri chôdzi na klzkom povrchu.
- Počas obsluhy alebo vykonávania úprav alebo opráv vždy noste ochranné okuliare alebo ochranný štít tváre, aby ste si chránili oči pred cudzími predmetmi, ktoré by mohol stroj odhodíť.
- S palivom manipulujte opatrne, je veľmi horľavé.
  - Používajte nádobu určenú pre palivo.
  - Palivo nikdy nedopĺňajte za chodu motora ani keď je motor horúci.

- Palivovú nádrž doplňte vonku, pričom dávajte mimoriadny pozor. Palivo nikdy nedopĺňajte v uzavretom priestore.
- Nádoby nikdy neplňte vnútri nejakého vozidla, na vozidle ani na vlečke s plastovou podlahou. Nádoby pred plnením vždy postavte na zem, mimo vozidla.
- Ak je to možné, zložte zariadenie s motorovým pohonom z vozidla a doplňte nádrž na zemi. Ak to nie je možné, uprednostnite pri dopĺňaní takéhoto zariadenia prenosnú nádobu pred dávkovačom paliva z čerpadla.
- Dýzu majte vždy opretú o okraj palivovej nádrže alebo otvorenej nádoby až do ukončenia dopĺňania paliva. Nepoužívajte pištoľ so zaistovacím mechanizmom.
- Po doplnení paliva utiahnite viečko nádrže a poutierajte rozliate palivo.
- Ak sa palivo rozlialo na odev, ihneď sa prezlečte.
- U jednotiek s elektrickým štartovaním použite výrobcom odporúčané predlžovacie káble a zásuvky.
- Pri čistení povrchu zo štrku alebo drveného kameniva nastavte výšku skrine zberača.
- Nikdy sa nepokúšajte robiť žiadne úpravy, kým je motor v chode (s výnimkou, že to odporúča výrobca).

### Prevádzka

- V blízkosti paliva alebo jednotky nefajčite a nedovoľte fajčiť ani iným osobám. Nikdy sa nepribližujte k výsypnému otvoru.
- Pri práci na štrkových príjazdových cestách alebo chodníkoch alebo pri prechádzaní cez ne si dávajte mimoriadny pozor. Dajte pozor na skryté nebezpečenstvo alebo prevádzku pri verejných komunikáciách.
- Po zásahu cudzieho predmetu zastavte motor, odpojte kábel zapalovacej sviečky, odpojte kábel na elektrických motoroch, pozorne skontrolujte, či sa snehová fréza nepoškodila, a pred jej opätovným naštartovaním a prevádzkou opravte všetky prípadné poškodenia.
- Ak začne zariadenie nadmerne vibrovať, zastavte motor a okamžite skontrolujte príčinu týchto vibrácií. Vibrácie sa vo všeobecnosti považujú za upozornenie na možný problém.
- Motor zastavte vždy pred opustením pracovného priestoru, pred vyčistením skrine zberača/obežného kolesa alebo krytu vyhadzovacieho otvoru a pred akoukoľvek opravou, úpravou alebo kontrolou.
- Motor nespúšťajte v budove, s výnimkou naštartovania motora a prepravy snehovej frézy do budovy alebo z nej. Otvorte vonkajšie dvere; výfukové plyny sú nebezpečné.
- Pri práci na svahu dávajte mimoriadny pozor.
- Zariadenie nikdy nepoužívajte bez namontovaných a funkčných ochranných krytov a ochranných zariadení.

- Nikdy nesmerujte vývod na osoby ani takým smerom, kde by mohlo dôjsť k nejakým škodám. Nedovoľte, aby sa k stroju priblížili deti alebo iné osoby.
- Stroj nepreťažujte, nesnažte sa odstrániť sneh veľmi rýchlo.
- Stroj nikdy nepoužívajte na šmykľavých povrchoch pri vysokej prepravnej rýchlosti. Pri práci opačným smerom sa pozerajte aj dozadu a dávajte veľký pozor.
- V dobe mimo prevádzky výrobku alebo pri jeho preprave odpojte napájanie zberača/obežného kolesa.
- Používajte len prídavné zariadenia alebo príslušenstvo schválené výrobcom zariadenia (ako napr. závažia na kolesá, protizávažia alebo kabíny).
- Nikdy nepoužívajte zariadenie pri nedostatočnej viditeľnosti alebo osvetlení. Vždy sa uistite o tom, kam stúpate a rukoväť držte pevne. Pri práci so strojom kráčajte, nebežte.
- Nikdy sa nedotýkajte horúceho motora ani výfuku.

### Vyčistenie upchatého krytu vyhadzovacieho otvoru

- Kontakt ruky s otáčajúcim sa obežným kolesom vnútri krytu vyhadzovacieho otvoru je najbežnejšou príčinou poranenia pri používaní snehových fréz. Kryt vyhadzovacieho otvoru nikdy nečistíte rukami.
- Čistenie výsypky:
  1. VYPNITE MOTOR!
  2. Počkajte 10 sekúnd, aby ste sa uistili, že sa čepele obežného kolesa prestali otáčať.
  3. Vždy používajte čistiaci nástroj, nie ruky.

### Údržba a uskladnenie

- Často kontrolujte, či sú riadne utiahnuté strižné aj ostatné skrutky, aby ste sa uistili, že je prevádzka zariadenia bezpečná.
- Zariadenie nikdy neskladujte s benzínom v palivovej nádrži vo vnútri budovy, v ktorej sa môžu nachádzať zdroje vznietenia, ako napr. ohrievače na horúcu vodu, radiátory alebo sušiče oblečenia. Pred uskladnením stroja nechajte motor vychladnúť.
- Ak plánujete snehovou frézu uskladniť na dlhšie obdobie, dôležité podrobnosti nájdete v používateľskej príručke.
- Štítky s informáciami o bezpečnosti udržiavte v dobrom stave alebo ich vymeňte podľa potreby.
- Zariadenie nechajte bežať niekoľko minút po odhadzovaní snehu, aby ste zabránili zamrznutiu zberača/obežného kolesa.
- Pred čistením, opravou alebo kontrolou snehovej frézy zastavte motor a uistite sa, že sa zberač/obežné koleso a všetky pohybujuce sa časti zastavili. Odpojte kábel zapalovacej sviečky a umiestnite ho ďalej od sviečky, aby sa predišlo náhodnému naštartovaniu motora inou osobou.

## Všeobecné bezpečnostné pokyny

- Výrobok používajte správne. Nesprávne používanie môže mať za následok poranenie alebo smrť. Výrobok používajte len na účely uvedené v tomto návode. Výrobok nepoužívajte na iné účely.
- Dodržiavajte pokyny uvedené v tomto návode. Dodržiavajte bezpečnostné symboly a bezpečnostné pokyny. Ak používateľ nebude dodržiavať uvedené pokyny a symboly, môže dôjsť k poraneniu, poškodeniu alebo smrti.
- Tento návod nezahadzujte. Tieto pokyny poskytujú všetky potrebné kroky na montáž a prevádzku výrobku a pomôžu vám udržať výrobok v dobrom stave. Tieto pokyny poskytujú všetky potrebné kroky na správnu inštaláciu doplnkov a príslušenstva. Používajte len schválené doplnky a príslušenstvo.
- Ak sa výrobok poškodí, nepoužívajte ho. Dodržiavajte plán údržby. Vykonávajte len údržbu, ku ktorej nájdete pokyny v tomto návode. Všetky ostatné práce týkajúce sa údržby musí vykonať schválené servisné stredisko.
- Tento návod na obsluhu nezahŕňa všetky situácie, s ktorými sa môžete počas používania tohto výrobku stretnúť. Pri jeho používaní zachovávajte opatrnosť a riaďte sa zdravým úsudkom. Výrobok nepoužívajte ani na ňom nevykonávajte žiadnu údržbu, ak s istotou neviete, o aký problém sa jedná. Kontaktujte produktového odborníka, predajcu, servisného zástupcu alebo schválené servisné stredisko a požiadať o informácie.
- Pred montážou výrobku, jeho uskladnením alebo vykonávaním údržby odpojte kábel zapalovacej sviečky.
- Výrobok nepoužívajte, ak sa zmenili jeho pôvodné technické špecifikácie. Nevymieňajte diely výrobku bez schválenia výrobcu. Používajte len diely schválené výrobcom. Nesprávna údržba môže mať za následok poranenie alebo smrť.
- Nevdychujte výpary z motora. Dlhodobé vdychovanie výfukových plynov predstavuje zdravotné riziko.
- Neštartujte výrobok vo vnútri ani v blízkosti horľavého materiálu. Výfukové plyny sú horúce a môžu obsahovať iskry, ktoré môžu spôsobiť požiar. Nedostatočné prúdenie vzduchu môže spôsobiť poranenie alebo smrť v dôsledku udusenía alebo otravy oxidom uhoľnatým.
- Počas používania tohto výrobku vytvára motor elektromagnetické pole. Elektromagnetické pole môže poškodiť implantované lekárske prístroje. Pred používaním tohto výrobku sa poraďte sa so svojím lekárom a výrobcom implantovaného lekárskeho prístroja.
- Nedovoľte, aby výrobok používali deti. Nedovoľte, aby výrobok používali osoby, ktoré nepoznajú potrebné pokyny.
- Osoby so zníženými fyzickými alebo duševnými schopnosťami musia byť počas používania výrobku

vždy pod dozorom. Vyžaduje sa neustála prítomnosť zodpovednej dospeléj osoby.

- Výrobok bezpečne uzamknite na mieste, ku ktorému nemajú prístup deti a nepovolené osoby.
- Počas používania sa môžu od výrobku odraziť predmety a spôsobiť poranenia. Dodržiavajte bezpečnostné pokyny, aby ste znížili riziko poranenia alebo smrti.
- Nevzdŕžajte sa od výrobku, keď je zapnutý motor.
- V prípade nehody zodpovedá za následky používateľ.
- Pred pohybom dozadu a počas neho sa pozerajte dozadu a dolu a sledujte, či sa tam nenachádzajú malé deti, zvieratá alebo iné nebezpečenstvo, pri ktorom vám hrozí pád.
- Pred používaním výrobku sa uistite, že nie sú poškodené žiadne diely.
- Pred používaním výrobku sa uistite, že sa nachádzate minimálne 15 m od iných osôb alebo zvierat. Uistite sa, že osoby v okolí vedia o tom, že budete výrobok používať.
- Dodržiavajte národné alebo miestne právne predpisy. V určitých podmienkach môžu zakazovať alebo obmedzovať prevádzku výrobku.

## Školenie

- Prosím, prečítajte si dôkladne všetky pokyny na stroji a tento návod ešte pred používaním tejto jednotky. Dokonale sa zoznámte s ovládacími a správnym používaním zariadenia. Naučte sa, ako treba v prípade nebezpečenstva stroj rýchlo zastaviť.
- Nikdy nedovoľte, aby stroj používali deti. Nikdy nedovoľte, aby stroj používali dospelí, ktorí nie sú oboznámení s jeho obsluhou.
- Nedovoľte, aby sa do pracovného priestoru počas prevádzky priblížili iné nepovolane osoby, predovšetkým malé deti.
- Dávajte veľký pozor, aby ste sa nepošmykli a nespadli, predovšetkým pri práci s odhadzovačom snehu v opačnom smere.

## Bezpečnostné pokyny pre prevádzku

- V blízkosti paliva alebo jednotky nefajčite a nedovoľte fajčiť ani iným osobám. Nikdy sa nepribližujte k výsypnému otvoru.
- Pri práci na štrkových príjazdových cestách, chodníkoch a cestách alebo pri prechádzaní cez ne si dávajte mimoriadny pozor. Dávajte pozor na skryté nebezpečenstvá a premávku.
- Po zásahu cudzieho predmetu zastavte motor, odpojte kábel zapalovacej sviečky, odpojte kábel na elektrických motoroch, pozorne skontrolujte, či sa výrobok nepoškodil, a pred opätovným naštartovaním a prevádzkou opravte všetky prípadné poškodenia.
- Ak výrobok začne nadmerne vibrovať, zastavte motor a okamžite skontrolujte príčinu vibrácií.

Vibrácie sa vo všeobecnosti považujú za upozornenie na možný problém.

- Motor zastavte vždy pred opustením pracovného priestoru, pred čistením skrine závitovky alebo deflektora výsyvky a pred akoukoľvek opravou, úpravou alebo kontrolou.
- Pred čistením, opravou alebo kontrolou výrobku zastavte motor a uistite sa, že sa závitovky a všetky pohybujujúce sa časti zastavili. Odpojte kábel zapalovacej sviečky a umiestnite ho ďalej od sviečky, aby sa predišlo náhodnému naštartovaniu motora inou osobou.
- Motor nespúšťajte v budove, s výnimkou naštartovania motora a prepravy výrobku do budovy alebo z nej. Otvorte vonkajšie dvere; výfukové plyny sú nebezpečné.
- Pri práci na svahu dávajte mimoriadny pozor.
- Výrobok nikdy nepoužívajte bez namontovaných a funkčných ochranných krytov a ochranných zariadení.
- Nikdy nesmerujte deflektor výsyvky na osoby ani takým smerom, kde by mohlo dôjsť ku škodám na majetku. Nedovoľte, aby sa k stroju priblížili deti alebo iné osoby.
- Výrobok nepreťažujte, nepokúšajte sa odstraňovať sneh veľmi rýchlo.
- Výrobok nikdy nepoužívajte na šmyklivých povrchoch pri vysokej prepravnej rýchlosti. Pri práci opačným smerom sa pozerajte aj dozadu a dávajte veľký pozor.
- V dobe mimo prevádzky výrobku alebo pri jeho preprave odpojte napájanie závitoviek.
- Používajte len prídavné zariadenia alebo príslušenstvo schválené výrobcom výrobku (ako napr. závažia na kolesá, protizávažia alebo kabíny).
- Nikdy nepoužívajte výrobok pri nedostatočnej viditeľnosti alebo osvetlení. Vždy sa uistite o tom, kam stúpate a rukoväťe držte pevne. Pri práci so strojom kráčajte, nebežte.
- Nikdy sa nedotýkajte horúceho motora ani výfuku.

## Bezpečnosť na pracovisku

- Pozorne skontrolujte priestor, v ktorom budete stroj používať, a odstráňte všetky rohožky, sane, podložky, káble a iné cudzie predmety.
- Pred naštartovaním motora prepnite všetky spojky a páku do neutrálnej polohy.
- Nepracujte s týmto výrobkom, pokiaľ nemáte oblečený vhodný zimný odev. Vyhybajte sa noseniu voľných odevov, ktoré by sa mohli zachytiť do pohybujujúcich sa častí. Noste obuv, ktorá vám napomôže pri chôdzi na klzkom povrchu.
- S palivom manipulujte opatrne, je veľmi horľavé.
  - Používajte nádobu určenú pre palivo.
  - Palivo nikdy nedoplňajte za chodu motora ani keď je motor horúci.

- Palivovú nádrž doplňte vonku, pričom dávajte mimoriadny pozor. Palivo nikdy nedoplňajte v uzavretom priestore.
- Nádoby nikdy nepĺňte vnútri nejakého vozidla, na vozidle ani na vliečke s plastovou podlahou. Nádoby pred plnením vždy postavte na zem, mimo vozidla.
- Ak je to možné, zložte zariadenie s motorovým pohonom z vozidla a doplňte nádrž na zemi. Ak to nie je možné, uprednostnite pri dopĺňaní takéhoto zariadenia prenosnú nádobu pred dávkovačom paliva z čerpadla.
- Dýzu majte vždy opretú o okraj palivovej nádrže alebo otvorenej nádoby až do ukončenia dopĺňania paliva. Nepoužívajte pištoľ so zaistovacím mechanizmom.
- Po doplnení paliva utiahnite viečko nádrže a poutierajte rozliate palivo.
- Ak sa palivo rozlialo na odev, ihneď sa prezlečte.
- U jednotiek s elektrickým pohonom alebo elektrickým štartovaním použite výrobcom odporúčané predžovacie káble a zásuvky.
- Nastavte výšku skrine závitovky pri čistení povrchu zo štrku alebo drveného kameniva.
- Nikdy sa nepokúšajte vykonávať žiadne nastavenia, kým je motor v prevádzke (okrem špecifických prípadov, ktoré sú odporúčané výrobcom).
- Počas obsluhy alebo vykonávania úprav alebo opráv vždy noste ochranné okuliare alebo ochranný štít tváre, aby ste si chránili oči pred cudzími predmetmi, ktoré by mohol stroj odhodiť.

## Osobné ochranné prostriedky

Počas používania výrobku vždy používajte správne osobné ochranné prostriedky. Patria medzi ne minimálne pevná obuv, chrániče očí a chrániče sluchu. Používanie osobných ochranných prostriedkov nevyklučuje nebezpečenstvo zranenia, no v prípade nehody sa môže znížiť jeho stupeň.

- Pri používaní výrobku alebo pri vykonávaní úprav alebo opráv vždy noste používať bezpečnostné okuliare alebo chrániče očí.
- Pri používaní výrobku noste vždy vhodný zimný odev.
- Pri používaní výrobku noste vždy odolné protišmykové topánky s dobrou oporou členkov.
- Nepoužívajte voľný odev, ktorý by sa mohol zachytiť do pohyblivých častí.
- V prípade potreby používajte schválené ochranné rukavice. Napríklad pri pripájaní, kontrole a čistení čepele.
- Počas obsluhy výrobku vždy používajte schválenú ochranu uší. Dlhodobé pôsobenie hluku môže mať za následok stratu sluchu.

## Bezpečnostné zariadenia na výrobku

- Uistite sa, že pravidelne vykonávané údržbu výrobku.
  - Predĺžite tak životnosť výrobku.

- Znížite tak riziko výskytu nehôd.

Výrobok nechajte pravidelne kontrolovať u schváleného predajcu alebo v schválenom servisnom stredisku kvôli potrebným nastaveniam alebo opravám.

- Výrobok nepoužívajte, ak je poškodené ochranné vybavenie. Ak sa výrobok poškodí, kontaktujte schválené servisné stredisko.

### Tlmič výfuku

Tlmič výfuku slúži na udržovanie minimálnej hladiny hluku a na smerovanie výfukových plynov smerom od operátora.

Nepoužívajte produkt, ak tlmič výfuku chýba alebo je poškodený. Poškodený tlmič výfuku zvyšuje hladinu hluku a riziko požiaru.



**VÝSTRAHA:** Tlmič výfuku je veľmi horúci počas prevádzky, po nej a tiež počas behu motora na voľnobeh. Zachovávajújte opatrnosť v okolí horľavých materiálov alebo výparov, aby ste nespôsobili požiar.

### Bezpečnosť paliva



**VÝSTRAHA:** Skôr než budete používať produkt, prečítajte si nasledujúce výstrahy.

- Výrobok neštartujte, ak sú na ňom zvyšky paliva alebo motorového oleja. Odstráňte neželané palivo/olej a nechajte výrobok vyschnúť.
- Ak vylejete palivo na odev, okamžite sa prezlečte.
- Dávajte pozor, aby ste si palivo nevyliali na telo, pretože môže spôsobiť poranenie. Ak si palivo vylejete na telo, umyte sa pomocou mydla vody.
- Výrobok neštartujte, ak sa na motore vyskytuje netesnosť. Pravidelne kontrolujte výskyt netesností na motore.
- Pri manipulácii s palivom zachovajte opatrnosť. Palivo je horľavá látka a výpary z paliva sú výbušné a môžu spôsobiť poranenia alebo smrť.
- Vyhnite sa vdychovaniu výparov paliva, pretože môžu spôsobiť poranenie. Zabezpečte dostatočné prúdenie vzduchu.
- V blízkosti paliva alebo motora nefajčite.
- Neukladajte do blízkosti paliva alebo motora teplé predmety.
- Nedopĺňajte palivo, keď je zapnutý motor.
- Pred dopĺňaním paliva sa uistite, že motor vychladol.
- Pred dopĺňaním paliva pomaly otvorte veko palivovej nádrže a opatrne uvoľnite tlak.

- Palivo do motora nedopĺňajte v interiéri. Nedostatočné prúdenie vzduchu môže spôsobiť poranenie alebo smrť v dôsledku udusenía alebo otravy oxidom uhoľnatým.
- Veko palivovej nádrže pevne utiahnite. Ak nie je veko palivovej nádrže pevne utiahnuté, existuje riziko vzniku požiaru.
- Pred naštartovaním premiestnite výrobok minimálne 3 m od miesta, kde ste dopĺňali palivo do nádrže.
- Palivovú nádrž nedopĺňajte úplne doplna. Tepló spôsobuje expanziu paliva. Uchovajte miesto navrchu palivovej nádrže.

### Chemické upozornenie



**VÝSTRAHA:** Výfukové plyny motora tohto výrobku obsahujú chemické látky, o ktorých je v štáte Kalifornia známe, že spôsobujú rakovinu, vývojové chyby alebo iné reprodukčné poruchy. Ďalšie informácie nájdete na stránke [www.P65Warnings.ca.gov](http://www.P65Warnings.ca.gov).

### Bezpečnostné pokyny pre údržbu



**VÝSTRAHA:** Skôr než budete výrobok používať, prečítajte si nasledujúce výstrahy.

- Výfukové plyny z motora obsahujú oxid uhoľnatý, plyn bez zápachu, ktorý je jedovatý a veľmi nebezpečný. Motor neštartujte v interiéri ani v uzavretých priestoroch.
- Pred vykonávaním údržby výrobku zastavte motor a odpojte kábel zapaľovania od zapaľovacej sviečky.
- Pri vykonávaní údržby čepelí používajte ochranné rukavice. Čepelie sú veľmi ostré a ľahko môže dôjsť k porezaniu.
- Príslušenstvo a úprava výrobku, ktoré neschválil výrobca, môžu spôsobiť vážne poranenia alebo smrť. Výrobok neupravujte. Vždy používajte príslušenstvo schválené výrobcom.
- Nepravidelná a nesprávne vykonaná údržba zvyšuje nebezpečenstvo poranenia a poškodenia výrobku.
- Vykonávajte len údržbu uvedenú v tomto návode na obsluhu. Všetky ostatné práce týkajúce sa údržby smie vykonávať len schválený servisný zástupca.
- Výrobok nechajte pravidelne kontrolovať kvôli údržbe u schváleného servisného zástupcu.
- Vymeňte všetky poškodené, opotrebované alebo zlomené diely.

---

## Montáž

---



**VÝSTRAHA:** Pred montážou výrobku si prečítajte kapitolu o bezpečnosti a uistite sa, že rozumiete informáciám, ktoré sa v nej uvádzajú.

### Instalácia rukovätí

1. Odmontujte 4 prírubové skrutky M8x25 (A) z krytu.
2. Použite 4 prírubové skrutky M8x25 (A), 4 pružinové rozpery (B) a 4 ploché rozpery (C).
3. Namontujte spodnú rukoväť (D) do 2 otvorov na každej strane krytu. (Obr. 25)
4. Použite 3 poistné skrutky rukoväte M8x50 (A), 3 rozpery (B), 3 gombíky rukoväte (C) a 3 poistné matice (D).
5. Namontujte hornú rukoväť s ovládacím panelom (E) na spodnú rukoväť. (Obr. 26)

### Montáž deflektora výsyvky

1. Demontujte kotúč rotátora (B) a 6 skrutiek so šesťhrannou prírubou (D) z krytu.
2. Kotúč rotátora (B) a deflektor výsyvky (A) pripevnite na základňu výsyvky pomocou 3 hraničných blokov (C).
3. Na zaistenie hraničných blokov (C) použite 6 skrutiek so šesťhrannou prírubou (D) a 6 poistných matic (E). (Obr. 27)

### Montáž rotátora výsyvky

1. Zostavte predný koniec rotátora výsyvky.
2. Namontujte plastové puzdro (B) na predný koniec rotátora výsyvky.
3. Pomocou 1 plochej rozpery (A) a 1 spony (C) pripojte rotátor výsyvky. (Obr. 28)
4. Zostavte zadný koniec rotátora výsyvky.

5. Na zostavenie rotátora výsyvky použite 1 poistnú maticu M8 (A), 1 plastový poistný gombík rukoväti (B), 2 zakrivené rozpery (C) a 1 skrutkovú páku (D).
6. Na upevnenie rotátora výsyvky (F) do otvorov rukoväti použite 1 šesťhrannú maticu M8 (E). (Obr. 29)

### Montáž tyče na reguláciu rýchlosti pohonu

1. Namontujte dlhý ohnutý koniec tyče na reguláciu rýchlosti pohonu (A) na ovládací panel a pripevnite ho pomocou 1 pružiny kluky (B), 1 plochej rozpery (C) a 1 klinového čapu (D). (Obr. 30)
2. Vytiahnite spojovaciu dosku radenia (B) a namontujte krátky ohnutý koniec tyče na reguláciu rýchlosti pohonu (A). Pripevnite tyč na reguláciu rýchlosti pohonu (A) pomocou 1 plochej rozpery (C) a 1 klinového čapu (D). (Obr. 31)
3. V prípade potreby predĺžte tyč na reguláciu rýchlosti pohonu. Uvoľnite poistné matice napínadla a otočte napínadlo. Dotiahnite napínadlo späť na pôvodné miesto, aby ste mohli správne regulovať rýchlosť. Pôvodné umiestnenie je vyznačené na závitoch. (Obr. 32)

### Montáž káblov závitovky a pohonu

1. Odmontujte 2 káblivé skrutky (B) z káblov (D).
2. Pripevnite 2 káblivé skrutky (B) k otvorom na ľavej a pravej rukoväti (A). (Obr. 33)
3. Pripevnite káble (D) ku káblovým skrutkám (B).
4. Pripevnite a zaistite ľavú a pravú káblivú vložku závitú (D) a káblivú skrutku (B), až kým horná časť mosadznej poistnej matice (C) nebude zarovnaná so značkou na závitoch (E).
5. Kábel zaistíte mosadznou poistnou maticou (C).

---

## Prevádzka

---



**VÝSTRAHA:** Pred zostavením výrobku si prečítajte kapitolu o bezpečnosti v pokynoch na montáž.

### Pred spustením výrobku

- Dbajte na to, aby nepovolane osoby a zvieratá nevstupovali do pracovnej oblasti.
- Vykonávajte dennú údržbu. Pozrite si časť *Plán údržby na strane 377*.
- Ubezpečte sa, že vodič zapaľovania je správne nasadený na zapalovacej sviečke.
- V prípade potreby doplňte olej alebo benzín. Pozrite si časť *Naplnenie motora olejom na strane 375*.



**VAROVANIE:** Pri kontrole oleja neatáčajte olejovú mierku. Nenapíňajte nad značku.

1. Odstráňte olejový uzáver a vyčistite olejovú mierku. Informácie o umiestnení olejovej mierky nájdete v časti *Prehľad výrobku na strane 369*.
2. Dolejte olej po hornú značku na olejovej mierke. Pomocou olejovej mierky v pravidelných intervaloch kontrolujte hladinu oleja.
3. Nasadte späť olejový uzáver.

## Dopĺňanie paliva

Ak je to možné, používajte alkylátový benzín s nízkymi emisiami. Ak nízkoemisný/alkylátový benzín nemáte k dispozícii, používajte kvalitný bezolovnatý benzín. Mimo oblasti Severnej Ameriky používajte benzín s oktanovým číslom 90 RON (87 (R+M)/2 v Severnej Amerike) alebo vyšším a s maximálnym obsahom etanolu na úrovni 10 % (E10).



**VAROVANIE:** Nepoužívajte benzín s oktanovým číslom menším ako 90 RON mimo Severnej Ameriky (87 (R+M)/2 v Severnej Amerike). Mohlo by to viesť k poškodeniu výrobku.

1. Pomalým otvorením veka palivovej nádrže uvoľnite tlak.
2. S použitím kanistra opatrne doplňte palivo. Ak sa palivo vyleje, pomocou handričky ho utrite a zvyšné palivo nechajte vyschnúť.
3. Vyčistite priestor okolo veka palivovej nádrže.
4. Veko palivovej nádrže pevne utiahnite. Ak nie je veko palivovej nádrže pevne utiahnuté, existuje riziko vzniku požiaru.
5. Pred naštartovaním premiestnite výrobok minimálne 3 m od miesta, kde ste doplňali palivo do nádrže.

## Úprava deflektora výsypky

Smer odhadzovania snehu sa riadi ovládaním rotátora výsypky, ktoré je namontované na ľavej bočnej rukoväti.

1. Otočením ovládania rotátora výsypky nastavte smer rotácie odhadzovania snehu.
2. Otočením ovládania rotátora výsypky v smere hodinových ručičiek budete odhadzovať sneh doprava.
3. Otočením ovládania rotátora výsypky proti smeru hodinových ručičiek budete odhadzovať sneh doľava. (Obr. 34)
4. Posúvaním uhlového deflektora smerom nahor alebo nadol upravíte vzdialenosť odhadzovania snehu. (Obr. 35)

## Štartovanie motora

1. Uvoľnite aktiváciu pohonu. Páku regulácie rýchlosti pohonu prepnite do prvej polohy.
2. Otočte palivový spínač do polohy ON (Zap.). (Obr. 36)
3. Otočte sýtič do polohy CLOSE (Zatv.). (Obr. 37)
4. Prepnite kľúč On/Off do polohy RUN (Spustiť). (Obr. 38)
5. Na spustenie prečerpávača stlačte 1 – 3 krát nastrekovač. Prečerpávač použite na studený štart pri nízkych teplotách. (Obr. 39)
6. Potiahnite rukoväť štartovacieho lanka. (Obr. 40)



**VAROVANIE:** Rukoväť štartovacieho lanka nepúšťajte príliš rýchlo. Pomaly ho posuňte do začiatocnej polohy.

**Poznámka:** Ak sa rukoväť štartovacieho lanka zasekla, pomaly vyťahnite čo najviac lanka zo štartéra a uvoľnite rukoväť štartovacieho lanka. Ak motor nenašartuje, zopakujte postup alebo použite elektrický štartér.

7. Pred odhadzovaním snehu nechajte motor bežať 30 – 40 sekúnd na voľnobeh.
8. Keď je motor teplý, pomaly uveďte sýtič do polohy OPEN (Otv.). (Obr. 41)

## Naštartovanie motora, elektrické štartovanie



**VÝSTRAHA:** Výrobok má elektrický štartér so striedavým napätím 230 V. Elektrický štartér nepoužívajte, ak vo vašej domácnosti nie je správne uzemnený systém so striedavým napätím 230 V. Môže dôjsť k vážnemu zraneniu alebo poškodeniu výrobku. Elektrický štartér je vybavený trojvodičovou zástrčkou a je navrhnutý na používanie pri striedavom prúde 230 V v domácnosti. Uistite sa, že sa vo vašej domácnosti nachádza správne uzemnený systém so striedavým napätím 230 V. Ak nemáte istotu, obráťte sa na oprávneného elektrikára.

**Poznámka:** Používajte predĺžovací kábel odporúčaný na vonkajšie použitie, ktorého veľkosť drôtu je najmenej 16 AWG (1,5 mm<sup>2</sup>) a nie je dlhší ako 15 metrov.

1. Uvoľnite aktiváciu pohonu. Páku regulácie rýchlosti pohonu prepnite do prvej polohy.
2. Otočte palivový spínač do polohy ON (Zap.). (Obr. 36)
3. Otočte sýtič do polohy CLOSE (Zatv.). (Obr. 37)
4. Prepnite kľúč On/Off do polohy RUN (Spustiť). (Obr. 38)
5. Na spustenie prečerpávača stlačte 1 – 3 krát nastrekovač. Prečerpávač použite na studený štart pri nízkych teplotách. (Obr. 39)
6. Pripojte výrobok k napájaniu. (Obr. 42)
7. Stlačte a podržte tlačidlo Štart na ovládacom paneli po dobu 5 sekúnd. (Obr. 43)
8. Ak motor nenašartuje, počkajte približne 5 sekúnd a znova stlačte tlačidlo Štart.



**VAROVANIE:** Nepokúšajte sa štartovať motor viac ako 10-krát. Po 10 pokusoch počkajte 40 minút a skúste to znova.



9. Po naštartovaní motora odpojte napájací kábel od výrobku.
10. Pred odhadzovaním snehu nechajte motor bežať 30 – 40 sekúnd na voľnobeh.
11. Keď je motor teplý, pomaly uveďte sýtič do polohy OPEN (Otv.). (Obr. 41)

## Obsluha výrobku

1. Zatlčením spúšťača závitovky smerom k rukoväti spustíte závitovku a začnete odhadzovať sneh. (Obr. 44)
2. Posúvaním páky regulácie rýchlosti pohonu doľava ovládajte výrobok vpred. Posúvaním páky regulácie rýchlosti pohonu doprava ovládajte výrobok vzad. (Obr. 45)
3. Aktiváciu pohonu ovládajte pravou rukoväťou.
4. Hnacie kolesá aktivujete zatlčením aktivácie pohonu k rukoväti. Výrobok sa pohybuje dopredu alebo dozadu v závislosti od umiestnenia páky regulácie rýchlosti pohonu. (Obr. 46)

## Zastavenie výrobku

**Poznámka:** Ak chcete motor v prípade núdze vypnúť, vyťahnite kľúč On/Off.

1. Hnacie kolesá zastavíte uvoľnením aktivácie pohonu.
2. Uvoľnením spúšťača závitovky deaktivujete závitovku a prestanete odhadzovať sneh. (Obr. 47)

3. Otočte palivový spínač do polohy OFF (Zap.). (Obr. 48)
4. Vyťahnite kľúč On/Off. (Obr. 49)

## Zabezpečenie optimálnych výsledkov

- Používajte motor vždy na plný plyn alebo takmer plný plyn.
- Rýchlosť výrobku vždy prispôbte snehovým podmienkam a nastavte rýchlosť ovládacou páčkou rýchlosti pohonu. Skontrolujte, či výrobok odhadzuje sneh rovnomerne.
- Je ľahšie a efektívnejšie odstrániť sneh hneď po jeho napadnutí.
- Ak je to možné, vždy odstraňujte sneh v smere po vetre.
- Na rovných povrchoch, napríklad asfaltových cestách, zdvihnite klznú dosku na 5 – 6 mm od povrchu.
- Lišta zhrňáča je obojstranná. Keď sa opotrebuje takmer na okraj krytu, otočte ju. Vymeňte lištu zhrňáča, ak je poškodená alebo ak sú obe strany opotrebované.
- Nevysypajte deflektor výsyvky, ak je upchatý.
- Ak sa výrobok nepohybuje dopredu kvôli nepredvídaným okolnostiam, ihneď uvoľníte aktiváciu pohonu alebo prepnete kľúč ON/OFF do vypnutej polohy OFF.

## Údržba

### Plán údržby

Údržba	Denne	20 hodín	50 hodín	100 hodín
Skontrolujte, či sú matice a skrutky dotiahnuté	X			
Skontrolujte hladinu motorového oleja	X			
Vymeňte olej <sup>133</sup>		X	X	X
Skontrolujte, či neuniká palivo ani olej	X			
Odstráňte blokujúce cudzie predmety v závitovke	X			

<sup>133</sup> Vymeňte olej po prvých 20 h, 50 h, 100 h a potom po každých 100 h.

Údržba	Denne	20 hodín	50 hodín	100 hodín
Skontrolujte tlak v pneumatikách <sup>134</sup>			X	
Skontrolujte a vymeňte zapalovaciu sviečku <sup>135</sup>				X

**Poznámka:** Do prevodovky nie je potrebné dopĺňať mazivo ani vykonávať inú údržbu.

## Vykonanie všeobecnej kontroly

- Uistite sa, že sú dotiahnuté všetky matice aj skrutky na výrobku.

## Kontrola hladiny oleja



**VAROVANIE:** Príliš nízka hladina oleja môže viesť k poškodeniu motora. Pred zapnutím výrobku skontrolujte hladinu oleja.

- Položte výrobok na rovný povrch.
- Odstráňte uzáver nádrže na olej s olejovou mierkou.
- Očistite olej z olejovej mierky.
- Aby ste získali presnú úroveň hladiny oleja, olejovú mierku úplne zasuňte do nádrže na olej.
- Vytiahnite olejovú mierku.
- Skontrolujte hladinu oleja na olejovej mierke.
- V prípade príliš nízkej hladiny doplňte motorový olej a opätovne skontrolujte hladinu oleja.

## Výmena motorového oleja

- Nechajte motor niekoľko minút v chode, aby sa olej zahrial. Teplý olej je tekutejší a strhne so sebou viac kontaminantov.



**VÝSTRAHA:** Motorový olej je horúci. Pri manipulácii s ním sa vyhýbajte kontaktu s pokožkou.

- Položte výrobok na rovný povrch.
- Motor nechajte bežať, kým sa nevyčerpá všetko palivo.
- Vyberte zapalovací spínač.
- Pod vypúšťací uzáver oleja podložte nádobu.
- Odložte vypúšťací uzáver oleja, nakloňte výrobok dozadu a vypustíte použitý olej do nádoby. (Obr. 50)
- Vráťte výrobok späť do prevádzkovej polohy.
- Nainštalujte vypúšťací uzáver oleja a utiahnite ho rukou.

<sup>134</sup> Informácie o správnom tlaku v pneumatikách nájdete v časti Technické údaje.

<sup>135</sup> Každý rok kontrolujte a vyčistite pred používaním zapalovaciu sviečku.

- Nalejte do motora olej, pozrite si časť *Naplnenie motora olejom na strane 375.*

## Kontrola zapalovacej sviečky



**VAROVANIE:** Vždy používajte odporúčaný typ zapalovacej sviečky. Nesprávny typ zapalovacej sviečky môže spôsobiť poškodenie výrobku.

- Ak má motor slabý výkon, ťažko sa štartuje alebo pri voľnobežných otáčkach nefunguje správne, skontrolujte zapalovaciu sviečku.
- Ak chcete znížiť riziko prítomnosti neželaného materiálu na elektródach zapalovacej sviečky, postupujte takto:
  - Uistite sa, že voľnobežné otáčky sú správne nastavené.
  - Uistite sa, že používate správny typ paliva.
  - Uistite sa, že je čistý vzduchový filter.
- Ak je zapalovacia sviečka znečistená, očistite ju a skontrolujte, či je medzera medzi elektródami správna. Pozrite si časť *Technické údaje na strane 383.* (Obr. 51)
- V prípade potreby vymeňte zapalovaciu sviečku.

## Kontrola závitovky a lišty zhŕňača

- Pred každým použitím skontrolujte, či závitovky a lišta zhŕňača nie sú opotrebované.
- Ak je okraj lišty zhŕňača opotrebovaný, otočte lištu zhŕňača naopak. Vymeňte lištu zhŕňača, ak je poškodená alebo ak sú oba okraje opotrebované.
- Ak sú okraje závitoviek opotrebované, obráťte sa so žiadosťou o ich výmenu na autorizované servisné stredisko.

## Nastavenie klzných dosiek

Klzné dosky zabraňujú poškodeniu spodnej časti snehovej frézy. Klzné dosky (A) nastavujte po uvoľnení poistnej matice (B) alebo v prípade, že vzdialenosť klznej dosky od zeme nie je správna. Pri štandardnej inštalácii sa nevyžaduje žiadna úprava.

- Uvoľnite poistnú maticu (B) vidlicovým kľúčom s rozmerom 13 mm (½ pal.).
- Presuňte klzné dosky (A) nahor alebo nadol.

- a) Na plochom povrchu nastavte vzdialenosť medzi lištou zhrňňača a zemou na 5 – 6 mm.
- b) Na drsných povrchoch nastavte klzné dosky (A) do polohy, v ktorej je lišta zhrňňača nad zemou.



**VÝSTRAHA:** Uistite sa, že sa štrk ani kamene nedostanú do výrobku. Predmety, ktoré sa veľkou rýchlosťou vymrštia, môžu spôsobiť zranenie.

3. Uťahnite poistnú maticu (B). (Obr. 52)

## Výmena strižného kolíka

Strižný kolík chráni výrobok pred poškodením. Zlomí sa, ak sa v pohyblivých častiach objaví cudzí predmet.

1. Ak sa strižný kolík zlomí, zastavte motor.
2. Pripojte nový strižný kolík (A) a novú upínaciu pružinu (B). (Obr. 53)

## Kontrola pneumatík

- Chráňte pneumatiky pred palivom, olejom a chemikáliami, aby ste predchádzali poškodeniu gumeného materiálu.
- Pneumatikami nejazdite po pňoch, kameňoch, priehlbínach, ostrých predmetoch ani iných predmetoch, ktoré môžu pneumatiky poškodiť.
- Udržiavajte správny tlak v pneumatikách, pozrite si časť *Technické údaje na strane 383*.

## Výčistenie upchatého deflektora krytu vyhadzovacieho otvoru

Nepokúšajte sa odstrániť upchatie deflektora krytu vyhadzovacieho otvoru, kým nevykonáte nasledujúce operácie.

1. Uvoľníte naraz spúšťanie závitovky a aktiváciu pohonu.
2. Počkejte 10 sekúnd a uistite sa, že závitovky sa zastavili.
3. Vypnite výrobok.
4. Pomocou čistiacieho nástroja (s dĺžkou aspoň 37 cm, pri niektorých modeloch je súčasťou dodávky) odstráňte upchatie.



**VÝSTRAHA:** Nevkladajte ruky do deflektora krytu vyhadzovacieho otvoru ani do skrine závitovky.

## Čistenie výrobku

- Plastové diely čistite čistou a suchou handričkou.
- Na čistenie výrobku nepoužívajte vysokotlakový čistič.
- Nikdy nelejte vodu priamo na motor.
- Pomocou kefy odstráňte listy, trávu a nečistoty.

## Riešenie problémov

### Riešenie problémov

Problém	Možná príčina	Riešenie
Výrobok sa nedá spustiť	Nie je zasunutý bezpečnostný kľúč zapalovania.	Zasuňte bezpečnostný kľúč zapalovania.
	Vo výrobku nie je palivo.	Palivovú nádrž doplňte novým, čistým benzínom.
	Kľúč On/Off je vypnutý v polohe OFF.	Posuňte kľúč on/off do zapnutej polohy ON.
	Sýtič je vo vypnutej polohe OFF (zatvorený).	Prepnite sýtič do zapnutej polohy ON (plné nastavenie, otvorený).
	Nastrekovač nie je stlačený.	Stlačte nastrekovač.
	Motor je zaplavený.	Pred ďalším štartom počkajte niekoľko minút, NEPLŇTE palivom.  Reštartujte motor na plný plyn a so sýtičom vo vypnutej polohe OFF (zatvorený).
	Kábel zapalovacej sviečky nie je pripojený.	Pripojte kábel k zapalovacej sviečke.
	Zapaľovacia sviečka je chybná.	Vymeňte zapaľovaciu sviečku.
	V palive sa nachádza voda alebo palivo je príliš staré.	Vyprázdňte palivovú nádrž a karburátor. Palivovú nádrž doplňte novým, čistým benzínom.
	Palivové potrubie je zavzdušnené.	Uistite sa, že celá dĺžka palivového potrubia sa nachádza pod výstupom z palivovej nádrže. Palivové potrubie musí trvalo klesať nadol z palivovej nádrže až do karburátora.
	Iné príčiny.	Pozorne si preštudujte postupy štartovania v tejto príručke.
	Palivový spínač (ak je súčasťou výbavy) je v uzatvorenej polohe (OFF).	Otočte palivový spínač do otvorenej polohy (ON).
Plyn je v zastavenej polohe STOP.	Presuňte plyn do rýchlej polohy FAST.	

<b>Problém</b>	<b>Možná příčina</b>	<b>Riešenie</b>
Znížený výkon	Kábel zapalovacej sviečky nie je pripojený.	Pripojte kábel k zapalovacej sviečke.
	Výrobok odhadzuje priveľa snehu.	Znížte rýchlosť a šírku záberu.
	Uzáver palivovej nádrže je pokrytý ľadom alebo snehom.	Odstráňte ľad a sneh na uzávere palivovej nádrže a v jeho blízkosti.
	Tlmič výfuku je znečistený alebo upchatý.	Vyčistite alebo vymeňte tlmič výfuku.
	Nesprávna dĺžka kábla.	Nastavte kábel.
	Tlmič výfuku je zablokovaný.	Uistite sa, že motor je vychladnutý. Odstráňte upchatie.
	Nasávanie vzduchu karburátora je zablokované.	Uistite sa, že motor je vychladnutý. Odstráňte upchatie.
Motor nebeží hladko pri voľnobežných alebo pracovných otáčkach	Sýtič je v zapnutej polohe ON (plné nastavenie, otvorený).	Presuňte sýtič do vypnutej polohy OFF (zatvorený).
	Palivové potrubie je zablokované.	Vyčistite palivové potrubie.
	V palive sa nachádza voda alebo palivo je príliš staré.	Vyprázdňte palivovú nádrž a karburátor. Palivovú nádrž doplňte novým, čistým benzínom.
	Karburátor je potrebné vymeniť.	Kontaktujte autorizované servisné stredisko.
	Remeň je napnutý.	Vymeňte klinový remeň závitovky.
Silné vibrácie/pohyb rukoväte	Niektoré diely sú uvoľnené. Závitovky sú poškodené.	Dotiahnite všetky upevňovacie prvky. Vymeňte poškodené súčiastky. Ak vibrácie pretrvávajú, obráťte sa na autorizované servisné stredisko.
	Rukoväte nie sú v správnej polohe.	Uistite sa, že rukoväte sú zaistené v správnej polohe.
	Matice nastavovacej páčky sú uvoľnené.	Utiahnite matice, kým nie je rukoväť spoľahlivo zaistená.
Rukoväť štartovacieho lanka sa nedá ľahko potiahnuť	Rukoväť štartovacieho lanka je zaseknutá.	Pomaly vytiahnite čo najviac lanka zo štartéra a uvoľnite rukoväť štartovacieho lanka. Ak motor nenašartuje, zopakujte postup alebo použite elektrický štartér.
	Lanko sa zachytáva o komponenty.	Lanko by sa nemalo dotýkať káblov alebo hadíc.

Problém	Možná příčina	Riešenie
Strata trakcie pohonu/ spomalenie rýchlosti po- honu  Sneh nie je vyhadzovaný alebo vyhadzovanie sne- hu je spomalené	Remeň preklzáva.	Nastavte kábel. Nastavte remeň.
	Remeň je opotrebovaný.	Skontrolujte/vymeňte remeň.
	Remeň skĺzol z remenice.	Skontrolujte/znovu založte remeň.
	Deflektor výsyvky je upchatý.	Vyčistite deflektor výsyvky.
	Závitovky sú upchaté cudzími predmetmi.	Odstráňte zo závitoviek nečistoty ale- bo cudzie predmety.
	Strižný kolík je poškodený.	Vymeňte poškodený strižný kolík.
	Nahromadený sneh a ľad medzi komponentmi pásov.	Odstráňte nahromadený sneh a ľad spomedzi komponentov pásov.
	Koleso trecieho pohonu je opotrebované.	Kontaktujte autorizované servisné stredisko.
Zlyhanie otáčania závitov- ky po uvoľnení úchopu	Hnací remeň nie je zarovnaný.	Nastavte hnací remeň.
	Deflektor vyprázdňovania nie je zarovnaný.	Nastavte deflektor vyprázdňovania.
Svetlá nesvietia (ak sú sú- časťou dodávky)	Motor nebeží.	Naštartujte motor.
	Pripojenie kábla je uvoľnené.	Skontrolujte pripojenia káblov na mo- tore a svetlách.
	Osvetlenie LED je vypálené.	Vymeňte modul osvetlenia LED. Jed- notlivé diódy LED nie je možné vy- meniť.
Rotátor výsyvky sa ťažko pohybuje	V mechanizme rotátora výsyvky sa nachádzajú nečistoty.	Vyčistite vnútorné časti rotátora vý- syvky.
	Káble sú prelomené alebo poškodené.	Skontrolujte, či nie sú káble prelo- mené. Poškodené káble vymeňte.
Výrobok sa otáča jedným smerom	Tlak v pneumatikách nie je rovnaký.	Nastavte tlak v pneumatikách a na- hustite ich.
	Výrobok poháňa iba jedno koleso.	Skontrolujte zaisťovací kolík pneu- matiky.
	Nerovnaké nastavenie saní.	Nastavte klznú dosku a sane.
	Nerovnaké nastavenie klzných dosiek.	Nastavte klznú dosku a sane.

## Preprava, skladovanie a likvidácia

### Preprava a uskladnenie

- Pri uskladňovaní a preprave výrobku a paliva sa uistite, že nedochádza k úniku kvapaliny a výparov. Iskry alebo otvorené plamene, napr. z elektrických zariadení alebo bojlerov, môžu vyvolať požiar.
- Na uskladnenie a prepravu paliva vždy používajte schválené kanistre.
- Pred uskladnením výrobku na dlhšiu dobu vyprázdňte palivovú nádrž.

- Ak má palivová nádrž karburátora vypúšťací uzáver, pred uskladnením výrobku na dlhšiu dobu vyprázdňte palivo z karburátora.
- Počas prepravy výrobok bezpečne upevnite, aby ste zabránili poškodeniu alebo nehodám.
- Výrobok skladujte v uzamknutom priestore mimo dosahu detí a neoprávnených osôb.
- Výrobok skladujte na suchom mieste, ktoré je chránené pred mrazom.

## Likvidácia

- Dodržiavajte miestne požiadavky a platné predpisy.
- Všetky chemikálie, ako napr. motorový olej alebo palivo, zlikvidujte v servisnom stredisku alebo v príslušnom zariadení na likvidáciu.

- Zlikvidujte výrobok na schválenom zariadení na likvidáciu alebo ho za účelom likvidácie odošlite do Husqvarna.

## Technické údaje

### Technické údaje

	ST 124
<b>Rožmery</b>	
Hmotnosť, s prázdnyimi nádržami, kg	76
Max. prevádzkový tlak v pneumatikách, PSI	20
Vstupná výška, cm	53,3
Prevádzková šírka, cm	61
<b>Motor</b>	
Značka	Husqvarna
Menovitý výkon motora, kW	4,3
Objem, cm <sup>3</sup>	212
Typ paliva	Bežný bezolovnatý benzín (maximálne 10 % etanolu)
Objem paliva, gal/l	0,58/2,2
Typ oleja (API SJ-SN)	SAE 5W30 (pod 0 °C (32 °F))
Objem oleja fl. oz./l	20/0,6
<b>Elektrický systém</b>	
Zapaľovacia sviečka	F7RTC
Medzera medzi elektródami zapaľovacej sviečky (pal./mm)	0,027 – 0,031/0,7 – 0,8
<b>Emisie hluku</b> <sup>136</sup>	
Nameraná úroveň hlučnosti dB(A)	100
Zaručená L <sub>WA</sub> úroveň hlučnosti dB(A)	102
<b>Úrovne hlučnosti</b> <sup>137</sup>	
Nameraná hladina akustického tlaku pri uchu obslužného personálu, L <sub>PA</sub> , dB (A)	86
<b>Stupne vibrácií, a<sub>hveq</sub></b> <sup>138</sup>	

<sup>136</sup> Emisie hluku merané ako akustický výkon (L<sub>WA</sub>) v súlade s európskymi smernicami 2000/14/ES a 2005/88/ES. Uvádzané údaje pre emisie hluku majú typický štatistický rozptyl (štandardnú odchýlku) 1,5 dB (A). Odchýlka = 1,5 dB(A)

<sup>137</sup> Hladina akustického tlaku podľa smernice EN ISO 11201. Uvádzané údaje pre hladinu akustického tlaku majú typický štatistický rozptyl (štandardnú odchýlku) 1,5 dB(A). Odchýlka = 1,5 dB(A)

<sup>138</sup> Úroveň vibrácií podľa Prílohy B normy ISO 8437-4. Odchýlka = 1,5 m/s<sup>2</sup>

	<b>ST 124</b>
Úroveň vibrací na rukořtí, Ĺavá/pravá	4,15/4,08



# ES vyhlásenie o zhode

## OBSAH VYHLÁSENIA O ZHODE ES

V mene spoločnosti Husqvarna, SE-561 82 Huskvarna, ŠVÉDSKO, vyhlasujeme s plnou zodpovednosťou, že reprezentovaný výrobok:

Popis	Snehová fréza
Značka	Husqvarna
Platforma/Typ/Model	ST 124
Séria	Výrobné číslo z roku 2020 a nasledujúcich rokov

plne spĺňa nasledujúce smernice a nariadenia EÚ:

Smernice/Nariadenia	Popis
2006/42/ES	„o strojových zariadeniach“
2014/30/EÚ	„o elektromagnetickej kompatibilite“
2000/14/ES; 2005/88/ES	„o hluku vo voľnom priestranstve“
2011/65/EÚ	„o obmedzení používania určitých nebezpečných látok“

Spĺňa nasledujúce použité harmonizované normy a/alebo technické špecifikácie: EN ISO 12100:2010, EN ISO 14982:2009, ISO 8437-1:2019, ISO 8437-2:2019, ISO 8437-4:2019, ISO 3744:1995, EN 1032:2003+A1:2008, EN 50581:2012

V súlade s ustanovením prílohy V smernice 2000/14/EC +2005/88/EC sú deklarované úrovne hluku uvedené v časti o technických údajoch tohto návodu na obsluhu a v podpísanom Vyhlásení o zhode ES.

Dodávaná snehová fréza sa zhoduje so vzorkou, ktorá prešla skúškou.

V mene spoločnosti Husqvarna AB, SE-561 82 Huskvarna, ŠVÉDSKO, 2020-02-07



Claes Losdal

Osoba zodpovedná za zozbieranie technických údajov požadovaných v rámci EÚ

---

# VSEBINA

---

Uvod.....	386	Odpravljanje težav.....	397
Varnost.....	387	Transport skladiščenje in odstranitev.....	399
Montaža.....	391	Tehnični podatki.....	400
Delovanje.....	392	Izjava ES o skladnosti.....	402
Vzdrževanje.....	394		

---

## Uvod

---

### Pregled izdelka

(Sl. 1)

1. Vklon vrtnika
2. Krmilna ročica za hitrost vožnje
3. Kontrolna plošča
4. Kabel polža
5. Ročica rotatorja izmetne cevi
6. Deflektor izmetne cevi
7. Orodje čiščenja
8. Ohišje polža
9. Polži
10. Drsna plošča
11. Pnevmatika
12. Odprtina za olje
13. Motor
14. Spodnji ročaj
15. Krmilni vezni drog za hitrost vožnje
16. Kabel za zagon
17. Zaganjalna ročica s povratno vzmetjo
18. Vklon pogona
19. Ročaj
20. Polnilna črpalka
21. Čok
22. Stikalo za gorivo
23. Tipka za vklop/izklop
24. Navodila za uporabo

### Opis izdelka

Izdelek je snežna freza, ki se uporablja za odstranjevanje snega s tal.

### Namen uporabe

Izdelek lahko uporabljate za odstranjevanje snega s travnikov, cest, poti in dovozov. Izdelka ne uporabljajte na pobočjih z naklonom, večjim od 15°. Izdelka ne uporabljajte na območjih, kjer je veliko smeti, umazanije in štrlečih kamnov.

### Symbols on the product

---

**Opomba:** If the decals on the product are damaged, contact the distributor to replace them.

---

- |          |   |
|----------|---|
| (Sl. 2)  | Warning.  |
| (Sl. 3)  | Read the operator's manual.   |
| (Sl. 4)  |   |
| (Sl. 5)  | Hot surface.  |
| (Sl. 6)  | Risk of fire.   |
| (Sl. 7)  | Choke.  |
| (Sl. 8)  | Pull starter rope handle.   |
| (Sl. 9)  | Do not breathe in the exhaust fumes from the engine.  |
| (Sl. 10) | Do not put any part of the body into the chute deflector or the auger housing when the augers rotate.                         |
| (Sl. 11) | Stop the engine before you remove snow from the chute deflector. Use the clean-out tool to remove snow, do not do it by hand. |
| (Sl. 12) |   |
| (Sl. 11) | Keep hands away from the chute deflector.   |
| (Sl. 13) | Objects can be ejected from the product.  |
| (Sl. 14) | Keep bystanders away from the product when operating.   |
| (Sl. 15) | Remove key before maintenance.  |
| (Sl. 16) | Push in the on/off key to the RUN position.   |
| (Sl. 17) | Turn the fuel switch to the ON position.  |
| (Sl. 18) | Push the primer.  |
| (Sl. 19) | Risk of falling.  |

- (Sl. 20) Move slowly rearward.
- (Sl. 21) Use approved protective gloves.
- (Sl. 22) Use a protective helmet. Use approved hearing protection. Use approved eye protection.
- (Sl. 23) Noise emissions to the environment according to European Directive 2000/14/EC and New South Wales legislation "Protection of the Environment Operations (Noise Control) Regulation 2017". Noise emission data can be found on the machine label and in the Technical data chapter.
- (Sl. 24) European machinery directive for safety.

**Opomba:** Other symbols/decals on the product refer to certification requirements for some markets.

## Stopnja emisij Euro V



**OPOZORILO:** Zaradi predelave motorja se razveljavi EU-homologacija tega izdelka.

## Varnost

### Varnostne definicije

Spodnje definicije označujejo stopnjo resnosti posameznih opozorilnih besed.



**OPOZORILO:** Poškodbe oseb.



**POZOR:** Poškodbe izdelka.

**Opomba:** Te informacije olajšajo uporabo izdelka.

### Varni načini uporabe samohodnih snežnih frez

#### Splošno

Ta stroj lahko odreže roke ali noge in sproži izmet predmetov. Nespoštovanje naslednjih navodil za varno delo lahko povzroči hude poškodbe.

#### Usposabljanje

- Pred uporabo te naprave preberite, razumite in upoštevajte vsa navodila in priročnik(e). Temeljito se seznanite z vsemi krmilnimi elementi in s pravilno uporabo stroja. Naučite se hitrega zaustavljanja naprave in hitrega izklopa krmilnih ročic.

### Proizvajalec

Husqvarna AB

Drottninggatan 2, SE-561 82 Huskvarna

### Odgovornost proizvajalca

Kot je navedeno v zakonodaji, ki ureja odgovornost proizvajalca, ne prevzemamo nikakršne odgovornosti za poškodbe, ki bi jih naši izdelki povzročili v naslednjih primerih:

- Izdelek ni pravilno popravljen.
- Izdelek je popravljen z deli, ki jih ni izdelal ali odobril proizvajalec.
- Na izdelku je nameščena dodatna oprema, ki je ni izdelal ali odobril proizvajalec.
- Izdelek ni bil popravljen v pooblaščenem servisnem centru ali pri pooblaščenem organu.

- Otrokom nikoli ne dovolite, da upravljajo stroj. Nikoli ne dovolite, da bi odrasle osebe delale s strojem brez ustreznih navodil.
- Poskrbite, da na delovnem prostoru ni drugih oseb, še posebej ne majhnih otrok.
- Premikajte se previdno, da vam ne spodrsne in da ne padete, še posebej, ko stroj premikate vzvratno.

#### Priprava

- Skrbno pregledjte površino, na kateri boste uporabljali stroj. Odstranite vse predpražnike, sani, deske, kable in druge predmete.
- Pred zagonom motorja sprostite vse sklopke in prestavite menjalnik v prosti tek.
- Ob uporabi stroja vedno nosite ustrezna zimska oblačila. Ne oblačite si ohlapnih oblačil, ki bi jih lahko zgrabili premikajoči se deli. Obujite si obutev z dobrim oprijemom na spolzkih površinah.
- Med uporabo naprave, med izvajanjem nastavitev in med popravljanjem vedno nosite varovalna očala ali zaščitno za oči. Tako zaščitite oči pred predmeti, ki lahko priletijo iz naprave.
- Z gorivom ravnajte previdno, saj je zelo lahko vnetljivo.
  - Uporabljajte ustrezno (odobreno) posodo za gorivo.
  - Nikoli ne dolivajte goriva, ko motor teče oz. ko je motor vroč.
  - Posodo za gorivo napolnite na prostem. Bodite zelo previdni. Posode za gorivo nikoli ne polnite v zaprtem prostoru.

- Posod z gorivom nikoli ne polnite v vozilu, na tovornjaku ali na prikolici s plastično oblogo. Posode pred polnjenjem vedno postavite na tla, stran od vozila.
- Če je to praktično, odstranite opremo z bencinskim motorjem s tovornjaka in dolijte gorivo, ko je na tleh. Če to ni mogoče, je bolje, da napravo napolnite na prikolici s prenosno posodo, kot da jo polnite neposredno s dolivno pištolo črpalke.
- Dolivno grlo naj bo ves čas v stiku z robom odprtine posode za gorivo, vse dokler dolivanje ni končano. Ne uporabljajte sistema za zaklepanje in odklepanje ročke za dolivanje goriva.
- Skrbno namestite pokrovček odprtine za dolivanje goriva in pobrišite morebitno razlito gorivo.
- Če gorivo polijete po oblačilih, se nemudoma preoblecite.
- Pri vseh enotah z električnimi motorji za zagon uporabljajte samo podaljševalne kable in vtičnice, ki jih navaja proizvajalec.
- Za čiščenje gramozne površine ali površine s peščenim nasutjem nastavite višino ohišja kolektorja.
- Nikoli ne poizkušajte kakorkoli spreminjati nastavitve medtem, ko motor teče (razen, kadar to posebej priporoča proizvajalec).
- Ne preobremenjujte naprave s prehitrim odmetavanjem snega.
- Nikoli ne premikajte naprave z veliko hitrostjo na spolzkih površinah. Pri vzvratnem gibanju glejte za hrbet in bodite še posebej pozorni.
- Ko stroj prevažate ali ko ni v uporabi, izklopite pogon kolektorja/impelerja.
- Uporabljajte samo priključke in dodatno opremo, ki jih je odobril proizvajalec stroja (kot so uteži za kolesa, protiuteži ali kabine).
- Stroja nikoli ne uporabljajte v slabi vidljivosti ali ob šibki svetlobi. Poskrbite, da vam ne drsi in trdno držite ročaje. Hodite, nikoli ne tecite.
- Nikoli se ne dotikajte vročega motorja ali vročega dušilnika hrupa.

### Čiščenje zamašene izmetne cevi

- Dotik vrtečih se rezil impelerja v izmetni cevi z roko je najpogostejši vzrok poškodb, povezanih z delom s snežnimi frezami. Izmetnega lijaka nikoli ne čistite z roko.
- Postopek čiščenja izmetnega lijaka:
  1. ZAUSTAVITE MOTOR!
  2. Počakajte 10 sekund in se prepričajte, da so se rezila impelerja res nehala vrteti.
  3. Čiščenje vedno izvajajte z orodjem, nikoli z rokami.

### Delovanje

- Ne segajte z rokami ali nogami v bližino ali pod vrteče se dele. Zagotovite, da se v bližini izmetne odprtine nikoli nihče ne zadržuje.
- Posebej bodite pozorni pri odmetavanju na oz. pri prečkanju z gramozom posutih dovoznih poti ali stez. Bodite pozorni na prikrite nevarnosti ali delovanje v bližini javnih cest.
- Ko naletite na tujek, ustavite motor, odstranite kabel s svečke, odklopite napajalni kabel elektromotorjev in skrbno preglejte snežno frezo, če je poškodovana. Če najdete kakršnokoli poškodbo, jo popravite pred ponovnim zagonom in nadaljnjo uporabo snežne freze.
- Če se začne stroj neobičajno tresti, izklopite motor in nemudoma poiščite vzrok. Tresenje običajno opozarja na težave.
- Motor zaustavite, kadar koli zapustite delovno mesto, pred čiščenjem ohišja kolektorja/impelerja ali izmetne cevi, pred kakršnim koli popravilom ali spremembo nastavitvev oz. pregledom.
- Motorja ne zaganjajte v zaprtih prostorih, razen ob zagonu in za prevažanje snežne freze v stavbo ali iz nje. Odprite vrata stavbe, saj so izpušni plini nevarni.
- Pri delu na nagibih bodite izjemno previdni.
- Stroja ne uporabljajte brez nameščenih in delujočih ustreznih varoval in drugih varnostnih naprav.
- Izmeta nikoli ne usmerjajte proti ljudem ali v smeri, kjer bi lahko nastala škoda. Poskrbite, da v bližini ni otrok in drugih oseb.

### Vzdrževanje in skladiščenje

- Redno pregledujte strižne in druge vijake ter se prepričajte, da so dobro pritrjeni in da je oprema ustrezna za varno delo.
- Stroja nikoli ne shranjujte z gorivom v rezervoarju v zgradbi, kjer so prisotni viri vžiga, kot so na primer grelniki za toplo vodo, grelniki prostora ali sušilci oblačil. Preden shranite odmetalnik snega v zaprt prostor, pustite, da se motor ohladi.
- Če snežne freze ne nameravati uporabljati dlje časa, vedno glejte priročnik z navodili glede pomembnih podrobnosti.
- Po potrebi vzdržujte in zamenjajte varnostne nalepke.
- Po odmetavanju snega naj stroj še nekaj minut deluje, da preprečite zmrzovanje kolektorja/impelerja.
- Pred čiščenjem, popraviljem ali pregledovanjem snežne freze snega zaustavite motor in se prepričajte, da so se zaustavili tudi kolektor/impeler in vsi drugi premikajoči se deli. Odklopite kabel vžigalne svečke in ga odmaknite stran od svečke, da preprečite morebiten nenameren zagon motorja.

### Splošna varnostna navodila

- Izdelek uporabljajte pravilno. Če izdelka ne uporabljate pravilno, lahko pride do poškodb ali smrti. Izdelek uporabljajte samo za opravila, ki so navedena v tem priročniku. Izdelka ne uporabljajte za druga opravila.

- Sledite navodilom v tem priročniku. Upošteвайте varnostne simbole in navodila. Če uporabnik ne upošteva navodil in simbolov, lahko pride do poškodb ali smrti.
- Priročnika ne zavržite. Sledite navodilom pri sestavljanju, uporabi in vzdrževanju izdelka v brezhibnem stanju. Navodila uporabljajte za pravilno namestitvev priključkov in dodatne opreme. Uporabljajte samo odobrene priključke in dodatno opremo.
- Ne uporabljajte poškodovanega izdelka. Sledite urniku vzdrževanja. Izvajajte samo postopke vzdrževanja, za katere ta priročnik vsebuje navodila. Vse druge postopke vzdrževanja mora izvesti pooblaščen servisni center.
- Ta priročnik ne more vsebovati vseh okoliščin, do katerih lahko pride pri uporabi izdelka. Bodite previdni in ravnajte razumno. Če niste prepričani glede določenih okoliščin, izdelka ne uporabljajte oziroma na izdelku ne izvajajte postopkov vzdrževanja. Za informacije se obrnite na strokovnjaka za izdelek, prodajalca, pooblaščen servisno delavnico ali servisni center.
- Pred sestavljanjem, skladiščenjem in vzdrževanjem izdelka odklopite kabel vžigalne svečke.
- Izdelka ne uporabljajte, če so se spremenile njegove originalne specifikacije. Ne spreminjajte delov izdelka brez vnaprejšnje odobritve proizvajalca izdelka. Uporabljajte samo dele, ki jih je odobril proizvajalec. Zaradi neustreznega vzdrževanja lahko pride do poškodb ali smrti.
- Ne vdihavajte plinov iz motorja. Dolgotrajno vdihavanje izpušnih plinov motorja je zdravju nevarno.
- Izdelka nikoli ne zaganjajte v zaprtih prostorih ali v bližini vnetljivih materialov. Izpušni plini so vroči in lahko vsebujejo iskre, ki lahko povzročijo požar. Neizadosten pretok zraka lahko povzroči poškodbe ali smrt zaradi zadušitve ali zastrupitve z ogljikovim monoksidom.
- Pri uporabi tega izdelka motor ustvari elektromagnetno polje. Elektromagnetno polje lahko poškoduje medicinske vsadke. Pred uporabo izdelka se posvetujte z zdravnikom in proizvajalcem medicinskih vsadkov.
- Izdelka ne smejo uporabljati otroci. Izdelka ne smejo uporabljati osebe, ki ne poznajo navodil za uporabo.
- Če izdelek uporabljajo osebe z zmanjšanimi fizičnimi ali intelektualnimi sposobnostmi, jih morate nenehno nadzorovati. Vedno mora biti prisotna odgovorna odrasla oseba.
- Izdelek zaklenite na mesto, kamor otroci in nepooblaščen osebe nimajo dostopa.
- Izdelek lahko povzroči izmet predmetov, zaradi česar lahko pride do poškodb. Upošteвайте varnostna navodila, da zmanjšate nevarnost poškodb ali smrti.
- Ko je motor vklopljen, se ne oddaljajte od izdelka.
- Za morebitne nesreče je odgovoren uporabnik izdelka.
- Pred in med vzvratno hojo vedno glejte nazaj in navzdol, če so prisotni majhni otroci, živali ali druge nevarnosti, zaradi katerih lahko padete.
- Pred uporabo izdelka se prepričajte, da deli izdelka niso poškodovani.
- Pred uporabo izdelka se prepričajte, da ste od drugih oseb ali živali oddaljeni najmanj 15 m (50 čevljev). Osebe v bližini obvestite, da nameravate izdelek uporabljati.
- Ravnajte v skladu z nacionalno ali lokalno zakonodajo. Ta lahko v določenih primerih prepreči ali omeji uporabo izdelka.

## Usposabljanje

- Pred uporabo te naprave preberite, razumite in upoštevajte vsa navodila in priročnik(e). Dodobra se spoznajte z vsemi krmilnimi ročicami in s pravilno uporabo opreme. Naučite se hitrega zastavljanja naprave in hitrega izklopa krmilnih ročic.
- Nikoli ne dovolite otrokom, da bi uporabljali napravo. Nikoli ne dovolite, da bi z napravo delale odrasle osebe brez ustreznih navodil.
- Poskrbite, da na delovnem prostoru ni drugih oseb, še posebej ne majhnih otrok.
- Premikajte se previdno, da vam ne spodrsne in da ne padete, še posebej, ko se premikate vzvratno.

## Varnostna navodila za uporabo

- Ne segajte z rokami ali nogami v bližino ali pod vrteče se dele. Zagotovite, da se v bližini izmetne odprtine nikoli nihče ne zadržuje.
- Posebej bodite pozorni pri odmetavanju na oz. pri prečkanju z gramozom posutih poti, stez ali cest. Vedno ostanite pozorni na skrite nevarnosti in na promet.
- Ko naletite na tujek, ustavite motor, odstranite kabel s svečke, odklopite napajalni kabel elektomotorjev in skrbno pregledajte izdelek, če je poškodovan. Če najdete kakršnokoli poškodbo, jo popravite pred ponovnim zagonom in nadaljnjo uporabo izdelka.
- Če se začne izdelek neobičajno tresti, izklopite motor in nemudoma poiščite vzrok. Tresenje običajno opozarja na težave.
- Kadarkoli zapustite delovni položaj, pred odmaševanjem ohišja vrtalnika ali deflektorja izmetne odprtine in pred popravili, nastavljanjem ali pregledi ustavite motor.
- Pred čiščenjem, popraviljanjem ali pregledovanjem izdelka ustavite motor in se prepričajte, da so se vrtalniki in vsi premikajoči se deli ustavili. Odklopite kabel vžigalne svečke in ga odmaknite stran od svečke, da preprečite morebiten nenameren zagon motorja.
- Motorja ne uporabljajte v notranjih prostorih, razen ko ga zaženete in za prevoz izdelka v stavbo ali iz nje. Odprite vrata stavbe, saj so izpušni plini nevarni.

- Pri delu na nagibih bodite izjemno previdni.
- Izdelka ne uporabljajte brez nameščenih in delujočih ustreznih varoval in drugih varnostnih naprav.
- Deflektorja izmetne odprtine nikoli ne usmerjajte proti ljudem ali v smeri, kjer bi lahko nastala materialna škoda. Poskrbite, da v bližini ni otrok in drugih oseb.
- Ne preobremenjujte izdelka s prehitrim odmetavanjem snega.
- Izdelka nikoli ne uporabljajte z veliko hitrostjo na spolzkih površinah. Pri vzratnem gibanju glejte za hrbet in bodite še posebej pozorni.
- Ko izdelek prevažate ali ko ni v uporabi, izklopite pogon vrtnikov.
- Uporabljajte samo priključke in dodatno opremo, ki jih je odobril proizvajalec izdelka (kot so uteži za kolesa, protiteži ali kabine).
- Izdelka ne uporabljajte v slabi vidljivosti ali ob šibki svetlobi. Poskrbite, da vam ne drsi in trdno držite ročaje. Hodite, nikoli ne tecite.
- Nikoli se ne dotikajte vročega motorja ali vročega dušilnika hrupa.
- Skrbno namestite pokrovček odprtine za dolivanje goriva in pobrišite morebitno razlito gorivo.
- Če gorivo polijete po oblačilih, se nemudoma preoblecite.
- Pri vseh napravah z električnimi pogonskimi motorji ali električnim motorjem za zagon uporabljajte samo podaljševalne kable in vtičnice, ki jih navaja proizvajalec.
- Za čiščenje gramozne površine ali površine s peščenim nasutjem nastavite višino ohišja vrtnika.
- Nikoli ne poskušajte izvajati kakršnihkoli nastavitve med delovanjem motorja (razen kadar to posebej priporoča proizvajalec).
- Med uporabo naprave, med izvajanjem nastavitve in med popravljanjem vedno nosite varovalna očala ali zaščito za oči. Tako zaščitite oči pred predmeti, ki lahko priletijo iz naprave.

## Osebna zaščitna oprema

Pri uporabi izdelka vedno uporabljajte ustrezno osebno zaščitno opremo. To vključuje najmanj trpežno obutev, zaščito za oči in zaščito za sluh. Osebna zaščitna oprema ne izključuje nevarnosti poškodb, vendar v primeru nesreče omili posledice.

- Med uporabo izdelka ali med izvajanjem vzdrževanja ali popravil vedno nosite varnostna očala ali zaščito za oči.
- Med uporabo izdelka vedno nosite ustrezna zimska oblačila.
- Med uporabo izdelka vedno uporabljajte trpežno obutev, ki ne drsi, s podporo za gležnje.
- Ne nosite ohlapnih oblačil, ki se lahko ujamejo v premične dele.
- Po potrebi uporabljajte odobrene zaščitne rokavice. Na primer med nameščanjem, pregledovanjem ali čiščenjem rezila.
- Pri uporabi izdelka vedno uporabljajte odobreno zaščito za sluh. Dolgotrajen hrup lahko povzroči izgubo sluha.

## Varnostne naprave na izdelku

- Izdelek morate redno vzdrževati.
  - Življenjska doba izdelka se podaljša.
  - Nevarnost nesreč se zmanjša.
- Pooblaščen prodajalec ali pooblaščen servisni center naj izdelek redno pregleduje in izvaja nastavitve ter popravila.
- Izdelka ne uporabljajte s poškodovano zaščitno opremo. Če je izdelek poškodovan, se obrnite na pooblaščen servisni center.

## Dušilnik

Dušilnik zmanjšuje hrup na najnižjo možno raven in pošilja izpušne pline stran od operaterja.

## Varnost delovnega področja

- Skrbno pregledajte površino, na kateri boste uporabljali napravo. Odstranite vse predpražnike, sani, deske, kable in druge predmete.
- Pred zagonom motorja sprostite vse sklopke in prestavite menjalnik v prosti tek.
- Ob uporabi izdelka vedno nosite ustrezna zimska oblačila. Ne oblačite si ohlapnih oblačil, ki bi jih lahko zgrabili premikajoči se deli. Obujte si obutev z dobrim oprijemom na spolzkih površinah.
- Z gorivom ravnajte previdno, saj je zelo lahko vnetljivo.
  - Uporabljajte ustrezno (odobreno) posodo za gorivo.
  - Nikoli ne dolivajte goriva, ko motor teče oz. ko je motor vroč.
  - Posodo za gorivo napolnite na prostem. Bodite zelo previdni. Posode za gorivo nikoli ne polnite v zaprtem prostoru.
  - Posod z gorivom nikoli ne polnite v vozilu, na tovornjaku ali na prikolici s plastično oblogo. Posode pred polnjenjem vedno postavite na tla, stran od vozila.
  - Če je to praktično, odstranite opremo z bencinskim motorjem s tovornjaka in dolijte gorivo, ko je na tleh. Če to ni mogoče, je bolje, da napravo napolnite na prikolici s prenosno posodo, kot da jo polnite neposredno s dolivno pištolo črpalke.
  - Dolivno grlo naj bo ves čas v stiku z robom odprtine posode za gorivo, vse dokler dolivanje ni končano. Ne uporabljajte sistema za zaklepanje in odklepanje ročke za dolivanje goriva.

Ne uporabljajte izdelka, če dušilnik manjka ali je poškodovan. Poškodovan dušilnik zviša raven hrupa in poveča nevarnost požara.



**OPOZORILO:** Dušilnik se med in po uporabi ter med delovanjem motorja v prostem teku močno segreje. V bližini vnetljivih materialov in/ali hlapov bodite previdni, da preprečite požar.

## Varnost pri delu z gorivom



**OPOZORILO:** Pred uporabo izdelka preberite navodila v povezavi z opozorili v nadaljevanju.

- Če so na izdelku ostanki goriva ali motornega olja, izdelka ne zaganjajte. Očistite ostanke goriva/olja in počakajte, da se izdelek posuši.
- Če se z gorivom polijete po obleki, se nemudoma preoblecite.
- Pazite, da goriva ne polijete po telesu, saj lahko pride do poškodb. Če gorivo polijete po telesu, se očistite z milom in vodo.
- Če motor pušča, izdelka ne zaganjajte. Redno preverjajte, ali motor pušča.
- Z gorivom ravnajte previdno. Gorivo je vnetljivo, hlapi pa so eksplozivni, zato lahko pride do poškodb ali smrti.
- Ne vdihavajte hlapov goriva, saj lahko pride do poškodb. Zagotovite zadosten pretok zraka.
- V bližini goriva ali motorja ne kadite.
- Vročih predmetov ne postavljajte v bližino goriva ali motorja.
- Goriva ne dolivajte, ko je motor vklopljen.
- Pred dolivanjem goriva se prepričajte, da je motor ohlajen.
- Pred dolivanjem počasi odprite pokrovček posode za gorivo in previdno sprostite pritisk.
- Goriva ne dolivajte v zaprtih prostorih. Nezadosten pretok zraka lahko povzroči poškodbe ali smrt zaradi zadušitve ali zastrupitve z ogljikovim monoksidom.
- Skrbno privijte pokrovček posode za gorivo. Če pokrovček posode za gorivo ni dobro zatesnjen, obstaja nevarnost požara.

- Preden izdelek vklopite, ga premaknite najmanj 3 m/10 čevljev stran od mesta, kjer ste napolnili posodo za gorivo.
- Rezervoar za gorivo ne napolnite do konca. Gorivo se razširi zaradi vročine. Pustite prazen prostor na vrhu rezervoarja za gorivo.

## Opozorilo glede kemikalij



**OPOZORILO:** Emisije motorja iz tega izdelka vsebujejo kemikalije, za katere je v zvezni državi Kalifornija znano, da povzročajo raka, okvare ploda ali druge reprodukativne poškodbe. Za več informacij obiščite [www.P65Warnings.ca.gov](http://www.P65Warnings.ca.gov).

## Varnostna navodila za vzdrževanje



**OPOZORILO:** Pred uporabo izdelka preberite navodila v povezavi z opozorili v nadaljevanju.

- Izpušni plini iz motorja vsebujejo ogljikov monoksid, ki je strupen in zelo nevaren plin brez vonja. Motorja ne vklopite v zaprtih prostorih.
- Preden začnete z vzdrževanjem izdelka, ustavite motor in s svečke odstranite vžigalni kabel.
- Pri vzdrževanju rezil uporabite zaščitne rokavice. Rezila so izjemno ostra, zato lahko hitro pride do ureznin.
- Dodatki in spremembe izdelka, ki niso odobrene s strani proizvajalca, lahko vodijo k resnim poškodbam ali celo v smrt. Ne spreminjajte izdelka. Vedno uporabljajte samo dodatke, ki jih je odobril proizvajalec.
- Če izdelka ne vzdržujete pravilno in redno, se poveča nevarnost poškodb osebam in izdelku.
- Vzdrževalna dela opravite tako, kot je navedeno v teh navodilih za uporabo. Vsakršno drugačno vzdrževanje mora opraviti osebje pooblaščenih servisnih delavnic.
- Redno dovolite osebju pooblaščenih servisnih delavnic izvajati vzdrževalna dela.
- Zamenjajte poškodovane, obrabljene ali zlomljene dele.

## Montaža



**OPOZORILO:** Preden začnete sestavljati izdelek, morate prebrati in razumeti poglavje o varnosti.

## Namestitev ročaja

1. Iz ohišja odstranite 4 prirobnične vijake M8x25 (A).
2. Uporabite 4 prirobnične vijake M8x25 (A), 4 vzmetne podložke (B) in 4 ravne podložke (C).

3. Spodnji del ročaja (D) vstavite v 2 odprtini na vsaki strani ohišja. (Sl. 25)
4. Uporabite 3 zaklepne vijake ročaja M8x50 (A), 3 podložke (B), 3 gumbice za pritrditev ročaja (C) in 3 zaklepne matice (D).
5. Zgornji del ročaja s kontrolno ploščo (E) namestite na spodnji del ročaja. (Sl. 26)

## Namestitev deflektorja izmetne cevi

1. Z ohišja odstranite disk rotacijske glave (B) in 6 šestkotnih prirobničnih vijakov (D).
2. Pritrdite disk rotacijske glave (B) in deflektor izmetne cevi (A) na osnovo izmetne cevi z uporabo 3 omejevalnih blokov (C).
3. Uporabite 6 šestkotnih prirobničnih vijakov (D) in 6 zaklepnih matic (E), da zaklenete omejevalne bloke (C). (Sl. 27)

## Namestitev ročice rotatorja izmetne cevi

1. Sestavite sprednji del ročice rotatorja izmetne cevi.
2. Namestite plastično pušo (B) na sprednji konec ročice rotatorja izmetne cevi.
3. Ročico rotatorja izmetne cevi pritrdite z 1 ravno podložko (A) in 1 vtičem (C). (Sl. 28)
4. Sestavite zadnji del ročice rotatorja izmetne cevi.
5. Za sestavljanje ročice rotatorja izmetne cevi uporabite 1 zaklepno matico M8 (A), 1 plastični gumb za učvrstitev ročaja (B), 2 zaviti podložki (C) in 1 dolgi vijak z držalom (D).
6. Uporabite 1 šestkotno matico M8 (E), da pritrdite ročico rotatorja izmetne cevi (F) v odprtine ročaja. (Sl. 29)

## Sestavljanje krmilnega veznega droga za hitrost vožnje

1. Namestite dolg upognjen konec krmilnega veznega droga za hitrost vožnje (A) na kontrolno ploščo in jo

pritrdite z 1 vzmetjo (B), 1 ravno podložko (C) in 1 zatičem (D). (Sl. 30)

2. Potegnite navzgor povezovalno ploščico menjalnika (B) in namestite kratek upognjen konec krmilnega veznega droga za hitrost vožnje (A). Krmilni vezni drog za hitrost vožnje (A) pritrdite z 1 ravno podložko (C) in 1 zatičem (D). (Sl. 31)
3. Po potrebi podaljšajte krmilni vezni drog za hitrost vožnje. Odvijte zaklepne matice zateznega elementa in zasukajte zatezni element. Za pravilno nastavitvev hitrosti privijte zatezni element nazaj na prvotno mesto. Prvotna mesto je označen na navojih. (Sl. 32)

## Sestavljanje polža in kablov gonila

1. Odstranite 2 vijaka za privijanje kabla (B) s kabla (D).
2. Na luknje na levi in desni ročici (A) pritrdite 2 vijaka za privijanje kabla (B). (Sl. 33)
3. Kable (D) pritrdite na vijake za privijanje kabla (B).
4. Levi in desni vstavek kabla (D) in vijak za privijanje kabla (B) povežite in zaklenite, dokler zgornji del medeninaste zaklepne matice (C) ni poravnan z oznako na navojih (E).
5. Zaklenite kabel z medeninasto zaklepno matico (C).

---

## Delovanje

---



**OPOZORILO:** Pred uporabo izdelka morate natančno prebrati in razumeti poglavje o varnosti in navodila za uporabo.

### Pred uporabo izdelka

- Druge osebe in živali morajo biti zunaj delovnega območja.
- Izvajajte vsakodnevno vzdrževanje. Glejte *Urniki vzdrževanja na strani 394*.
- Preverite, ali se vžigalna žica pravilno prilega svečki.
- Po potrebi dolijte olje ali bencin. Glejte *Dolivanje olja v motor na strani 392*.

### Dolivanje olja v motor



**POZOR:** Ob preverjanju olja ne vrtite merilne palice. Olja ne polnite nad oznako.

1. Odstranite pokrovček posode za olje in očistite merilno palico. Za lokacijo merilne palice glejte *Pregled izdelka na strani 386*.
2. Olje dolijte do zgornje oznake na merilni palici. Z merilno palico preverjajte nivo olja v rednih intervalih.
3. Nazaj namestite pokrovček posode za olje.

### Dolivanje goriva

Če je na voljo, uporabite nizkoemisijsko/alkilatno gorivo. Če gorivo z nizko stopnjo emisij/alkilatov ni na voljo, uporabljajte neosvinčen bencin dobre kakovosti. Uporabljajte le goriva s številom oktanov 90 RON (za Severno Ameriko 87 (R+M)/2) ali več ter goriva z največ 10-odstotno vsebnostjo etanola (E10).



**POZOR:** Ne uporabljajte goriv s številom oktanov pod 90 RON (za Severno Ameriko 87 (R+M)/2). Izdelek se lahko tako poškoduje.

1. Počasi odprite pokrovček posode za gorivo, da sprostite pritisk.



- Napolnite počasi s posodo za gorivo. Če gorivo polijete, ga pobrišite s krpo in pustite, da se preostalo gorivo posuši.
- Očistite področje okrog pokrovčka posode za gorivo.
- Skrbno privijte pokrovček posode za gorivo. Če pokrovček posode za gorivo ni dobro zatesnjen, obstaja nevarnost požara.
- Preden izdelek vklopite, ga premaknite najmanj 3 m (10 čevljev) stran od mesta, kjer ste napolnili posodo za gorivo.

## Nastavljanje deflektorja izmetne cevi

Smer izmeta snega uravnava ročica rotatorja izmetne cevi, ki je nameščena na levem ročaju.

- Zavrtite ročico rotatorja izmetne cevi in nastavite smer izmeta snega.
- Ročico rotatorja izmetne cevi zavrtite v smeri urinega kazalca, da bi smer izmeta snega nastavili v desno.
- Ročico rotatorja izmetne cevi zavrtite v obratni smeri urinega kazalca, da bi smer izmeta snega nastavili v levo. (Sl. 34)
- Premaknite kotni nastavek navzgor ali navzdol, da prilagodite razdaljo izmeta snega. (Sl. 35)

## Zagon motorja

- Sprostite vklop pogona. Krmilno ročico za hitrost vožnje potisnite v prvi položaj.
- Glavno za gorivo obrnite v položaj za vklop (ON). (Sl. 36)
- Čok obrnite v zaprt položaj (CLOSE). (Sl. 37)
- Tipko za vklop/izklop potisnite v položaj za vklop (RUN). (Sl. 38)
- 1–3 krat potisnite črpalko za gorivo, da zaženete spodbujevalno črpalko. Spodbujevalno črpalko uporabite za hladen zagon pri nizkih temperaturah. (Sl. 39)
- Povlecite zaganjalno ročico s povratno vzmetjo. (Sl. 40)



**POZOR:** Zaganjalne ročice s povratno vzmetjo ne izpustite naglo. Počasi jo premaknite nazaj v položaj za zagon.

**Opomba:** Če je zaganjalna ročica s povratno vzmetjo zatakajna, jo počasi izvlecite iz zaganjalnika, kolikor je mogoče, in izpustite zaganjalno ročico s povratno vzmetjo. Če se motor ne zažene, ponovite postopek ali uporabite električni zaganjalnik.

- Pred začetkom odmetavanja snega pustite motor delovati 30–40 sekund v prostem teku.
- Ko je motor ogret, počasi premaknite čok v odprti položaj (OPEN). (Sl. 41)

## Električni zagon motorja



**OPOZORILO:** Izdelek je opremljen z električnim zaganjalnikom 230 V (izmenični tok). Električnega zaganjalnika ne uporabljajte, če v vašem gospodinjstvu nimate ozemljenega sistema 230 V (izmenični tok). Pride lahko do hude telesne poškodbe ali poškodovanja izdelka. Električni zaganjalnik je opremljen s trožilnim napajalnim vtičem in je zasnovan za delovanje prek običajnih gospodinskih električnih priključkov 230 V (izmenični tok). Prepričajte se, da je vaše gospodinjstvo opremljeno z ozemljenim sistemom 230 V (izmenični tok). Če niste prepričani, se obrnite na licenciranega električarja.

**Opomba:** Uporabite podaljševalni kabel, ki je priporočljiv za uporabo na prostem in ima velikost žice najmanj 16 AWG (1,5 mm<sup>2</sup>) in ni daljši od 15 m.

- Sprostite vklop pogona. Krmilno ročico za hitrost vožnje potisnite v prvi položaj.
- Glavno za gorivo obrnite v položaj za vklop (ON). (Sl. 36)
- Čok obrnite v zaprt položaj (CLOSE). (Sl. 37)
- Tipko za vklop/izklop potisnite v položaj za vklop (RUN). (Sl. 38)
- 1–3 krat potisnite črpalko za gorivo, da zaženete spodbujevalno črpalko. Spodbujevalno črpalko uporabite za hladen zagon pri nizkih temperaturah. (Sl. 39)
- Izdelek priklopite na napajanje. (Sl. 42)
- Pritisnite gumb za zagon na kontrolni omarici in ga in zadržite pritisnjeno 5 sekund. (Sl. 43)
- Če motorja ni mogoče zagnati, počakajte 5 sekund in znova pritisnite gumb za zagon.



**POZOR:** Motorja ne poskušajte zagnati več kot 10-krat. Po 10 poskusih počakajte 40 minut, preden poskusite znova.

- Ko zaženete motor, izključite napajalni kabel iz izdelka.
- Pred začetkom odmetavanja snega pustite motor delovati 30–40 sekund v prostem teku.
- Ko je motor ogret, počasi premaknite čok v odprti položaj (OPEN). (Sl. 41)

## Upravljanje izdelka

- Stisnite vklop polža na ročaju, da vklopite polža in pričnete z odmetavanjem snega. (Sl. 44)
- Krmilno ročico za hitrost vožnje premaknite v levo, če želite izdelek premikati naprej. Krmilno ročico za

hitrost vožnje premaknite v desno, če želite izdelek premikati vzvratno. (Sl. 45)

3. Vklp pogona upravljate z desnim ročajem.
4. Stisnite vklp pogona na ročaju, da vklopíte pogonska kolesa. Izdelek se premika naprej ali nazaj, odvisno od lokacije krmilna ročica za hitrost vožnje. (Sl. 46)

## Izklop izdelka

**Opomba:** Za izklop motorja v sili izvlecite tipko za vklop/izklop.

1. Sprostite vklp pogona, da zaustavite pogonska kolesa.
2. Sprostite vklp polža, da zaustavite polža in nehate z odmetavanjem snega. (Sl. 47)
3. Glavno za gorivo obrnite v položaj za vklop (OFF). (Sl. 48)
4. Izvlecite tipko za vklop/izklop. (Sl. 49)

## Kako doseči dober rezultat

- Motor mora vedno delovati s polnim plinom ali s skoraj polnim plinom.

- Hitrost izdelka vedno prilagodite snežnim razmeram in nastavite hitrost s krmilno ročico za hitrost vožnje. Prepričajte se, da izdelek izmetava sneg enakomerno.
- Enostavnejše in učinkoviteje je sneg odstraniti takoj zatem, ko zapade.
- Kjer je mogoče, odmetavajte sneg v smeri z vetrom.
- Na ravnih površinah, kot so asfaltna cestišča, dvignite drsne plošče na višino 5–6 mm (0,2–0,25 in) nad tlemi.
- Meč strgala deluje dvostransko. Ko se obrabi skoraj do roba ohišja, ga obrnite. Zamenjajte meč strgala, če je poškodovan ali če sta obrabljeni obe strani.
- Ne zavrzite deflektorja izmetne odprtine, če je zamašen.
- Če se izdelek nepričakovano neha premikati naprej, takoj sprostite vklp pogona ali premaknite kontaktni ključ v položaj za izklop (OFF).

## Vzdrževanje

### Urnik vzdrževanja

Vzdrževanje	Dnevno	20 ur	50 ur	100 ur
Prepričajte se, da so matice in vijaki dobro priviti	X			
Preverite nivo motornega olja	X			
Menjava olja <sup>139</sup>		X	X	X
Prepričajte se, da gorivo ali olje ne iztekata	X			
Odstranjanje zamašitve, tujkov v vrtalniku	X			
Preverjanje tlaka v pnevmatikah <sup>140</sup>			X	
Pregled in menjava svečke <sup>141</sup>				X

<sup>139</sup> Olje zamenjajte po prvih 20 h, 50 h, 100 h, zatem pa na vsakih 100 h.

<sup>140</sup> Za pravičen tlak glejte tehnične podatke.

<sup>141</sup> Svečko preverite in očistite vsako leto pred začetkom uporabe izdelka.

**Opomba:** V menjalnik ni treba dodajati masti ali izvajati drugih vzdrževalnih del.

## Izvajanje splošnih pregledov

- Prepričajte se, da so vse matice in vijaki na izdelku ustrezno priviti.

## Kako preveriti nivo olja



**POZOR:** Če je nivo olja prenizek, se lahko poškoduje motor. Preden zaženete izdelek, preverite nivo olja.

1. Izdelek naj bo na ravnih tleh.
2. Odstranite pokrov rezervoarja olja s priloženo merilno palico.
3. Z merilne palice očistite olje.
4. Merilno palico do konca vstavite v rezervoar olja, da dobite pravi nivo olja.
5. Odstranite merilno palico.
6. Na merilni palici preučite nivo olja.
7. Če je nivo olja nizek, dolijte motorno olje in še enkrat preverite nivo olja.

## Zamenjava motornega olja

1. Motor naj deluje nekaj minut, da se olje segreje. Toplo olje lažje izteka in izpere več nečistoč.



**OPOZORILO:** Motorno olje je vroče. Ne dovolite, da bi izrabljeno motorno olje prišlo v stik s kožo.

2. Izdelek naj bo na ravnih tleh.
3. Pustite, da motor teče, dokler ni vse gorivo porabljeno.
4. Odstranite kontaktni ključ.
5. Pod vijak za izpust olja postavite zbiralno posodo.
6. Odstranite vijak za izpust olja, nagnite izdelek nazaj in iztočite izrabljeno olje v posodo. (Sl. 50)
7. Izdelek postavite nazaj v delovni položaj.
8. Namestite vijak za izpust olja in ga čvrsto privijte z roko.
9. Dolijte olje v motor; glejte *Dolivanje olja v motor na strani 392*.

## Pregled svečke



**POZOR:** Vedno uporabljajte priporočeno vrsto svečke. Zaradi neustrezne vrste vžigalne svečke se izdelek lahko poškoduje.

- Če se moč motorja zmanjša, motorja ni mogoče enostavno zagnati ali ta ne deluje ustrezno v prostem teku, preglejte vžigalno svečko.

- Tveganje za pojav oblog na elektrodah vžigalne svečke lahko zmanjšate tako, da upoštevate ta navodila:

- a) Hitrost prostega teka mora biti pravilno nastavljena.
  - b) Vrsta goriva mora biti ustrezna.
  - c) Zračni filter mora biti čist.
- Če je vžigalna svečka umazana, jo očistite in zagotovite, da je razmak med elektrodama ustrezen; glejte *Tehnični podatki na strani 400*. (Sl. 51)
  - Vžigalno svečko po potrebi zamenjajte.

## Pregled vrtnikov in meča strgala

1. Pred vsako uporabo preverite vrtnike in meč strgala, če so obrabljeni.
2. Če je rob meča strgala obrabljen, obrnite meč. Če je meč strgala poškodovan ali obrabljen na obeh robovih, ga zamenjajte.
3. Če so robovi vrtnikov obrabljeni, se obrnite na pooblaščen servisni center, da jih zamenjajo.

## Nastavitev drsnih plošč

Drsne plošče preprečujejo poškodbe spodnjega dela snežne freze. Drsne plošče (A) je treba nastaviti, če popusti protimatica (B) ali če drsna plošča ni na ustreznih razdalji od tal. Pri običajni namestitvi nastavitve niso potrebne.

1. S 13-mm ( $\frac{1}{2}$ ") odprtim izvijačem odvijte protimatico (B).
2. Drsne plošče (A) potisnite navzgor ali navzdol.
  - a) Na ravnih površinah naj bo razdalja med mečem strgala in tlemi od 5 do 6 mm (0,2–0,25 palca).
  - b) Na grobih površinah nastavite drsne plošče (A) tako, da bo meč strgala nad zgornjo površino tal.



**OPOZORILO:** Pazite, da v izdelek ne zaide gramoz ali kamenje. Obstaja nevarnost poškodb zaradi izmeta predmetov pri visoki hitrosti.

3. Zategnite protimatico (B). (Sl. 52)

## Zamenjava strižnega zatiča

Strižni zatič štiti izdelek pred poškodbami. Zlomi se, če v gibljive dele zaide tujek.

1. Če se strižni zatič zlomi, zaustavite motor.
2. Pritrdite nov strižni zatič (A) in novo vzmetno sponko (B). (Sl. 53)

## Pregledovanje pnevmatik

- Pnevmatike naj ne bodo v bližini goriva, olja in kemikalij, da preprečite poškodbe gume.
- S pnevmatikami se izogibajte štorov, kamnov, brazd, ostrih predmetov in drugih predmetov, ki bi lahko povzročili poškodbe pnevmatik.

- Skrbite za ustrezen tlak v pnevmatikah, glejte *Tehnični podatki na strani 400.*

## Čiščenje zamašenega deflektorja izmetne cevi

Deflektorja izmetne cevi ne poskusite odmašiti, dokler ne opravite naslednjega.

1. Hkrati sprostite vklop polža in vklop pogona.
2. Počakajte 10 sekund, da se polž ustavi.
3. Izklopite izdelek.
4. Za odmaševanje uporabite orodje za čiščenje (dolgo vsaj 37 cm (15 palcev), priloženo nekaterim modelom).



**OPOZORILO:** v deflektor izmetne cevk ali v ohišje polža ne segajte z rokami.

---

## Čiščenje izdelka

- Plastične dele čistite s čisto in suho krpo.
- Izdelka ne čistite z visokotlačnim čistilnikom.
- Vode ne zlivajte neposredno na motor.
- S krtačo odstranite listje, travo in umazanijo.

## Odpravljanje težav

### Odpravljanje težav

Težava	Možen vzrok	Rešitev
Izdelka ni mogoče zagnati	Varnostni kontaktni ključ ni vstavljen.	Vstavite varnostni kontaktni ključ.
	V izdelku je zmanjkalo goriva.	Posodo za gorivo napolnite s svežim, čistim bencinom.
	Tipka za vklop/izklop je v položaju za izklop (OFF).	Tipko za vklop/izklop premaknite v položaj za vklop (ON).
	Čok je v položaju za izklop (OFF) (ZAPRT).	Čok premaknite v položaj za vklop (POVSEM ODPRT).
	Črpalka za gorivo ni bila pritisnjena.	Pritisnite črpalko za gorivo.
	Motor je zalit.	Počakajte nekaj minut pred ponovnim zagonom, NE pritiskajte črpalke za gorivo.  Znova zaženite motor, tako da sta polni plin in čok v položaju za izklop (OFF) (ZAPRT).
	Kabel svečke ni priključen.	Priklopite kabel na svečko.
	Svečka je okvarjena.	Zamenjajte svečko.
	V gorivu je voda ali pa je gorivo prestaro.	Izpraznite posodo za gorivo in uplinjalnik. Posodo za gorivo napolnite s svežim, čistim bencinom.
	V vodu za gorivo je zaprta para.	Prepričajte se, da je celoten vod za gorivo pod izhodom posode za gorivo. Vod za gorivo mora neprekinjeno potekati navzdol od posode za gorivo do uplinjalnika.
	Drugi vzroki.	Pozorno si oglejte postopke zagona v tem priročniku.
	Stikalo za gorivo (če je izdelek za njim opremljen) je v zaprtem položaju (CLOSE).	Stikalo za gorivo (F) obrnite v ODPRT položaj (VKLOP).
Ročica za plin je v položaju za zaustavitev (STOP).	Ročico za plin premaknite v položaj za hitro vožnjo.	

<b>Težava</b>	<b>Možen vzrok</b>	<b>Rešitev</b>
Zmanjšana moč	Kabel svečke ni priključen.	Priklopite kabel na svečko.
	Izdelek izmetava preveč snega.	Zmanjšajte hitrost in širino pasu.
	Pokrovček posode za gorivo je prekrit z ledom ali snegom.	Odstranite led in sneg s pokrovčka posode za gorivo in okrog njega.
	Dušilnik je umazan ali zamašen.	Očistite ali zamenjajte dušilnik.
	neustrezna dolžina kabla.	Prilagodite kabel.
	Dušilnik je blokiran.	Prepričajte se, da je motor ohlajen. Odstranite blokado.
	Dovod zraka na dušilniku je blokiran.	Prepričajte se, da je motor ohlajen. Odstranite blokado.
Motor deluje v prostem teku ali deluje grobo	Čok je v položaju za VKLOP (POVSEM ODPRT).	Čok premaknite v položaj za IZKLOP (ZAPRT).
	Vod za gorivo je blokiran.	Očistite vod za gorivo.
	V gorivu je voda ali pa je gorivo prestaro.	Izpraznite posodo za gorivo in uplinjalnik. Posodo za gorivo napolnite s svežim, čistim bencinom.
	Zamenjati je treba uplinjalnik.	Obrnite se na pooblaščen servisni center.
	Jermen je raztegnjen.	Zamenjajte klinasti jermen vrtalnika.
Prekomerno tresenje/ premikanje ročaja	Nekateri deli so ohlapni. Polži so poškodovani.	Zategnite vse pritrdilne elemente. Zamenjajte poškodovane dele. Če so tresljaji še vedno prisotni, se obrnite na pooblaščen servisni center.
	Ročaji niso pravilno nameščeni.	Prepričajte se, da so ročaji zaskočeni v položaj.
	Matice ročice za nastavitve so zrahljane.	Zategnite matice, dokler ročaj ni varno pritrjen.
Zaganjalno ročico s povratno vzmetjo je težko povleči	Zaganjalna ročica s povratno vzmetjo je zamrznjena.	Počasi izvlecite iz zaganjalnika čim več vrvice, kolikor je mogoče, in izpusžite zaganjalno ročico s povratno vzmetjo. Če se motor ne zažene, ponovite postopek ali uporabite električni zaganjalnik.
	Vrvica moti delovanje sestavnih delov.	Vrvica s povratno vzmetjo se ne sme dotikati žic ali cevi.

Težava	Možen vzrok	Rešitev
Izguba voznega pogona/ upočasnitev vozne hitrosti	Jermen zdrsne.	Prilagodite kabel. Prilagodite jermen.
	Jermen je obrabljen.	Preverite/zamenjajte jermen.
Izguba izmeta snega ali upočasnitev izmeta snega	Jermen se je snel z jermenice.	Preverite/znova namestite jermen.
	Deflektor izmetne cevi je zamašen.	Očistite deflektor izmetne cevi.
	Tujki so zamašili polže.	Odstranite ostanke ali tujek iz polžev.
	Strižni zatič je poškodovan.	Zamenjajte poškodovan strižni zatič.
	Prekomerno nabiranje snega in ledu med komponentami koloteka.	Odstranite sneg in led iz komponent koloteka.
	Torno pogonsko kolo je obrabljeno.	Obrnite se na pooblaščen servisni center.
Vrtalnik se ne vrti, ko sproстите ročaj	Pogonski jermen ni poravnan.	Prilagodite pogonski jermen.
	Izmetna odprtina ni poravnana.	Prilagodite deflektor izmetne odprtine.
Luči ne svetijo (če so nameščene).	Motor ne deluje.	Zaženite motor.
	Kabel ni dobro priključen.	Preverite priključitve kablov na motorju in na lučeh.
	Lučka LED je pregorela.	Zamenjajte modul z lučkami LED. Posameznih lučk LED ni mogoče zamenjati.
Rotacijska glava izmetne cevi se težko premika	V mehanizmu rotacijske glave izmetne cevi so se nabrali delci.	Očistite notranje dele mehanizma rotacijske glave izmetne cevi.
	Kabli so prepleteni ali poškodovani.	Poskrbite, da kabli niso prepleteni. Zamenjajte poškodovane kable.
Izdelek se obrača na eno stran.	Tlak v pnevmatikah ni enakomeren.	Nastavite tlak v pnevmatikah in napolnite pnevmatike.
	Izdelek se vozi samo na enem kolesu.	Preverite varovalni zatič pnevmatik.
	Neenakomerna nastavitev sani.	Nastavite drsne plošče in sani.
	Neenakomerna nastavitev drsni plošč.	Nastavite drsne plošče in sani.

## Transport skladiščenje in odstranitev

### Prevoz in skladiščenje

- Preden prevažate in skladiščite izdelek in gorivo, se prepričajte, da izdelek ne pušča in da ni hlapov. Iskre ali odprti plamen, npr. z električnih naprav ali kotlov, lahko zanetijo ogenj.
- Za prevoz in skladiščenje goriva vedno uporabite odobrene posode.
- Preden izdelek skladiščite za daljše obdobje, izpraznite rezervoar za gorivo.

- Če je na posodi za gorivo uplinjalnika odtočni vijak, izpraznite rezervoar za gorivo, če izdelka daljše obdobje ne nameravate uporabljati.
- Izdelek varno pritrdite na prevozno sredstvo, da se izognete poškodbam in nesrečam.
- Izdelek skladiščite v zaklenjenem prostoru, tako da otroci ali osebe, ki niso primerne za rokovanje z izdelkom, do izdelka ne morajo dostopati.
- Izdelek skladiščite na suhem mestu, kjer ne zmrzuje.

## Odstranitev

- Upoštevajte lokalne zahteve in veljavne predpise.
- Vse kemikalije, na primer motorno olje ali gorivo, zavrzite na servisnem centru ali na kakšni drugi temu primerni lokaciji.

- Izdelek zavrzite na odobreni lokaciji za zbiranje odpadkov ali ga pošljite podjetju Husqvarna za odstranjevanje.

## Tehnični podatki

### Tehnični podatki

	ST 124
<b>Mere</b>	
Teža s praznimi posodami v kg	76
Najvišji delovni tlak v pnevmatikah, PSI	20
Višina vhoda, cm	53,3
Delovna širina, cm	61
<b>Motor</b>	
Znamka	Husqvarna
Nazivna izhodna moč motorja, kW	4,3
Gibna prostornina, cm <sup>3</sup>	212
Vrsta goriva	Neosvinčeno standardno (največ 10 % etanola)
Kapaciteta goriva, gal/l	0,58/2,2
Vrsta olja (API SJ-SN)	SAE 5W-30 (pod 0 °C (32 °F))
Kapaciteta posode za olje fl. oz/l	20/0,6
<b>Električni sistem</b>	
Svečka	F7RTC
Razmak med elektrodama vžigalne svečke (palci/mm)	0,027–0,031/0,7–0,8
<b>Emisije hrupa</b> <sup>142</sup>	
Raven zvočne moči, izmerjena v dB (A)	100
Raven zvočne moči, zajamčena L <sub>WA</sub> dB(A)	102
<b>Nivoji hrupa</b> <sup>143</sup>	
Raven zvočnega tlaka pri uporabnikovem ušesu, izmerjeno L <sub>PA</sub> dB (A)	86
<b>Nivo vibracij a<sub>hveq</sub></b> <sup>144</sup>	

<sup>142</sup> Emisije hrupa v okolje, merjene kot moč zvoka (L<sub>WA</sub>) v skladu z direktivama ES 2000/14/ES in 2005/88/ES. Zabeleženi podatki za emisije hrupa imajo tipično statistično razpršitev (standardni odklon) 1,5 dB(A). Negotovost = 1,5 dB (A)

<sup>143</sup> Raven zvočnega tlaka v skladu s standardom EN ISO 11201. Zabeleženi podatki za nivo zvočnega tlaka imajo tipično statistično razpršitev (standardni odklon) 1,5 dB(A). Negotovost = 1,5 dB (A)

<sup>144</sup> Raven tresljajev glede na ISO 8437-4, Priloga B. Negotovost = 1,5 m/s<sup>2</sup>



	<b>ST 124</b>
Raven tresljajev na ročaju, levo/desno	4,15/4,08

# Izjava ES o skladnosti

## VSEBINA IZJAVE ES O SKLADNOSTI

Husqvarna, SE-561 82 Huskvarna, SWEDEN, izjavlja na lastno odgovornost, da je predstavljeni izdelek:

Opis	Snežna freza
Znamka	Husqvarna
Platforma/vrsta/model	ST 124
Serija	Serijske številke od letnika 2020 dalje

v celoti skladen z naslednjimi direktivami in uredbami EU:

Direktiva/uredba	Opis
2006/42/ES	o strojih
2014/30/EU	o elektromagnetni združljivosti
2000/14/ES; 2005/88/ES	o zunanjem hrupu
2011/65/EU	"o omejevanju uporabe nekaterih nevarnih snovi"

Usklajeni standardi in/ali tehnične specifikacije v veljavi:  
EN ISO 12100:2010, EN ISO 14982:2009, ISO 8437-1:2019, ISO 8437-2:2019, ISO 8437-4:2019, ISO 3744:1995, EN 1032:2003+A1:2008, EN 50581:2012

V skladu z direktivo 2000/14/ES in 2005/88/ES, priloga V, so določene ravni zvoka navedene v poglavju s tehničnimi podatki v tem priročniku in v podpisani izjavi ES o skladnosti.

Dobavljena snežna freza je enaka izdelku, na katerem je bil opravljen pregled.

V imenu družbe Husqvarna AB, SE-561 82 Huskvarna, ŠVEDSKA, 7. 2. 2020



Claes Losdal

Oseba, odgovorna za sestavljanje tehničnih dokumentov znotraj EU

---

# Contenido

---

Introducción.....	403	Resolución de problemas.....	414
Seguridad.....	404	Transporte, almacenamiento y eliminación.....	416
Montaje.....	409	Datos técnicos.....	417
Funcionamiento.....	409	Declaración de conformidad CE.....	419
Mantenimiento.....	412		

---

## Introducción

---

### Descripción del producto

(Fig. 1)

1. Acoplamiento del sinfín
2. Palanca de control de la velocidad de la transmisión
3. Panel de control
4. Cable del sinfín
5. Control del rotador del conducto
6. Deflector del conducto
7. Herramienta de limpieza
8. Carcasa del sinfín
9. Sinfines
10. Plancha protectora
11. Neumático
12. Boca de llenado de aceite
13. Motor
14. Empuñadura inferior
15. Varilla de control de la velocidad de avance
16. Cable de la transmisión
17. Empuñadura de la cuerda de arranque
18. Engranado de la transmisión
19. Empuñaduras
20. Cebador
21. Estrangulador
22. Interruptor de combustible
23. Llave de encendido/apagado
24. Manual de instrucciones

### Descripción del producto

Este producto es un quitanieves que se utiliza para retirar la nieve del suelo.

### Uso previsto

Este producto puede utilizarse para retirar la nieve de campos, carreteras, caminos y vías de acceso. No lo use en pendientes superiores a 15°. No utilice el producto en zonas donde haya muchos residuos, suciedad y piedras prominentes.

### Symbols on the product

---

**Note:** If the decals on the product are damaged, contact the distributor to replace them.

---

- (Fig. 2) Warning.
- (Fig. 3) Read the operator's manual.
- (Fig. 4)
- (Fig. 5) Hot surface.
- (Fig. 6) Risk of fire.
- (Fig. 7) Choke.
- (Fig. 8) Pull starter rope handle.
- (Fig. 9) Do not breathe in the exhaust fumes from the engine.
- (Fig. 10) Do not put any part of the body into the chute deflector or the auger housing when the augers rotate.
- (Fig. 11) Stop the engine before you remove snow from the chute deflector. Use the clean-out tool to remove snow, do not do it by hand.
- (Fig. 12)
- (Fig. 11) Keep hands away from the chute deflector.
- (Fig. 13) Objects can be ejected from the product.
- (Fig. 14) Keep bystanders away from the product when operating.
- (Fig. 15) Remove key before maintenance.
- (Fig. 16) Push in the on/off key to the RUN position.
- (Fig. 17) Turn the fuel switch to the ON position.
- (Fig. 18) Push the primer.
- (Fig. 19) Risk of falling.

- (Fig. 20) Move slowly rearward.
- (Fig. 21) Use approved protective gloves.
- (Fig. 22) Use a protective helmet. Use approved hearing protection. Use approved eye protection.
- (Fig. 23) Noise emissions to the environment according to European Directive 2000/14/EC and New South Wales legislation "Protection of the Environment Operations (Noise Control) Regulation 2017". Noise emission data can be found on the machine label and in the Technical data chapter.
- (Fig. 24) European machinery directive for safety.

**Nota:** Other symbols/decals on the product refer to certification requirements for some markets.

## Emisiones Euro V



**ADVERTENCIA:** La manipulación del motor anula la homologación de la UE de este producto.

## Seguridad

### Definiciones de seguridad

Las definiciones siguientes indican el nivel de gravedad para cada palabra de señalización de riesgo.



**ADVERTENCIA:** Lesiones a personas.



**PRECAUCIÓN:** Daños en el producto.

**Nota:** Esta información hace que el producto sea más fácil de usar.

### Prácticas de funcionamiento seguro para los quitanieves conducidos a pie

#### General

Esta máquina puede amputar las manos y los pies, además de lanzar objetos al aire. Si no se cumplen las instrucciones de seguridad siguientes existe el riesgo de sufrir heridas graves.

#### Formación

- Lea, asegúrese de entender y siga todas las instrucciones que aparecen en la máquina y en el manual antes de utilizar la unidad. Familiarícese con los controles y el uso apropiado de la máquina.

## Fabricante

Husqvarna AB

Drottninggatan 2, SE-561 82 Huskvarna

## Responsabilidad sobre el producto

Como se estipula en las leyes de responsabilidad del producto, no nos hacemos responsables de los daños y perjuicios causados por nuestro producto si:

- El producto se ha reparado incorrectamente.
- El producto se ha reparado con piezas que no eran del fabricante o no autorizadas por el fabricante.
- El producto tiene un accesorio que no es del fabricante o no está autorizado por este.
- El producto no se ha reparado en un centro de servicio autorizado o por un organismo homologado.

Aprenda a detener la unidad y desconectar los controles con rapidez.

- No permita nunca que los niños utilicen la máquina. No permita que los adultos utilicen la máquina sin haber recibido instrucciones adecuadas.
- Mantenga a las personas, en especial niños pequeños, alejados de la zona de funcionamiento.
- Tenga cuidado para no resbalar o caer, en especial cuando utiliza la máquina marcha atrás.

#### Preparación

- Inspeccione detenidamente la zona donde va a utilizar la máquina y retire alfombrillas, trineos, tableros, cables y todo tipo de objetos.
- Desconecte todos los embragues y ponga el cambio en punto muerto antes de arrancar el motor.
- No utilice la máquina sin llevar una indumentaria adecuada para el invierno. No utilice ropa holgada que pueda quedar atrapada entre las piezas móviles. Utilice calzado que facilite el desplazamiento por superficies resbalosas.
- Utilice siempre gafas de seguridad o protección para los ojos durante el funcionamiento o al realizar ajustes o reparaciones, con el fin de proteger los ojos de los objetos extraños que puede despedir la máquina.
- Maneje el combustible con cuidado, es muy inflamable.
  - Utilice un recipiente para combustible homologado.

- Nunca añada combustible a un motor en marcha o caliente.
- Llene el depósito de combustible en el exterior y con mucho cuidado. Nunca llene el depósito en interiores.
- Nunca llene recipientes dentro de un vehículo ni sobre una camioneta o un remolque con revestimientos plásticos. Antes de llenar los recipientes colóquelos en el suelo, alejados del vehículo.
- Cuando resulte práctico, retire el equipo con motor de gasolina de la camioneta o el remolque y recargue el depósito en el suelo. Si tal cosa no es posible, recargue el equipo en el remolque con un recipiente portátil, en lugar de hacerlo con una boquilla de dispensador de gasolina.
- Mantenga la boquilla en contacto permanente con el borde del depósito de combustible o la abertura del recipiente hasta terminar la recarga. No use los dispositivos de bloqueo de la boquilla del surtidor.
- Vuelva a colocar el tapón de gasolina con firmeza y limpie los restos de combustible vertido.
- Si se derrama gasolina en su ropa, cámbiese inmediatamente.
- Utilice los cables alargadores y enchufes especificados por el fabricante de las unidades con motores de arranque eléctricos.
- Ajuste la altura de la carcasa del recogedor de tal forma que quede cierta separación entre este y la superficie de grava o roca triturada.
- Nunca intente realizar ajustes con el motor en marcha (salvo cuando el fabricante lo indique expresamente).

### **Funcionamiento**

- No coloque manos ni pies cerca ni debajo de las piezas giratorias. Manténgase siempre alejado de la compuerta de descarga.
- Tenga sumo cuidado cuando trabaje o cruce caminos o senderos de grava. Tenga cuidado con los peligros ocultos o al trabajar cerca de la vía pública.
- Si golpea un objeto extraño, detenga el motor, desconecte el cable de la bujía, desconecte el cable si el motor es eléctrico, inspeccione atentamente el quitanieves en busca de daños y, si existen, repárelos antes de volver a poner en marcha y utilizar el quitanieves.
- Si la máquina comenzase a vibrar anormalmente, detenga el motor y averigüe inmediatamente el motivo. La vibración suele ser un síntoma de la existencia de algún problema.
- Detenga el motor cuando abandone la posición de conducción; antes de desatascar la carcasa del recogedor o del sinfín, o el conducto de expulsión; y cuando realice reparaciones, ajustes o inspecciones.

- No haga funcionar el motor en un recinto cerrado a menos que lo haga solo para arrancarlo o para sacar o guardar el quitanieves en un edificio. Abra las puertas al exterior; los gases de escape son nocivos.
- Tenga sumo cuidado al desplazarse en pendientes.
- Nunca utilice la máquina sin protecciones adecuadas ni los demás dispositivos de protección en su sitio y operativos.
- No dirija la descarga de nieve hacia personas o zonas donde puedan causarse daños a la propiedad. Mantenga alejados a los niños y demás personas.
- No sobrecargue la capacidad de la máquina al intentar eliminar nieve a una velocidad excesiva.
- No desplace la máquina a gran velocidad en superficies resbaladizas. Mire hacia atrás y tenga cuidado cuando retroceda.
- Desconecte la alimentación del recogedor o sinfín cuando desplace o no utilice el producto.
- Utilice únicamente accesorios homologados por el fabricante de la máquina (por ejemplo, contrapesos de las ruedas, contrapesos o cabinas).
- Nunca haga funcionar la máquina si la visibilidad o la iluminación no son adecuadas. Pise siempre con cuidado y mantenga las asas aferradas con firmeza. Camine, en ningún caso corra.
- No toque el motor ni el silenciador si están calientes.

### **Limpieza del conducto de expulsión atascado**

- El contacto de las manos con el sinfín giratorio que hay dentro del conducto de expulsión es la causa más frecuente de lesiones relacionadas con los quitanieves. No utilice las manos en ningún caso para limpiar el conducto de descarga.
- Para limpiar el conducto:
  1. ¡APAGUE EL MOTOR!
  2. Espere 10 segundos para asegurarse de que el sinfín se ha detenido.
  3. Utilice siempre una herramienta de limpieza, no las manos.

### **Mantenimiento y almacenamiento**

- Compruebe a menudo que los pernos de seguridad y otros pernos estén bien apretados para asegurarse de que el equipo esté en condiciones de uso seguras.
- Nunca guarde una máquina con combustible en el depósito dentro de una habitación en la que haya fuentes de ignición como calderas de agua, estufas o una secadora para la ropa. Deje que el motor se enfríe antes de almacenar la máquina en un sitio cerrado.
- Consulte siempre el manual de instrucciones para obtener información importante si el quitanieves se va a almacenar durante un periodo prolongado.
- Mantenga o sustituya las etiquetas de seguridad si fuera necesario.

- Haga funcionar la máquina unos minutos después de quitar la nieve para evitar que el recogedor o el sinfín se congelen.
- Cuando limpie, repare o revise el quitanieves, detenga el motor y compruebe que el recogedor o el sinfín y todas las piezas móviles se hayan detenido. Desconecte el cable de la bujía y manténgalo alejado de ella para evitar que alguien ponga en marcha el motor de manera accidental.

## Instrucciones generales de seguridad

- Use el producto correctamente. Las lesiones o la muerte son un posible resultado de un uso incorrecto. Utilice el producto solo para las tareas indicadas en este manual. No utilice el producto para otras tareas.
- Respete las instrucciones de este manual. Respete los símbolos de seguridad y las instrucciones de seguridad. Si el operador no respeta las instrucciones y los símbolos, pueden producirse lesiones, daños materiales o la muerte.
- No se deshaga de este manual. Utilice las instrucciones para montar su producto, utilizarlo y mantenerlo en buen estado. Utilice las instrucciones para la correcta instalación de los complementos y accesorios. Utilice únicamente complementos y accesorios autorizados.
- No utilice un producto dañado. Respete el programa de mantenimiento. Realice solamente el trabajo de mantenimiento indicado en las instrucciones de este manual. Todos los demás trabajos de mantenimiento debe hacerlos un centro de servicio autorizado.
- Este manual no puede incluir todas las situaciones que pueden producirse cuando utilice el producto. Proceda con cuidado y utilice el sentido común. No utilice el producto ni realice el mantenimiento del producto si no está seguro de cuál es la situación. Hable con un experto en el producto, su distribuidor, un taller de servicio o centro de servicio autorizado para obtener información.
- Desconecte el cable de la bujía antes de montar el producto, almacenarlo o realizar tareas de mantenimiento.
- No utilice el producto si se ha modificado respecto de sus especificaciones iniciales. No cambie una parte del producto sin la autorización del fabricante. Utilice únicamente las piezas que están autorizadas por el fabricante. Las lesiones o la muerte son un posible resultado de un mantenimiento incorrecto.
- No inhale los vapores del motor. La inhalación a largo plazo de los gases de escape supone un riesgo para la salud.
- Nunca arranque el producto en interiores ni cerca de material inflamable. Los gases de escape están calientes y pueden contener una chispa que puede iniciar un incendio. Una circulación de aire insuficiente puede causar lesiones o la muerte por asfixia o inhalación de monóxido de carbono.

- Al utilizar este producto, el motor emite un campo electromagnético. El campo electromagnético puede provocar daños en implantes médicos. Consulte a su médico y al fabricante del implante médico antes de usar el producto.
- No deje que un niño maneje el producto. No permita que nadie maneje el producto sin conocer las instrucciones.
- Si una persona con discapacidad física o mental usa el producto, asegúrese de supervisarla en todo momento. Debe haber presente en todo momento una persona mayor de edad responsable.
- Cierre con llave el producto en un área a la que no puedan acceder las personas no autorizadas ni los niños.
- El producto puede proyectar objetos con fuerza y causar lesiones. Respete las instrucciones de seguridad para reducir el riesgo de lesiones o muerte.
- No deje desatendido el producto con el motor encendido.
- El operador del producto es el responsable si se produce un accidente.
- Antes y mientras camina hacia atrás, mire hacia atrás y al suelo para ver si hay niños, animales o cualquier otro riesgo que pueda hacerle caer.
- Asegúrese de que las piezas no estén dañadas antes de utilizar el producto.
- Asegúrese de que se encuentra a una distancia mínima de 15 m (50 pies) de otras personas o animales antes de utilizar el producto. Asegúrese de que cualquier persona que se encuentre cerca sabe que va a usar el producto.
- Consulte las leyes nacionales o locales. Pueden prohibir o limitar el funcionamiento del producto en circunstancias determinadas.

## Formación

- Lea, asegúrese de entender y siga todas las instrucciones que aparecen en la máquina y en el manual antes de utilizar la unidad. Debe conocer a fondo los controles y el uso correcto del equipo. Aprenda a detener la unidad y desconectar los controles con rapidez.
- No permita que los niños utilicen el equipo. No permita que adultos utilicen el equipo sin contar con los conocimientos necesarios.
- Mantenga a las personas, en especial niños pequeños, alejadas de la zona de funcionamiento.
- Tenga cuidado para no resbalar o caer, en especial cuando utiliza el quitanieves en marcha atrás.

## Instrucciones de seguridad para el funcionamiento

- No coloque manos ni pies cerca ni debajo de las piezas giratorias. Manténgase siempre alejado de la compuerta de descarga.

- Tenga sumo cuidado cuando trabaje o camine por entradas, paseos o caminos de grava. Manténgase alerta ante peligros ocultos o tráfico.
  - Si golpea un objeto extraño, detenga el motor, desconecte el cable de la bujía, desconecte el cable si el motor es eléctrico, inspeccione atentamente el producto en busca de daños y, si existen, repárelos antes de volver a poner en marcha y utilizar el producto.
  - Si el producto comenzase a vibrar anormalmente, detenga el motor y compruebe inmediatamente el motivo. La vibración suele ser un síntoma de la existencia de algún problema.
  - Detenga el motor cuando abandone la posición de conducción, antes de desatascar el alojamiento del sinfín o el deflector del conducto, y cuando realice reparaciones, ajustes o inspecciones.
  - Cuando limpie, repare o revise el producto, detenga el motor y compruebe que los sinfines y todas las piezas móviles se han detenido. Desconecte el cable de la bujía y manténgalo alejado de ella para evitar que alguien ponga en marcha el motor de manera accidental.
  - No haga funcionar el motor en un recinto cerrado a menos que lo haga solo para arrancarlo o para sacar o guardar el producto en un edificio. Abra las puertas al exterior; los gases de escape son nocivos.
  - Tenga sumo cuidado al desplazarse en pendientes.
  - Nunca utilice el producto sin protecciones adecuadas ni los demás dispositivos de protección en su sitio y operativos.
  - No dirija el deflector del conducto hacia personas o zonas donde puedan causarse daños materiales. Mantenga alejados a los niños y demás personas.
  - No sobrecargue la capacidad del producto al intentar eliminar nieve a una velocidad excesiva.
  - No desplace el producto a gran velocidad en superficies resbaladizas. Mire hacia atrás y tenga cuidado cuando retroceda.
  - Desconecte la alimentación de los sinfines cuando desplace o no utilice el producto.
  - Utilice únicamente accesorios homologados por el fabricante del producto (por ejemplo, los pesos de las ruedas, contrapesos o cabinas).
  - Nunca haga funcionar el producto si la visibilidad o la iluminación no son adecuadas. Pise siempre con cuidado y mantenga las asas aferradas con firmeza. Camine, en ningún caso corra.
  - No toque el motor ni el silenciador si están calientes.
- que pueda quedar atrapada entre las piezas móviles. Utilice calzado que facilite el desplazamiento por superficies resbalosas.
- Maneje el combustible con cuidado, es muy inflamable.
    - Utilice un recipiente para combustible homologado.
    - Nunca añada combustible a un motor en marcha o caliente.
    - Llene el depósito de combustible en el exterior y con mucho cuidado. Nunca llene el depósito en interiores.
    - Nunca llene recipientes dentro de un vehículo ni sobre una camioneta o un remolque con revestimientos plásticos. Antes de llenar los recipientes colóquelos en el suelo, alejados del vehículo.
    - Cuando resulte práctico, retire el equipo con motor de gasolina de la camioneta o el remolque y recargue el depósito en el suelo. Si tal cosa no es posible, recargue el equipo en el remolque con un recipiente portátil, en lugar de hacerlo con una boquilla de dispensador de gasolina.
    - Mantenga la boquilla en contacto permanente con el borde del depósito de combustible o la abertura del recipiente hasta terminar la recarga. No use los dispositivos de bloqueo de la boquilla del surtidor.
    - Vuelva a colocar el tapón de gasolina con firmeza y limpie los restos de combustible vertido.
    - Si se derrama gasolina en su ropa, cámbiese inmediatamente.
  - Utilice los cables prolongadores y enchufes especificados por el fabricante de las unidades con motores de tracción o de arranque eléctricos.
  - Ajuste la altura del alojamiento del sinfín de tal forma que quede cierta separación entre este y la superficie de grava o roca triturada.
  - Nunca intente realizar ajustes con el motor en marcha (excepto cuando lo recomiende específicamente el fabricante).
  - Utilice siempre gafas de seguridad o protección para los ojos durante el funcionamiento o al realizar ajustes o reparaciones, con el fin de proteger los ojos de los objetos extraños que puede despedir la máquina.

### Equipo de protección personal

Utilice siempre el equipo de protección personal adecuado cuando utilice el producto. Esto incluye, como mínimo, calzado robusto, protección ocular y protectores auriculares. El equipo de protección personal no elimina el riesgo de lesiones, pero reduce su efecto en caso de accidente.

- Utilice siempre gafas de seguridad o protección ocular cuando use el producto o realice tareas de mantenimiento o reparación.

### Seguridad en el área de trabajo

- Inspeccione detenidamente la zona donde va a utilizar el equipo y retire alfombrillas, trineos, tableros, cables y todo tipo de objetos.
- Desconecte todos los embragues y ponga el cambio en punto muerto antes de arrancar el motor.
- No utilice el producto sin llevar una indumentaria adecuada para el invierno. No utilice ropa holgada

- Utilice siempre una indumentaria apropiada para el invierno cuando trabaje con el producto.
- Utilice siempre botas de trabajo antideslizantes con refuerzos en los tobillos cuando trabaje con el producto.
- No lleve ropa suelta que pueda quedar atrapada en las piezas móviles.
- Utilice guantes protectores homologados si es necesario. Por ejemplo, al acoplar, revisar o limpiar la hoja.
- Utilice siempre protección auditiva homologada mientras utiliza el producto. La exposición al ruido durante un periodo de tiempo prolongado puede causar pérdida de audición.

## Dispositivos de seguridad en el producto

- Asegúrese de efectuar regularmente el mantenimiento del producto.
  - La vida útil del producto aumenta.
  - El riesgo de accidentes disminuye.

Deje que un concesionario autorizado o un centro de servicio autorizado examine regularmente el producto para realizar ajustes o reparaciones.

- No utilice un producto con equipo de protección dañado. Si el producto está dañado, hable con un centro de servicio autorizado.

## Silenciador

El silenciador mantiene al mínimo los niveles de ruido y aparta los gases de escape del operador.

No utilice el producto si el silenciador no está instalado o está defectuoso. Un silenciador defectuoso aumenta el nivel de ruido y el riesgo de incendio.



**ADVERTENCIA:** El silenciador se calienta mucho durante y después de su uso, y cuando el motor funciona a ralentí. Tenga cuidado cerca de materiales inflamables o gases para evitar incendios.

## Seguridad en el uso del combustible



**ADVERTENCIA:** Lea las siguientes instrucciones de advertencia antes de utilizar el producto.

- No arranque el producto si está manchado con combustible o aceite del motor. Retire el combustible/aceite no deseado y deje secar el producto.
- Si derrama combustible sobre la ropa, cámbiese inmediatamente.
- Evite el contacto con el combustible; puede provocarle lesiones. Si entra en contacto con el combustible, utilice agua y jabón para eliminar el combustible.

- No arranque el motor si el producto tiene una fuga. Examine frecuentemente si hay fugas en el motor.
- Tenga cuidado con el combustible. El combustible es inflamable, sus vapores son explosivos y puede provocar lesiones o la muerte.
- No inhale los vapores de combustible, ya que pueden causar lesiones. Asegúrese de que hay ventilación suficiente.
- No fume cerca del combustible o el motor.
- No coloque objetos calientes cerca del combustible o el motor.
- No agregue el combustible con el motor encendido.
- Asegúrese de que el motor esté frío antes de repostar.
- Antes de repostar, abra la tapa del depósito de combustible lentamente y deje salir el exceso de presión con cuidado.
- No añada combustible al motor en interiores. Una circulación de aire insuficiente puede causar lesiones o la muerte por asfixia o inhalación de monóxido de carbono.
- Apriete el tapón del depósito de combustible completamente. Si el tapón del depósito de combustible no se aprieta, existe riesgo de incendio.
- Antes de arrancar el producto, llévalo a 3 m (10 pies) de distancia como mínimo del punto en el que llenó el depósito.
- No llene el depósito de combustible por completo. El calor hace que el combustible se expanda. Deje espacio en la parte superior del depósito de combustible.

## Advertencia química



**ADVERTENCIA:** El tubo de escape del motor de este producto contiene sustancias químicas que pueden causar cáncer, defectos congénitos y otros daños en el sistema reproductor. Para obtener más información, visite [www.P65Warnings.ca.gov](http://www.P65Warnings.ca.gov).

## Instrucciones de seguridad para el mantenimiento



**ADVERTENCIA:** Lea las siguientes instrucciones de advertencia antes de utilizar el producto.

- Los gases de escape del motor contienen monóxido de carbono, que es un gas inodoro, tóxico y muy peligroso. No arranque el motor en interiores ni en espacios cerrados.
- Antes de realizar el mantenimiento del producto, detenga el motor y desconecte el cable de encendido de la bujía.
- Utilice guantes protectores cuando realice el mantenimiento de las hojas. Las hojas están muy afiladas y se pueden producir cortes con mucha facilidad.



- Los accesorios y modificaciones en el producto que no estén aprobados por el fabricante pueden causar daños graves o la muerte. No modifique el producto. Utilice siempre accesorios autorizados por el fabricante.
- Si el mantenimiento no se realiza correctamente y de forma regular, aumenta el riesgo de lesiones y daños en el producto.

- Realice únicamente las tareas de mantenimiento que se indican en este manual de usuario. Todos los demás trabajos de mantenimiento deben llevarse a cabo en un taller de servicio autorizado.
- Lleve el producto a un taller de servicio autorizado para realizar el mantenimiento de forma regular.
- Cambie las piezas dañadas, desgastadas o rotas.

---

## Montaje

---



**ADVERTENCIA:** Asegúrese de leer y comprender el capítulo sobre seguridad antes de montar el producto.

### Instalación del manillar

1. Quite los 4 pernos de brida M8 × 25 (A) de la caja.
2. Utilice los 4 pernos de brida M8 × 25 (A), los 4 separadores elásticos (B) y los 4 separadores planos (C).
3. Instale la parte inferior del manillar (D) en los 2 orificios situados a ambos lados de la caja. (Fig. 25)
4. Utilice los 3 pernos de bloqueo M8 × 50 del manillar (A), los 3 separadores (B), los 3 pomos del manillar (C) y las 3 contratueras (D).
5. Instale la parte superior del manillar con el panel de control (E) en la parte inferior del manillar. (Fig. 26)

### Montaje del deflector del conducto

1. Retire el disco del rotador (B) y los 6 pernos de brida hexagonales (D) de la caja.
2. Monte el disco del rotador (B) y el deflector del conducto (A) en la base del conducto con 3 topes (C).
3. Utilice 6 pernos de brida hexagonales (D) y 6 contratueras (E) para fijar los topes (C). (Fig. 27)

### Montaje del rotador del conducto

1. Monte la parte delantera del rotador del conducto.
2. Instale el casquillo de plástico (B) en la parte delantera del rotador del conducto.
3. Monte el rotador del conducto con 1 separador plano (A) y 1 pasador de horquilla (C). (Fig. 28)
4. Monte la parte trasera del rotador del conducto.
5. Utilice 1 contratuerca M8 (A), 1 pomo de bloqueo del manillar de plástico (B), 2 separadores curvos (C) y

1 nivel de tornillo (D) para montar el rotador del conducto.

6. Utilice 1 tuerca hexagonal M8 (E) para fijar el rotador del conducto (F) en los orificios del manillar. (Fig. 29)

### Montaje de la varilla de control de la velocidad de avance

1. Instale el extremo largo y curvado de la varilla de control de la velocidad de avance (A) en el panel de control y fíjelo con 1 muelle (B), 1 separador plano (C) y 1 chaveta hendida (D). (Fig. 30)
2. Tire hacia arriba de la placa de conexión del cambio (B) e instale el extremo corto y curvado de la varilla de control de la velocidad de avance (A). Fije la varilla de control de la velocidad de avance (A) con 1 separador plano (C) y 1 chaveta hendida (D). (Fig. 31)
3. Si es necesario, extienda la varilla de control de la velocidad de avance. Afloje las contratueras del tensor y gírelo. Apriete el tensor para situarlo en la posición original del ajuste de régimen adecuado. La posición original está marcada en las roscas. (Fig. 32)

### Montaje del sinfín y los cables de transmisión

1. Retire los 2 tornillos (B) de los cables (D).
2. Fije los 2 tornillos de los cables (B) en los orificios de las empuñaduras izquierda y derecha (A). (Fig. 33)
3. Fije los cables (D) a los tornillos (B).
4. Acople y bloquee el inserto roscado del cable izquierdo y derecho (D) y el tornillo del cable (B) hasta que la parte superior de la contratuerca de latón (C) quede alineada con la marca de las roscas (E).
5. Bloquee el cable con la contratuerca de latón (C).

---

## Funcionamiento

---



**ADVERTENCIA:** Antes de usar el producto, lea detenidamente el capítulo de seguridad y las instrucciones de montaje.

### Antes de arrancar el producto

- Asegúrese de que no haya personas ni animales en la zona de trabajo.

- Realice el mantenimiento diario. Consulte *Programa de mantenimiento en la página 412*.
- Asegúrese de que el cable de encendido está colocado correctamente en la bujía.
- Añada aceite o gasolina, si es necesario. Consulte *Llenado del motor con aceite en la página 410*.

## Llenado del motor con aceite



**PRECAUCIÓN:** No gire la varilla de nivel cuando compruebe el nivel de aceite. No llene por encima de la marca.

1. Quite el tapón del depósito de aceite y limpie la varilla de nivel. Consulte *Descripción del producto en la página 403* para conocer la ubicación de la varilla de nivel.
2. Añada aceite hasta alcanzar la marca superior de la varilla de nivel. Utilice la varilla de nivel para comprobar de forma periódica el nivel de aceite.
3. Vuelva a colocar el tapón del depósito de aceite.

## Repostaje de combustible

Si es posible, utilice de gasolina de bajas emisiones/alquilatos. Si no puede utilizar gasolina de bajas emisiones/alquilatos, utilice una gasolina sin plomo de buena calidad. Fuera de Norteamérica, utilice gasolina con un octanaje de 90 RON o más (87 (R+M)/2 en Norteamérica) y con un máximo de 10 % de etanol (E10).



**PRECAUCIÓN:** No utilice gasolina con un octanaje inferior a 90 RON fuera de Norteamérica (87 (R+M)/2 en Norteamérica). Esto puede provocar daños en el producto.

1. Abra el tapón del depósito de combustible lentamente para liberar la presión.
2. Llene lentamente con una lata de combustible. Si derrama combustible, límpielo con un paño y deje que el combustible restante se seque.
3. Limpie la zona de alrededor del tapón del depósito de combustible.
4. Apriete el tapón del depósito de combustible completamente. Si el tapón del depósito de combustible no se aprieta, existe riesgo de incendio.
5. Antes de arrancarlo, lleve el producto a 3 m (10 pies) de distancia como mínimo del punto en el que llenó el depósito.

## Ajuste del deflector del conducto

La dirección en la que se expulsa la nieve se ajusta mediante el control del rotador del conducto instalado en el lado izquierdo del manillar.

1. Gire el control del rotador del conducto para establecer la dirección hacia la que se expulsará la nieve.

2. Gire el control del rotador del conducto hacia la derecha para expulsar la nieve hacia la derecha.
3. Gire el control del rotador del conducto hacia la izquierda para expulsar la nieve hacia la izquierda. (Fig. 34)
4. Suba o baje la inclinación del deflector para determinar la distancia a la que se expulsará la nieve. (Fig. 35)

## Arranque del motor

1. Ponga la transmisión en punto muerto. Coloque la palanca de control de la velocidad de avance en la primera posición.
2. Sitúe el interruptor de combustible en la posición ON. (Fig. 36)
3. Coloque el estrangulador en la posición CLOSE (cerrado). (Fig. 37)
4. Coloque la llave de encendido/apagado en la posición RUN (funcionamiento). (Fig. 38)
5. Presione el cebador 1-3 veces para arrancar la bomba de cebado. Utilice la bomba de cebado para el arranque en frío a bajas temperaturas. (Fig. 39)
6. Tire de la empuñadura de la cuerda de arranque (Fig. 40)



**PRECAUCIÓN:** No suelte rápidamente la empuñadura de la cuerda de arranque. Devuélvala a la posición inicial lentamente.

**Nota:** Si la cuerda de arranque se ha congelado, saque lentamente toda la cuerda que sea posible y suelte la empuñadura de la cuerda de arranque. Si el motor no arranca, repita el procedimiento o utilice el mecanismo de arranque eléctrico.

7. Haga funcionar el motor 30-40 segundos a ralentí antes de trabajar con el quitanieves.
8. Cuando el motor esté caliente, mueva lentamente el estrangulador a la posición OPEN (abierto). (Fig. 41)

## Arranque eléctrico del motor



**ADVERTENCIA:** El producto cuenta con un mecanismo de arranque eléctrico de 230 V CA. No utilice el mecanismo de arranque eléctrico si la instalación de su casa no cuenta con toma a tierra y no es de 230 V CA. Podrían producirse lesiones personales graves o daños en el producto. El mecanismo de arranque eléctrico está equipado con un enchufe de alimentación de tres hilos y está diseñado para funcionar con una corriente de 230 V CA. Asegúrese de que la instalación de su casa cuente con toma a tierra y sea de 230 V CA. Si tiene dudas, consulte a un electricista cualificado.

---

**Nota:** Utilice un cable alargador que pueda usarse en exteriores, con un cable cuyo tamaño no sea inferior a 16 AWG (1,5 mm<sup>2</sup>) y que no tenga más de 15 m (50 ft) de largo.

---

1. Ponga la transmisión en punto muerto. Coloque la palanca de control de la velocidad de avance en la primera posición.
2. Sitúe el interruptor de combustible en la posición ON. (Fig. 36)
3. Coloque el estrangulador en la posición CLOSE (cerrado). (Fig. 37)
4. Coloque la llave de encendido/apagado en la posición RUN (funcionamiento). (Fig. 38)
5. Presione el cebador 1-3 veces para arrancar la bomba de cebado. Utilice la bomba de cebado para el arranque en frío a bajas temperaturas. (Fig. 39)
6. Conecte el producto a la alimentación. (Fig. 42)
7. Mantenga pulsado el botón de arranque de la caja de control durante 5 segundos. (Fig. 43)
8. Si el motor no arranca, espere 5 segundos y, a continuación, vuelva a pulsar el botón de arranque.



**PRECAUCIÓN:** No intente arrancar el motor más de 10 veces. Una vez que lo haya intentado 10 veces, espere 40 minutos para intentarlo de nuevo.

9. Desconecte el cable de alimentación del producto cuando arranque el motor.
10. Haga funcionar el motor 30-40 segundos a ralentí antes de trabajar con el quitanieves.
11. Cuando el motor esté caliente, mueva lentamente el estrangulador a la posición OPEN (abierto). (Fig. 41)

## Manejo del producto

1. Apriete el acoplamiento del sinfín hacia el manillar para acoplar el sinfín y poner en marcha el quitanieves. (Fig. 44)
2. Mueva la palanca de control de la velocidad de avance hacia la izquierda para hacer funcionar el producto hacia delante. Mueva la palanca de control de la velocidad de avance hacia la derecha para hacer funcionar el producto hacia atrás. (Fig. 45)
3. Accione el acoplamiento de la transmisión con la palanca derecha.

4. Apriete el acoplamiento de la transmisión hacia el manillar para acoplar las ruedas motrices. El producto se moverá hacia delante o hacia atrás dependiendo de la posición de la palanca de control de la velocidad de avance. (Fig. 46)

## Parada del producto

---

**Nota:** Para apagar el motor en caso de emergencia, tire de la llave de encendido/apagado.

---

1. Suelte el acoplamiento de la transmisión para detener las ruedas motrices.
2. Suelte el acoplamiento del sinfín para desacoplar el sinfín y parar el quitanieves. (Fig. 47)
3. Sitúe el interruptor de combustible en la posición OFF. (Fig. 48)
4. Tire de la llave de encendido/apagado. (Fig. 49)

## Para obtener un buen resultado

- Haga funcionar siempre el motor a aceleración máxima o casi a aceleración máxima.
- Adapte siempre la velocidad del producto a las condiciones de la nieve y ajuste la velocidad con la palanca de control de velocidad de la transmisión. Asegúrese de que el producto expulsa la nieve de manera uniforme.
- Es más fácil y eficaz retirar la nieve justo después de nevar.
- Siempre que sea posible, arroje la nieve en la dirección del viento.
- En terrenos llanos, como carreteras de asfalto, separe las planchas protectoras a un máximo de 5-6 mm (0,2-0,25 in) del suelo.
- El faldón rascador es reversible. Cuando se haya desgastado prácticamente hasta el borde del alojamiento, puede darle la vuelta. Cambie el faldón rascador si está dañado o si se ha desgastado por ambos lados.
- No envíe el deflector del conducto si está obstruido.
- Si el producto no se mueve hacia delante debido a circunstancias imprevistas, desactive el acoplamiento de la transmisión de inmediato o gire la llave de encendido/apagado a la posición OFF (apagado).

# Mantenimiento

## Programa de mantenimiento

Mantenimiento	Diario	20 horas	50 horas	100 horas
Asegúrese de que las tuercas y los tornillos están bien apretados	X			
Compruebe el nivel de aceite del motor	X			
Cambie el aceite <sup>145</sup>		X	X	X
Asegúrese de que no haya fugas de combustible o aceite	X			
Retire cualquier obstrucción u objeto extraño del sinfín	X			
Compruebe la presión de los neumáticos <sup>146</sup>			X	
Revise y cambie la bujía <sup>147</sup>				X

**Nota:** No es necesario añadir grasa ni llevar a cabo otros trabajos de mantenimiento en la caja de cambios.

### Para realizar una inspección general

- Asegúrese de que todas las tuercas y los tornillos del producto estén apretados correctamente.

### Para realizar una comprobación del nivel de aceite



**PRECAUCIÓN:** Un nivel de aceite demasiado bajo puede causar daños en el motor. Compruebe el nivel de aceite antes de arrancar el producto.

- Coloque el producto sobre una superficie nivelada.
- Retire el tapón del depósito de aceite con la varilla de nivel acoplada.
- Limpie el aceite de la varilla de nivel de aceite.

- Introduzca la varilla de nivel totalmente en el depósito de aceite para obtener un resultado correcto del nivel de aceite.
- Quite la varilla de nivel.
- Compruebe el nivel de aceite que indica la varilla de nivel.
- Si el nivel de aceite es bajo, llene con aceite de motor y vuelva a comprobar el nivel de aceite.

### Sustitución del aceite del motor

- Mantenga el motor en marcha durante unos minutos para calentar el aceite. El aceite templado fluye mejor y transporta menos contaminantes.



**ADVERTENCIA:** El aceite del motor está caliente. Evite el contacto de la piel con el aceite de motor usado.

- Coloque el producto sobre una superficie nivelada.
- Haga funcionar el motor hasta que se haya agotado todo el combustible.
- Retire la llave de contacto.

<sup>145</sup> Cambie el aceite después de las primeras 20 h, 50 h, 100 h y luego cada 100 h.

<sup>146</sup> Consulte los datos técnicos para conocer la presión correcta de los neumáticos.

<sup>147</sup> Compruebe y limpie la bujía antes de su uso cada año.

- Coloque un recipiente debajo del tapón de vaciado de aceite.
- Quite el tapón de vaciado de aceite, incline el producto hacia atrás y vierta el aceite usado en el recipiente. (Fig. 50)
- Coloque de nuevo el producto en la posición de funcionamiento.
- Coloque el tapón de vaciado de aceite y apriételo con la mano.
- Llene el motor con aceite; consulte *Llenado del motor con aceite en la página 410*.

## Para examinar la bujía



**PRECAUCIÓN:** Utilice siempre el tipo de bujía recomendado. El uso de un tipo de bujía incorrecto puede causar averías en el producto.

- Examine la bujía si el motor tiene baja potencia, no es fácil de arrancar o no funciona correctamente al régimen de ralentí.
- Para reducir el riesgo de material no deseado en los electrodos de la bujía, siga estas instrucciones:
  - Asegúrese de que el régimen de ralentí está bien ajustado.
  - Asegúrese de que el tipo de combustible sea correcto.
  - Asegúrese de que el filtro de aire esté limpio.
- Si la bujía está sucia, límpiela y asegúrese de que la distancia entre los electrodos sea la correcta, consulte *Datos técnicos en la página 417*. (Fig. 51)
- Sustituya la bujía si fuese necesario.

## Inspección de los sinfines y el faldón rascador

- Antes de cada uso, inspeccione si los sinfines y el faldón rascador presentan desgaste.
- Si el borde del faldón rascador está desgastado, dele la vuelta. Si el faldón rascador está dañado o tiene ambos lados desgastados, cámbielo.
- Si los bordes de los sinfines están desgastados, póngase en contacto con un centro de servicio autorizado para sustituirlos.

## Ajuste de las planchas protectoras

Las planchas protectoras evitan daños en la parte inferior del quitanieves. Ajuste las planchas protectoras (A) cuando la contratuerca (B) esté suelta, o cuando la plancha protectora no esté a la distancia correcta del suelo. En una instalación estándar, no es necesario realizar ajustes.

- Afloje la contratuerca (B) con una llave fija de 13 mm (½ pulg.).
- Mueva las planchas protectoras (A) hacia arriba o hacia abajo.

- En terrenos llanos, establezca una distancia entre el faldón rascador y el suelo de 5-6 mm (0,2-0,25 pulg.).
- En terrenos irregulares, coloque las planchas protectoras (A) en una posición en la que el faldón rascador pase por encima del suelo.



**ADVERTENCIA:** Evite la entrada de piedras y grava en el producto. Los objetos expulsados a gran velocidad pueden causar lesiones.

- Apriete la contratuerca (B). (Fig. 52)

## Sustitución del pasador de seguridad

El pasador de seguridad protege el producto contra posibles daños. Se rompe si un objeto extraño entra en las partes móviles.

- Si el pasador de seguridad se rompe, se para el motor.
- Coloque un pasador de seguridad (A) y un resorte de sujeción (B) nuevos. (Fig. 53)

## Comprobación de los neumáticos

- Para evitar desperfectos en la goma, evite el contacto de los neumáticos con combustible, aceite y productos químicos.
- Evite el contacto de los neumáticos con tocones, piedras, surcos, objetos afilados y cualquier otro elemento que pueda dañarlos.
- Mantenga los neumáticos a la presión adecuada; consulte *Datos técnicos en la página 417*.

## Despejar un deflector del conducto de expulsión obstruido

No despeje el deflector del conducto de expulsión hasta que haya efectuado las siguientes acciones.

- Desactive el acoplamiento del sinfín y de la transmisión al mismo tiempo.
- Espere 10 segundos para asegurarse de que los sinfines se han detenido.
- Paro el producto.
- Utilice la herramienta para limpieza (de al menos 37 cm (15 pulg.) de longitud incluida en algunos modelos) para despejar la obstrucción.



**ADVERTENCIA:** No ponga las manos en el deflector del conducto de expulsión ni en el interior de la tolva del sinfín.

## Limpieza del producto

- Limpie las piezas de plástico con un paño limpio y seco.
- No utilice un equipo de limpieza a alta presión para limpiar el producto.
- No vierta agua directamente sobre el motor.

- Use un cepillo para retirar las hojas, la hierba y la suciedad.

## Resolución de problemas

### Resolución de problemas

Problema	Causa posible	Solución
El producto no arranca	La llave de encendido de seguridad no está insertada.	Introduzca la llave de encendido de seguridad.
	El producto no tiene combustible.	Llene el depósito de combustible con gasolina nueva y limpia.
	La llave de encendido/apagado está en posición OFF.	Coloque la llave de encendido/apagado en la posición ON.
	El estrangulador se encuentra desactivado (cerrado).	Active el estrangulador (posición FULL [máximo] u OPEN [abierto]).
	No se ha presionado el cebador.	Presione el cebador.
	El motor está ahogado.	Espera unos minutos antes de volver a arrancar y no presione el cebador.  Ponga en marcha el motor con la aceleración al máximo y el estrangulador desactivado (posición CLOSE [cerrado]).
	El cable de la bujía no está conectado.	Conecte el cable a la bujía.
	La bujía está defectuosa.	Cambie la bujía.
	Hay agua en el combustible o el combustible es demasiado antiguo.	Vacíe el depósito de combustible y el carburador. Llene el depósito de combustible con gasolina nueva y limpia.
	Hay vapor en la tubería de combustible.	Asegúrese de que la tubería de combustible se encuentra totalmente por debajo de la salida del depósito de combustible. La tubería de combustible debe discurrir hacia abajo desde el depósito de combustible hasta el carburador.
	Otras causas.	Revise detenidamente los procedimientos de arranque explicados en este manual.
El interruptor de combustible (si dispone de ello) está cerrado (apagado).	Abra (active) el interruptor de combustible.	
El acelerador está en la posición STOP (parado).	Ponga el acelerador en la posición FAST (alta velocidad).	

<b>Problema</b>	<b>Causa posible</b>	<b>Solución</b>
Potencia reducida	El cable de la bujía no está conectado.	Conecte el cable a la bujía.
	El producto expulsa mucha nieve.	Reduzca la velocidad y la anchura de la hilera.
	El tapón del depósito de combustible está cubierto de hielo o nieve.	Retire el hielo y la nieve del tapón del depósito de combustible y de alrededor de él.
	El silenciador está sucio u obstruido.	Limpié o sustituya el silenciador.
	Longitud del cable incorrecta.	Ajuste el cable.
	El silenciador está obstruido.	Asegúrese de que el motor esté frío. Despeje la obstrucción.
	La toma de aire del carburador está obstruida.	Asegúrese de que el motor esté frío. Despeje la obstrucción.
El motor funciona de forma irregular cuando está a ralentí o a un régimen normal de funcionamiento	El estrangulador se encuentra activado (posición FULL [máximo] u OPEN [abierto]).	Desactive el estrangulador (posición CLOSE [cerrado]).
	La tubería de combustible está obstruida.	Limpié la tubería de combustible.
	Hay agua en el combustible o el combustible es demasiado antiguo.	Vacíe el depósito de combustible y el carburador. Llene el depósito de combustible con gasolina nueva y limpia.
	Es necesario cambiar el carburador.	Contacte con un centro de servicio autorizado.
	La correa se ha extendido.	Cambie la correa trapezoidal del sinfín.
Exceso de vibración o movimiento en el manillar	Hay piezas flojas. Los sinfines están dañados.	Apriete todas las conexiones. Cambie las piezas dañadas. Si la vibración persiste, póngase en contacto con un centro de servicio autorizado.
	El manillar no está bien colocado.	Asegúrese de que el manillar esté bien fijado en su posición.
	Las tuercas de la palanca de ajuste están flojas.	Apriete las tuercas hasta que el manillar dé sensación de seguridad.
Cuesta trabajo tirar de la empuñadura de la cuerda de arranque	La empuñadura de la cuerda de arranque está congelada.	Saque lentamente toda la cuerda que sea posible y suelte la empuñadura de la cuerda de arranque. Si el motor no arranca, repita el procedimiento o utilice el mecanismo de arranque eléctrico.
	La cuerda interfiere en los componentes.	La cuerda de arranque no debe entrar en contacto con ningún cable o manguera.

Problema	Causa posible	Solución
Pérdida de tracción/velocidad baja de la transmisión	La correa resbala.	Ajuste el cable. Ajuste la correa.
	La correa está desgastada.	Revise/cambie la correa.
No se expulsa nieve o se expulsa lentamente	La correa se sale de la polea.	Revise/reinstale la correa.
	El deflector del conducto está obstruido.	Despeje el deflector del conducto.
	Los sinfines están obstruidos por objetos extraños.	Retire los residuos o el objeto extraño de los sinfines.
	El pasador de seguridad está roto.	Cambie el pasador de seguridad roto.
	Se ha acumulado demasiado hielo y nieve entre los componentes de las orugas.	Retire el hielo y la nieve acumulados entre los componentes de las orugas.
	La rueda motriz de fricción está desgastada.	Contacte con un centro de servicio autorizado.
Error de rotación del sinfín al soltar la empuñadura	La correa de transmisión no está alineada.	Ajuste la correa de transmisión.
	El deflector de descarga no está alineado.	Ajuste el deflector de descarga.
Las luces no están encendidas (si dispone de ello)	El motor no está en marcha.	Arranque el motor.
	El cable está mal conectado.	Compruebe las conexiones del cable del motor y las luces.
	El LED está fundido.	Cambie el módulo de luz LED. No es posible cambiar LED individuales.
El rotador del conducto se mueve con dificultad	Hay suciedad en el mecanismo del rotador del conducto.	Limpie las piezas internas del mecanismo del rotador del conducto.
	Los cables están doblados o dañados.	Compruebe que los cables no estén doblados. Cambie los cables si están dañados.
El producto se desvía a un lado	La presión de los neumáticos es desigual.	Ajuste la presión de los neumáticos y llene los neumáticos.
	El producto se mueve con una sola rueda.	Inspeccione el pasador de bloqueo de las ruedas.
	Ajuste irregular del trineo.	Ajuste las planchas protectoras y el trineo.
	Ajuste irregular de las planchas protectoras.	Ajuste las planchas protectoras y el trineo.

## Transporte, almacenamiento y eliminación

### Transporte y almacenamiento

- Para el transporte y almacenamiento del producto y del combustible, asegúrese de que no haya fugas ni humos. Las chispas o llamas abiertas, por ejemplo, de dispositivos eléctricos o calderas, pueden producir un incendio.

- Use siempre recipientes homologados para el transporte y almacenamiento de combustible.
- Vacíe el depósito de combustible antes de poner el producto en almacenamiento durante un largo periodo de tiempo.
- Si la taza de combustible del carburador cuenta con un tapón de vaciado, vacíe el combustible del



- carburador antes de almacenar el producto durante un periodo prolongado.
- Asegure el producto durante el transporte para evitar daños y accidentes.
- Mantenga el producto en un área cerrada para impedir el acceso a niños o personas no autorizadas.
- Mantenga el producto en un lugar seco y al abrigo de las heladas.
- Deseche todos los productos químicos, como el aceite de motor o el combustible, en un centro de servicio o una ubicación adecuada para su eliminación.
- Deseche el producto en una ubicación adecuada para su eliminación o envíelo a Husqvarna para su eliminación.

## Eliminación

- Respete los requisitos locales y las normas aplicables.

---

## Datos técnicos

---

### Datos técnicos

	<b>ST 124</b>
<b>Dimensiones</b>	
Peso con depósitos vacíos, kg	76
Presión máx. de los neumáticos en funcionamiento, PSI	20
Altura de entrada, cm	53,3
Anchura de trabajo, cm	61
<b>Motor</b>	
Marca	Husqvarna
Potencia nominal del motor, kW	4,3
Cilindrada, cc	212
Tipo de combustible	Regular sin plomo (máximo de 10 % de etanol)
Capacidad de combustible, gal/l	0,58/2,2
Tipo de aceite (API SJ-SN)	SAE 5W30 (bajo 0 °C (32 °F)).
Capacidad de aceite, fl. oz./l	20/0,6
<b>Sistema eléctrico</b>	
Bujía	F7RTC
Distancia entre los electrodos de la bujía (pulg./mm)	0,027-0,031/0,7-0,8
<b>Emisiones de ruido</b> <sup>148</sup>	
Nivel de potencia acústica medida, dB(A)	100
Nivel de potencia acústica garantizado L <sub>WA</sub> dB(A)	102

<sup>148</sup> Emisiones sonoras en el entorno medidas como potencia acústica (L<sub>WA</sub>) según las directivas 2000/14/CE y 2005/88/CE. Los datos referidos de las emisiones sonoras tienen una dispersión estadística habitual (desviación típica) de 1,5 dB(A). Incertidumbre = 1,5 dB(A)

	<b>ST 124</b>
<b>Niveles acústicos</b> <sup>149</sup>	
Nivel de presión sonora medida en el oído del operador, $L_{PA}$ dB(A)	86
<b>Niveles de vibración, <math>a_{hveq}</math></b> <sup>150</sup>	
Nivel de vibración en el manillar, izquierda/derecha	4,15/4,08

<sup>149</sup> Nivel de presión sonora conforme a la norma EN ISO 11201. Los datos referidos del nivel de presión sonora tienen una dispersión estadística habitual (desviación típica) de 1,5 dB (A). Incertidumbre = 1,5 dB(A)

<sup>150</sup> Nivel de vibración según la norma ISO 8437-4, Anexo B. Incertidumbre = 1,5 m/s<sup>2</sup>

---

## Declaración de conformidad CE

---

### CONTENIDO DE LA DECLARACIÓN DE CONFORMIDAD CE

Nosotros, Husqvarna, SE-561 82 Huskvarna, SUECIA, declaramos bajo nuestra exclusiva responsabilidad que el producto representado:

Descripción	Quitanieves
Marca	Husqvarna
Plataforma/tipo/modelo	ST 124
Lote	Número de serie a partir del 2020 en adelante

Cumple las siguientes directivas y normas de la UE:

Directiva/Norma	Descripción
2006/42/CE	"relativa a las máquinas"
2014/30/UE	"relativa a la compatibilidad electromagnética"
2000/14/CE; 2005/88/CE	"relativa al ruido en exteriores"
2011/65/UE	"restricciones a la utilización de determinadas sustancias peligrosas"

Las normas armonizadas o especificaciones técnicas aplicadas son las siguientes: EN ISO 12100:2010, EN ISO 14982:2009, ISO 8437-1:2019, ISO 8437-2:2019, ISO 8437-4:2019, ISO 3744:1995, EN 1032:2003+A1:2008, EN 50581:2012

De acuerdo con la directiva 2000/14/EC y 2005/88/EC, Anexo V, los valores de sonido declarados se indican en el capítulo Datos técnicos de este manual y en la declaración de conformidad CE firmada.

El quitanieves suministrado concuerda con el ejemplar sometido a examen.

Para Husqvarna AB, SE-561 82 Huskvarna (SUECIA),  
07/02/2020



Claes Losdal

Persona responsable de compilar las fichas técnicas establecidas en la UE

---

## Innehåll

---

Introduktion.....	420	Felsökning.....	430
Säkerhet.....	421	Transport, förvaring och kassering.....	432
Montering.....	425	Tekniska data.....	432
Drift.....	426	EG-försäkran om överensstämmelse.....	434
Underhåll.....	428		

---

## Introduktion

---

### Produktöversikt

(Fig. 1)

1. Aktivering av spiraldel
2. Kontrollreglage för drivhastighet
3. Reglagepanel
4. Matarskruvens kabel
5. Styrning för utkastets rotator
6. Utkastavledare
7. Rensningsverktyg
8. Inmatningshus
9. Spiraldelar
10. Hasplåt
11. Däck
12. Oljepåfyllning
13. Motor
14. Undre handtag
15. Styrstång för drivhastighet
16. Drivningskabel
17. Startsnörets handtag
18. Drivkoppling
19. Handtagsgrepp
20. Primer
21. Choke
22. Bränslereglage
23. På/av-nyckel
24. Bruksanvisning

### Produktbeskrivning

Produkten är en snöslunga som används för att ta bort snö från marken.

### Avsedd användning

Den här produkten kan användas för att ta bort snö från fält, vägar, gångvägar och garageuppfarter. Använd den inte i sluttningar som är brantare än 15°. Använd inte produkten i områden där det finns mycket skräp, smuts och utskjutande stenar.

### Symbols on the product

---

**Notera:** If the decals on the product are damaged, contact the distributor to replace them.

---

- (Fig. 2) Warning.
- (Fig. 3) Read the operator's manual.
- (Fig. 4)
- (Fig. 5) Hot surface.
- (Fig. 6) Risk of fire.
- (Fig. 7) Choke.
- (Fig. 8) Pull starter rope handle.
- (Fig. 9) Do not breathe in the exhaust fumes from the engine.
- (Fig. 10) Do not put any part of the body into the chute deflector or the auger housing when the augers rotate.
- (Fig. 11) Stop the engine before you remove snow from the chute deflector. Use the clean-out tool to remove snow, do not do it by hand.
- (Fig. 12)
- (Fig. 11) Keep hands away from the chute deflector.
- (Fig. 13) Objects can be ejected from the product.
- (Fig. 14) Keep bystanders away from the product when operating.
- (Fig. 15) Remove key before maintenance.
- (Fig. 16) Push in the on/off key to the RUN position.
- (Fig. 17) Turn the fuel switch to the ON position.
- (Fig. 18) Push the primer.
- (Fig. 19) Risk of falling.

- (Fig. 20) Move slowly rearward.
- (Fig. 21) Use approved protective gloves.
- (Fig. 22) Use a protective helmet. Use approved hearing protection. Use approved eye protection.
- (Fig. 23) Noise emissions to the environment according to European Directive 2000/14/EC and New South Wales legislation "Protection of the Environment Operations (Noise Control) Regulation 2017". Noise emission data can be found on the machine label and in the Technical data chapter.
- (Fig. 24) European machinery directive for safety.

**Notera:** Other symbols/decals on the product refer to certification requirements for some markets.

## Euro V-utsläpp



**WARNING:** Manipulering av motorn upphäver EG-typgodkännandet för den här produkten.

## Säkerhet

### Säkerhetsdefinitioner

Definitionerna nedan beskriver allvarlighetsgraden för varje signalord.



**WARNING:** Personskador.



**OBSERVERA:** Skador på produkten.

**Notera:** Denna information gör produkten lättare att använda.

### Säkra användningsrutiner för snöslungor som styrs av en gående person

#### Allmänt

Denna maskin kan skära av händer och fötter samt slunga iväg föremål. Om följande säkerhetsåtgärder inte följs kan det leda till allvarliga personskador.

#### Utbildning

- Läs, förstå och följ alla instruktioner på maskinen och i bruksanvisningen innan denna produkt används. Se till att ha fullständiga kunskaper om kontrollerna och användning av maskinen. Känn till

## Tillverkare

Husqvarna AB

Drottninggatan 2, SE-561 82 Huskvarna

## Produktansvar

Enligt lagstiftningen för produktansvar ansvarar vi inte för skador som vår produkt orsakar om:

- produkten repareras felaktigt
- produkten repareras med delar som inte kommer från tillverkaren eller inte har godkänts av tillverkaren
- produkten har ett tillbehör som inte kommer från tillverkaren eller inte har godkänts av tillverkaren
- produkten inte repareras vid ett godkänt servicecenter eller av en godkänd person.

hur maskinen stannas och hur kontrollerna kopplas från snabbt.

- Låt aldrig barn använda maskinen. Låt aldrig vuxna använda maskinen utan att de fått noggranna instruktioner.
- Håll personer borta från användningsområdet, särskilt små barn.
- Var försiktig för att undvika att halka eller ramla, speciellt när maskinen körs bakåt.

#### Förberedelser

- Kontrollera noga området där maskinen ska användas och ta bort alla dörmattor, kälkar, brädor, kablar och andra främmande föremål.
- Koppla från alla kopplingar och ställ växeln i neutralläge innan motorn startas.
- Använd inte maskinen utan att ha på dig lämpliga vinterplagg. Undvik att ha löst hängande kläder som kan fastna i rörliga delar. Använd skor som ger bra grepp på hala ytor.
- Bär alltid skyddsglasögon eller ögonskydd under användning eller när justeringar eller reparationer utförs för att skydda ögonen för främmande föremål som kan kastas från maskinen.
- Hantera drivmedel försiktigt, det är mycket brandfarligt.
  - Använd en godkänd bränsledunk.
  - Fyll aldrig på drivmedel när motorn är igång eller varm.
  - Fyll försiktigt på bränsletanken utomhus. Fyll aldrig på bränsletanken inomhus.

- Fyll aldrig på behållare inne i ett fordon eller på en lastbil eller på en släpvagn med plastbeklädnad. Placera alltid behållare på marken, borta från ditt fordon innan påfyllning.
- När det är praktiskt tillämpligt, tag bort gasdrivna produkter från lastbilen eller släpvagnen och fyll på drivmedel på marken. Om detta inte är möjligt, fyll på drivmedel till sådana produkter med en bärbar behållare, i stället för från ett tankningsmunstycke.
- Håll alltid munstycket i kontakt med bränsletankens kant eller behållarens öppning, tills tankningen är klar. Använd inte en munstycksöppningsutrustning.
- Sätt tillbaka bränslelocket ordentligt och torka upp utspillt bränsle.
- Byt omedelbart kläder om bränsle har spillts ut på dem.
- Använd förlängningssladdar och skarvdon som är godkända av tillverkaren för alla enheter med elektriska startmotorer.
- Justera uppsamlingshusets höjd för att rensa grus- eller stenytor.
- Försök aldrig att göra justeringar när motorn är igång (utom när detta är speciellt rekommenderat av tillverkaren).

### Drift

- Sätt inte händer eller fötter intill eller under roterande delar. Håll dig alltid borta från utkastöppningen.
- Var extra försiktig vid användning på eller vid korsande av grusvägar eller gångvägar. Var uppmärksam på dolda faror eller vid användning nära allmänna vägar.
- Om du kör på ett främmande föremål ska du stoppa motorn, ta loss kabeln från tändstiftet, koppla loss sladden på eldrivna motorer, kontrollera snöslungan noga så att den inte är skadad och reparera den innan den startas igen och används.
- Om maskinen börjar vibrera onormalt ska du stoppa motorn och omedelbart fastställa orsaken. Vibration är normalt ett tecken på att något är fel.
- Stoppa alltid motorn när du lämnar arbetsläget, innan uppsamlaren/fläkthjulshuset eller utkastarröret rengörs, och när reparationer, justeringar eller kontroller utförs.
- Kör inte motorn inomhus, utom när motorn startas och vid transport av snöslungan in i eller ut från byggnaden. Öppna ytterdörrarna; avgaser är farliga.
- Var extra försiktig vid användning i sluttningar.
- Använd aldrig maskinen utan riktiga skydd och andra säkerhetsdetaljer på plats och fungerande.
- Rikta aldrig utkast mot personer eller områden där egendom kan skadas. Håll barn och andra borta.
- Överbelasta inte maskinens kapacitet genom att försöka röja snö för fort.
- Använd inte snöslungan med hög fart på hala underlag. Titta bakåt och var försiktig vid bakåtkörning.

### Rensa ett igensatt utkastarrör

- Handkontakt med det roterande fläkthjulet i utkastarröret är den vanligaste orsaken till skador i samband med snöslungor. Rengör aldrig utkastet med händerna.
- Rengöring av utkastet:
  1. STÅNG AV MOTORN!
  2. Vänta tio sekunder för att säkerställa att fläkthjulet har slutat rotera.
  3. Använd alltid ett rent rensningsverktyg. Använd inte händerna.

### Underhåll och förvaring

- Kontrollera regelbundet att skärbultar och andra bultar är ordentligt åtdragna så att utrustningen fungerar säkert.
- Förvara aldrig maskinen med bränsle i bränsletanken i en byggnad där det finns antändningskällor, t.ex. varmvattenberedare, värmeelement eller klädtorkar. Låt motorn kallna före förvaring i ett slutet utrymme.
- Se alltid instruktionsboken för viktig information om snöslungan ska förvaras under en längre tid.
- Underhåll eller byt ut säkerhetsdekaler vid behov.
- Kör maskinen i några minuter efter snöröjning för att förhindra att uppsamlaren/fläkthjulet fryser.
- Vid rengöring, reparation eller kontroll av snöslungan ska du stoppa motorn och kontrollera att uppsamlaren/fläkthjulet och alla rörliga delar har stannat. Koppla ur tändstiftskabeln och håll den på avstånd från stiftet för att förhindra att någon startar motorn oavsiktligt.

### Allmänna säkerhetsanvisningar

- Använd produkten på rätt sätt. Skador eller dödsfall är ett möjligt resultat av felaktig användning. Använd endast produkten för arbetsuppgifterna som finns i denna bruksanvisning. Använd inte produkten till andra uppgifter.
- Följ instruktionerna i denna bruksanvisning. Följ säkerhetssymbolerna och säkerhetsinstruktionerna. Om användaren inte följer instruktionerna och symbolerna är skador eller dödsfall ett möjligt resultat.
- Spara den här bruksanvisningen. Använd instruktionerna för att sätta ihop, använda och förvara din produkt i gott skick. Använd instruktionerna för korrekt installation av tillbehör och

extrautrustning. Använd endast godkända tillbehör och extrautrustning.

- Använd inte en skadad produkt. Följ underhållsschemat. Utför endast det underhållsarbete som du hittar instruktioner om i den här bruksanvisningen. Godkända servicecenter måste göra allt annat underhållsarbete.
- Den här bruksanvisningen kan inte inkludera alla situationer som kan uppstå när du använder produkten. Var försiktig och använd sunt förnuft. Använd inte produkten eller utför underhåll på produkten om du inte är trygg med situationen. Tala med en produktextpert, din återförsäljare, din serviceverkstad eller ett godkänt servicecenter för att få information.
- Koppla ur tändstiftskabeln innan du monterar produkten, ställer undan produkten för förvaring eller utför underhåll.
- Använd inte produkten om den ändras från dess första specifikation. Byt inte ut en del av produkten utan tillverkarens godkännande. Använd endast reservdelar som godkänts av tillverkaren. Skador eller dödsfall är ett möjligt resultat av felaktigt underhåll.
- Undvik att andas in rök från motorn. Långvarig inandning av motorns avgaser utgör en hälsorisk.
- Starta inte produkten inomhus eller nära brandfarligt material. Avgaserna är heta och kan medföra gnistor som kan orsaka brand. Otillräckligt luftflöde kan orsaka skador eller dödsfall på grund av kvävning eller kolmonoxidförgiftning.
- När du använder denna produkt skapar motorn ett elektromagnetiskt fält. Det elektromagnetiska fältet kan orsaka skador på medicinska implantat. Tala med din läkare och tillverkaren av eventuella medicinska implantat innan du använder produkten.
- Låt inte barn använda produkten. Låt inte personer utan kännedom om instruktionerna använda produkten.
- Se till att du alltid övervakar en person med nedsatt fysisk eller mental kapacitet som använder produkten. En vuxen person måste vara närvarande hela tiden.
- Läs in produkten på en plats där barn och obehöriga personer inte har åtkomst.
- Produkten kan skjuta ut föremål och orsaka skador. Följ säkerhetsinstruktionerna för att minska risken för personskador eller dödsfall.
- Lämna inte produkten när motorn är på.
- Användaren av produkten är ansvarig om en olycka inträffar.
- Innan och medan du backar ska du titta bakåt och nedåt efter små barn, djur eller andra risker som kan göra att du faller.
- Kontrollera att delarna inte är skadade innan du använder produkten.
- Se till att du står minst 15 m från andra personer eller djur innan du använder produkten. Se till att

personer i närheten vet att du kommer att använda produkten.

- Följ nationella eller lokala lagar. De kan förhindra eller minska produktens funktion under vissa förhållanden.

## Utbildning

- Läs, förstå och följ alla instruktioner på maskinen och i bruksanvisningen innan denna produkt används. Se till att ha fullständiga kunskaper om kontrollerna och användning av utrustningen. Känn till hur maskinen stannas och hur kontrollerna kopplas från snabbt.
- Låt aldrig barn använda utrustningen. Låt aldrig vuxna använda utrustningen utan att de fått noggranna instruktioner.
- Håll personer borta från användningsområdet, särskilt små barn.
- Var försiktig för att undvika att halka eller ramlas, speciellt när snöslungan körs bakåt.

## Säkerhetsinstruktioner för drift

- Sätt inte händer eller fötter intill eller under roterande delar. Håll dig alltid borta från utkastöppningen.
- Var extra försiktig vid användning på eller vid korsande av grusvägar, gångvägar eller gator. Var uppmärksam på dolda risker eller trafik.
- Efter att ha kört på ett främmande föremål ska du stanna motorn, ta loss kabeln från tändstiftet, koppla loss sladden på eldrivna motorer, kontrollera produkten noga avseende skador och reparerar den innan den startas igen och används.
- Om produkten börjar vibrera onormalt ska du stänga av motorn och omedelbart kontrollera orsaken. Vibration är normalt ett tecken på att något är fel.
- Stanna alltid motorn när du lämnar arbetsläget, innan inmatningshuset, kåpan eller utkastavledaren rensas, och när reparationer, justeringar eller kontroller utförs.
- Vid rengöring, reparation eller kontroll av produkten ska du stanna motorn och kontrollera att matarskruben och alla rörliga delar har stannat. Koppla ur tändstiftskabeln och håll den på avstånd från stiftet för att förhindra att någon startar motorn oavsiktligt.
- Kör inte motorn inomhus, utom när motorn startas och vid transport av produkten in i eller ut från byggnaden. Öppna ytterdörrarna; avgaser är farliga.
- Var extra försiktig vid användning i sluttingar.
- Använd aldrig produkten utan riktiga skydd och andra säkerhetsdetaljer på plats och fungerande.
- Rikta aldrig utkastavledaren mot personer eller områden där egendom kan skadas. Håll barn och andra borta.
- Överbelasta inte produktens kapacitet genom att försöka röja snö för fort.

- Använd inte produkten med hög fart på hala underlag. Titta bakåt och var försiktig vid bakåtkörning.
- Koppla bort kraften till matarskruvarna när produkten transporteras eller inte används.
- Använd bara extrautrustning och tillbehör som godkännts av tillverkaren av produkten (t.ex. hjulvikter, motvikter eller hytter).
- Använd aldrig produkten utan bra sikt eller belysning. Se alltid till att stå stabilt och håll ordentligt i handtagen. Gå – spring aldrig.
- Vidrör aldrig en varm ljuddämpare.

## Säkerhet i arbetsområdet

- Kontrollera noga området där snöslungan skall användas och tag bort alla dörmattor, kälkar, brådor, kablar och andra främmande föremål.
- Koppla från alla kopplingar och ställ växeln i neutralläge innan motorn startas.
- Använd inte produkten utan att bära lämpliga vinterplagg. Undvik att ha löst hängande kläder som kan fastna i rörliga delar. Använd skor som ger bra grepp på hala ytor.
- Hantera drivmedel försiktigt, det är mycket brandfarligt.
  - Använd en godkänd bränsledunk.
  - Fyll aldrig på drivmedel när motorn är igång eller varm.
  - Fyll försiktigt på bränsletanken utomhus. Fyll aldrig på bränsletanken inomhus.
  - Fyll aldrig på behållare inne i ett fordon eller på en lastbil eller på en släpvagn med plastbeklädnad. Placera alltid behållare på marken, borta från ditt fordon innan påfyllning.
  - När det är praktiskt tillämpligt, tag bort gasdrivna produkter från lastbilen eller släpvagnen och fyll på drivmedel på marken. Om detta inte är möjligt, fyll på drivmedel till sådana produkter med en bärbar behållare, i stället för från ett tankningsmunstycke.
  - Håll alltid munstycket i kontakt med bränsletankens kant eller behållarens öppning, tills tankningen är klar. Använd inte en munstycksöppningsutrustning.
  - Sätt tillbaka bränslelocket ordentligt och torka upp utspillt bränsle.
  - Byt omedelbart kläder om bränsle har spillts ut på dem.
- Använd förlängningssladd och skarvdon som är godkänt av tillverkaren för alla elektriska motorer eller elektriska startmotorer.
- Justera inmatningshusets höjd för att rensa grus- eller stenytor.
- Försök aldrig att göra justeringar när motorn är igång (utom när detta är speciellt rekommenderat av tillverkaren).
- Bär alltid skyddsglasögon eller ögonskydd under användning eller när justeringar eller reparationer

utförs för att skydda ögonen för främmande föremål som kan kastas från maskinen.

## Personlig skyddsutrustning

Använd alltid korrekt personlig skyddsutrustning när du använder produkten. Detta inkluderar åtminstone rejåla skor, skyddsglasögon och hörselskydd. Personlig skyddsutrustning eliminerar inte skaderisken, men den kan minska skadans allvarlighetsgrad vid en eventuell olycka.

- Bär alltid skyddsglasögon eller ögonskydd vid användning av produkten, eller när underhåll eller reparationer utförs.
- Bär alltid lämpliga vinterplagg när du använder produkten.
- Använd alltid kraftiga halksäkra kängor med bra vrilstöd när du använder produkten.
- Bär inte löst sittande kläder som kan fastna i rörliga delar.
- Använd vid behov godkända skyddshandskar. Till exempel vid montering, undersökning eller rengöring av kniven.
- Använd alltid godkänt hörselskydd när du använder produkten. Oljud under en längre period kan leda till bullerorsakad hörselnedsättning.

## Säkerhetsanordningar på produkten

- Se till att du regelbundet utför underhåll på produkten.
  - Produktens livslängd ökar.
  - Risken för olyckor minskar.

Låt en auktoriserad återförsäljare eller ett godkänt servicecenter regelbundet undersöka produkten för att göra justeringar eller reparationer.

- Använd inte en produkt med skadad skyddsutrustning. Om produkten är skadad bör du tala med ett godkänt servicecenter.

## Ljuddämpare

Ljuddämparen håller ljudnivån till ett minimum och leder bort motorns avgaser från föraren.

Använd inte produkten utan eller med defekt ljuddämpare. En defekt ljuddämpare ökar ljudnivån och brandrisken.



**WARNING:** Ljuddämparen blir mycket varm under och efter användning samt när motorn går på tomgång. Var försiktig nära brandfarliga material och/eller ångor för att förhindra brand.

## Bränslesäkerhet



**WARNING:** Läs varningsinstruktionerna nedan innan du använder produkten.



- Starta inte produkten om det finns bränsle eller motorolja på produkten. Ta bort det oönskade bränslet/oljan och låt produkten torka.
- Om du spillt bränsle på kläderna skall dessa bytas omedelbart.
- Se till att inte få bränsle på kroppen, det kan orsaka personskador. Om du får bränsle på kroppen ska du använda tvål och vatten för att ta bort bränslet.
- Starta inte produkten om motorn har en läcka. Undersök regelbundet om motorn läcker.
- Var försiktig med bränsle. Bränsle är brandfarligt och ångorna är explosiva och kan orsaka skador eller dödsfall.
- Undvik att andas in bränsleångor då det kan orsaka personskador. Se till att det finns tillräckligt luftflöde.
- Rök inte i närheten av bränslet eller motorn.
- Placera inga varma föremål i närheten av bränslet eller motorn.
- Fyll inte på bränsle när motorn är på.
- Se till att motorn har svalnat innan du fyller på bränsle.
- Innan du fyller på bränsle bör du öppna bränsletanklocket långsamt och försiktigt släppa på trycket.
- Fyll inte på bränsle i motorn inomhus. Otillräckligt luftflöde kan orsaka skador eller dödsfall på grund av kvävning eller kolmonoxidförgiftning.
- Dra åt bränsletanklocket ordentligt. Om bränsletanklocket inte dras åt ordentligt finns det en risk för brand.
- Flytta produkten minst 3 m från den plats där du fyllde på tanken innan du startar den.
- Fyll inte upp tanken helt. Värme gör att bränslet expanderar. Lämna lite plats längst upp på tanken.

## Kemikalievarning



**WARNING:** Den här produktens motoravgaser innehåller kemikalier som i Kalifornien anses orsaka cancer och fosterskador och andra fortplantningsskador. Mer information finns på [www.P65Warnings.ca.gov](http://www.P65Warnings.ca.gov).

## Säkerhetsinstruktioner för underhåll



**WARNING:** Läs varningsinstruktionerna nedan innan du använder produkten.

- Motorns avgaser innehåller kolmonoxid, en luktlös, giftig och mycket farlig gas. Starta inte motorn inomhus eller i slutna utrymmen.
- Innan du utför underhåll på produkten ska du stänga av motorn och ta bort tändkabeln från tändstiftet.
- Använd skyddshandskar när du utför underhåll på kniven. Knivarna är väldigt vassa och skärskador uppstår lätt.
- Tillbehör och ändringar av produkten som inte godkänts av tillverkaren kan orsaka allvarliga skador eller dödsfall. Modifiera inte produkten. Använd endast tillbehör som godkänts av tillverkaren.
- Om underhåll inte utförs korrekt och regelbundet ökar risken för personskador och skador på produkten.
- Utför endast underhåll enligt anvisningarna i den här bruksanvisningen. All annan service måste utföras av en godkänd serviceverkstad.
- Låt en godkänd serviceverkstad utföra service på produkten regelbundet.
- Byt ut skadade, slitna och trasiga delar.

## Montering



**WARNING:** Läs och förstå säkerhetskapitlet innan du monterar produkten.

### Installera handtagen

1. Ta bort de fyra M8x25-flänsbultarna (A) från huset.
2. Använd de fyra M8x25-flänsbultarna (A), de fyra fjädermellanlägggen (B) och de fyra platta mellanlägggen (C).

3. Montera det nedre handtaget (D) i de två hålen på vardera sidan av huset. (Fig. 25)
4. Använd de tre M8x50-låsbultarna för handtag (A), de tre mellanlägggen (B), de tre handtagsvreden (C) och de tre låsmutterna (D).
5. Installera det övre handtaget med reglagepanelen (E) på det nedre handtaget. (Fig. 26)

### Montera utkastavledaren

1. Ta bort rotatorskivan (B) och de sex sexkantsflänsbultarna (D) från huset.

2. Fäst rotatorskivan (B) och utkastavledaren (A) på utkastets bas med hjälp av tre ändblock (C).
3. Använd sex sexkantflänsbultar (D) och sex låsmuttrar (E) för att låsa ändblocken (C). (Fig. 27)

## Montera utkastets rotator

1. Montera den främre änden av utkastets rotator.
2. Installera plastbussningen (B) på den främre änden av utkastets rotator.
3. Fäst utkastets rotator med ett platt mellanlägg (A) och en hårnålssprint (C). (Fig. 28)
4. Montera den bakre änden av utkastets rotator.
5. Använd en låsmutter M8 (A), ett handtagslåsved i plast (B), två böjda mellanlägg (C) och en skruvstång (D) för att montera utkastets rotator.
6. Använd en sexkantmutter M8 (E) för att fästa utkastets rotator (F) i handtagets hål. (Fig. 29)

## Montera styrstången för drivhastighet

1. Installera den långa böjda änden av styrstången för drivhastighet (A) på reglagepanelen och fäst den med en vevstaksfjäder (B), ett platt mellanlägg (C) och en saxpinne (D). (Fig. 30)

2. Dra upp växelanslutningsplåten (B) och installera den korta böjda änden av styrstången för drivhastighet (A). Fäst styrstången för drivhastighet (A) med ett platt mellanlägg (C) och en saxpinne (D). (Fig. 31)
3. Förläng vid behov styrstången för drivhastighet. Lossa spännskruvens låsmuttrar och vrid på spännskruven. Dra åt spännskruven till dess ursprungliga plats för att få rätt hastighetsreglering. Ursprungsplatsen är markerad på gångorna. (Fig. 32)

## Montera matarskruven och drivningskablarna

1. Ta bort de två kabelskruvarna (B) från kablarna (D).
2. Fäst de två kabelskruvarna (B) i hålen på vänster och höger handtag (A). (Fig. 33)
3. Fäst kablarna (D) på kabelskruvarna (B).
4. Koppla i och lås den vänstra och högra kabelgängsinsatsen (D) och kabelskruven (B) tills den övre delen av mässingslåsmuttern (C) är i linje med markeringen på gångorna (E).
5. Lås kabeln med mässingslåsmuttern (C).

---

## Drift

---



**VARNING:** Läs igenom och förstå säkerhetskapitlet och bruksanvisningen innan du använder produkten.

## Innan du startar produkten

- Håll människor och djur på säkert avstånd från arbetsområdet.
- Utför daglig skötsel. Se *Underhållsschema på sida 428*.
- Se till att tändkabeln sitter ordentligt på tändstiftet.
- Fyll på olja eller bensen, om det behövs. Se *Fylla på motorolja på sida 426*.

## Fylla på motorolja



**OBSERVERA:** Vrid inte på mätstickan när du kontrollerar oljan. Fyll inte över märket.

1. Ta av oljelocket och torka av mätstickan. Se *Produktöversikt på sida 420* för oljestickans placering.
2. Fyll på olja upp till det övre märket på mätstickan. Använd mätstickan för att kontrollera oljenivån regelbundet.
3. Sätt tillbaka oljelocket.

## Fylla på bränsle

Använd miljöanpassad bensen/alkylatbensen om det finns. Använd blyfri bensen av hög kvalitet om miljöanpassad bensen/alkylatbensen inte finns tillgänglig. Använd bensen med ett oktantal på 90 RON utanför Nordamerika (87 (R+M)/2 i Nordamerika) eller högre, med högst 10 % etanol (E10).



**OBSERVERA:** Använd inte bensen med ett oktantal som är lägre än 90 RON utanför Nordamerika (87 (R+M)/2 i Nordamerika). Det kan orsaka skador på produkten.

1. Öppna tanklocket långsamt för att släppa på trycket.
2. Fyll på långsamt med en bränsledunk. Om du spiller bränsle ska du ta bort det med en trasa och låta bensenresterna avdunsta.
3. Torka rent runt bränsletanklocket.
4. Dra åt bränsletanklocket ordentligt. Om bränsletanklocket inte dras åt ordentligt finns det en risk för brand.
5. Flytta produkten minst 3 m från den plats där du fyllde på tanken innan du startar den.

## Justera utkastavledaren

I vilken riktning snö ska slungas styrs av styrningen för utkastets rotator som sitter på vänster handtag.

1. Vrid styrningen för utkastets rotator för att ställa in snöslungans rotationsriktning.

2. Vrid styrningen för utkastets rotator medurs för att slunga snö åt höger.
3. Vrid styrningen för utkastets rotator moturs för att slunga snö åt vänster. (Fig. 34)
4. Flytta vinkeldeflektorn uppåt eller nedåt för att justera hur långt snön slungas. (Fig. 35)
4. Tryck in på/av-nyckeln till KÖR-läget. (Fig. 38)
5. Tryck på primern 1–3 gånger för att starta boosterpumpen. Använd boosterpumpen vid kallstart i låga temperaturer. (Fig. 39)
6. Anslut produkten till strömmen. (Fig. 42)
7. Håll startknappen på styrlådan intryckt i fem sekunder. (Fig. 43)
8. Om motorn inte startar ska du vänta i fem sekunder och sedan trycka på startknappen igen.

## Starta motorn

1. Släpp drivkopplingen. Sätt kontrollreglaget för drivhastighet i det första läget.
2. Vrid bränslereglaget till läget PÅ. (Fig. 36)
3. Vrid choken till STÅNGT läge. (Fig. 37)
4. Tryck in på/av-nyckeln till KÖR-läget. (Fig. 38)
5. Tryck på primern 1–3 gånger för att starta boosterpumpen. Använd boosterpumpen vid kallstart i låga temperaturer. (Fig. 39)
6. Dra i startsnörets handtag. (Fig. 40)



**OBSERVERA:** Släpp inte startsnörets handtag snabbt. För det långsamt tillbaka till startpositionen.

**Notera:** Om startsnörets handtag har frusit ska du sakta dra ut så mycket snöre ur startmotorn som möjligt och släppa startsnörets handtag. Om motorn inte startar ska du upprepa proceduren eller använd den elektriska startmotorn.

7. Låt motorn gå på tomgång i 30–40 sekunder innan du börjar slunga snö.
8. När motorn är varm flyttar du långsamt choken till ÖPPET läge. (Fig. 41)

## Starta motorn, elstart



**VARNING:** Produkten har en elektrisk startmotor med 230 V växelström. Använd inte den elektriska startmotorn om ditt hus inte har ett jordat system för 230 V växelström. Allvarliga personskador eller skador på produkten kan uppstå. Den elektriska startmotorn har en elkontakt med tre kablar och är avsedd att användas med 230 V växelström för hushåll. Se till att huset har ett jordat system för 230 V växelström. Fråga en auktoriserad elektriker om du är osäker.

**Notera:** Använd en förlängningsladd som rekommenderas för utomhusbruk, med en kabelstorlek på minst 1,5 mm<sup>2</sup> och som inte är längre än 15 m.

1. Släpp drivkopplingen. Sätt kontrollreglaget för drivhastighet i det första läget.
2. Vrid bränslereglaget till läget PÅ. (Fig. 36)
3. Vrid choken till STÅNGT läge. (Fig. 37)

4. Tryck in på/av-nyckeln till KÖR-läget. (Fig. 38)
5. Tryck på primern 1–3 gånger för att starta boosterpumpen. Använd boosterpumpen vid kallstart i låga temperaturer. (Fig. 39)
6. Anslut produkten till strömmen. (Fig. 42)
7. Håll startknappen på styrlådan intryckt i fem sekunder. (Fig. 43)
8. Om motorn inte startar ska du vänta i fem sekunder och sedan trycka på startknappen igen.



**OBSERVERA:** Försök inte starta motorn fler än tio gånger. Vänta i 40 minuter innan du försöker igen efter tio försök.

9. Koppla bort nätsladden från produkten när motorn startas.
10. Låt motorn gå på tomgång i 30–40 sekunder innan du börjar slunga snö.
11. När motorn är varm flyttar du långsamt choken till ÖPPET läge. (Fig. 41)

## Använda produkten

1. Tryck matarskruvens inkoppling mot handtaget för att koppla in matarskruv och slunga snö. (Fig. 44)
2. För kontrollreglaget för drivhastighet åt vänster för att köra produkten framåt. För kontrollreglaget för drivhastighet åt höger för att köra produkten bakåt. (Fig. 45)
3. Använd drivkopplingen med höger handtag.
4. Tryck drivkopplingen mot handtaget för att koppla in drivhjulen. Produkten rör sig framåt eller bakåt beroende på placeringen av kontrollreglaget för drivhastighet. (Fig. 46)

## Stoppa produkten

**Notera:** Stoppa motorn i en nödsituation genom att dra ut på/av-nyckeln.

1. Släpp drivkopplingen för att stoppa drivhjulen.
2. Släpp matarskruvens inkoppling för att koppla ur matarskruv och sluta slunga snö. (Fig. 47)
3. Vrid bränslereglaget till läget AV. (Fig. 48)
4. Dra ut på/av-nyckeln. (Fig. 49)

## Få ett bra resultat

- Kör alltid motorn på fullgas eller nära fullgas.
- Anpassa alltid produktens hastighet efter snösituationen och justera hastigheten med kontrollreglaget för drivhastighet. Se till att produkten slungar snön jämnt.
- Det är lättare och effektivare att ta bort snö omedelbart efter att den fallit.
- Slunga alltid snön med vinden om det är möjligt.
- På plana ytor, som asfaltsvägar, ska du lyfta hasplåtarna upp till 5–6 mm från marken.

- Skraplisten är vändbar. När den blir sliten nästan ända till kanten av huset ska du vända den. Byt ut skraplisten om den är skadad eller om båda sidorna är slitna.
- Använd inte utkastvedaren om den är igensatt.
- Om produkten inte rör sig framåt på grund av oförutsedda omständigheter ska du lossa drivningsinkopplingen omedelbart eller flytta PÅ/AV-nyckeln till läget AV.

## Underhåll

### Underhållsschema

Underhåll	Dagligen	20 timmar	50 timmar	100 timmar
Se till att skruvar och muttrar är åtdragna	X			
Kontrollera motorns oljenivå	X			
Byt olja <sup>151</sup>		X	X	X
Se till att det inte finns några bränsle- och oljeläckage	X			
Ta bort smuts eller främmande föremål i matarskruven	X			
Kontrollera däcktrycket <sup>152</sup>			X	
Inspektera och byt ut tändstiftet <sup>153</sup>				X

**Notera:** Det är inte nödvändigt att fylla på fett eller att göra annat underhåll på växellådan.

### Allmän inspektion

- Se till att alla skruvar och muttrar på produkten är korrekt åtdragna.

### Kontrollera oljenivån



**OBSERVERA:** För låg oljenivå kan orsaka allvarliga motorskador. Kontrollera oljenivån innan du startar produkten.

1. Ställ produkten på plan mark.
2. Ta bort oljetanklocket med mätstickan.
3. Torka av oljan från mätstickan.
4. Sätt tillbaka mätstickan helt i oljetanken för att få en korrekt bild av oljenivån.
5. Ta bort mätstickan.

6. Kontrollera oljenivån på mätstickan.
7. Om oljenivån är låg ska du fylla på med motorolja och kontrollera oljenivån igen.

### Byta motorolja

1. Kör motorn några minuter för att värma oljan. Varm olja rinner bättre och har mer föroreningar.



**VARNING:** Motoroljan är varm. Undvik hudkontakt med den använda motoroljan.

2. Ställ produkten på plan mark.
3. Kör motorn tills allt bränsle har tömts.
4. Ta bort tändningsnyckeln.
5. Placera ett kärl under avtappningspluggen.
6. Ta bort avtappningspluggen, luta produkten bakåt och töm den använda oljan i kärlet. (Fig. 50)
7. Ställ tillbaka produkten i arbetsläge.

<sup>151</sup> Byt olja efter de första 20 h, 50 h, 100 h, och sedan var 100:e h.

<sup>152</sup> Se Tekniska data för rätt luftryck.

<sup>153</sup> Kontrollera och rengör tändstiftet före användning varje år.

- Sätt tillbaka avtappningspluggen och dra åt den för hand.
- Fyll på motorolja, se *Fylla på motorolja på sida 426*.

som slungas ut med hög hastighet kan orsaka skador.

## Så undersöker du tändstiftet



**OBSERVERA:** Använd alltid rekommenderad tändstiftstyp. Fel typ av tändstift kan orsaka skador på produkten.

- Undersök tändstiftet om motorn har låg effekt, är svår att starta eller inte fungerar korrekt vid tomgångsvarvtal.
- Följ dessa instruktioner om du vill minska risken för oönskat material på tändstiftets elektroder:
  - Se till att tomgångsvarvtalet är korrekt justerat.
  - Se till att bränsletypen är korrekt.
  - Se till att luftfiltret är rent.
- Om tändstiftet är smutsigt rengör du det och ser till att elektrodavståndet är korrekt, se *Tekniska data på sida 432*. (Fig. 51)
- Byt ut tändstiftet vid behov.

## Inspektera matarskruvar och skraplisten

- Före varje användning ska du inspektera matarskruvarna och skraplisten beträffande slitage.
- Om kanten på skraplisten är sliten ska du vända på skraplisten. Om skraplisten har skador eller är sliten på båda kanterna ska du byta ut den.
- Om kanterna på matarskruvarna är slitna ska du kontakta en auktoriserad serviceverkstad för utbyte.

## Justera hasplåtarna

Hasplåtarna förhindrar skador på undersidan av snöslungan. Justera hasplåtarna (A) när låsmuttern (B) är lös eller hasplåten inte har rätt avstånd från marken. Ingen justering är nödvändig för normal installation.

- Lossa låsmuttern (B) med en 13 mm (1/2 tum) öppen skiftnyckel.
- Flytta hasplåtarna (A) uppåt eller nedåt.
  - På plana ytor ställer du in avståndet mellan skraplisten och marken till 5–6 mm.
  - På ojämna ytor ställer du in hasplåtarna (A) i ett läge där skraplisten ligger ovanför markens övre del.



**WARNING:** Se till att grus och stenar inte kommer in i produkten. Föremål

- Dra åt låsmuttern (B). (Fig. 52)

## Byta ut brytpinnen

Brytpinnen skyddar produkten från skador. Den bryts av om ett främmande föremål kommer in i de rörliga delarna.

- Om brytpinnen bryts av ska du stoppa motorn.
- Fäst en ny brytpinne (A) och en ny klämfjäder (B). (Fig. 53)

## Undersöka däcken

- Håll däcken fria från bränsle, olja och kemikalier för att förhindra skador på gummit.
- Håll däcken borta från stubbar, stenar, fåror, vassa föremål och andra föremål som kan orsaka skador på däcken.
- Se till att däcktrycket är korrekt, se *Tekniska data på sida 432*.

## Rensa en igensatt avledare för utkastarröret

Rensa inte utkastarrörets avledare förrän du har utfört följande.

- Lossa matarskruvens inkoppling och drivningsinkopplingen på samma gång.
- Vänta i tio sekunder för att se till att matarskruvarna har stannat.
- Stäng av produkten.
- Använd rensningsverktyget (minst 37 cm långt, ingår i vissa modeller) för att ta bort hindret.



**WARNING:** Placera inte händerna i utkastarrörets avledare eller inuti matarskruvskolven.

## Rengöra produkten

- Rengör plastdelar med en ren och torr trasa.
- Undvik att använda högtryckstvätt när du rengör maskinen.
- Spola inte vatten direkt på motorn.
- Använd en borste för att ta bort löv, gräs och smuts.

# Felsökning

## Felsökning

Problem	Möjlig orsak	Lösning
Produkten startar inte	Säkerhetständningsnyckeln är inte på plats.	Sätt i säkerhetständningsnyckeln.
	Produkten har slut på bränsle.	Fyll bränsletanken med färsk och ren bensin.
	På/av-nyckeln är AV.	Flytta på/av-nyckeln till läget PÅ.
	Choken är i läget AV (STÅNGD).	Flytta choken till läget PÅ (FULL, ÖPPEN).
	Primern är inte intryckt.	Tryck på primern.
	Motorn är övermättad.	Vänta några minuter innan du startar om, flöda INTE.  Starta om motorn medan fullgas och choken är i läget AV (STÅNGD).
	Tändstiftskabeln är inte ansluten.	Anslut kabeln till tändstiftet.
	Tändstiftet är defekt.	Byt ut tändstiftet.
	Det finns vatten i bränslet eller bränslet är för gammalt.	Töm bränsletanken och förgasaren. Fyll bränsletanken med färsk och ren bensin.
	Det finns ånga i bränsleledningen.	Se till att alla bränsleledningen är lägre än bränsletankens utlopp. Bränsleledningen bör löpa kontinuerligt ned från bränsletanken till förgasaren.
	Andra orsaker.	Inspektera noggrant startprocedurerna i denna handbok.
	Bränslerelaget (i förekommande fall) är i läget STÅNGD (AV).	Vrid bränslerelaget till läget ÖPPEN (PÅ).
Gasrelaget är i läget STOPP.	För gasrelaget till läget SNABB.	
Minskad effekt	Tändstiftskabeln är inte ansluten.	Anslut kabeln till tändstiftet.
	Produkten slungar för mycket snö.	Minska hastigheten och stråkets bredd.
	Bränsletanklocket är täckt med is eller snö.	Ta bort is och snö på och runt bränsletanklocket.
	Ljuddämparen är smutsig eller igensatt.	Rengör eller byt ut ljuddämparen.
	Felaktig kabellängd.	Justera kabeln.
	Ljuddämparen är igensatt.	Se till att motorn är sval. Avlägsna blockeringen.
	Luftintaget på förgasaren är igensatt.	Se till att motorn är sval. Avlägsna blockeringen.

Problem	Möjlig orsak	Lösning
Motorn går på tomgång eller går ojämnt	Choken är i läget PÅ (FULL, ÖPPEN).	Flytta choken till läget AV (STÅNGD).
	Bränsleledningen är igensatt.	Rengör bränsleledningen.
	Det finns vatten i bränslet eller bränslet är för gammalt.	Töm bränsletanken och förgasaren. Fyll bränsletanken med färsk och ren bensin.
	Förgasaren behöver bytas ut.	Kontakta en auktoriserad serviceverkstad.
	Remmen är utsträckt.	Byt ut matarskruvens kilrem.
Kraftiga vibrationer/handtagsrörelser	Vissa delar är lösa. Matarskruvorna är skadade.	Dra åt alla fästdon. Byt ut de skadade delarna. Kontakta en auktoriserad serviceverkstad om vibrationerna kvarstår.
	Handtagen är inte korrekt placerade.	Se till att handtagen är låsta på plats.
	Justeringsspakens muttrar är lösa.	Dra åt muttrarna tills handtaget känns säkert.
Det är svårt att dra i startsnörets handtag	Startsnörets handtag är fruset.	Dra sakta ut så mycket snöre ur startmotorn som möjligt och släpp startsnörets handtag. Om motorn inte startar ska du upprepa proceduren eller använd den elektriska startmotorn.
	Snöret stör komponenter.	Startsnöret ska inte vidröra några kablar eller slangar.
Ingen dragkraft/körhastigheten saktar ned  Ingen eller långsam snöutkastning	Remmen slirar.	Justera kabeln. Justera remmen.
	Remmen är sliten.	Kontrollera/byt ut remmen.
	Remmen har hoppat av linhjulet.	Kontrollera/installera om remmen.
	Utkastavledaren är igensatt.	Rengör utkastavledaren.
	Främmande föremål täpper till matarskruvorna.	Ta bort skräp eller det främmande föremålet från matarskruvorna.
	Brytpinnen är trasig.	Byt ut den trasiga brytpinnen.
	För mycket snö och is har samlats mellan spårkomponenterna.	Ta bort snö och is som har samlats mellan spårkomponenterna.
	Friktionsdrivhjulet är slitet.	Kontakta en auktoriserad serviceverkstad.
Fel på matarskruvens rotation efter att handtaget släpps	Drivremmen är inte inriktad.	Justera drivremmen.
	Utkastavledaren är inte inriktad.	Justera utkastavledaren.
Lamporna inte är på (om sådana finns)	Motorn är inte igång.	Starta motorn.
	Kabelanslutningen är lös.	Kontrollera kabelanslutningarna på motorn och lamporna.
	Lysdioden är bränd.	Byt ut lysdiodmodulen. Enskilda lysdioder kan inte bytas ut.

Problem	Möjlig orsak	Lösning
Utkastets rotator är svårt att rubba	Det finns skräp i utkastets rotatormekanism.	Rengör de inre delarna av utkastets rotatormekanism.
	Kablarna är snodda eller skadade.	Se till att kablarna inte är snodda. Byt ut skadade kablar.
Produkten svänger på ena hållet	Däcktrycket är inte samma på båda sidor.	Justera däcktrycket och fyll däcken.
	Produkten kör med endast ett hjul.	Kontrollera däckens lässprint.
	Ojämn släjustering.	Justera hasplåtarna och släggan.
	Ojämn hasplåtsinställning.	Justera hasplåtarna och släggan.

## Transport, förvaring och kassering

### Transport och förvaring

- Vid förvaring och transport av produkten och bränslet ska du se till att det inte förekommer något läckage eller avgaser. Gnistor eller öppen eld, t.ex. från elektriska apparater eller pannor, kan orsaka brand.
- Använd alltid godkända behållare för transport och förvaring av bränsle.
- Töm bränsletanken innan du placerar produkten för förvaring under en längre tid.
- Om förgasarens flottörshus har en avtappningsplugg ska bränslet tömmas ur förgasaren innan produkten förvaras under en längre tid.

- Fäst produkten ordentligt under transport för att förhindra skador och olyckor.
- Förvara produkten i ett låst utrymme för att förhindra åtkomst för barn eller personer som inte är behöriga.
- Förvara produkten på en torr och frostfri plats.

### Kassering

- Följ lokala bestämmelser och tillämpliga förordningar.
- Kassera alla kemikalier, som motorolja och bränsle, vid en serviceverkstad eller på lämplig anvisad plats.
- Kassera produkten på lämplig anvisad plats eller skicka den till Husqvarna för kassering.

## Tekniska data

### Tekniska data

	ST 124
<b>Dimensioner</b>	
Vikt med tomma tankar, kg	76
Däcktryck vid maximal drift, PSI	20
Intagshöjd, cm	53,3
Arbetsbredd, cm	61
<b>Motor</b>	
Varumärke	Husqvarna
Nominell motoreffekt, kW	4,3
Slagvolym, cc	212
Bränsletyp	Blyfri (högst 10 % etanol)



	<b>ST 124</b>
Bränslekapacitet, gal / l	0,58 / 2,2
Typ av olja (API SJ-SN)	SAE 5W30 (under 0 °C)
Oljekapacitet, fl. oz. / l	20 / 0,6
<b>Elsystem</b>	
Tändstift	F7RTC
Tändstiftets elektrodavstånd (tum / mm)	0,027–0,031 / 0,7–0,8
<b>Bulleremissioner</b> <sup>154</sup>	
Ljudeffektnivå, uppmätt dB(A)	100
Ljudeffektnivå, garanterad L <sub>WA</sub> dB(A)	102
<b>Ljudnivåer</b> <sup>155</sup>	
Ljudtrycksnivå vid användarens öra, uppmätt L <sub>PA</sub> dB(A)	86
<b>Vibrationsnivåer, a<sub>hveq</sub></b> <sup>156</sup>	
Vibrationsnivå i handtaget, vänster / höger	4,15 / 4,08

<sup>154</sup> Emission av buller till omgivningen uppmätt som ljudeffekt (L<sub>WA</sub>) enligt EG-direktiven 2000/14/EG och 2005/88/EG. Redovisade data för emission av buller har ett typiskt spridningsmått (standardavvikelse) på 1,5 dB(A). Osäkerhet = 1,5 dB(A)

<sup>155</sup> Ljudtrycksnivå enligt SS-EN ISO 11201. Redovisade data för ljudtrycksnivå har ett typiskt spridningsmått (standardavvikelse) på 1,5 dB(A). Osäkerhet = 1,5 dB(A)

<sup>156</sup> Vibrationsnivå enligt ISO 8437-4 bilaga B. Osäkerhet = 1,5 m/s<sup>2</sup>

---

## EG-försäkran om överensstämmelse

---

### INNEHÅLLET I EG-FÖRSÄKRAN OM ÖVERENSSTÄMMELSE

Vi, Husqvarna, SE-561 82 Huskvarna, SVERIGE, försäkrar härmed på eget ansvar att denna produkt

Beskrivning	Snöslunga
Varumärke	Husqvarna
Plattform/typ/modell	ST 124
Parti	Serienummer daterade 2020 och framåt

uppfyller alla krav i följande EU-direktiv och förordningar:

Direktiv/förordning	Beskrivning
2006/42/EG	"angående maskiner"
2014/30/EU	"angående elektromagnetisk kompatibilitet"
2000/14/EG; 2005/88/EG	"angående buller utomhus"
2011/65/EU	"angående begränsning av användning av vissa farliga ämnen"

Följande harmoniserade standarder och/eller tekniska specifikationer tillämpas: EN ISO 12100:2010, EN ISO 14982:2009, ISO 8437-1:2019, ISO 8437-2:2019, ISO 8437-4:2019, ISO 3744:1995, EN 1032:2003+A1:2008, EN 50581:2012

I enlighet med direktiv 2000/14/EG + 2005/88/EG, bilaga V, finns ljudvärdena angivna i avsnittet tekniska data i denna handbok och i den undertecknade EG-försäkran om överensstämmelse.

Den levererade snöslungan överensstämmer med det exemplar som genomgick kontrollen.

På uppdrag av Husqvarna AB, 561 82 Huskvarna, SVERIGE, 2020-02-07



Claes Losdal

Den person som är ansvarig för att sammanställa den tekniska beskrivningen som har fastställts inom EU

# İçindekiler

Giriş.....	435	Sorun giderme.....	445
Güvenlik.....	436	Taşıma, depolama ve atma.....	447
Montaj.....	440	Teknik veriler.....	448
Çalışma.....	441	AT Uyumluluk Bildirimi.....	449
Bakım.....	443		

## Giriş

### Ürüne genel bakış

(Şek. 1)

1. Burgu bağlantısı
2. Tahrik hızı kontrol kolu
3. Kontrol paneli
4. Burgu kablosu
5. Boru döndürücü kontrolü
6. Boru saptırıcı
7. Temizleme aracı
8. Burgu muhafazası
9. Burgular
10. Destek plakası
11. Lastik
12. Yağ doldurma
13. Motor
14. Alt kol
15. Tahrik hızı kontrol çubuğu
16. Tahrik kablosu
17. Kendinden geri dönen marş kolu
18. Tahrik kontrolü
19. Tutma yeri tutamakları
20. Primer
21. Jikle
22. Yakıt anahtarı
23. Açma/kapama anahtarı
24. Kullanma kılavuzu

### Ürün açıklaması

Ürün, zemindeki karı temizlemek için kullanılan bir kar küreyicidir.

### Kullanım amacı

Bu ürün tarla, sokak, yürüyüş yolu ve otoyollardan kar temizlemek için kullanılabilir. 15° üzerindeki eğimlerde kullanmayın. Ürünü çok fazla birikinti, kir ve çıkıntı yapan taşların olduğu alanlarda kullanmayın.

### Symbols on the product

**Not:** If the decals on the product are damaged, contact the distributor to replace them.

- (Şek. 2) Warning.
- (Şek. 3) Read the operator's manual.
- (Şek. 4)
- (Şek. 5) Hot surface.
- (Şek. 6) Risk of fire.
- (Şek. 7) Choke.
- (Şek. 8) Pull starter rope handle.
- (Şek. 9) Do not breathe in the exhaust fumes from the engine.
- (Şek. 10) Do not put any part of the body into the chute deflector or the auger housing when the augers rotate.
- (Şek. 11) Stop the engine before you remove snow from the chute deflector. Use the clean-out tool to remove snow, do not do it by hand.
- (Şek. 12)
- (Şek. 11) Keep hands away from the chute deflector.
- (Şek. 13) Objects can be ejected from the product.
- (Şek. 14) Keep bystanders away from the product when operating.
- (Şek. 15) Remove key before maintenance.
- (Şek. 16) Push in the on/off key to the RUN position.
- (Şek. 17) Turn the fuel switch to the ON position.
- (Şek. 18) Push the primer.
- (Şek. 19) Risk of falling.

- (Şek. 20) Move slowly rearward.
- (Şek. 21) Use approved protective gloves.
- (Şek. 22) Use a protective helmet. Use approved hearing protection. Use approved eye protection.
- (Şek. 23) Noise emissions to the environment according to European Directive 2000/14/EC and New South Wales legislation "Protection of the Environment Operations (Noise Control) Regulation 2017". Noise emission data can be found on the machine label and in the Technical data chapter.
- (Şek. 24) European machinery directive for safety.

**Not:** Other symbols/decals on the product refer to certification requirements for some markets.

## Avrupa V Emisyonları



**UYARI:** Motorun kurcalanması bu ürünün AB tip onayını geçersiz kılar.

## Güvenlik

### Güvenlik tanımları

Aşağıdaki tanımlar, her bir sinyal kelimesinin önem derecesini belirtir.



**UYARI:** Yaralanma tehlikesi.



**DİKKAT:** Ürünün hasar görme tehlikesi.

**Not:** Bu bilgiler, ürünün kullanımını kolaylaştırır.

## Yaya kumandalı kar küreyiciler için güvenli kullanım uygulamaları

### Genel

Bu makine, el ve ayakları koparabilir ve etrafa çeşitli nesnelere fırlamasına neden olabilir. Aşağıdaki güvenli talimatlarına uyulmaması, ciddi yaralanmalara neden olabilir.

### Eğitim

- Bu üniteyi çalıştırmadan önce makine ve kılavuzlardaki tüm talimatları okuyun, anlayın ve uygulayın. Makinenin kontrollerini ve doğru kullanım şeklini tam olarak öğrenin. Üniteyi hızlıca durdurmayı ve kontrolleri devre dışı bırakmayı öğrenin.

## Üretici

Husqvarna AB

Drottninggatan 2, SE-561 82 Huskvarna

## Ürün sorumluluğu

Ürün sorumluluğu yasalarında belirtildiği üzere;

- ürünün hatalı bir şekilde onarılması,
- ürünün, üretici tarafından onaylanmayan veya üreticiden alınmayan parçalarla tamir edilmesi,
- üründe, üreticiden alınmayan veya üretici tarafından onaylanmayan bir aksesuar bulunması,
- ve ürünün, onaylı bir servis merkezinde veya yetkili bir kurum tarafından tamir edilmemesi durumunda oluşabilecek hasarlardan sorumlu değildir.

- Çocukların makineyi kullanmasına asla izin vermeyin. Yetişkinlerin ise tam talimatları almadan makineyi kullanmasına asla izin vermeyin.
- Tüm kişileri, özellikle küçük çocukları çalışma alanından uzak tutun.
- Özellikle makineyi geri yönde kullanırken, kaymaya ya da düşmeye karşı dikkatli olun.

### Hazırlık

- Makinenin kullanılacağı alanı etraflıca kontrol edin; tüm paspasları, tablaları, devreleri, kabloları ve diğer yabancı nesnelere kaldırın.
- Motoru çalıştırmadan önce tüm kavramaları ve vitesi nötr konuma alın.
- Uygun kış kıyafetleri giymeden makineyi kullanmayın. Hareketli parçalara takılabilecek bol kıyafetler giymekten kaçının. Kaygan yüzeylerde yere sağlam basmanızı sağlayacak ayakkabılar giyin.
- Gözlerinizi makineden fırlatılabilecek yabancı nesnelere korumak için kullanım sırasında veya bir ayar ya da onarım yaparken her zaman gözlük veya göz koruyucu takın.
- Yakıtı kullanırken dikkatli olun; çok yanıcıdır.
- Onaylı bir yakıt konteynirini kullanın.
- Çalışmakta olan veya sıcak bir motora hiçbir zaman yakıt eklemeyin.
- Yakıt tankını dış mekanda ve çok dikkatli bir şekilde doldurun. Yakıt tankını asla iç mekanda doldurmayın.

- Konteynirleri hiçbir zaman bir aracın içinde veya plastik astarlı bir kamyon ya da römork kasasında doldurmayın. Konteynirleri doldurmadan önce her zaman araçtan uzaktaki bir zemine yerleştirin.
- Uygulanabilir olduğunda, benzinle çalışan ekipmanı kamyon veya römorktan indirin ve yakıt dolumunu yerdeyken yapın. Bu mümkün değilse yakıt dolumunu, bir benzin pompası nozülü yerine taşınabilir konteynir ile römork üzerinde yapın.
- Yakıt dolumu tamamlanana kadar nozülü her zaman yakıt tankı veya konteynir ağzının kenarıyla temas halinde tutun. Nozül kilit açma cihazı kullanmayın.
- Benzin kapağını dikkatli bir şekilde yerleştirin ve dökülen yakıtı silin.
- Giysinize yakıt dökülürse giysinizi hemen değiştirin.
- Elektrikli marş motoru olan tüm üniteler için üretici tarafından belirtilen kablo ve prizleri kullanın.
- Yüzeydeki çakılları veya parçalanmış taşları temizlemek için toplayıcı muhafazasının yüksekliğini ayarlayın.
- Motor çalışırken asla bir ayarlama yapmaya çalışmayın (üretici tarafından özellikle önerilen durumlar haricinde).

### Çalışma

- Ellerinizi ya da ayaklarınızı döner parçaların yakınına veya altına koymayın. Her zaman deşarj borusunun uzağında durun.
- Çakıllı yollarda veya kaldırımlarda kullanırken veya bu tarz yüzeylerden geçerken çok dikkatli olun. Gizli tehlikelere veya halka açık yolların yakınında çalışmaya karşı dikkatli olun.
- Yabancı bir cisme çarptıktan sonra motoru durdurun, kabloyu bujiden çıkarın, elektrik motorlarındaki kabloyu sökün, kar küreyicide hasar olup olmadığını iyice inceleyin ve kar küreyiciyi yeniden çalıştırmadan ve kullanmadan önce hasarını onarın.
- Makine normal olmayan şekilde titremeye başlarsa motoru durdurun ve hemen nedenini kontrol edin. Titreşim genellikle bir sorun olduğunu gösterir.
- Çalışma konumundan her çıktığınızda, kollektör/pervane muhafazasının veya deşarj borusunun tıkanıklığını açmadan önce ve herhangi bir onarım, ayarlama ya da kontrol işlemi yaparken motoru durdurun.
- Motoru çalıştırma ve kar küreyiciyi binanın içine veya dışına taşıma işlemi dışında motoru iç mekanlarda çalıştırmayın. Dışarıya açılan kapıları açın; egzoz dumanları tehlikelidir.
- Eğitimlerde kullanırken çok dikkatli olun.
- Makineyi doğru siperikler ve diğer güvenlik araçları yerinde ve çalışır durumda olmadan asla çalıştırmayın.

- Deşarjı hiçbir zaman insanlara ya da maddi hasar oluşabilecek yerlere yöneltmeyin. Çocukları ve diğer kişileri uzak tutun.
- Karı çok yüksek bir hızda temizlemeye çalışarak makine kapasitesine aşırı yüklenmeyin.
- Kaygan yüzeylerde makineyi asla yüksek hareket hızında kullanmayın. Ters yönde kullanırken arkanıza bakın ve dikkatli olun.
- Makine taşınırken veya kullanım dışıyken kollektör/pervaneye giden gücü kesin.
- Yalnızca makinenin üreticisi tarafından onaylanmış ataşmanları ve aksesuarları (tekerlek ağırlıkları, dengeleme ağırlıkları veya kabinler gibi) kullanın.
- İyi bir görüşün veya ışığın olmadığı ortamlarda makineyi asla kullanmayın. Her zaman yere sağlam basın ve kolları sıkı bir şekilde tutun. Yürüyün; asla koşmayın.
- Sıcak bir motora veya susturucuya asla dokunmayın.

### Tıkalı bir deşarj borusunu temizleme

- Deşarj borusunun içindeki dönen pervaneye el teması, kar küreyicilerle ilgili en yaygın yaralanma nedenidir. Deşarj borusunu temizlemek için asla elinizi kullanmayın.
- Boruyu temizlemek için:
  1. MOTORU DURDURUN!
  2. Pervane kanatlarının dönmediğinden emin olmak için 10 saniye bekleyin.
  3. Ellerinizin yerine daima bir temizleme aracı kullanın.

### Bakım ve saklama

- Ekipmanın güvenli çalışma durumunu muhafaza etmek için kilit civatalarını ve diğer civataları sık aralıklarla kontrol ederek bunların sıkı olmasını sağlayın.
- Sıcak su ısıtıcıları, alan ısıtıcıları veya çamaşır kurutucuları gibi tutuşma kaynaklarının bulunduğu bir binanın içinde asla yakıt tankında yakıt varken makineyi depoya kaldırmayın. Depoya kaldırmadan önce motorun soğumasını bekleyin.
- Kar küreyici uzun bir süre boyunca depoya kaldırılacaksa önemli ayrıntılar için daima kullanım kılavuzuna bakın.
- Güvenlik etiketlerinin gerekirse bakımını veya değişimini yapın.
- Kollektörün/pervanenin donmasını engellemek için kar küredikten sonra makineyi birkaç dakika boyunca çalıştırın.
- Kar küreyiciyi temizlerken, onarıırken veya kontrol ederken motoru durdurun ve kollektör/pervane ile tüm hareketli parçaların durdurulduğundan emin olun. Motorun kazayla çalıştırılmasını önlemek için bujiyi sökün ve kabloyu bujiden uzakta tutun.

### Genel güvenlik talimatları

- Ürünü doğru şekilde kullanın. Yaralanma veya ölüm, hatalı kullanımın olası sonuçlarıdır. Ürünü, yalnızca

bu kılavuzda belirtilen işler için kullanın. Ürünü başka işler için kullanmayın.

- Bu kılavuzdaki talimatlara uyun. Güvenlik sembollerine ve güvenlik talimatlarına uyun. Operatörün talimatlara ve sembollere uymaması yaralanma, hasar veya ölümlle sonuçlanabilir.
- Bu kılavuzu atmayın. Ürününüzü monte etmek, çalıştırmak ve iyi durumda tutmak için talimatlara başvurun. Atışmanların ve aksesuarların doğru kurulumu için talimatlara başvurun. Yalnızca onaylanmış atışmanları ve aksesuarları kullanın.
- Hasarlı ürünü kullanmayın. Bakım takvimine uyun. Yalnızca bu kılavuzda ilgili talimatı bulduğunuz bakım çalışmalarını gerçekleştirin. Diğer tüm bakım işlerini onaylı bir servis merkezi yapmalıdır.
- Bu kılavuz, ürünü kullanırken oluşabilecek tüm durumları kapsayamaz. Dikkatli olun ve sağduyunuza kullanın. Durumdan emin değilseniz ürünü kullanmayın veya ürün üzerinde bakım yapmayın. Bilgi almak için bir ürün uzmanına, bayinize, servis noktasına veya onaylı servis merkezine danışın.
- Ürünü monte etmeden, saklamadan veya ürün üzerinde bakım yapmadan önce buji kablosunun bağlantısını kesin.
- Orijinal özellikleri değiştirilmişse ürünü kullanmayın. Üreticinin onayı olmadan ürünün bir parçasını değiştirmeyin. Yalnızca üretici tarafından onaylanmış parçaları kullanın. Hatalı bakım çalışmaları, yaralanma veya ölümlle sonuçlanabilir.
- Motordan çıkan dumanları solumayın. Motordan çıkan egzoz dumanlarını uzun süre solumak sağlık açısından risklidir.
- Ürünü kapalı yerlerde veya yanıcı maddelerin yakınında çalıştırmayın. Egzoz dumanları sıcaktır ve bir yangına neden olabilecek kıvılcımlar içerebilir. Nefessiz kalma veya karbon monoksit nedeniyle yeterli hava akışının olmaması yaralanmaya veya ölüme sebep olabilir.
- Bu ürünü kullandığınızda motor, elektromanyetik bir alan oluşturur. Elektromanyetik alan, tıbbi implantlara zarar verebilir. Ürünü kullanmadan önce doktorunuzla ve tıbbi implant üreticinizle iletişime geçin.
- Ürünü, bir çocuğun kullanmasına izin vermeyin. Talimatlar hakkında bilgisi olmayan birinin ürünü çalıştırmasına izin vermeyin.
- Fiziksel veya zihinsel kapasitesi düşük olan bir kişi ürünü kullanırken daima gözetim altında tutun. Sorumluluk sahibi bir yetişkin her zaman orada olmalıdır.
- Ürünü, çocukların ve onaylanmayan kişilerin ulaşamayacağı bir yere kilitleyin.
- Ürünü, nesnelere fırlatarak yaralanmaya sebep olabilir. Yaralanma veya ölüm riskini azaltmak için güvenlik talimatlarına uyun.
- Motor açıkken üründen uzaklaşmayın.
- Oluşabilecek kazalardan operatör sorumludur.

- Geriye doğru yürümeden önce ve geriye doğru yürürken, küçük çocuklara, hayvanlara veya düşmenize neden olabilecek diğer risklere karşı arkanıza ve aşağıya bakın.
- Ürünü kullanmadan önce parçaların hasarlı olmadığından emin olun.
- Ürünü kullanmadan önce diğer insanlardan veya hayvanlardan en az 15 m (50 ft) uzakta olduğunuzdan emin olun. Etrafınızdaki bir kişinin ürünü kullanacağınıza bildiğinden emin olun.
- Ulusal veya yerel yasalara uyun. Bazı koşullarda bu yasalar, ürünün kullanımını önleyebilir veya kısıtlayabilir.

## Eğitim

- Bu üniteyi çalıştırmadan önce makine ve kılavuzlardaki tüm talimatları okuyun, anlayın ve uygulayın. Ekipmanın kontrollerine ve doğru kullanım şeklini tam olarak inceleyin. Üniteyi hızlıca durdurmayı ve kontrolleri devre dışı bırakmayı öğrenin.
- Çocukların ekipmanı kullanmasına asla izin vermeyin. Yetişkinlerin ise tam talimatları almadan ekipmanı kullanmasına asla izin vermeyin.
- Tüm kişileri, özellikle küçük çocukları çalışma alanından uzak tutun.
- Özellikle kar küreyiciyi geriye doğru kullanırken kaymaya ya da düşmeye karşı dikkatli olun.

## Kullanım için güvenlik talimatları

- Ellerinizi ya da ayaklarınızı döner parçaların yakınına veya altına koymayın. Her zaman deşarj borusunun uzağında durun.
- Çakıllı yollarda veya kaldırımlarda ekipmanı kullanırken veya bu tarz yüzeylerden geçerken çok dikkatli olun. Gizli tehlikelere veya trafiğe karşı tetikte olun.
- Yabancı bir cisme çarptıktan sonra motoru durdurun, kabloyu bujiden çıkarın, elektrik motorlarındaki kabloyu sökün, üründe hasar olup olmadığını iyice inceleyin ve ürünü yeniden çalıştırmadan ve kullanmadan önce hasarı onarın.
- Ürün normal olmayan şekilde titremeye başlarsa motoru durdurun ve hemen nedenini kontrol edin. Titreşim genellikle bir sorun olduğunu gösterir.
- Çalışma konumundan her çıktığınızda, matkap yuvasının veya boru sapınının tıkanıklığını açmadan önce ve herhangi bir onarım, ayarlama ya da kontrol işlemi yaparken motoru durdurun.
- Ürünü temizlerken, onarıırken veya kontrol ederken motoru durdurun ve burgular ile tüm hareketli parçaların durdurulduğundan emin olun. Motorun kazayla çalıştırılmasını önlemek için bujiyi sökün ve kabloyu bujiden uzakta tutun.
- Motoru çalıştırma ve ürünü binanın içine veya dışına taşıma işlemi dışında motoru iç mekanlarda çalıştırmayın. Dışarıya açılan kapıları açın; egzoz dumanları tehlikelidir.
- Eğitimlerde kullanırken çok dikkatli olun.

- Ürünü doğru siperlikler ve diğer güvenlik araçları yerinde ve çalışır durumda olmadan asla çalıştırmayın.
- Boru sapırcıyı hiçbir zaman insanlara ya da maddi hasar oluşturabilecek yerlere yöneltmeyin. Çocukları ve diğer kişileri uzak tutun.
- Karı çok yüksek bir hızda temizlemeye çalışarak ürün kapasitesine aşırı yüklenmeyin.
- Kaygan yüzeylerde ürünü asla yüksek hareket hızında kullanmayın. Ters yönde kullanırken arkanıza bakın ve dikkatli olun.
- Ürün taşınırken veya kullanımında dışıyken burgulara giden gücü kesin.
- Yalnızca ürünün üreticisi tarafından onaylanmış ataşmanları ve aksesuarları (direksiyon ağırlıkları, dengeleme ağırlıkları veya kabinler gibi) kullanın.
- İyi bir görünürlüğün veya ışığın olmadığı ortamlarda ürünü asla kullanmayın. Her zaman yere sağlam basın ve kolları sıkı bir şekilde tutun. Yürüyün; asla koşmayın.
- Sıcak bir motora veya susturucuya asla dokunmayın.

## Çalışma alanı güvenliği

- Ekipmanın kullanılacağı alanı etrafıca kontrol edin; tüm paspasları, tablaları, devreleri, kabloları ve diğer yabancı nesnelere kaldırın.
- Motoru çalıştırmadan önce tüm kavramaları ve vitesi nötr konuma alın.
- Uygun kış kıyafetleri giymeden ürünü kullanmayın. Hareketli parçalara takılabilecek bol kıyafetler giymekten kaçının. Kaygan yüzeylerde yere sağlam basmanızı sağlayacak ayakkabılar giyin.
- Yakıtı kullanırken dikkatli olun; çok yanıcıdır.
  - Onaylı bir yakıt konteyniri kullanın.
  - Çalışmakta olan veya sıcak bir motora hiçbir zaman yakıt eklemeyin.
- Yakıt tankını dış mekanda ve çok dikkatli bir şekilde doldurun. Yakıt tankını asla iç mekanda doldurmayın.
- Konteynirleri hiçbir zaman bir aracın içinde veya plastik astarlı bir kamyon ya da römork kasasında doldurmayın. Konteynirleri doldurmadan önce her zaman araçtan uzaktaki bir zemine yerleştirin.
- Uygulanabilir olduğunda, benzinle çalışan ekipmanı kamyon veya römorktan indirin ve yakıt dolumunu yerdeyken yapın. Bu mümkün değilse yakıt dolumunu, bir benzin pompası nozülü yerine taşınabilir konteynir ile römork üzerinde yapın.
- Yakıt dolumu tamamlanana kadar nozülü her zaman yakıt tankı veya konteynir ağzının kenarıyla temas halinde tutun. Nozül kilit açma cihazı kullanmayın.
- Benzin kapağını dikkatli bir şekilde yerleştirin ve dökülen yakıtı silin.
- Giysinize yakıt dökülürse giysinizi hemen değiştirin.

- Elektrikli tahrik motoru veya elektrikli marş motoru olan tüm birimler için üretici tarafından belirtilen kablo ve prizleri kullanın.
- Yüzeydeki çakılları veya parçalanmış taşları temizlemek için burğu muhafazasının yüksekliğini ayarlayın.
- Motor çalışırken asla bir ayarlama yapmaya çalışmayın (üretici tarafından özellikle önerilen durumlar haricinde).
- Gözlerinizi makineden fırlatılabilecek yabancı nesnelere korumak için kullanılmı sırasında veya bir ayar ya da onarım yaparken her zaman gözlük veya göz koruyucu takın.

## Kişisel koruyucu ekipman

Ürünü kullanırken her zaman doğru kişisel koruyucu ekipmanları kullanın. Buna asgari olarak konforlu ayakkabılar, koruyucu gözlük ve kulak koruma ekipmanları dahildir. Kişisel koruyucu ekipmanlar yaralanma riskini ortadan kaldırmaz ancak bir kaza durumunda yaralanmanın ciddiyetini azaltabilir.

- Ürünü kullanırken veya bakım ya da onarım yaparken her zaman güvenlik gözlükleri ya da koruyucu gözlük kullanın.
- Ürünü kullanırken her zaman uygun kış kıyafetlerini giyin.
- Ürünü çalıştırırken her zaman iyi bilek desteği sağlayan ağır hizmet tipi kaymayan botlar giyin.
- Hareketli parçalara takılabilecek bol kıyafetler giymeyin.
- Gerekirse onaylı koruyucu eldiven kullanın. Örneğin, bıçağı takarken, incelerken veya temizlerken.
- Ürünü kullanırken daima onaylı bir koruyucu kulaklık takın. Uzun süre boyunca gürültüye maruz kalmak gürültüye bağlı işitme kaybına neden olabilir.

## Ürünün üzerindeki güvenlik aletleri

- Ürünün bakımını düzenli olarak yaptığınızdan emin olun.
  - Ürünün kullanım ömrü artar.
  - Kaza riski azalır.

Ürün üzerinde ayarlama veya onarım yapılması için düzenli olarak ürünü onaylı bir bayi veya onaylı bir servis merkezi tarafından incelenmesini sağlayın.

- Ürünü, hasarlı koruyucu ekipmanla kullanmayın. Ürün hasar görürse onaylı bir servis merkeziyle görüşün.

## Susturucu

Susturucu, gürültü düzeyini minimum seviyede tutar ve egzoz dumanlarını operatörden uzağa gönderir.

Susturucu yoksa veya arızalıysa ürünü kullanmayın. Arızalı bir susturucu, gürültü düzeyini ve yangın riskini artırır.



**UYARI:** Susturucu kullanım sırasında, kullanım sonrasında ve motor rölantide çalışırken çok sıcak olur. Yangını önlemek için yanıcı malzemeleri ve/veya dumanları yakınında dikkatli olun.

- Yakıt tankını tamamen doldurmayın. Isı yakıtın genişlemesine neden olur. Yakıt tankının üst kısmında boşluk bırakın.

## Kimyasal uyarısı



**UYARI:** Bu üründen çıkan motor egzozu Kaliforniya Eyaleti'nde kansere, doğum kusurlarına ve diğer üreme sorunlarına neden olduğu bilinen kimyasallar içermektedir. Daha fazla bilgi için [www.P65Warnings.ca.gov](http://www.P65Warnings.ca.gov) adresine gidin.

## Bakım için güvenlik talimatları



**UYARI:** Ürünü kullanmadan önce aşağıdaki uyarı talimatlarını okuyun.

- Motordan gelen egzoz dumanı kokusuz, zehirli ve son derece tehlikeli bir gaz olan karbon monoksit içerir. Motoru iç mekanlarda veya kapalı alanlarda çalıştırmayın.
- Ürüne bakım yapmadan önce, motoru durdurun ve ateşleme kablosunu bujiden ayırın.
- Bıçaklara bakım yaparken koruyucu eldiven kullanın. Bıçaklar çok keskindir ve kolaylıkla kesiklere yol açabilir.
- Üretici tarafından onaylanmayan aksesuarlar ve değişiklikler ciddi yaralanmaya veya ölüme neden olabilir. Ürünü değiştirmeyin. Her zaman üretici tarafından onaylanmış aksesuarlar kullanın.
- Bakım doğru bir şekilde ve düzenli olarak yapılmazsa yaralanma ve ürünün zarar görme riski artar.
- Bakım işlemini yalnızca kullanıcı kılavuzunda belirtilen şekilde gerçekleştirin. Diğer tüm servis ve bakım işlemleri, onaylı servis noktası tarafından yapılmalıdır.
- Yetkili bir servis noktasının ürüne düzenli olarak servis işlemi uygulamasını sağlayın.
- Hasarlı, aşınmış veya bozuk parçaları değiştirin.

## Yakıt güvenliği



**UYARI:** Ürünü kullanmadan önce aşağıdaki uyarı talimatlarını okuyun.

- Ürünün üzerinde yakıt veya motor yağı varsa ürünü çalıştırmayın. İstenmeyen yakıtı/yağı temizleyin ve ürünün kurumasını bekleyin.
- Kıyafetlerinize yakıt bulaşırsa kıyafetlerinizi hemen değiştirin.
- Vücudunuza yakıt bulaştırmayın; bu, yaralanmaya sebep olabilir. Vücudunuza yakıt bulaşırsa yakıtı temizlemek için su ve sabun kullanın.
- Motorda sızıntı varsa ürünü çalıştırmayın. Motorda sızıntı olup olmadığını düzenli olarak kontrol edin.
- Yakıtla uğraşırken dikkatli olun. Yakıt yanıcı ve dumanlar patlayıcıdır; yaralanmalara veya ölüme sebep olabilir.
- Yaralanmaya sebep olabileceğinden yakıt dumanını solumayın. Yeterli hava akışı olduğundan emin olun.
- Yakıtın veya motorun yakınında sigara içmeyin.
- Yakıtın veya motorun yakınına sıcak nesnelere koymayın.
- Motor açıkken yakıt eklemeyin.
- Yakıtı yenilemeden önce motorun soğuduğundan emin olun.
- Yakıtı yenilemeden önce yakıt tankı kapağını yavaşça açın ve basıncı dikkatlice tahliye edin.
- Kapalı bir alanda motora yakıt eklemeyin. Nefessiz kalma veya karbon monoksit nedeniyle yeterli hava akışının olmaması yaralanmaya veya ölüme sebep olabilir.
- Yakıt tankı kapağını tamamen sıkın. Yakıt tankı kapağı sıkılmamışsa yangın riski vardır.
- Çalıştırmadan önce ürünü, yakıt tankını doldurduğunuz konumdan en az 3 m/10 ft uzağa taşıyın.

## Montaj



**UYARI:** Ürünü monte etmeden önce güvenlik bölümünü okuyup anlayın.

## Tutma yerlerini takma

1. 4 adet M8x25 flanş civatasını (A) kutudan çıkarın.
2. 4 adet M8x25 flanş civatasını (A), 4 adet yay ara parçasını (B) ve 4 adet düz ara parçayı (C) kullanın.

3. Alt tutma yerini (D) kutunun her iki yanındaki 2 deliğe takın. (Şek. 25)
4. 3 adet M8x50 tutma yeri kilit civatasını (A), 3 adet ara parçayı (B), 3 adet tutma yeri topuzunu (C) ve 3 adet kilitleme somununu (D) kullanın.
5. Kontrol panelli üst tutma panelini (E) alt tutma yerine takın. (Şek. 26)



## Boru saptırıcısını monte etme

1. Döndürücü disk (B) ve 6 adet altıgen flanş civatasını (D) kutudan çıkarın.
2. Döndürücü disk (B) ve boru saptırıcıyı (A) 3 adet sınır bloğu (C) kullanarak boru tabanına takın.
3. Sınır bloklarını (C) kilitlemek için 6 adet altıgen flanş civatası (D) ve 6 adet kilit somunu (E) kullanın. (Şek. 27)

## Boru döndürücüyü monte etme

1. Boru döndürücünün ön ucunu monte edin.
2. Plastik burcu (B) boru döndürücünün ön ucuna takın.
3. Boru döndürücüyü 1 adet düz ara parça (A) ve 1 adet kopyıla (C) ile birlikte takın. (Şek. 28)
4. Boru döndürücünün arka ucunu monte edin.
5. Boru döndürücüyü monte etmek için 1 adet M8 kilit somunu (A), 1 adet plastik kilit tutma yeri topuzu (B), 2 adet eğri ara parçası (C) ve 1 adet vida seviyesi (D) kullanın.
6. Boru döndürücüyü (F) tutma yerinin deliklerine sabitlemek için 1 adet altıgen somun M8 (E) kullanın. (Şek. 29)

## Tahrik hızı kontrol çubuğunu monte etme

1. Tahrik hızı kontrol çubuğunun (A) uzun bükülmüş ucunu kontrol paneline takın ve 1 adet bağlantı

- çubuğu yayı (B), 1 adet düz ara parça (C) ve 1 adet kama (D) ile tutturun. (Şek. 30)
2. Vites bağlantı plakasını (B) yukarı çekin ve tahrik hızı kontrol çubuğunun (A) kısa bükülmüş ucunu takın. Tahrik hızı kontrol çubuğunu (A) 1 adet düz ara parçası (C) ve 1 adet kama (D) ile tutturun. (Şek. 31)
3. Gerekirse tahrik hızı kontrol çubuğunu uzatın. Germe donanımının kilit somunlarını gevşetin ve germe donanımını döndürün. Uygun hız kontrolü için germe donanımını orijinal konumuna geri sıkın. Orijinal konum dişler üzerinde işaretlenmiştir. (Şek. 32)

## Burgu ve tahrik kablolarını monte etme

1. 2 adet kablo vidası civatasını (B) kablolardan (D) çıkarın.
2. 2 adet kablo vidası civatasını (B) sol ve sağ tutma yerlerindeki (A) deliklere takın. (Şek. 33)
3. Kabloları (D) kablo vidası civatalarına (B) takın.
4. Pirinç kilit somununun (C) üst kısmı dişlerdeki (E) işaretle hizalanana kadar sol ve sağ kablo dişli bagasını (D) ve kablo vidası civatasını (B) bağlayın ve kilitleyin.
5. Kabloyu pirinç kilit somunuyla (C) kilitleyin.

## Çalışma



**UYARI:** Ürünü kullanmadan önce, güvenlik bölümünü ve kullanma talimatlarını dikkatlice okuyun ve anlayın.

## Ürünü çalıştırmadan önce

- İnsanları ve hayvanları çalışma alanından uzakta tutun.
- Günlük bakımı yapın. Bkz. *Bakım takvimi sayfada: 443.*
- Ateşleme ucunun bujiye doğru şekilde uyduğundan emin olun.
- Gerekirse yağ veya benzin ekleyin. Bkz. *Motora yağ doldurmak için sayfada: 441.*

## Motora yağ doldurmak için



**DİKKAT:** Yağı kontrol ederken daldırma çubuk ölçüğü döndürmeyin. Doldururken işaretin üzerine çıkmayın.

1. Yağ kapağını çıkarın ve daldırma çubuk ölçüğü temizleyin. Daldırma çubuk ölçüğün konumu için bkz. *Ürüne genel bakış sayfada: 435.*

2. Daldırma çubuk ölçüğün üst işaretine kadar yağ ekleyin. Düzenli aralıklarla yağ seviyesini kontrol etmek için daldırma çubuk ölçüğü kullanın.
3. Yağ kapağını yerine takın.

## Yakıt doldurma

Varsa, düşük emisyonlu/alkilat benzin kullanın. Düşük emisyonlu/alkilat benzin yoksa kaliteli kurşunsuz benzin kullanın. Kuzey Amerika dışında oktan numarası 90 RON (Kuzey Amerika'da 87 (R+M)/2) veya daha yüksek olan ve en fazla %10 etanol (E10) içeren benzin kullanın.



**DİKKAT:** Kuzey Amerika dışında oktan numarası 90 RON (Kuzey Amerika'da 87 (R+M)/2) değerinin altında olan benzin kullanmayın. Bu, üründe hasara neden olabilir.

1. Basıncı tahliye etmek için yakıt tankı kapağını yavaşça açın.
2. Yakıt bidonuyla yavaşça doldurun. Yakıt dökerseniz bezle silin ve kalan yakıtı kurumaya bırakın.
3. Yakıt tankı kapağının çevresini temizleyin.

4. Yakıt tankı kapağını tamamen sıkın. Yakıt tankı kapağı sıkılmamışsa yangın riski vardır.
5. Çalıştırmadan önce ürünü, yakıt tankını doldurduğunuz konumdan en az 3 m (10 ft) uzağa taşıyın.

230 Volt A.C. doğru topraklanmış bir sistem olduğundan emin olun. Emin değilseniz yetkili bir elektrik teknisyenine danışın.

## Boru saptırıcısını ayarlama

Karın atılacağı yön, sol taraftaki tutma yerine takılan boru döndürücü kontrolü tarafından kontrol edilir.

1. Boru döndürücü kontrolünü döndürerek kar küreme yönünü ayarlayın.
2. Karı sağa doğru küremek için boru döndürücü kontrolünü saat yönünde döndürün.
3. Karı sola doğru küremek için boru döndürücü kontrolünü saat yönünün tersine döndürün. (Şek. 34)
4. Kar küreme mesafesini ayarlamak için açılı saptırıcıyı yukarı veya aşağı hareket ettirin. (Şek. 35)

## Motorun çalıştırılması

1. Tahrik kontrolünü serbest bırakın. Tahrik hızı kontrol kolunu birinci konuma getirin.
2. Yakıt anahtarını AÇIK konumuna getirin. (Şek. 36)
3. Jikleği KAPALI konumuna getirin. (Şek. 37)
4. Açma/kapama anahtarını ÇALIŞTIR konumuna itin. (Şek. 38)
5. Takviye pompasını çalıştırmak için primere 1-3 kez basın. Düşük sıcaklıklarda soğuk çalışma için takviye pompasını kullanın. (Şek. 39)
6. Kendinden geri dönen marş kolunu çekin. (Şek. 40)



**DİKKAT:** Kendinden geri dönen marş kolunu hızlıca bırakmayın. Yavaşça başlangıç konumuna geri taşıyın.

**Not:** Kendinden geri dönen marş kolu donmuşsa marştan mümkün olduğunca fazla ipi yavaşça dışarı çekin ve kendinden geri dönen marş kolunu serbest bırakın. Motor çalışmazsa prosedürü tekrarlayın veya elektrikli marş kullanın.

7. Kar küremeye başlamadan önce motoru 30-40 saniye boyunca rölanli devrinde çalıştırın.
8. Motor sıcakken jikleği yavaşça AÇIK konuma getirin. (Şek. 41)

## Motoru çalıştırmak için elektrikli çalışma



**UYARI:** Üründe 230 Volt A.C. elektrikli marş mevcuttur. Evinizde 230 Volt A.C. doğru şekilde topraklanmış bir sistem yoksa elektrikli marş özelliğini kullanmayın. Ciddi yaralanma veya üründe hasar oluşabilir. Elektrikli marş, üç telli elektrik fişliyle donatılmıştır ve 230 Volt A.C. ev tipi akım kullanacak şekilde tasarlanmıştır. Evinizde

**Not:** En az 16 AWG (1,5 mm<sup>2</sup>) tel boyutunda ve en fazla 50 ft (15 m) uzunluğunda bir uzatma kablosu kullanın. Bu kablo dış mekanda kullanım için önerilir.

1. Tahrik kontrolünü serbest bırakın. Tahrik hızı kontrol kolunu birinci konuma getirin.
2. Yakıt anahtarını AÇIK konumuna getirin. (Şek. 36)
3. Jikleği KAPALI konumuna getirin. (Şek. 37)
4. Açma/kapama anahtarını ÇALIŞTIR konumuna itin. (Şek. 38)
5. Takviye pompasını çalıştırmak için primere 1-3 kez basın. Düşük sıcaklıklarda soğuk çalışma için takviye pompasını kullanın. (Şek. 39)
6. Ürünü güç kaynağına bağlayın. (Şek. 42)
7. Kontrol kutusu üzerindeki çalışma düğmesini 5 saniye boyunca basılı tutun. (Şek. 43)
8. Motor çalışmazsa 5 saniye bekleyin ve ardından çalışma düğmesine tekrar basın.



**DİKKAT:** Motoru 10 defadan fazla çalıştırmayı denemeyin. 10 defadan sonra tekrar denemeden önce 40 dakika bekleyin.

9. Motor çalıştırıldığında üründen güç kablosunun bağlantısını kesin.
10. Kar küremeye başlamadan önce motoru 30-40 saniye boyunca rölanli devrinde çalıştırın.
11. Motor sıcakken jikleği yavaşça AÇIK konuma getirin. (Şek. 41)

## Ürünü çalıştırma

1. Burgu bağlantısını etkinleştirerek kar küremek için burgu bağlantısını tutma yerine doğru sıkın. (Şek. 44)
2. Ürünü ileriye doğru çalıştırmak için tahrik hızı kontrol kolunu sola doğru hareket ettirin. Ürünü geriye doğru çalıştırmak için tahrik hızı kontrol kolunu sağa doğru hareket ettirin. (Şek. 45)
3. Tahrik kontrolünü sağ tutma yeri ile çalıştırın.
4. Tahrik tekerleklerini devreye sokmak için tahrik kontrolünü tutma yerine doğru sıkın. Ürün, tahrik hızı kontrol kolunun konumuna bağlı olarak ileri veya geri hareket eder. (Şek. 46)

## Ürünü durdurma

**Not:** Acil bir durumda motoru durdurmak için açma/kapama anahtarını çekin.

1. Tahrik tekerleklerini durdurmak için tahrik kontrolünü serbest bırakın.

- Burguyu devre dışı bırakmak ve kar küremeyi durdurmak için burgu bağlantısını serbest bırakın. (Şek. 47)
- Yakıt anahtarını KAPALI konumuna getirin. (Şek. 48)
- Açma/kapama anahtarını dışarı çekin. (Şek. 49)

## İyi sonuç alma

- Motoru her zaman tam gazda veya tam gaza yakın hızda çalıştırın.
- Her zaman ürünün hızını kar durumuna göre uyarlayın ve hızı tahrik hızı kontrol koluna uygun hale getirin. Ürünün eşit oranda kar fırlattığından emin olun.
- Karı yağdıktan hemen sonra temizlemek daha kolay ve verimlidir.

- Mümkünse karı her zaman rüzgar yönünde fırlatın.
- Asfalt yollar gibi düz yüzeylerde destek plakalarını yerden 5-6 mm (0,2-0,25 inç) yükseltin.
- Spatula çubuğu ters çevrilebilir. Yıpranarak neredeyse muhafazanın kenarına ulaştığında ters çevirin. Hasar görmüşse veya her iki tarafı da aşınıyorsa spatula çubuğunu değiştirin.
- Tıkalıysa boru sapırcıyı göndermeyin.
- Ürün öngörülemeyen durumlardan dolayı hareket etmezse tahrik kontrolünü hemen serbest bırakın veya AÇMA/KAPAMA anahtarını "OFF" konumuna getirin.

## Bakım

### Bakım takvimi

Bakım	Günlük	20 saat	50 saat	100 saat
Somun ve vidaların sıkı olduğundan emin olun	X			
Motor yağı seviyesini kontrol edin	X			
Yağı değiştirin <sup>157</sup>		X	X	X
Yakıt veya yağ sızıntısı olmadığından emin olun	X			
Burgudaki tıkanıklığı ve yabancı maddeleri giderin	X			
Lastik basıncını kontrol edin <sup>158</sup>			X	
Bujiyi kontrol edin ve değiştirin <sup>159</sup>				X

**Not:** Dışli kutusuna yağ eklenmesi veya başka bir bakım yapılması gerekmez.

### Genel denetim yapma

- Ürünün üzerindeki tüm somun ve vidaların doğru şekilde sıkıldığından emin olun.

### Yağ seviyesini kontrol etme



**DİKKAT:** Yağ seviyesinin çok düşük olması motora zarar verebilir. Ürünü çalıştırmadan önce yağ seviyesini kontrol edin.

- Ürünü düz bir zemine koyun.
- Takılı daldırma çubuk ölçekle yağ tankı kapağını çıkarın.

<sup>157</sup> İlk 20 saat, 50 saat, 100 saat sonunda ve sonra her 100 saatte bir yağı değiştirin.

<sup>158</sup> Doğru lastik basıncı için Teknik verilere bakın.

<sup>159</sup> Bujiyi her kullanımdan önce kontrol edin ve yılda bir kez temizleyin.

- Yağ çubuğundaki yağı temizleyin.
- Yağ seviyesini doğru bir şekilde belirtmesi için daldırma çubuk ölçüğü tamamen yağ tankına sokun.
- Daldırma çubuk ölçüğü çıkarın.
- Daldırma çubuk ölçekteki yağ seviyesini kontrol edin.
- Yağ seviyesi düşükse motor yağı doldurun ve yağ seviyesini tekrar kontrol edin.

## Motor yağının değiştirilmesi

- Yağı ısıtmak için motoru birkaç dakika çalıştırın. Sıcak yağ daha iyi akar ve daha fazla kirletici madde taşır.



**UYARI:** Motor yağı sıcaktır. Kullanılmış motor yağının cilde temas etmesini önleyin.

- Ürünü düz bir zemine koyun.
- Tüm yakıt bitene kadar motoru çalıştırın.
- Kontak anahtarını çıkarın.
- Yağ boşaltma tapasının altına bir kap koyun.
- Yağ boşaltma tapasını çıkarın, ürünü geriye doğru devirin ve kullanılmış yağı kaba boşaltın. (Şek. 50)
- Ürünü kullanım konumuna geri getirin.
- Yağ boşaltma tapasını takıp elinizle iyice sıkın.
- Motoru yağ doldurun, bkz. *Motoru yağ doldurmak için sayfada: 441.*

## Bujinin kontrol edilmesi



**DIKKAT:** Daima önerilen tipte buji kullanın. Yanlış buji türü ürüne zarar verebilir.

- Motor gücü düşükse, çalıştırılması kolay değilse veya rölantide düzgün bir şekilde çalışmıyorsa bujii kontrol edin.
- Buji elektrotlarında istenmeyen nesne riskini azaltmak için şu talimatlara uyun:
  - Rölanti hızının doğru ayarlandığından emin olun.
  - Yakıt tipinin doğru olduğundan emin olun.
  - Hava filtresinin temiz olduğundan emin olun.
- Buji kirliyse temizleyin ve elektrot boşluğunun doğru olduğundan emin olun, bkz. *Teknik veriler sayfada: 448.* (Şek. 51)
- Gerekirse bujii değiştirin.

## Burguları ve spatula çubuğunu kontrol etmek için

- Her kullanımdan önce burgularda ve spatula çubuğunda aşınma olup olmadığını kontrol edin.
- Spatula çubuğunun kenarı aşınmışsa spatula çubuğunu ters çevirin. Spatula çubuğunun her iki kenarı da hasar görmüş veya aşınmışsa değiştirin.

- Burguların kenarları aşınmışsa değiştirmek için yetkili bir servis merkezi ile iletişim kurun.

## Destek plakalarını ayarlamak için

Destek plakaları kar küreyicinin alt kısmının zarar görmesini önler. Kilitleme somunu (B) gevşediğinde veya destek plakasının yere olan mesafesi doğru olmadığından destek plakalarını (A) ayarlayın. Standart kurulum için ayarlama gerekli değildir.

- Kilitleme somununu (B) 13 mm (½ inç) açıklığında bir anahtarla gevşetin.
- Destek plakalarını (A) yukarı veya aşağı hareket ettirin.
  - Düz yüzeylerde kazıyıcı çubuk ile zemin arasındaki mesafeyi 5-6 mm (0,2-0,25 inç) olarak ayarlayın.
  - Pürüzlü yüzeylerde destek plakalarını (A) kazıyıcı çubuğun zeminin üzerinde kalacağı bir konuma ayarlayın.



**UYARI:** Çakıl ve taşların ürüne girmemesinden emin olun. Yüksek hızda fırlayan nesnelere yaralanmaya neden olabilir.

- Kilitleme somununu (B) sıkın. (Şek. 52)

## Emniyet pimini değiştirme

Emniyet pimi, ürünü hasardan korur. Hareketli parçalara yabancı bir cisim girerse kırılır.

- Emniyet pimi kırılırsa motoru durdurun.
- Yeni bir emniyet pimi (A) ve yeni bir kelepçe yayı (B) takın. (Şek. 53)

## Lastikleri kontrol etmek için

- Lastik malzemesinin zarar görmesini önlemek için lastikleri yakıt, yağ ve kimyasallardan uzak tutun.
- Lastikleri ağaç kökü, taş, çukur, keskin nesne ve lastiklere hasar verebilecek diğer nesnelere uzak tutun.
- Lastik basıncının doğru olmasına dikkat edin, bkz. *Teknik veriler sayfada: 448.*

## Tıkalı bir deşarj borusu sapırcıyı temizleme

Aşağıdaki işlemler yapılmadan önce deşarj borusu sapırcısının tıkanıklığını açmayın.

- Burgu bağlantısını ve tahrik kontrolünü aynı anda serbest bırakın.
- Burguların durduğundan emin olmak için 10 saniye bekleyin.
- Ürünü durdurun.
- Tıkanıklığı temizlemek için temizleme aracını [en az 37 cm (15 inç) uzunluğundadır, bazı modellere dahildir] kullanın.



**UYARI:** Ellerinizi deşarj borusu sapıtıcıya veya burgu kepeşinin içine koymayın.

- Ürünü temizlemek için yüksek basınçlı yıkayıcı kullanmayın.
- Motora doğrudan su tutmayın.
- Yaprak, çim ve kirleri gidermek için fırça kullanın.

## Ürünün temizlenmesi

- Plastik parçaları temiz ve kuru bir bezle temizleyin.

## Sorun giderme

### Sorun giderme

Sorun	Olası neden	Çözüm
Ürün çalışmıyor	Emniyetli kontak anahtarı takılı değil.	Emniyetli kontak anahtarını takın.
	Üründe yakıt bitmiş.	Yakıt tankını temiz ve yeni benzinle doldurun.
	Açma/kapama anahtarı KAPALI.	Açma/kapama anahtarını AÇIK konumuna getirin.
	Jikle KAPALI (CLOSE) konumunda.	Jikle AÇIK (FULL, OPEN) konumuna getirin.
	Isıtıcıya basılmamış.	Isıtıcıya basın.
	Motor boğulmuş.	Tekrar çalıştırmadan önce birkaç dakika bekleyin, ISITMAYIN.  Tam gazdayken ve jikle KAPALI (CLOSE) konumundayken motoru yeniden çalıştırın.
	Buji kablosu bağlı değil.	Kabloyu bujiye bağlayın.
	Buji bozuk.	Bujiyi değiştirin.
	Yakıtta su var veya yakıt çok eski.	Yakıt tankını ve karbüratörü boşaltın. Yakıt tankını temiz ve yeni benzinle doldurun.
	Yakıt hattında sıkışmış buhar var.	Tüm yakıt hattının yakıt tankı ağzının altında olduğundan emin olun. Yakıt hattı, yakıt tankından karbüratöre doğru sürekli olarak çalışmalıdır.
	Diğer nedenler.	Bu kılavuzdaki çalışma prosedürlerini dikkatlice inceleyin.
	Yakıt anahtarı (varsa) KAPALI konumunda.	Yakıt anahtarını AÇIK (ON) konumuna getirin.
Gaz STOP konumunda.	Gazı FAST konumuna getirin.	

Sorun	Olası neden	Çözüm
Azaltılmış güç	Buji kablosu bağlı değil.	Kabloyu bujiye bağlayın.
	Ürün çok fazla kar fırlatıyor.	Hızı düşürün ve temizlenen şeridin genişliğini azaltın.
	Yakıt tankı kapağı buz veya karla kaplanmış.	Yakıt tankı kapağının üstündeki ve etrafındaki karı ve buzu temizleyin.
	Susturucu kirli veya tıkalı.	Susturucuyu temizleyin veya değiştirin.
	Yanlış kablo uzunluğu.	Kabloyu ayarlayın.
	Susturucu tıkanmış.	Motorun soğuk olduğundan emin olun. Tıkanıklığı temizleyin.
	Karbüratörün hava girişi tıkanmış.	Motorun soğuk olduğundan emin olun. Tıkanıklığı temizleyin.
Motor rölantide çalışıyor veya düzgün çalışmıyor	Jikle AÇIK (FULL, OPEN) konumunda.	Jikle KAPALI (CLOSE) konumuna alın.
	Yakıt hattı tıkanmış.	Yakıt hattını temizleyin.
	Yakıtta su var veya yakıt çok eski.	Yakıt tankını ve karbüratörü boşaltın. Yakıt tankını temiz ve yeni benzinle doldurun.
	Karbüratörün değiştirilmesi gerekiyor.	Yetkili bir servis merkeziyle görüşün.
	Kayış esnemiş.	Matkap v-kayışını değiştirin.
Aşırı titreşim / Kol hareketi	Bazı parçalar gevşek. Burgular hasar görmüş.	Tüm sabitleme elemanlarını sıkın. Hasarlı parçaları değiştirin. Titreşim devam ederse yetkili bir servis merkeziyle görüşün.
	Kollar doğru şekilde konumlandırılmamış.	Kolların yerine kilitlendiğinden emin olun.
	Ayar kolu somunları gevşek.	Kol güvenli konuma gelene kadar somunları sıkın.
Kendinden geri dönen marş kolunu çekmek zor	Kendinden geri dönen marş kolu donmuş.	Marştan mümkün olduğunca fazla ipi yavaşça dışarı çekin ve kendinden geri dönen marş kolunu serbest bırakın. Motor çalışmazsa prosedürü tekrarlayın veya elektrikli marş kullanın.
	İp, bileşenleri engelliyor.	Kendinden geri dönen ip hiçbir kabloya ya da hortuma temas etmemelidir.

Sorun	Olası neden	Çözüm
Çekiş tahriki kaybı/tahrik hızının yavaşlaması	Kayış kayıyor.	Kabloyu ayarlayın. Kayışı ayarlayın.
	Kayış aşınmış.	Kayışı kontrol edin/değiştirin.
Kar deşarjı kaybı veya kar deşarjı yavaşlaması	Kayış, makaradan çıkmış.	Kayışı kontrol edin/tekrar takın.
	Boru saptırıcı tıkanmış.	Boru saptırıcıyı temizleyin.
	Yabancı nesnelere burguları tikiyor.	Burgulardaki kirleri veya yabancı nesneyi temizleyin.
	Emniyet pimi kırılmış.	Kırık emniyet pimini değiştirin.
	Palet bileşenleri arasında aşırı kar ve buz birikmiş.	Palet bileşenleri arasındaki kar ve buz birikintisini temizleyin.
	Sürtünme tahrik tekerleği aşınmış.	Yetkili bir servis merkeziyle görüşün.
	Tutma yeri bırakıldıktan sonra burğu dönüşü arızası	Hareket kayışı hizalanmamış.
	Deşarj saptırıcı hizalanmamış.	Deşarj saptırıcıyı ayarlayın.
Işıklar açık değil (donanım varsa)	Motor çalışmıyor.	Motoru başlatın.
	Kablo bağlantısı gevşek.	Motor ve ışıklardaki kablo bağlantılarını kontrol edin.
	LED patlamış.	LED ışık modülünü değiştirin. LED'ler tek tek değiştirilemez.
Boru döndürücü zor hareket ettiriliyor	Boru döndürme mekanizmasında birikinti var.	Boru döndürme mekanizmasının iç parçalarını temizleyin.
	Kablolar bükülmüş veya hasar görmüş.	Kabloların bükülmediğinden emin olun. Hasarlı kabloları değiştirin.
Ürün bir tarafa dönüyor	Lastik basıncı eşit değil.	Lastik basıncını ayarlayın ve lastiği doldurun.
	Ürün yalnızca bir tekerlekle gidiyor.	Lastik kilit pimini kontrol edin.
	Kızak ayarı eşit değil.	Destek plakalarını ve kızığı ayarlayın.
	Destek plakası ayarı eşit değil.	Destek plakalarını ve kızığı ayarlayın.

## Taşıma, depolama ve atma

### Taşıma ve saklama

- Ürün ile yakıtı taşımak ve saklamak için sızıntı veya duman olmadığından emin olun. Örneğin, elektrikli cihazlardan veya kazanlardan kaynaklanan kıvılcım veya açık alevler yangın çıkarabilir.
- Yakıtı taşımak ve saklamak için her zaman onaylı kaplar kullanın.
- Ürünü uzun bir süre için saklama yerine koymadan önce yakıt tankını boşaltın.

- Karbüratör yakıt haznesinde bir tahliye tapası varsa ürünü uzun süre depolamadan önce karbüratördeki yakıtı boşaltın.
- Hasar veya kaza olmasını önlemek için taşıma sırasında ürünü güvenli bir şekilde bağlayın.
- Çocukların veya yetkili olmayan kişilerin erişmesini önlemek için ürünü kilitleti bir alanda tutun.
- Ürünü kuru ve donmayan bir yerde tutun.

### Atma

- Yerel gerekliliklere ve geçerli düzenlemelere uyun.

- Motor yağı veya yakıt gibi kimyasalları servis merkezinde veya uygun bir atık noktasında atın.

- Ürünü onaylı bir atık konumunda atın veya atılmak üzere Husqvarna'ya gönderin.

## Teknik veriler

### Teknik veriler

	ST 124
<b>Boyutlar</b>	
Boş tanklarla birlikte ağırlık, kg	76
Maksimum lastik çalışma basıncı, PSI	20
Giriş yüksekliği, cm	53,3
Çalışma genişliği, cm	61
<b>Motor</b>	
Marka	Husqvarna
Nominal motor çıkış gücü, kW	4.3
Yer değiştirme, cc	212
Yakıt tipi	Kurşunsuz normal (maksimum %10 etanol)
Yakıt kapasitesi, gal/l	0,58/2,2
Yağ tipi (API SJ-SN)	SAE 5W30 (0°C'nin altında (32°F))
Yağ kapasitesi, fl. oz./l	20/0,6
<b>Elektrik sistemi</b>	
Buji	F7RTC
Buji elektrot boşluğu, (inç/mm)	0,027-0,031/0,7-0,8
<b>Gürültü yayma</b> <sup>160</sup>	
Ses gücü düzeyi, ölçülmüş dB(A)	100
Ses düzeyi, L <sub>WA</sub> dB(A) garantili	102
<b>Ses seviyeleri</b> <sup>161</sup>	
Operatörün kulağındaki ses basıncı düzeyi, ölçülen L <sub>PA</sub> dB (A)	86
<b>Titreşim seviyeleri, a<sub>hveq</sub></b> <sup>162</sup>	
Tutma yeri üzerindeki titreşim seviyesi, sol/sağ	4,15/4,08

<sup>160</sup> 2000/14/AT ve 2005/88/AT sayılı AT direktifleri uyarınca ses gücü (L<sub>WA</sub>) olarak çevrede ölçülen gürültü emisyonları. Gürültü emisyonları için bildirilen verilerdeki tipik istatistik dağılımı (standart sapma) 1,5 dB (A) şeklindedir. Belirsizlik=1,5 dB (A)

<sup>161</sup> EN ISO 11201'e göre ses basıncı düzeyi. Ses basıncı düzeyi için bildirilen verilerdeki tipik istatistik dağılımı (standart sapma) 1,5 dB (A) şeklindedir. Belirsizlik=1,5 dB (A)

<sup>162</sup> ISO 8437-4 Ek B uyarınca titreşim seviyesi. Belirsizlik=1,5 m/sn<sup>2</sup>



# AT Uyumluluk Bildirimi

## AB UYUMLULUK BİLDİRİMİNİN İÇERİĞİ

Husqvarna, SE-561 82 Husqvarna, İSVEÇ olarak, sunulan ürünün tek sorumlusu olma vasfıyla aşağıdaki beyanlarda bulunmaktayız:

Açıklama	Kar küreyici
Marka	Husqvarna
Platform / Tür / Model	ST 124
Parti	2020 ve daha ileri tarihli seri numaraları

aşağıdaki AB direktifleri ve düzenlemeleriyle tamamen uyumludur:

Direktif/Düzenleme	Açıklama
2006/42/AT	"makinelere ilgili"
2014/30/AB	"elektromanyetik uyumlulukla ilgili"
2000/14/AT; 2005/88/AT	"açık alanda gürültüyle ilgili"
2011/65/AB	"belirli tehlikeli maddelerin kısıtlanmasıyla ilgili"

Uygulanan uyumlaştırılmış standartlar ve/veya teknik özellikler şu şekildedir: EN ISO 12100:2010, EN ISO 14982:2009, ISO 8437-1:2019, ISO 8437-2:2019, ISO 8437-4:2019, ISO 3744:1995, EN 1032:2003+A1:2008, EN 50581:2012

2000/14/AT+2005/88/AT direktifi Ek V uyarınca beyan edilen ses değerleri, bu kılavuzun teknik veriler kısmında ve imzalı AT Uyumluluk Bildirimi'nde belirtilmiştir.

Verilen kar küreyici, incelemeyen geçmiş örneklerle uyumludur.

Husqvarna AB, SE-561 82 Huskvarna, İSVEÇ adına,  
07.02.2020



Claes Losdal

AB kapsamında belirlenen teknik dosyaları derlemekten sorumlu kişi

---

## Зміст

---

Вступ.....	450	Усунення несправностей.....	462
Безпека.....	451	Транспортування, зберігання й утилізація.....	465
Збирання.....	456	Технічні дані.....	465
Експлуатація.....	457	Декларація відповідності ЄС.....	467
Технічне обслуговування.....	459		

---

## Вступ

---

### Огляд виробу

(Мал. 1)

1. Увімкнення шнека
2. Важіль керування швидкістю обертання привода
3. Панель керування
4. Кабель шнека
5. Ручка керування поворотним пристроєм жолоба
6. Дефлектор викидного жолоба
7. Інструмент для очищення
8. Корпус шнека
9. Бури
10. Захисна пластина
11. Шина
12. Отвір для заливання оливи
13. Двигун
14. Нижня ручка
15. Шток регулятора швидкості обертання привода
16. Кабель привода
17. Ручка ручного стартера
18. Увімкнення привода
19. Руків'я руля
20. Пристрій ручного підкачування.
21. Дросельна заслінка
22. Перемикач палива
23. Ключ увімкнення/вимкнення
24. Посібник користувача

### Опис виробу

Цей виріб є сніговідкидачем, що використовується для прибирання снігу з землі.

### Правильне використання

Цей виріб може використовуватися для прибирання снігу з полів, автодоріг, пішохідних доріг і під'їзних доріг. Не використовуйте його на схилах, кут нахилу яких перевищує 15°. Не використовуйте виріб у місцях, де є багато сміття, бруду та виступаючих каменів.

### Symbols on the product

---

**Зверніть увагу:** If the decals on the product are damaged, contact the distributor to replace them.

---

- (Мал. 2) Warning.
- (Мал. 3) Read the operator's manual.
- (Мал. 4)
- (Мал. 5) Hot surface.
- (Мал. 6) Risk of fire.
- (Мал. 7) Choke.
- (Мал. 8) Pull starter rope handle.
- (Мал. 9) Do not breathe in the exhaust fumes from the engine.
- (Мал. 10) Do not put any part of the body into the chute deflector or the auger housing when the augers rotate.
- (Мал. 11) Stop the engine before you remove snow from the chute deflector. Use the clean-out tool to remove snow, do not do it by hand.
- (Мал. 12)
- (Мал. 11) Keep hands away from the chute deflector.
- (Мал. 13) Objects can be ejected from the product.
- (Мал. 14) Keep bystanders away from the product when operating.
- (Мал. 15) Remove key before maintenance.
- (Мал. 16) Push in the on/off key to the RUN position.
- (Мал. 17) Turn the fuel switch to the ON position.
- (Мал. 18) Push the primer.
- (Мал. 19) Risk of falling.

- (Мал. 20) Move slowly rearward.
- (Мал. 21) Use approved protective gloves.
- (Мал. 22) Use a protective helmet. Use approved hearing protection. Use approved eye protection.
- (Мал. 23) Noise emissions to the environment according to European Directive 2000/14/EC and New South Wales legislation "Protection of the Environment Operations (Noise Control) Regulation 2017". Noise emission data can be found on the machine label and in the Technical data chapter.
- (Мал. 24) European machinery directive for safety.

**Зверніть увагу:** Other symbols/decals on the product refer to certification requirements for some markets.

## Відповідає вимогам європейського екологічного стандарту Євро-5



**ПОПЕРЕДЖЕННЯ:** Внесення змін у двигун позбавляє чинності сертифікацію ЄС для цього виробу.

## Безпека

### Визначення щодо безпеки

Визначення, наведені нижче, пояснюють рівень серйозності кожного сигнального слова.



**ПОПЕРЕДЖЕННЯ:** Небезпека травми для людини.



**УВАГА:** Небезпека пошкодження виробу.

**Зверніть увагу:** Ця інформація спрощує використання виробу.

### Правила безпечної роботи зі сніговідкидачами, що керуються пішими операторами

#### Загальне

Під час роботи із цим пристроєм існує ризик травматичної ампутації руки або ноги чи травм через об'єкти, що відлітають із-під лез. Недотримання наведених далі інструкцій із техніки безпеки може призвести до серйозних травм.

#### Навчання

## Виробник

Husqvarna AB

Drottninggatan 2, SE-561 82 Huskvarna

## Відповідальність за якість продукції

Згідно із законом про відповідальність за якість продукції ми не несемо відповідальності за будь-які пошкодження, спричинені роботою наших виробів, якщо:

- виріб було неправильно відремонтовано;
- виріб було відремонтовано із використанням деталей, виготовлених не виробником або не затверджених ним;
- виріб обладнано аксесуаром, виготовленим не виробником або не затвердженим ним;
- виріб було відремонтовано в неавторизованому сервісному центрі або неавторизованою компанією;

- Перш ніж починати експлуатацію, прочитайте, усвідомте й виконайте всі вказівки, зазначені на виробі й у цих посібниках. Уважно ознайомтеся із принципами роботи засобів керування та належного користування інструментом. Запам'ятайте, як швидко зупинити виріб і розчепити засоби керування.
- Ніколи не дозволяйте дітям використовувати інструмент. Ніколи не дозволяйте дорослим використовувати пристрій без належного інструктажу.
- На робочій ділянці не має бути сторонніх осіб, особливо маленьких дітей.
- Будьте обережні, щоб не поскокзнутися й не впасти, особливо за використання пристрою на задньому ході.

#### Підготовка

- Ретельно перевірте зону, в якій використовуватиметься пристрій, і приберіть килимки, санки, дошки, проводи й інші сторонні предмети.
- Розчепіть усі зчеплення й переведіть двигун (мотор) на нейтраль, перш ніж запускати його.
- Не використовуйте пристрій, не надівши відповідний зимовий одяг. Не надягайте просторий одяг, який може потрапити в рухомі деталі. Під час роботи носіть взуття, яке покращує зчеплення зі слизькими поверхнями.

- Під час експлуатації, налаштування або ремонту завжди носіть захисні окуляри або щитки, щоб захистити очі від потрапляння сторонніх предметів, які можуть бути відкинуті машиною.
  - Будьте обережні під час роботи з паливом: воно надзвичайно легкозаймисте.
    - Використовуйте сертифікований паливний бак.
    - Не додавайте паливо, якщо двигун гарячий або працює.
    - Заповнюйте паливний бак надворі та будьте дуже обережні під час заповнення. Не заповнюйте паливний бак у приміщенні.
    - Не наповнюйте каністри всередині транспортних засобів, на вантажівках або платформах причепів із пластиковим покриттям. Перед наповненням завжди ставте каністри на землю на відстані від транспортного засобу.
    - Якщо це доцільно, знімайте бензинове обладнання з вантажівки або причепу й заправляйте його на землі. Якщо це не можливо, заправляйте таке обладнання з переносної каністри на причепі, а не з заправного пістолета.
    - Завжди притискайте сопло пістолета до ободка отвору паливного бака або каністри, доки заправлення не буде завершено. Не користуйтеся механізмом блокування пістолета.
    - Міцно закручіть кришки посудин із бензином і витирайте паливо, що пролилося.
    - Якщо паливо потрапило на одяг, його необхідно негайно змінити.
  - Використовуйте подовжувальні шнури й розетки, вказані виробником для всіх пристроїв із пусковими електродвигунами.
  - Для очищення поверхонь, вкритих гравієм чи щебенем, відрегулюйте висоту корпусу снігозбірника.
  - Не намагайтеся налаштувати пристрій, якщо двигун (мотор) працює (за винятком ситуацій, коли це рекомендовано виробником).
- пошкоджень та усуньте пошкодження перед його повторним запуском та експлуатацією.
- Якщо сніговідкидач починає незвично вібрувати, зупиніть двигун (мотор) і негайно з'ясуйте причину. Зазвичай вібрація свідчить про несправність.
  - Зупиняйте двигун (мотор) кожного разу, коли залишаєте місце оператора, збираєтесь прочитати корпус снігозбірника/крильчатки чи викидного жолоба або плануєте виконувати ремонт, регулювання чи перевірку.
  - Не допускайте роботи двигуна в приміщенні, за винятком випадків, коли ви запускаєте його, і для виведення сніговідкидача на вулицю чи в приміщення з вулиці. Відкрийте двері на вулицю – вихлопні гази небезпечні.
  - Будьте вкрай обережні, працюючи на схилах.
  - Не експлуатуйте пристрій, якщо захисні та інші запобіжні пристрої знято або вимкнено.
  - Не перенавантажуйте викидний жолоб на людей або місця, де це може призвести до пошкодження майна. Тримайте дітей та інших осіб подалі від сніговідкидача.
  - Не перенавантажуйте машину, намагаючись очистити сніг надто швидко.
  - Не розвивайте високу швидкість на слизьких поверхнях. Дивіться назад і будьте обережні, коли рухаєтесь в зворотному напрямку.
  - Розчеплюйте ланцюги живлення снігозбірника/крильчатки, коли пристрій не використовується або під час транспортування.
  - Використовуйте лише приладдя й аксесуари (наприклад, колісні ваги, противаги, кабіни тощо), схвалені виробником пристрою.
  - Не використовуйте пристрій за недостатньої видимості або за слабого освітлення. Завжди твердо стійте на ногах і міцно тримайте ручки приладу. Пересувайтеся повільно, не біжіть під час роботи.
  - Не торкайтеся гарячого двигуна або глушника.

#### **Очищення забитого дефлектора викидного жолоба**

- Контакт руки із крильчаткою, що обертається, всередині викидного жолоба – найчастіша причина травм, що виникають під час експлуатації сніговідкидачів. Ніколи не намагайтеся очистити викидний жолоб рукою.
- Щоб очистити викидний жолоб, виконайте наведені нижче дії.
  1. ВИМКНІТЬ ДВИГУН!
  2. Почекайте 10 секунд, доки леза крильчатки не зупинять обертання.
  3. Для очищення завжди використовуйте інструмент (не робіть цього руками).

#### **Технічне обслуговування та зберігання**

- Регулярно перевіряйте надійність установлення різних та інших болтів, щоб бути впевненим, що

#### **Експлуатація**

- Не розташовуйте руки та ноги поруч із частинами, що обертаються, або під ними. Не допускайте закупорювання отвору для викидання скошеної трави.
- Будьте надзвичайно обережні, коли очищуєте або переходите доріжки чи дороги, укриті гравієм. Звертайте увагу на можливі приховані перешкоди або фактори небезпеки під час роботи біля доріг загального призначення.
- Після удару об сторонній предмет зупиніть двигун (мотор), витягніть провід із свічки запалювання, від'єднайте шнур на електродвигунах, ретельно перевірте сніговідкидач на відсутність

обладнання перебуває в робочому стані та є безпечним.

- Ніколи не зберігайте пристрій з паливом у паливному баку в приміщенні, в якому наявні джерела запалювання, наприклад водонагрівачі, обігрівачі, сушарки для одягу тощо. Дайте двигуну охолонути, перш ніж ставити машину на зберігання в закриті приміщення.
- Якщо сніговідкидач буде зберігатися протягом тривалого часу, див. посібник з експлуатації по важливі відомості про таке зберігання.
- За потреби очищуйте або замінійте наклейки з інформацією щодо техніки безпеки.
- Після відкидання снігу дайте пристрою попрацювати кілька хвилин, щоб попередити заморожування снігозбирника/крильчатки.
- Під час чищення, ремонту або перевірки сніговідкидача зупиніть двигун і переконайтеся в тому, що снігозбирник/крильчатка й усі рухомі частини зупинилися. Від'єднайте провід свічки запалювання та тримайте його подалі від свічки, щоб запобігти випадковому запуску двигуна.

## Загальні правила техніки безпеки

- Використовуйте виріб правильно. Неправильне використання може призвести до травм або смерті. Використовуйте виріб лише для завдань, перелічених у цьому посібнику. Забороняється використовувати продукт для інших завдань.
- Дотримуйтеся інструкцій, наведених у цьому посібнику. Дотримуйтеся інструкцій, зазначених на попереджувальних знаках та в правилах техніки безпеки. Недотримання оператором інструкцій, зазначених на попереджувальних знаках та в правилах техніки безпеки, може призвести до травм, пошкоджень або смерті.
- Не викидайте цей посібник. Користуйтеся інструкціями для монтажу, експлуатації та підтримки виробу в задовільному стані. Користуйтеся інструкціями для правильного встановлення насадок та приладдя. Використовуйте лише сертифіковані насадки та приладдя.
- Не користуйтеся пошкодженим виробом. Дотримуйтеся графіка технічного обслуговування. Виконуйте лише те обслуговування, для якого наведені інструкції в цьому посібнику. Все інше обслуговування повинне виконуватися в авторизованому сервісному центрі.
- Цей посібник не включає всі ситуації, що можуть статися під час використання виробу. Будьте обережні та дотримуйтеся здорового глузду. Не експлуатуйте виріб та не виконуйте технічне обслуговування в разі, якщо ви не можете розібратися в поточній ситуації. Більш детальну інформацію можна дізнатися в експерта з продукції, вашого дилера, центрі обслуговування або в авторизованому сервісному центрі.
- Перед монтажем, зберіганням або технічним обслуговуванням необхідно виймати свічку запалювання.
- Не використовуйте виріб у разі зміни його початкових технічних характеристик. Не замінюйте деталі виробу без дозволу виробника. Використовуйте лише сертифіковані виробником деталі. Неправильне технічне обслуговування може призвести до травм або смерті.
- Не вдихайте вихлопні гази, що виходять з двигуна. Тривале вдихання вихлопних газів двигуна може бути небезпечним для здоров'я.
- Не вмикайте виріб у приміщенні чи біля легкозаймистих матеріалів. Вихлопні гази мають високу температуру та можуть містити іскри, від яких можливе загоряння. Недостатнє провітрювання може призвести до травм або смерті внаслідок задухи чи отруєння монооксидом вуглецю.
- Під час використання виробу двигун створює електромагнітне поле. Електромагнітне поле може пошкодити медичні імпланти. Перш ніж працювати з цим приладом, проконсультуйтеся з лікарем і виробником медичного імплантату.
- Не давайте використовувати прилад дітям. Не давайте використовувати прилад особам, що не ознайомилися з інструкціями.
- Завжди спостерігайте за особами з обмеженими фізичними чи розумовими можливостями, що використовують виріб. Біля виробу, що працює, повинна завжди знаходитися відповідальна доросла особа.
- Зачинайте виріб у місці, куди не зможуть отримати доступ діти та особи, що не мають належної підготовки для використання виробу.
- З під виробу можуть викидатися предмети, що може призвести до травм. Для зменшення ризику травм або смерті дотримуйтеся правил техніки безпеки.
- Не відходьте далеко від працюючого виробу.
- Відповідальність за нещасний випадок несе оператор.
- Перед тим, як починати рух назад, та під час руху назад слід дивитися назад і вниз, щоб не впасти через маленьких дітей, тварин або через інші ризики.
- Перед використанням виробу переконайтеся, що його деталі не мають пошкоджень.
- Перед використанням виробу переконайтеся, що ви знаходитесь на відстані не менше 15 м від інших осіб або тварин. Переконайтеся, що особа на прилеглий території знає, що ви збираєтесь використовувати виріб.
- Дотримуйтеся державного та місцевого законодавства. Норми законодавства можуть забороняти або обмежувати використання виробу в деяких умовах.

## Навчання

- Перш ніж починати експлуатацію, прочитайте, усвідомте й виконайте всі вказівки, зазначені на виробі й у цих посібниках. Уважно ознайомтеся із принципами роботи засобів керування й належного користування обладнанням. Запам'ятайте, як швидко зупинити виріб і розчепити засоби керування.
- Ніколи не дозволяйте дітям використовувати обладнання. Ніколи не дозволяйте дорослим використовувати обладнання без належного інструктажу.
- На робочій ділянці не має бути сторонніх осіб, особливо маленьких дітей.
- Будьте обережні, щоб не посковзнутися й не впасти, особливо за використання сніговидкидача на задньому ході.

## Правила техніки безпеки під час використання

- Не розташуйте руки та ноги поруч із частинами, що обертаються, або під ними. Не допускайте закупорювання отвору для викидання скошеної трави.
- Будьте надзвичайно обережні, коли очищуєте або переходите доріжки, проходи чи дороги, укриті гравієм. Звертайте увагу на можливі приховані перешкоди, а також на рух дорожнього транспорту.
- Після удару об сторонній предмет зупиніть двигун (мотор), витягніть провід зі свічки запалювання, від'єднайте шнур на електродвигунах, ретельно перевірте виріб на відсутність пошкоджень та усуньте пошкодження перед повторним запуском й експлуатацією продукту.
- Якщо виріб починає незвично вібрувати, зупиніть двигун (мотор) і негайно з'ясуйте причину. Зазвичай вібрація свідчить про несправність.
- Зупиняйте двигун (мотор) кожного разу, коли ви залишаєте місце оператора, збираєтесь прочищати корпус шнека або дефлектор викидного жолоба або плануєте виконувати ремонт, регулювання чи перевірку.
- Під час чищення, ремонту або перевірки виробу зупиніть двигун і переконайтеся в тому, що шнеки та всі рухомі частини зупинилися. Від'єднайте провід свічки запалювання та тримайте його подалі від свічки, щоб запобігти випадковому запуску двигуна.
- Не допускайте роботи двигуна в приміщенні, за винятком випадків, коли ви запускаєте його, і роботи для виведення виробу на вулицю чи в приміщення з вулиці. Відкрийте двері на вулицю – вихлопні гази небезпечні.
- Будьте вкрай обережні, працюючи на схилах.
- Не експлуатуйте виріб, якщо захисні та інші запобіжні пристрої знято або вимкнено.

- Не направляйте дефлектор викидного жолоба на людей або місця, де це може призвести до пошкодження майна. Тримайте дітей та інших осіб подалі від сніговидкидача.
- Не перенавантажуйте виріб, намагаючись очистити сніг надто швидко.
- Не розвивайте високу швидкість на слизьких поверхнях. Дивіться назад і будьте обережні, коли рухаєтеся в зворотному напрямку.
- Розчеплюйте ланцюги живлення шнека, коли виріб не використовується, або під час транспортування.
- Використовуйте лише приладдя й аксесуари (наприклад, колісні ваги, противаги, кабіни тощо), схвалені виробником виробу.
- Не використовуйте виріб за недостатньої видимості або за слабкого освітлення. Завжди твердо стійте на ногах і міцно тримайте ручки приладу. Пересувайтеся повільно, не біжіть під час роботи.
- Не торкайтеся гарячого двигуна або глушника.

## Безпека в робочій зоні

- Ретельно перевірте зону, в якій буде використовуватися обладнання, і приборіть килимки, санки, дошки, проводи й інші сторонні предмети.
- Розчепіть усі зчеплення й переведіть двигун (мотор) на нейтраль, перш ніж запускати його.
- Не використовуйте виріб, не надівши відповідний зимовий одяг. Не надягайте просторий одяг, який може потрапити в рухомі деталі. Під час роботи носіть взуття, яке покращує зчеплення зі слизькими поверхнями.
- Будьте обережні під час роботи з паливом: воно надзвичайно легкозаймисте.
  - Використовуйте сертифікований паливний бак.
  - Не додавайте паливо, якщо двигун гарячий або працює.
  - Заповнюйте паливний бак надворі та будьте дуже обережні під час заповнення. Не заповнюйте паливний бак у приміщенні.
  - Не наповнюйте каністри всередині транспортних засобів, на вантажівках або платформах причепів із пластиковим покриттям. Перед наповненням завжди ставте каністри на землю на відстані від транспортного засобу.
  - Якщо це доцільно, знімайте бензинове обладнання з вантажівки або причепу й управляйте його на землі. Якщо це не можливо, управляйте таке обладнання з переносної каністри на причепі, а не з запального пістолета.
  - Завжди притискайте сопло пістолета до ободка отвору паливного бака або каністри, доки заправлення не буде завершено. Не

користуйтеся механізмом блокування пістолета.

- Міцно закручіть кришки посудин із бензином і витирайте паливо, що пролилося.
- Якщо паливо потрапило на одяг, його необхідно негайно змінити.
- Використовуйте подовжувальні шнури та розетки, вказані виробником для всіх пристроїв із привідними електродвигунами або пусковими електродвигунами.
- Для очищення поверхонь, вкритих гравієм чи щабелем, відрегулюйте висоту корпусу шнека.
- Не намагайтеся налаштувати пристрій, якщо двигун (мотор) працює (за винятком ситуацій, коли це рекомендовано виробником).
- Під час експлуатації, налаштування або ремонту завжди носіть захисні окуляри або щитки, щоб захистити очі від потрапляння сторонніх предметів, які можуть бути відкинуті машиною.

### Засоби індивідуального захисту

Під час експлуатації виробу завжди використовуйте відповідні засоби індивідуального захисту. До них відносяться, як мінімум, міцне взуття, засоби захисту очей і захисні навушники. Засоби індивідуального захисту не можуть повністю запобігти небезпеці отримання травм, але в разі нещасного випадку вони знизять ступінь серйозності травми.

- Завжди носіть захисні окуляри або засоби захисту очей під час експлуатації виробу або виконання будь-яких робіт з обслуговування або ремонту.
- Під час експлуатації виробу завжди використовуйте відповідний зимовий одяг.
- Під час експлуатації виробу використовуйте міцне взуття з нековзною підшоивою та з надійною фіксацією гомілок.
- Не надягайте просторий одяг, який може потрапити в рухомі деталі.
- За необхідності використовуйте затвержені захисні рукавиці. Наприклад, під час монтажу, огляду або очищення леза.
- Під час експлуатації виробу завжди користуйтеся відповідними засобами захисту органів слуху. Довготривалий вплив шуму може призвести до втрати слуху.

### Безпечні механізми на пристрої

- Технічне обслуговування виробу має проводитися регулярно.
  - Строк служби виробу збільшується.
  - Небезпека виникнення нещасних випадків зменшується.

Регулярний огляд, регулювання або ремонт виробу повинен проводитися авторизованим дилером або сервісним центром.

- Не використовуйте виріб з пошкодженим захисним спорядженням. У разі пошкодження

виробу, зверніться до авторизованого сервісного центру.

### Глушник

Глушник зменшує рівень шуму та відводить вихлопні гази подалі від оператора.

Не використовуйте виріб із пошкодженим глушником або взагалі без глушника. В разі пошкодження глушника збільшується рівень шуму та підвищується небезпека загоряння.



**ПОПЕРЕДЖЕННЯ:** Під час роботи виробу та відразу після роботи, а також під час роботи двигуна на холостих обертах глушник сильно нагрівається. Зважайте на легкозаймисті матеріали та/або випари, щоб не допустити пожежі.

### Заходи безпеки під час роботи з паливом



**ПОПЕРЕДЖЕННЯ:** Перш ніж розпочати використання виробу, уважно прочитайте наведені нижче попередження.

- Не запускайте виріб, якщо на ньому залишилося пальне або моторна олива. Приберіть непотрібне пальне/оливу та дайте виробу просохнути.
- Якщо ви пролили пальне на свій одяг, негайно переодягніться.
- Не допускайте потрапляння пального на тіло, адже це може призвести до травм. Для видалення пального, що потрапило на тіло, використовуйте мило та воду.
- Не запускайте виріб у разі наявності протікання у двигуні. Регулярно перевіряйте двигун на протікання.
- Будьте обережні при поводженні з паливом. Пальне є легкозаймистою речовиною, а його пари вибухонебезпечні та можуть призвести до травм або смерті.
- Не вдихайте вихлопні гази, це може призвести до травм. Забезпечте належне провітрювання.
- Не паліть біля пального або двигуна.
- Не кладіть біля пального або двигуна теплі предмети.
- Не доливайте пальне в працюючий виріб.
- Перед заправленням переконайтеся, що двигун охолонув.
- Перед заправленням повільно відкрийте кришку паливного бака, обережно зменшивши тиск.
- Не заправляйте виріб у приміщенні. Недостатнє провітрювання може призвести до травм або смерті внаслідок задухи чи отруєння монооксидом вуглецю.
- Затягуйте кришку паливного бака повністю. Якщо кришку паливного бака не затягнуто, існує ризик виникнення пожежі.

- Перед запуском пересуньте виріб щонайменше на 3 м від місця, де ви заправляли його.
- Не заповнюйте паливний бак повністю. Під впливом високої температури паливо розширюється. Залиште трохи вільного місця вгорі бака.

### Попередження щодо хімічної небезпеки



**ПОПЕРЕДЖЕННЯ:** Вихлоп двигуна цього виробу містить хімічні речовини, які за даними штату Каліфорнія викликають рак, вроджені дефекти або інші захворювання репродуктивної системи. Докладнішу інформацію див. на веб-сайті [www.P65Warnings.ca.gov](http://www.P65Warnings.ca.gov).

### Правила техніки безпеки під час обслуговування



**ПОПЕРЕДЖЕННЯ:** Перш ніж розпочати використання виробу, уважно прочитайте наведені нижче попередження.

- Вихлопні гази з двигуна містять монооксид вуглецю – отруйний і дуже небезпечний газ без

запаху. Забороняється заводити виріб у приміщенні чи в замкнутому просторі.

- Перед тим, як почати технічне обслуговування виробу, вимкніть двигун та від'єднайте провід запалювання від свічки запалювання.
- Під час технічного обслуговування лез використовуйте захисні рукавиці. Леза є дуже гострими, ними можна легко порізатися.
- Встановлення аксесуарів, виготовлених не виробником, або внесення змін, не затверджених ним, може призвести до серйозної травми чи смерті. Вносити зміни в виріб забороняється. Використовуйте лише сертифіковані виробником аксесуари.
- Якщо не проводити правильне та регулярне технічне обслуговування, виникає небезпека травм та пошкодження виробу.
- Виконуйте лише ті роботи з технічного обслуговування, які наведені в цьому посібнику користувача. Будь-які інші види обслуговування проводяться в авторизованому центрі обслуговування.
- Регулярне обслуговування виробу може проводити авторизований центр обслуговування.
- Замінійте пошкоджені, зношені або зламані деталі.

## Збирання



**ПОПЕРЕДЖЕННЯ:** Перед збиранням виробу уважно прочитайте розділ про правила техніки безпеки.

### Установлення ручок

1. Витягніть 4 фланцеві болти M8x25 (A) із корпусу.
2. Вам знадобляться 4 фланцеві болти M8x25 (A), 4 пружинні прокладки (B) і 4 плоскі прокладки (C).
3. Установіть нижню ручку (D) у 2 отвори з обох боків корпусу. (Мал. 25)
4. Вам знадобляться 3 болти для кріплення ручок M8x50 (A), 3 прокладки (B), 3 фіксувальних головки (C) ручки й 3 контргайки (D).
5. Установіть верхню частину ручки з панеллю керування (E) на нижню частину ручки. (Мал. 26)

### Збирання дефлектора викидного жолоба

1. Витягніть поворотний диск (B) і 6 шестигранних фланцевих болтів (D) із корпусу.
2. Установіть поворотний диск (B) і дефлектор (A) викидного жолоба на опору жолоба з використанням 3 упорів (C).
3. За допомогою 6 шестигранних фланцевих болтів (D) і 6 контргайок (E) зафіксуйте упори (C). (Мал. 27)

### Збирання поворотного пристрою жолоба

1. Зберіть передню частину поворотного пристрою жолоба.
2. Установіть пластикову втулку (B) в передній край поворотного пристрою жолоба.
3. Прикріпіть поворотний пристрій жолоба з використанням 1 плоскої прокладки (A) та 1 шпильки (C). (Мал. 28)
4. Зберіть задню частину поворотного пристрою жолоба.
5. За допомогою 1 контргайки M8 (A), 1 пластикового фіксатора (B) ручки, 2 вигнутих прокладок (C) та 1 вирівнювального гвинта (D) зберіть поворотний пристрій жолоба.
6. За допомогою 1 шестигранної гайки M8 (E) закріпіть поворотний пристрій (F) жолоба в отворах ручки. (Мал. 29)

### Збирання штока регулятора швидкості обертання привода

1. Установіть довгий зігнутий кінець штока (A) регулятора швидкості обертання привода в панель керування й закріпіть його за допомогою 1 пружини (B) шатуна, 1 плоскої прокладки (C) та 1 шплінта (D). (Мал. 30)



- Підійміть зсувну з'єднувальну пластину (B) і встановіть короткий зігнутий кінець штока (A) регулятора швидкості обертання привода. Закріпіть шток (A) регулятора швидкості обертання привода за допомогою 1 плоскої прокладки (C) та 1 шплінта (D). (Мал. 31)
- За потреби збільште довжину штока регулятора швидкості обертання привода. Послабте контргайки стяжного замка та оберніть його. Затягніть стяжний замок, установивши його у вихідне положення, щоб відрегулювати швидкість. Вихідне положення промарковане на різьбі. (Мал. 32)

## Збирання шнека й кабелів привода

- Витягніть 2 кабельних болти (B) з кабелів (D).
- Установіть 2 кабельних болти (B) в отвори у лівій і правій ручках (A). (Мал. 33)
- Прикріпіть кабелі (D) до кабельних болтів (B).
- Установіть і зафіксуйте різьбову вставку лівого й правого кабелів (D) і кабельний болт (B) таким чином, щоб верхній край латунної контргайки (C) був розташований на рівні позначки на різьбі (E).
- Закріпіть кабелі латунною контргайкою (C).

## Експлуатація



**ПОПЕРЕДЖЕННЯ:** Перш ніж експлуатувати виріб, ознайомтеся з розділом про заходи безпеки та з інструкціями з експлуатації.



**УВАГА:** Не використовуйте бензин з октановим числом менше 90 RON із Північної Америки (87 (R+M)/2 у Північній Америці). Це може призвести до пошкодження виробу.

### Перед початком роботи з виробом

- Сторонні особи й тварини повинні перебувати на безпечній відстані від робочої зони.
- Здійсніть щоденний технічний огляд. Див. *Графік технічного обслуговування на сторінці 459.*
- Переконайтеся в тому, що провід запалювання правильно з'єднано зі свічкою запалювання.
- За необхідності додайте оливу або бензин. Див. *Залийте оливу в двигун на сторінці 457.*

### Залийте оливу в двигун



**УВАГА:** Не повертайте вимірювальний стрижень під час перевірки рівня оливи. Не заповнюйте вище відмітки.

- Зніміть кришку отвору для заливання оливи та витріть вимірювальний стрижень. Розташування вимірювального стрижня див. у *Огляд виробу на сторінці 450.*
- Долійте оливу до верхньої відмітки на вимірювальному стрижні. Використовуйте вимірювальний стрижень, щоб регулярно перевіряти рівень оливи.
- Закрийте бак для оливи кришкою.

### Заправлення паливом

Якщо є можливість, використовуйте бензин з низьким рівнем викидів/бензин-алклат. Якщо можливості використовувати бензин із низьким рівнем викидів/бензин-алклат немає, використовуйте якісний неетилований бензин. Використовуйте бензин з октановим числом 90 (дослідницьке октанове число (RON)) із Північної Америки (87 (R+M)/2 у Північній Америці) або вищим, із вмістом етанолу не вище 10 % (E10).

- Повільно відкрутіть кришку паливного бака, щоб вивільнити тиск.
- Повільно влийте пальне з канистри. У разі проливання пального витріть його ганчіркою або дайте йому висохнути.
- Витріть поверхню біля кришки паливного бака.
- Затягуйте кришку паливного бака повністю. Якщо кришку паливного бака не затягнуто, існує ризик виникнення пожежі.
- Перед запуском пересуньте виріб на 3 м від місця, де ви заправляли його.

### Регулювання положення дефлектора викидного жолоба

НАПРЯМОК відкидання снігу регулюється за допомогою ручки керування поворотним пристроєм жолоба, яка встановлюється на ліву ручку.

- Оберніть ручку керування поворотним пристроєм жолобу й простежте за зміненням напрямку викидання снігу.
- Обертайте ручку керування поворотним пристроєм жолобу за годинниковою стрілкою для викидання снігу праворуч.
- Обертайте ручку керування поворотним пристроєм жолобу проти годинникової стрілки для викидання снігу ліворуч. (Мал. 34)
- Посуньте дефлектор кута вгору або вниз, щоб відрегулювати відстань викидання снігу. (Мал. 35)

### Запуск двигуна

- Відпустіть зчеплення привода. Переведіть важіль керування швидкістю обертання привода в перше положення.

2. Переведіть перемикач палива в положення ON (Увімк.). (Мал. 36)
3. Поверніть заслінку в положення CLOSE (Закрити). (Мал. 37)
4. Переведіть ключ увімкнення/вимкнення в положення RUN (Запуск). (Мал. 38)
5. Натисніть кнопку пристрою ручного підкачування 1–3 рази, щоб запустити допоміжний насос. Використовуйте допоміжний насос для запуску без попереднього прогрівання за низької температури. (Мал. 39)
6. Потягніть рукоятку троса стартера. (Мал. 40)



**УВАГА:** Не відпускайте рукоятку троса стартера надто швидко. Повільно повертайте її в початкове положення.

**Зверніть увагу:** Якщо рукоятка троса стартера замерзла, повільно витягніть якомога більше троса зі стартера й відпустіть рукоятку. Якщо двигун не запустився, повторіть процедуру або скористайтеся електричним стартером.

7. Перш ніж починати відкидати сніг, дайте двигуну попрацювати 30–40 секунд на холостому ходу.
8. Коли двигун прогріється, повільно переведіть заслінку в положення OPEN (Відкрити). (Мал. 41)

## Запуск двигуна, електричний запуск



**ПОПЕРЕДЖЕННЯ:** Виріб оснащено електричним стартером, який працює від напруги 230 В змінного струму. Не використовуйте електричний стартер, якщо електромережа у вашому будинку не є належним чином заземленою мережею змінного струму напругою 230 В. Може статися серйозна травма або пошкодження виробу. Електричний стартер оснащено триконтактним роз'ємом електроживлення; його призначено для роботи від побутової мережі змінного струму напругою 230 В. У вашому будинку має бути облаштовано належним чином заземлену мережу змінного струму напругою 230 В. Якщо ви не впевнені, що ваша мережа відповідає цим вимогам, проконсультуйтеся з ліцензованим електриком.

**Зверніть увагу:** Використовуйте рекомендований для роботи на вулиці подовжувальний шнур із дротом типорозміру не менше 16 AWG (1,5 мм<sup>2</sup>) і довжиною не більше 15 м.

1. Відпустіть зчеплення привода. Переведіть важіль керування швидкістю обертання привода в перше положення.

2. Переведіть перемикач палива в положення ON (Увімк.). (Мал. 36)
3. Поверніть заслінку в положення CLOSE (Закрити). (Мал. 37)
4. Переведіть ключ увімкнення/вимкнення в положення RUN (Запуск). (Мал. 38)
5. Натисніть кнопку пристрою ручного підкачування 1–3 рази, щоб запустити допоміжний насос. Використовуйте допоміжний насос для запуску без попереднього прогрівання за низької температури. (Мал. 39)
6. Під'єднайте виріб до джерела живлення. (Мал. 42)
7. Натисніть та утримуйте кнопку запуску на блоці керування протягом 5 секунд. (Мал. 43)
8. Якщо двигун не запускається, зачекайте 5 секунд, після чого знову натисніть кнопку запуску.



**УВАГА:** Не намагайтеся запустити двигун більше 10 разів. Після 10 спроб зачекайте 40 хвилин, перш ніж спробувати запустити двигун знову.

9. Коли двигун запуститься, від'єднайте шнур живлення від виробу.
10. Перш ніж починати відкидати сніг, дайте двигуну попрацювати 30–40 секунд на холостому ходу.
11. Коли двигун прогріється, повільно переведіть заслінку в положення OPEN (Відкрити). (Мал. 41)

## Робота з виробом

1. Притисніть зчеплення шнека до ручки, щоб задіяти шнек і почати відкидати сніг. (Мал. 44)
2. Для переміщення виробу вперед посуньте важіль керування швидкістю обертання приводу ліворуч. Для переміщення виробу назад посуньте важіль керування швидкістю обертання приводу праворуч. (Мал. 45)
3. Для керування зчепленням привода використовуйте праву ручку.
4. Щоб задіяти приводні колеса, притисніть зчеплення привода до ручки. Виріб рухається вперед або назад залежно від положення важеля керування швидкістю обертання приводу. (Мал. 46)

## Вимкнення виробу

**Зверніть увагу:** Щоб вимкнути двигун в екстремній ситуації, витягніть ключ увімкнення/вимкнення.

1. Щоб зупинити приводні колеса, відпустіть зчеплення привода.
2. Щоб розчепити шнек і припинити викидання снігу, відпустіть зчеплення шнека. (Мал. 47)
3. Переведіть перемикач палива в положення OFF (Вимк.). (Мал. 48)

4. Витягніть ключ увімкнення/вимкнення. (Мал. 49)

## Забезпечення ефективної роботи

- Двигун має завжди працювати за повністю відкритої дросельної заслінки або майже повністю відкритої.
- Завжди пристосовуйте швидкість виробу відповідно до стану снігового покриття та регулюйте швидкість важелем керування швидкістю обертання привода. Переконайтеся в тому, що виріб відкидає сніг рівномірно.
- Прибирати сніг одразу після того, як він випав, легше та ефективніше, ніж згодом.
- Якщо це можливо, завжди відкидайте сніг за вітром.
- На плоских поверхнях, наприклад асфальтованих дорогах, підніміть трельовані пластини на 5–6 мм (0,2–0,25 дюйми) від землі.
- Шкребок можна перевертати. Коли він зітреться майже до краю корпусу, переверніть його. Замініть шкребок у разі його пошкодження або коли він зітреться з обох боків.
- Не відправляйте дефлектор викидного жолоба, якщо він забитий.
- Якщо виріб не рухається вперед через непередбачені обставини, негайно відпустіть зчеплення привода або переведіть ключ увімкнення/вимкнення в положення OFF (ВИМК.).

## Технічне обслуговування

### Графік технічного обслуговування

Технічне обслуговування	Щодня	20 годин	50 годин	100 годин
Переконайтеся в тому, що всі гайки та гвинти добре затягнуті	X			
Перевірте рівень моторної оливи	X			
Замініть оливу <sup>163</sup>		X	X	X
Переконайтеся у відсутності протікань палива чи оливи	X			
Усуньте забитість та видаліть сторонні предмети зі шнека	X			
Перевірте тиск у шинах <sup>164</sup>			X	
Перевірте та замініть свічку запалювання <sup>165</sup>				X

**Зверніть увагу:** Не потрібно додавати мастило або виконувати інші види технічного обслуговування коробки передач.

### Процедура загальної перевірки

- Переконайтеся, що всі гайки й гвинти на виробі затягнуто відповідним чином.

<sup>163</sup> Замінійте оливу через перші 20 годин, 50 годин, 100 годин і потім через кожні 100 годин.

<sup>164</sup> Правильний тиск у шинах вказано в технічних даних.

<sup>165</sup> Перевіряйте та очищуйте свічку запалювання перед використанням щорічно.

## Перевірка рівня оливи



**УВАГА:** Занадто низький рівень оливи може спричинити пошкодження двигуна. Перед запуском виробу необхідно перевіряти рівень оливи.

1. Встановіть виріб на рівній поверхні.
2. Зніміть кришку бака для оливи за допомогою під'єднаного вимірювального стрижня.
3. Усуньте оливу з вимірювального стрижня.
4. Щоб дізнатися точний рівень оливи, повністю вставте вимірювальний стрижень в бак для оливи.
5. Вийміть вимірювальний стрижень.
6. Перевірте рівень оливи на вимірювальному стрижні.
7. У разі, якщо рівень оливи низький, залийте моторну оливу та перевірте рівень ще раз.

## Заміна моторної олії

1. Дайте двигуну попрацювати кілька хвилин, щоб олива нагрілася. Тепла олива тече краще й містить більше забруднюючих речовин.



**ПОПЕРЕДЖЕННЯ:** Моторна олива гаряча. Не допускайте потрапляння використаної моторної оливи на шкіру.

2. Встановіть виріб на рівній поверхні.
3. Залиште двигун працювати, доки не закінчиться паливо.
4. Витягніть ключ запалювання.
5. Помістіть контейнер під пробку зливного отвору.
6. Витягніть пробку зливного отвору, перехилить виріб назад і злийте використану оливу в контейнер. (Мал. 50)
7. Поверніть виріб у робоче положення.
8. Установіть пробку зливного отвору й щільно затягніть її рукою.
9. Залийте моторну оливу в двигун, див. *Залийте оливу в двигун на сторінці 457.*

## Перевірка свічки запалювання



**УВАГА:** Завжди користуйтеся рекомендованими свічками запалення. Неправильний тип свічки запалювання може призвести до пошкодження виробу.

- У разі, якщо двигун втрачає потужність, його важко запустити або він погано працює на холостому ходу, необхідно перевірити свічку запалювання.

- Щоб зменшити ризик потрапляння зайвих предметів на електроди свічки запалювання, дотримуйтеся таких інструкцій:
  - a) переконайтеся, що швидкість холостого ходу встановлено правильно;
  - b) переконайтеся, що використовується правильний тип паливної суміші;
  - c) переконайтеся, що повітряний фільтр чистий.
- Якщо свічка запалювання забруднена, її слід очистити й переконаватися в тому, що між електродами встановлено правильний проміжок (див. *Технічні дані на сторінці 465*). (Мал. 51)
- За необхідності замініть свічку запалювання.

## Перевірка шнеків і шкребка

1. Перед кожним використанням упевніться, що шнеки та шкребки не зношено.
2. Якщо край шкребка зношено, переверніть його. Якщо шкребок пошкоджено або зношено з обох боків, замініть його.
3. Якщо шнек по краях зношено, зверніться до авторизованого сервісного центру для їх заміни.

## Налаштування трельованих пластин

Трельовані пластини попереджають пошкодження нижньої частини сніговідкидача. Відрегулюйте трельовані пластини (А), відпустивши стопорну гайку (В), інакше трельована пластина перебуватиме на неправильній відстані від землі. Для стандартного встановлення регулювання не потрібно.

1. Послабте стопорну гайку (В) ріжковим ключем на 13 мм (½ дюйма).
2. Перемістіть трельовані пластини (А) угору або вниз.
  - a) На рівних поверхнях установіть відстань між шкребок і землею 5–6 мм (0,2–0,25 дюйма).
  - b) На нерівних поверхнях установіть трельовані пластини (А) у таке положення, щоб шкребок перебував над поверхнею землі.



**ПОПЕРЕДЖЕННЯ:** Переконайтеся в тому, що гравій і каміння не потрапляють у виріб. Предмети, що викидаються на високій швидкості, можуть спричинити травми.

3. Затягніть стопорну гайку (В). (Мал. 52)

## Заміна відрізного штифта

Відрізний штифт захищає виріб від пошкоджень. Він ламається, коли в рухомій частині виробу потрапляють сторонні об'єкти.

1. Якщо відрізний штифт зламався, зупиніть двигун.
2. Установіть новий відрізний штифт (А) і новий пружинний затискач (В). (Мал. 53)

## Перевірка шин

- Щоб запобігти пошкодженню каучуку, не допускайте потрапляння на шини палива, оливи та хімічних речовин.
- Тримайте шини на відстані від пнів, каміння, рівчаків, гострих предметів та інших об'єктів, які можуть спричинити пошкодження шин.
- Підтримуйте правильний тиск у шинах, див. *Технічні дані на сторінці 465.*

## Очищення забитого дефлектора викидного жолоба

Перш ніж прочищати дефлектор викидного жолоба, виконайте вказані далі операції.

1. Одночасно відпустіть зчеплення шнека та зчеплення привода.
2. Зачекайте 10 секунд, поки шнеки не зупиняться.
3. Зупиніть виріб.

4. Щоб усунути засмічення, скористайтеся інструментом для очищення (довжиною не менше 37 см (15 дюймів), що входить до комплекту поставки деяких моделей).



**ПОПЕРЕДЖЕННЯ:** Тримайте руки на безпечній відстані від дефлектора викидного жолоба або внутрішньої частини ковша шнека.

---

## Чищення виробу

- Для очищення пластмасових деталей використовуйте суху чисту тканину.
- Для чищення виробу не використовуйте миючий апарат високого тиску.
- Заборонено лити воду безпосередньо на двигун.
- Прибирайте листя, траву та бруд за допомогою щітки.

## Усунення несправностей

### Усунення несправностей

Несправність	Можлива причина	Рішення
Виріб не запускається	Ключ запалювання не вставлено в замок запалювання.	Вставте ключ запалювання.
	У виробі закінчилося пальне.	Залийте до паливного бака свіжий чистий бензин.
	Кнопка увімкнення/вимкнення перебуває в положенні OFF (ВИМК.).	Переведіть перемикач увімкнення/вимкнення у положення ON (УВИМК.).
	Заслінка в положенні OFF (CLOSE) (ВИМК., (ЗАКРИТО)).	Переведіть заслінку в положення ON (ПОВНІСТЮ, ВІДКРИТО).
	Пристрій ручного підкачування палива не натиснуто.	Натисніть на пристрій ручного підкачування палива.
	Двигун залито.	Зачекайте кілька хвилин, перш ніж перезапустити двигун. НЕ ЗАДІЙДУЙТЕ ручне підкачування.  Перезапустіть двигун, доки дросельна заслінка повністю відкрита та заслінка в положенні OFF (CLOSE) (ВИМК., (ЗАКРИТО)).
	Дріт свічки запалювання не під'єднано.	Під'єднайте дріт до свічки запалювання.
	Несправна свічка запалювання.	Заміна свічки запалювання.
	У паливі є вода або паливо занадто старе.	Спорожнення паливного бака й карбюратора. Залийте до паливного бака свіжий чистий бензин.
	Парова пробка в паливопроводі.	Переконайтеся в тому, що паливопровід розташовано нижче виходу паливного бака. Паливопровід має бути прокладений без перешкод вниз від паливного бака до карбюратора.
	Інші причини.	Уважно ознайомтеся з процедурами запуску, наведеними в цьому посібнику.
Перемикач палива (якщо є) перебуває в положенні CLOSE (OFF) (ВИМК., (ЗАКРИТО)).	Переведіть перемикач запалювання в положення OPEN (ON) (ВІДКРИТО (УВИМК.))	
Дросель переведено в положення STOP (СТОП).	Поставте дросельну заслінку в положення FAST (ШВИДКО).	

<b>Несправність</b>	<b>Можлива причина</b>	<b>Рішення</b>
Знижена потужність	Дріт свічки запалювання не під'єднано.	Під'єднайте дріт до свічки запалювання.
	Виріб викидає занадто багато снігу.	Зменште швидкість і ширину захвату.
	Кришка паливного бака вкрита льодом чи снігом.	Усуньте лід і сніг із кришки паливного бака та ділянки навколо неї.
	Глушник забруднений або забитий.	Почистьте або замініть глушник.
	Неправильна довжина шнура.	Відрегулюйте кабель.
	Глушник заблоковано.	Переконайтеся в тому, що двигун охолонув. Видаліть засмічення.
	Всмоктувач повітря на карбюраторі заблоковано.	Переконайтеся в тому, що двигун охолонув. Видаліть засмічення.
Двигун працює на холостому ході або працює нерівномірно	Заслінка в положенні ON (FULL, OPEN) (УВИМК., (ПОВНІСТЮ, ВІДКРИТО)).	Переведіть заслінку в положення OFF (CLOSE) (ВИМК., ЗАКРИТО).
	Паливопровід засмічено.	Прочистьте паливопровід.
	У паливі є вода або паливо занадто старе.	Спорожнення паливного бака й карбюратора. Залийте до паливного бака свіжий чистий бензин.
	Карбюратор слід замінити.	Зверніться до авторизованого сервісного центру.
	Пас розтягнуто.	Замініть клиноподібний пас шнека.
Надмірна вібрація/рух рукоятки	Деякі частини не закріплено надійно. Шнеки пошкоджено.	Затягніть усі кріплення. Замініть пошкоджені деталі. Якщо вібрація не припинилася, зверніться до авторизованого сервісного центру.
	Рукоятки розташовано неправильно.	Упевніться, що рукоятки зафіксовано.
	Гайки регулювального важеля ослаблені.	Затягніть гайки, щоб надійно зафіксувати рукоятку.
Ручку ручного стартера важко тягнути	Ручка ручного стартера замерзла.	Повільно витягніть якомога більше троса зі стартера та відпустіть ручку ручного стартера. Якщо двигун не запустився, повторіть процедуру або скористайтеся електричним стартером.
	Трос торкається компонентів.	Трос стартера не має торкатися кабелів або шлангів.

Несправність	Можлива причина	Рішення
Тяговий привід працює слабше/повільніше  Об'єм відкиданого снігу зменшився, або відкидання снігу сповільнилося	Пас прослизав.	Відрегулюйте кабель. Відрегулюйте пас.
	Пас зносився.	Перевірте пас і за необхідності замініть його.
	Пас зіскочив зі шківів.	Перевірте пас і за необхідності встановіть його на місце.
	Дефлектор викидного жолоба забито.	Очистьте дефлектор викидного жолоба.
	Шнеки забито сторонніми предметами.	Видаліть сміття або сторонні предмети зі шнеків.
	Відрізний штифт зламано.	Замініть зламаний відрізний штифт.
	Надмірні накопичення снігу й льоду між деталями привода.	Очистіть деталі привода від снігу та льоду.
Фрикційне приводне колесо зносилось.	Зверніться до авторизованого сервісного центру.	
Збій обертання шнека після відпускання ручки	Положення привідного паса не відрегульовано.	Відрегулюйте приводний пас.
	Положення дефлектора не відрегульовано.	Відрегулюйте викидний дефлектор.
Вогні не горять (якщо є)	Двигун не працює.	Запустіть двигун.
	Дротове з'єднання не закріплено.	Перевірте дротові з'єднання на двигуні та вогнях.
	Згорів світлодіод.	Замініть світлодіодний модуль. Окремі світлодіоди не можна замінити.
Поворотну головку жолоба важко переміщувати	Сміття в механізмі поворотної головки жолоба.	Очистьте внутрішні частини механізму поворотної головки жолоба.
	Кабелі зігнуто або пошкоджено.	Переконайтеся в тому, що кабелі не зігнуто. Замініть пошкоджені кабелі.
Виріб повертається в одну сторону	Тиск у шинах не однаковий.	Відрегулюйте тиск у шинах і заповніть шину.
	Виріб приводиться до руху лише одним колесом.	Перевірте стопорний штифт шини.
	Нерівномірне налаштування полозків.	Відрегулюйте трельовані пластини та полозки.
	Нерівномірне регулювання трельованих пластин.	Відрегулюйте трельовані пластини та полозки.



# Транспортування, зберігання й утилізація

## Транспортування та зберігання

- У разі транспортування та зберігання виробу та пального необхідно переконатися у відсутності протікань та випарів. Іскри або відкритий вогонь, наприклад, від електричних пристроїв, можуть спричинити пожежу.
- Для зберігання та транспортування палива слід використовувати лише сертифіковані резервуари.
- Спорожніть паливний бак у разі, якщо виріб зберігатиметься протягом тривалого часу.
- Якщо в піддоні карбюраторного палива є зливна пробка, злийте паливо з карбюратора, перш ніж переміщувати виріб на тривале зберігання.
- Під час транспортування закріплюйте виріб безпечним чином, щоб уникнути пошкоджень та нещасних випадків.

- Зберігайте виріб у закритому приміщенні, куди не зможуть отримати доступ діти та особи без належної підготовки.
- Зберігайте виріб у сухому місці за температури нижче 0 градусів.

## Утилізація

- Дотримуйтеся місцевих вимог і застосовних норм і правил.
- Утилізуйте всі хімічні речовини на кшталт моторної оливи або палива в центрі обслуговування або у відповідних місцях для утилізації.
- Утилізуйте виріб у схваленому місці утилізації або надішліть його для утилізації до Husqvarna.

## Технічні дані

### Технічні дані

	ST 124
<b>Габарити</b>	
Суха маса виробу, кг	76
Максимальний робочий тиск у шинах, фунтів/кв. дюйм	20
Висота впускного отвору, см	53,3
Робоча ширина, см	61
<b>Двигун</b>	
Бренд	Husqvarna
Номинальна потужність двигуна, кВт	4,3
Об'єм, куб. см.	212
Тип палива	Неетилроване звичайне (максимум 10 % етанолу)
Ємність паливного бака, галонів / літрів	0,58 / 2,2
Тип оливи (API SJ-SN)	SAE 5W30 (нижче 0 °C (32 °F))
Ємність бака для оливи, рідких унцій / літрів	20 / 0,6
<b>Електрична система</b>	
Свічка запалення	F7RTC
Проміжок між електродами свічки запалювання (дюймів / мм)	0,027–0,031 / 0,7–0,8

	<b>ST 124</b>
<b>Випромінювання шуму</b> <sup>166</sup>	
Рівень звукової потужності виміряний, дБ (А)	100
Гарантований рівень звукової потужності, L <sub>WA</sub> дБ(А)	102
<b>Рівні звуку</b> <sup>167</sup>	
Рівень звукового тиску у вусі оператора, виміряне значення L <sub>PA</sub> , дБ (А)	86
<b>Рівні вібрації, a<sub>hvec</sub></b> <sup>168</sup>	
Рівень вібрації на ручці, зліва/справа	4,15 / 4,08

<sup>166</sup> Випромінювання шуму в середовище, виміряне як звукова потужність (L<sub>WA</sub>), відповідає директивам ЄС 2000/14/ЄС і 2005/88/ЄС. Заявлені дані про рівень випромінювання шуму мають стандартну статистичну розбіжність (стандартне відхилення) в 1,5 дБ (А). Похибка вимірювання = 1,5 дБ (А)

<sup>167</sup> Рівень шумового тиску відповідає стандарту EN ISO 11201. Заявлені дані про рівень шумового тиску мають стандартну статистичну розбіжність (стандартне відхилення) у 1,5 дБ(А). Похибка вимірювання = 1,5 дБ (А)

<sup>168</sup> Рівень вібрації відповідає стандарту ISO 8437-4, додаток В. Похибка вимірювання = 1,5 м/с<sup>2</sup>

# Декларація відповідності ЄС

## ЗМІСТ ДЕКЛАРАЦІЇ ВІДПОВІДНОСТІ ЄС

Ми, компанія Husqvarna, SE-561 82, м. Гускварна, ШВЕЦІЯ, заявляємо під свою виключну відповідальність, що представлений виріб:

Опис	Сніговідкидач
Бренд	Husqvarna
Платформа / Тип / Модель	ST 124
Партія	Серійні номери за 2020 рік і пізніше

повністю відповідає наступним директивам і нормам ЄС:

Директива/норма	Опис
2006/42/EC	«Про механічне обладнання»
2014/30/EU	«Про електромагнітну сумісність»
2000/14/EC; 2005/88/EC	«Про випромінювання шуму від обладнання, призначеного для використання надворі»
2011/65/EU	«Про обмеження використання деяких небезпечних речовин»

Застосовуються такі узгоджені стандарти й/або технічні вимоги: EN ISO 12100:2010, EN ISO 14982:2009, ISO 8437-1:2019, ISO 8437-2:2019, ISO 8437-4:2019, ISO 3744:1995, EN 1032:2003+A1:2008, EN 50581:2012

Згідно з директивною 2000/14/EC+2005/88/EC, додаток V, заявлені шумові характеристики зазначені в розділі технічних даних цього посібника та в підписаній декларації відповідності ЄС.

Сніговідкидач, що постачається, відповідає зразкам, які пройшли перевірку.

Від імені компанії Husqvarna AB, SE-561 82 Huskvarna, SWEDEN (Швеція), 2020-02-07



Клаес Лосдал (Claes Losdal)

Особа, відповідальна за складання технічного опису згідно з вимогами країн ЄС

Original instructions  
Originalna uputstva  
Оригинални инструкции  
Originalne upute  
Původní pokyny  
Originale instruktioner  
Originale instructies  
Originaaljuhend  
Alkuperäiset ohjeet  
Instructions d'origine  
Originalanweisungen  
Αρχικές οδηγίες  
Eredeti útmutatás  
Istruzioni originali

Lietošanas pamācība  
Originalios instrukcijos  
Originale instruksjoner  
Oryginalne instrukcje  
Instrucções originais  
Instrucțiuni inițiale  
Оригинальные инструкции  
Originalna uputstva  
Přůvodné pokyny  
Izvirna navodila  
Instrucciones originales  
Bruksanvisning i original  
Orjinal talimatlar  
Оригинальні інструкції

598540738



2020-06-16