



PARTS BREAKDOWN

2" WATER PUMP

MODEL:WP-2070S



BEPOWEREQUIPMENT

.COM

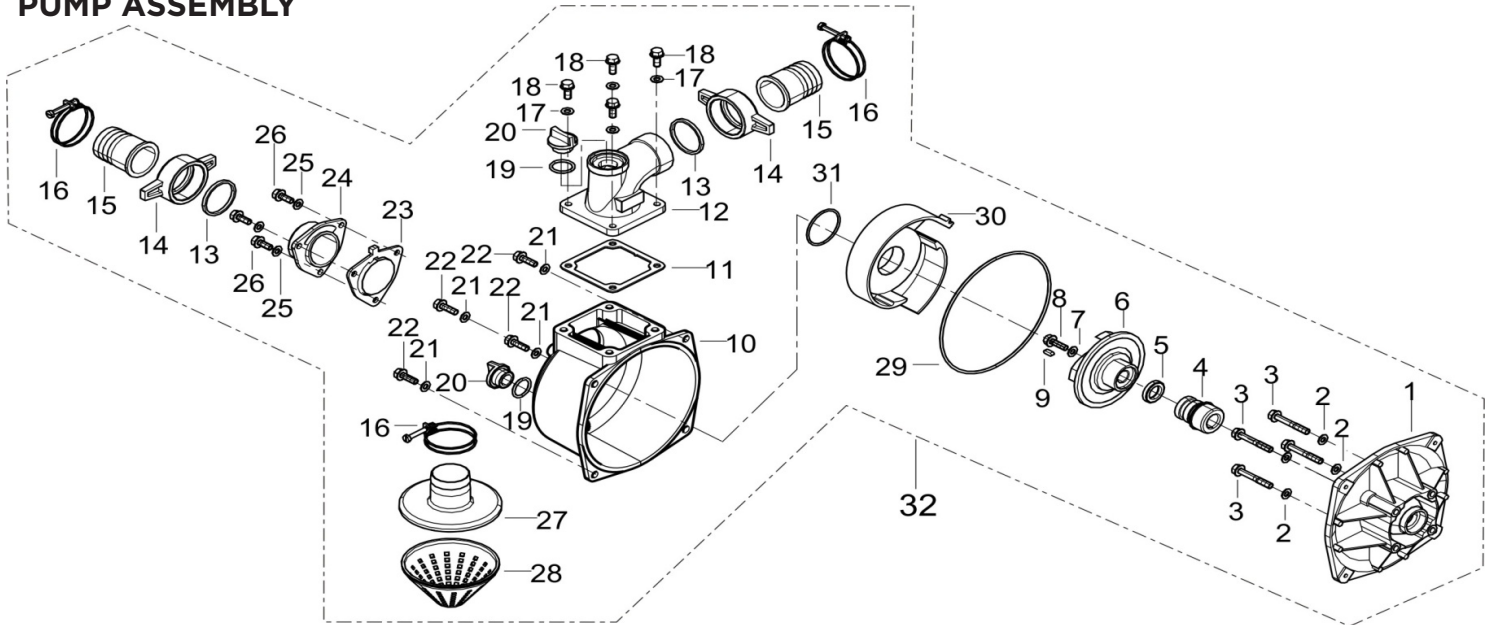


PARTS BREAKDOWN

2" WATER PUMP

MODEL:WP-2070S

PUMP ASSEMBLY



REF #	DESCRIPTION	QTY	BE PART #
1	Water Pump Joint	1	85.571.136
2	Washer	4	50.002.200
3	Bolt	4	
7	Washer	1	
8	Bolt	1	
9	Key	1	
22	Bolt	4	
25	Washer	4	
4	Mechanical Seal Assembly	1	50.002.202
5	Porcelain Seal	1	
11	Outlet Gasket		
23	Inlet Gasket	1	
29	Water Pump Joint Cushion	1	
31	Whorl Case Sealing Ring	1	
6	Impeller	1	50.002.201
10	Pump Body	1	85.571.134
19	Screw Plug Washer	2	50.002.203
20	Threaded Plug	2	
12	Water Outlet	1	50.002.204
24	Water Inlet	1	
30	Whorl Case	1	85.571.135
**	Complete Pump and Frame Kit	1	85.150.201

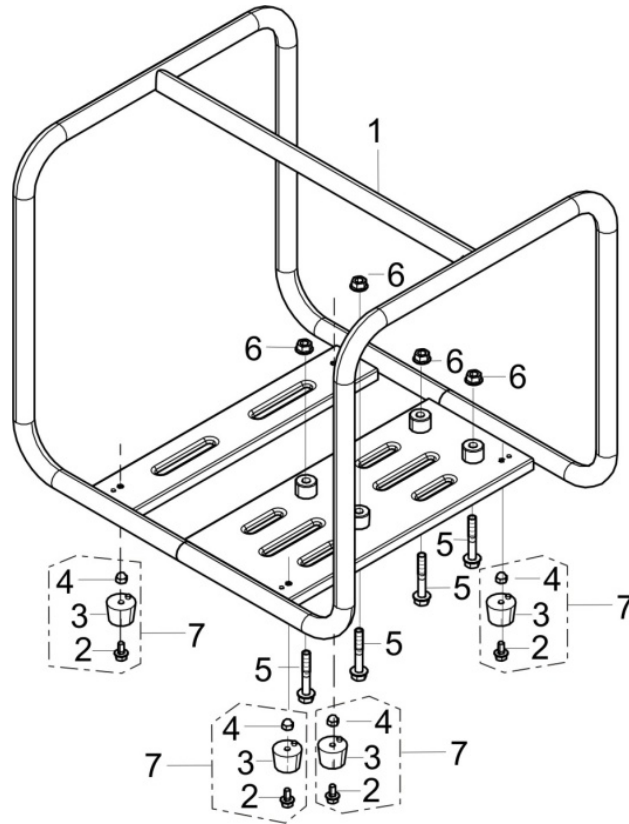


PARTS BREAKDOWN

2" WATER PUMP

MODEL:WP-2070S

FRAME ASSEMBLY



REF #	DESCRIPTION	QTY	BE PART #
2	Bolt	4	50.002.205F
3	Engine Frame Shock Absorption Seat	4	
4	Acorn Nut	4	

***REFER TO THE POWEREASE 225 FOR ENGINE BREAKDOWN AND ENGINE PARTS**

BE

POWER EQUIPMENT

If you need technical assistance call:

1-866-850-6662

(8:00am - 4:30pm PST, Mon - Fri)