

UFORCE 1000

UFORCE 1000 XL

OWNER'S MANUAL

GUIDE DE L'UTILISATEUR

READ THIS MANUAL CAREFULLY

It contains important safety information. This ROV should not be ridden by anyone before 16 years of age. Passenger under 12 are prohibited.

VEUILLEZ LIRE CE GUIDE ATTENTIVEMENT

Il contient des informations importantes sur la sécurité. Utilisation non recommandée pour toute personne âgée de moins de 16 ans. Interdite à tout passager âgé de moins de 12 ans.



TABLE OF CONTENTS

Foreword	1
Welcome	1
EVAP System (Evaporative Emission Control System)	2
Catalytic Converter.....	2
Signal Words	3
Introduction	6
Vehicle Identification Numbers and Key Information.....	7
Vehicle Specification	8
Operator Safety	14
General Safety Precautions	14
Owner Responsibilities.....	18
Safety Labels, Locations and Warnings.....	23
Potential Hazard Warnings.....	33
Controls and Features	50
Primary Controls	50
Secondary Controls.....	54
Vehicle Features	59
CVT System	71
Engine Braking System (EBS)	72

How To Avoid CVT Drive Belt and Component Failure	73
Dashboard Indicators and Warnings - Work Mode	76
Dashboard Indicators and Warnings - Normal Mode	79
Operating Your Vehicle	84
Break-In Period	84
Pre-Ride Inspection.....	86
Throttle	86
Foot Brake.....	86
Starting the Engine.....	87
Shifting the Transmission	88
Safe Operation - Driving Safely.....	91
Responsibilities of the Operator	91
Practice Exercises.....	95
Operating Your Vehicle.....	98
Hauling and Towing Loads	103
Winch Operation	108
Maintenance.....	118
Severe Use Definition	119
Periodic Maintenance Schedule and Icon Key.....	120
General Recommended Lubrication	121
Pre-Ride Maintenance Checklist.....	122

Break-In Maintenance Checklist	124
Periodic Maintenance Schedule.....	126
Maintenance Procedures	133
Cleaning and Storage	164
Transporting the Vehicle	168
Vehicle Issue Diagnosis	169
Engine does not turn over	169
Engine pings or knocks	169
Engine stops or loses power	170
Engine turns over, Fails to start.....	171
Engine backfires	172
EFI Malfunction Indicator Light	173
EPS Malfunction Indicator Light	175
Electronic Power Steering (EPS) Fault Diagnosis and Solution	177
CFMOTO Limited Warranty.....	178
Warranty Terms & Conditions	178
U.S.A. EPA and CARB Emissions Control Limited Warranty	186
Noise Control System and Tampering	189
Change of Ownership	190

FOREWORD

Welcome

Thank you for purchasing a CFMOTO vehicle, and welcome to our world-wide family of CFMOTO enthusiasts. Be sure to visit us online at www.cfmoto.com for the latest news, new product introductions, upcoming events, and more.

CFMOTO is an international company that specializes in the development, manufacture, and marketing of all-terrain vehicles, utility vehicles, large displacement motorcycles, and their core components. Founded in 1989, CFMOTO is devoted to the development of independent brand cultivation and R&D innovation. CFMOTO products are currently distributed through more than 2000 companions worldwide in more than 100 countries and regions. CFMOTO is edging into the advanced ranks in the world of powersports, and aims to supply superior products to dealers and fans globally.

For safe and enjoyable operation of your vehicle, be sure to follow the instructions and recommendations in this owner's manual. Your manual contains instructions for minor maintenance. Information about major repairs is outlined in the CFMOTO Service Manual.

Your CFMOTO dealer knows your vehicle best and is interested in your total satisfaction. Be sure to return to your dealership for all of your service needs during, and after, the warranty period.

Due to constant improvements in the design, quality, or configuration of production components, some minor discrepancies may result between the actual vehicle and the information presented in this publication. CFMOTO reserves the right to change product features, specifications and components without notice or incurring obligation to the purchaser. Depictions and/or procedures within are intended for reference use only. The most current version of this manual may be available on the CFMOTO consumer website of the market you reside in.

This manual applies to the following models: CF1000UZ, CF1000UU, CF1000UU-2, CF1000UZ-2.

FOREWORD

WARNING

The engine exhaust from this product contains chemicals known to the State of California to cause cancer, birth defects or other reproductive harm.

EVAP System (Evaporative Emission Control System)

(If equipped)

When required by environmental emissions regulations, this vehicle is manufactured with a fuel evaporation system (EVAP) to prevent fuel vapors entering the atmosphere from the fuel tank and fuel system.

During routine maintenance, visually inspect all hose connections for leaks or blockage. Ensure the hoses are not clogged or kinked, which could damage the fuel pump or distort the fuel tank. No other maintenance is necessary.

Contact your dealer if repair is required. Do not modify the EVAP system. Modifying any part of this system will violate environmental emissions regulations.

Catalytic Converter

CAUTION: Please pay attention to the following to protect your catalytic converter:

- Use only unleaded gasoline. Even gasoline that contains a little lead could damage the reactive metals contained in the catalytic converter and disable it.
- Never add rust preventive oil or engine oil into the muffler. Doing so could damage the catalytic converter.

NOTE

Some features described within this manual may not apply to models sold in North America.

All descriptions and directions given are from the operator's perspective when properly seated.

FOREWORD

Signal Words

A signal word calls attention to a safety message or messages, a property damage message or messages, and designates a degree or level of hazard seriousness. The standard signal words in this manual are WARNING, CAUTION and NOTE or NOTICE.

The following signal words and symbols appear throughout this manual and on your vehicle. Your safety is involved when these words and symbols are used. Become familiar with their meanings before reading the manual:

WARNING

This safety alert and icon indicates a potential hazard that may result in serious injury or death.

CAUTION

This safety alert and icon indicates a potential hazard that may result in minor or moderate personal injury and/or damage to the vehicle.

CAUTION

This safety alert without an icon indicates a situation that may result in damage to the vehicle.

NOTE or NOTICE

A note or notice will alert you to important information or instructions.

FOREWORD



NEVER:

- Operate without proper training or instruction.
- Operate on public roads. A collision can occur with another vehicle.
- Operate on paved roads. Pavement may seriously affect handling and control.
- Operate at speeds too fast for your skill, conditions, or the terrain.
- Use ALCOHOL or DRUGS before or while driving this vehicle.

ALWAYS:

- Avoid paved surfaces, which may adversely affect the handling and control.
- Use proper driving techniques to avoid vehicle overturn on hills, rough terrain, and when turning.
- Wear eye protection, helmet and protective clothing.

FOREWORD
READ THE OWNER'S MANUAL
FOLLOW ALL INSTRUCTIONS AND WARNINGS

 WARNING

Read, understand, and follow all of the instructions and safety precautions in this manual and on all product labels. Failure to follow the safety precautions could result in serious injury or death.

 WARNING

The engine exhaust gas from this product contains CO, which is deadly gas and could cause headaches, giddy, or lose consciousness, even death.

INTRODUCTION

Introduction

Thank you for purchasing a CFMOTO vehicle, and welcome to our world-wide family of CFMOTO enthusiasts.

For safe and enjoyable operation of your vehicle, be sure to follow the instructions and recommendations in this owner's manual. Information about major repairs are outlined in the CFMOTO Service Manual, and should only be performed by a CFMOTO service dealer and technician. Be sure to return to your dealership for all of your service needs during, and after, the warranty period.

If you have questions or concerns about your vehicle

All questions or concerns related to your vehicle should be directed to your local CFMOTO dealer first. Your dealer knows your vehicle best and is interested in your total satisfaction. In the event your local dealer is unable to resolve a product issue or concern, you can reach a CFMOTO customer service representative depending on the market you reside in:

For USA: Please contact CFMOTO POWERSPORTS, INC. TEL: 763-398-2690, by e-mail: info@cfmotousa.com, or online: <https://cfmotousa.com/customer-care/customer-care-contact>. Please note that customer service does not have authority to approve or deny warranty, and cannot provide technical repair data, diagnosis, or instructions.

For CANADA: Please contact CANADA MOTOR IMPORT INC. TEL: 1-418-227-2077, or online: <https://www.cfmoto.ca/en/customer-care/>.

For a safety concern related to your Canadian vehicle, you may report your concern to Transport Canada Defect Investigation and Recalls Division by mail, telephone, or online using the contact information below:

Mailing address: Transport Canada - ASFAD, 330 Sparks Street, Ottawa, ON, K1A 0N5

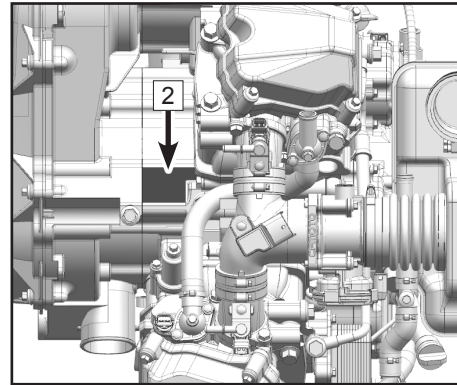
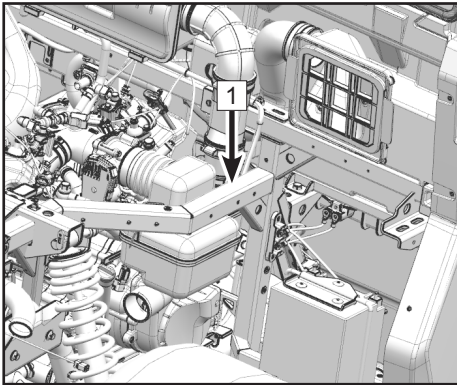
TEL: 819-994-3328 (Ottawa-Gatineau area or international) or toll-free: 1-800-333-0510 (In Canada)

Online: <http://www.tc.gc.ca/recalls>

INTRODUCTION

Vehicle Identification Numbers and Key Information

Record your vehicle's identification numbers in the spaces provided. Remove the spare key and store in a safe place. Your key can be duplicated only by mating a key blank with one of your existing keys. If both keys are lost, the complete lock assembly must be replaced.



1. Vehicle Identification Number: _____

2. Engine Serial Number: _____

SPECIFICATIONS

Vehicle Specification

Item	UFORCE 1000	UFORCE 1000 XL
Overall Length	115.9 in. (2945 mm)	147.4 in. (3745 mm)
Overall Width	63.6 in. (1615 mm)	63.6 in. (1615 mm)
Overall Height	72.8 in. (1850 mm)	72.8 in. (1850 mm)
Wheel Base	80.7 in. (2050 mm)	112.2 in. (2850 mm)
Ground Clearance	11 in. (280 mm)	12 in. (310 mm)
Min. turning radius	161.4 in. (4100 mm)	216.5 in. (5500 mm)
Unladen Mass In Running Order	1521.5 lb. (690 kg)	1829.8 lb. (870 kg)
Rear Cargo Box Weight Capacity	770.9 lb. (350 kg)	770.9 lb. (350 kg)
Maximum Vehicle Load Allowed	1508.8 lb.(685 kg)	1455 lb. (660 kg)
Recommended Towing Capacities:		
Towing Hitch Weight	99 lb. (45 kg)	
Trailer and Cargo Weight (unbraked)	1146.4 lb. (520 kg)	
Trailer and Cargo Weight (Inertia-braked)	1763.7 lb. (800 kg)	
Engine Model And Type	2V91Y	
Type	V-twin, 4-stroke, liquid-cooled, 8 valves, SOHC	

SPECIFICATIONS

Item	UFORCE 1000	UFORCE 1000 XL
Bore x Stroke	3.5 in.x 2.91 in. (91 mmx 74 mm) x 2	
Displacement	962.6 mL	
Compression Ratio	10.6:1	
Starting Type	Electric start	
Lubrication Type	Pressure / Splash lubrication	
Engine Oil: Type	SAE 10W-40 / SAE 5W-40 / SAE 15W-40 (See page 85 for oil viscosity chart)	
Engine Oil Volume: Capacity Change / Oil Filter	2.73 qt. (2.6 L) 2.63 qt. (2.5 L)	
Transmission oil Type Capacity Change	SAE75W-90GL-5 0.62 qt. (0.6 L)	
Coolant: Type Capacity Mix Ratio	Commercially available – Safe for aluminum engines 4.44 qt. (4.2 L) 50% coolant / 50% distilled water	

SPECIFICATIONS

Item	UFORCE 1000	UFORCE 1000 XL
Rear Differential Oil:		
Type	SAE80W/90GL-5	
Volume:		
Periodic Oil Change	13.5 oz. (400 mL)	
Front Differential Oil:		
Type	SAE80W/90GL-5	
Volume		
Periodic Oil Change	8.5 oz. (250 mL)	
Air Filter	Paper type	
Fuel Type	89 or higher unleaded gasoline	
Fuel Tank Capacity	10.6 gallons (40 L)	
Fuel Reserve Amount At Fuel Gauge 'Flash' (Approximate)	0.9 gallons (3.5 L)	

SPECIFICATIONS

Item		UFORCE 1000	UFORCE 1000 XL
Spark Plug Type		DCPR8E (NGK)	
Spark Plug Gap		0.031in ~ 0.035in. (0.8mm~0.9mm)	
Transmission	Transmission		CVT + Gearbox
	Gear Shift/Order		Manual / L—H—N—R—P
	CVT Ratio		0.70~2.88
	Engine Brake System (EBS)		Australia Market Only
	Gear Ratio	Low Gear	43/17=2.529
		High Gear	32/28=1.143
Reverse		29/13=2.231	
Chassis Frame		Steel tube	
Tires:		Tubeless	
Type		27 × 9.00 R14 60L / 27×9.11-14 61L	
Front		27 × 11.00 R14 66L / 27×11.00-14 70L	
Rear		27 × 11.00 R14 66L / 27×11.00-14 70L	
Wheel Bolt Pattern		4x110mm	

SPECIFICATIONS

Item	UFORCE 1000	UFORCE 1000 XL
Tire Pressure:		
Front	10 PSI (70 kPa)	14 PSI (100 kPa)
Rear	14 PSI (100 kPa)	17 PSI (120 kPa)
Air pressure for full load and high speed:		
Front	17 PSI (120 kPa)	17 PSI (120 kPa)
Rear	22 PSI (150 kPa)	22 PSI (150 kPa)
Brake System:	Front axles: Double-disc / Rear axles: Double-disc	
Foot Brake Type / Operation	Foot operated	
	Four wheel disc	
Parking Brake Type / Operation	Operated by hand Rear wheel mechanical disc brake only	
Brake Fluid Type	DOT 4	
Suspension:		
Front Suspension	Double A-arm independent	
Rear Suspension	Double A-arm independent	

SPECIFICATIONS

Item	UFORCE 1000	UFORCE 1000 XL
Shock Absorber:		
Front Shock Absorber		Coil spring/Oil dampened
Rear Shock Absorber		Coil spring/Oil dampened
Wheel Travel:		
Front Wheel Travel		9.1 in. (230 mm)
Rear Wheel Travel		9.1 in. (230 mm)
Electrical System:		
Ignition		Electronic
Charging		Rectified A/C 600 Watt @ 5000 rpm
Battery		12 Vdc / 30 Amp Hr

OPERATOR SAFETY

Operator Safety

General Safety Precautions

WARNING

Failure to heed the warnings contained in this manual can result in serious injury or death. This vehicle is not a toy and can be hazardous to operate. This vehicle handles differently from other vehicles, such as cars. A collision or rollover can occur quickly, even during routine maneuvers like turning or driving over obstacles, if you fail to take proper precautions.

Read this owner's manual. Understand all safety warnings, precautions and operating procedures before operating this vehicle.

Age Restrictions

This vehicle is an ADULT VEHICLE ONLY. Operation is prohibited for anyone under the age of 16. No passengers under age 12 are allowed on CFMOTO vehicles designed to carry passengers.

Know Your Vehicle

As the operator of the vehicle, you are responsible for your personal safety, the safety of others, and the protection of the environment. Read and understand your owner's manual, which includes valuable information about all aspects of your vehicle, including safe operating procedures.

OPERATOR SAFETY

Equipment Modifications

CFMOTO is concerned with the safety of our customers and for the general public. Therefore, we strongly recommend that consumers do not install on a vehicle, any equipment that may increase the speed or power of the vehicle, or make any other modifications to the vehicle for these purposes. Any modifications to the original equipment of the vehicle create a substantial safety hazard and increase the risk of body injury. The warranty on your vehicle is terminated if any unapproved accessory equipment has been added to the vehicle, or if any modifications have been made to the vehicle that increase its speed or power.

NOTE:

The addition of certain accessory equipment which may change the handling and performance characteristics of the vehicle include, but are not limited to; mowers, plow blades, oversize tires, sprayers, large racks, lift kits and trailers. Use only approved accessories, and familiarize yourself with their function and effect on the vehicle.

Avoid Carbon Monoxide Poisoning

All engine exhaust contains carbon monoxide, a deadly gas. Breathing carbon monoxide can cause headaches, dizziness, drowsiness, nausea, confusion and eventually death.

Carbon monoxide is a colorless, odorless, tasteless gas that may be present even if you do not see or smell any engine exhaust. Deadly levels of carbon monoxide can collect rapidly, and you can quickly be overcome and unable to save yourself. Also, deadly levels of carbon monoxide can linger for hours or days in enclosed or poorly ventilated areas.

To prevent serious injury or death from carbon monoxide:

- Never run the vehicle in poorly ventilated or partially enclosed areas.
- Never run the vehicle outdoor where engine exhaust can be drawn into a building through openings such as windows and doors.

OPERATOR SAFETY

Avoid Gasoline Fires and Other Hazards

Gasoline is extremely flammable and highly explosive. Fuel vapors can spread and be ignited by a spark or flame many feet away from the engine. To reduce the risk of fire or explosion, follow these instructions:

- Use only an approved gasoline container to store fuel.
- Never fill the gasoline container in the vehicle cargo box or on the vehicle. An electrical static discharge may ignite the fuel.
- Strictly adhere to proper fueling procedures.
- Never start or operate the engine if the fuel cap is not properly installed. Gasoline is poisonous and can cause injury or death.
- Never siphon gasoline by mouth.
- If you swallow gasoline, get any in your eye(s), or inhale gasoline vapor, see a doctor immediately.
- If gasoline spills on you, wash with soap and water and change your clothes.

Fuel Minimum Octane Rating and Safety Warnings

The recommended fuel for your vehicle is 89 Octane minimum, premium or mid-grade fuel (a maximum blend of 10% ethanol is allowed). Non-oxygenated (ethanol-free) fuel is recommended for best performance in all conditions.

OPERATOR SAFETY

WARNING

Gasoline is highly flammable and explosive under certain conditions.

Allow the engine and exhaust system to cool before filling the tank.

Always exercise extreme caution whenever handling gasoline.

Always refuel with the engine stopped, and outdoors or in a well ventilated area.

Never carry a plastic container with gasoline in the cargo area while riding. Static electricity between the cargo area and container could cause a spark.

Do not smoke or allow open flames or sparks in or near the area where refueling is performed, or where gasoline is stored.

Do not overfill the tank. Do not fill to the tank neck.

If gasoline spills on your skin or clothing, immediately wash it off with soap and water and change clothing. Never start the engine or let it run in an enclosed area. Engine exhaust fumes are poisonous and can cause loss of consciousness or death in a short time.

The engine exhaust from this product contains chemicals known to cause cancer, birth defects or other reproductive harm. Operate this vehicle only outdoors or in well-ventilated areas.

Avoid Burns from Hot Parts

The exhaust system and engine become hot during operation. Avoid contact during and shortly after operation to avoid burns.

OPERATOR SAFETY

Owner Responsibilities

Be Qualified and Responsible

Read this Owner's Manual and the warning decals on this vehicle carefully. Take a safety training course on open areas if available. Practice at low speeds. Higher speeds require greater experience, knowledge and suitable riding conditions. Become completely familiar with the operational controls and the general operation of the vehicle.

This vehicle is an ADULT VEHICLE ONLY. Operation is prohibited for anyone under 16 years of age. Operators must be tall enough to be properly seated back against the backrest with the seat belt fastened, to hold the steering wheel with both hands and still be able to reach the full stroke of brake and throttle pedals with the right foot, and able to firmly plant their left foot on the footrest.

Operators may be required to have a proper driver's license in accordance with local laws.

Carrying a Passenger

- Do not carry more passengers than allowed. Passengers must ride in a passenger seat.
- Passengers must be at least 12 years old and tall enough to always be properly seated against the backrest with the seat belt fastened, holding handhold, with both feet firmly planted on the vehicle floor.
- Never carry a passenger who has used drugs or alcohol, or is tired or ill. These slow reaction time and impair judgment.
- Instruct the passenger to read the vehicle's safety labels.
- Never carry a passenger if you judge their ability or judgment is insufficient to concentrate on the terrain conditions and adapt accordingly. More specifically for side-by-side vehicles, the passenger must also pay constant attention to the terrain ahead and be able to brace for bumps.

OPERATOR SAFETY

Riding Carefully

- This vehicle is not a toy and can be hazardous to operate. This vehicle handles differently from other vehicles such as motorcycles or cars. A collision or rollover can occur quickly, during abrupt maneuvers such as sharp turns, acceleration or deceleration, and driving on hills or over obstacles if you fail to take proper precautions.
- Never operate at excessive speeds. Always operate at a speed that is proper for the terrain, visibility, and operating conditions, and your experience.
- Never attempt jumps, side slides, donuts, or any other stunts.
- Never attempt rapid acceleration or deceleration when performing a sharp turn. This may result in a rollover.
- Never attempt skidding or sliding. If vehicle starts to skid or slide, counter steer in the direction of skidding or sliding. On extremely slippery surfaces, such as ice, go slowly and be very cautious in order to reduce the chance of skidding out of control.
- Always be sure there are no obstacles or people behind the vehicle when reversing. Pay attention to blind spots. When it is safe to proceed in reverse, go slowly.
- Never exceed the stated load limits for this vehicle. Cargo must be properly secured. Reduce speed, allow for greater braking distance and follow other instructions in this manual.
- Ensure that cargo is well distributed in the cargo box. Otherwise, it could change the center of gravity and may result in rollover.

Roll Over Protection System (ROPS)

- The ROPS on this vehicle meets the performance requirements of ISO 3471:2008. The ROPS can limit intrusions of outside objects and reduce your risk of injury in rollovers.

OPERATOR SAFETY

- Always follow all safe operating practices outlined in this manual to avoid vehicle rollover.
- Do not put your hands and/or feet outside of the vehicle when driving. The ROPS will not protect you from injury in all rollovers.
- Always have your authorized CFMOTO dealer thoroughly inspect the ROPS if it ever becomes damaged in any way.

Occupant Restraint System

- This vehicle is designed to carry one driver and passengers wearing proper protective gear.
- The driver and passenger must latch the side doors or side nets and wear the seat belts at all times when riding.

Terrain Conditions

- Avoid sharp turns, abrupt acceleration and sudden braking when passing public roads.
- Always go slowly and be extra careful when operating on unfamiliar terrain. Always be alert to changing terrain conditions when operating this vehicle. Take the time to learn how the vehicle performs in different environments.
- Never operate on excessively rough, slippery or loose terrain until you have learned and practiced the skills necessary to control this vehicle on such terrain. Always be especially cautious on these kinds of terrain.
- Never operate this vehicle on hills too steep for the vehicle or your abilities. Practice on small inclines.
- Always follow proper procedures for climbing or going down hills. Never go over the top of any hill at high speed.
- Never attempt steep hills or side hilling when pulling a trailer.

OPERATOR SAFETY

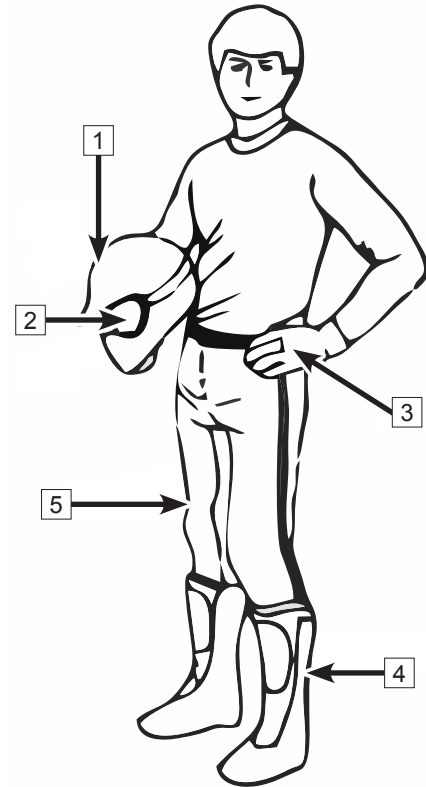
- Always check for obstacles before operating in a new area. Always follow proper procedures when operating over obstacles or fallen trees.
- Never operate this vehicle in deep water or fast flowing water. Remember that wet brakes may have reduced stopping ability. Test your brakes after leaving water. If necessary, apply them several times while driving slowly to let friction dry out the brakes.
- Always ensure to properly park the vehicle on the flattest terrain section available. Put the shift lever in PARK, stop the engine, and remove the key before leaving the vehicle.
- Never assume that the vehicle will go everywhere safely. Sudden changes in terrain caused by holes, depressions, banks, softer or harder ground, or other irregularities may cause the vehicle to topple or become unstable. To avoid this, slow down and always observe the terrain ahead. If the vehicle begins to topple or rollover, the best advice is to immediately steer in the direction of the rollover.
- Never attempt to prevent a rollover with your arms or legs. Always keep limbs inside the ROPS cage.

OPERATOR SAFETY

Safe Riding Gear

Always wear clothing suited to the type of riding. Operating this vehicle requires wearing special protective clothing for comfort and to reduce the chance of injury:

1. A helmet is the most important piece of protective gear for safe riding. An approved helmet can prevent a severe head injury.
2. Eye protection. A pair of goggles or a helmet face shield offers the best protection for your eyes. They should be kept clean and be a shatter-proof design. Do not depend on sunglasses for proper eye protection.
3. Off-road style gloves with knuckle pads are the best for comfort and protection.
4. The best footwear is a pair of strong over-the-calf boots with heels.
5. Always wear long pants and long sleeve shirts to protect arms and legs. Riding pants and a jersey that have kneepads and shoulder pads provide the best protection.

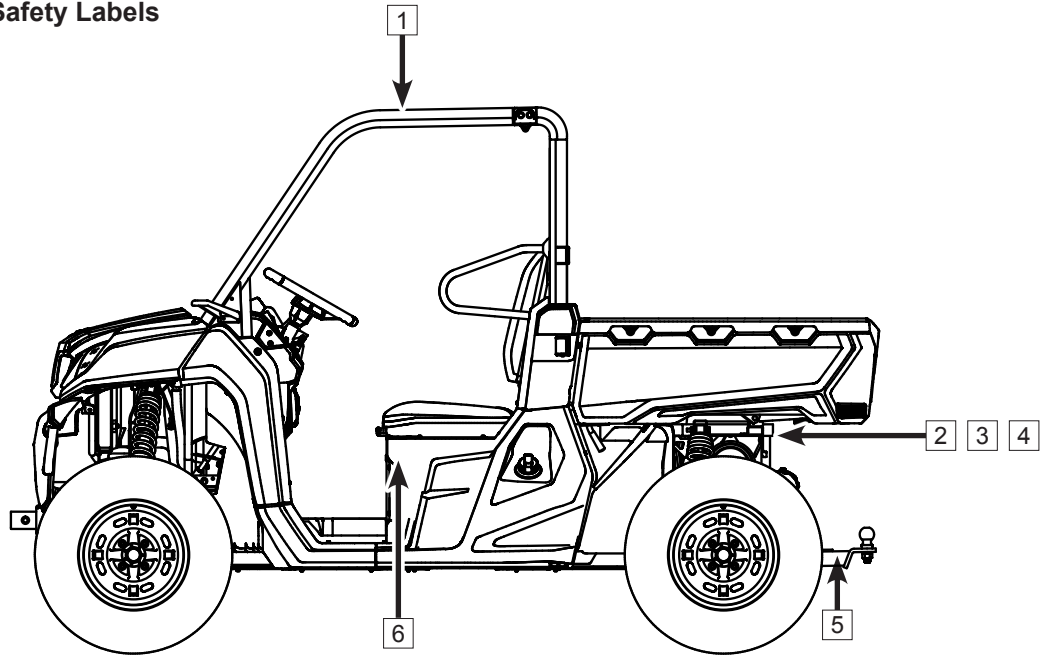


OPERATOR SAFETY

Safety Labels, Locations and Warnings

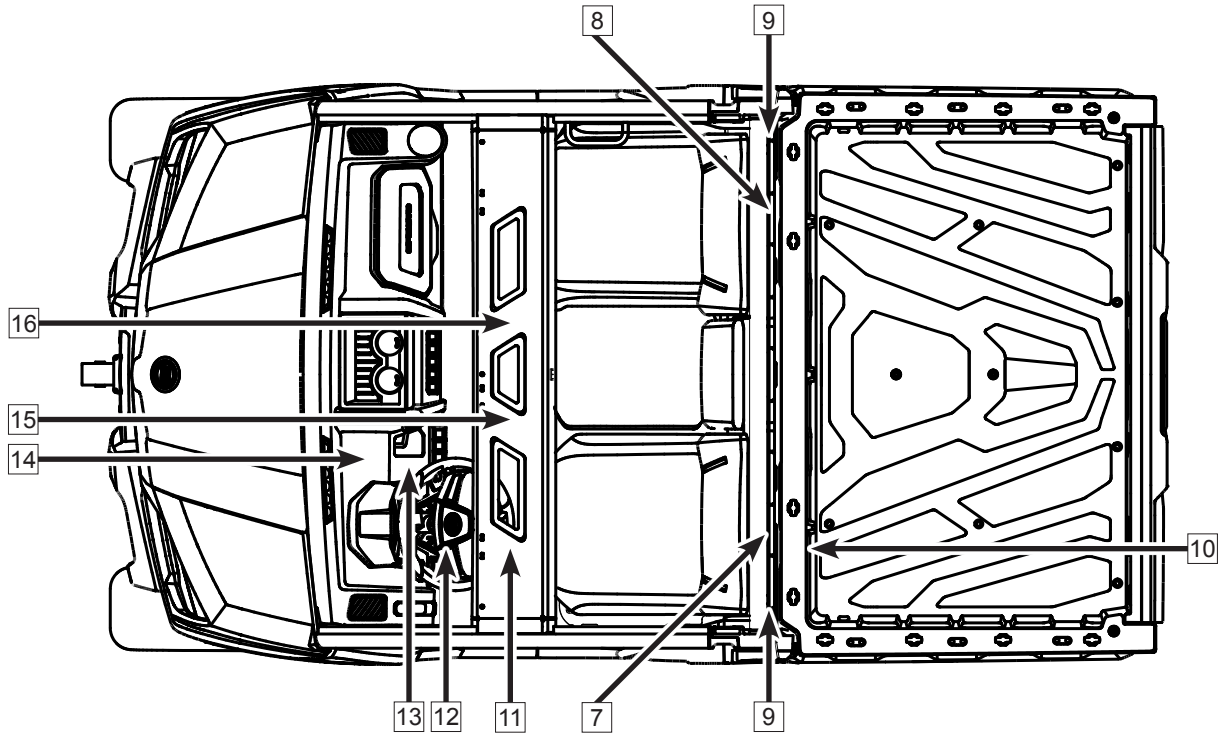
Warning labels have been placed on the vehicle for your protection. Read and follow the instructions on each decal carefully. If a decal becomes illegible or comes off, contact your dealer to purchase a replacement. Read and follow the safety warnings in this manual.

UFORCE 1000 Safety Labels



OPERATOR SAFETY

Safety Labels



OPERATOR SAFETY

Safety Labels

1



2



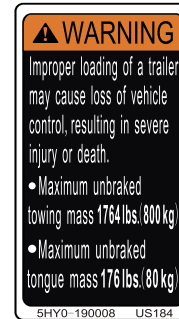
3



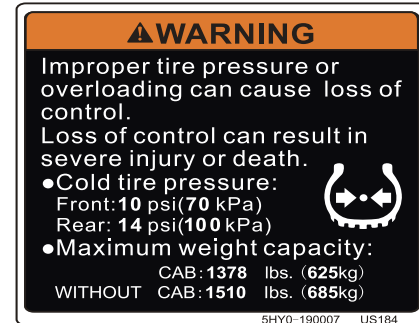
4



5



6



OPERATOR SAFETY

Safety Labels

9

WARNING




Keep hands, body, and other people away from pinch points when lowering bed. Do not hold the cage/frame while closing bed.

SHY0-190006 US17A

7

WARNING



This position is the CVT inlet filter screen. When using the vehicle, the filter screen should be checked, disassembled and clean it if necessary, otherwise the service life of CVT belt will be affected.

SHY0-190019 US182

8

WARNING



This position is the air filter inlet screen. When using the vehicle, the filter screen should be checked, disassembled and clean it if necessary, otherwise engine performance will be affected.

SHY0-190018 US182

12

WINCH CONTROL HANDLE OUTLET




SHY0-190021 US182

11

WARNING

Improper Use of Off-Highway Vehicles Can Cause Severe Injury or Death Be Prepared

- Fasten seat belts and make sure nets or doors are securely latched in place.
- Wear an approved helmet and protective gear.
- Each rider must be able to sit with back against seat, foot flat on the floor or on footrest, and hands on steering wheel or handholds. Stay completely inside the vehicle.




Rollovers have caused severe injuries and death, even on flat, open areas.

Avoid loss of control and rollovers.

- Avoid abrupt maneuvers, sideways sliding, skidding or fishtailing, and never do donuts.
- Avoid hard acceleration when turning, even from a stop.
- Slow down before entering a turn.
- Plan for hills, rough terrain, ruts, and other changes in traction and terrain.
- Avoid paved surfaces.
- Avoid side hilling (riding across slopes).

Be Sure Riders Pay Attention and Plan Ahead If you think or feel the vehicle may tip or roll, reduce your risk of injury:

- Keep a firm grip on the steering wheel or handholds and brace yourself.
- Do not put any part of your body outside of the vehicle for any reason.
- NEVER attach to the cage to pull a load. This can cause the vehicle to tip over.



Read the Operator's Guide and Safety Labels and Watch the Safety Video. Follow All Instructions and Warnings.


SHY0-190002 US184

10

WARNING

Severe **INJURY** or **DEATH** can result if you ignore the following:


- Maximum Load in Cargo Bed: 771 lbs. (350 kg).
- Never carry passengers in cargo bed.
- Cargo can affect handling and stability. Read Owner's Manual before loading or towing.
- When loading with cargo or towing a trailer, Reduce speed and allow more room to stop. Avoid hills and rough terrain.
- Be sure cargo is secured - a loose load could change handling unexpectedly.
- Keep weight in the cargo bed centered, and as low and far forward as possible. Top - heavy loads increase the risk of overturn.



SHY0-190005 US184

14

WARNING



- To avoid transmission damage, shift only when vehicle is stationary and at idle.

APPLY BRAKE TO START

- When this vehicle is not in operation or unattended, place shift in the park position.
- Stop the vehicle and apply the Brake before using the Shift Lever, the 2WD/4WD Switch and the Diff Lock Switch.

- Must use Low Gear if total payload is greater than 584 lbs. (265kg).
- Total payload includes weight of operator, passenger, cargo, accessories and trailer.

SHY0-190017 US184

13

WARNING

Require Proper Use of Your Vehicle

Do your part to prevent injuries:

- Do not allow careless or reckless driving.
- Make sure operators are 16 or older with a valid driver's license.
- Do not let people drive or ride after using alcohol or drugs.
- Do not allow operation on public roads - collisions with cars and trucks can occur.
- Do not exceed seating capacity: 3 occupants.
- Never operate with a passenger under the age of 12. All riders must be able to sit with backs against the seat. Both feet flat on the floor and both hands on the steering wheel (if driving) or on a passenger hand hold.



SHY0-190002 US184

OPERATOR SAFETY

Safety Labels

15

▲WARNING

Any part of your body (arms, legs, or head) outside of the vehicle can be crushed by the cage/frame.



If you think or feel that the vehicle may tip or roll, brace your feet on the floor boards, and keep your hands on the steering wheel.

Do not try to stop a vehicle tip-over by using your arms or legs.

The enclosure cannot protect occupants in all foreseeable accidents, including rollover.

Do not rest hands on door or hip restraint bar. To avoid injury, keep hands completely inside the vehicle by holding the steering wheel or handholds.

SHY0-190003 US184

16

▲WARNING

Any part of your body (arms, legs, or head) outside of the vehicle can be crushed by the cage/frame.



If you think or feel that the vehicle may tip or roll, brace your feet on the floor boards, and keep your hands on the handholds.

Do not try to stop a vehicle tip-over by using your arms or legs.

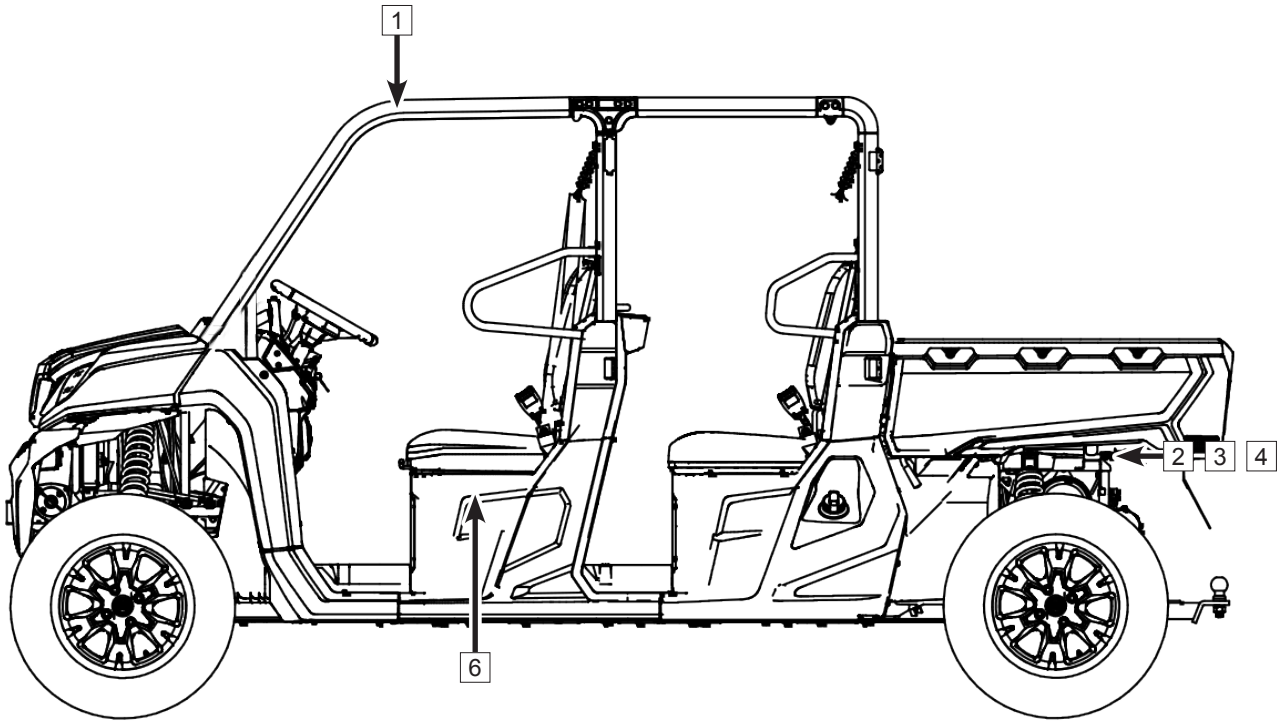
The enclosure cannot protect occupants in all foreseeable accidents, including rollover.

Do not rest hands on door or hip restraint bar. To avoid injury, keep hands completely inside the vehicle by holding the steering wheel or handholds.

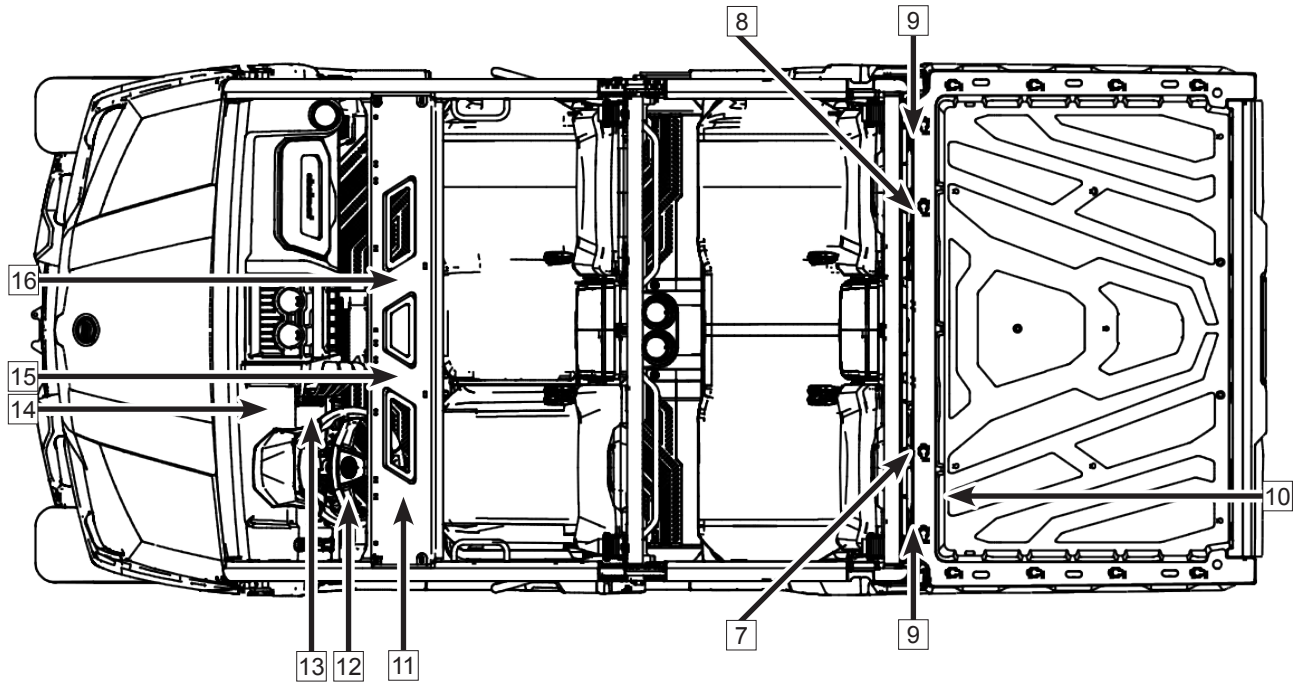
SHY0-190004 US184

OPERATOR SAFETY

UFORCE 1000 XL Safety Labels




OPERATOR SAFETY



OPERATOR SAFETY

Safety Labels

1

 **CFMOTO**

The ROPS meets the performance requirements of ISO 3471: 2008.
 Vehicle model: CF1000UZ-2
 CF1000UU-2
m = 1300 kg for ISO 3471: 2008

5SYV-190101-6001 US218

2

NOTICE

Check engine oil every 500 kilometers (310 miles)
 Vérifier le niveau d'huile moteur tous les 500 kilomètres (310 miles)

905B-190413-US13C

3

CFMOTO Powersports, Inc. certifies that this Recreational Off-Highway Vehicle complies with the current voluntary and applicable American National Standards for ANSI/ROHVA safety standards of the U.S. Consumer Product Safety Commission.

6HY0-190009-1 US189


4

 **WARNING**

REMOVAL OF THIS MUFFLER IS A VIOLATION OF CLEAN AIR ACT § 203 AND CONSIDERED TAMPERING. VIOLATORS ARE SUBJECT TO A FEDERAL FINE OF UP TO \$37,500 PER OCCURRENCE.

9CR6-190204 US1311

5


 **WARNING**

Improper loading of a trailer may cause loss of vehicle control, resulting in severe injury or death.


- Maximum unbraked towing mass **1146 lbs. (520 kg).**
- Maximum unbraked tongue mass **99 lbs. (45 kg).**
- Maximum inertiabraked towing mass **1764 lbs. (800 kg).**
- Maximum inertiabraked tongue mass **99 lbs. (45 kg).**

5HYN-190005-4000 EU211

6

 **WARNING**

Improper tire pressure or overloading can cause loss of control. Loss of control can result in severe injury or death.



• Cold tire pressure:

	3 OCCUPANTS	6 OCCUPANTS
Front	14 psi (100kPa)	17 psi (120kPa)
Rear	17 psi (120kPa)	22 psi (150kPa)


5SYV-190104-6000 US218

OPERATOR SAFETY

Safety Labels

9

⚠ WARNING



Keep hands, body, and other people away from pinch points when lowering bed. Do not hold the cage/frame while closing bed.

SHYD-190006 US17A

7

⚠ WARNING



This position is the CVT inlet filter screen. When using the vehicle, the filter screen should be checked, disassemble and clean it if necessary, otherwise the service life of CVT belt will be affected.

SHYD-190019 US182

8

⚠ WARNING



This position is the air filter inlet screen. When using the vehicle, the filter screen should be checked, disassemble and clean it if necessary, otherwise engine performance will be affected.

SHYD-190018 US182

12

WINCH CONTROL HANDLE OUTLET



SHYD-190021 US182

11

⚠ WARNING

Improper Use of Off-Highway Vehicles Can Cause Severe Injury or Death. Be Prepared.

- Fasten seat belts and make sure nets or doors are securely latched in place.
- Wear an approved helmet and protective gear.
- Each rider must be able to sit with back against seat, foot flat on the floor or on footrest, and hands on steering wheel or handholds. Stay completely inside the vehicle.

Rollovers have caused severe injuries and death, even on flat, open areas.

Avoid loss of control and rollovers:

- Avoid abrupt maneuvers, sideways sliding, skidding or fishtailing, and never do donuts.
- Avoid hard acceleration when turning, even from a stop.
- Slow down before entering a turn.
- Plan for hills, rough terrain, ruts, and other changes in traction and terrain.
- Avoid paved surfaces.
- Avoid side hilling (riding across slopes).

Be Sure Riders Pay Attention and Plan Ahead.

- If you think or feel the vehicle may tip or roll, reduce your risk of injury:
 - Keep a firm grip on the steering wheel or handholds and brace yourself.
 - Do not put any part of your body outside of the vehicle for any reason.
 - NEVER attach to the cage to pull a load. This can cause the vehicle to tip over.

Read the Operator's Guide and Safety Labels and Watch the Safety Video. Follow All Instructions and Warnings.

SHYD-190017 US182

10

⚠ WARNING

Severe **INJURY** or **DEATH** can result if you ignore the following:

- Maximum Load in Cargo Bed: 771 lbs. (350 kg).
- Never carry passengers in cargo bed.
- Cargo can affect handling and stability. Read Owner's Manual before loading or towing.
- When loading with cargo or towing a trailer: Reduce speed and allow more room to stop. Avoid hills and rough terrain.
- Be sure cargo is secured - a loose load could change handling unexpectedly.
- Keep weight in the cargo bed centered, and as low and far forward as possible. Top - heavy loads increase the risk of overturn.

SHYD-190005 US184

14

⚠ WARNING

• To avoid transmission damage, shift only when vehicle is stationary and at idle.

APPLY BRAKE TO START

- When this vehicle is not in operation or unattended, place shift in the park position.
- Stop the vehicle and apply the Brake before using the Shift Lever, the 2WD/4WD Switch and the Diff Lock Switch.
- Must use Low Gear if total payload is greater than 860 lbs. (390 kg).
- Total payload includes weight of operator, passenger, cargo, accessories and trailer.

SSYV-190011-6000 US218

13

⚠ WARNING

Require Proper Use of Your Vehicle

Do your part to prevent injuries:

- Do not allow careless or reckless driving.
- Make operators are 16 or older with a valid driver's license.
- Do not let people drive or ride after using alcohol or drugs.
- Do not allow operation on public roads - collisions with cars and trucks can occur.
- Do not exceed seating capacity: 6 occupants.
- Never operate with a passenger under the age of 12. All riders must be able to sit with backs against the seat. Both feet flat on the floor and both hands on the steering wheel (if driving) or on a passenger hand hold.

DRIVER UNDER 16

SSYV-190102-6000 US218

OPERATOR SAFETY

Safety Labels

15

▲WARNING

Any part of your body (arms, legs, or head) outside of the vehicle can be crushed by the cage/frame.



If you think or feel that the vehicle may tip or roll, brace your feet on the floor boards, and keep your hands on the steering wheel.

Do not try to stop a vehicle tip-over by using your arms or legs.

The enclosure cannot protect occupants in all foreseeable accidents, including rollover.

Do not rest hands on door or hip restraint bar. To avoid injury, keep hands completely inside the vehicle by holding the steering wheel or handholds.

SHY0-190003 US184

16

▲WARNING

Any part of your body (arms, legs, or head) outside of the vehicle can be crushed by the cage/frame.



If you think or feel that the vehicle may tip or roll, brace your feet on the floor boards, and keep your hands on the handholds.

Do not try to stop a vehicle tip-over by using your arms or legs.

The enclosure cannot protect occupants in all foreseeable accidents, including rollover.

Do not rest hands on door or hip restraint bar. To avoid injury, keep hands completely inside the vehicle by holding the steering wheel or handholds.

SHY0-190004 US184

Potential Hazard Warnings

OPERATOR SAFETY

WARNING

POTENTIAL HAZARD:

Operating this vehicle without proper instruction.

WHAT CAN HAPPEN:

The risk of an accident is greatly increased if the operator does not know how to operate the vehicle properly in different situations and on different types of terrain.

HOW TO AVOID THE HAZARD:

Beginning and inexperienced operators should complete a safety training course if offered by dealer. Operators should regularly practice the skills learned in the course and the operating techniques described in the owner's manual.

WARNING

POTENTIAL HAZARD:

Failure to follow the age recommendations for this vehicle.

WHAT CAN HAPPEN:

Severe injury and/or death could occur if a child under the minimum age recommendation operates this vehicle. Even though a child may be within the recommended age group for operating, he/she may not have the skills, abilities, or judgment needed to operate safely and could be susceptible to accident or injury.

HOW TO AVOID THE HAZARD:

Operation is prohibited for anyone under 16 years of age.

OPERATOR SAFETY

WARNING

POTENTIAL HAZARD:

Carrying more passengers than the seat capacity.

WHAT CAN HAPPEN:

A passenger not seated in the vehicle could be ejected from the vehicle unexpectedly or make contact with moving components, both of which can result in severe injury or death.

HOW TO AVOID THE HAZARD:

Never allow carrying more passengers than the seat capacity.

WARNING

POTENTIAL HAZARD:

Operation on paved surfaces such as sidewalks, trails, parking lots, or public highways and streets.

WHAT CAN HAPPEN:

All-terrain tires are designed for off-road use. Driving on paved surfaces greatly affects how a vehicle handles, which can result in loss of control and/or an accident.

HOW TO AVOID THE HAZARD:

Never drive on paved surfaces. If it is unavoidable, slow down and do not make sudden turning or braking maneuvers.

Never operate on public highways or streets if it is not allowed by law. Check local laws to determine if it is legal to do so.

OPERATOR SAFETY

WARNING

POTENTIAL HAZARD:

Operating this vehicle without wearing approved helmet, eye protection, and protective clothing.

WHAT CAN HAPPEN:

Operating without an approved helmet increases the risk of a severe head injury or death in the event of an accident. Operating without eye protection could result in an accident and could increase the chance of a severe eye injury in the event of an accident. Operating without protective clothing could increase the chance of a severe injury.

HOW TO AVOID THE HAZARD:

Always wear an approved helmet that fits properly. Always wear eye protection (goggles or face shield), gloves, long-sleeved shirt or jacket, long pants, and over-the-calf boots.

OPERATOR SAFETY

⚠️ WARNING

POTENTIAL HAZARD:

Operating the vehicle after consuming alcohol or drugs.

WHAT CAN HAPPEN:

Consumption of alcohol and/or drugs could seriously affect operator judgment. Reaction time may be slower and operator balance and perception could be affected. Consumption of alcohol and/or drugs before or while operating a vehicle could result in an accident causing severe injury or death.

HOW TO AVOID THE HAZARD:

Never consume alcohol or drugs before or while operating the vehicle.



OPERATOR SAFETY

WARNING

POTENTIAL HAZARD:

Operating at excessive speeds.

WHAT CAN HAPPEN:

Excessive speed increases the operator's chance of losing control, which can result in an accident.

HOW TO AVOID THE HAZARD:

Always operate at a speed that's proper for the terrain, visibility and operating conditions, and your experience.

WARNING

POTENTIAL HAZARD:

Attempting slides, jumps, and other stunts.

WHAT CAN HAPPEN:

Attempting stunts increases the chance of an accident, including an overturn.

HOW TO AVOID THE HAZARD:

Never attempt slides, jumps, or other stunts.

OPERATOR SAFETY

WARNING

POTENTIAL HAZARD:

Failure to inspect the vehicle before operating. Failure to properly maintain the vehicle.

WHAT CAN HAPPEN:

Poor maintenance increases the possibility of an accident or equipment damage.

HOW TO AVOID THE HAZARD:

Always inspect your vehicle before each use to make sure it's in safe operating condition.

Always follow the inspection and maintenance procedures and schedules described in the owner's manual.

WARNING

POTENTIAL HAZARD:

Extending arms, hands, or legs outside the ROPS bars of the vehicle during operation.

WHAT CAN HAPPEN:

Severe injury can occur to arms, hands, or legs if the vehicle overturns or rolls over in an accident.

HOW TO AVOID THE HAZARD:

Always keep arms, hands, or legs inside the vehicle, hands on the steering wheel or hand grip, and keep both feet on the footrests of the vehicle during operation.

OPERATOR SAFETY

WARNING

POTENTIAL HAZARD:

Failure to use extra caution when operating on unfamiliar terrain.

WHAT CAN HAPPEN:

Unfamiliar terrain may contain hidden rocks, bumps, or holes that could cause loss of control or overturn.

HOW TO AVOID THE HAZARD:

Travel slowly and use extra caution when operating on unfamiliar terrain. Always be alert to changing terrain conditions.

WARNING

POTENTIAL HAZARD:

Turning improperly.

WHAT CAN HAPPEN:

Improper turns could cause loss of control and lead to a collision or overturn.

HOW TO AVOID THE HAZARD:

Always follow proper procedures for turning as described in the owner's manual. Practice turning at slow speeds before attempting to turn at faster speeds. Never turn at excessive speed.

OPERATOR SAFETY

WARNING

POTENTIAL HAZARD:

Failure to use extra caution when operating on excessively rough, slippery or loose terrain.

WHAT CAN HAPPEN:

Operating on excessively rough, slippery or loose terrain could cause loss of traction or loss of control, which could result in an accident or overturn.

HOW TO AVOID THE HAZARD:

Do not operate on excessively rough, slippery or loose terrain until you've practiced and learned the skills necessary to control the vehicle on such terrain. Always use extra caution on rough, slippery or loose terrain.

WARNING

POTENTIAL HAZARD:

Climbing excessively steep hills or climbing hills improperly.

WHAT CAN HAPPEN:

Improper hill climbing could cause loss of control or overturn.

HOW TO AVOID THE HAZARD:

Never operate on hills too steep for the vehicle or for your abilities. Practice on smaller hills before attempting large hills. Always check the terrain carefully before ascending any hill. Never climb hills with excessively slippery or loose surfaces. Never open the throttle suddenly while traveling uphill. The vehicle could flip over backwards. Never go over the top of any hill at high speed. An obstacle, a sharp drop, another vehicle, or person could be on the other side of the hill.

OPERATOR SAFETY

WARNING

POTENTIAL HAZARD:

Traveling down excessively steep hills.

WHAT CAN HAPPEN:

Improper downhill travel could cause loss of control or overturn.

HOW TO AVOID THE HAZARD:

Never operate on hills too steep for the vehicle or for your abilities. Practice on smaller hills before attempting large hills. Always check the terrain carefully before attempting any hill. Never descend hills with excessively slippery or loose surfaces.

NOTE:

Always check the terrain carefully before descending a hill. Never travel down a hill at high speed. Avoid traveling down a hill at an angle. Travel straight down the hill when possible.

OPERATOR SAFETY

WARNING

POTENTIAL HAZARD:

Traveling down excessively steep hills.

WHAT CAN HAPPEN:

Improper downhill travel could cause loss of control or overturn.

HOW TO AVOID THE HAZARD:

Never operate on hills too steep for the vehicle or for your abilities. Practice on smaller hills before attempting large hills. Always check the terrain carefully before attempting any hill. Never descend hills with excessively slippery or loose surfaces.

NOTE:

Always check the terrain carefully before descending a hill. Never travel down a hill at high speed. Avoid traveling down a hill at an angle. Travel straight down the hill when possible.

OPERATOR SAFETY

WARNING

POTENTIAL HAZARD:

Improperly crossing hills and turning on hills.

WHAT CAN HAPPEN:

Improperly crossing or turning on hills could cause loss of control or overturn.

HOW TO AVOID THE HAZARD:

Use extra caution when turning on any hill. Avoid crossing the side of a steep hill.

WHEN CROSSING THE SIDE OF A HILL:

Always follow proper procedures as described in the owner's manual. Avoid hills with excessively slippery or loose surfaces.

WARNING

POTENTIAL HAZARD:

Stalling, rolling backwards while climbing a hill.

WHAT CAN HAPPEN:

The vehicle could overturn.

HOW TO AVOID THE HAZARD:

Maintain a steady speed when climbing a hill.

IF ALL FORWARD SPEED IS LOST:

Close the throttle. Apply the brake. When fully stopped, shift the gear selector to the park position.

OPERATOR SAFETY

IF THE VEHICLE BEGINS ROLLING:

Never apply engine power. Carefully apply the foot brake while rolling backwards. When fully stopped, keep the brake applied, shift the gear selector to the parking position, and determine the best way to safely change direction.

WARNING

POTENTIAL HAZARD:

Improperly operating over obstacles.

WHAT CAN HAPPEN:

Operating over obstacles could cause loss of control or overturn.

HOW TO AVOID THE HAZARD:

Before operating in a new area, check for obstacles. Avoid operating over large obstacles such as rocks and fallen trees when possible. If unavoidable, use extreme caution and always follow proper procedures as outlined in the owner's manual.

OPERATOR SAFETY

WARNING

POTENTIAL HAZARD:

Skidding or sliding.

WHAT CAN HAPPEN:

Skidding or sliding can cause loss of control. If the tires regain traction unexpectedly, the vehicle could overturn.

HOW TO AVOID THE HAZARD:

On slippery surfaces such as ice, travel slowly and use extra caution to reduce the chance of skidding or sliding out of control.

WARNING

POTENTIAL HAZARD:

Overloading the vehicle or carrying/towing cargo improperly.

WHAT CAN HAPPEN:

Overloading and towing can cause changes in vehicle handling, which could lead to loss of control or an accident.

OPERATOR SAFETY

HOW TO AVOID THE HAZARD:

Never exceed the stated load capacity for this vehicle.

Cargo should be properly distributed and securely attached. Reduce speed and always use low gear when carrying cargo or pulling a trailer. Allow a greater distance for braking. Always follow the instructions in the owner's manual for carrying cargo or pulling a trailer.

⚠️WARNING

POTENTIAL HAZARD:

Operation the vehicle through deep or fast-flowing water.

WHAT CAN HAPPEN:

Tires may float, causing loss of traction and loss of control, which can lead to an accident or overturn.

HOW TO AVOID THE HAZARD:

Avoid operating through deep or fast-flowing water. If it is unavoidable to enter water that exceeds the recommended maximum depth, travel slowly, balance your weight carefully, avoid sudden movements, and maintain a slow and steady forward motion. Do not make sudden turns or stops, and do not make sudden throttle changes. Wet brakes may have reduced stopping ability. Always test the brakes after leaving the water. If necessary, apply the brakes several times while driving slowly to dry out the pads.

OPERATOR SAFETY

WARNING

POTENTIAL HAZARD:

Improperly operating in reverse.

WHAT CAN HAPPEN:

The vehicle could collide with an obstacle or person, resulting in severe injury.

HOW TO AVOID THE HAZARD:

Before shifting into reverse gear, always check for obstacles or people behind the vehicle. When it's safe to proceed, back slowly.

WARNING

POTENTIAL HAZARD:

Operating this vehicle with improper tires, or with improper or uneven tire pressure.

WHAT CAN HAPPEN:

Use of improper tires, or operation of the vehicle with improper or uneven tire pressure, could cause loss of control or an accident.

HOW TO AVOID THE HAZARD:

Always use the size and type of tires specified in the owner's manual. Always maintain proper tire pressure.

OPERATOR SAFETY

WARNING

POTENTIAL HAZARD:

Operating the vehicle with improper modifications.

WHAT CAN HAPPEN:

Improper installation of accessories or modification of the vehicle may cause changes in handling which could lead to an accident.

HOW TO AVOID THE HAZARD:

Never modify the vehicle through improper installation or use of accessories. All parts and accessories added to the vehicle must be genuine parts or equivalent components designed for use on this vehicle, and they should be installed and used according to approved instructions. Consult your dealer for more information.

WARNING

POTENTIAL HAZARD:

Operating on frozen bodies of water.

WHAT CAN HAPPEN:

Severe injury or death can result if the vehicle falls through the ice.

HOW TO AVOID THE HAZARD:

Never operate the vehicle on a frozen body of water.

OPERATOR SAFETY

WARNING

Leaving the keys in the ignition can lead to unauthorized use of the vehicle, resulting in serious injury or death. Always remove the ignition key when the vehicle is not in use.

WARNING

After any overturn or accident, have an authorized dealer inspect the entire vehicle for possible damage, including (but not limited to) brakes, throttle and steering systems.

WARNING

Safe operation of this vehicle requires good judgment and physical skills. Persons with cognitive or physical disabilities who operate this vehicle have an increased risk of overturn and loss of control, which could result in severe injury or death.

WARNING

Exhaust system components are very hot during and after use of the vehicle. Hot components can cause serious burns and fire. Do not touch hot exhaust system components. Always keep combustible materials away from the exhaust system. Use caution when traveling through tall grass, especially dry grass.

CONTROLS AND FEATURES

Controls and Features

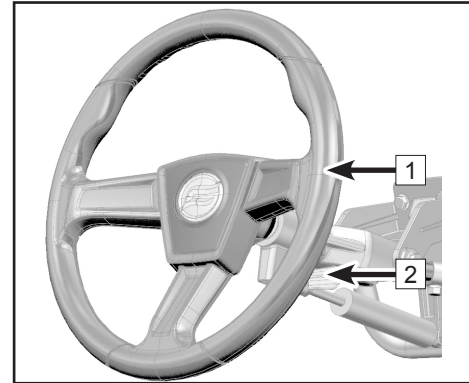
Primary Controls

Steering Wheel - 1

The steering wheel is located in front of the driver's seat.

Tilt Lever - 2

A tilt lever feature allows the steering wheel to be adjusted to fit the operator. Pull down on the lever and adjust the steering wheel tilt angle for comfort. Push up on the lever to lock the steering wheel tilt angle.



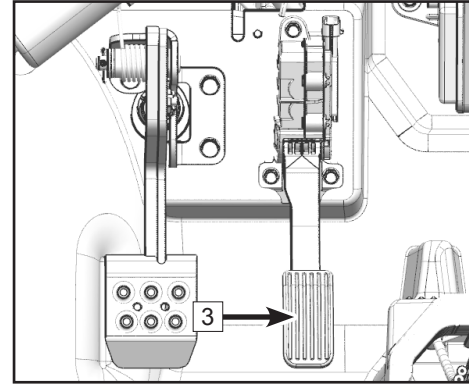
CONTROLS AND FEATURES

Electronic Throttle Pedal - (3)

The Electronic throttle pedal is located to the right of the brake pedal. The throttle pedal controls engine rpm and vehicle speed. To control vehicle speed, press on the throttle pedal with your right foot. Always check the pedal function before driving.

The electronic throttle and electronic throttle body has the following functions:

1. Starting protection function: The vehicle can start directly on N and P gear, and should apply foot brake at the same time while it is on the L or H gear.
2. Reverse override function: The vehicle speed is limited to 25km/h while it is in reverse gear.
3. 4WD-LOCK function: Turn the switch to 4WD-LOCK mode, the vehicle speed is limited to 35km/h. Depress the override button can remove the speed limitation.
4. Idling function: When the vehicle is in N gear, engine RPM is limited to 5000rpm.
5. Brake priority function: When the driver applies both brake pedal and throttle pedal at the same time, the electronic throttle valve will shut off the engine and go back to idle automatically.
6. Limp home function: When a fault of the electronic throttle body or electronic throttle pedal is detected, the system will enter into torque limitation or limp home mode. When faults from electronic throttle body, the engine will enter into torque limitation and RPM turns back to be idling state. When faults from electronic throttle pedal, the vehicle will enter into limp home mode, the top RPM will be less than 5000rpm.



CONTROLS AND FEATURES

Brake Pedal - 4

The brake pedal is located to the left of the throttle pedal. Release the throttle pedal and press the brake pedal with your foot to slow or stop the vehicle.

Shift Lever - 5

The shift lever is located to the right of the driver's seat. The shift lever is used to change the transmission gear selection:

Press the brake pedal before gear shifting, to ensure personnel safety.

L – Low Gear. The low speed range of the gearbox. It allows the vehicle to move slowly with maximum torque at the wheels.

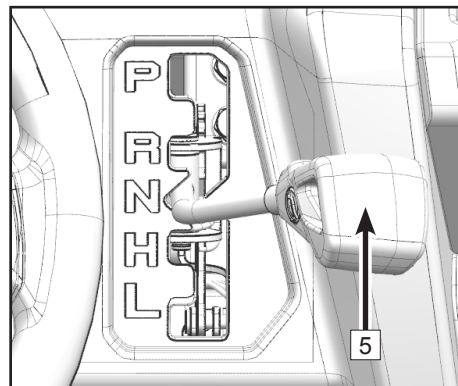
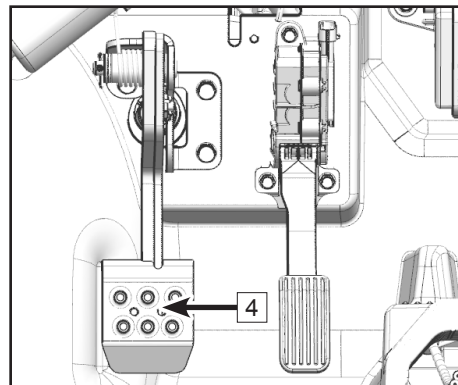
CAUTION: To avoid damage to the CVT system, always use low gear for constant slow travel, to pull a trailer, carry heavy cargo, go over obstacles, or drive up and down hills.

H – High Gear. The high speed range of the gearbox. It is the normal driving speed range. It allows the vehicle to reach its maximum speed.

N – Neutral. In neutral position the engine power take-off is disengaged.

R – Reverse. The reverse gear position allows the vehicle to go backwards.

P – Park. The park position locks the gearbox to help prevent vehicle movement.



CONTROLS AND FEATURES

NOTE:

In reverse operation, the engine's RPM is limited, thus limiting the vehicle reverse speed under 15.5 mph (25 km/h).

 **WARNING**

Use extreme caution driving downhill in reverse. Gravity can increase the vehicle speed above the set limited reverse speed.

 **WARNING**

Always shift to PARK (P) position when the vehicle is not in operation. The vehicle can roll if the shift lever is not set to 'P'. Always use the auxiliary hand brake as an additional precaution to prevent vehicle movement.

CONTROLS AND FEATURES


Secondary Controls

Speed Limit Override Switch - 6

The engine is normally speed limited when operating in 4WD-LOCK. If conditions require more engine power:

- Release the throttle and press the button to override the speed limiting function. The override indicator light will come on.
- Reapply the throttle while this button is pressed.
- Releasing the button restores the speed limiting function.

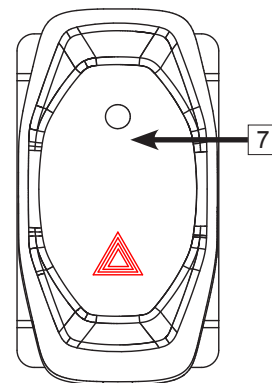
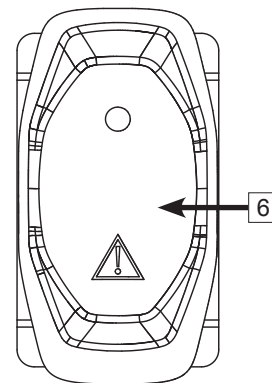
NOTE: Speed limit override is not available in 2WD.

 WARNING
Pressing the override button while the throttle is open in speed limiting mode may cause sudden acceleration, resulting in a loss of control, severe injury, or death. Always release the throttle before pressing the override button.

Hazard Switch - 7

(If equipped - available only in select countries)




When using the hazard switch function, the front and rear turn signal lights will flash. Also, the hazard switch indicator light in the dashboard will light up.





CONTROLS AND FEATURES

Main Light Switch - 8

The main light switch consists of 3 positions. Turn the switch to select the following functions:

	When the switch is at this position, head light, position light, tail light and instrument light are on .
	When the switch is at this position, daytime running light, tail light, and front position light are on.
	When the switch is at this position, only daytime running light is on and all lights are off

Low Beam / High Beam - 9

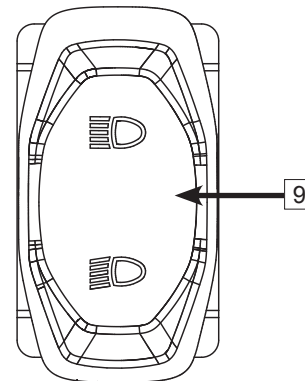
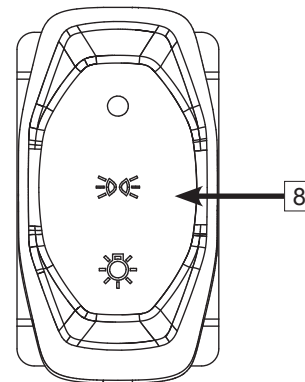
	High Beam is selected when the switch is turned to this position.
	Low Beam is selected when the switch is turned to this position.

NOTE:

Ignition key must be turned to 'ON' before operating head lights.

CAUTION

Do not use the headlights with the engine turned off for more than 15 minutes. The battery may discharge to a point that the starter motor will not operate properly. If this should happen, remove the battery and recharge it.



CONTROLS AND FEATURES

Horn Switch - 10

Press this button, the horn will sound.

Stop Switch - 11

When press the stop switch, the ECU, fuel injector, ignition coil, fuel pump and start system stop working.

2WD / 4WD Switch - 12

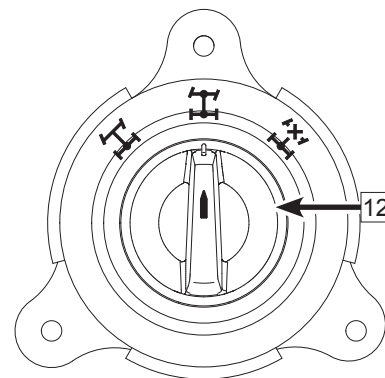
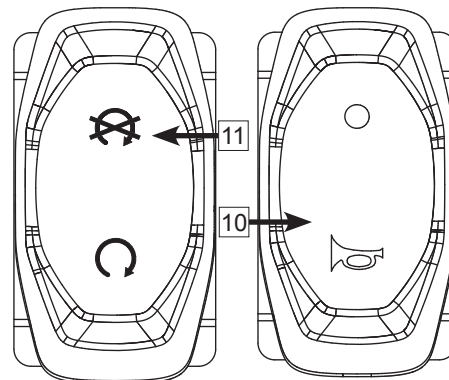
This vehicle is equipped with an on-command “2WD”/“4WD” and front diff-lock “LOCK”/“4WD” switch on the left side of the dashboard.

Select the appropriate drive mode according to terrain and conditions:

Two-wheel drive (2WD): Power is supplied to the rear wheels only.

Four-wheel drive (4WD): Power is supplied to the rear wheels, and to the front wheels.

Four-wheel drive with diff-lock (4WD-LOCK): Power is supplied to the rear and front wheels and the front differential is locked. Unlike 4WD mode, all the wheels turn at the same speed. Speed is limited to 22 mph (35 km/h).



CAUTION

The vehicle must be stopped to engage or disengage 2WD/4WD and 4WD-LOCK. Mechanical damage may occur if the switch is engaged or disengaged while driving.

CONTROLS AND FEATURES

On-Command 2WD / 4WD / 4WD-LOCK Switch Operation

To change from 2WD to 4WD: Stop the vehicle. Turn the switch from left to middle.

The 4WD indicator “” on dashboard light up.

To change from 4WD to 2WD: Stop the vehicle. Turn the switch from middle to left.

The 2WD indicator “” on dashboard light up.

To change to 4WD-LOCK: Stop the vehicle. Turn the switch from middle to right.

The 2WD/4WD diff-lock “” on dashboard light up.

NOTE (4WD-LOCK OPERATION):

Steering will require greater effort in 4WD-LOCK mode.

When the switch is set to “LOCK”, the front diff-lock indicator light will flash until the front differential is locked. If the indicator light is flashing, turning the steering left and right will help the front gear locking mechanism to engage.

Riding before the front differential lock is properly engaged (e.g., the indicator light is flashing) will cause the engine speed to be limited until engagement is complete.

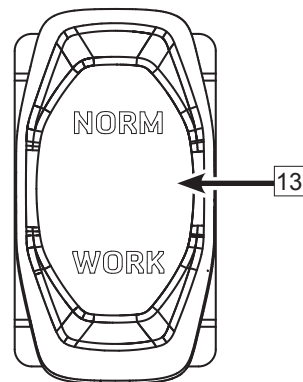
When the vehicle is in 4WD-LOCK, the maximum traveling speed is limited to 22 mph (35 km/h).

If conditions require full engine power to be available, press the override switch on the dashboard to disable the 4WD-LOCK speed limiter.

CONTROLS AND FEATURES

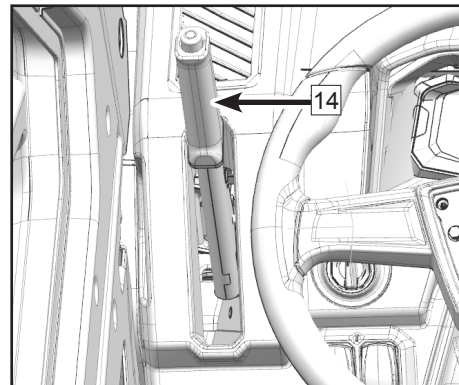
Mode Switch - 13

NORMAL	When the switch is on this position, the vehicle is in 'NORMAL' mode. The dashboard display will also shift to 'NORMAL' mode. The vehicle will have a less aggressive throttle response for smooth starts and is intended for flat trails, hard pack ground, etc. Use for light-duty riding. NOTE: Do not use this mode for driving situations that place high load on the CVT belt. Damage may occur.
WORK	When the switch is on this position, the vehicle is in 'WORK' mode. The dashboard display will also shift to 'WORK' mode. The vehicle will have a faster throttle response. NOTE: Use this mode for work loads, complex terrain or trails, and other driving situations that can place a high load on the CVT belt.



Hand Brake - 14

This vehicle is equipped with an auxiliary hand brake, which is located to the left of the steering wheel. Pull back on the lever to apply the rear brakes and prevent the vehicle from rolling when parked on an incline. To release the hand brake, pull up slightly and press the release button at the end of the lever, then push the lever down to its original position.



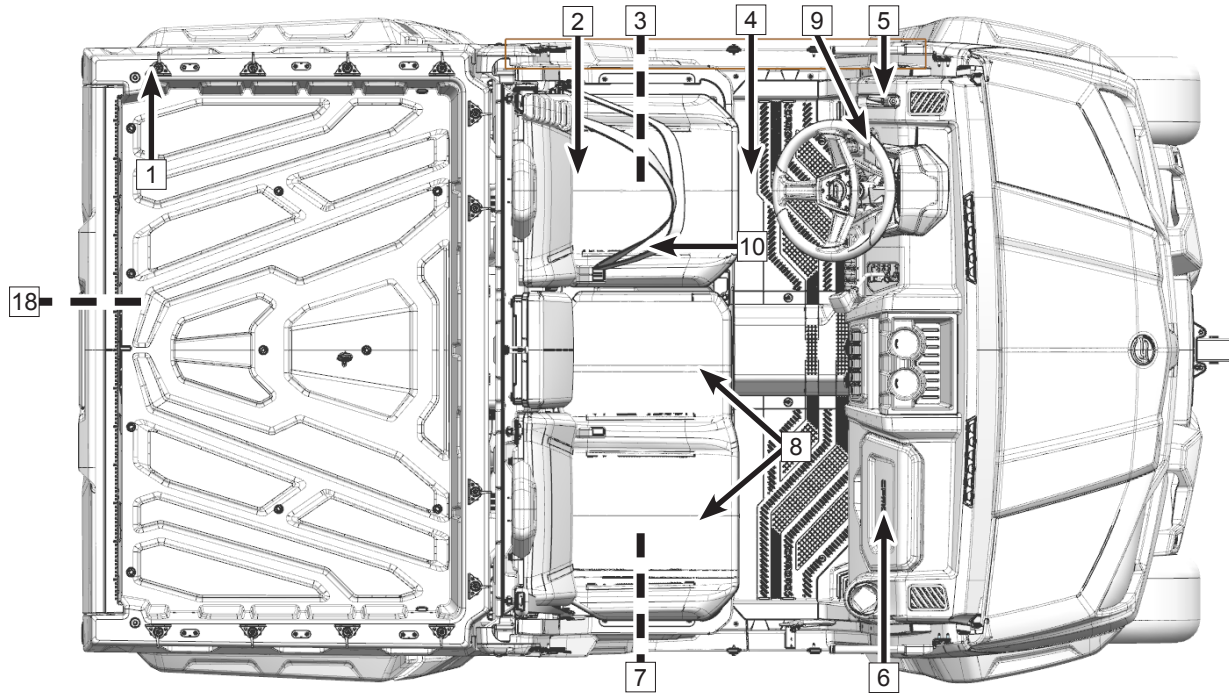
CAUTION

Never depend on the transmission parking feature alone if the vehicle is parked on a hill. Always apply the hand brake and block the wheels on the downhill side of the vehicle to prevent movement. It is recommended to park the vehicle on level ground.

CONTROLS AND FEATURES

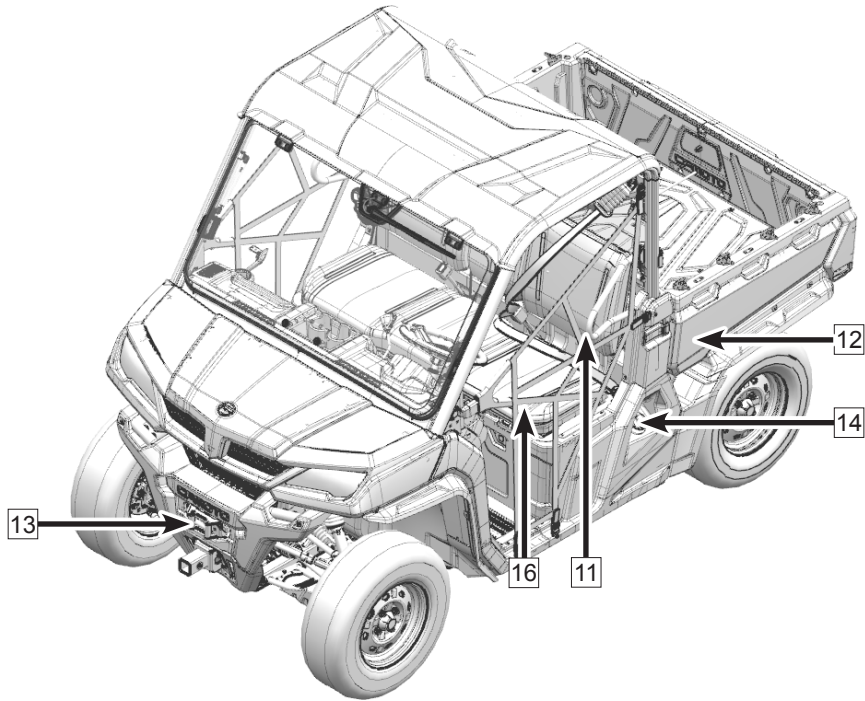
Vehicle Features

Feature Locations - 1



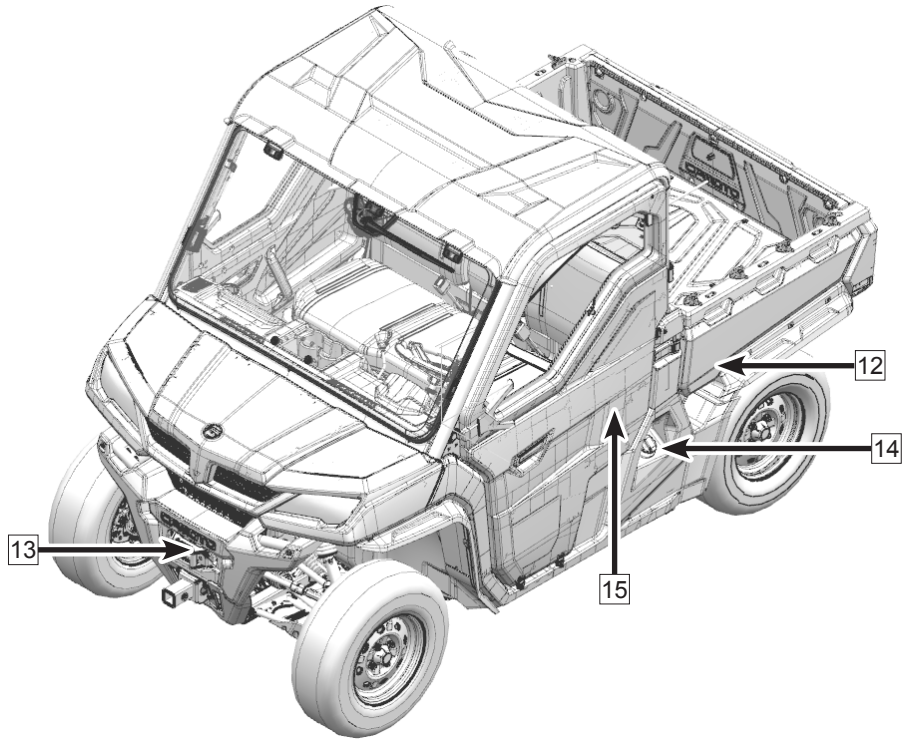
CONTROLS AND FEATURES

Feature Locations – 2



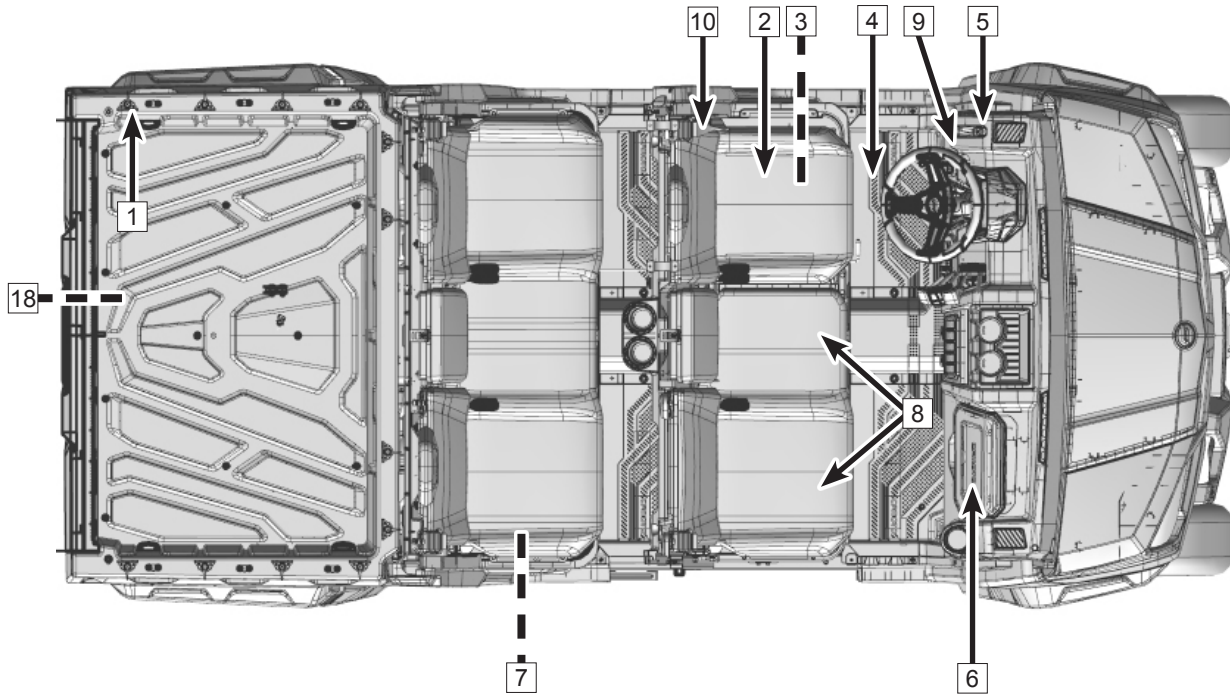
CONTROLS AND FEATURES

Feature Locations - 3



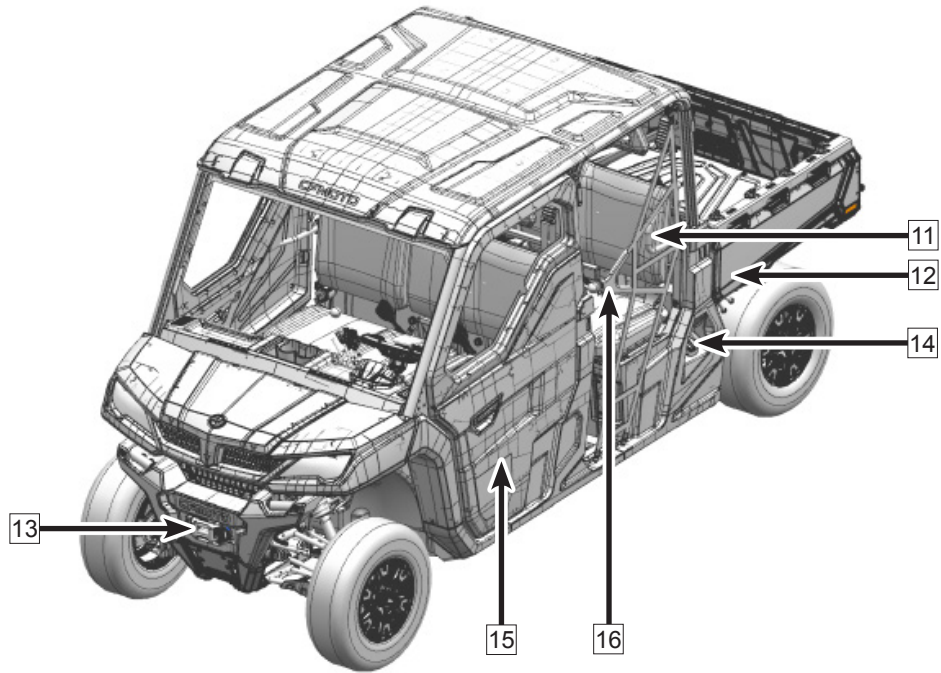
CONTROLS AND FEATURES

Feature Locations - 4



CONTROLS AND FEATURES

Feature Locations - 5



CONTROLS AND FEATURES

Feature Descriptions

Anchoring Hooks - 1

12 anchoring hook points are located inside the cargo area to secure cargo inside the cargo box.

Driver Seat - 2

The driver's seat offers fore and aft adjustment. To adjust the seat, turn the lever to unlock it. Release the lever to lock the seat into desired position. A pull strap at the back of the seat allows the seat to tilt forward for maintenance.

Driver's Seat Storage - 3

This vehicle is equipped with a storage box under the driver's seat made to carry light objects. A pull strap at the back of the seat allows the seat to tilt forward for access.

Footrests - 4

This vehicle is equipped with driver and passenger footrests to allow firmly planting of feet on the vehicle floor, which helps minimize the risk of leg or foot injury and maintain proper body position while riding. Always wear appropriate footwear.

Hand Brake - 5

Press the release button and pull up lever to engage the hand brake. Press the release button and push down to disengage the hand brake before driving.

Portable storage - 6

This vehicle is equipped with an enclosed storage box on the dashboard made to carry the winch controller and light objects.

CONTROLS AND FEATURES

Passenger's seat storage - 7

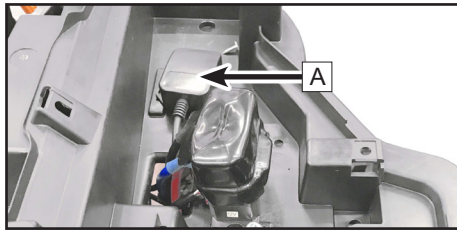
A storage box with basic tools is provided. It is typically stored under the passenger seat.

Passenger Seat - 8

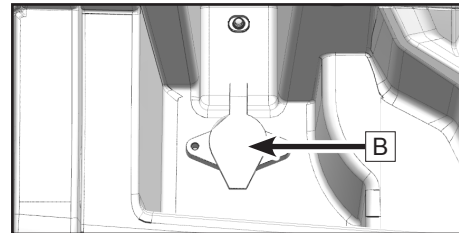
The bench seat is not adjustable. Seat back and seat bottom can be removed when necessary for maintenance or access to storage.

Winch Control Power Port - 9

This vehicle is equipped with a wired winch controller and power port, which can be designated for use if the wireless winch control is not working. The power port is located on the lower left side of the steering wheel.



A Receiver, wireless winch control



B Switch seat, winch power port

Seat Belts - 10

This vehicle is equipped with 3-point seat belts to help protect the driver and passenger in the event of collisions, rollovers or tip-overs and to help keep occupants in the cab. The seat belt indicator light will flash if the seat belt is not fastened during driving.

CONTROLS AND FEATURES

Shoulder Guards - 11

The vehicle is equipped with shoulder guards to help restrain the body of the driver and passenger inside vehicle.

Cargo Box and Tilt Feature - 12

Refer to the safety decals on the cargo box for load information. The cargo box has a release handle on each side that can be used to tilt the box for maintenance or to dump material.

Winch - 13

This vehicle is equipped with a 3500-lb winch. A wireless remote control and a standard winch controller is located in the glove compartment. The winch controller power port is under the hood. To preserve battery power, only operate the winch while the engine is running. Please refer to the winch operation section of this manual for further information or consult with your dealer on the use of the winch before using your vehicle.

Fuel Tank Fill Cap - 14

The fuel tank fill cap is located at the driver side of the vehicle near the driver seat. To fill the tank, grasp the fuel cap firmly, then turn counter-clockwise and remove it. Reinstall the fuel cap securely after a fuel tank fill is completed. The fuel tank capacity is 10.57 gal. (40L).

Side Doors - 15

Side doors are provided on each side of the cab to help arms, legs or shoulders stay inside the vehicle, thus reducing the risk of injuries. (If equipped - available in select countries)

CONTROLS AND FEATURES

Safety Nets - 16

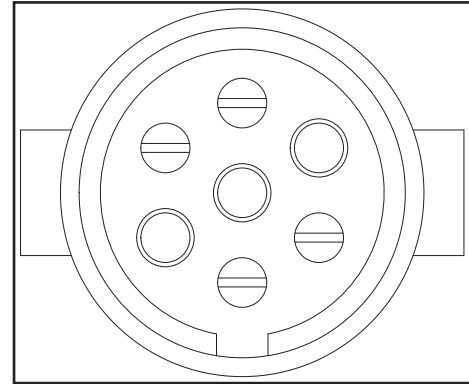
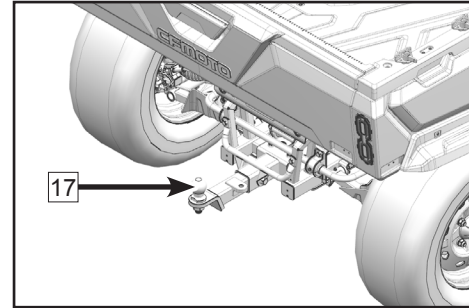
Side nets are provided on each side of the cab to help to protect the driver and passenger in the cab. Always attach the side nets when driving the vehicle. Make sure the four mounting points of side nets are fixed on the vehicle, and buckle the net into the lock connector. (If equipped, available in select countries.)

Towing - 17

This vehicle is equipped with a 2 in. x 2 in. (51 mm x 51 mm) box size standard hitch support, a trailer light receptacle in the right rear inner fender well of the vehicle, and a trailer wiring adapter. Please consult with your dealer on towing and the use of trailers before using your vehicle.

Trailer Power Socket (If equipped) - 18

This vehicle is equipped with 7-pin trailer power socket, located under the rear cargo box. The socket wires are configured to this standard as shown in the image provided. If not equipped, an accessory trailer power socket and power converter is required for trailers that do not have a 7-pin connector. Contact your dealer for more information.

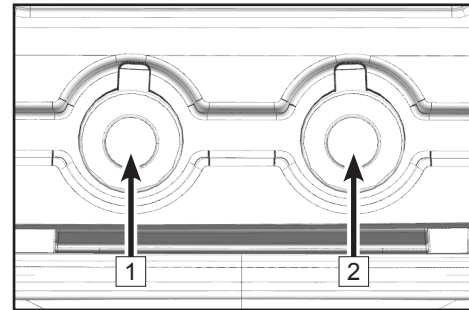


CONTROLS AND FEATURES

Extra Vehicle Features

12 Volt Accessory Power

Auxiliary 12Vdc power and USB outlets are provided on the right side of the dashboard for operating accessories such as hand-held spot lights and charging electronic devices. Please consult with your dealer on the use of powered accessories with your vehicle.



1	12 Volt Accessory Power	2	USB
---	-------------------------	---	-----

CONTROLS AND FEATURES

Wireless Winch Remote Control (1)

This vehicle is equipped with a wireless remote control for operation of the winch system. The wireless remote control is typically stored in the glove box on the passenger side of the dashboard.

To enable the wireless remote control: Press both control buttons at the same time. The indicator light will illuminate, and the controller can be used.

To disable the wireless remote control: Press both control buttons at the same time. The controller and indicator light will turn off.

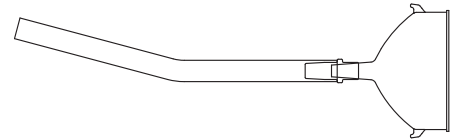
Wired Winch Cable Controller (2) and Power Port

This vehicle is equipped with a wired winch controller, which can be designated for use if the wireless winch control is not working. The power port is located on the lower left side of the steering wheel.



Oil Fill Funnel and Hose

This vehicle is equipped with an oil fill funnel and hose for maintenance, which are stored in the tool box under the passenger's seat.



CONTROLS AND FEATURES

Brake Fluid Reservoir and Level Indicator

Brake master cylinder reservoir level can be viewed under the front access cover. Check the brake master cylinder fluid level before each use of the vehicle. If the fluid level is lower than the “low” mark, determine the cause or refill with brake fluid as necessary.

NOTE:

When checking the fluid levels, the vehicle must be on level ground. If the fluid level is lower than the “lower” mark, add DOT4 brake fluid. Do not overfill.

 WARNING

An over-full master cylinder may cause brake drag or brake lockup, which could result in an accident causing serious injury or death. Maintain brake fluid at the recommended level. Do not overfill.

 WARNING

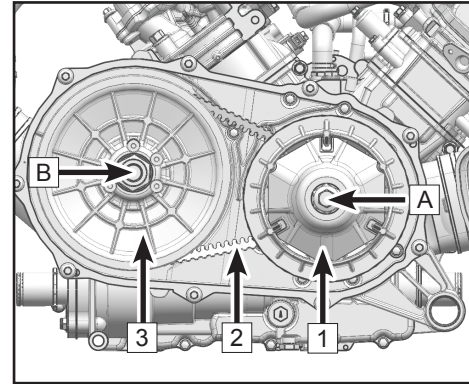
Never store or use a partial bottle of brake fluid. Brake fluid is hygroscopic, meaning it rapidly absorbs moisture from the air. The moisture causes the drop of boiling temperature of the brake fluid, which can lead to early brake fade and the possibility of accident or severe injury. After opening a bottle of brake fluid, always discard any unused portion.

CONTROLS AND FEATURES

CVT System

This vehicle has a Continuously Variable Transmission (CVT) system that utilizes a drive belt and clutch pulleys to automatically vary transmission drive ratios, allowing infinite variability between the highest and lowest vehicle speeds with no discrete steps or shifts.

The CVT system consists of a primary clutch (1), which is an advanced form of centrifugal clutch that is mounted to the engine crankshaft (A).



The secondary clutch (3) is mounted to the input shaft of the transmission (B) and serves two functions; As a “slave” pulley to the primary clutch, and to provide a torque sensing element that shifts drive ratios. The drive belt (2) is a heavy duty V-belt that connects the engine and transmission clutch pulleys.

A CVT housing and cover encloses the clutches and belt assembly. There are inlet and outlet cooling ducts that route air to cool the components, and they should be regularly inspected. The CVT components do not contain any user maintenance items. Contact your dealer for service.

CONTROLS AND FEATURES

Engine Braking System (EBS)

(Australia Market Only)

This vehicle is equipped with an engine braking system. The CVT primary clutch mounted to the engine crankshaft contains a one-way bearing that creates engine braking, which occurs when the throttle is completely closed, the engine is below the primary clutch engagement RPM, and the vehicle is at speed. It uses the engine's compression/resistive force to slow the over-driving transmission speed via the CVT drive belt, thereby slowing the entire vehicle gradually.

Engine braking is always active, and offers the most benefit when:

Used in conjunction with 4WD and 4WD Diff-Lock Modes.

Descending steep or slippery hills.

Descending rocky downhill terrain.

Slowing while towing heavy loads.

Assisting normal brake system application.

EBS is not a substitute for the vehicle brake system, although increased brake pad and disc life are realized when EBS assists normal brake system operation. The EBS is non-adjustable, and does not contain any user maintenance items. Contact your dealer for service.

CONTROLS AND FEATURES

How To Avoid CVT Drive Belt and Component Failure

CVT clutch and belt life can be dramatically extended by avoiding these common operating mistakes:

Causes CVT damage:	Solution:
Attempting to load the vehicle onto a truck bed or tall trailer in high gear.	Shift transmission to low gear during loading of the vehicle to prevent belt burning.
Starting out on a steep incline in high gear.	When starting out on steep inclines, use low gear.
Constant driving at low RPM, driving at just above clutch engagement RPM, or at low speed (approximately 3mph~7mph [5km/h~10km/h]) in high gear.	Low gear is highly recommended for cooler CVT operating temperatures and longer component life. Drive at a higher speed or use low gear more frequently.
Insufficient warm-up of CVT exposed to low ambient temperatures	Warm the engine before driving, the CVT drive belt will become more flexible and prevent belt burning.
Slow throttle and easy CVT engagement.	Use the throttle with purpose and effectively for efficient CVT clutch engagement.
Towing/pushing at low RPM/low ground speed.	Use low gear only.
Utility use/plowing snow, dirt, etc.	Use low gear only.
Heavy vehicle load operating at low speed	Use low gear only.

CONTROLS AND FEATURES

Causes CVT damage:	Solution
Stuck in mud or snow.	Shift the transmission to low gear, and carefully use fast, aggressive throttle application to engage CVT. WARNING: Excessive throttle may cause loss of control and vehicle overturn.
Climbing over large objects from a stopped position.	Shift the transmission to low gear, and carefully use fast, brief, aggressive throttle application to engage the CVT. WARNING: Excessive throttle may cause loss of control and vehicle overturn.
Belt slipping from water or snow ingestion into the CVT system.	Drain the water from the CVT housing and dry the CVT if possible, or contact your dealer.
Overheating of the CVT components causes malfunction.	Contact your dealer for inspection and repair of the CVT components.

CONTROLS AND FEATURES

What to do if water collects in the CVT housing

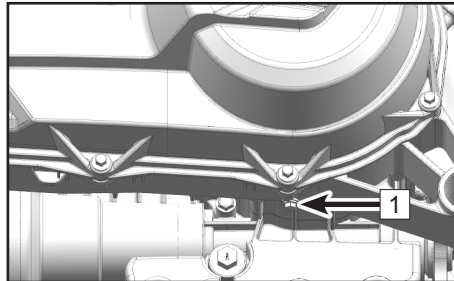
If the vehicle was submerged in water deep enough that water has entered the CVT housing, remove the drain bolt (1) at the bottom of the housing to drain the water from the case.

CAUTION

If water drains from the CVT housing after removing the bolt, have your dealer inspect the vehicle, as water may have affected the CVT system and other engine parts.

Drying a Wet CVT System

If the CVT system was submerged and the drive belt is slipping, any remaining moisture inside the CVT housing after draining can be expelled by running the engine above 2000 RPM in Park or Neutral for 30~60 seconds, then testing for proper CVT function in low gear. Repeat as necessary. If the CVT system continues to slip or have poor performance, contact your dealer.



1 | Drain bolt, CVT housing

CONTROLS AND FEATURES

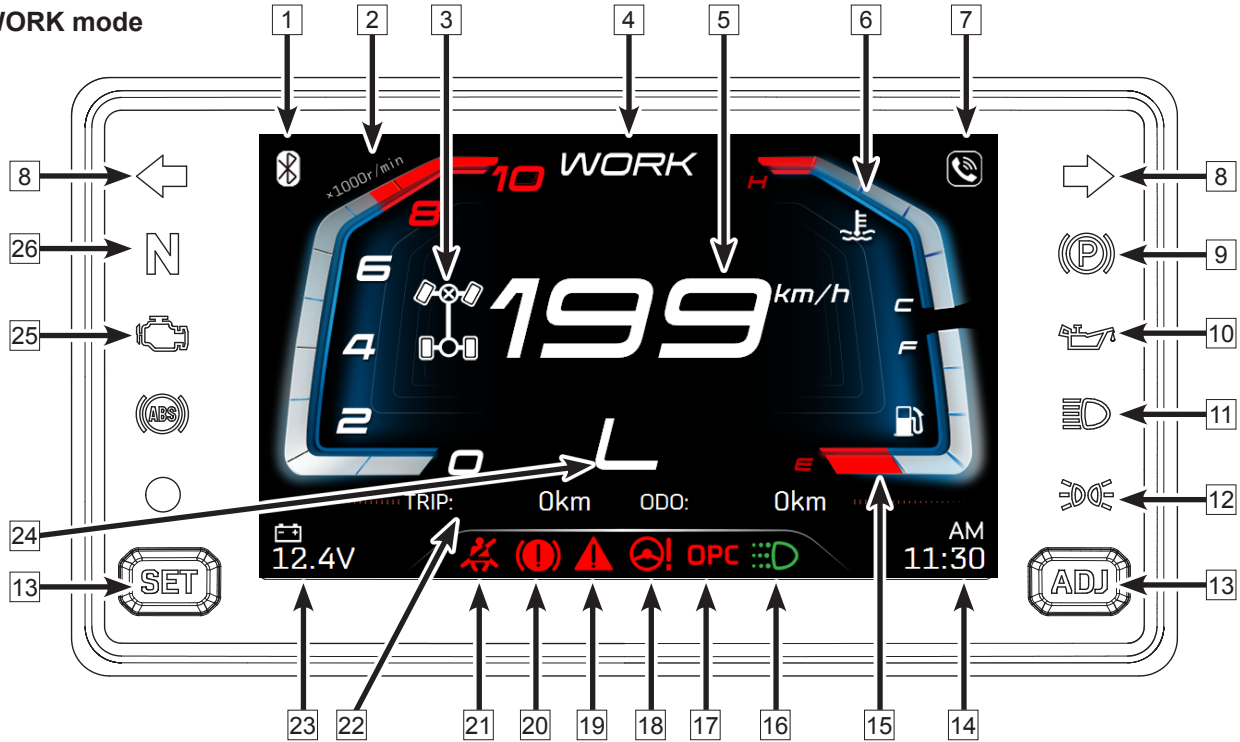
Dashboard Indicators and Warnings - Work Mode

1	Bluetooth indicator	7	Call indicator	13	Adjusting Button	19	Override indicator	25	EFI Fault Indicator
2	Engine RPM	8	Turning light	14	Clock	20	Brake Fault Warning Indicator	26	Neutral Pilot Lamp
3	Drive Method	9	Parking Brake Indicator	15	Fuel Gauge	21	Seat belt warning light		
4	Mode Display	10	Oil Pressure Signal Indicator	16	Daytime running lamp indicator	22	Odometer		
5	Speedometer	11	High-beam light indicator	17	OPC Indicator	23	Voltage Display		
6	Coolant Temperature	12	Position light indicator	18	EPS Fault Warning Indicator	24	Gear Position Display		

CONTROLS AND FEATURES

TFT Dashboard

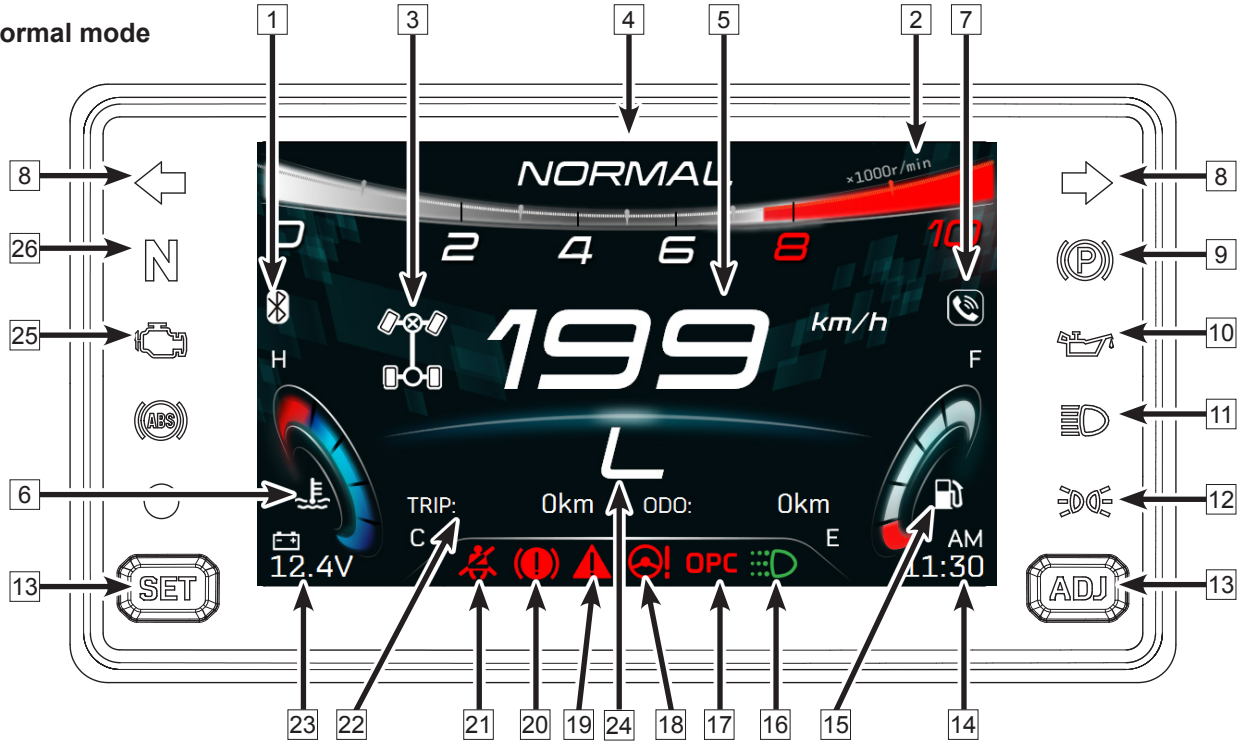
WORK mode



CONTROLS AND FEATURES

TFT Dashboard

Normal mode



CONTROLS AND FEATURES

Dashboard Indicators and Warnings - Normal Mode

Bluetooth Indicator - 1

This vehicle is equipped with bluetooth function for connecting and disconnecting calls from a mobile phone. The bluetooth icon will not light when it is not paired and connected to a phone. It will flash during pairing and connecting, and remains on after pairing successfully and staying connected. The telephone icon will flash when there is an incoming call, it remains on while the call is connected. And it turns off when the call is disconnected.

Short-press the “SEL” button to answer the call, and short-press “ADJ” button to finish the call. To pair, open the bluetooth function in the mobile phone, turn the vehicle main key switch to “ON”, then connect to the vehicle’s bluetooth feature using the phone.

Engine RPM - 2

Indicate the engine current RPM.

Drive Method - 3

It indicates 2WD, 4WD or 4WD-LOCK drive method chosen.

Mode display - 4

Display the selected mode “WORK” or “NORMAL”.

Speedometer - 5

Speedometer. This dashboard section can be toggled to display the vehicle speed in Kilometers per hour (km/h) or Miles Per Hour (MPH).

CONTROLS AND FEATURES

Coolant Temperature - 6

This dashboard section displays the current coolant temperature, 'C' is low temperature, 'H' is high temperature. Both over-low and over-high are abnormal. Idle the vehicle to warm the engine when it's too cold, and park the vehicle when it's too hot to prevent the coolant from boiling. Keep the coolant temperature in a normal range.

Call Indicator- 7

After bluetooth pairing successfully, this indicator flashes when there is an incoming call, and it displays "CALL IN". Short-press "SEL" to accept the call, short-press "ADJ" to finish the call.

Turning Light - 8

If equipped.

Parking Brake Indicator - 9

This indicator displays when parking brake function is activated.

Oil Pressure Signal Indicator - 10

If Oil Pressure Signal Indicator is on. There might be something wrong with the oil system. Please have your vehicle serviced.

High-beam light indicator - 11

This indicator illuminates when the headlight switch is in this position.

Position Light Indicator - 12

This indicator illuminates when the light switch turns to position light.

Adjusting Button - 13

Set the selected function with SEL / ADJ buttons.

CONTROLS AND FEATURES

Clock - 14

This dashboard section can be adjusted to the correct time using the 'SEL' and 'ADJ' buttons. Refer to the 'Navigation / Settings / Adjustments' section of the owner's manual for instructions.

Fuel Gauge - 15

Indicates the fuel level in the fuel tank. "F" indicates the fuel level is about 40 L. When fuel gauge is in red zone, the residual fuel in the fuel tank is about 3 L. Refuel in this case.

Daytime running lamp indicator - 16

When the vehicle starts, daytime running lamp turns on and this indicator displays. When the position light, low beam, high beam and turning light turn on, the daytime running lamp and daytime running lamp indicator will turn off.

OPC Indicator - 17

Occupant Presence Control. This indicator displays if the driver left vehicle without parking. Buzzer will sound at the same time.

EPS Indicator - 18

This indicator light flashes when a fault occurs in the Electronic Power Steering system.

Override indicator - 19

This indicator displays when override function is activated.

Brake Fault Warning Indicator - 20

This indicator displays when brake fluid level is low.

CONTROLS AND FEATURES

Seat belt warning light - 21

Seatbelt Reminder. This indicator displays when the seat belt is not fastened. When latch plate is not pushed into the buckle, indicator on the dashboard will be on and vehicle speed will be restricted to 25km/h; When the latch plate is pushed into the buckle, indicator on the dashboard will be off and vehicle speed limiting feature is disabled.

Odometer - 22

Displays the total mileage or trip mileage the vehicle has traveled. Total mileage or trip mileage can be shifted by using SEL button.

Voltage Display - 23

It displays battery voltage.

Gear position light - 24

This indicator displays gear position when the transmission is in Low (L), High (H), Neutral (N), Reverse (R) or Park (P).

EFI Fault Indicator - 25

This indicator displays when a fault occurs in the Electronic Fuel Injection system.

Neutral Pilot Lamp - 26

This indicator displays when the transmission is in Neutral.

CONTROLS AND FEATURES

TFT Dashboard Settings/Adjustments

State	Display	SET	ADJ	Operation	Result
Display shifting	Engine RPM	Short press		Shift to trip	TRIP
	TRIP	Short press		Shift to engine hour	Engine hour
			Long press		Trip resets to be zero
	Engine Hours	Short press		Shift to dashboard brightness	Dashboard brightness
	Dashboard brightness	Short press		Shift to engine RPM	Engine RPM
Dashboard brightness	Home interface		Short press	Adjust dashboard brightness 1→5→1	Home interface
Time setting, time format shifting, speed unit shifting	Home interface	Long press		Shift to hour setting	Hour setting interface
	Hour setting	Short press		Shift to minute setting	Minute setting interface
			Short press		Hour number add 1 by every press
	Minute setting	Short press		Shift to time format setting	Time format setting interface
			Short press		Minute number add 1 by every press
	Time format setting	Short press		Shift into speed unit setting	Speed unit shifting interface
			Short press		Shift between 12/24 hours display
Speed unit	Short press		Exit from setting mode	Home interface	
		Short press		Shift to speed unit	Speed unit shifting interface
Calling	Incoming calls	Short press		Accept the call	In a call
			Short press	Refuse the call	Home interface
	In a call		Short press	Finish the call	Home interface

OPERATING YOUR VEHICLE

Operating Your Vehicle

Break-In Period

The break-in period for a new engine is very important. Careful treatment of a new engine at the beginning of ownership will result in more efficient performance and longer life. Perform the following procedures carefully:

1. Select an open area that allows room to familiarize yourself with vehicle operation and handling.
2. Place the vehicle on a level surface.
3. Fill the fuel tank with gasoline.
4. Check the engine oil level. Add the recommended oil if necessary to maintain the oil level between the minimum and maximum indicators on the dipstick.
5. Position yourself in the operating position on the vehicle, fasten the seatbelt and safety nets or side doors, and start the engine. Allow the engine to idle for a short period before operating.
6. Press the foot brake, select the desired gear, and then release the foot brake.
7. Apply throttle. Drive slowly at first, varying throttle positions not more than $\frac{1}{2}$ throttle for 10 hours or 100 miles, then another 10 hours or 100 miles of not more than $\frac{3}{4}$ throttle (whichever interval arrives first). Do not operate at sustained idle or sustained wide open throttle.
8. Do not pull or carry any heavy loads during the break-in period.
9. Periodically check coolant level, controls, etc. Along with the items outlined in the periodic maintenance chart.
10. At the end of the break-in period, change the oil and filter (20 hours or 200 miles / 320 km).




OPERATING YOUR VEHICLE

⚠ CAUTION

During the break-in period:

- Do not operate at sustained full throttle. Damage to engine parts or decrease engine life may result if excessive wide open throttle is used during the first 20 hours of use.
- Do not run engine with throttle over 1/2 open during the first 10 hours (or 100 miles/160km) of use.
- Do not run engine with throttle over 3/4 open during the first 10 to 20 hours (or the second 100 miles/160km) of use.
- Do not haul or tow heavy cargo.
- Use of any oil other than those recommended may cause serious engine damage. CFMOTO recommends the use of 10W-40 for 4-stroke engines. Changing engine oil viscosity to 5W-40 due to extreme cold environments or 15W-40 due to hot environments is acceptable. Reference the chart below for ambient temperature and viscosity choice.

Recommended Engine Oil Viscosity

Oil Viscosity	15W-40							
								
	10W-40							
								
5W-40								
								
F°	-22	-4	14	32	50	68	86	104
C°	-30	-20	-10	0	10	20	30	40

OPERATING YOUR VEHICLE

Pre-Ride Inspection

Before each use of the vehicle, a best practice is to complete the pre-ride inspection checklist.

⚠️ WARNING

If a proper inspection is not done before each use, severe damage to the vehicle, severe injury, or death could result. Always inspect the vehicle before each use to ensure it is in proper operating condition.

Throttle

Before starting the engine, check the throttle pedal to be sure it is operating smoothly. Make sure it returns to the idle position as soon as the pedal is released. Regulate the speed of the vehicle by varying the throttle position. Because the throttle pedal is an electrically operated mechanism controlled by an ECU, the vehicle will decelerate and the engine should return to idle speed any time your foot is removed from the throttle pedal.

Foot Brake

Before operating the vehicle, push down on the pedal to apply the front and rear brakes. When pressed, the lever or pedal should feel firm. A soft brake pedal would indicate a possible fluid leak or low master cylinder fluid level, which must be corrected before riding. Contact your dealer for proper diagnosis and repairs.


OPERATING YOUR VEHICLE

Starting the Engine

WARNING

Never run an engine in an enclosed area. Engine exhaust contains poisonous carbon monoxide and can cause loss of consciousness, resulting in severe injury or death.

Starting a cold engine

1. Verify the gear selector is shifted to the Parking or Neutral position.
2. Apply the foot brake.
3. Turn the engine stop switch and main key switch to “” (ON).
4. Verify the throttle is completely closed, then turn the key start switch.
5. Once the engine starts, continue to warm the engine for a short period before operating the vehicle.

NOTE:

Do not activate the starting system more than 10 seconds on each attempt. If the engine fails to start, release the start switch, pause a few seconds before the next attempt, then try the start switch again. Each attempt should be as short as possible to preserve battery energy.

The engine should only be started when the vehicle is at the neutral gear or parking gear. If the neutral indicator light on the dashboard does not come on when the gear selector is in the neutral position, contact your dealer to inspect the indicator electrical circuit or adjust the gear shifting system.

CAUTION

Allow the engine to warm up for a short period before operating the vehicle. Operating the vehicle immediately after starting could cause engine damage.

OPERATING YOUR VEHICLE

Shifting the Transmission

CAUTION

To avoid transmission damage, return the throttle to the closed position, stop the vehicle, and apply the foot brake before shifting.
--

NOTE:

Low gear is the preferred transmission gear selection for all forward motion other than prolonged high speed travel.

Shifting Out of Park

1. Verify the throttle is closed.
2. Apply the foot brake and press the gear selector button.
3. Shift to the desired gear by moving the gear selector along the shift guide.

Shifting: Neutral to High Gear

1. Verify the throttle is closed and the vehicle is stopped completely.
2. Apply the foot brake.
3. Shift to 'H' by moving the gear selector along the shift guide.

Shifting: High Gear to Low Gear

1. Verify the throttle is closed and the vehicle is stopped completely.
2. Apply the foot brake.
3. Shift to 'L' by moving the gear selector along the shift guide.

OPERATING YOUR VEHICLE

Shifting: Low Gear to High Gear

1. Verify the throttle is closed and the vehicle is stopped completely.
2. Apply the foot brake.
3. Shift to 'H' by moving the gear selector along the shift guide.

Shifting: to Reverse Gear

1. Verify the throttle is closed and the vehicle is stopped completely.
2. Apply the foot brake and press the gear selector button.
3. Shift to 'R' by moving the gear selector along the shift guide.
4. Check behind you for people or obstacles, then release the rear brake pedal.
5. Apply the throttle lever gradually and continue to watch behind you while moving backward.

WARNING

Before shifting into reverse, make sure there are no obstacles or people, and the area is safe behind you. When it is safe to proceed, go slowly.

Avoid excessive throttle operation while in speed limit mode, as it may cause fuel to build in the exhaust, resulting in engine popping and/or engine damage.

OPERATING YOUR VEHICLE

Shifting: to Park

1. Verify the throttle is closed and the vehicle is stopped completely.
2. Apply the foot brake and press the gear selector button.
3. Shift to 'P' by moving the gear selector along the shift guide. Shake the vehicle forward and backward to verify that parking is engaged.

NOTE:

- The gear shift indicators should display corresponding to the actual gear position, if the indicator does not display, ask your dealer to inspect the vehicle electrical circuit or adjust the gear shifting system.
- Due to the synchronizing mechanism in the engine, an indicator may not display until the vehicle starts moving.
- Do not use high gear for continuous slow speed travel or towing, as this can lead to excessive heating of the clutch system, which may damage components.

SAFE OPERATION - DRIVING SAFELY

Safe Operation - Driving Safely

Responsibilities of the Operator

As the operator of this vehicle, your common sense, judgment, and abilities are the only factors that will prevent injury to yourself, to others around you, and/or damage to the vehicle or environment.

Recreational, Group, and Distance Riding

One of the benefits of this vehicle is that it can take you off-road away from most communities. Stay away from areas designated for other types of off-road use unless it is specifically allowed. This includes snowmobile trails, equestrian trails, cross-country ski trails, mountain bike trails, etc. Join a local ATV club. A club can provide you with a map and advice, or inform you about areas where you can ride.

Always keep a safe distance from other riders ahead of you and behind you when riding in a group. Never operate carelessly or make unexpected maneuvers with other vehicles close by. Stay on designated trails and riding areas, and discourage others from operating in unauthorized locations.

Avoiding Accidents, Rollovers and Tip-overs

Side-by-side vehicles handle differently from other vehicles. Side-by-side vehicles are designed to handle off-road terrain (for example, the wheel base and track width, ground clearance, suspension, drive train, tires, etc.) and as a result, can overturn in situations where vehicles designed for use primarily on paved or smooth terrain may not.

SAFE OPERATION - DRIVING SAFELY

A rollover or other accident can occur quickly during abrupt maneuvers such as:

- Sharp turns or hard acceleration.
- Deceleration when turning.
- When driving on hills or over obstacles.

Abrupt maneuvers or aggressive driving can cause rollovers or loss of control even in flat open areas. If the vehicle rolls over, any part of your body (such as arms, legs, or head) outside of the cockpit can be crushed and trapped by the cage or other parts of the vehicle. You can also be injured by impact with the ground, cab, or other objects.

To reduce the risk of rollovers:

- Use care when turning.
- Adjust steering inputs accordingly to your speed and environment.
- Slow down before entering a turn.
- Avoid hard braking during a turn.
- Avoid sudden or hard acceleration when turning, even from a stop or low speed.
- Never attempt donuts, skids, slides, fishtails, jumps, or other stunts.
- If vehicle starts to skid or slide, steer in the direction of the skid or slide.
- Never slam the brakes and lock the wheels.
- This vehicle is built primarily for OFF-ROAD purposes. Riding on paved surfaces may seriously affect vehicle handling and control. If you must drive on paved surfaces for a short distance, reduce speed and avoid abrupt inputs to steering wheel, accelerator and brake pedals.

SAFE OPERATION - DRIVING SAFELY

This vehicle can roll over sideways, or tip over forward or backwards on slopes or uneven terrain:

- Avoid side hilling (driving along the slope rather than up or down a hill). When possible, drive straight up and down inclines rather than across them. If you must side hill, use extreme caution and avoid slippery surfaces, objects, or depressions. If you feel the vehicle start to rollover or slide sideways, steer downhill if possible.
- Avoid steep hills and follow procedures in this manual for climbing and descending hills.
- Sudden changes in terrain such as holes, depressions, banks, softer or harder ground or other irregularities may cause the vehicle to tip or become unstable. Observe the terrain ahead and slow down in areas of uneven terrain.

This vehicle will handle differently when carrying or pulling a load:

- Reduce speed and follow instructions in this manual for carrying cargo or pulling a trailer.
- Avoid hills and rough terrain.
- Allow more distance to stop.

Be prepared in case of rollover:

- Latch side doors or side nets and fasten seat belts to help you avoid sticking out arms or legs.
- Never grab the cage while riding. Hands can be crushed between the cage and the ground in a rollover. Keep hands on the steering wheel or handhold.
- Never try to stop a rollover using your arms or legs. If you think that the vehicle may tip or roll, the driver should keep both hands on the steering wheel and both feet firmly planted on the floor. The passenger should keep both hands on the handhold and both feet firmly planted on the floor.

SAFE OPERATION - DRIVING SAFELY

Avoiding Collisions

At higher speeds, there is an increased risk of losing control, particularly in challenging off-road conditions, and the risk of injury in a collision is greater. Never operate at excessive speeds. Always go at a speed that is proper for the terrain, visibility, and operating conditions, and your experience. This vehicle does not have the same kind of protection for collisions as a car; for example, there are no air bags, the cab is not fully enclosed, and it is not designed for collisions with other vehicles. Therefore, it is particularly important to fasten seat belts, latch side doors or side nets, and wear proper riding gear.

Environment

Off-road recreation is a privilege. Maintain your privilege by respecting the environment and the rights of others to enjoy it:

- Chasing wildlife is illegal. Wildlife can die of exhaustion if chased by a motorized vehicle.
- Never purposely damage the terrain unless the operating area is designated for that type of activity.
- Observe the rule... "what you take in, carry out". Do not litter.

SAFE OPERATION - DRIVING SAFELY

Practice Exercises

Before you go out for a ride, it is very important to familiarize yourself with the handling of your vehicle by practicing in a controlled environment. Find a suitable area to practice and perform the following exercises. It should be at least 147x147 ft. (45x45 m), and free of obstacles like trees and large rocks.

Remember: Avoid higher speeds until you are thoroughly familiar with the operation of your vehicle.

NOTE:

Low gear is the preferred transmission gear selection for all forward motion other than prolonged high speed travel. Do not use high gear for continuous slow speed travel or towing, as this can lead to excessive heating of the clutch system, which may damage components.

Turning Exercise

Turning is one of the most frequent causes of accidents. It is easier for the vehicle to lose traction or rollover if you turn too sharply, or go too fast. Slow down when you approach a turn.

Practice turning:

- First, learn how to perform slight right turns at very low speeds. Release the throttle before turning and slowly reapply the throttle.
- Repeat the turning exercise, but this time maintain the throttle at the same level while turning.
- Finally, repeat the turning exercise while accelerating slowly.
- Practice exercises turning to the left.

SAFE OPERATION - DRIVING SAFELY

Note how your vehicle reacts in these different exercises. CFMOTO recommends releasing the throttle before entering a turn to help initiate directional change. You will feel the lateral force increasing with the speed and with your steering input. The lateral force should be maintained as low as possible to make sure it does not cause the vehicle to roll over.

U-turn Exercise

Practice doing U turns:

- Accelerate slowly and while remaining at low speed, gradually turn the steering wheel to the right until you have completed the U-turn.
- Repeat U-turn exercise with different steering inputs and always at a very low speed.
- Repeat U turn exercise to the left.

As mentioned before in this manual, do not ride on paved surfaces. The vehicle behavior will not be the same, increasing the risk of rollover.

Braking Exercise

Practice braking to get familiar with the brake response:

- Practice braking at low speed first, then increase the speed.
- Practice braking in straight line at different speeds and different braking forces.
- Practice emergency braking. Optimal braking is obtained in straight line, with high force applied, without locking the wheels.

Remember, braking distance depends on vehicle speed, load and the type of surface. Also, the tires and brakes conditions play a major role.

SAFE OPERATION - DRIVING SAFELY

Reverse Exercise

Practice using the reverse:

- Place 1 cone marker on both sides of the vehicle beside each rear wheel.
- Move the vehicle forward until you can see the cone markers behind you, then stop the vehicle. Acknowledge the distance required to see obstacles behind you.
- Learn how the vehicle handles in reverse and reacts with steering inputs.
- Always perform this reverse exercise at slow speeds.
- Become familiar with the use of the speed limit override function (4WD-LOCK only). Do not make abrupt steering inputs while using the override, as it increases the risks of rollover.

Emergency Engine Stopping Exercise

Learn how to stop your engine quickly in an emergency situation:

- While running at low speed, simply turn the ignition key to the off position. This is to familiarize you with the vehicle's reaction when the engine is turned off while driving and to develop this reflex.

SAFE OPERATION - DRIVING SAFELY

Operating Your Vehicle

Off-Road Operation

The very nature of off-road operation is dangerous. Any terrain which has not been specially prepared to carry vehicles presents an inherent danger where terrain substance, shape, and steepness are unpredictable. The terrain itself presents a continual element of danger, which must be knowingly accepted by anyone venturing over it.

An operator who takes a vehicle off-road should always exercise the utmost care in selecting the safest path and keeping close watch on the terrain ahead. This vehicle should never be operated by anyone who is not completely familiar with the driving instructions applicable to the vehicle, nor should it be operated on steep or treacherous terrain.

General Driving Tips

Care, caution, experience and driving skill are the best precautions against the hazards of vehicle operation. Whenever there is the slightest doubt that the vehicle can safely negotiate an obstacle or a particular piece of terrain, always choose an alternate route. In off-road operation, power and traction, not speed, are important. Never drive faster than visibility and your ability to select a safe route permit. Never operate the vehicle if the controls do not function normally. See your dealer.

Operating in Reverse

When operating in reverse, check that the path behind the vehicle is free of people or obstacles. Pay attention to blind spots. When it is safe to proceed in reverse, go slowly and avoid sharp turns.

 WARNING
--

Steering inputs in reverse operation increase the risk of rollover.
--

SAFE OPERATION - DRIVING SAFELY

WARNING

When driving downhill in reverse, gravity can increase the vehicle speed above the set limited reverse speed. Failure to use caution when operating in reverse can result in serious injury or death.

NOTE:

This vehicle is equipped with a reverse speed limiter function. In reverse operation, the engine RPM is limited, thus limiting the vehicle reverse speed. Do not operate at wide open throttle. Open the throttle just enough to maintain a desired speed.

Crossing Paved Roads

If you have to cross a paved road, ensure to have complete visibility on both sides for incoming traffic and decide on exit point on other side of road. Drive in a straight line toward that point. Do not make sharp direction changes or abrupt accelerations as it may result in a rollover situation. Do not travel on sidewalks or bicycle trails, as they are designated specifically for those uses.

Riding on Paved Surfaces

Avoid paved surfaces. This vehicle is not designed to operate on paved surfaces and is more likely to roll over. If you must drive on pavement, turn gradually, go slowly, and avoid abrupt acceleration and braking.

Shallow Water Crossing

Water can be a unique hazard. If it is too deep the vehicle may “float” and topple. Check the water depth and current before you attempt to cross any water. Water depth should not exceed the bottom of the floorboard to safely cross the obstacle.

SAFE OPERATION - DRIVING SAFELY

Beware of slippery surfaces such as rocks, grass, logs, etc., both in the water and on its banks. A loss of traction may occur. Do not attempt to enter the water at high speed. Water will affect the braking ability of your vehicle. Make sure you dry the brakes by applying them several times while driving slowly after the vehicle leaves the water.

What to Do If Vehicle is Submerged

If the vehicle becomes immersed, it will be necessary to have it transported to your dealer as soon as possible. Do not attempt to re-start the engine, as water may have been ingested into the cylinders, which can cause internal damage.

Riding in Mud, Ice or Snow

When performing a pre-ride inspection, pay special attention to locations on the vehicle where mud, ice and/or snow accumulations may obstruct visibility of the tail lamps, clog ventilation openings, block the radiator and fan, and interfere with the movement of controls. Before starting with your vehicle, check the steering, throttle and brake pedals for interference-free operation.

Whenever this vehicle is driven on a snow or ice covered path, the tire grip is generally reduced, causing the vehicle to react differently to control inputs from the operator.

Riding on Sand

Sand and riding on sand dunes is a unique experience, but there are some basic precautions that should be observed. Wet, deep, or fine sand may create a loss of traction and cause the vehicle to slide, drop off or become “bogged” down. If this occurs, look for a firmer base. Again, the best advice is to slow down and be watchful of the conditions.

SAFE OPERATION - DRIVING SAFELY

When riding on sand dunes, it is advisable to equip the vehicle with an antenna-type safety flag. This will help make your location more visible to others over the next sand dune. Proceed carefully should you see another safety flag ahead.

Riding on Gravel, Loose Stones, or Other Slippery Surfaces

Riding on gravel or loose stones is very similar to riding on ice. They affect the steering of vehicle, possibly causing it to slide and tip over especially at high speeds. In addition, braking distance may be affected. Remember that “gunning” the throttle or sliding may cause loose stones to be ejected rearwards which could hit other people.

Crossing Obstacles

Obstacles on the trail should be traversed with caution. This includes rocks, fallen trees, and depressions. You should avoid them whenever possible. Remember that some obstacles are too large or dangerous to cross and should be avoided. As a guideline, never attempt to cross an obstacle higher than the ground clearance of the vehicle. Small rocks or small fallen trees may be safely crossed. Approach obstacles at low speed and to as much a right angle as possible. Adjust speed without losing momentum and do not accelerate abruptly. The passenger must grasp handhold firmly and brace feet on the floor.

Hill Driving Conditions

When driving on hills or slopes, two things are highly important: be prepared for slippery surfaces or terrain variations, obstacles, and brace yourself properly inside vehicle. If you climb or descend a hill that is too slippery or has too loose a surface, you can lose control. If you go over the top of a hill at high speed, you may not have time to prepare for the terrain on the other side. Avoid parking on a slope. Always put the shift lever in PARK and activate the hand brake when stopped or parked, especially on an incline, to avoid rolling. If you must park on a steep incline, block the wheels on the downhill side using rocks or other suitable material.

SAFE OPERATION - DRIVING SAFELY

Uphill Driving

Use the low gear (L) for uphill driving. Due to its configuration, this vehicle has very good traction even while climbing, so much so that tip-over is possible before traction is lost. For example, it is common to encounter terrain situations where the top of the hill has eroded to a point that the hill peak rises very sharply. This vehicle is not designed to negotiate such a condition. Take an alternate route.

If you feel that the slope is getting too steep to climb, apply the brakes to immobilize the vehicle. Put the shift lever in reverse (R), and back straight down the hill, barely releasing brakes to remain at low speed. Do not attempt to turn around. Never coast downhill while the vehicle is in neutral. Do not perform hard braking, as it increases the risk of tip-over.

Downhill Driving

This vehicle can climb steeper slopes than it can descend safely. Therefore, it is essential to assure that a safe route exists to descend a slope before you climb it. Decelerating while negotiating a slippery downhill slope could “toboggan” the vehicle, causing it to slide. Maintain steady speed and/or accelerate slightly to regain control. Never slam the brakes and lock the wheels.

SAFE OPERATION - DRIVING SAFELY

Hauling and Towing Loads

Your vehicle can help you perform a number of different light tasks ranging from snow removal, to pulling wood, or carrying cargo. This can change the vehicle handling. To prevent possible injury, follow the instructions and warnings in this manual and on the vehicle.

Always respect the load limits of the vehicle. Overloading the vehicle can over-stress the components and cause failure.

Carrying Loads

The load limit of the vehicle including the weight of operator, passenger, cargo box load (including towing hitch weight), accessories:

UFORCE 1000: 1509 lb. (685 kg) ; UFORCE 1000 XL: 1455 lb. (660 kg)

Following is an example of suitable total vehicle load distribution:

EXAMPLE OF SUITABLE VEHICLE TOTAL LOADS				
Model	Operator and Passenger	Cargo Box Load (Maximum Permissible Vertical Load On The Coupling Point)	Accessories Storage	Total Vehicle Load
UFORCE 1000	529 lb. (240 kg)	772 lb. (350 kg) 99 lb. (45 kg)	209 lb. (95 kg)	1509 lb. (685 kg)
UFORCE 1000 XL	529 lb. (240 kg)	772 lb. (350 kg) 99 lb. (45 kg)	154 lb. (70 kg)	1455 lb. (660 kg)
	1058 lb. (480 kg)	352 lb. (180 kg) 99 lb. (45 kg)	0 lb. (0 kg)	1455 lb. (660 kg)

WARNING

LOW GEAR is recommended when total payload is greater than 265 kg (584 lb).

SAFE OPERATION - DRIVING SAFELY

Vehicle Settings When Carrying Loads

If the total load approaches to the total rated vehicle load, including weight of operator, passenger, cargo, accessories and trailer tongue weight:

- Inflate the tires to maximum pressure.
- Readjust the suspension coil spring pre-load accordingly.
- Operate with the shift lever in L (low gear) when carrying heavy loads in the cargo box and/or pulling a trailer.

Load Distribution

Your vehicle has been designed to carry or tow a certain amount of load. Always:

- Read and understand the load distribution warnings listed on the warning labels.
- Never exceed the specified weights.
- Cargo weight should be mounted as low as possible.
- When operating over rough or hilly terrain with loads or towing, reduce speed and cargo to maintain stable driving conditions.

Pulling or Towing

Your vehicle is equipped with a hitch receiver and winch for towing or pulling.

Pulling a Load

- Never pull a load by attaching it to the cage. This can cause the vehicle to tip over. Use only the trailer hitch or winch (if installed) to pull a load.
- When pulling loads with a chain or cable, ensure that there is no slack before starting and maintain tension while pulling.

SAFE OPERATION - DRIVING SAFELY

WARNING

Slack can cause a chain or cable to break and snap back, possibly causing injury.

- When pulling a load, respect the maximum hauling capacity.
- If pulling another vehicle, be sure that someone is controlling the pulled vehicle. They must brake and steer to prevent the vehicle from going out of control.
- Reduce your speed when pulling a load and turn gradually to avoid chains, straps, ropes or cables from catching on the rear wheels. Avoid hills and rough terrain. Never attempt steep hills. Allow more distance for braking, especially on inclined surfaces. Be careful not to skid or slide.
- Before pulling loads with a winch, refer to the winch operation section of this manual.

Towing a Load

If a trailer is used behind the vehicle, make sure that its hitch is compatible with the one on the vehicle. Make sure the trailer is horizontal with the vehicle. Use safety chains or cables that keep the trailer secured to the vehicle in the event of a hitch failure.

Improperly loading a trailer may cause loss of control. Respect the recommended maximum hauling capacity and maximum tongue load. Make sure there is at least some weight on the tongue. Follow these guidelines for hauling and towing of cargo:

WARNING

Overloading the vehicle, carrying or towing cargo improperly, can alter the vehicle handling and may cause loss of control or braking instability.

SAFE OPERATION - DRIVING SAFELY

- Always use low gear while towing to avoid clutch wear and belt issues.
- Reduce speed when hauling or towing loads.
- Never exceed the stated load capacity for this vehicle.
- All loads must be secured before operation. Unsecured loads may shift and create unstable operating conditions, which could result in loss of control of the vehicle.
- When operating over rough or hilly terrain, reduce speed and cargo to maintain stable driving conditions.
- Use extreme caution when applying brakes with a loaded vehicle. Avoid terrain or situations that may require backing downhill.
- Load weight distribution should be as low as possible. Carrying a high load raises the center of gravity and creates an unstable operating condition. Reduce load weight when the cargo center of gravity is high.
- When handling off-centered loads that cannot be centered, secure the load and operate with extra caution.
- When operating with loads extending beyond the cargo area, stability and maneuverability may be adversely affected, causing the machine to overturn.
- Towing a load while carrying cargo may cause an imbalanced condition that increases the possibility of vehicle overturn. Balance loads proportionally, but do not exceed the stated load capacity.
- Always attach to the tow using the hitch point and hardware specifically made for towing. Never exceed the recommended Towing Hitch Weight.
- Using chains, straps, rope or other materials to tow objects is not recommended, as these items could get caught in the rear wheels, resulting in vehicle damage or personal injury.

SAFE OPERATION - DRIVING SAFELY

- While towing, the vehicle should never exceed 10 mph (16 km/h) towing a load on a level surface. Vehicle speed should never exceed 5 mph (8 km/h) when towing loads in rough terrain, while cornering, or while ascending or descending a hill.
- When stopped or parked, block the vehicle and trailer wheels from possible movement.
- Use caution when disconnecting a loaded trailer; it or its load may topple on you or others.

MAXIMUM HAULING CAPACITY			
Type of Attachment	Trailer Load Allowed	Trailer Hitch Weight Allowed	Note
2 in. (51 mm X 51 mm) hitch ball support	1763 lb. (800 kg)	99 lb. (45 kg)	Includes trailer and trailer load.

SAFE OPERATION - DRIVING SAFELY

Winch Operation

(Select Markets) Your vehicle may be equipped with a winch that can pull certain capacities and types of loads. It is useful for vehicle self-recovery when stuck, assisting another vehicle in recovery, moving fallen trees, removing brush, etc.

Consider practicing the operation and use of your winch before you actually need to use it.

The safety warnings, operating precautions and instructions in this section apply if your vehicle came equipped with a winch, or if you choose to install an accessory winch on your vehicle:

Winch Safety Warnings

These safety warnings apply if your vehicle is equipped with a winch, or if you choose to install an accessory winch on your vehicle:

- Read and understand all sections of this manual.
- Improper winch use or failure to correctly follow the winch guidelines, instructions, and warnings in this manual can result in SEVERE INJURY or DEATH.
- Improper or lack of winch maintenance and service could lead to SEVERE INJURY or DEATH.
- Always keep body, hair, clothing, and jewelry clear of the winch cable, fairlead, and hook during winch operation.
- Always keep the area around the vehicle, winch, winch cable and load clear of people, pets, and distractions during winch operation.
- Always wear eye protection and heavy gloves during winch operation.
- Never use alcohol or drugs before or while operating the winch.
- Never allow children under 16 years of age to operate the winch.
- Never attempt to “jerk” a load attached to the winch by moving the vehicle.

SAFE OPERATION - DRIVING SAFELY

- Never winch up or down, or to the sides at sharp angles. This can destabilize the winching vehicle and possibly cause it to move without warning.
- Never attempt to winch loads that weigh more than the winch capacity rating.
- Never touch, push, pull, or straddle the cable while winching a load.
- Never let the winch cable run through your hands, even if wearing heavy gloves.
- Never release the drum on the winch when the winch cable is under load.
- Never use the winch for lifting or transporting people.
- Never use the winch to hoist or suspend a vertical load.
- Never retract the hook fully into the winch. This can cause damage to system components.
- Never operate the winch or the vehicle if they are in need of repair or service.
- Always turn the ignition switch OFF and unplug the remote control (if equipped) to prevent inadvertent activation or unauthorized use when the vehicle or winch are not being used.

Winch Operating Precautions

These operating precautions should always be followed if your vehicle is equipped with a winch, or if you choose to install an accessory winch on your vehicle:

- Always inspect your winch and winch cable before each use.
- Always use the provided hook strap when pulling cable out or guiding cable in. Never grab the hook.
- Always align the load directly in front of the vehicle and winch as much as possible. Avoid winching with the cable at a sharp angle to the winching vehicle's centerline whenever possible.

SAFE OPERATION - DRIVING SAFELY

- If winching at an angle is unavoidable, follow these precautions while operating:
 - A. Look at the winch drum occasionally. Never let the winch cable “stack” or accumulate at one end of the drum. Too much cable at one end of the drum can damage the winch and cable.
 - B. If cable stacking occurs, stop winching. Follow the ‘Winch Cable Spooling Guidelines’ section in this manual to redistribute the cable evenly before continuing.
- Always apply the vehicle’s park brake and/or park mechanism to hold the vehicle in place during winching. Use wheel chocks when necessary.
- Always maintain at least five full turns of cable wrapped around the winch drum at all times. The friction provided by the wrapped cable allows the drum to pull on the winch cable and move the load.
- Never grease or oil the winch cable. This will cause the winch cable to collect debris that will shorten the life of the cable.
- The winch motor and relay connector may become hot during continuous use. When winching for more than 45 seconds, or if the winch stalls during operation, stop and allow the winch components to cool for a minimum of 10 minutes before using it again.
- Never operate the winch without running the engine. The engine’s charging system helps keep the battery maintained. Battery reserve capacity can be quickly exhausted by heavy winch use, rendering the starting system inoperable.
- Always operate with concern for the environment. Do not purposely damage trees, etc.

Basic Winch Operation

Follow these operating instructions if your vehicle is equipped with a winch, or if you choose to install an accessory winch on your vehicle. Read *Winch Safety Warnings and Winch Operating Precautions* on the preceding pages before using your winch.

SAFE OPERATION - DRIVING SAFELY

BEFORE YOU BEGIN - Realize that each winching situation is unique:

- Take your time to think through the winch operation you are about to perform.
 - Proceed slowly and deliberately.
 - Never hurry or rush during winching.
 - Always pay attention to your surroundings.
 - Be prepared to change your winching strategy if it is not working.
 - Remember that although your winch is very powerful, there are simply some situations that you and the winch will not be able to deal with. Do not be afraid to ask others for help when necessary.
1. Always inspect the vehicle, winch, cable and controls for signs of damage or parts in need of repair before each use. Pay particular attention to the first 3 feet (1 meter) of winch cable if the winch is used (or has been used) for lifting a plow. Promptly replace any worn or damaged cable.
 2. Apply the vehicle's park brake and/or park mechanism to hold the vehicle in place during winching. Use wheel chocks when necessary.
 3. Release the winch drum and pull out the required length of cable. Always use the hook strap to handle the hook. Never remove the hook strap from the hook.

CAUTION: Always maintain a minimum of five (5) full turns of cable around the winch drum at all times. The friction provided by wrapping cable allows the drum to pull on the cable and move the load.

4. Attach the hook onto the load, or use a tow strap or chain to secure the load to the winch hook. Never hook the winch cable back onto itself. This can damage the winch cable and result in cable failure.

SAFE OPERATION - DRIVING SAFELY

WARNING: Never use a 'recovery strap' for winching. Recovery straps are designed to stretch and could release excessive energy that can result in SEVERE INJURY or DEATH if the strap or winch cable breaks. Use only undamaged tow straps or chains that do not stretch.

5. Re-engage the winch drum.
6. Slowly winch in slack of the winch cable until it is gone, then stop and follow the instructions for 'winch damping' to ensure safe operation:
 - A. Place a damper on the mid-point of winch cable length to absorb energy that could be released by a winch cable failure. A damper can be a heavy jacket, tarp, or other soft, dense object. A damper can absorb much of the energy released if the cable breaks during winching. Even a tree limb can help as a damper if no other items are available to you.
 - B. Lay the damper on top of the mid-point of the winch cable length.
 - C. On a long pull, it may be necessary to stop winching so the damper can be repositioned to a new mid-point. Always release the tension on the winch cable before repositioning the damper.
 - D. Avoid being directly in line with the winch cable whenever possible. Also, never permit others to stand near or in line with the winch cable during winch operation.
7. Stop winching as soon as the job is completed or the load can be moved without the help of the winch.
8. Detach the winch hook, then rewind the cable evenly back onto the drum following the instructions in this manual.

SAFE OPERATION - DRIVING SAFELY

Vehicle Recovery Methods

Vehicle Self-Recovery:

- A. Release the winch drum and pull out the required length of cable.
- B. Whenever possible, pick an anchor point that aligns the winch cable to the vehicle's centerline as close as possible. This will help the spooling of the winch cable and reduce the load on the fairlead.
- C. Attach the winch hook to an anchor point. NOTE: If freeing a stuck vehicle by attaching to a tree, use an item such as a tow strap to avoid damaging the tree during winch operation. Sharp cables and chains can damage and even kill trees. Always respect the environment.
- D. Re-engage the winch drum.
- E. Slowly winch in any slack in the winch cable, then damper it.
- F. Shift to the lowest gear available that will propel the vehicle in the direction of winching.
- G. Carefully apply winch power and throttle together to free the vehicle.

CAUTION: Using the vehicle throttle and winching at the same time has risk and is optional. Place the vehicle in neutral and use only the winch if unsure of your operating abilities.

- H. Stop winching as soon as the stuck vehicle is able to propel itself without the help of the winch.
- I. Detach the winch hook, then rewind the cable evenly back onto the drum following the instructions in this manual.

CAUTION: The ONLY time a winch-equipped vehicle should be moving and using the winch is for self-recovery. The winch-equipped vehicle should NEVER use motion to “shock-load” the winch cable in an attempt to recover a second stuck vehicle. See ‘Winch Shock Loading’ section in this manual for more information.

SAFE OPERATION - DRIVING SAFELY

Recovery of Another Vehicle:

- A. Release the winch drum and pull out the necessary length of cable.
- B. Attach the winch hook to the vehicle. Whenever possible, pick an anchor point on the stuck vehicle that aligns the winch cable to the winching vehicle's centerline as close as possible. This will help the spooling of the winch cable and reduce the load on the fairlead.

CAUTION: Never attach the winch hook to a suspension component, brush guard, bumper or cargo rack. Vehicle damage may result. Always attach the hook to the strongest available portion of the vehicle frame or hitch.

- C. Re-engage the winch drum.
- D. Slowly winch in any slack in the winch cable, then damper it.
- E. Shift to the lowest gear available on the stuck vehicle that will propel it in the direction of winching.
- F. Carefully apply winch power and the stuck vehicle's throttle together to free it.
- G. Stop winching as soon as the stuck vehicle is able to propel itself without the help of the winch.
- H. Detach the winch hook, then rewind the cable evenly back onto the drum following the instructions in this manual.

Winch Cable Care

Always inspect your winch cable before each use for worn or kinked winch cable. Never use a cable that is damaged. Follow these guidelines for inspection and use:

- A winch cable made of wire rope that is kinked, deformed, or bent is permanently and severely damaged. Promptly discontinue use of a winch cable in this condition.

SAFE OPERATION - DRIVING SAFELY

- A kinked winch cable made of wire rope that has been “straightened out”, even though it may look usable, has been permanently and severely damaged. It can no longer achieve its load capacity rating. Promptly discontinue use of a winch cable in this condition.
- A winch cable made of synthetic rope should be inspected for signs of fraying. Replace the cable if fraying is observed. Promptly discontinue use of a winch cable in this condition.
- Replace synthetic winch cable if fused or melted fibers are discovered. The synthetic rope will be stiff and appear smooth or glazed in the damaged section. Promptly discontinue use of a winch cable in this condition.
- Never replace a synthetic winch cable with consumer-grade polymer rope. Only use cable that is specifically designed for winch use.
- Never grease or oil a wire rope winch cable. This will cause the cable to collect debris that will shorten the life of the cable.
- Never operate the winch with a damaged hook or latch. Always replace damaged parts before using the winch.

WARNING: Replace the winch cable and components at the first sign of damage to prevent SEVERE INJURY or DEATH in the event of failure.

Winch Cable Spooling Guidelines

After winching is complete, especially if winching at an angle, it may be necessary to respool the winch cable evenly across the drum. This reduces the chances of the winch cable “wedging” itself between lower layers of cable. You will need an assistant to perform this task:

- A. Release the winch drum.

SAFE OPERATION - DRIVING SAFELY

- B. Pull out the winch cable that is wrapped unevenly onto the drum.
- C. Re-engage the winch drum.
- D. Have an assistant pull the winch cable hook strap tightly to apply about 100 lbs. (45 kg) of tension.
- E. Slowly winch the cable in while the assistant moves the end of the cable back and forth horizontally to evenly distribute it onto the drum.

Winch 'Shock Loading'

Your winch (if equipped) is designed and tested to withstand the loads produced when operated from a stationary vehicle. Always remember that the winch, cable and components are NOT designed for shock loading. Follow these guidelines:

- Never attempt to “jerk” a load with the winch. For example, never take up cable slack by moving the winching vehicle in an attempt to move an object. This is a dangerous practice that generates high loads which may exceed the strength of the components. Even a slow moving vehicle can create a large shock load which can cause damage.
- Never quickly turn the winch ON and OFF repeatedly (“jogging”). This is a form of shock loading. This puts extra load on the winch components, the cable, and generates excessive heat in the motor and relay assembly.
- Never tow a vehicle or other object with your winch. Towing with a winch produces shock loading even when towing at slow speeds. Towing from the winch also positions the towing force high on the vehicle, which can cause vehicle instability and the possibility of an accident.

SAFE OPERATION - DRIVING SAFELY

- Never use recovery straps with your winch. This is a form of shock loading. Recovery straps are designed to stretch and can store energy. Stored energy in the recovery strap is released if a failure occurs, making the event even more hazardous. Similarly, never use elastic “bungie” cords for winching.
- Never use the winch to tie down the vehicle to a trailer or other transporting unit. This is a form of shock loading that can cause damage to the winch components, the cable, or the transporting unit.

MAINTENANCE

Maintenance

Following the maintenance schedule in your owner's manual will help keep your vehicle in the safest, most reliable condition. Inspection, adjustment, and lubrication of important components are explained in the maintenance schedules

Inspect, clean, lubricate, adjust, and replace parts as necessary. When inspection reveals the need for replacement parts, always use genuine parts available from your dealer.

NOTE:

Periodic service and adjustments are critical. If you are not familiar with performing safe service and adjustment procedures, have a qualified dealer perform the required maintenance for you.

NOTE:

Pay special attention to the engine oil level during cold weather operation. A rise in engine oil level can indicate contaminants collecting in the oil sump or crankcase. Change oil immediately if the oil level begins to rise. Monitor the oil level, and if it continues to rise, discontinue use and determine the cause, or see your dealer.

WARNING

Procedures marked as '■' means If repair is required, have an authorized dealer perform repairs that involve this component or system. Improperly performing the procedure could result in component failure and lead to serious injury or death.

MAINTENANCE

Severe Use Definition

CFMOTO defines severe vehicle use as:

- Frequent immersion in mud, water or sand
- Racing or race-style high RPM use
- Prolonged low speed, heavy load operation
- Extended engine idle
- Short trip cold weather operation
- Vehicles used in commercial operations

For vehicles that are subjected to severe use, reduce all maintenance and service intervals by 50%.

MAINTENANCE

Periodic Maintenance Schedule and Icon Key

Maintenance intervals in the following schedules are based upon average riding conditions and an average operating speed of approximately 12.4 mph (20 km/h). Vehicles subjected to severe or commercial use must be inspected and serviced more frequently.

The following icon keys are used to note special circumstances:

- ▶ = Severe Use Item. Reduce interval by 50% on vehicles subjected to severe use.
- = Have an authorized dealer perform repairs that involve this component or system.
- = Emissions related components. Have an authorized dealer perform repairs that involve this component or system.

 WARNING
--

Procedures marked as '■' means if repair is required, have an authorized dealer perform repairs that involve this component or system. Improperly performing the procedure could result in component failure and lead to serious injury or death.

MAINTENANCE

General Recommended Lubrication

Check all components at the intervals outlined in the Periodic Maintenance Schedule. Items not listed in the schedule should be lubricated at the general lubrication interval.

- Change lubricants more often under severe use, such as wet or dusty conditions.
- Use All Season Grease on pivot points.
- Lubricate every 500 miles (800 km), before long periods of storage, after pressure washing, or after submerging drive system.

Item	Lubricant	Method
Engine oil	SAE 10W-40 / SAE 5W-40 / SAE 15W-40 (See page 85 for oil viscosity chart)	Screw off, clean, insert and pull out dipstick to check oil level
Transmission oil	SAE75W-90 GL-5	Screw off, clean, insert and pull out dipstick to check oil level
Brake fluid	DOT4	Keep level between upper and lower lines
Front gear case oil	SAE 80W-90 GL-5	Oil capacity: 8.5 oz. (250mL)
Rear gear case oil	SAE 80W-90 GL-5	Oil capacity: 13.5 oz. (400mL)
Suspension pivots and drive train	All Season Grease	Grease gun - Pump grease until it begins to flow from the pivot point

MAINTENANCE

Pre-Ride Maintenance Checklist

Perform these inspections before operating the vehicle:

Item		Maintenance before operation			
		Hour	Calendar	Miles (km)	Remarks
■	Steering system	-	Pre-Ride	-	Visually inspect, test, or check components. Make adjustments and/or schedule repairs when required.
■	Throttle return	-	Pre-Ride	-	
	Front suspension and axles	-	Pre-Ride	-	
	Rear suspension and axles	-	Pre-Ride	-	
	Tires	-	Pre-Ride	-	
	Brake fluid level	-	Pre-Ride	-	
	Brake lever / foot brake function	-	Pre-Ride	-	
	Brake system function	-	Pre-Ride	-	
	Wheels / fasteners	-	Pre-Ride	-	
	Engine oil level	-	Pre-Ride	-	
▶	Air filter / Air box and connections	-	Pre-Ride	-	Visually inspect. Replace filter when dirty.

▶ = Severe Use Item. Inspect frequently on vehicles subjected to severe use.

■ = Have an authorized dealer perform repairs that involve this component or system.

● = Emissions related components. Have an authorized dealer perform repairs that involve this component or system.

MAINTENANCE

Item		Maintenance before operation			
		Hour	Calendar	Miles (km)	Remarks
▶	Air box sediment tube	-	Pre-Ride	-	Inspect. If deposits are visible, clean intake tubes, air box, and replace air filter.
▶	CVT sediment tube	-	Pre-Ride	-	Inspect. If deposits are visible, drain / clean the CVT or have it serviced by a dealer.
■	Headlight aim / General lighting and turn indicators (if equipped)	-	Pre-Ride	-	Inspect. Adjust or replace lights when necessary.
▶	Radiator	-	Pre-Ride	-	Inspect for mud or debris blocking airflow. Clean surfaces when necessary.

▶ = Severe Use Item. Inspect frequently on vehicles subjected to severe use

■ = Have an authorized dealer perform repairs that involve this component or system.

● = Emissions related components. Have an authorized dealer perform repairs that involve this component or system.

MAINTENANCE

Break-In Maintenance Checklist

Perform these maintenance items when the vehicle break-in is completed:

Item		Break-in Maintenance (Perform at the interval that arrives first)			
		Hour	Calendar	Miles (km)	Remarks
	General lubrication	20	-	200 (320)	Lubricate all grease points, pivots, cables, etc.
	Engine oil / oil filter / oil strainer	20	-	200 (320)	Change oil and filter. Clean oil strainer.
▶	Engine air filter	20	-	200 (320)	Inspect; replace if dirty; do not clean
■	Engine valve clearance	20	-	200 (320)	Check and adjust as necessary.
	Front / Rear gear case oil	20	-	200 (320)	Check level. Inspect for leaks.
	Coolant	20	-	200 (320)	Check level. Inspect for leaks.
	Transmission oil	20	-	200 (320)	Inspect level.
	Engine hoses, gaskets and seals	20	-	200 (320)	Inspect for leaks.

▶ = Severe Use Item. Reduce interval by 50% on vehicles subjected to severe use.

■ = Have an authorized dealer perform repairs that involve this component or system.

● = Emissions related components. Have an authorized dealer perform repairs that involve this component or system.

MAINTENANCE

Item		Break-in Maintenance (Perform at the interval that arrives first)			
		Hour	Calendar	Miles (km)	Remarks
▶	Brake pads	20	-	200 (320)	Inspect pad thickness.
	Battery	20	-	200 (320)	Check terminals, clean, test battery condition if required.
■	Idle condition	20	-	200 (320)	Inspect for proper rpm. See dealer for service if out of spec or erratic.
■	Steering / Wheel Alignment	20	-	200 (320)	Inspect steering system. See dealer for service if wheel alignment is required.
▶	Foot brake / Hand brake	20	-	200 (320)	Inspect function. Adjust as necessary.
	Gear cases, CV shafts, Propshafts	20	-	200 (320)	Inspect for leaks.

▶ = Severe Use Item. Reduce interval by 50% on vehicles subjected to severe use.

■ = Have an authorized dealer perform repairs that involve this component or system.

● = Emissions related components. Have an authorized dealer perform repairs that involve this component or system.

MAINTENANCE

Periodic Maintenance Schedule

Perform maintenance at the interval that arrives first after the break-in period:

Item		Periodic Maintenance Intervals (Perform at the interval that arrives first)			
		Hour	Calendar	Miles (km)	Remarks
▶	Brake pads	10	Monthly	100 (160)	Inspect pad thickness.
	Battery	20	--	200 (320)	Check terminals. Clean and test battery condition as necessary.
	Engine hoses, gaskets and seals	20	--	200 (320)	Inspect for leaks.
▶	Air filter	50h	--	500 (800)	Always inspect pre-ride. Inspect frequently if subjected to severe use. Replace if dirty. Do not clean.
▶	CVT air intake filter screen / filter	50h	-	500 (800)	Clean filter screen or filter, replace with new one if necessary.
▶	General lubrication	50h	3M	500 (800)	Lubricate all fittings, pivots, cables, etc.

▶ = Severe Use Item. Reduce interval by 50% on vehicles subjected to severe use.

■ = Have an authorized dealer perform repairs that involve this component or system.

● = Emissions related components. Have an authorized dealer perform repairs that involve this component or system.

MAINTENANCE

Item		Periodic Maintenance Intervals (Perform at the interval that arrives first)			
		Hour	Calendar	Miles (km)	Remarks
▶	Front gear case oil	100h	12M	1000 (1600)	Inspect level. Change yearly if hours or distance interval is not met.
▶	Rear gear case oil	100h	12M	1000 (1600)	Inspect level. Change yearly if hours or distance interval is not met..
▶	Engine oil / oil filter / oil strainer	100h	12M	1000 (1600)	Inspect for color change. Change if dirty and clean strainer. Change yearly if hours or distance interval is not met.
	Cooling system	50h	6M	500 (800)	Test coolant strength. Pressure test system yearly.

▶ = Severe Use Item. Reduce interval by 50% on vehicles subjected to severe use.

■ = Have an authorized dealer perform repairs that involve this component or system.

● = Emissions related components. Have an authorized dealer perform repairs that involve this component or system.

MAINTENANCE

Item		Periodic Maintenance Intervals (Perform at the interval that arrives first)			
		Hour	Calendar	Miles (km)	Remarks
▶	Radiator	50h	6M	500 (800)	Inspect; clean external surfaces. Clean more frequently if subjected to severe use.
■	Steering system	50h	6M	500 (800)	Inspect. Lubricate.
▶	Front suspension	50h	6M	500 (800)	Lubricate. Check fasteners.
▶	Rear suspension	50h	6M	500 (800)	Lubricate. Check fasteners.
▶	Gear shift	50h	1M	500 (800)	Inspect, lubricate, adjust as necessary.
▶ ■	Throttle body / throttle cable	50h	6M	500 (800)	Inspect. Clean carbon deposits. Inspect cable and lubricate frequently if subjected to severe use.

▶ = Severe Use Item. Reduce interval by 50% on vehicles subjected to severe use.

■ = Have an authorized dealer perform repairs that involve this component or system.

● = Emissions related components. Have an authorized dealer perform repairs that involve this component or system.

MAINTENANCE

Item		Periodic Maintenance Intervals (Perform at the interval that arrives first)			
		Hour	Calendar	Miles (km)	Remarks
▶ ■	CVT drive belt	100h	12M	1000 (1600)	Inspect. Replace as necessary. See dealer for service.
■	CVT drive and driven pulleys	100h	12M	1000 (1600)	Clean and Inspect pulleys. Replace worn parts. See dealer for service.
	Fuel filter and hoses	100h	24M	2000 (3200)	Inspect routing and condition. Replace filter and high-pressure hoses every 4 years.
	Cooling hoses	100h	--	1000 (1600)	Inspect routing and condition.
▶	Valve clearance	100h	--	2000 (3200)	Inspect and adjust as necessary. See dealer for service.

▶ = Severe Use Item. Reduce interval by 50% on vehicles subjected to severe use.

■ = Have an authorized dealer perform repairs that involve this component or system.

● = Emissions related components. Have an authorized dealer perform repairs that involve this component or system.

MAINTENANCE

Item		Periodic Maintenance Intervals (Perform at the interval that arrives first)			
		Hour	Calendar	Miles (km)	Remarks
●	Fuel system	100h	12M	500 (800)	Inspect fuel tank, cap, fuel pump and fuel pump relay.
	Spark plug	100h	24M	2000 (3200)	Inspect; Replace if worn or fouled.
■	Engine mounts	100h	12M	1500 (2400)	Inspect condition.
	Exhaust pipe and spark arrestor	100h	12M	500 (800)	Inspect. Clean spark arrestor.
▶	Wiring, fuses, connectors, relays, and cables	100h	12M	1000 (1600)	Inspect wire routing for wear, security. Apply dielectric grease as necessary to connectors subjected to water, mud, etc.

▶ = Severe Use Item. Reduce interval by 50% on vehicles subjected to severe use.

■ = Have an authorized dealer perform repairs that involve this component or system.

● = Emissions related components. Have an authorized dealer perform repairs that involve this component or system.

MAINTENANCE

Item		Periodic Maintenance Intervals (Perform at the interval that arrives first)			
		Hour	Calendar	Miles (km)	Remarks
▶ ■	Wheel bearings	100h	12M	1500 (2400)	Inspect for noise or looseness. Replace as necessary.
▶	Safety Belts	100h	12M	2000 (3200)	Visually inspect belts and test latches. Clean latch mechanism more often if used in severe conditions. Replace as necessary.
▶	Transmission oil (1000 Engine)	200h	12M	2000 (3200)	Inspect level. Change yearly if hours or distance interval is not met.
	Coolant	200h	24M	4000 (6400)	Change coolant every 2 years if hours or distance interval is not met.

▶ = Severe Use Item. Reduce interval by 50% on vehicles subjected to severe use.

■ = Have an authorized dealer perform repairs that involve this component or system.

● = Emissions related components. Have an authorized dealer perform repairs that involve this component or system.

MAINTENANCE

Item		Periodic Maintenance Intervals (Perform at the interval that arrives first)			
		Hour	Calendar	Miles (km)	Remarks
▶	Brake fluid	200h	24M	1000 (1600)	Inspect fluid for color change. Change fluid every two years.
	Idle condition	--	12M	--	Inspect for proper rpm. See dealer for service if out of spec or erratic.
■	Steering / Wheel Alignment	--	12M	--	Inspect steering system. See dealer for service whenever steering parts or wheel alignment are required.
▶	Foot brake height	--	12M	--	Inspect. Replace brake pads or adjust height as required.

▶ = Severe Use Item. Reduce interval by 50% on vehicles subjected to severe use.

■ = Have an authorized dealer perform repairs that involve this component or system.

● = Emissions related components. Have an authorized dealer perform repairs that involve this component or system.

MAINTENANCE

Maintenance Procedures

Air Filter

Check and change the air filter at the intervals outlined in the Maintenance Schedule. The air filter element should be cleaned or replaced more often if the vehicle is used in extremely dusty or wet areas. Each time air filter maintenance is performed, check the air inlet of the air filter box for obstructions and debris. Check the air filter housing rubber joint to the throttle body and manifold fittings for an airtight seal. Check that all fittings are secure to avoid the possibility of unfiltered air entering the engine.

Air Filter Housing Inspection

There is a check hose at the bottom of the air filter housing. If dust or water can be viewed in this hose, empty the hose and clean the air filter housing thoroughly. If the vehicle was submerged, please contact your local dealer to check for water inside the engine crankcase.

NOTE:

If a large amount of water is present in the air filter, have your dealer check for water entering the engine crankcase.

MAINTENANCE

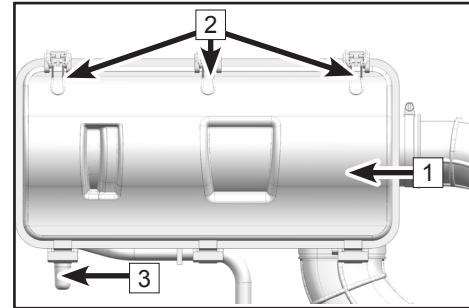
Air Filter Maintenance

1. Lift up the rear cargo box
2. Loosen the clasp and remove the air filter cover.
3. Remove paper filter element.
4. Inspect the paper air filter and verify it is okay to reinstall. Softly brush off accumulated dust if necessary. Install a new filter as necessary.

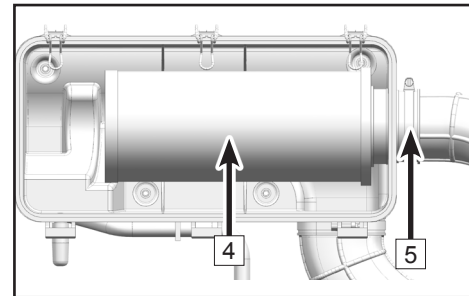
NOTE:

Do not wash paper air filters, or use compressed air to clean the paper filter media.

5. Apply a thin film of lubricant on the inside diameter of the air filter rubber seal.
6. Reinstall the air filter housing cover. Verify the cover is installed correctly and is sealing properly.



1	Filter Housing Cover		
2	Clasp	3	Check Hose



4	Paper Air Filter	5	Cover, Spring Clips
---	------------------	---	---------------------

MAINTENANCE

Drying the Air Filter Housing after Submersion

If water has been ingested into the air filter housing, Drain the air filter housing, remove the air filter, and thoroughly dry the components. Do not use compressed air on the paper air filter. Contact your dealer if vehicle performance issues exist.

CAUTION

Do not operate the engine without an air filter element. Unfiltered air entering into the engine can cause engine wear and damage. Driving without an air filter will also decrease performance and can lead to engine overheating.
--

CAUTION

Major engine damage can result in the vehicle if water has been ingested into the air filter housing, and engine. Have the vehicle serviced by your dealer promptly if your vehicle becomes immersed or stalls in water that exceeds the footrest level. It is important to contact your dealer for service before starting the engine, as water may have been ingested in the air box and engine.

MAINTENANCE

Engine Oil

Always check and change the engine oil at the intervals outlined in the Maintenance Schedule. Change oil more frequently under severe use conditions.

To Check the Engine Oil Level

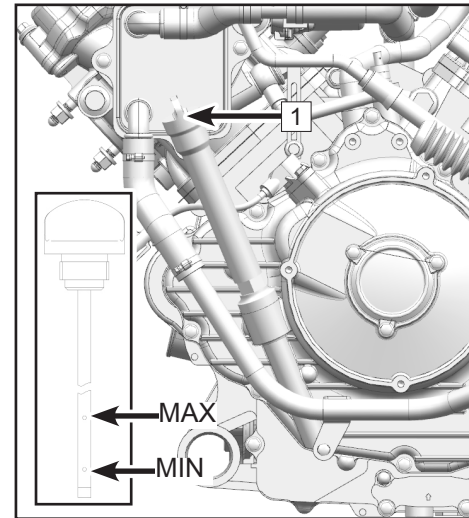
With vehicle on a level surface, check the oil level as follows:

1. Place the vehicle on the plain ground.
2. Start the engine and allow it to idle for (20~30) seconds. Stop the engine.
3. Wait for a few minutes to allow the engine oil to settle down in crankcase.
4. Lift the rear cargo box to access the engine oil dipstick position.
5. Unscrew the oil dipstick and then wipe it off with a clean rag.
6. Insert the dipstick completely into the oil filler hole, and then remove it again to check the oil level.

NOTE

Engine oil level should be between the upper and lower marks.

7. If the engine level is below the lower mark, add oil to proper level.
8. Insert the oil dipstick and fully tighten it.
9. Install the service hole plate behind the passenger seat.

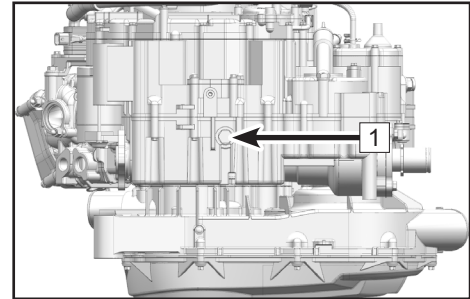


1 Oil dipstick, Engine

MAINTENANCE

To Change the Engine Oil

1. Start the engine and allow it to warm up for (2~3) minutes, then stop the engine.
2. Place an oil pan under the engine to collect the used oil, and then remove the dipstick.
3. Remove the engine oil drain bolt (1) to drain the oil from the crankcase.



1	Drain bolt, Engine oil
---	------------------------

To Change the Oil Filter

1. Remove 3 engine oil bolts (1), open the filter cover (2) to take out the filter.
2. Replace with the new oil filter(3).

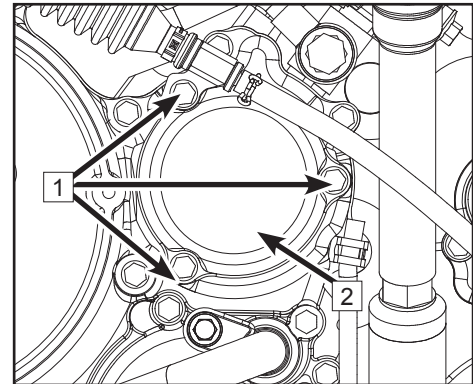
NOTE

Make sure the O-ring (4) is well and installed in the box.

3. Install the new oil filter (3) and fix the 3 bolts (1) in the oil filter cover (2). Tighten it to specified torque.

NOTE

Engine oil bolt (1) tightening torque: **7.3 ft-lb. (10 N·m)**



1	Engine oil bolt	2	Filter cover
---	-----------------	---	--------------

MAINTENANCE

1. Use a new drain bolt washer and tighten it to specified torque.

NOTE

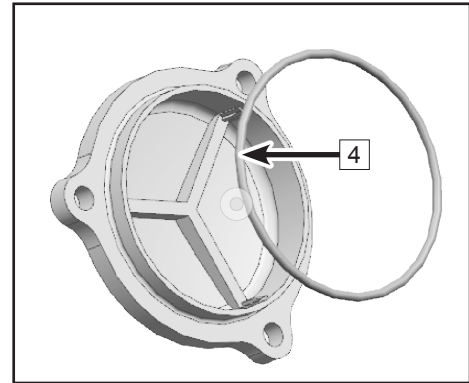
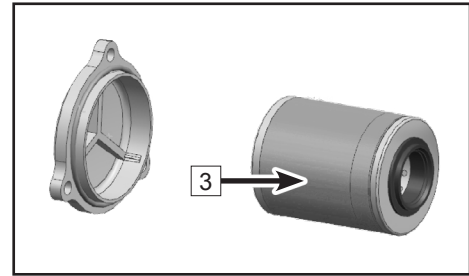
Drain bolt tightening torque: 22 ft-lb. (30 N·m)
--

2. Add recommended oil to specified level and then screw in the oil dipstick.

NOTE

Oil capacity with oil filter replacement: 84.5 oz. (2.5 L)
--

3. Start the engine and allow it to warm up for a few minutes. Check for oil leakage when the engine is warm. Stop the engine immediately if oil leaks are present.
4. Stop the engine and check the engine level. Revise if necessary.



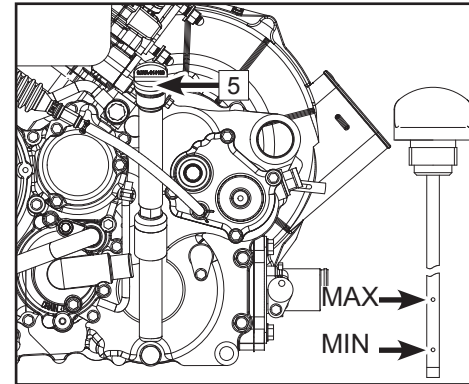
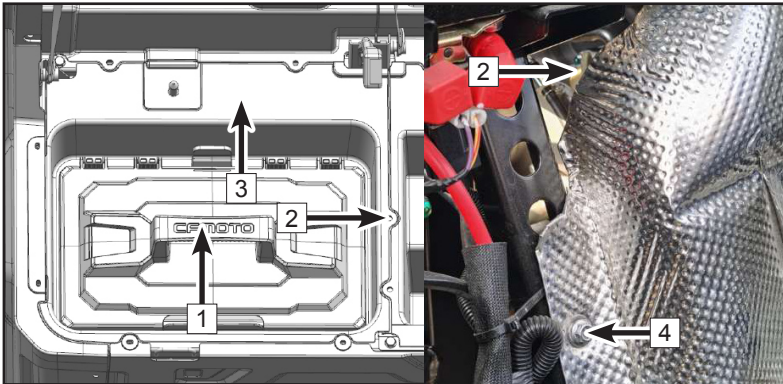
3	Oil filter	4	O-ring
---	------------	---	--------

MAINTENANCE

Transmission Oil

Oil Level Check

1. Place the vehicle on a level surface.
2. If the engine was running, wait a sufficient amount of time for the oil to settle and cool.
3. Remove the passenger seat and storage box (1), remove the plastic grommet pin (2), then remove the access panel (3) towards the driver direction.
4. Remove the bolt and washer (4), move heat insulation plate to find the transmission oil dipstick (5).
5. Unscrew the transmission oil dipstick (5), remove it, and wipe off with a clean cloth.
6. Insert the dipstick into the oil filler hole. Do not fully reinstall it.
7. Remove the dipstick and check the oil level indication. Maintain the oil level between the upper and lower indicators.
8. Reinstall the dipstick into the oil filler hole, and hand-tighten it.
9. Reinstall the access panel and return the passenger seat to its original locked position.

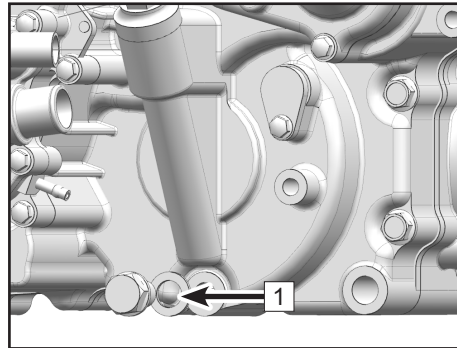


MAINTENANCE

Oil Change

1. Place the vehicle on a level surface.
2. If the engine was running, wait a sufficient amount of time for the oil to settle and cool.
3. Place an oil pan under the engine to collect the used oil.
4. Remove oil dipstick.
5. Remove the transmission oil drain bolt at the bottom of the oil fill location and drain the oil.
6. Place a new sealing washer on the drain bolt, then assemble and tighten the drain bolt to **22 ft-lb. (30 N•m)**.
7. Add the specified amount of recommended transmission oil at the transmission oil dipstick location, and then reinstall the transmission oil dipstick and hand-tighten it.

NOTE: Transmission oil type – SAE75W/90GL-5 Capacity - 20 oz. (0.6L)



1 | Drain bolt, Transmission

MAINTENANCE

Engine Valve Clearance Adjustment

The intake and exhaust valve clearances change with use of the vehicle, which can result in improper fuel/air supply or engine noise. To prevent this, the valve clearances must be adjusted according to the maintenance schedule. This adjustment should be performed by a professional service technician. Contact your dealer for service.

NOTE:

Intake valve clearance (cold engine): **.00024 in. ~ 0.0055 in. (0.06mm ~ 0.14mm)**

Exhaust valve clearance (cold engine): **.00043 in. ~ 0.0075 in. (0.11mm ~0.19mm)**

Engine Idle Speed

This vehicle is equipped with an electronic fuel injection system. The throttle body is a vital part of the fuel system which requires very sophisticated adjustment, and was set at the factory. There are no consumer provisions to adjust engine idle speed. If the settings are disturbed, poor engine performance and damage may result. Check the engine idle speed for stability or an abnormal engine idle condition and contact your dealer for service if necessary.

MAINTENANCE

Front and Rear Gear Case

The front and rear gear case must be checked for oil leaks before operating. If any leaks are found, have your dealer check and repair the vehicle.

Front Gear Case Oil Check

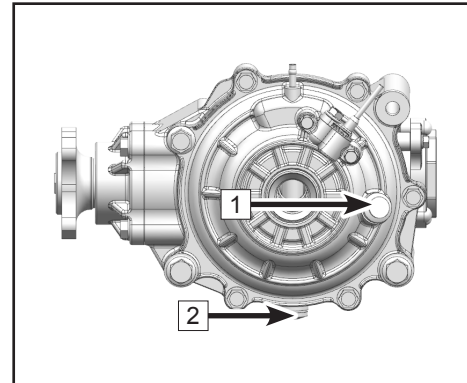
1. Place the vehicle on a level surface.
2. Remove the oil filler bolt (1) and check the oil level. The level should be up to the brim of the hole. If the level is low, add sufficient oil to raise it to the specified level.
3. Install the oil filler bolt and tighten it to 18.4 ft-lb. (25 Nm).

Front Gear Case Oil Change

1. Place the vehicle on a level surface.
2. Place an oil pan under the gear case to collect the used oil.
3. Remove the oil drain bolt (2) at the bottom of the gear case and drain the oil.
4. Install the oil drain bolt and tighten it to 18.4 ft-lb. (25 Nm).
5. Remove the oil filler bolt. Add sufficient oil to raise the level up to the brim of the fill hole (1).
6. Install the oil filler bolt and tighten it to 18.4 ft-lb. (25 Nm).

NOTE:

Approximate front gear case oil capacity: **8.5 oz. (250 mL)**



1	Fill bolt	2	Drain plug
---	-----------	---	------------

MAINTENANCE

Rear Gear Case Oil Check

1. Place the vehicle on a level surface.
2. Remove the oil filler bolt (1) and check the oil level. The level should be up to the brim of the hole. If the level is low, add sufficient oil to raise it to the specified level.
3. Install the oil filler bolt and tighten it to 18.4 ft-lb. (25 Nm).

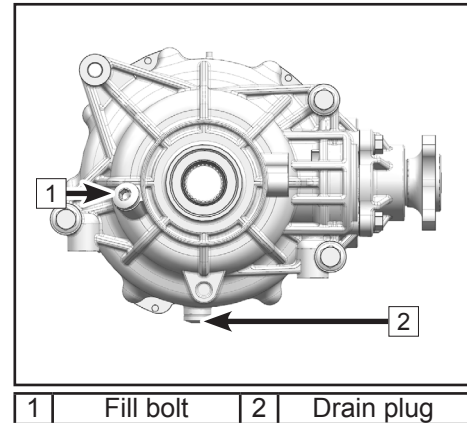
Rear Gear Case Oil Change

1. Place vehicle on a level surface.
2. Place an oil pan under the gear case to collect the used oil.
3. Remove the oil drain bolt (2) at the bottom of the gear case and drain the oil.
4. Install the oil drain bolt and tighten it to 18.4 ft-lb. (25 Nm).
5. Fill with gear case oil by 13.5oz (400ml) into the filler hole (1).
6. Install the oil filler bolt and tighten it to 18.4 ft-lb. (25 Nm).

NOTE:

Rear gear case oil capacity: **13.5 oz. (400mL)**

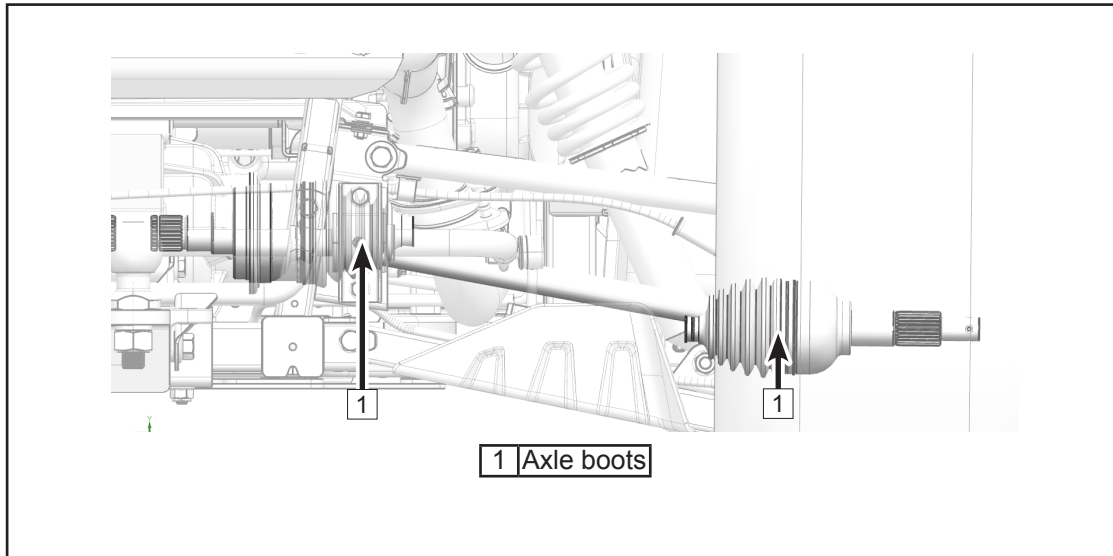
Do not add more than the recommended amount.



MAINTENANCE

Front and Rear Axle Boots

The front and rear axle boots (1) must be checked for holes or wear before operating. If any damage is found, have your dealer repair the vehicle.



MAINTENANCE

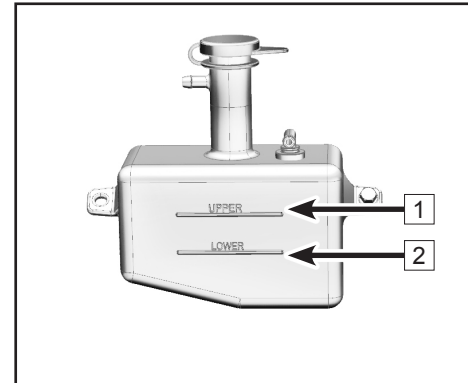
Cooling System

Coolant Level Inspection

1. Place the vehicle on a level surface.
2. Inspect the coolant level in the reservoir.
3. If the coolant is at or below the lower limit mark; remove the access cover and the reservoir cap . Add coolant to the upper limit mark, install the reservoir cap, and then reinstall the access cover.

NOTE:

Check the coolant level in the coolant reservoir when the engine is cold, as the coolant level will vary with engine temperature.



1	UPPER	2	LOWER
---	-------	---	-------

CAUTION

If water is added, have your dealer check the antifreeze content of the coolant as soon as possible. Never add hard water or salt water, as it is harmful to the engine. Softened tap water may be used if distilled water is not available. The radiator fan operation is automatically switched on or off according to the coolant temperature in the radiator during operation.

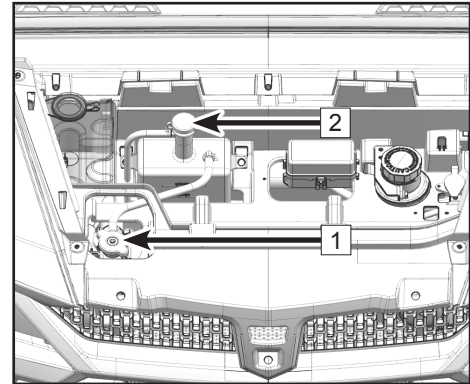
MAINTENANCE

Change the Coolant

CAUTION

After running the engine, never remove the radiator cap immediately. Wait for the engine to cool down before removing the radiator cap. Hot coolant can cause serious burns.

1. Place the vehicle on a level surface.
2. Remove the front access cover.
3. Remove the radiator cap (1) .
4. Remove the coolant reservoir cap (2).
5. Place a container under the engine, and then remove the coolant drain bolt (3).
6. Disconnect the hose from the coolant reservoir, and drain the coolant into a container.
7. After draining the system, thoroughly flush the system with clean tap water. Allow the water to drain completely.
8. Replace the coolant drain bolt washer if it is damaged, then install and tighten the coolant drain bolt, but do not torque to specification.
9. Reinstall the coolant reservoir hose.
10. Fill the recommended coolant into the radiator until it is full.



1 | Radiator cap | 2 | Reservoir cap

NOTE:

When filling coolant, at the same time loosen the coolant drain bolt to draw out potential air bubbles inside the coolant hose until coolant flows out, then tighten the drain bolt to 7.3 ft-lb. (10 N•m).

11. Install the radiator cap.

MAINTENANCE

12. Start the engine and let it idle for several minutes. Stop the engine and allow it to cool. Check the coolant level in the radiator. If it is low, add more coolant until it reaches the top of the radiator. Repeat as necessary.
13. Fill the coolant reservoir with coolant up to the upper limit.
14. Install the coolant reservoir cap and check for coolant leaks. If any leaks are found, have your dealer check the cooling system.
15. Reinstall the front access cover.

NOTE:

Recommended antifreeze:

Any high quality ethylene glycol antifreeze containing corrosion inhibitors for aluminum engines.

Antifreeze and water mixing ratio: **1:1**

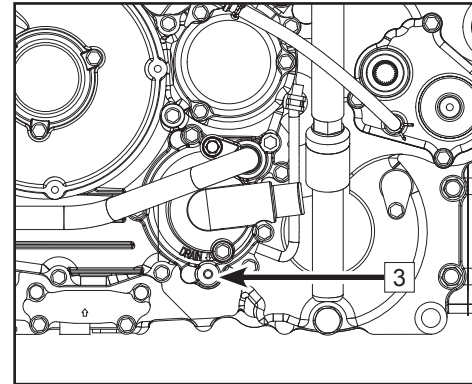
Coolant capacity: **UFORCE 1000 : 4.44 qt. (4.2 L). UFORCE 1000 XL : 5.07 qt. (4.8 L)**

Coolant change: **UFORCE 1000 : 4.33 qt. (4.1 L). UFORCE 1000 XL : 4.97 qt. (4.7 L)**

Coolant reservoir capacity: **0.32 qt ~ 0.62 qt. (300 mL ~ 590 mL)**

Cleaning the Radiator

Cleaning the external surfaces of the radiator if it is covered with mud or debris will ensure it continues to efficiently cool the engine. Use only low pressure water to clean the radiator. High pressure washers can damage components. Ensure that water can flow freely through the radiator fins. This is a sign that cooling air will be allowed to pass through.



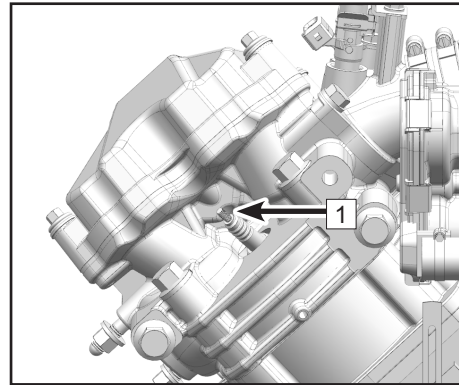
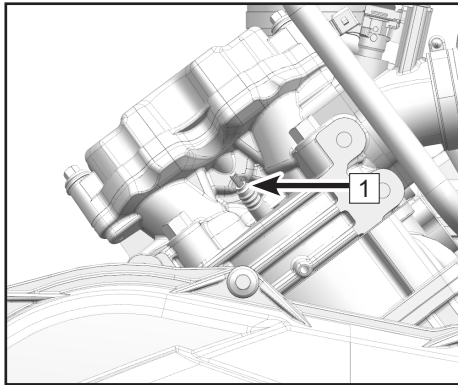
3 Drain Bolt

MAINTENANCE

Spark plug(s)

The spark plug (1) is an important engine component that is easy to inspect. The color and condition of the spark plug can indicate the condition of the engine. The ideal color on the insulator around the center electrode is a medium-to-light tan color for an engine that is being operated normally. If electrode erosion becomes excessive, or if carbon and other deposits are excessive, you should replace the spark plug with the specified plug.

Periodically remove and inspect the spark plug(s) for heat damage and deposits that will cause them to break down and erode. Do not attempt to diagnose spark plug color or engine problems yourself. Instead, take the vehicle to your dealer for service.



MAINTENANCE

Spark Plug Removal and Inspection

1. Tilt the cargo box.
2. Clean any dirt or debris from the spark plug and cylinder area.
3. Remove the spark plug cap.
4. Use the spark plug socket and wrench from the tool kit to remove the spark plug.
5. Check the spark plug gap (A) using a thickness gauge. Adjust the gap if necessary.

NOTE:

Specified spark plug: **DCPR8E (NGK)**

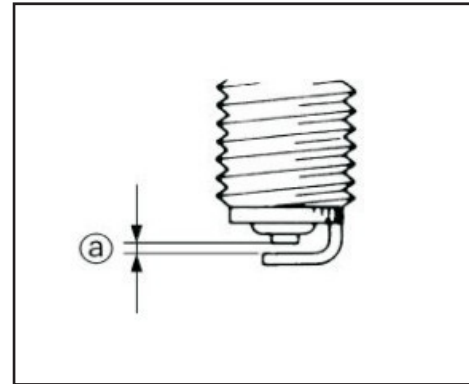
Spark plug gap: **.031 in ~ .035 in (0.8 mm~0.9 mm)**

6. Clean the gasket surface. Wipe off any grime from the threads.
7. Install spark plug and tighten to specified torque.

NOTE:

Spark plug torque: **14.8 ft-lb. (20 N•m)**. If a torque wrench is not available when you are installing a spark plug, a good estimation of the correct torque is that, tight the spark plug by finger first, then use tool to tight from 1/4 to 1/2 position.

8. Install the spark plug cap.
9. Install the cargo box access panel. Torque the fasteners to **7.3 ft-lb. (10 N•m)**.



MAINTENANCE

Spark plug removal to expel water from the engine

If water has been ingested into the engine, it is important to remove the water as soon as possible by removing the spark plug(s) and using the starter system to rotate the engine for a short period to expel water out of the cylinder(s). Verify that the air box has been drained of water before attempting to expel water. Have a dealer service the engine immediately.

CAUTION

Major engine damage can result in the vehicle if water is ingested into the engine. Have the vehicle serviced by your dealer promptly if your vehicle becomes immersed or stalls in water that exceeds the footrest level. It is important to contact your dealer for service before starting the engine if water has been ingested. Water inside the engine can cause a 'hydraulic lock' effect that can damage the starter and engine components. The engine oil should be checked for water contamination. Drain and refill with new engine oil if water is found in the crankcase.

MAINTENANCE

Exhaust Spark Arrestor

Clean carbon deposits from the spark arrester periodically while the muffler and exhaust are at normal air temperature.

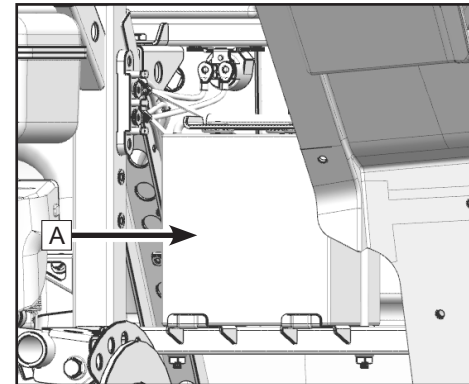
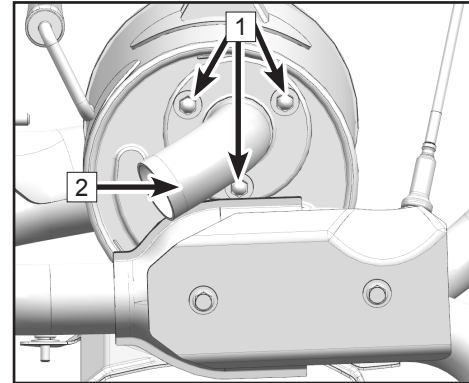
⚠ CAUTION

Ensure that the exhaust pipe and muffler are fully cooled down before servicing the spark arrester.

1. Remove the fasteners (1).
2. Tap the tailpipe lightly to loosen it and remove the spark arrester from the muffler.
3. Use a wire brush to remove any carbon deposits from the spark arrester portion of the tailpipe (2).
4. Insert the tailpipe into the muffler and align the bolt holes.
5. Install and torque the fasteners to **7.3 ft-lb. (10 N•m)**.

Battery

This vehicle is equipped with a 12 volt/30 Amp-hour, sealed low-maintenance battery (A), which is located at the inner side of the rear right fender. Therefore, it is not necessary to check the electrolyte or add distilled water to the battery. If the battery seems to have discharged, consult your dealer. Verify that the battery connections are clean and secured during routine maintenance.



MAINTENANCE

Battery Maintenance Guidelines:

- A special battery charger (constant low voltage/ampere) is required for recharging low-maintenance batteries. Using a conventional battery charger may shorten the battery life.
- If the vehicle will not be used for a month or longer, remove the battery and store it in a cool, dry place. Completely recharge the battery before re-installation.
- Always make sure the cable connections are the correct polarity when reinstalling the battery. RED ('+' positive) / Black ('-' negative). Always disconnect the RED ('+' positive) cable last during removal, and reconnect it first during installation.
- Corroded battery connections can be cleaned with a mixture of baking soda and water.

WARNING

Avoid contact with skin, eyes or clothing, and always shield eyes when working near batteries. Keep out of reach of children. Keep batteries away from sparks, flames, cigarettes or other sources of ignition. Ventilate the area when charging or using in a closed space.

Battery acid antidote:

EXTERNAL: Flush with water.

INTERNAL: Get prompt medical attention.

EYES: Flush with water for 15 minutes and get prompt medical attention.

MAINTENANCE

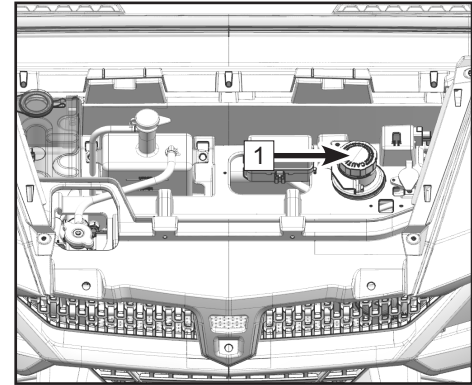
Brakes

Brake Fluid Level Inspection

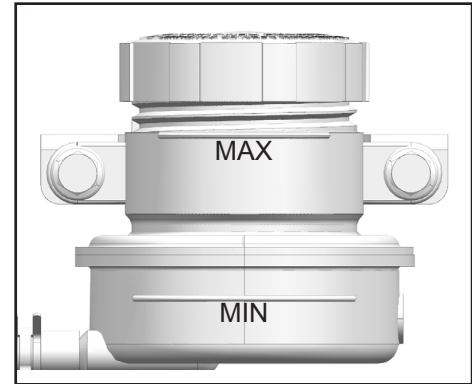
Before riding, check that the brake fluid level is above the low mark and replenish whenever necessary. Brake fluid reservoir is located under the hood. Insufficient brake fluid may let air enter the brake system, possibly causing the brakes to become ineffective.

Observe These Precautions:

- When checking the fluid level, make sure the vehicle is on a level surface.
- Use only the designated quality brake fluid. Otherwise, the rubber seals may deteriorate, causing leaks and poor brake performance.
- Recommended brake fluid: DOT 4.
- Refill with the same type of brake fluid. Mixing fluids may result in a harmful chemical reaction and may lead to poor brake performance.
- Be careful that water does not enter the master cylinder reservoir. Water will significantly lower the boiling point of the fluid and lead to poor brake performance.
- Brake fluid may deteriorate painted surfaces or plastic parts. Always clean up spilled fluid immediately.
- As the brake pads wear, it is normal for the brake fluid level to gradually go down. A low brake fluid level may indicate worn



1 Brake fluid reservoir



MAINTENANCE

brake pads or brake system leakage. Therefore, be sure to check the brake pads for wear before checking the brake system for leakage.

- Have your dealer check the cause if the brake fluid level goes down unexpectedly.

Brake Pad Inspection

Inspect the front and rear brake pads and discs for damage and wear. If the pad thickness (A) is less than .059 in. (1.5mm) or the disc thickness (B) is less than .118 in. (3.0mm), have your dealer replace them. Replacement of brake components requires professional knowledge. These procedures should be performed by your dealer.

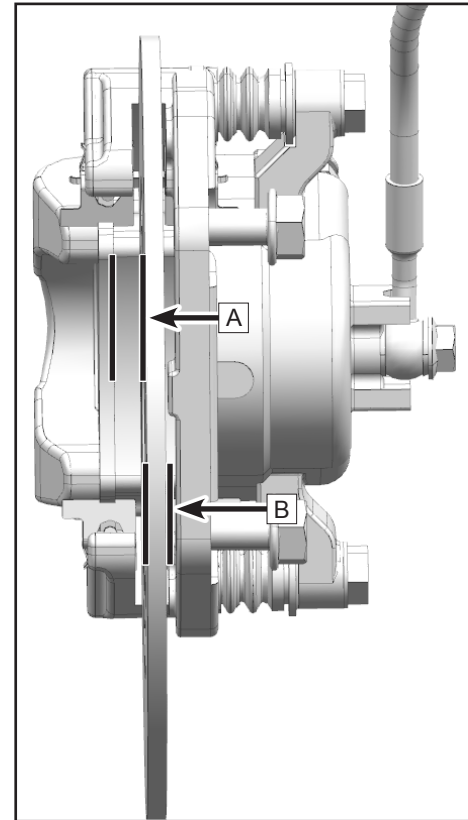
NOTE:

Wheels must be removed to check brake pads.

CAUTION

After servicing:

- Make sure the brakes operate smoothly and that the lever free play is correct.
- Make sure the brakes do not drag and the brake operation is not spongy.
- All air is bled from the brake system.



MAINTENANCE

Brake Fluid Change

Complete brake system fluid replacement should be performed only by trained service personnel. Have your dealer replace the following components during periodic maintenance, or when they are damaged or leaking:

- Replace the brake hoses every four (4) years.

Brake Light Switch Operation

The brake light switch is activated by foot brake pedal pressure, and is properly working when the brake light comes on just as braking takes effect. Check that the switch assembly or the electrical circuit is working properly in case of brake light failure.

Suspension

Some front suspension components of the vehicle do not require maintenance or lubrication. Ensure these components are cleaned regularly, and are not loose or damaged before operating the vehicle.

Pivot Lubrication

Lubricate the upper and lower pivots of the front and rear suspension:

- Add grease into the upper and lower pivot grease nipples (1) located at the frame with a grease gun until grease lightly flows from the bushing.

MAINTENANCE

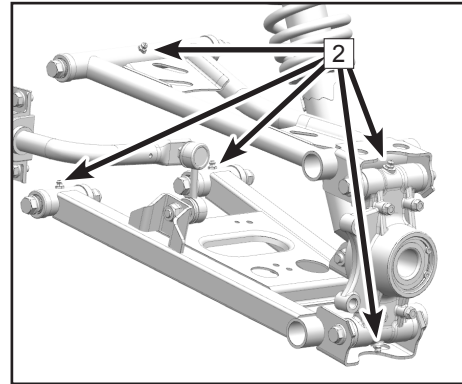
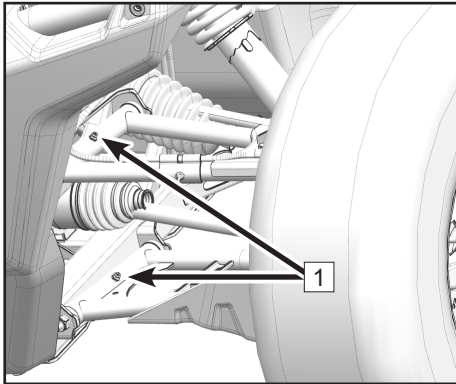
Rear Hub Carrier Lubrication

Lubricate the upper and lower pivots of the rear hub carrier:

- Remove the rear wheels.
- Add grease into the hub carrier upper and lower pivot grease nipples (2) with a grease gun until grease lightly flows from the bushing.
- Reinstall the rear wheels. Torque the fasteners to specification.

NOTE:

Recommended lubricant: All Season Grease



MAINTENANCE

Shock Preload Adjustment

The front and rear shock spring preload and damping can be adjusted to for rider weight, cargo, and riding conditions. Always adjust the shock absorbers on the left and right side to the same setting, and reset them to the initial setting after carrying loads.

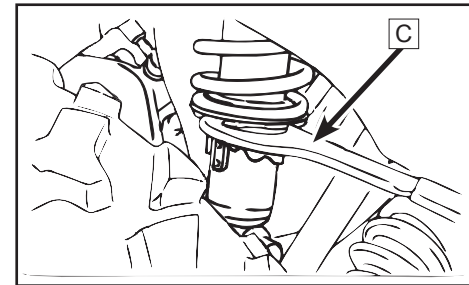
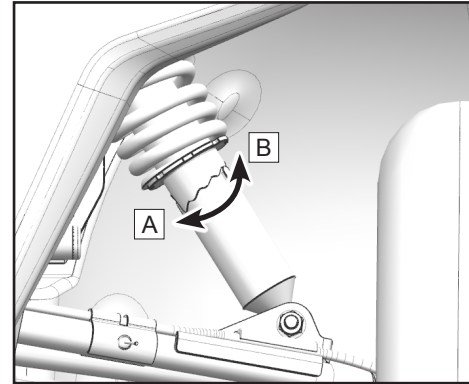
Adjust the spring preload:

A = Soft ~ B = Hard

- To increase the spring preload, loosen the lock nut and turn the adjusting ring in direction 'B'.
- To decrease the spring preload, loosen the lock nut and turn the adjusting ring in direction 'A'.

NOTE:

A special collar wrench 'C' is included in the tool kit to make spring preload adjustments.



MAINTENANCE

Wheels

Tire Pressure

Inspect the tire pressure before operation:

UFORCE 1000:

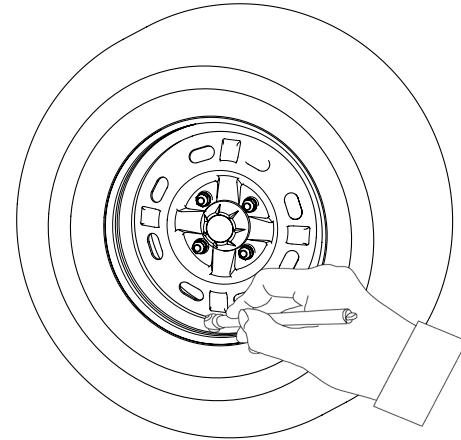
Front: **10 PSI (70 kPa)**

Rear: **14 PSI (100 kPa)**

UFORCE 1000 XL:

Front: **14 PSI (100 kPa)**

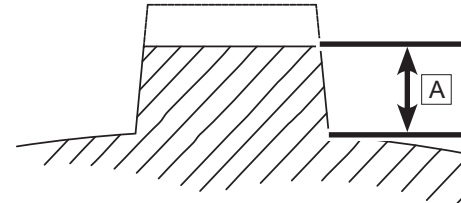
Rear: **17 PSI (120 kPa)**



Tread Depth

Inspect the tread depth regularly and replace the tires if the minimum tread depth is less than:

Minimum tread depth: **3/32 in. (3.0mm)**



Wheel Bearings

- Lift the vehicle and support it securely under the frame with the tires off the ground.
- Push and pull the wheels at the outer edges to feel for side play or looseness. See your dealer if there is any side play or looseness.

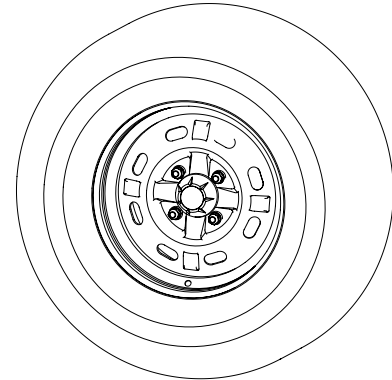
MAINTENANCE

Wheel Removal

- Ensure vehicle is in park.
- Loosen the wheel fasteners.
- Elevate the vehicle and place a suitable support stand under the frame.
- Remove the fasteners from the wheel.
- Remove the wheel.

Wheel Installation

- Ensure vehicle is in park.
- Install the wheel.
- Install the wheel fasteners hand tight.
- Elevate the vehicle, remove the support stand under the frame, and lower the vehicle to the ground.
- Torque the wheel fasteners to specification:
 - Aluminum or Steel wheels - **81 ft-lb~88 ft-lb. (110 N•m~120 N•m)**



NOTE:

If aluminum wheels are used with tapered fasteners, install the fastener with the tapered side facing the wheel.

MAINTENANCE

Electrical

Fuses

The fuse box is located under the front access cover. If a fuse is blown, turn off the main switch and install a new fuse of the specified amperage. Turn on the main switch. If the fuse immediately blows again, contact your dealer.



To prevent an accidental short-circuit, turn off the main switch before checking or replacing fuses. Always use a fuse with the correct specified rating. Never use conductive material in place of the proper fuse. Using an improper fuse can cause damage to the electrical system and may lead to a fire.

UFORCE 1000

MAIN RELAY	AUXILIARY START RELAY	LOW BEAM RELAY	HIGH BEAM RELAY	FAN RELAY	FUEL PUMP RELAY	2-4 RELAY
5A	10A	10A	15A	15A		4-4 RELAY
FUEL PUMP 10A	SIGNAL CONTROL 15A	BACKUP 15A			REVERSE RELAY	
HEADLIGHT 15A	BCU 5A	FAN 15A	MAIN RELAY 10A			

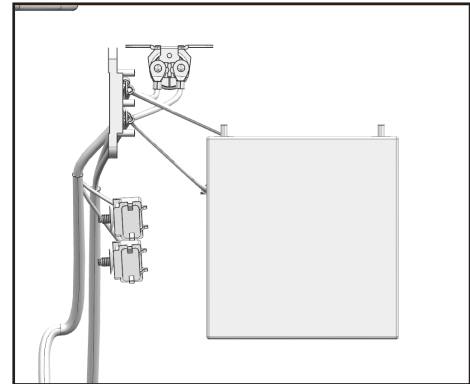
UFORCE 1000 XL

MAIN RELAY	AUXILIARY START RELAY	LOW BEAM RELAY	HIGH BEAM RELAY	FAN RELAY	FUEL PUMP RELAY	2-4 RELAY
5A	10A	10A	15A	15A		4-4 RELAY
FUEL PUMP 10A	SIGNAL CONTROL 15A	BACKUP 15A	DAYTIME RUNNING LIGHT 10A	FRONT GLASS LIFTING 25A	REVERSE RELAY	
HEADLIGHT 15A	BCU 5A	FAN 15A	MAIN RELAY 10A	BACK GLASS LIFTING 25A		

MAINTENANCE

Main Fuse and EPS Fuse

A 40 Amp main fuse and a 40 Amp EPS fuse are located to the left of the battery. If the fuse is blown, turn off the main switch and install a new fuse of the specified amperage. Turn on the main switch. If the fuse immediately blows again, contact your dealer.



MAINTENANCE

Head Light Adjustment

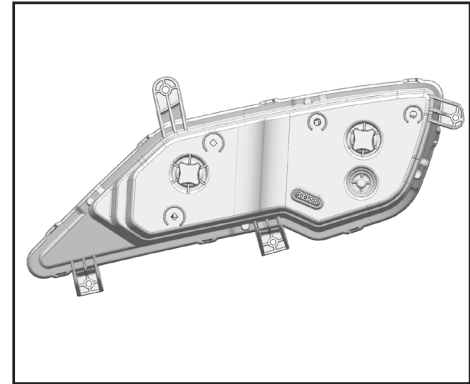
To adjust the head lights:

- Turn screws to adjust the high beam direction beam vertically and horizontally.
- Turn screw to adjust the low beam vertically.

⚠ WARNING

It is advisable to have your dealer perform headlight adjustments. Improper adjustment could lead to an accident resulting in serious injury or death.

NOTE: The headlight and taillight assemblies are an LED structure which cannot be repaired if damaged or failed. Have your dealer replace the entire assembly if an LED is damaged or has failed.



MAINTENANCE

Tail/Brake, Position, and Turn Signal Lamp Replacement

Brake/tail lights, front position lights, and turn signals (if equipped) are LED type. Have your dealer replace the entire assembly if an LED is damaged or has failed.

Fuel Evaporation System (EVAP)

Your vehicle contains a fuel evaporation system (EVAP) that prevents fuel vapors from entering the atmosphere from the fuel tank and fuel system. Never modify any part of this system, which will violate fuel evaporation emission regulations.

During routine maintenance, visually inspect all connections for leaks and blockage, and inspect the hoses for kinks or damage.

No other maintenance is necessary. Contact your dealer if repair is required.

NOTE: Information applies only to vehicles equipped with a fuel evaporation system.

CLEANING AND STORAGE

Cleaning and Storage

Washing the Vehicle

Keeping your vehicle clean will not only improve its appearance, but it can also extend the life of various components. With a few precautions, your vehicle can be cleaned much like an automobile:

- The best and safest way to clean your vehicle is with a garden hose and a pail of mild soap and water. Harsh detergents may deteriorate rubber components.
- Use a professional type washing mitt, cleaning the upper body first and the lower parts last.
- Pay special attention that the cooling system radiator and axle boots are thoroughly cleaned of all dirt and debris.
- Rinse with water frequently and dry the vehicle with a chamois to prevent water spots.
- Lubricate all pivot points immediately after washing.
- Allow the engine to run for a while to evaporate any water that may have entered the engine air intake or exhaust system.

CFMOTO does not recommend the use of a high pressure type car wash system for washing your vehicle, as water can be forced past seals and damage decals. If a high pressure system is used, exercise extreme care to avoid water damage to the decals, wheel bearings, transmission seals, body panels, brakes, warning labels, air filter intake system and electrical system. Ensure water is not allowed to enter into the air filter or CVT housing. If warning and safety labels are damaged, contact your dealer for a replacement.

Waxing the Vehicle

Your vehicle can be waxed with any non-abrasive automotive paste wax. Avoid the use of harsh cleaners since they can scratch the body finish.

CLEANING AND STORAGE

CAUTION

Certain products, including insect repellants and other chemicals, will damage plastic surfaces. Use caution when using these products near plastic surfaces.

Perform Repairs

Make necessary repairs to your vehicle before storing to prevent further damage the next time you operate it.

Check the Tires

Inspect the tire treads and overall condition. Set the tires to the specified air pressure.

Oil and Filter

Warm the engine, then stop the engine and change the oil and filter.

Air filter/ Air box

Inspect and clean or replace air filter. Clean the air box and the sediment tube.

Check Fluid Levels

Inspect the following fluid levels and change if necessary:

- Front gear case
- Rear gear case
- Brake fluid (change every two years or as required if fluid looks dark or contaminated)
- Coolant (change every two years or as required if coolant looks contaminated)
- Fuel Level (add fuel stabilizer according to the product label directions)

CLEANING AND STORAGE

Stabilize the Fuel

Fill the fuel tank with fresh fuel that has been treated with fuel stabilizer according to the product label directions. Do not allow untreated fuel to remain in the tank longer than 30 days, as the fuel begins to degrade and can cause damage to the fuel system components.

Battery Storage

- Remove the battery from the vehicle and ensure that it is fully charged before placing it in storage. Protect the battery from freezing temperatures, which can damage the battery.

Lubricate

Inspect all cables and lubricate with cable lubricant according to the product label directions. Grease the vehicle lubricating points with all season grease.

'Fog' the Engine

- Tilt the cargo box to access the spark plug(s).
- Remove the spark plug(s), rotate the piston to the bottom of its stroke, and pour approximately 2.0 oz. (15mL~20mL) of engine oil into the opening.

NOTE:

Do this carefully! If you miss the spark plug hole, oil will drain from the spark plug cavity, and appear to be an oil leak. To access the spark plug hole, use a section of clean hose and a small plastic squeeze bottle filled with the pre-measured amount of oil.

- Reinstall the spark plug(s). Torque the spark plug to specification.
- Turn engine over several times slowly. Oil will be forced in and around the piston, piston rings and the cylinder will be coated with a protective film of fresh oil.

CLEANING AND STORAGE

- Reinstall the spark plug(s), cap(s), and side panel.

NOTE:

Starting the engine during the storage period will disturb the protective film created by fogging. Corrosion could occur. Never start the engine during the storage period.

Storage Area And Covering

Support the vehicle with stands under the frame with the tires 30mm~40mm (1/2in) off the ground. Be sure the storage area is well ventilated, and cover the machine with an approved cover.

NOTE:

Do not use covers made of plastic or coated materials. They do not allow enough ventilation to prevent condensation, and may promote corrosion and oxidation.

CLEANING AND STORAGE

Transporting the Vehicle

Follow these procedures when transporting the vehicle:

- Turn off the engine and remove the key to prevent loss during transporting.
- Ensure the fuel cap is installed correctly and secure.
- Ensure the seat is installed correctly and secure.
- Place the gear into any position except the parking position, and block the front and rear wheels to prevent the vehicle from moving.

CAUTION
Never transport with the gear selector in the parking position.
Damage to the engine and transmission may result.

- Secure both the front and rear of the vehicle frame to the transport to prevent the vehicle from sliding or moving.

VEHICLE ISSUE DIAGNOSIS

Vehicle Issue Diagnosis

This section is intended to guide an average owner to simple items that could cause operating problems. Diagnosis of vehicle issues may require the experience of a dealership technician. Please contact your dealer if a solution is not apparent.

Engine does not turn over

Possible Cause	Solution
Blown fuse	Reset or replace the fuse
Low battery voltage	Recharge battery to 12.8 Vdc – Confirm battery state of health
Loose battery connections	Check all connections and tighten if necessary
Loose starter system electrical connections	Check all connections and tighten if necessary
Engine stop switch	Check function
Start circuit not complete – transmission in gear	Press foot brake or shift transmission to neutral or parking position.

Engine pings or knocks

Possible Cause	Solution
Poor quality or low octane fuel	Replace with minimum 89 octane unleaded fuel
Incorrect ignition timing.	See your dealer
Incorrect spark plug gap or heat range	Set spark plug gap to specs or replace plugs

VEHICLE ISSUE DIAGNOSIS

Engine stops or loses power

Possible Cause	Solution
Overheated engine	Clean radiator screen and external core; clean engine exterior; See your dealer
Out of fuel	Refuel with minimum 89 octane unleaded fuel
Kinked or plugged fuel tank vent line	Inspect and replace; See your dealer
Water present in fuel	Replace with new fuel
Fouled or defective spark plugs	Inspect and clean or replace spark plug
Worn or defective spark plug wires	See your dealer
Incorrect spark plug gap or heat range	Set gap to specs or replace plug
Loose ignition connections	Check all connections and tighten
Low battery voltage	Recharge battery to 12.8 Vdc; check charging system – Confirm battery health
Clogged air filter	Inspect and replace as necessary
Reverse speed limiter malfunction	See your dealer
Electronic throttle control malfunction	See your dealer
Other mechanical failure	See your dealer

VEHICLE ISSUE DIAGNOSIS

Engine turns over, Fails to start

Possible Cause	Solution
Clogged air filter	Inspect and replace as necessary; Replace spark plugs as necessary
Clogged fuel filter	Inspect and replace as necessary
Clogged fuel injector	See your dealer
Kinked or plugged fuel tank vent	Inspect and repair as necessary
No spark to spark plug	Inspect spark plugs, verify stop switch is on
Fouled or defective spark plugs	Inspect spark plugs, replace if necessary
Worn or defective spark plug wires	See your dealer
Incorrect spark plug gap or heat range	Set gap to specs or replace plugs
Loose or corroded electrical connections	Check all connections and tighten
Low battery voltage	Recharge battery to 12.8 Vdc – Confirm battery health
Old or incorrect fuel	Replace with 89 minimum octane unleaded fuel
Low or contaminated fuel	Add or change fuel, clean the fuel system
Low octane fuel	Replace with minimum 89 octane unleaded fuel
Crankcase filled with water or fuel	Immediately see your dealer
Water present in fuel	Replace with 89 minimum octane unleaded fuel
Possible Lean or Rich fuel mixture	See your dealer
Fuel is very high octane	Replace with minimum 89 octane unleaded fuel
Fuel pump is inoperative	Inspect pump and fuse; Replace as necessary
Engine turns over, Fails to start	Refuel

VEHICLE ISSUE DIAGNOSIS

Possible Cause	Solution
Reverse speed limiter malfunction	See your dealer
Electronic throttle control malfunction	See your dealer
Other mechanical failure	See your dealer

Engine backfires

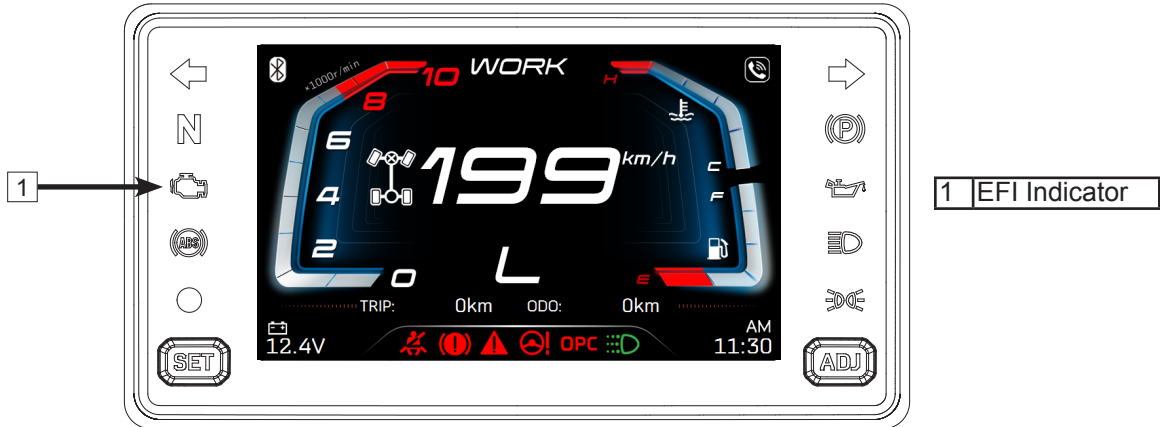
Possible Cause	Solution
Weak spark from spark plugs	Inspect and replace spark plugs as necessary
Incorrect spark plug gap or heat range	Set gap to specs or replace plugs
Old or non-recommended fuel	Replace with minimum 89 octane unleaded fuel
Incorrectly installed spark plug wires	See your dealer
Incorrect ignition timing	See your dealer
Mechanical failure	See your dealer
Speed limiter malfunction	See your dealer

VEHICLE ISSUE DIAGNOSIS

EFI Malfunction Indicator Light

The Electronic Fuel Injection system on your vehicle contains a self-diagnostic feature that will illuminate the malfunction indicator light (MIL) if it detects a problem. When this indicator flashes, please contact your dealer. In normal operation, the EFI indicator will be off.

Each trouble code consists of 4 digits, denoted by the short flash of the EFI MIL indicator with a 1 second interval between digits. If there is a failure, the EPS indicator will start to flash. Check the flash sequence of EFI indicator. Write down the flash sequence and contact your dealer for diagnosis. Your dealer has the special tool required to diagnose, repair and clear trouble codes. Any codes will disappear once the problem has been diagnosed and repaired by your dealer.



VEHICLE ISSUE DIAGNOSIS

EFI Malfunction Indicator

Example - CODE '0650':

'0' - light flashes 10 times

'6' - light flashes 6 times

'5' - light flashes 5 times

'0' - light flashes 10 times

Flash interval: 1 sec.

The flash cycle will repeat after EFI MIL indicator light turns off for 3 seconds. If there are multiple codes detected, the system will wait approximately 3 seconds and display the next code.

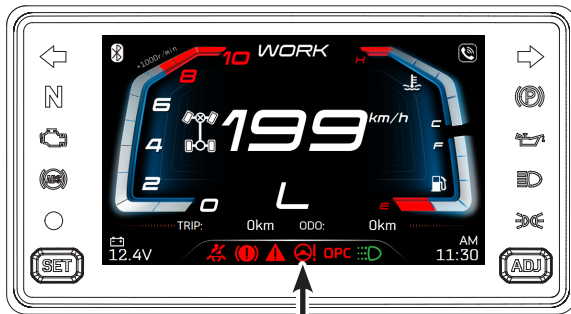
Stop operating the vehicle and contact your dealer immediately if the EFI system MIL is flashing.

VEHICLE ISSUE DIAGNOSIS

EPS Malfunction Indicator Light

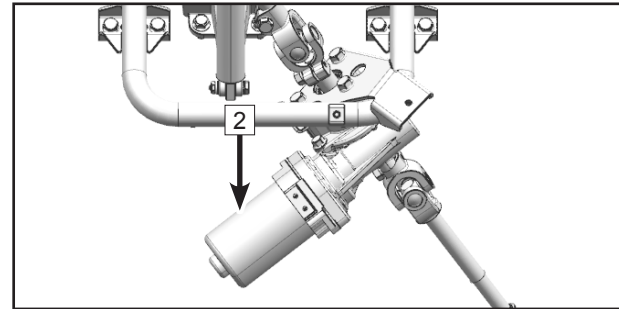
The Electronic Power Steering system on your vehicle contains a self-diagnostic feature that will illuminate the malfunction indicator light (MIL) if it detects a problem, when this indicator flashes, please contact your dealer. In normal operation, the EPS indicator will be on after the ignition switch is turned to ON, but EPS will not work. When the engine is started, the EPS indicator will be off and the EPS starts to function.

Each trouble code consists of 2 digits, denoted by the times of long flash and short flash of EPS MIL indicator. If there is a failure, the EPS indicator will start to flash. Do NOT switch off the machine. Check the flash sequence of EPS indicator. Write down the flash sequence and contact your dealer for diagnosis. Your dealer has the special tool required to diagnose, repair and clear trouble codes. Any codes will disappear once the problem has been diagnosed and repaired by your dealer.



1

1 | EPS Indicator



2

2 | EPS Assembly

VEHICLE ISSUE DIAGNOSIS

EPS Malfunction Indicator

Times of long flash represent the tens digit;

Times of short flash represent the single digit;

Duration of long flash: 2 sec.

Duration of short flash: 1 sec.

Flash interval: 1 sec.

The flash cycle will repeat after EPS MIL indicator light turns off for 3 seconds

Stop operating the vehicle and contact your dealer immediately if the EPS system MIL is flashing or there is a loss of steering assist with the engine running.

VEHICLE ISSUE DIAGNOSIS

Electronic Power Steering (EPS) Fault Diagnosis and Solution

Steering without assistance	<ol style="list-style-type: none"> 1. Wire connectors have bad contact or are disconnected 2. The fuse blew out 3. Relay damage 4. The controller, motor, or sensor is damaged 	<ol style="list-style-type: none"> 1. Check whether wire connectors and pins are fully inserted 2. Replace the fuse (40A) 3. Contact your dealer 4. Contact your dealer
Power assist does not weigh the same for left and right	<ol style="list-style-type: none"> 1. The median output voltage has deviation 2. Controller, motor or sensor is damaged 	<ol style="list-style-type: none"> 1. Contact your dealer 2. Contact your dealer
When system is 'ON', the steering swings to both sides	<ol style="list-style-type: none"> 1. Motor is mounted backwards 2. Controller or sensor is damaged 	<ol style="list-style-type: none"> 1. Contact your dealer 2. Contact your dealer
Steering becomes heavy	<ol style="list-style-type: none"> 1. Battery has power loss 2. Air pressure of the tires (front) is insufficient 3. Motor damage (power reduction) 	<ol style="list-style-type: none"> 1. Charge the battery 2. Inflate the tires 3. Contact your dealer
System has noise	<ol style="list-style-type: none"> 1. Motor damage 2. Gap of lower steering shaft assembly or mechanical steering assembly is too large 3. Installation of lower steering shaft assembly or mechanical steering assembly is loose 	<ol style="list-style-type: none"> 1. Contact your dealer 2. Contact your dealer 3. Contact your dealer

CFMOTO LIMITED WARRANTY FOR USA

CFMOTO Limited Warranty

Dear Customer,

Thank you for purchasing a CFMOTO product, if any component on your vehicle is found to be defective in materials or workmanship within the terms and conditions of this Limited Warranty, the defective component will be repaired or replaced (at the option of CFMOTO) without charge for parts and/or labor at any authorized dealer located within the United States. The CFMOTO Limited Warranty is subject to the following terms and conditions:

WARRANTY TERMS & CONDITIONS

- 1. WARRANTY DURATION:** The duration of the warranty period is one (1) year from the date of the new vehicle purchase from an authorized CFMOTO POWERSPORTS, Inc., Dealer. This warranty coverage is invoked from the purchase and use of CFMOTO vehicles only within the continental United States. During the warranty period, CFMOTO POWERSPORTS, Inc. will cover parts and labor costs incurred by an authorized CFMOTO POWERSPORTS, Inc. Dealer arising from a defect in material and/or workmanship of a CFMOTO vehicle. Any vehicles used for commercial purposes will have their warranty period reduced to six (6) months. If CFMOTO POWERSPORTS, Inc. covers a full engine replacement or a complete vehicle replacement under this warranty, the warranty period does not get extended and remains the same as the original purchase date of the vehicle at issue.
- 2. WARRANTY LIMITATIONS:** CFMOTO POWERSPORTS, Inc. provides warranty coverage for one (1) year on all parts and labor for all of its new CFMOTO ATVs. However, the following coverage, exceptions, and limitations apply to all CFMOTO vehicles:

CFMOTO LIMITED WARRANTY FOR USA

A. A 30-DAY WARRANTY coverage period applies to all new CFMOTO vehicles in relation to the vehicle's:

- Battery
- Spark Plugs
- Air Filters
- Oil and Fuel Filters

B. A 90-DAY WARRANTY coverage period applies to all new CFMOTO vehicles in relation to the vehicle's:

- Drive Belt
- Gear Shift, CVT, and Wet Clutch
- Throttle and Brake Cables
- Front/Rear Rims
- Front/Rear Tires
- Front/Rear Brake Pads or Shoes
- Front/Rear Brake Discs or Drums
- Wheel or Steering Stem Bearings and Seals
- Rubber Parts/Engine Mounts/Grips/Boots
- Brake or Clutch Levers
- Floor Boards or Pegs
- ATV Winch (if equipped)
- Light Bulbs/Fuses
- Body Plastics and Cosmetic Defects

CFMOTO LIMITED WARRANTY FOR USA

- 3. EXCLUSIONS FROM WARRANTY COVERAGE:** Any Damage resulting from the following acts or circumstances is not covered by the CFMOTO POWERSPORTS, Inc., Limited Warranty:
- Fire
 - Collision
 - Theft
 - Unavoidable natural disasters
 - Improper storage or transportation
 - Failure or negligence in the performance of periodic vehicle maintenance
 - Improper or negligent use or operation
 - Unauthorized repair or adjustment
 - Unauthorized modifications or performance upgrades
 - Use of vehicle as a rental vehicle
 - Use of vehicle in competitive or racing events
- 4. VEHICLE CARE AND MAINTENANCE:** The vehicle's owner must properly use, maintain, and care for the vehicle as outlined in the CFMOTO POWERSPORTS, Inc., Owner's Manual. Any warranty repairs must be performed exclusively by CFMOTO POWERSPORTS, Inc., authorized Dealers. Any warranty work performed by anyone other than an authorized CFMOTO Dealer will not be covered under the CFMOTO POWERSPORTS, Inc., Limited Warranty policy.

CFMOTO LIMITED WARRANTY FOR USA

- 5. TRANSFER OR CONTINUATION OF WARRANTY:** This warranty is transferable only under the following conditions:
- Transfer information must be provided to an authorized CFMOTO POWERSPORTS, Inc. dealer, who will then forward the information to CFMOTO POWERSPORTS, Inc.;
 - The complete model and serial number as shown on the original warranty document must be provided.
 - The name and address of the existing and new owners must be provided.
 - The original delivery date of the vehicle must be provided.
 - The new owner must indicate in writing that he/she has received and read the vehicle's Owner's Manual and the CFMOTO POWERSPORTS, Inc. Warranty Policy.
- 6. WARRANTY REGISTRATION:** The Dealer must complete a PDI form and warranty register the vehicle online and provide the completed registration form to CFMOTO POWERSPORTS, Inc., within seven (7) days of completing the sale of the vehicle. Please note that NO warranty claims will be processed unless the product warranty online registration form is completed and the form is received by CFMOTO POWERSPORTS, Inc., from the Dealer.
- 7. DEALER RESPONSIBILITIES:** A CFMOTO authorized Dealer must perform warranty coverage repairs at no charge to the customer, even if they are not the dealer that sold the CFMOTO vehicle to the customer, and must use CFMOTO OEM parts for all warranty repairs. All vehicles sold by the dealer must be inspected and tested by the dealer to ensure proper performance and operation prior to delivery to the customer. No vehicles may be delivered to a customer without first passing a dealer inspection and an operational test.

CFMOTO LIMITED WARRANTY FOR USA

8. **CUSTOMER ASSISTANCE:** Any questions or concerns regarding your CFMOTO vehicle or related products should be directed to an authorized CFMOTO dealer. However, if a dealer is unable to address customer concerns or a product issue, CFMOTO POWERSPORTS Customer Service can be contacted directly at (763) 398-2690 or by e-mail: info@cfmoto-us.com. Please note that Customer Service cannot approve or deny warranty, and cannot provide technical repair data, diagnosis, instruction, or other information beyond what is provided in the Owner's Manual.
9. **COMMERCIAL USE.** The duration of the warranty for commercial use shall be limited to a period of six (6) months instead of one year for recreational use. All other conditions and limitations shall apply.
10. **TIRES PROVIDED AS ORIGINAL EQUIPMENT:** Other than provided herein, vehicle tires supplied as original equipment are warranted separately by the individual tire manufacturer or its representatives.
11. **DISCLAIMER:** NO EXPRESS WARRANTY IS PROVIDED BY CFMOTO POWERSPORTS, INC. WITH RESPECT TO CFMOTO VEHICLES EXCEPT AS SPECIFICALLY SET FORTH HEREIN. ANY IMPLIED WARRANTY, WARRANTY OF MERCHANTABILITY, WARRANTY OF FITNESS FOR A PARTICULAR PURPOSE, AND ALL IMPLIED WARRANTIES ARISING FROM A COURSE OF DEALING, USAGE OF TRADE, BY STATUTE OR OTHERWISE, ARE HEREBY STRICTLY LIMITED TO THE TERMS OF THIS WRITTEN LIMITED WARRANTY.

CFMOTO LIMITED WARRANTY FOR USA

- 12. INTEGRATION:** This limited warranty supersedes any and all oral, express, or written warranties, statements, or undertakings that may previously have been made, and contains the entire agreement of the parties with respect to the warranty of CFMOTO vehicles. Any and all warranties not contained in this Agreement are specifically excluded. This warranty extends to each original (and subsequent) owner of any CFMOTO ATV, for the term of the original warranty period. This limited warranty shall be the sole and exclusive remedy available to the customer with respect to the covered CFMOTO vehicle. In the event of any alleged breach of any warranty or any legal action brought by the customer based on alleged negligence or other conduct by CFMOTO POWERSPORTS Inc., or its related parties, the customer's sole and exclusive remedy will be repair or replacement of defective components as stated above, unless otherwise provided by law. Some states do not allow limitations on how long an implied warranty lasts, so the above limitations may not apply if they are deemed inconsistent with the controlling state law.

CFMOTO LIMITED WARRANTY FOR USA

CALIFORNIA EVAPORATIVE EMISSIONS CONTROL WARRANTY STATEMENT YOUR WARRANTY RIGHTS AND OBLIGATIONS

INTRODUCTION:

The California Air Resources Board (CARB) and CFMOTO Powersports, Inc. (CFMOTO) are pleased to explain the evaporative emissions control system warranty on your 2020 and later-model year off-highway recreation vehicles (OHRVs). In California, new off-highway recreational vehicles must be designed, built, and equipped to meet the State's stringent anti-smog standards. CFMOTO must warrant the evaporative emissions control system on your OHRV for the periods of time listed below, provided there has been no abuse, neglect, improper maintenance, or unapproved modification of your OHRV.

Your evaporative emissions control system may include parts such as: fuel injection systems, electronic control systems, fuel tanks, fuel lines, fuel caps, valves, carbon canisters, filters, vapor hoses, belts, clamps, connectors, and other evaporative emissions-related components. Where a warrantable condition exists, CFMOTO will repair your OHRV at no cost to you, including diagnosis, parts and labor.

MANUFACTURER'S WARRANTY COVERAGE:

The warranty period for this OHRV is 30 months, or 2500 miles, or 250 hours, whichever comes first, except for "high-priced" warranty parts, which are covered for 60 months, or 5000 miles, or 500 hours, whichever comes first. If any evaporative emissions-related part on your OHRV is defective, the part will be repaired or replaced by CFMOTO.

OWNER'S WARRANTY RESPONSIBILITIES:

As the OHRV owner, you are responsible for the performance of the required maintenance listed in your owner's manual. CFMOTO recommends that you retain all receipts covering maintenance on your OHRV, but CFMOTO cannot deny warranty solely for the lack of receipts or for your failure to ensure the performance of a scheduled maintenance.

As an owner, you are responsible for presenting your OHRV to a CFMOTO dealer as soon as a problem

CFMOTO LIMITED WARRANTY FOR USA

exists. The warranty repairs should be completed in a reasonable amount of time, not to exceed 30 days. As an OHRV owner, you should also be aware that CFMOTO may deny you warranty coverage if your OHRV or a part has failed due to abuse, neglect, improper maintenance or unapproved modifications.

WARRANTY PARTS:

The repair or replacement of any warranted part otherwise eligible for warranty coverage may be excluded from such coverage if CFMOTO demonstrates that the OHRV has been abused, neglected, or improperly maintained, and that such abuse, neglect, or improper maintenance was the direct cause of the need for repair or replacement of the part. That notwithstanding, any adjustment of a component that has a factory installed, and properly operating, adjustment-limiting device is still eligible for warranty coverage. The following emission warranty parts list are covered:

- Fuel Tank[§]
- Fuel Cap
- Fuel Lines
- Fuel Lines Fittings
- Clamps
- Pressure Relief Valves*
- Control Valves*
- Control Solenoids*
- Electronic Control*
- Electronic Control Module*[§]
- Vacuum Control Diaphragms*
- Control Cables*
- Control Linkages*
- Purge Valves
- Vapor Hoses
- Liquid/Vapor Separator
- Carbon Canister
- Canister Mounting Brackets

*Parts that relate to the installed vehicle Evaporative Control System; §=High-Priced warranty parts.

THE REMOVAL OR MODIFICATION OF EVAPORATIVE EMISSION-RELATED PARTS ON THIS OHRV IS ILLEGAL. VIOLATORS MAY BE SUBJECT TO CIVIL AND/OR CRIMINAL PENALTIES AS PROVIDED UNDER CALIFORNIA AND FEDERAL LAW.

If you have any questions regarding your warranty rights and responsibilities, you should contact CFMOTO at 763 398-2690; 555 Holly Lane N. Suite #30 Plymouth, MN 55447 or the California Air Resources Board at 9528 Telstar Avenue, El Monte, CA 91731.

CFMOTO LIMITED WARRANTY FOR USA

U.S.A. EPA and CARB Emissions Control Limited Warranty

This emissions limited warranty is in addition to the CFMOTO Powersports, Inc. standard limited warranty for your vehicle. CFMOTO Powersports, Inc. warrants that at the time it is first purchased, this emissions-certified vehicle is designed, built and equipped so it conforms to applicable U.S. Environmental Protection Agency (EPA) and the California Air Resource Board (CARB) emission regulations. CFMOTO Powersports, Inc. also warrants that the vehicle is free from defects in materials and workmanship that would cause it to fail to meet these regulations.

The warranty period for this emissions-certified vehicle starts on the date the vehicle is first purchased and continues for a period of 500 hours of engine operation, 5000 kilometers (3,100 miles) of vehicle travel, or 30 calendar months from the date of purchase, whichever comes first. This emissions limited warranty covers components whose failure increases the vehicle's regulated emissions, and it covers components of systems whose only purpose is to control emissions. Repairing or replacing other components not covered by this warranty is the responsibility of the vehicle owner. This emissions limited warranty does not cover components whose failure does not increase the vehicle's regulated emissions.

For exhaust emissions, emission-related components include any engine parts related to the following systems:

- Air-induction system (excludes filters)
- Ignition system (excludes spark plugs)
- Fuel system (excludes filters)
- Exhaust gas recirculation systems

The following parts are also considered emission-related components for exhaust emissions:

- After treatment devices
- Sensors
- Crankcase ventilation valves
- Electronic control units

CFMOTO LIMITED WARRANTY FOR USA

The following parts are considered emission-related components for evaporative emissions:

- Fuel Tank
- Fuel Cap
- Fuel Line
- Fuel Line Fittings
- Clamps*
- Pressure Relief Valves*
- Control Valves*
- Electronic Controls*
- Vacuum Control Diaphragms*
- Control Cables*
- Control Linkages*
- Purge Valves
- Vapor Hoses
- Liquid/Vapor Separator
- Carbon Canister
- Carburetor Purge Port Connector

* As related to the evaporative emission control system.

The exclusive remedy for breach of this limited warranty shall be, at the exclusive option of CFMOTO Powersports, Inc., repair or replacement of any defective materials, components or products.

THE REMEDIES SET FORTH IN THIS LIMITED WARRANTY ARE THE ONLY REMEDIES AVAILABLE TO ANY PERSON FOR BREACH OF THIS WARRANTY. CFMOTO POWERSPORTS, INC. SHALL HAVE NO LIABILITY TO ANY PERSON FOR INCIDENTAL, CONSEQUENTIAL OR SPECIAL DAMAGES OF ANY DESCRIPTION, WHETHER ARISING OUT OF EXPRESS OR IMPLIED WARRANTY OR ANY OTHER CONTRACT, NEGLIGENCE OR OTHER TORT OR OTHERWISE. THIS EXCLUSION OF CONSEQUENTIAL, INCIDENTAL, AND SPECIAL DAMAGES IS INDEPENDENT FROM AND SHALL SURVIVE ANY FINDING THAT THE EXCLUSIVE REMEDY FAILED OF ITS ESSENTIAL PURPOSE.

CFMOTO LIMITED WARRANTY FOR USA

ALL IMPLIED WARRANTIES (INCLUDING BUT NOT LIMITED TO ANY IMPLIED WARRANTIES OF MERCHANTABILITY AND FITNESS FOR A PARTICULAR PURPOSE) ARE LIMITED IN DURATION TO THE WARRANTY PERIOD DESCRIBED HEREIN. CFMOTO POWERSPORTS, INC. DISCLAIMS ALL EXPRESS WARRANTIES NOT STATED IN THIS WARRANTY.

Some states do not allow limitations on how long an implied warranty lasts, so the above limitation may not apply if it is inconsistent with the controlling state law. This limited warranty excludes failures not caused by a defect in material or workmanship. This limited warranty does not cover damage due to accidents, abuse or improper handling, maintenance or use. This limited warranty also does not cover any engine that has been structurally altered, or when the vehicle has been used in racing competition. This limited warranty also does not cover physical damage, corrosion, or defects caused by fire, explosions or other similar causes beyond the control of CFMOTO Powersports, Inc. Owners are responsible for performing the scheduled maintenance identified in the owner's manual. CFMOTO Powersports, Inc. may deny warranty claims for failures that have been caused by the owner's or operator's improper maintenance or use, by accidents for which CFMOTO Powersports, Inc. has no responsibility, or by acts of God. Any qualified repair shop or person may maintain, replace, or repair the emission control devices or systems on your vehicle. CFMOTO Powersports, Inc. recommends that you contact an authorized CFMOTO Powersports, Inc. dealer to perform any service that may be necessary for your vehicle. CFMOTO Powersports, Inc. also recommends that you use only genuine CFMOTO Powersports, Inc. parts. It is a potential violation of the Clean Air Act if a part supplied by an aftermarket parts manufacturer reduces the effectiveness of the vehicle's emission controls. Tampering with emission controls is prohibited by federal law. If you have any questions regarding your warranty rights and responsibilities, please contact CFMOTO Powersports, Inc. at 888-823-6686.

CFMOTO LIMITED WARRANTY FOR USA

Noise Control System and Tampering

Warranty time period: **1,865 miles (3000 km)**

Federal law prohibits the following acts or causing thereof:

1. The removal or rendering inoperative by any person other than for purposes of maintenance, repair, or replacement, of any device or element of design incorporated into any new vehicle for the purpose of noise control prior to its sale or delivery to the ultimate purchaser or while it is in use or;
2. The use of the vehicle after such device or element of design has been removed or rendered inoperative by any person.

AMONG THOSE ACTS PRESUMED TO CONSTITUTE TAMPERING ARE THE ACTS LISTED BELOW:

These acts include tampering with the following systems; i.e., modification, removal, etc.

Exhaust system

- Muffler
- Exhaust
- Silencer

Intake system

- Air cleaner case
- Air cleaner element
- Intake duct

Change of Ownership

If you sell your vehicle, any valid remainder of the warranty can be transferred to the new owner. Please record the details of the exchange below and inform an authorized CFMOTO dealer:

Change of Ownership	Original Purchaser	2nd Owner	3rd Owner	4th Owner
Owner Name				
Address				
City				
State / Zip Code				
Telephone				
E-mail				
Date of Purchase				
Odometer Reading				
New Owner Signature				

NOTE:

If a completed Change of Ownership form does not include the required details or is inaccurate, CFMOTO reserves the right to investigate the actual ownership of the product, the service history, and possibly refuse the application for warranty transfer if the requirements have not been fulfilled.

TABLE DES MATIÈRES

Avant-Propos	195
Bienvenue	195
EVAP System (Système de recyclage des vapeurs de carburant).....	196
Mots indicateurs	197
Introduction.....	201
Numéro identification de votre véhicule	201
UFORCE 1000, UFORCE 1000 XL.....	202
Sécurité de l'utilisateur	208
Précautions générales de sécurité.....	208
Responsabilités du propriétaire.....	212
Étiquettes de sécurité, emplacements et avertissements	218
Avertissement de danger	228
Caractéristiques et commandes.....	256
Commandes principales.....	256
Commandes secondaires.....	260
Caractéristiques du véhicule	267
Système CVT	281
Système de freinage moteur (EBS).....	282
Évitez les défaillances de la courroie d'entraînement et de l'embrayage CVT.....	283
Indicateurs et avertissements du tableau de bord.....	286

Conduite et opération	294
Période de rodage	294
Inspection pré-randonnée	296
Pédale de l'accélérateur	296
Pédale de frein	296
Démarrage du moteur	297
Fonctionnement du sélecteur de vitesse	298
Conduite et	301
Responsabilités du conducteur	301
Exercez-vous!	305
Conduire votre véhicule.....	309
Transport et remorquage d'une charge	315
Entretien	332
Définition de l'utilisation abusive.....	333
Calendrier d'entretien périodique et icône clé	334
Points clés du calendrier de lubrification	335
Liste de vérification pré-randonnée	336
Liste de maintenance - Période de rodage	338
Liste d'entretien périodique	340
Procédure d'entretien	346

Nettoyage et entreposage	379
Transport du véhicule	383
Dépannage	384
Le moteur de démarre pas	384
Cliquetis ou cognements du moteur	385
Le moteur s'arrête ou perd de la puissance	385
Le moteur refuse de démarrer	387
Retour de flamme du moteur	388
Indicateur de dysfonctionnement du système EFI (injection électronique de carburant)	389
Indicateur de dysfonctionnement du système EPS	391
Diagnostic et solution de dysfonctionnement du système EPS	393
Garantie CF Moto	394
Changement de propriétaire	395

AVANT-PROPOS

Bienvenue

Merci d'avoir acheté un véhicule CFMOTO et bienvenue dans la grande famille d'enthousiastes CFMOTO. Visitez-nous au www.cfmoto.com pour nos plus récentes nouvelles, la présentation de nouveaux produits, les événements à venir, les opportunités de carrière, et plus encore.

CFMOTO est une entreprise internationale spécialisée dans le développement, la fabrication et la commercialisation de véhicules tout-terrain, de véhicules utilitaires, de motos de grande cylindrée et de leurs composants de base. Fondée en 1989, CFMOTO se consacre au développement de la culture de marques indépendantes et de l'innovation en R&D. Les produits CFMOTO sont présentement distribués à travers plus de 2000 entreprises dans le monde, dans plus de 100 pays et régions. CFMOTO se classe parmi les premiers rangs du monde des sports motorisés et vise à fournir des produits de qualité supérieure aux concessionnaires et aux fans du monde entier.

Pour une utilisation sécuritaire et agréable de votre véhicule, assurez-vous de suivre les instructions et recommandations contenues dans le présent manuel du propriétaire. Votre manuel contient des instructions pour l'entretien général. Des informations sur les réparations majeures vous sont fournies dans le manuel de service CFMOTO.

Personne ne connaît mieux votre véhicule que votre concessionnaire CFMOTO, qui souhaite votre entière satisfaction. Assurez-vous de retourner chez votre concessionnaire pour tous vos besoins en matière d'entretien pendant la période de garantie.

En raison de l'amélioration constante de la conception et de la qualité des composants de production, des différences mineures peuvent survenir entre le véhicule réel et les informations présentées dans cette publication. Les représentations et/ou procédures ci-incluses vous sont fournies à titre de référence seulement.

Ce manuel s'applique aux modèles UFORCE 1000 et UFORCE 1000 XL.

AVANT-PROPOS

AVERTISSEMENT

Les émanations du moteur de ce produit contiennent des produits chimiques reconnus par certains États américains comme étant cancérigènes, pouvant causer des anomalies congénitales ou autres problèmes du système reproducteur.

EVAP (Système de recyclage des vapeurs de carburant)

[si équipé]

Contactez votre concessionnaire si une réparation est requise. Ne modifiez pas le système EVAP, assurez-vous que tous les boyaux ne sont ni bouchés ni pliés, à défaut de quoi la pompe à essence ou le réservoir pourraient être endommagés.

Convertisseur catalytique

ATTENTION : Veuillez respecter les consignes suivantes pour protéger votre convertisseur catalytique.

- Utilisez uniquement de l'essence sans plomb. Même si l'essence ne contient que très peu de plomb, ceci pourrait endommager les métaux réactifs contenus dans le convertisseur catalytique et le désactiver.
- Ne jamais ajouter d'huile antirouille et d'huile moteur dans le silencieux, ceci pourrait désactiver le convertisseur catalytique.

REMARQUE

Les descriptions, instructions ou procédures présentées dans ce document sont données à titre de référence seulement, et reflète le point de vue du conducteur lorsqu'il se retrouve assis sur le véhicule.

AVANT-PROPOS

Mots indicateurs

Mots qui attirent l'attention sur un ou des message(s) de sécurité, avertissant sur les probabilités de dommages matériels ou un degré de risque sérieux. Les mots indicateurs contenus dans ce manuel sont AVERTISSEMENT, ATTENTION et REMARQUE.

AVERTISSEMENT

Ce symbole d'avertissement indique une situation dangereuse susceptible de provoquer des blessures graves, voire mortelles.

ATTENTION

Ce symbole d'avertissement indique une situation dangereuse susceptible de provoquer des blessures mineures ou modérées ou encore des dommages au véhicule.

ATTENTION

Cet avertissement sans symbole indique une situation dangereuse susceptible de causer des dommages au véhicule.

REMARQUE ou AVIS

Utilisé pour aborder des procédés qui ne sont pas liés à des possibilités de lésions corporelles.

AVANT-PROPOS



NE JAMAIS CONDUIRE CE VÉHICULE

- Sans formation ni instructions adéquates ;
- Sur la voie publique, car vous pourriez entrer en collision avec un autre véhicule ;
- Sur des routes pavées. La chaussée peut sérieusement affecter la manipulation et le contrôle ;
- À des vitesses trop élevées pour vos compétences ou les conditions ;
- Avec plusieurs passagers à bord, les VTT de type 2 sont conçus pour le conducteur et un seul passager à la fois ;
- Sous l'emprise de drogue ou d'alcool ;

IL FAUT TOUJOURS

- Éviter les surfaces pavées qui pourraient nuire à la manipulation et au contrôle du véhicule ;
- Utiliser des techniques de conduite appropriées pour éviter le renversement du véhicule sur les collines et les terrains accidentés ainsi que lors des virages ;
- Porter des lunettes de protection ainsi qu'un casque et des vêtements de protection.

AVANT-PROPOS

LIRE LE GUIDE DE L'UTILISATEUR

SUIVRE TOUTES LES INSTRUCTIONS ET RESPECTEZ LES AVERTISSEMENTS

 **AVERTISSEMENT**

Veillez lire, comprendre et suivre toutes les instructions et les consignes de sécurité contenues dans ce guide et sur toutes les étiquettes des produits. Défaut de suivre ces consignes de sécurité peut entraîner des blessures graves, voire mortelles.

 **AVERTISSEMENT**

Les gaz d'échappement du moteur de ce produit contiennent du CO₂ (monoxyde de carbone), un gaz mortel pouvant causer des maux de tête, des vertiges, des pertes de conscience, ou même la mort.

INTRODUCTION

Merci d'avoir acheté un véhicule CFMOTO et bienvenue dans la grande famille universelle de propriétaires CFMOTO. Pour une utilisation sécuritaire et agréable de votre véhicule, assurez-vous de suivre les instructions et recommandations contenues dans le présent manuel du propriétaire. Votre manuel contient des instructions pour l'entretien général. Des informations sur les réparations majeures vous sont fournies dans le manuel de service CFMOTO et devraient être pratiquées par un professionnel CFMOTO. Assurez-vous de retourner chez votre concessionnaire pour tous vos besoins en matière d'entretien pendant la période de garantie.

Si vous avez des questions ou des préoccupations concernant votre véhicule

Toutes les questions ou préoccupations relatives à votre véhicule doivent d'abord être adressées à votre concessionnaire CFMOTO local. Votre concessionnaire est celui qui connaît le mieux votre véhicule et il s'intéresse à votre entière satisfaction. Dans le cas où votre revendeur local est incapable de résoudre un problème ou une préoccupation concernant le produit, vous pouvez contacter un représentant du service client CFMOTO en fonction du marché dans lequel vous résidez :

Pour les États-Unis : Veuillez contacter CFMOTO POWERSPORTS, INC. TÉL. : 763 398-2690, par courriel : info@cfmotousa.com, ou en ligne : <https://cfmotousa.com/customer-care/customer-care-contact>. Veuillez noter que le service client n'a pas le pouvoir d'approuver ou de refuser la garantie et ne peut pas fournir de données de réparation technique, de diagnostic ou d'instructions.

Pour le Canada : Veuillez contacter CANADA MOTOR IMPORT INC. TÉL. : 418 227-2077, ou en ligne : <https://cfmoto.ca/en/customer-care/>.

Pour un problème de sécurité lié à votre véhicule canadien, vous pouvez le signaler à la Division des enquêtes sur les défauts et rappels de Transports Canada par courrier, par téléphone ou en ligne en utilisant les coordonnées ci-dessous.

Adresse postale : Transports Canada - ASFAD, 330, rue Sparks, Ottawa, ON, K1A 0N5

TÉL. : 819 994-3328 (région d'Ottawa-Gatineau ou international) ou sans frais : 1 800 333-0510 (au Canada)

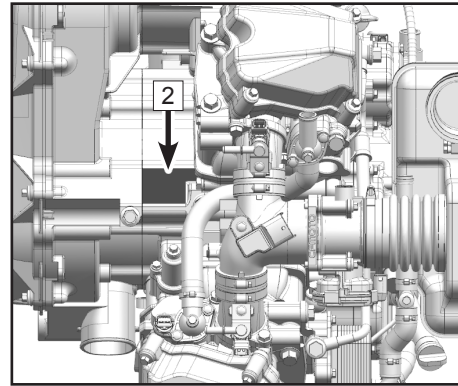
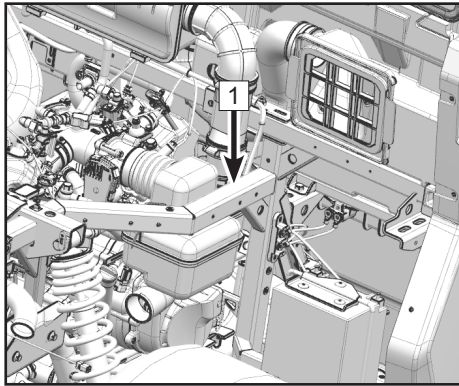
En ligne: <http://www.tc.gc.ca/recalls>

INTRODUCTION

Numéro d'identification de votre véhicule

Enregistrez le numéro d'identification de votre véhicule (VIN) et le numéro d'identification de son moteur (EIN) dans les espaces prévus à cet effet ci-dessous. Retirez la clé de secours et conservez-la dans un endroit sûr. Votre clé ne peut être dupliquée qu'à l'aide de l'une des 2 clés existantes.

Si les 2 clés sont perdues, l'ensemble de verrouillage complet devra être remplacé.



1. Numéro d'identification du véhicule : _____

2. Numéro d'identification du moteur : _____

SPÉCIFICATIONS

Élément	UFORCE 1000	UFORCE 1000 XL
Longeur totale	115,9 po (2945 mm)	147,4 po (3745 mm)
Largeur totale	63,6 po (1615 mm)	63,6 po (1615 mm)
Hauteur totale	72,8 po (1850 mm)	72,8 po (1850 mm)
Empattement	80,7 po (2050 mm)	112,2 po (2850 mm)
Dégagement du sol	11 po (280 mm)	12 po (310 mm)
Rayon de braquage minimum	161,4 po (4100 mm)	216,5 po (5500 mm)
Poids de base (huile à moteur et carburant rempli)	1521,5 lb (690 kg)	1829,8 lb (870 kg)
Capacité de poids du porte-bagages arrière	770,9 lb (350 kg)	770,9 lb (350 kg)
Charge maximale du véhicule autorisée	1508,8 lb (685 kg)	1455 lb (660 kg)
Capacité de remorquage recommandée :	99 lb (45 kg)	
Poids de l'attelage de remorque	1146,4 lb (520 kg)	
Poids de la remorque et du chargement	1763,7 lb (800 kg)	
Modèle et type de moteur	2V91Y	
Type	Moteur V2 à 4 temps, refroidi par liquide, 8 valves, SOHC	

SPÉCIFICATIONS

Élément	UFORCE 1000	UFORCE 1000 XL
Alésage x course	3,5 po x 2,91 po (91 mmx 74 mm) x 2	
Cylindrée	962,6 ml	
Taux de compression	10.6:1	
Démarrage	Électrique	
Système de lubrification	Éclaboussure / pression	
Huile à moteur :	SAE 10W-40 / SAE 5W-40 / SAE 15W-40	
Type	(Voir charte de viscosité page 2)	
Volume	2,6 L	
Capacité changement / Huile filtre	2,5 L	
Huile à transmission :	SAE75W-90GL-5	
Type	SAE75W-90GL-5	
Capacité changement	0,6 L	
Système de refroidissement :	Commerciale, sans danger pour les moteurs en aluminium	
Type	Commerciale, sans danger pour les moteurs en aluminium	
Capacité	4,2 L	
Taux de mélange	50% refroidisseur / 50% eau distillé	

SPÉCIFICATIONS

Élément	UFORCE 1000	UFORCE 1000 XL
Huile de carter arrière : Type Volume Changement d'huile périodique	SAE80W/90GL-5 13,5 oz (400 ml)	
Huile de carter avant : Type Volume Changement d'huile périodique	SAE80W/90GL-5 8,5 oz (250 ml)	
Filtre à air	Papier	
Type d'essence Capacité du réservoir Capacité restante lorsque la lumière clignote (approximatif)	89 ou plus, sans plomb 10,6 gallons (40 L) 0,9 gallons (3,5 L)	

SPÉCIFICATIONS

Élément		UFORCE 1000	UFORCE 1000 XL	
Type de bougie		DCPR8E (NGK)		
Écartement de l'électrode		0,031 po ~ 0,035 po (0,8 mm ~ 0,9 mm)		
Transmission	Transmission		CVT + Boîtier de vitesse	
	Vitesse (ordre)		Manuel / L—H—N—R—P	
	Ratio CVT		0,70 ~ 2,88	
	Système de frein moteur (EBS)		Pour le marché Australien seulement	
	Ratio boîtier de vitesse	Bas	43/17=2,529	
		Élevé	32/28=1,143	
Marche arrière		29/13=2,231		
Châssis	Tube en acier			
Pneus :		Sans chambre à air 27 × 9,00 R14 60L / 27×9,11-14 61L 27 × 11,00 R14 66L / 27×11,00-14 70L 4x110 mm		
Type				
Avant				
Arrière				
Modèle de boulon de roue				

SPÉCIFICATIONS

Élément	UFORCE 1000	UFORCE 1000 XL
Pression des pneus :		
Avant	10 PSI (70 kPa)	14 PSI (100 kPa)
Arrière	14 PSI (100 kPa)	17 PSI (120 kPa)
Pression des pneus avec chargement et haute vitesse :		
Avant	17 PSI (120kPa)	17 PSI (120kPa)
Arrière	22 PSI (150 kPa)	22 PSI (150 kPa)
Système de freins :	Essieux avant : double disques Essieux arrière : double disques	
Pédale de frein type / Fonctionnement	Actionné avec le pied Disques aux 4 roues	
Frein de stationnement Type / Fonctionnement	Actionné manuellement Disques mécaniques roues arrières seulement	
Type de liquide à frein	DOT 4	
Suspension :		
Suspension avant	Bras double A, indépendante	
Suspension arrière	Bras double A, indépendante	

SPÉCIFICATIONS

Élément	UFORCE 1000	UFORCE 1000 XL
Amortisseurs : Amortisseurs avants Amortisseurs arrières	Ressort hélicoïdal à l'huile Ressort hélicoïdal l'huile	
Débattement des roues : Avant Arrière	9,1 po (230 mm) 9,1 po (230 mm)	
Système électrique : Démarrage Charge Batterie	Électronique A/C 600 Watt @ 5000 TR/MIN rectifié Tr/min 12 Vdc / 30 Ah	

SÉCURITÉ DE L'UTILISATEUR

Précautions générales de sécurité

AVERTISSEMENT

Le non-respect des avertissements contenus dans ce guide peut entraîner des blessures graves, voire mortelles. Un VTT n'est pas un jouet et peut être dangereux à conduire. Il demande une conduite différente des autres véhicules, tels que les motos et les voitures. Une collision ou un renversement peut se produire rapidement, même lors de manœuvres de routine comme les virages ou en franchissant des obstacles, si vous ne prenez pas les précautions nécessaires.

Lisez ce guide de l'utilisateur. Avant d'utiliser ce VTT, assurez-vous de bien comprendre tous les avertissements, ainsi que toutes les consignes et procédures de fonctionnement.

Restriction d'âge

Ce véhicule est POUR ADULTE SEULEMENT. Son utilisation est interdite aux personnes de moins de 16 ans. Aucun passager de moins de 12 ans n'est autorisé à bord des véhicules CFMOTO conçus pour transporter un passager.

Apprenez à connaître votre véhicule

En tant qu'opérateur du véhicule, vous êtes responsable de votre sécurité personnelle, de la sécurité des autres et de la protection de notre environnement. Assurez-vous de lire et de bien comprendre ce guide qui comprend des renseignements précieux sur tous les aspects de votre véhicule, y compris les procédures de sécurité.

SÉCURITÉ DE L'UTILISATEUR

Modifications à l'équipement

CFMOTO est soucieux de la sécurité de nos clients et du public en général. Par conséquent, nous recommandons fortement aux consommateurs de ne pas installer sur un véhicule, tout équipement susceptible d'en augmenter la vitesse ou la puissance, ou d'apporter toute autre modification en ce sens au véhicule. Toute modification de l'équipement d'origine du véhicule crée un risque de sécurité considérable et augmente le risque de blessures corporelles. La garantie sur votre VTT sera automatiquement résiliée en cas d'ajout de tout accessoire non autorisé ou de modification apportée au véhicule pour en augmenter la vitesse ou la puissance.

NOTE Certains accessoires peuvent être ajoutés au véhicule, et peuvent en modifier les caractéristiques de manipulation et de performance. Ces accessoires comprennent, mais ne sont pas limités à : tondeuses, lames, pneus, pulvérisateurs, grands supports, ensembles élévateurs et remorques. Utilisez uniquement des accessoires approuvés et familiarisez-vous avec leurs fonctions.

Évitez l'intoxication au monoxyde de carbone

- Tous les gaz d'échappement du moteur contiennent du monoxyde de carbone, un gaz mortel. Respirer du monoxyde de carbone peut provoquer des maux de tête, des étourdissements, une somnolence, des nausées, de la confusion et éventuellement la mort.
- Le monoxyde de carbone est un gaz incolore, inodore et insipide qui peut être présent même si vous ne voyez ni ne sentez aucun échappement du moteur. Des niveaux mortels de monoxyde de carbone peuvent s'accumuler rapidement et vous pouvez rapidement être vaincu et incapable de vous échapper. De plus, des niveaux mortels de monoxyde de carbone peuvent persister pendant des heures ou des jours dans des zones fermées ou mal ventilées.
- Pour éviter des blessures graves ou la mort par intoxication au monoxyde de carbone :
 - Ne conduisez jamais le véhicule dans des zones mal ventilées ou partiellement fermées.
 - Ne jamais opérer le véhicule sur un site extérieur où les gaz d'échappement du moteur peuvent être aspirés dans un bâtiment par des ouvertures comme les fenêtres et les portes.

SÉCURITÉ DE L'UTILISATEUR

Évitez les incendies d'essence et autres dangers

L'essence est extrêmement inflammable et hautement explosive. Les vapeurs de carburant peuvent se propager et s'enflammer à la moindre étincelle ou flamme, même à plusieurs mètres du moteur. Pour réduire les risques d'incendie ou d'explosion, suivez ces instructions :

- Utilisez uniquement un bidon d'essence approuvé pour entreposer le carburant.
- Ne jamais remplir le bidon d'essence alors qu'il se trouve dans la boîte de chargement du véhicule ou sur le véhicule. Une décharge d'électricité statique pourrait enflammer le carburant.
- Respectez rigoureusement les procédures appropriées de ravitaillement en carburant.
- Ne jamais démarrer ou faire tourner le moteur si le bouchon du réservoir n'est pas correctement installé. L'essence est toxique et peut provoquer des blessures, voire la mort.
- Ne jamais siphonner l'essence par la bouche.
- Si vous avalez de l'essence, en avez dans les yeux ou inhalez des vapeurs d'essence, consultez immédiatement un médecin.
- Si de l'essence se déverse sur vous, lavez-vous à l'eau savonneuse et changez vos vêtements.

Indice d'octane minimum du carburant et avertissement de sécurité

Le carburant recommandé pour votre véhicule est de 89 octane minimum, de qualité supérieure ou intermédiaire (un mélange maximal de 10% d'éthanol est autorisé). Un carburant non oxygéné (sans éthanol) est recommandé pour de meilleures performances dans toutes les conditions.

SÉCURITÉ DE L'UTILISATEUR

AVERTISSEMENT

L'essence est hautement inflammable et explosive dans certaines conditions.

Laissez refroidir le moteur et le système d'échappement avant de remplir le réservoir.

Soyez toujours extrêmement prudent lorsque vous manipulez de l'essence.

Faites toujours le plein d'essence avec le moteur coupé, à l'extérieur ou dans un endroit bien ventilé.

Ne transportez jamais un récipient en plastique contenant de l'essence dans la zone de chargement lorsque vous roulez. L'électricité statique entre la zone de chargement et le contenant pourrait provoquer une étincelle.

Ne fumez pas et ne laissez pas de flammes nues ou d'étincelles dans ou à proximité de la zone où le ravitaillement est effectué, ou à l'endroit où est entreposé de l'essence.

Ne remplissez pas trop le réservoir. Ne remplissez pas jusqu'au col du réservoir.

Si de l'essence se répand sur votre peau ou vos vêtements, lavez-les immédiatement à l'eau et au savon et changez de vêtements.

Ne démarrez jamais le moteur et ne le laissez jamais tourner dans un espace clos. Les gaz d'échappement du moteur sont toxiques et peuvent causer une perte de conscience ou la mort en peu de temps.

L'échappement du moteur de ce produit contient des produits chimiques connus pour causer le cancer, des anomalies congénitales ou d'autres dommages au système reproducteur. Assurez-vous de faire fonctionner ce véhicule uniquement à l'extérieur ou dans des zones bien ventilées.

Évitez les brûlures sur les pièces chaudes

Les composants du système d'échappement sont très chauds pendant l'utilisation du véhicule. Évitez tout contact pendant et immédiatement après l'utilisation afin d'éviter les brûlures.

SÉCURITÉ DE L'UTILISATEUR

Responsabilités du propriétaire

Soyez qualifiés et responsables

Lisez attentivement ce guide de l'utilisateur et les autocollants d'avertissement sur ce véhicule. Si disponible dans votre secteur, suivez une formation sur la sécurité dans les espaces ouverts. Pratiquez-vous à basse vitesse. Des vitesses plus élevées nécessitent une plus grande expérience, des connaissances et des conditions de conduite appropriées. Familiarisez-vous complètement avec les commandes opérationnelles et le fonctionnement général du véhicule.

Ce véhicule est pour ADULTES SEULEMENT. La conduite est interdite à toute personne de moins de 16 ans. L'opérateur doit être suffisamment grand pour être correctement assis contre le dossier avec la ceinture de sécurité bouclée, pour tenir le volant avec les 2 mains et être en mesure d'atteindre de plein pied les pédales de freins et de l'accélérateur avec le pied droit, et pouvoir planter fermement le pied gauche sur le repose-pied.

Les conducteurs peuvent être tenus de détenir un permis de conduire approprié, conformément aux lois locales.

SÉCURITÉ DE L'UTILISATEUR

Le transport d'un passager

- Ne transportez qu'un seul passager à la fois. Le passager doit être correctement assis sur le siège du passager.
- Le passager doit avoir au moins 12 ans et être assez grand pour être toujours correctement assis contre le dossier avec la ceinture bouclée, en tenant la poignée et en ayant les pieds fermement plantés ; pied droit sur le repose-pieds et pied gauche sur le plancher du véhicule.
- Ne jamais transporter un passager ayant consommé drogue ou alcool, ou qui est fatigué ou malade. Ces conditions ralentissent le temps de réaction et altèrent le jugement.
- Demandez au passager de lire les autocollants de sécurité du véhicule.
- Ne jamais transporter un passager si vous jugez que sa capacité ou son jugement est insuffisant pour se concentrer sur les conditions du terrain et s'adapter en conséquence. Plus spécifiquement pour les véhicules côte à côte, le passager doit également prêter une attention constante au terrain devant lui et être capable de se préparer aux bosses.

SÉCURITÉ DE L'UTILISATEUR

Conduisez prudemment

- Ce véhicule n'est pas un jouet et peut être dangereux à utiliser. Ce véhicule se comporte différemment des autres véhicules tels que les motos ou les voitures. Si vous ne prenez pas les précautions appropriées, une collision ou un renversement peut se produire rapidement lors de manœuvres brusques telles que les virages serrés, une accélération ou une décélération, et une conduite sur coteau ou sur des obstacles.
- Ne jamais utiliser à des vitesses excessives. Utilisez toujours une vitesse adaptée au terrain, à la visibilité, aux conditions de fonctionnement et à votre expérience.
- Ne jamais tenter de sauts, de glissades latérales, de « beignes » ou autres cascades.
- Ne jamais tenter une accélération ou décélération rapide lors d'un virage serré. Cela pourrait entraîner un renversement.
- Ne jamais tenter de dérapage ou de glissades. Si le véhicule commence à déraper ou à glisser, contre-braquez dans le sens du dérapage ou du glissement. Sur les surfaces extrêmement glissantes comme la glace, circulez lentement et soyez prudent afin de réduire les risques de dérapage ou de perte de contrôle.
- Toujours vérifier la présence d'obstacles ou de personnes derrière le VTT avant de faire marche arrière. Portez attention aux angles morts. Lorsqu'il est sécuritaire de faire marche arrière, procédez lentement.
- Ne jamais dépasser les limites de charge indiquées pour ce véhicule. La cargaison doit être correctement arrimée. Réduisez votre vitesse, considérez une plus grande distance de freinage et suivez les autres instructions de ce guide.
- Assurez-vous que la charge est bien répartie dans la boîte de chargement. Sinon, cela pourrait modifier le centre de gravité et entraîner le renversement du véhicule.

SÉCURITÉ DE L'UTILISATEUR

Système de protection contre le renversement (ROPS)

- Le ROPS de ce véhicule répond aux exigences de performance selon la norme ISO 3471 : 2008. Le ROPS peut limiter les intrusions d'objets extérieurs et réduire votre risque de blessure lors d'un renversement.
- Suivez toujours toutes les pratiques d'utilisation sécuritaires décrites dans ce manuel pour éviter le renversement du véhicule.
- Ne jamais sortir vos mains ou vos pieds à l'extérieur du véhicule en mouvement. Le ROPS ne vous protégera pas de blessures dans tous les cas de renversements.
- En cas de dommages causés au ROPS, toujours le faire inspecter soigneusement par un concessionnaire CFMOTO autorisé.

Système de retenue des occupants

- Ce véhicule est conçu pour transporter un conducteur et un passager, chacun portant un équipement de protection approprié.
- Le conducteur et le passager doivent verrouiller les portes latérales ou les filets latéraux et porter la ceinture de sécurité en tout temps lorsque le véhicule est en mouvement

SÉCURITÉ DE L'UTILISATEUR

Conditions du terrain

- Évitez les virages serrés, et les accélérations et freinages brusques lors de passage sur les voies publiques.
- Toujours circuler lentement et être extrêmement prudent lorsque vous circulez sur un terrain inconnu. Soyez toujours attentif aux conditions changeantes du terrain lorsque vous conduisez ce véhicule. Prenez le temps de bien apprendre comment se comporte votre véhicule dans différents environnements.
- Ne circulez jamais sur un terrain extrêmement accidenté, glissant ou meuble avant d'avoir appris et mis en pratique les compétences nécessaires pour contrôler ce véhicule sur un tel terrain. Soyez toujours particulièrement prudent sur ces types de terrain.
- Ne conduisez jamais ce véhicule sur des pentes trop abruptes pour le véhicule ou vos capacités. Pratiquez d'abord sur de petites pentes.
- Toujours suivre les procédures appropriées pour gravir ou descendre une colline. Ne jamais franchir le sommet d'une colline à grande vitesse.
- Ne jamais tenter de gravir des pentes abruptes ou traverser latéralement une pente lorsque vous tirez une remorque.
- Vérifiez toujours s'il y a des obstacles lorsque vous conduisez dans un nouveau secteur. Suivez toujours les procédures appropriées lorsque vous circulez par-dessus des arbres tombés ou autres obstacles.

SÉCURITÉ DE L'UTILISATEUR

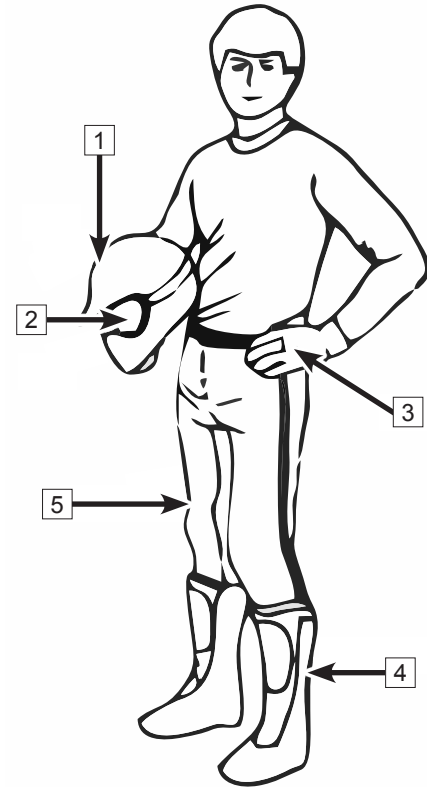
- Ne jamais circuler en eau profonde ou vive avec ce véhicule. N'oubliez pas que des freins mouillés peuvent voir leur capacité d'arrêt réduite. Vérifiez toujours vos freins en sortant de l'eau. Si nécessaire, appliquez-les plusieurs fois à basse vitesse pour permettre au frottement de les assécher.
- Veillez toujours à garer correctement le véhicule, sur le terrain le plus plat disponible. Placez le levier de vitesses à la position « PARK », arrêtez le moteur, et retirez la clé avant de quitter le véhicule.
- Ne présumez jamais que votre véhicule ira partout en toute sécurité. Des changements soudains de terrain causés par des trous, des talus, un sol plus mou ou plus dur ou d'autres irrégularités peuvent faire basculer ou devenir instable le véhicule. Pour éviter cela, ralentissez et observez toujours le terrain devant vous. Si le véhicule semble vouloir basculer ou se renverser, le meilleur conseil est de se diriger immédiatement dans la direction du renversement.
- N'essayez pas d'empêcher le retournement avec vos bras ou vos jambes. Gardez toujours les membres à l'intérieur de la cage ROPS.

SÉCURITÉ DE L'UTILISATEUR

Équipement de randonnée sécuritaire

Il est important de toujours porter des vêtements adaptés au type de randonnée. La conduite en VTT nécessite des vêtements de protection spéciaux pour le confort et pour réduire les risques de blessure :

1. Le casque est l'élément de protection le plus important pour votre sécurité. Un casque homologué peut protéger la tête et le cerveau d'une grave blessure.
2. Protection des yeux. Des lunettes de soleil ordinaires ne sont pas une protection suffisante pour les yeux. Une paire de lunettes de protection ou un casque avec visière offre une bien meilleure protection à vos yeux. La protection des yeux doit être bien entretenue et incassable.
3. Une paire de gants tout terrain avec coussinet aux jointures est idéal en matière de confort et de protection.
4. Le meilleur choix de chaussures est une paire de bottes mi-mollet avec talons, un peu comme des bottes de motocross.
5. Toujours porter des manches longues et un pantalon long pour protéger les bras et les jambes. Un pantalon de randonnée avec genouillère et un jersey avec épaulettes offriront la meilleure protection.

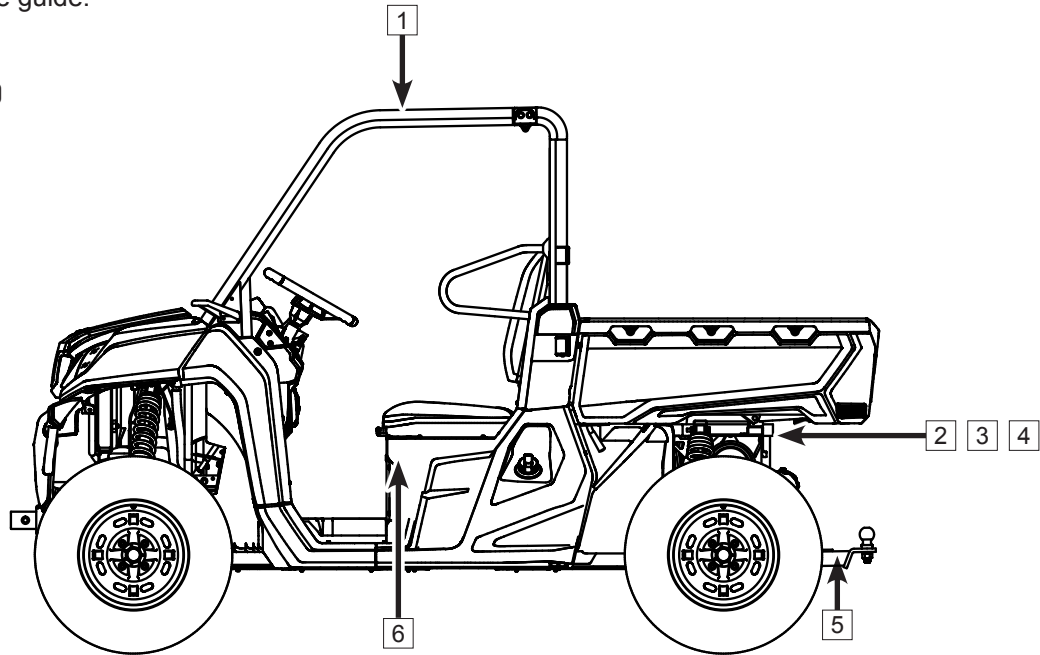


SÉCURITÉ DE L'UTILISATEUR

Étiquettes de sécurité, emplacements et avertissements

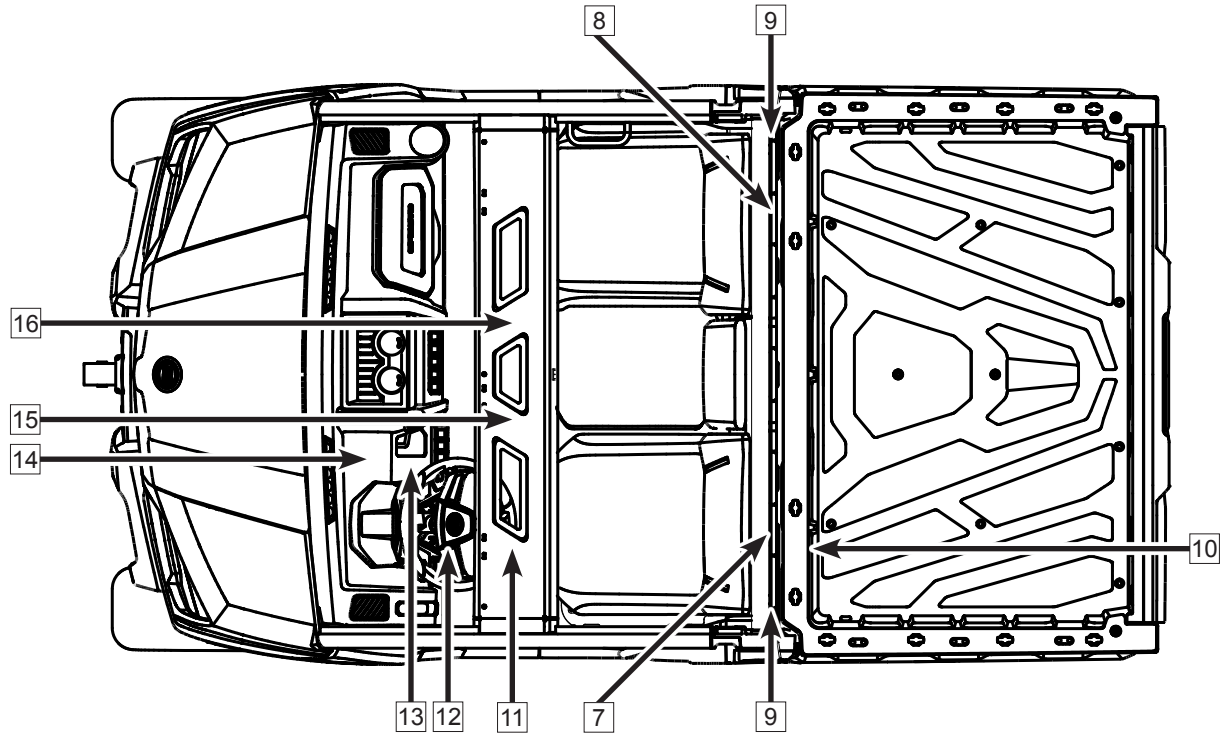
Des autocollants d'avertissement ont été placés sur le VTT pour votre protection. Lisez attentivement et suivez les instructions sur chaque autocollant. Si un autocollant devient illisible ou se détache, contactez votre concessionnaire pour vous en procurer un nouveau. Lisez et suivez les avertissements de sécurité contenus dans ce guide.

UFORCE 1000



SÉCURITÉ DE L'UTILISATEUR

Étiquettes de sécurité



SÉCURITÉ DE L'UTILISATEUR

Étiquettes de sécurité

1

Le ROPS répond aux exigences de performance d'ISO 3471:2008.
Modèle de véhicule : CF1000UZ-2
CF1000U-2
M = 1000 kg pour ISO 3471:2008

5HY1-90101-0001 US218

2

NOTICE

Check engine oil every 500 kilometers (310 miles)
 Vérifier le niveau d'huile moteur tous les 500 kilomètres (310 miles)

905B-190413-US13C

3

CFMOTO Powersports, Inc. certifies that this Recreational Off-Highway Vehicle complies with the current voluntary and applicable American National Standards for ANSI/ROHVA safety standards of the U.S. Consumer Product Safety Commission.

5HY0-190009-1 US189

← Applicable aux États-Unis seulement

4

WARNING

REMOVAL OF THIS MUFFLER IS A VIOLATION OF CLEAN AIR ACT § 203 AND CONSIDERED TAMPERING. VIOLATORS ARE SUBJECT TO A FEDERAL FINE OF UP TO \$37,500 PER OCCURRENCE.

9CR6-190204 US1311

↑ Applicable aux États-Unis.
 Toutefois, une législation environnemental similaire régit les véhicules circulant sur le territoire canadien et des amendes peuvent également s'appliquer.

5

AVERTISSEMENT

Le chargement incorrect d'une remorque peut provoquer une perte de contrôle du véhicule et causer des blessures graves ou la mort.

- Masse maximale de remorque non freinée 1146 lb (520 kg)
- Masse maximale sur la flèche de remorque non freinée 99 lb (45kg)

5HY0-190008 US184

6

AVERTISSEMENT

Une mauvaise pression des pneus ou une surcharge peut entraîner une perte de contrôle. La perte de contrôle peut entraîner des blessures graves ou la mort.

Pression des pneus à froid :

	3 OCCUPANTS	6 OCCUPANTS
FRONT	14 PSI (100kPa)	17 PSI (120kPa)
REAR	17 PSI (120kPa)	22 PSI (150kPa)

5HY0-190007 US184

SÉCURITÉ DE L'UTILISATEUR

Étiquettes de sécurité

9

AVERTISSEMENT



Gardez les mains, le corps et les personnes à bonne distance lorsque vous fermez la porte de la benne. Ne vous appuyez pas sur la carrosserie lorsque vous fermez la benne.

SHY0-190006 US17A

7

AVERTISSEMENT



Cette position correspond à l'écran filtrant de l'entrée CVT. Lorsque vous utilisez le véhicule, l'écran filtrant doit être vérifié; démontez et nettoyez si nécessaire, sinon la durée de vie de la courroie CVT sera affectée.

SHY0-190019 US182

8

AVERTISSEMENT



Cette position correspond à l'écran filtrant de l'entrée d'air. Lorsque vous utilisez le véhicule, l'écran filtrant doit être vérifié; démontez et nettoyez si nécessaire, sinon les performances du moteur seront affectées.

SHY0-190018 US182

12

SORTIE DE LA POIGNÉE DE CONTRÔLE DU TREUIL



SHY0-190021 US182

10

AVERTISSEMENT



Des **BLESSURES GRAVES** ou la **MORT** peuvent survenir si nous ne respectez pas les consignes suivantes :

- Charge maximale dans la boîte de chargement : 771 lb (350 kg).
- Ne transportez jamais de passagers dans la boîte de chargement.
- La cargaison peut affecter la manutention et la stabilité. Lisez le guide de l'utilisateur avant de charger ou de remorquer.
- Lorsque chargé de marchandise ou d'une remorque chargée : réduisez la vitesse et accordez-vous plus de distance de freinage. Évitez les collines et les terrains accidentés.
- Assurez-vous que toute cargaison est bien arrimée. Une charge non ou mal arrimée pourrait modifier de façon inattendue la maniabilité du véhicule.
- Dans la boîte de chargement, assurez-vous de maintenir la charge au centre, le plus bas et le plus à l'avant possible. Les charges lourdes et hautes augmentent le risque de renversement.

SHY0-190005 US184

14

AVERTISSEMENT



- Pour éviter des dommages à la transmission, embraquez seulement lorsque le véhicule est immobilisé et que le moteur tourne au ralenti.

COMMENCEZ PAR APPLIQUER LES FREINS

- Lorsque ce véhicule est inactif ou laissez sans surveillance, placez le levier de vitesse à la position de stationnement (P).
- Appliquez les freins et immobilisez le véhicule avant d'utiliser le levier de vitesse, le commutateur 2WD/4WD et le commutateur de verrouillage du différentiel.

• Utilisez la basse vitesse (Low) si la charge utile totale excède 584 lb (265 kg)

• La charge utile totale inclut l'opérateur, le passager, le chargement, les accessoires et la remorque

SHY0-190017 US184

13

11

AVERTISSEMENT

Une mauvaise utilisation des véhicules tout terrain peut provoquer des blessures graves, voire la mort. Soyez préparé :

- Attachez les ceintures de sécurité.
- Portez un casque homologué et un équipement de protection.
- Chaque passager doit être en mesure de s'asseoir bien adossés au siège, les pieds à plat sur le sol et les mains sur le volant ou les poignées.

Demeurez complètement à l'intérieur de l'habitacle du véhicule en tout temps.

Les renversements sont reconnus avoir causé des blessures graves et la mort, même sur des surfaces vastes et planes.

- Évitez les portes de contrôle et les renversements.
- Évitez les manœuvres brusques, les freinages brutaux, les dérapages ou les queues de poisson et ne jamais faire de bogues.
- Évitez les accélérations brusques lors des virages, même au décollage d'un arrêt.
- Ralentissez avant d'arrêter une courbe.
- Soyez préparé pour les collines, terrains accidentés, arêtes et autres changements de traction de terrain. Évitez les surfaces pavées.
- Évitez de traverser latéralement des pentes.

Lisez le guide de l'opérateur et les étiquettes de sécurité et regardez la vidéo de sécurité. Suivez toutes les instructions et avertissements

SHY0-190014 US184



Assurez-vous que les passagers sont attendus et prévus d'avance. Si vous pensez ou sentez que le véhicule pourrait basculer ou se renverser, réduisez vos risques de blessure :

- Agrippez fermement le volant ou les poignées et préparez-vous.
- Ne jamais sortir aucune partie de corps à l'extérieur de l'habitacle, pour quelque raison que ce soit.
- NE JAMAIS attacher le cage pour tirer une charge. Cela peut faire basculer le véhicule.

AVERTISSEMENT

Exigez une utilisation appropriée de votre véhicule.

Faites votre part pour éviter les blessures :

- Ne permettez pas une conduite négligente ou téméraire. Assurez-vous que les opérateurs ont 16 ans ou plus avec un permis de conduire valide.
- Ne laissez personne conduire ou monter après avoir consommé de l'alcool ou des drogues.

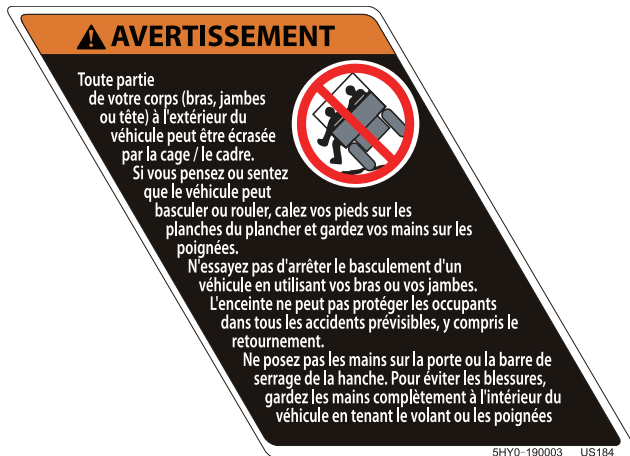


- Ne pas autoriser l'utilisation sur la voie publique - des collisions avec des voitures et des camions peuvent survenir.
 - Ne jamais conduire avec un passager âgé de moins de 12 ans. Tout passager doit être en mesure de s'asseoir avec le dos bien adossé au siège, les deux pieds à plat sur le sol et les deux mains sur le volant (si conducteur) ou sur une poignée de passager.
- SHY0-190002 US184

SÉCURITÉ DE L'UTILISATEUR

Étiquettes de sécurité

15

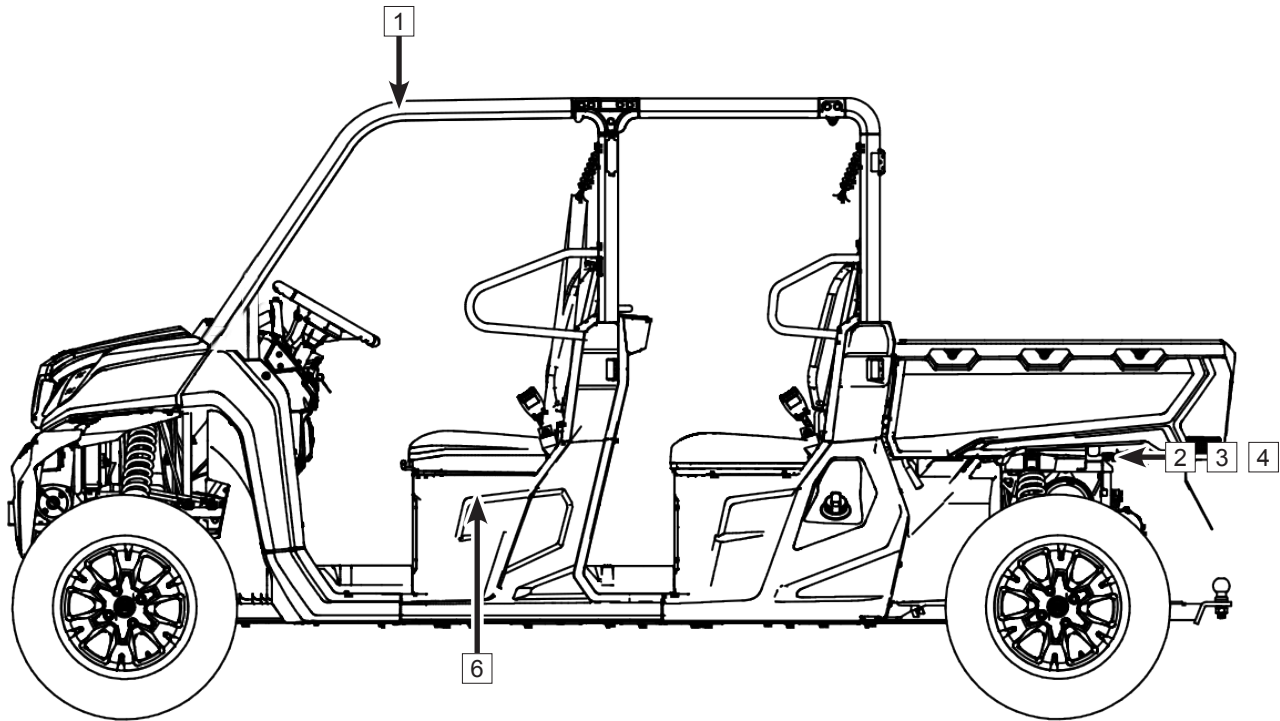


16

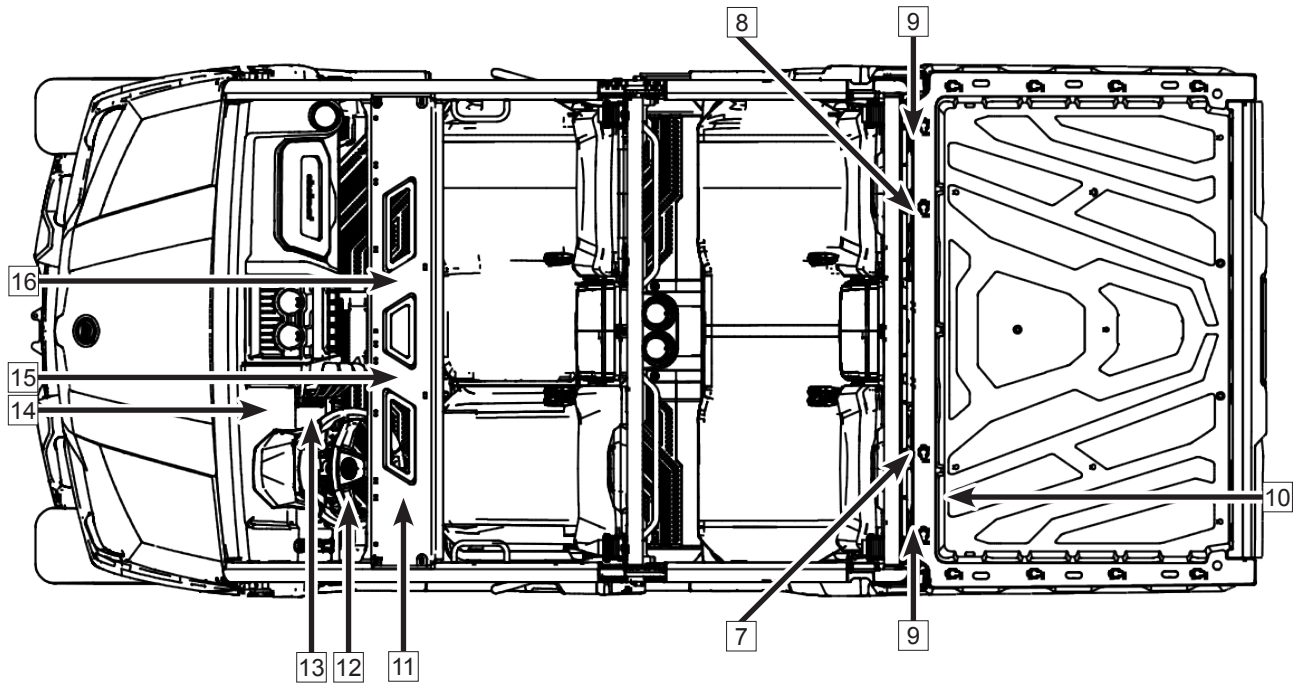


SÉCURITÉ DE L'UTILISATEUR

UFORCE 1000 LX



SÉCURITÉ DE L'UTILISATEUR



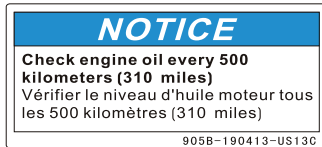
SÉCURITÉ DE L'UTILISATEUR

Étiquettes de sécurité

1



2



3



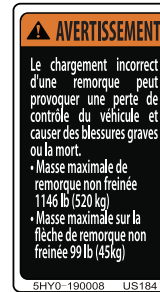
← Applicable aux États-Unis seulement

4



↗ Applicable aux États-Unis.
Toutefois, une législation environnemental similaire régit les véhicules circulant sur le territoire canadien et des amendes peuvent également s'appliquer.

5



6



Étiquettes de sécurité

9

AVERTISSEMENT



Gardez les mains, le corps et les personnes à bonne distance lorsque vous fermez la porte de la benne. Ne vous appuyez pas sur la carrosserie lorsque vous fermez la benne.

SHY0-190006 US17A

7

AVERTISSEMENT



Cette position correspond à l'écran filtrant de l'entrée CVT. Lorsque vous utilisez le véhicule, l'écran filtrant doit être vérifié, démonté et nettoyé si nécessaire, sinon la durée de vie de la courroie CVT sera affectée.

SHY0-190019 US182

8

AVERTISSEMENT



Cette position correspond à l'écran filtrant de l'entrée d'air. Lorsque vous utilisez le véhicule, l'écran filtrant doit être vérifié, démonté et nettoyé si nécessaire, sinon les performances du moteur seront affectées.

SHY0-190018 US182

12

SORTIE DE LA POIGNÉE DE CONTRÔLE DU TREUIL



SHY0-190021 US182

11

AVERTISSEMENT

Une mauvaise utilisation des véhicules tout terrain peut provoquer des blessures graves, voire la mort. Soyez préparé.

- Attachez les ceintures de sécurité.
- Portez un casque homologué et un équipement de protection.
- Chaque passager doit être en mesure de s'asseoir bien adossé au siège, les pieds à plat sur le sol et les mains sur le volant ou les poignées.
- Demeurez complètement à l'intérieur de l'habitacle du véhicule en tout temps.

Les renversements sont reconnus avoir causé des blessures graves et la mort, même sur des surfaces vastes et planes.

Évitez les pertes de contrôle et les renversements :

- Évitez les manœuvres brusques, les glissements latéraux, les évirages ou les roues de pousser et ne jamais faire de bêtises.
- Évitez les accélérations brusques hors des virages, même au démarrage d'un arrêt.
- Balaieuse avant d'entrer une courbe.
- Soyez préparés pour les collines, terrains accidentés, ombrés et autres changements de traction et de terrain. Évitez les surfaces pavées.
- Évitez de traverser rapidement des pentes.
- Lisez le guide de l'opérateur et les étiquettes de sécurité et regardez la vidéo de sécurité. Suivez toutes les instructions et avertissements.

Assurez-vous que les passagers sont attentifs et préviennent d'avance. Si vous pensez ou sentez que le véhicule pourrait basculer ou se renverser, réduisez vos risques de blessures.

- Appuyez fermement la volant ou les poignées et préparez-vous.
- Ne jamais sortir aucune partie de corps à l'extérieur de l'habitacle, pour quelque raison que ce soit.
- NE JAMAIS attacher à la cage pour tirer une charge. Cela peut faire basculer le véhicule.

SHY0-190005 US184

10

AVERTISSEMENT



Des BLESSURES GRAVES ou la MORT peuvent survenir si nous ne respectez pas les consignes suivantes :

- Charge maximale dans la boîte de chargement : 771 lb (350 kg).
- Ne transportez jamais de passagers dans la boîte de chargement.
- La cargaison peut affecter la manutention et la stabilité. Lisez le guide de l'utilisateur avant de charger ou de remorquer.
- Lorsque chargé de marchandise ou d'une remorque chargée : réduisez la vitesse et accordez-vous plus de distance de freinage. Évitez les collines et les terrains accidentés.
- Assurez-vous que toute cargaison est bien arrimée. Une charge non ou mal arrimée pourrait modifier de façon inattendue la maniabilité du véhicule.
- Dans la boîte de chargement, assurez-vous de maintenir la charge au centre, le plus bas et le plus à l'avant possible. Les charges lourdes et hautes augmentent le risque de renversement.

SHY0-190005 US184

14

AVERTISSEMENT

R
N
H
L

- Pour éviter des dommages à la transmission, embraquez seulement lorsque le véhicule est immobilisé et que le moteur tourne au ralenti.
- COMMENCEZ PAR APPLIQUER LES FREINS
- Lorsque ce véhicule est inactif ou laissez sans surveillance, placez le levier de vitesse à la position de stationnement (P).
- Appliquez les freins et immobilisez le véhicule avant d'utiliser le levier de vitesse, le commutateur 2WD/4WD et le commutateur de verrouillage du différentiel.

- Utilisez la basse vitesse (Low) si la charge utile totale excède 584 lb (265 kg)
- La charge utile totale inclut l'opérateur, le passager, le chargement, les accessoires et la remorque

SHY0-190017 US184

13

AVERTISSEMENT

Exigez une utilisation appropriée de votre véhicule. Faites votre part pour éviter les blessures:

- Ne permettez pas une conduite négligente ou téméraire. Assurez-vous que les opérateurs ont 16 ans ou plus avec un permis de conduire valide.
- Ne laissez personne conduire ou monter après avoir consommé de l'alcool ou des drogues.
- Ne pas autoriser l'utilisation sur la voie publique - des collisions avec des voitures et des camions peuvent survenir.
- Ne jamais conduire avec un passager âgé de moins de 12 ans. Tout passager doit être en mesure de s'asseoir avec le dos bien adossé au siège, les deux pieds à plat sur le sol et les deux mains sur le volant (si conducteur) ou sur une poignée de passager.

DRIVER UNDER 16

SHY0-190005 US184

SÉCURITÉ DE L'UTILISATEUR

Étiquettes de sécurité

15


⚠ AVERTISSEMENT

Toute partie de votre corps (bras, jambes ou tête) à l'extérieur du véhicule peut être écrasée par la cage / le cadre.

Si vous pensez ou sentez que le véhicule peut basculer ou rouler, calez vos pieds sur les planches du plancher et gardez vos mains sur les poignées.

N'essayez pas d'arrêter le basculement d'un véhicule en utilisant vos bras ou vos jambes. L'enceinte ne peut pas protéger les occupants dans tous les accidents prévisibles, y compris le retournement.

Ne posez pas les mains sur la porte ou la barre de serrage de la hanche. Pour éviter les blessures, gardez les mains complètement à l'intérieur du véhicule en tenant le volant ou les poignées



5HY0-190003 US184

16

⚠ AVERTISSEMENT

Toute partie de votre corps (bras, jambes ou tête) à l'extérieur du véhicule peut être écrasée par la cage / le cadre.

Si vous pensez ou sentez que le véhicule peut basculer ou rouler, calez vos pieds sur les planches du plancher et gardez vos mains sur les poignées.

N'essayez pas d'arrêter le basculement d'un véhicule en utilisant vos bras ou vos jambes. L'enceinte ne peut pas protéger les occupants dans tous les accidents prévisibles, y compris le retournement.

Ne posez pas les mains sur la porte ou la barre de serrage de la hanche. Pour éviter les blessures, gardez les mains complètement à l'intérieur du véhicule en tenant le volant ou les poignées



5HY0-190004 US184

SÉCURITÉ DE L'UTILISATEUR

Avertissements de danger

 AVERTISSEMENT

DANGER POTENTIEL :

Utiliser ce côté à côté sans instructions appropriées.

CE QUI PEUT SE PRODUIRE :

Le risque d'accident est considérablement accru si l'opérateur ne sait pas comment conduire correctement le côté à côté dans différentes situations et sur différents types de terrain.

COMMENT ÉVITER CE DANGER :

Les opérateurs débutants et inexpérimentés doivent suivre une formation certifiée offerte par un concessionnaire autorisé. Les opérateurs devraient pratiquer régulièrement les compétences acquises lors de cette formation et les techniques de conduite décrites dans le Guide de l'utilisateur.

SÉCURITÉ DE L'UTILISATEUR

AVERTISSEMENT

DANGER POTENTIEL :

Ne pas respecter les recommandations d'âge pour ce véhicule.

CE QUI PEUT SE PRODUIRE :

Des blessures graves, voire mortelles, peuvent survenir si un enfant en deçà de l'âge minimal recommandé utilise ce véhicule. Même si un enfant se trouve dans la tranche d'âge recommandée pour conduire un côté à côté, il pourrait ne pas avoir la compétence, la capacité ou le jugement pour le conduire en toute sécurité et pourrait être susceptible d'avoir un accident ou de se blesser.

COMMENT ÉVITER CE DANGER :

La conduite d'un VTT est interdite à toute personne de moins de 16 ans.

SÉCURITÉ DE L'UTILISATEUR

AVERTISSEMENT

DANGER POTENTIEL :

Transporter passagers que la capacité du véhicule.

CE QUI PEUT SE PRODUIRE :

Un passager qui n'est pas assis dans le véhicule pourrait être éjecté de manière inattendue ou entrer en contact avec des composantes en mouvement, ce qui peut causer des blessures graves voire la mort.

COMMENT ÉVITER CE DANGER :

Ne jamais permettre le transport de plus de passagers que la capacité de sièges du véhicules.

SÉCURITÉ DE L'UTILISATEUR

AVERTISSEMENT

DANGER POTENTIEL :

Utiliser ce côté à côté sur des surfaces pavées telles que des trottoirs, des sentiers, des stationnements ou des voies publiques (rues et autoroutes).

CE QUI PEUT SE PRODUIRE :

Les pneus de ce côté à côté sont conçus pour une utilisation tout terrain. Leur utilisation sur des surfaces pavées peut donc affecter considérablement la façon dont le véhicule se comporte, ce qui pourrait entraîner une perte de contrôle et/ou un accident.

COMMENT ÉVITER CE DANGER :

Ne jamais conduire ce côté à côté sur des surfaces pavées. Si c'est inévitable, ralentissez et évitez les manœuvres brusques de virage ou freinage. Ne jamais conduire le véhicule sur la voie publique si c'est proscrit par la loi. Vérifiez la réglementation locale pour déterminer s'il est légal ou non de le faire.

SÉCURITÉ DE L'UTILISATEUR

AVERTISSEMENT

DANGER POTENTIEL :

Conduire ce côté à côté sans le port d'un casque de protection homologué ainsi que l'équipement de protection oculaire et vêtements de protection.

CE QUI PEUT SE PRODUIRE :

Conduire un côté à côté sans casque homologué augmente le risque de blessure grave à la tête ou de décès en cas d'accident. La conduite sans protection oculaire augmente le risque d'accident ou de blessure grave aux yeux en cas d'accident. La conduite sans vêtements de protection augmente le risque de blessure grave en cas d'accident.

COMMENT ÉVITER CE DANGER :

Ne jamais conduire un côté à côté sans porter un casque homologué et bien ajusté. Toujours porter une protection oculaire (lunettes ou écran facial), des gants, des bottes, une chemise ou une veste à manches longues, un pantalon long.

SÉCURITÉ DE L'UTILISATEUR

AVERTISSEMENT

DANGER POTENTIEL :

Conduire un côté à côté après avoir consommé de l'alcool ou des drogues.

CE QUI PEUT SE PRODUIRE :

La consommation d'alcool et/ou de drogues avant et/ou pendant la conduite d'un côté à côté pourrait entraîner un accident causant des blessures graves, voire mortelles.

COMMENT ÉVITER CE DANGER :

Ne jamais consommer d'alcool et/ou de drogues avant et/ou pendant la conduite d'un côté à côté.



SÉCURITÉ DE L'UTILISATEUR

AVERTISSEMENT

DANGER POTENTIEL :

Conduire un côte à côte à une vitesse excessive.

CE QUI PEUT SE PRODUIRE :

La vitesse excessive augmente les risques de perte de contrôle du véhicule et par le fait même, les risques d'accident.

COMMENT ÉVITER CE DANGER :

Toujours circuler à une vitesse appropriée pour le terrain, la visibilité, les conditions et votre expérience.

SÉCURITÉ DE L'UTILISATEUR

AVERTISSEMENT

DANGER POTENTIEL :

Tenter d'effectuer des glissades, de faire des sauts et autres cascades.

CE QUI PEUT SE PRODUIRE :

Tenter d'effectuer des cascades augmente les risques d'accident, incluant un renversement.

COMMENT ÉVITER CE DANGER :

Ne jamais tenter d'effectuer des glissades, de faire des sauts et autres cascades.

SÉCURITÉ DE L'UTILISATEUR

AVERTISSEMENT

DANGER POTENTIEL :

Omettre d'inspecter le véhicule avant utilisation. Défaut de bien l'entretenir.

CE QUI PEUT SE PRODUIRE :

Un mauvais entretien augmente les risques d'accident ou de dommages matériels.

COMMENT ÉVITER CE DANGER :

Toujours suivre les procédures et calendriers d'inspection et d'entretien décrits dans le Guide de l'utilisateur.

SÉCURITÉ DE L'UTILISATEUR

AVERTISSEMENT

DANGER POTENTIEL :

Étendre les bras, les mains ou les jambes à l'extérieur des barres ROPS du véhicule pendant qu'il roule.

CE QUI PEUT SE PRODUIRE :

Des blessures graves aux bras, aux mains ou aux jambes peuvent survenir si le véhicule se renverse ou bascule lors d'un accident.

COMMENT ÉVITER CE DANGER :

Toujours garder les bras, les mains ou les jambes à l'intérieur du véhicule, les mains sur le volant ou la poignée et les deux pieds sur les repose-pieds du véhicule pendant qu'il roule.

OPERATOR SAFETY

AVERTISSEMENT

DANGER POTENTIEL :

Ne pas redoubler de prudence lors de l'utilisation du côté à côté sur un terrain inconnu.

CE QUI PEUT SE PRODUIRE :

Un terrain inconnu peut contenir des roches, des bosses ou des trous cachés qui pourraient entraîner une perte de contrôle ou un renversement du véhicule.

COMMENT ÉVITER CE DANGER :

Toujours circuler lentement et redoubler de prudence lors de la conduite sur terrain inconnu. Soyez attentif aux conditions du terrain.

OPERATOR SAFETY

AVERTISSEMENT

DANGER POTENTIEL :

Virage inadéquat.

CE QUI PEUT SE PRODUIRE :

Un virage inadéquat peut entraîner la perte de contrôle du véhicule et mener à un accident ou un renversement du véhicule.

COMMENT ÉVITER CE DANGER :

Toujours suivre les procédures appropriées de virage telles que décrites dans ce guide. Exercez-vous à effectuer les virages à basse vitesse avant de les tenter à plus grande vitesse. Ne jamais effectuer les virages à des vitesses excessives.

SÉCURITÉ DE L'UTILISATEUR

AVERTISSEMENT

DANGER POTENTIEL :

Ne pas redoubler de prudence lors de l'utilisation du VTT sur un terrain excessivement accidenté, glissant ou mou.

CE QUI PEUT SE PRODUIRE :

La conduite d'un côte à côte sur un terrain excessivement accidenté, glissant ou mou pourrait causer une perte de traction ou de contrôle, qui pourrait entraîner un accident ou un renversement du véhicule.

COMMENT ÉVITER CE DANGER :

Ne pas conduire sur un terrain excessivement accidenté, glissant ou lâche tant que vous n'avez pas acquis et pratiquer les compétences nécessaires au contrôle du véhicule sur un tel terrain. Soyez toujours extrêmement vigilant lors de la conduite d'un côte à côte sur ce type de terrains.

SÉCURITÉ DE L'UTILISATEUR

AVERTISSEMENT

DANGER POTENTIEL :

Gravir incorrectement des pentes ou gravir des pentes excessivement abruptes.

CE QUI PEUT SE PRODUIRE :

Gravir incorrectement une pente peut entraîner une perte de contrôle ou un renversement du véhicule.

COMMENT ÉVITER CE DANGER :

Ne jamais conduire sur des pentes trop abruptes pour le véhicule ou pour vos capacités. Pratiquez sur des pentes modérées avant de tenter la conduite sur des pentes plus abruptes. Toujours vérifier soigneusement le terrain avant de gravir une pente. Ne jamais gravir des pentes à la surface excessivement glissante ou instable. Ne jamais effectuer d'accélération brusques en gravissant une pente, le véhicule pourrait basculer en arrière. Ne jamais franchir le sommet d'une colline à haute vitesse. Un obstacle, une falaise ou un autre véhicule, ou une personne pourrait se trouver de l'autre côté.

SÉCURITÉ DE L'UTILISATEUR

AVERTISSEMENT

DANGER POTENTIEL :

Descendre des pentes excessivement abruptes.

CE QUI PEUT SE PRODUIRE :

Descendre incorrectement une pente peut entraîner une perte de contrôle ou un renversement du véhicule.

COMMENT ÉVITER CE DANGER :

Ne jamais conduire sur des pentes trop abruptes pour vos capacités. Pratiquez sur des pentes modérées avant de tenter la conduite sur des pentes plus abruptes. Toujours vérifier soigneusement le terrain avant d'entamer la descente d'une pente. Ne descendez jamais une pente dont le terrain est trop glissant ou mou.

REMARQUE

Vérifiez toujours soigneusement le terrain avant de descendre une colline. Ne descendez jamais une colline à haute vitesse. Évitez de descendre une colline en biais. Descendez toujours en ligne droite lorsque possible.

SÉCURITÉ DE L'UTILISATEUR

AVERTISSEMENT

DANGER POTENTIEL :

Descendre une pente ou y effectuer des virages de façon inadéquate.

CE QUI PEUT SE PRODUIRE :

Descendre une pente ou y effectuer des virages de façon inadéquate peut entraîner une perte de contrôle ou un renversement du véhicule.

COMMENT ÉVITER CE DANGER :

Ne jamais tenter un virage en pente tant que vous n'avez pas maîtrisé la technique sur terrain plat décrite dans ce guide. Redoublez de prudence lorsque vous devez effectuer un virage dans une pente et évitez de traverser le flanc d'une colline escarpée.

LORS D'UNE TRAVERSÉE À FLANC DE COLLINE :

Toujours suivre les procédures décrites dans le Guide de l'utilisateur. Évitez les pentes trop glissantes ou les surfaces molles et déplacez votre poids vers le côté montant du côté à côté pendant la descente.

SÉCURITÉ DE L'UTILISATEUR

AVERTISSEMENT

DANGER POTENTIEL :

Descendre une pente ou y effectuer des virages de façon inadéquate.

CE QUI PEUT SE PRODUIRE :

Descendre une pente ou y effectuer des virages de façon inadéquate peut entraîner une perte de contrôle ou un renversement du véhicule.

COMMENT ÉVITER CE DANGER :

Ne jamais tenter un virage en pente tant que vous n'avez pas maîtrisé la technique sur terrain plat décrite dans ce guide. Redoublez de prudence lorsque vous devez effectuer un virage dans une pente et évitez de traverser le flanc d'une colline escarpée.

LORS D'UNE TRAVERSÉE À FLANC DE COLLINE :

Toujours suivre les procédures décrites dans le Guide de l'utilisateur. Évitez les pentes trop glissantes ou les surfaces lâches et déplacez votre poids vers le côté montant du VTT pendant la descente.

SÉCURITÉ DE L'UTILISATEUR

AVERTISSEMENT

DANGER POTENTIEL :

Caler et rouler à reculons lors de l'ascension d'une pente.

CE QUI PEUT SE PRODUIRE :

Le véhicule pourrait se renverser.

COMMENT ÉVITER CE DANGER :

Maintenez une vitesse constante tout au long de l'ascension.

SI TOUTE LA VITESSE EST PERDUE :

Relâchez l'accélérateur. Appliquez le frein. À l'arrêt complet, placez le sélecteur de vitesse en position stationnement.

SI LE VÉHICULE COMMENCE À ROULER À RECOLONS :

Maintenez votre poids à l'avant du véhicule. N'appliquez jamais de puissance motrice et n'appliquez jamais la pédale de frein lorsque vous roulez à reculons, appliquez seulement le frein avant. Lorsque le véhicule arrive à un arrêt complet, vous pouvez appliquer la pédale de frein puis placer le sélecteur de vitesse à la position « 'Park ». Descendez du véhicule du côté montant, ou de l'un ou l'autre des côtés si la direction du VTT pointe directement vers le haut de la colline. Tournez ensuite le VTT et remontez sur le véhicule selon la procédure décrite dans ce Guide de l'utilisateur.

SÉCURITÉ DE L'UTILISATEUR

AVERTISSEMENT

DANGER POTENTIEL :

Franchir inadéquatement des obstacles.

CE QUI PEUT SE PRODUIRE :

Franchir inadéquatement des obstacles peut entraîner une perte de contrôle ou un renversement du véhicule.

COMMENT ÉVITER CE DANGER :

Toujours vérifier la présence d'obstacles avant de circuler dans un nouveau secteur. Lorsque possible, évitez de franchir de grands obstacles tels que des rochers ou des arbres tombés. Sinon, pour franchir des obstacles, toujours suivre les procédures appropriées décrites dans le Guide de l'utilisateur.

SÉCURITÉ DE L'UTILISATEUR

AVERTISSEMENT

DANGER POTENTIEL :

Déraper ou glisser.

CE QUI PEUT SE PRODUIRE :

Déraper ou glisser peut entraîner une perte de contrôle du véhicule. Si les pneus retrouvent soudainement leur traction, le VTT pourrait se renverser.

COMMENT ÉVITER CE DANGER :

Sur des surfaces glissantes comme la glace, circulez lentement et redoublez de prudence afin de réduire les risques de perte de contrôle.

SÉCURITÉ DE L'UTILISATEUR

AVERTISSEMENT

DANGER POTENTIEL :

Surcharge du VTT ou transport/remorquage inadéquat de marchandise.

CE QUI PEUT SE PRODUIRE :

La surcharge et le remorquage de charge modifient le comportement du véhicule ce qui peut entraîner une perte de contrôle du véhicule ou un accident.

COMMENT ÉVITER CE DANGER :

Ne jamais dépasser la capacité de charge maximale de ce côté à côté, et vous assurer que la charge est correctement répartie et sécuriser. Assurez-vous de réduire votre vitesse et considérez une plus grande distance de freinage. Toujours suivre les instructions du Guide de l'utilisateur pour le transport ou le remorquage de marchandise.

SÉCURITÉ DE L'UTILISATEUR

AVERTISSEMENT

DANGER POTENTIEL :

Conduire le véhicule dans des eaux profondes ou à débit rapide.

CE QUI PEUT SE PRODUIRE :

Les pneus pourraient flotter causant ainsi une perte de traction et de contrôle qui pourrait entraîner un accident ou un renversement du véhicule.

COMMENT ÉVITER CE DANGER :

Évitez de conduire le côte à côte dans des eaux profondes ou à débit rapide. S'il est inévitable de circuler dans des eaux qui excèdent la profondeur maximale recommandée, circulez lentement, équilibrez soigneusement votre poids, évitez les mouvements brusques et maintenez un rythme d'avancement lent et régulier. Évitez les virages ou arrêts brusques ainsi que les accélérations brusques. Les freins mouillés peuvent voir leur capacité de freinage réduite. Vérifiez vos freins une fois sortis de l'eau. Si nécessaire, appliquez légèrement les freins de façon répétitive afin de permettre au frottement de les assécher.

SÉCURITÉ DE L'UTILISATEUR

AVERTISSEMENT

DANGER POTENTIEL :

Utilisation inadéquate de la marche arrière.

CE QUI PEUT SE PRODUIRE :

Le véhicule pourrait entrer en collision avec un obstacle ou une personne, causant ainsi de graves blessures.

COMMENT ÉVITER CE DANGER :

Avant de faire marche arrière, toujours vérifier la présence d'obstacles ou de personnes derrière le côté à côté. Lorsqu'il est sécuritaire de faire marche arrière, reculez lentement.

SÉCURITÉ DE L'UTILISATEUR

AVERTISSEMENT

DANGER POTENTIEL :

Conduire ce VTT avec des pneus inadéquats ou avec des pneus dont la pression est inégale ou inadéquate.

CE QUI PEUT SE PRODUIRE :

L'utilisation de pneus inadéquats, ou la conduite d'un VTT dont les pneus ont une pression inégale ou inadéquate peut entraîner une perte de contrôle ou un accident.

COMMENT ÉVITER CE DANGER :

Assurez-vous de toujours utiliser la taille et le type de pneu spécifiés pour votre VTT et assurez-vous de toujours maintenir une pression adéquate dans vos pneus.

SÉCURITÉ DE L'UTILISATEUR

AVERTISSEMENT

DANGER POTENTIEL :

Conduire un côté à côté inadéquatement modifié.

CE QUI PEUT SE PRODUIRE :

Une mauvaise installation des accessoires ou une modification du véhicule peut entraîner des changements dans sa maniabilité sur la route et ainsi entraîner un accident.

COMMENT ÉVITER CE DANGER :

Ne jamais modifier un côté à côté par une installation ou utilisation inadéquate des accessoires. Toute pièce ou tout accessoire ajouté au véhicule doit être d'origine, ou un composant équivalent conçu pour être utilisé sur ce véhicule et doit être installé et utilisé conformément aux instructions approuvées. Pour de plus amples informations, consultez votre concessionnaire.

SÉCURITÉ DE L'UTILISATEUR

AVERTISSEMENT

DANGER POTENTIEL :

Conduire le côté à côté sur un plan d'eau gelé.

CE QUI PEUT SE PRODUIRE :

Si le véhicule ou le conducteur tombe à travers la glace, cela peut occasionner des blessures graves, voire mortelles.

COMMENT ÉVITER CE DANGER :

Assurez-vous de toujours utiliser la taille et le type de pneu spécifiés pour votre véhicule et assurez-vous de ne jamais le conduire sur un plan d'eau gelé.

SÉCURITÉ DE L'UTILISATEUR

AVERTISSEMENT

Laisser les clés dans le contact peut entraîner une utilisation non autorisée du véhicule qui pourrait occasionner blessures ou décès. Retirer toujours la clé du contact lorsque le véhicule n'est pas utilisé.

AVERTISSEMENT

Après tout renversement ou accident, demandez au technicien de service qualifié de votre concessionnaire autorisé, d'effectuer une vérification de l'ensemble du véhicule pour détecter d'éventuels dommages y compris, mais non limité à, l'accélérateur, les freins et les systèmes de direction.

AVERTISSEMENT

La conduite sécuritaire de ce véhicule à conducteur actif nécessite un bon jugement et des compétences physiques. Les personnes atteintes de troubles cognitifs ou de handicaps physiques qui conduisent ce véhicule présentent un risque accru de renversement et de perte de contrôle pouvant entraîner des blessures graves, voire mortelles.

AVERTISSEMENT

Les composants du système d'échappement sont très chauds pendant et après l'utilisation du véhicule. Les composants chauds peuvent provoquer des incendies ou de graves brûlures. Évitez de toucher aux composants chauds du système d'échappement. Tenir tout matériel combustible loin du système d'échappement en tout temps. Soyez vigilant lorsque vous circulez à travers des prairies à herbes hautes, surtout lorsque l'herbe est sèche.

CARACTÉRISTIQUES ET COMMANDES

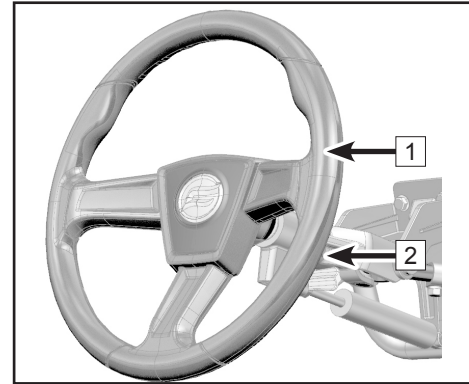
Commandes principales

Volant - 1

Le volant est situé devant le siège du conducteur.

Levier d'inclinaison - 2

Une fonction de levier d'inclinaison permet de régler le volant pour s'adapter à l'opérateur. Tirez sur le levier et ajustez l'angle d'inclinaison du volant pour plus de confort. Poussez sur le levier pour verrouiller l'angle d'inclinaison du volant.

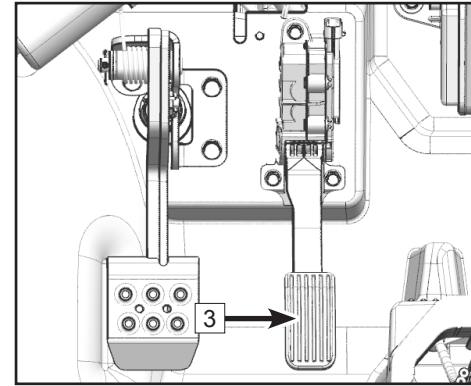


CARACTÉRISTIQUES ET COMMANDES

Pédale d'accélérateur électronique - 3

La pédale d'accélérateur est située à la droite de la pédale de frein. La pédale d'accélérateur contrôle le régime du moteur et la vitesse du véhicule. Pour contrôler la vitesse du véhicule, appuyez sur la pédale d'accélérateur avec votre pied droit. Vérifiez toujours le fonctionnement de la pédale avant de conduire. L'accélérateur électronique et le corps de papillon électronique possèdent les caractéristiques suivantes :

1. Fonction de protection de démarrage : le véhicule peut démarrer directement sur les engrenages N et P, et la pédale de frein devrait être appliquée en même temps lorsqu'il est sur l'engrenage L ou H.
2. Fonction de neutralisation de la marche arrière : la vitesse du véhicule est limitée à 25 km/h lorsqu'il est en marche arrière.
3. Fonction 4WD-LOCK : tournez l'interrupteur en mode 4WD-LOCK, la vitesse du véhicule est limitée à 35 km/h. Appuyer sur le commutateur de neutralisation peut annuler la limitation de vitesse.
4. Fonction de ralenti : lorsque le véhicule est en vitesse N, le régime moteur est limité à 5000 tr/min.
5. Fonction de priorité de frein : lorsque le conducteur applique à la fois la pédale de frein et la pédale d'accélérateur, l'accélérateur électronique arrête la puissance moteur et revient automatiquement au ralenti.
6. Fonction de ralentissement à la maison : lorsqu'un défaut du corps de papillon électronique ou de la pédale d'accélérateur électronique est détecté, le système entrera en mode de limitation de couple ou de démarrage sans ralentissement. Lorsque les défauts de l'accélérateur électronique corps, le moteur entrera en limitation de couple et le régime reviendra à l'état de ralenti. Lorsque les défauts proviennent de la pédale d'accélérateur électronique, le véhicule entrera en mode de démarrage sans ralentissement, le régime moteur maximal sera inférieur à 5000 tr/min.



CARACTÉRISTIQUES ET COMMANDES

Pédale de frein - 4

La pédale de frein est située à gauche de la pédale d'accélérateur. Relâchez la pédale d'accélérateur et appuyez sur la pédale de frein avec votre pied pour ralentir ou arrêter le véhicule.

Levier de chargement de vitesses - 5

Le levier de changement de vitesses est situé à droite du siège du conducteur. Le levier de changement de vitesses est utilisé pour modifier la sélection du rapport de transmission :

Pour votre sécurité, appuyez sur la pédale de frein avant de changer de vitesse.

L – Basse vitesse Il s'agit de la plage de basse vitesse de la boîte de vitesses. Cela permet au véhicule de se déplacer lentement avec un couple maximal aux roues.

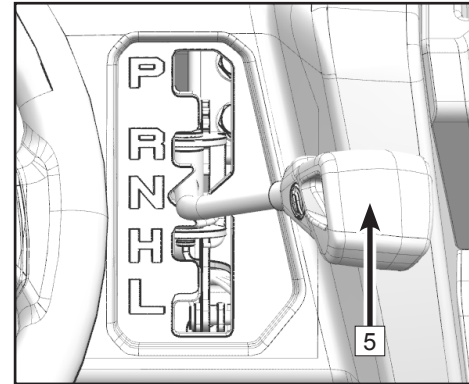
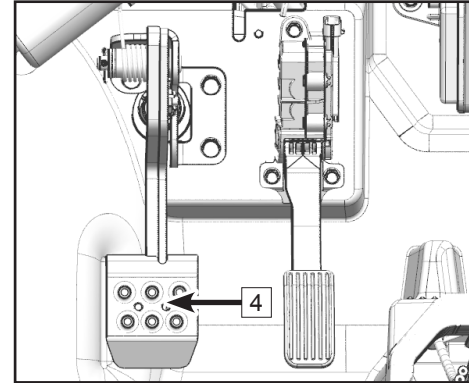
ATTENTION : Pour éviter d'endommager le système CVT, utilisez toujours la basse vitesse pour circuler à basse vitesse de façon constante, pour tirer une remorque, transporter des marchandises lourdes, franchir des obstacles ou monter et descendre des collines.

H – Haute vitesse Il s'agit de la plage de haute vitesse de la boîte de vitesses. Elle constitue la plage de vitesse de conduite normale. Elle permet au véhicule d'atteindre sa vitesse maximum.

N – Neutre En position neutre, la prise de force du moteur est débrayée.

R - Marche arrière La position de marche arrière permet au véhicule de circuler à reculons.

P - Stationnement La position de stationnement verrouille la boîte de vitesses pour empêcher tout mouvement du véhicule.



CARACTÉRISTIQUES ET COMMANDES

REMARQUE

En marche arrière, le régime du moteur est limité, limitant ainsi la vitesse de marche arrière du véhicule à moins de 15,5 mi/h (25 km/h).

 **AVERTISSEMENT**

Soyez extrêmement prudent lorsque vous descendez en marche arrière. La gravité peut augmenter la vitesse du véhicule au-dessus de la vitesse de marche arrière limitée définie.

 **AVERTISSEMENT**

Passez toujours en position STATIONNEMENT (P) lorsque le véhicule n'est pas en marche. Le véhicule peut rouler si le levier de vitesses n'est pas réglé sur « P ». Utilisez toujours le frein à main auxiliaire comme mesure de précaution supplémentaire pour empêcher le véhicule de bouger.

CARACTÉRISTIQUES ET COMMANDES

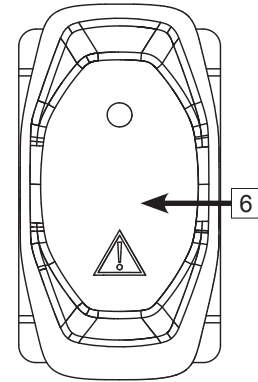
Commandes secondaires

Commutateur de neutralisation de la limite de vitesse - 6

Le moteur est habituellement limité lorsqu'il fonctionne en 4WD-LOCK. Si les conditions requièrent plus de puissance du moteur en 4WD-LOCK :

- Relâchez l'accélérateur et appuyez sur ce commutateur pour neutraliser la limitation de vitesse. Pendant que ce bouton est enfoncé, le voyant de neutralisation s'allumera.
- Continuez d'appuyer sur le commutateur, puis réappliquez l'accélérateur. Le moteur aura sa pleine puissance.
- Relâcher ce bouton rétablit la fonction de limitation de vitesse.

NOTE: Le commutateur de neutralisation n'est pas disponible en 2WD.



AVERTISSEMENT

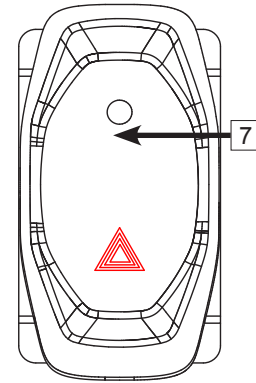
Le fait d'appuyer sur le commutateur de neutralisation alors que l'accélérateur est ouvert en mode de limitation de vitesse peut provoquer une accélération soudaine, entraînant une perte de contrôle, des blessures graves ou la mort. Relâchez toujours l'accélérateur avant d'appuyer sur le commutateur de neutralisation.

CARACTÉRISTIQUES ET COMMANDES

Commutateur de feux de détresse - 7

(si équipé, dans certains pays seulement)




Lors de l'utilisation de la fonction de contacteur de danger, les clignotants avant et arrière clignotent. De plus, le témoin de l'interrupteur de détresse du tableau de bord s'allumera.

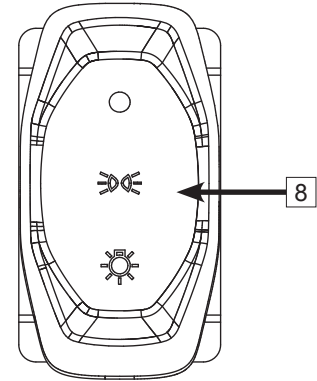


CARACTÉRISTIQUES ET COMMANDES



Interrupteur d'éclairage principal - 8

L'interrupteur d'éclairage principal se compose de 3 positions. Placez le commutateur à la position désirée pour sélectionner les fonctions suivantes :

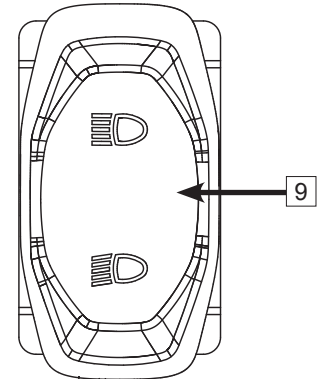
	Les phares, les feux de position, les feux arrière et les l'éclairage du tableau de bord sont allumés lorsque l'interrupteur est dans cette position.
	Feux de jour, les feux arrière et les deux de position avant sont éteints lorsque l'interrupteur est dans cette position.
	Seuls les feux de jour sont allumés lorsque l'interrupteur est dans cette position, tous les autres feux sont éteints.



Feux de croisement / Feux de route - 10

	Les feux de route sont activés lorsque le commutateur est dans cette position.
	Les feux de croisement sont activés lorsque le commutateur est dans cette position.

NOTE: La clé de contact doit être tournée à la position « ON » avant d'actionner les phares.



ATTENTION

N'utilisez pas les phares avec le moteur éteint pendant plus de 15 minutes. La batterie peut se décharger à un point tel que le démarrage du moteur ne fonctionnera pas correctement. Si cela se produit, retirez la batterie et rechargez-la.

CARACTÉRISTIQUES ET COMMANDES

Commutateur de klaxon - 10

Appuyez sur ce commutateur, le klaxon retentira.

Commutateur arrêt - 11

Lorsque vous appuyez sur le commutateur d'arrêt, l'ECU, l'injecteur de carburant, la bobine d'allumage, la pompe à carburant et le système de démarrage cessent de fonctionner.

Commutateur 2WD / 4WD - 12

Ce véhicule est muni d'un commutateur de commande « 2WD » / « 4WD » et de blocage du différentiel avant « LOCK » / « 4WD » sur le côté gauche du tableau de bord. Sélectionnez le mode de conduite approprié en fonction du terrain et des conditions :

Deux roues motrices (2WD) :

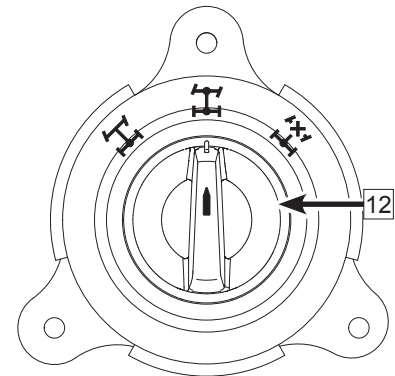
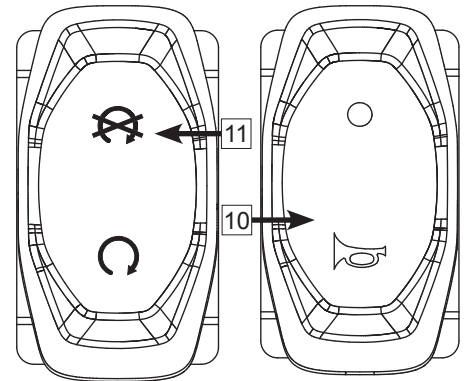
l'alimentation est fournie uniquement aux roues arrière.

Quatre roues motrices (4WD) :

la puissance est fournie aux roues arrière et aux roues avant.

Quatre roues motrices avec blocage du différentiel (4WD-LOCK) :

l'alimentation est fournie aux roues arrière et avant et le différentiel avant est bloqué. Contrairement au mode 4WD, toutes les roues tournent à la même vitesse. La vitesse est limitée à 22 mi/h (35 km/h).





ATTENTION


Le véhicule doit être arrêté pour engager ou désengager 2WD/4WD et 4WD-LOCK. Des dommages mécaniques peuvent survenir si le commutateur est engagé ou désengagé pendant la conduite

CARACTÉRISTIQUES ET COMMANDES

Fonctionnement du commutateur sur commande 2WD / 4WD / 4WD-LOCK

Pour passer du 2WD à 4WD : Arrêtez le véhicule. Tournez le commutateur de la gauche vers le centre. L'indicateur 4WD  s'affichera sur le tableau de bord.

Pour passer du 4WD à 2WD : Arrêtez le véhicule. Tournez le commutateur du centre vers la gauche. L'indicateur 2WD  s'affichera sur le tableau de bord.

Pour passer à 4WD-LOCK: Arrêtez le véhicule. Tournez le commutateur du centre vers la droite. L'indicateur 2WD/4WD diff-lock  s'affichera sur le tableau de bord.

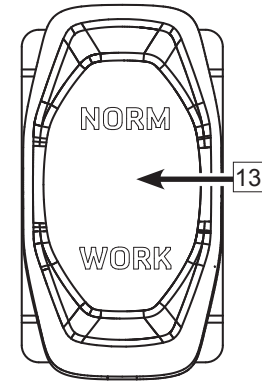
REMARQUE : FONCTIONNEMENT DU 4WD-LOCK

- La direction exigera plus d'efforts en mode 4WD-LOCK. C'est normal.
- Lorsque le commutateur est réglé sur « LOCK », le témoin de verrouillage du différentiel avant clignote jusqu'à ce que le différentiel avant soit verrouillé.
- Si le témoin lumineux clignote, tourner la direction de gauche à droite aidera le mécanisme de verrouillage du train avant à s'engager.
- Conduire avant que le blocage du différentiel avant ne soit correctement engagé (par exemple, le témoin lumineux clignote) limitera la vitesse du moteur jusqu'à ce que l'engagement soit terminé.
- Lorsque le véhicule est en 4WD-LOCK, la vitesse de déplacement maximale est limitée à 22 mi/h (35 km/h).
- Si les conditions exigent la pleine puissance du moteur, appuyez sur le commutateur de neutralisation sur le tableau de bord pour désactiver le limiteur de vitesse 4WD-LOCK.

CARACTÉRISTIQUES ET COMMANDES

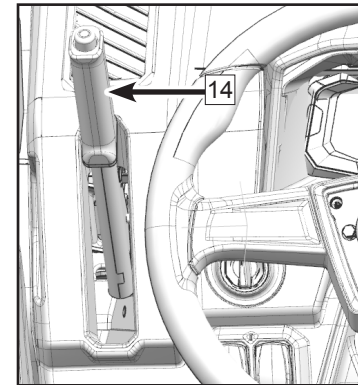
Changement de mode - 13

NORMAL	Lorsque le commutateur est sur cette position, le véhicule est en mode « NORMAL ». L'affichage du tableau de bord passera également en mode « NORMAL ». Le véhicule aura une réponse de l'accélérateur moins agressive pour des démarrages en douceur et est destiné aux sentiers plats, aux sols durs, etc. À utiliser pour la conduite légère. REMARQUE : N'utilisez pas ce mode pour des situations de conduite qui imposent une charge élevée sur la courroie CVT. Des dommages peuvent survenir.
WORK	Lorsque le commutateur est sur cette position, le véhicule est en mode « WORK ». L'affichage du tableau de bord passera également en mode « WORK ». Le véhicule aura une réponse de l'accélérateur plus rapide. REMARQUE : Utilisez ce mode pour les charges de travail, les terrains ou les sentiers complexes et d'autres situations de conduite qui peuvent placer une charge élevée sur la courroie CVT.



Frein à main - 14

Ce véhicule est muni d'un frein à main auxiliaire, qui est situé à droite du siège du conducteur. Tirez sur le levier pour appliquer les freins arrière et empêcher le véhicule de rouler lorsque garé sur une pente. Pour relâcher le frein à main, tirez légèrement vers le haut et appuyez sur le déclencheur à l'extrémité du levier, puis poussez le levier vers sa position initiale.

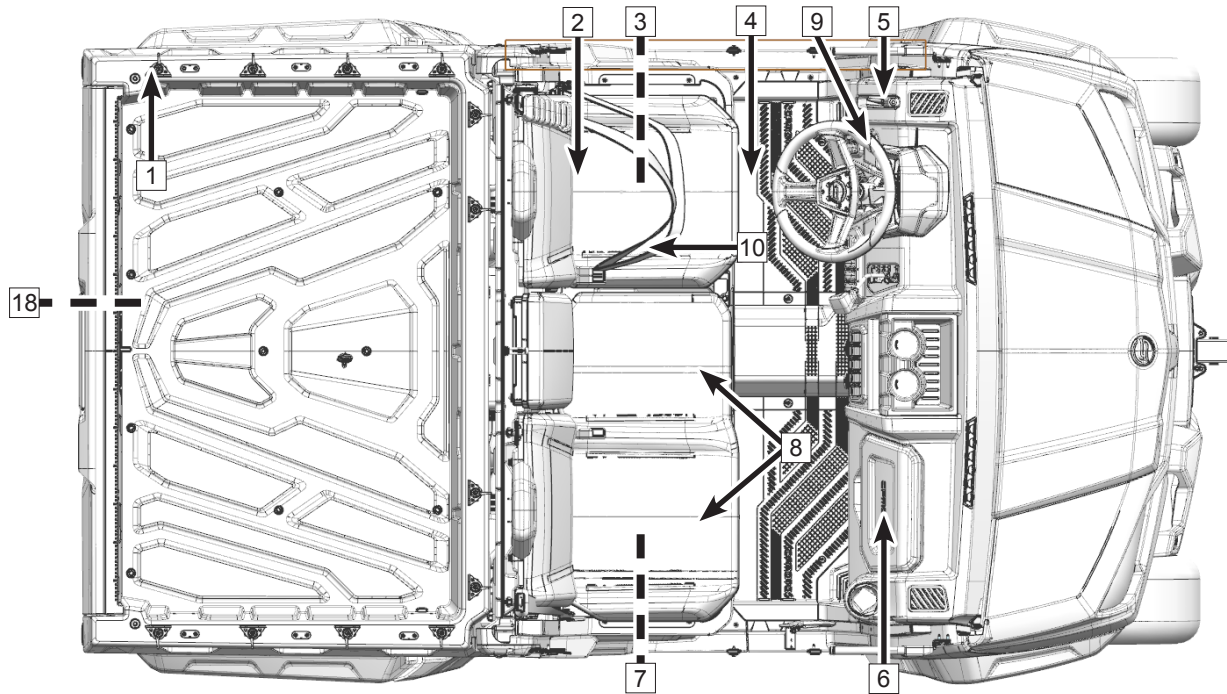


 **ATTENTION**

Ne comptez jamais uniquement sur la fonction de stationnement de la transmission si le véhicule est stationné sur une pente. Serrez toujours le frein à main et bloquez les roues du côté descendant du véhicule pour empêcher tout mouvement. Il est recommandé de garer le véhicule sur un sol plat.

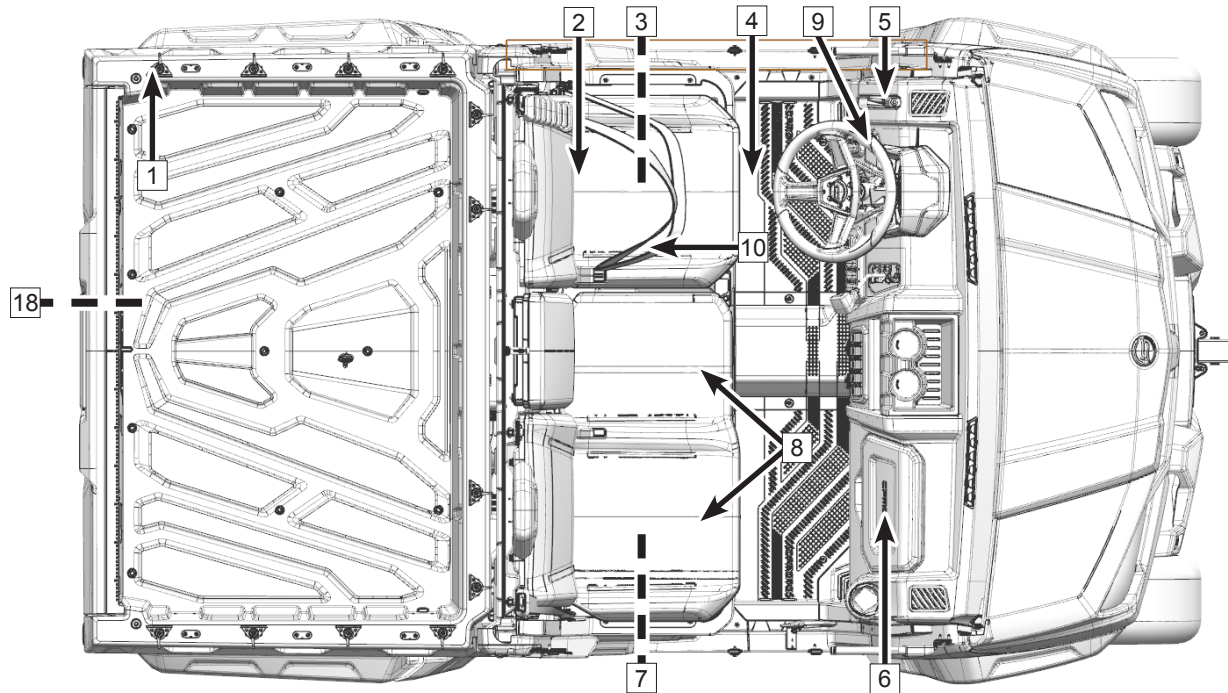
CARACTÉRISTIQUES ET COMMANDES

Emplacement des caractéristiques - 1



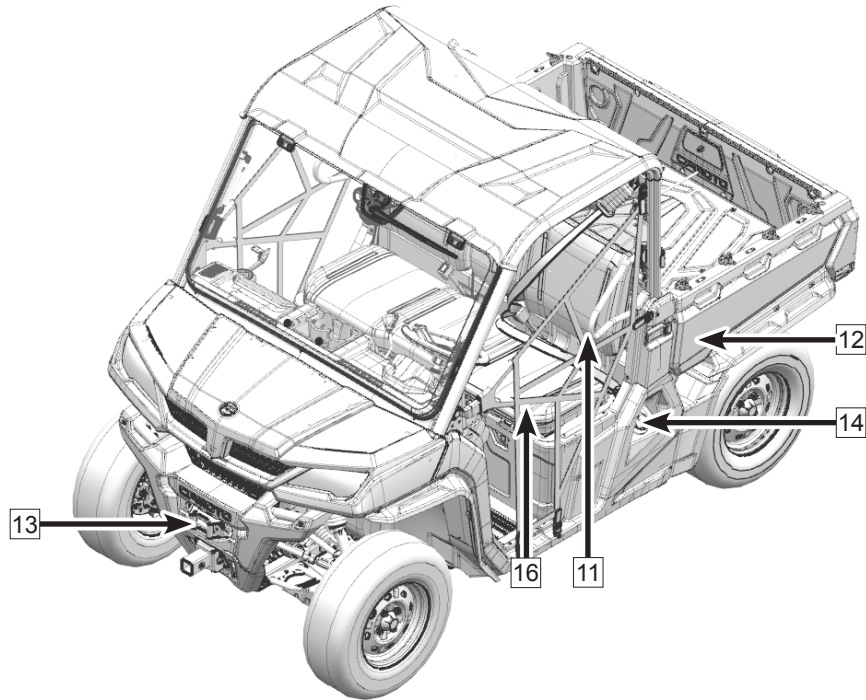
CARACTÉRISTIQUES ET COMMANDES

Emplacement des caractéristiques - 1



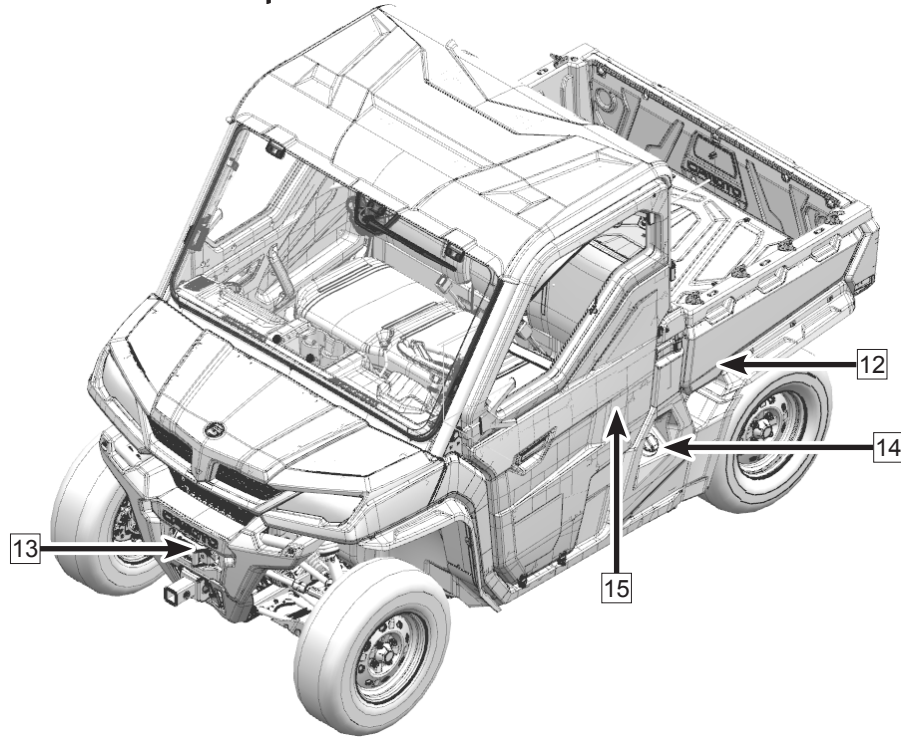
CARACTÉRISTIQUES ET COMMANDES

Emplacement des caractéristiques - 2



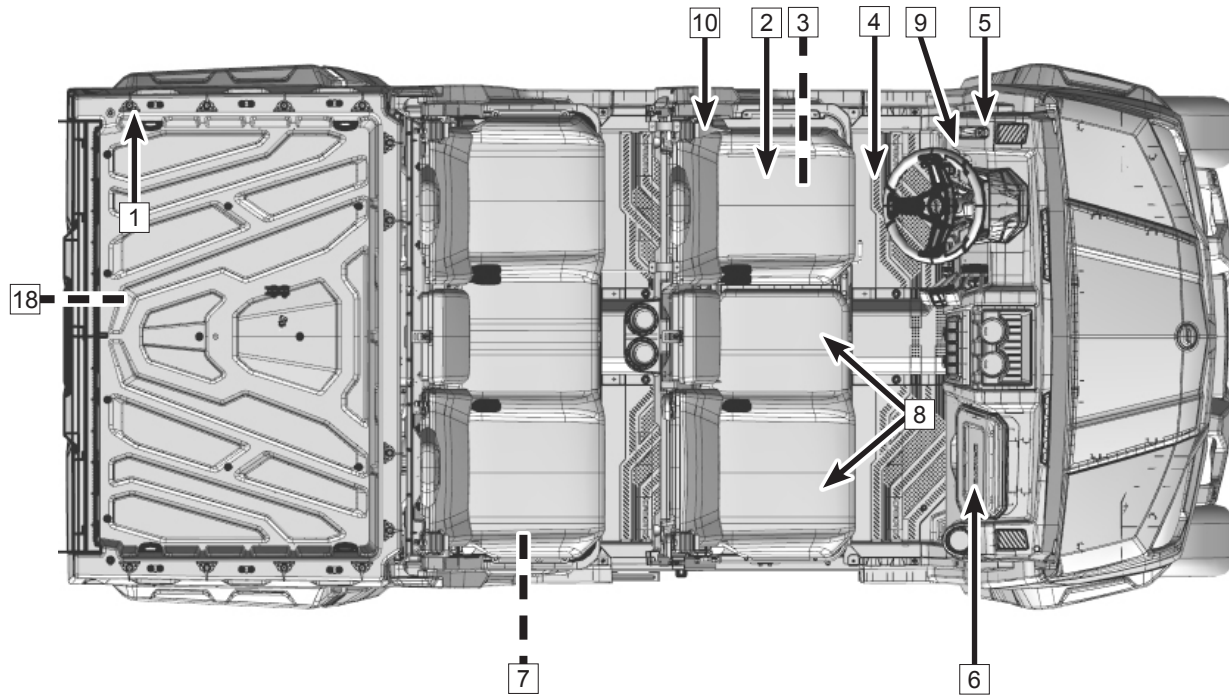
CARACTÉRISTIQUES ET COMMANDES

Emplacement des caractéristiques - 3



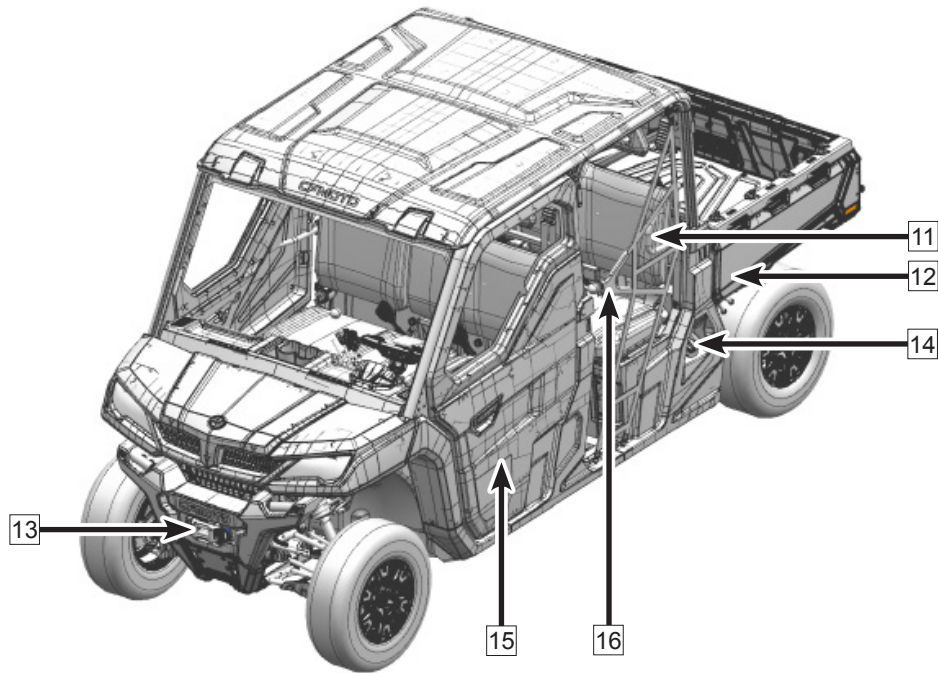
CARACTÉRISTIQUES ET COMMANDES

Emplacement des caractéristiques - 4



CARACTÉRISTIQUES ET COMMANDES

Emplacement des caractéristiques - 5



CARACTÉRISTIQUES ET COMMANDES

Descriptions des caractéristiques

Crochets d'ancrage - 1

12 points de crochet d'ancrage sont situés à l'intérieur de la zone de chargement pour sécuriser la cargaison à l'intérieur de la boîte de chargement.

Siège conducteur - 2

Le siège du conducteur offre un réglage avant et arrière. Pour régler le siège, tournez le levier pour le déverrouiller. Relâchez le levier pour verrouiller le siège dans la position souhaitée. Une sangle de traction à l'arrière du siège permet au siège de s'incliner vers l'avant pour l'entretien.

Rangement siège du conducteur - 3

Ce véhicule est muni d'un coffre de rangement sous le siège conducteur, conçu pour transporter des objets légers. Une sangle de traction à l'arrière du siège permet au siège de s'incliner vers l'avant pour y accéder.

Repose-pieds - 4

Ce véhicule est muni de repose-pieds conducteur et passager pour permettre de planter fermement les pieds sur le plancher du véhicule, ce qui contribue à minimiser le risque de blessure aux jambes ou aux pieds et à maintenir une bonne position du corps pendant la conduite. Portez toujours des chaussures appropriées.

Frein à main - 5

Appuyez sur le bouton de déverrouillage et tirez le levier vers le haut pour engager le frein à main. Appuyez sur le bouton de déverrouillage et appuyez vers le bas pour désengager le frein à main avant de conduire.

CARACTÉRISTIQUES ET COMMANDES

Rangement portatif - 6

Ce véhicule est muni d'un coffre de rangement fermé sur le tableau de bord, conçu pour transporter le contrôleur de treuil et des objets légers.

Rangement siège du passager - 7

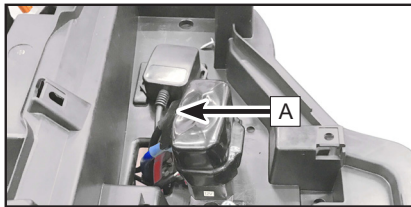
Une boîte de rangement avec des outils de base est fournie. Elle est généralement rangée sous le siège du passager.

Siège passager - 8

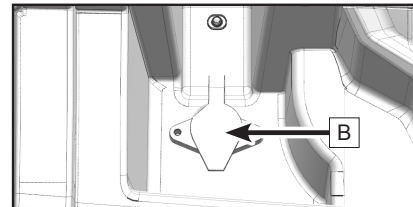
Le siège passager n'est pas réglable. Une sangle de traction à l'arrière du siège permet au siège de s'incliner vers l'avant pour l'entretien ou pour accéder à la boîte de rangement.

Contrôleur de câble de treuil et port d'alimentation - 9

Ce véhicule est muni d'un contrôleur de treuil filaire et d'un port d'alimentation, qui peuvent être désignés pour une utilisation si la commande de treuil sans fil ne fonctionne pas. Le port d'alimentation est situé sur le côté inférieur gauche du volant.



A Récepteur, commande de treuil sans fil



B Commutateur, port d'alimentation treuil

CARACTÉRISTIQUES ET COMMANDES

Ceinture de sécurité - 10

Ce véhicule est muni de ceintures de sécurité à 3 points pour aider à protéger le conducteur et le passager en cas de collision, de renversement ou de culbutage, et pour aider à garder les occupants dans la cabine. Le témoin de ceinture de sécurité clignotera si la ceinture de sécurité n'est pas bouclée pendant la conduite.

Protège-épaules - 11

Le véhicule est muni de protège-épaules pour aider à retenir le corps du conducteur et du passager à l'intérieur du véhicule.

Boîte de chargement et fonction d'inclinaison - 12

Reportez-vous aux autocollants de sécurité sur la caisse de chargement pour obtenir des informations sur le chargement. La boîte de chargement possède une poignée de dégagement de chaque côté qui peut être utilisée pour incliner la boîte pour l'entretien ou pour vider le matériel.

Treuil - 13

Ce véhicule est muni d'un treuil de 3 500 lb. Une télécommande sans fil et un contrôleur de treuil standard se trouvent dans la boîte à gants. Le port d'alimentation du contrôleur de treuil est situé sur le tableau de bord droit à l'intérieur de la boîte à gants. Pour préserver la puissance de la batterie, n'utilisez le treuil que lorsque le moteur tourne. Veuillez vous référer au manuel de votre treuil pour plus d'informations ou consulter votre concessionnaire sur l'utilisation du treuil avant d'utiliser votre véhicule.

CARACTÉRISTIQUES ET COMMANDES

Bouchon de remplissage du réservoir de carburant - 14

Le bouchon de remplissage du réservoir de carburant est situé du côté conducteur du véhicule près du siège. Pour remplir le réservoir, saisissez fermement le bouchon du réservoir, puis tournez-le dans le sens inverse des aiguilles d'une montre et retirez-le. Réinstallez le bouchon de carburant en toute sécurité une fois le remplissage du réservoir de carburant terminé. La capacité du réservoir de carburant est de 10,57 gal. (40L).

Portes latérales - 15

Des portes latérales sont prévues de chaque côté de la cabine pour aider les bras, les jambes ou les épaules de demeurer à l'intérieur du véhicule, réduisant ainsi le risque de blessures. (Si équipé - disponible dans certains pays).

Filets de sécurité - 16

Utilisez toujours des filets latéraux et/ou des portes latérales lorsque vous conduisez le véhicule. Assurez-vous que les quatre points de fixation des filets latéraux sont fixés sur le véhicule et attachez le loquet au connecteur de verrouillage. Les filets latéraux et/ou les portes peuvent aider à protéger le conducteur et le passager dans la cabine (Si équipé de filets latéraux ou de portes latérales, selon le pays).

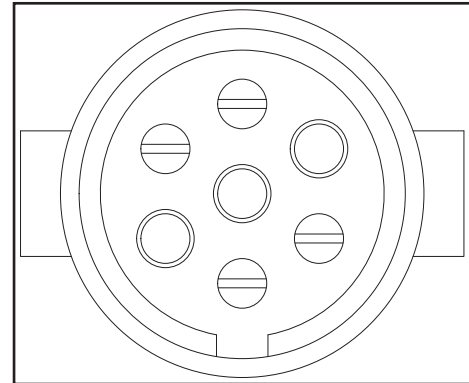
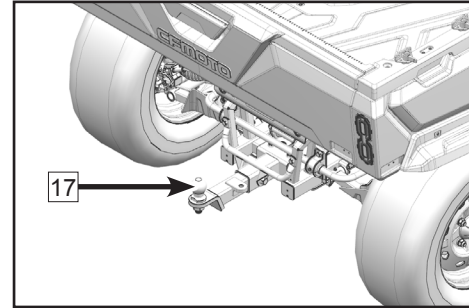
CARACTÉRISTIQUES ET COMMANDES

Remorquage - 17

Ce véhicule est muni d'un support d'attelage standard de 2 po x 2 po (51 mm x 51 mm), d'une prise de lumière de remorque dans le puits de l'aile intérieure arrière droite du véhicule et d'un adaptateur de câblage de remorque. Veuillez consulter votre concessionnaire sur le remorquage et l'utilisation des remorques avant d'utiliser votre véhicule.

Prise d'alimentation de remorque (si équipé) - 18

Ce véhicule est muni d'une prise de courant de remorque à 7 broches, située sous le coffre arrière. Les fils de la prise sont configurés selon cette norme comme indiqué dans l'image fournie. Un convertisseur de puissance de remorque accessoire est requis pour les remorques qui n'ont pas de connecteur à 7 broches. Contactez votre concessionnaire pour plus d'informations.

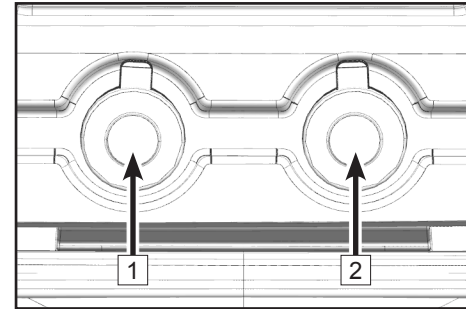


CARACTÉRISTIQUES ET COMMANDES

Caractéristiques supplémentaires du véhicule

Alimentation accessoire 12 volts

Des prises de courant auxiliaires 12Vdc (flèches) sont fournies sur les côtés droit et gauche du tableau de bord pour faire fonctionner les accessoires tels que les projecteurs portatifs et les appareils électroniques de charge. Veuillez consulter votre concessionnaire sur l'utilisation d'accessoires électriques avec votre véhicule.



1	Alimentation accessoire 12 volts	2	USB
---	-------------------------------------	---	-----

CARACTÉRISTIQUES ET COMMANDES

Télécommande de treuil sans fil - 1

Ce véhicule est muni d'une télécommande sans fil pour le fonctionnement du système de treuil. La télécommande sans fil est généralement rangée dans la boîte à gants du tableau de bord :

- Pour activer la télécommande sans fil :
Appuyez sur les deux boutons en même temps.
Le voyant lumineux s'allumera, et le contrôleur pourra être utilisé.
- Pour désactiver la télécommande sans fil :
Appuyez sur les deux boutons en même temps.
Le contrôleur et le voyant lumineux s'éteindront.

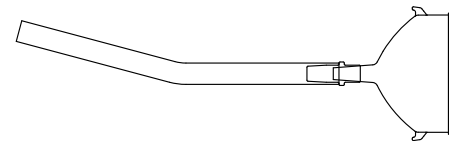


Contrôleur de câble de treuil filaire - 2 et port d'alimentation

Ce véhicule est muni d'un contrôleur de treuil filaire, qui peut être désigné pour être utilisé si la télécommande du treuil sans fil ne fonctionne pas. Le port d'alimentation de commande par câble est situé à l'intérieur de la boîte à gants.

Entonnoir et tuyau de remplissage d'huile

Ce véhicule est muni d'un entonnoir de remplissage d'huile et d'un tuyau pour l'entretien, qui sont rangés sous le siège passager.



CARACTÉRISTIQUES ET COMMANDES

Réservoir de liquide de frein et indicateur de niveau

Le niveau de liquide du réservoir du maître-cylindre de frein est visible sous le capot avant. Vérifiez le niveau de liquide du réservoir du maître-cylindre avant chaque utilisation du véhicule. Si le niveau de liquide est inférieur au repère « low », déterminez la cause ou remplissez de liquide de frein si nécessaire.

NOTE:

Lors de la vérification des niveaux de liquide, le véhicule doit être sur une surface plane. Si le niveau de liquide est inférieur à la marque « lower », ajoutez du liquide de frein DOT4. Ne pas trop remplir.

AVERTISSEMENT

Un maître-cylindre trop plein peut entraîner une traînée ou un blocage des freins, ce qui peut entraîner un accident causant des blessures graves ou la mort. Maintenez le liquide de frein au niveau recommandé. Ne pas trop remplir.

AVERTISSEMENT

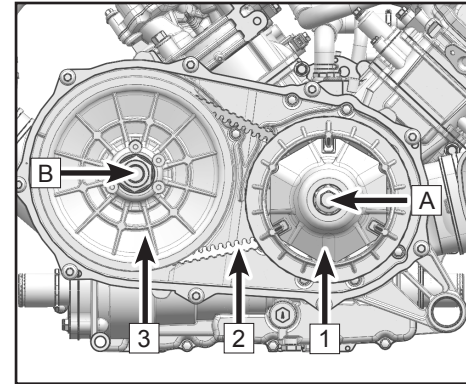
Ne jamais entreposer ou utiliser une bouteille de liquide de frein entamée. Le liquide de frein est hygroscopique, ce qui signifie qu'il absorbe rapidement l'humidité de l'air. L'humidité provoque la baisse de la température d'ébullition du liquide de frein, ce qui peut entraîner l'usure prématurée des freins et la possibilité d'un accident ou de blessures graves. Après avoir ouvert une bouteille de liquide de frein, disposez toujours de toute portion inutilisée.

CARACTÉRISTIQUES ET COMMANDES

Système CVT

Ce véhicule est muni d'un système de transmission à variation continue (CVT) qui utilise une courroie et des poulies de tambour d'embrayage pour varier automatiquement les ratios de transmission, permettant ainsi une variabilité infinie entre les vitesses les plus élevées et les plus faibles du véhicule sans étape ou changement de vitesse discret.

Le CVT est constitué d'un tambour d'embrayage primaire (1), qui est une forme avancée de tambour d'embrayage centrifuge monté sur le vilebrequin du moteur (A).



Le tambour d'embrayage secondaire (3) est monté sur l'arbre d'entrée de la transmission (B) et remplit 2 fonctions : en tant que poulie « esclave » du tambour d'embrayage primaire, et pour fournir un élément de détection de couple. La courroie d'entraînement (2) est une courroie en V qui relie le moteur et les poulies de transmission.

Un boîtier et couvercle CVT entourent les tambours d'embrayage et la courroie. Ce boîtier possède des conduits de refroidissement des prises d'entrée et de sortie qui acheminent l'air pour refroidir les composants et ces conduits doivent être vérifiés régulièrement. Les composants du CVT ne contiennent aucune pièce nécessitant de la maintenance pour l'utilisateur. Contactez votre concessionnaire pour l'entretien.

CARACTÉRISTIQUES ET COMMANDES

Systeme de freinage moteur (EBS) (Australie seulement)

Ce véhicule est muni d'un système de freinage moteur. L'embrayage primaire CVT monté sur le vilebrequin du moteur contient un roulement unidirectionnel qui crée un freinage moteur, qui se produit lorsque l'accélérateur est complètement fermé, le moteur est en dessous du régime d'embrayage primaire et le véhicule est à la vitesse. Il utilise la compression/force résistive du moteur pour ralentir la vitesse de surmultiplication via la courroie de transmission CVT, ralentissant ainsi progressivement l'ensemble du véhicule.

Le freinage moteur est toujours actif et offre le plus d'avantages lorsque :

- Il est utilisé en conjonction avec les modes 4WD et 4WD Diff-Lock.
- Il est utilisé lors de la descente de collines escarpées ou glissantes.
- Il est utilisé lors de la descente en pente rocheuse.
- Il est utilisé pour ralentir lors du remorquage de charges lourdes.
- Il assiste à l'application normale du système **de freinage**.

L'EBS ne remplace pas le système de freinage du véhicule, bien que la durée de vie des plaquettes de frein et du disque augmente lorsque l'EBS aide au fonctionnement normal du système de freinage. L'EBS n'est pas réglable et ne contient aucun élément de maintenance utilisateur. Contactez votre revendeur pour le service.

CARACTÉRISTIQUES ET COMMANDES

Évitez les défaillances de la courroie d'entraînement et de l'embrayage CVT.

La durée de vie de l'embrayage et de la courroie CVT peut être considérablement prolongée en évitant ces erreurs de fonctionnement courantes :

Causes et dommages CVT	Solution
Tenter de charger le véhicule sur une plate-forme de camion ou sur une remorque fermée alors qu'il est embrayé à la vitesse HIGH.	Embrayer le véhicule à la vitesse LOW pendant le chargement pour éviter la brûlure de la courroie.
Démarrer sur une pente abrupte avec le véhicule embrayé sur HIGH.	Lorsque vous démarrez sur une pente abrupte, utilisez la vitesse LOW.
Une conduite constante à bas régime, conduisant juste au-dessus du régime d'embrayage, ou à grande vitesse lorsque le véhicule est embrayé sur la vitesse LOW (5 km/h ~ 10 km/h).	Un bas régime est recommandé pour de meilleures températures de fonctionnement CVT et une durée de vie plus longue des composants.
Réchauffement insuffisant de la CVT, lorsqu'exposée à de basses températures ambiantes.	Réchauffez le moteur avant utilisation, la courroie d'entraînement CVT deviendra alors plus souple et empêchera la courroie de brûler.
Accélérateur lent et engagement CVT facile.	Utilisez l'accélérateur avec raison et efficacité pour un engagement efficace de l'embrayage CVT.
Remorquage/Poussée à faible régime ou à vitesse LOW.	Utilisez uniquement la vitesse LOW.
Utilisation utilitaire/Pelle à neige, terre, etc.	Utilisez uniquement la vitesse LOW.
Lourde charge de véhicule fonctionnant à basse vitesse.	Utilisez uniquement la vitesse LOW.

CARACTÉRISTIQUES ET COMMANDES

Causes et dommages CVT	Solution
Véhicule coincé dans la neige ou la boue.	Embrayez la transmission à LOW et appliquez soigneusement des coups d'accélérateur rapides et agressifs pour engager la CVT. AVERTISSEMENT : L'utilisation excessive de l'accélérateur peut entraîner une perte de contrôle et un renversement du véhicule.
Passer sur de gros obstacles en partant d'une position arrêtée.	Embrayez la transmission à LOW et appliquez soigneusement des coups d'accélérateur rapides, brefs et agressifs pour engager la CVT. AVERTISSEMENT : L'utilisation excessive de l'accélérateur peut entraîner une perte de contrôle et un renversement du véhicule.
Eau ou neige dans le système CVT causant un glissement de la courroie.	Vidangez l'eau du CVT et asséchez-le, si possible contactez votre concessionnaire.
Une surchauffe des composants CVT provoquant un dysfonctionnement.	Contactez votre concessionnaire pour vérification et réparation des composants CVT.

CARACTÉRISTIQUES ET COMMANDES

Que faire si de l'eau s'accumule dans le boîtier CVT

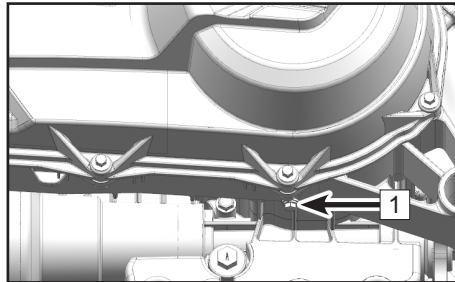
Si le véhicule a été immergé suffisamment profondément pour que de l'eau ait pénétré dans le carter CVT, retirez le boulon de vidange (1) au bas du carter pour vidanger l'eau du carter.

ATTENTION

Si de l'eau s'écoule du boîtier CVT après avoir retiré le boulon, demandez à votre concessionnaire d'inspecter le véhicule, car l'eau peut avoir affecté le système CVT et d'autres pièces du moteur.

Séchage d'un système CVT humide

Si le système CVT a été submergé et que la courroie d'entraînement patine, toute humidité restante à l'intérieur du boîtier CVT après la vidange peut être expulsée en faisant tourner le moteur à plus de 2000 tr/min en stationnement ou au point mort pendant 30 à 60 secondes, puis en testant le bon fonctionnement de la CVT à basse équipement. Répétez si nécessaire. Si le système CVT continue de glisser ou a de mauvaises performances, contactez votre concessionnaire.



1 | Boulon de vidange, Carter CVT

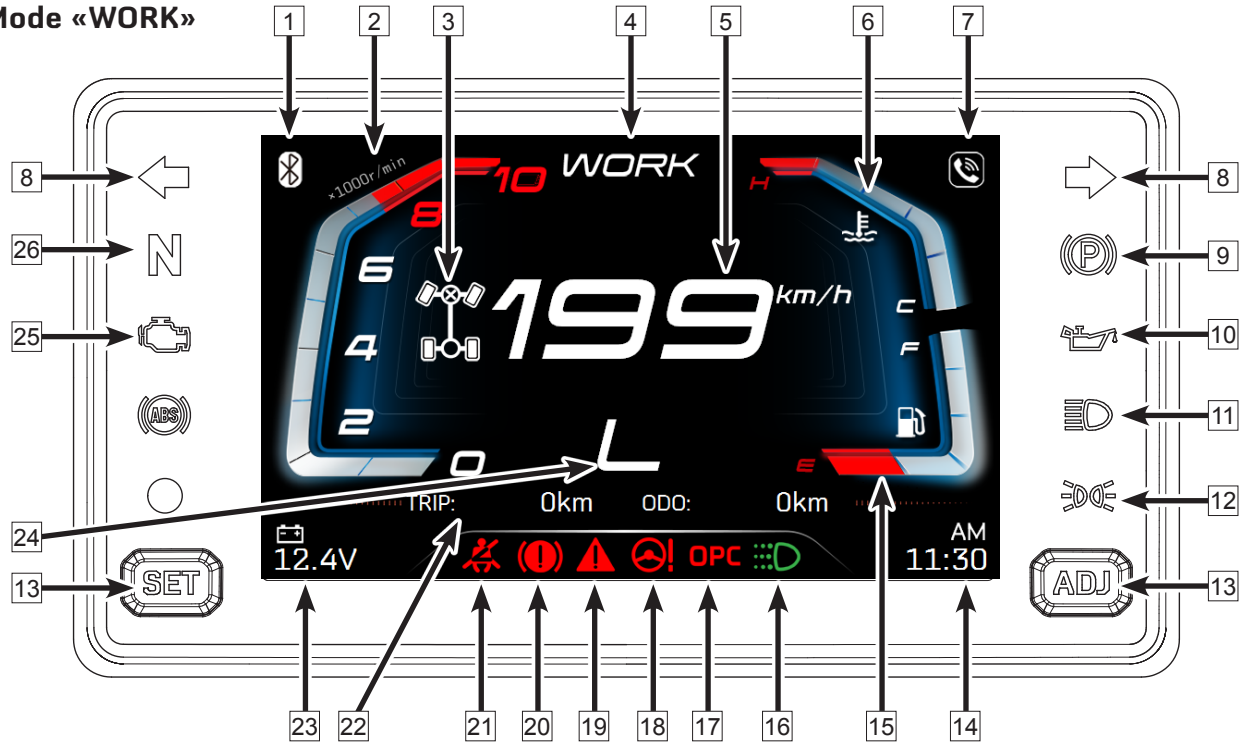
CARACTÉRISTIQUES ET COMMANDES

Indicateurs et avertissements du tableau

1	Indicateur Bluetooth	7	Indicateur d'appel	13	Commutateur d'ajustement	19	Indicateur Override	25	Indicateur de dysfonction EFI
2	Tr/min. moteur	8	Clignotant	14	Horloge	20	Indicateur dysfonction freins	26	Indicateur neutre
3	Mode de conduite	9	Indicateur frein de stationnement	15	Jauge à carburant	21	Indicateur d'avertissement ceintures de sécurité		
4	Mode d'affichage	10	Indicateur de pression d'huile	16	Indicateur de feux de jour	22	Odomètre		
5	Compteur	11	Indicateur feux de route	17	Affichage tension	23	Affichage de tension		
6	Température du liquide de refroidissement	12	Indicateur feux de position	18	Indicateur dysfonction EPS	24	Indicateur de position du levier de vitesse		

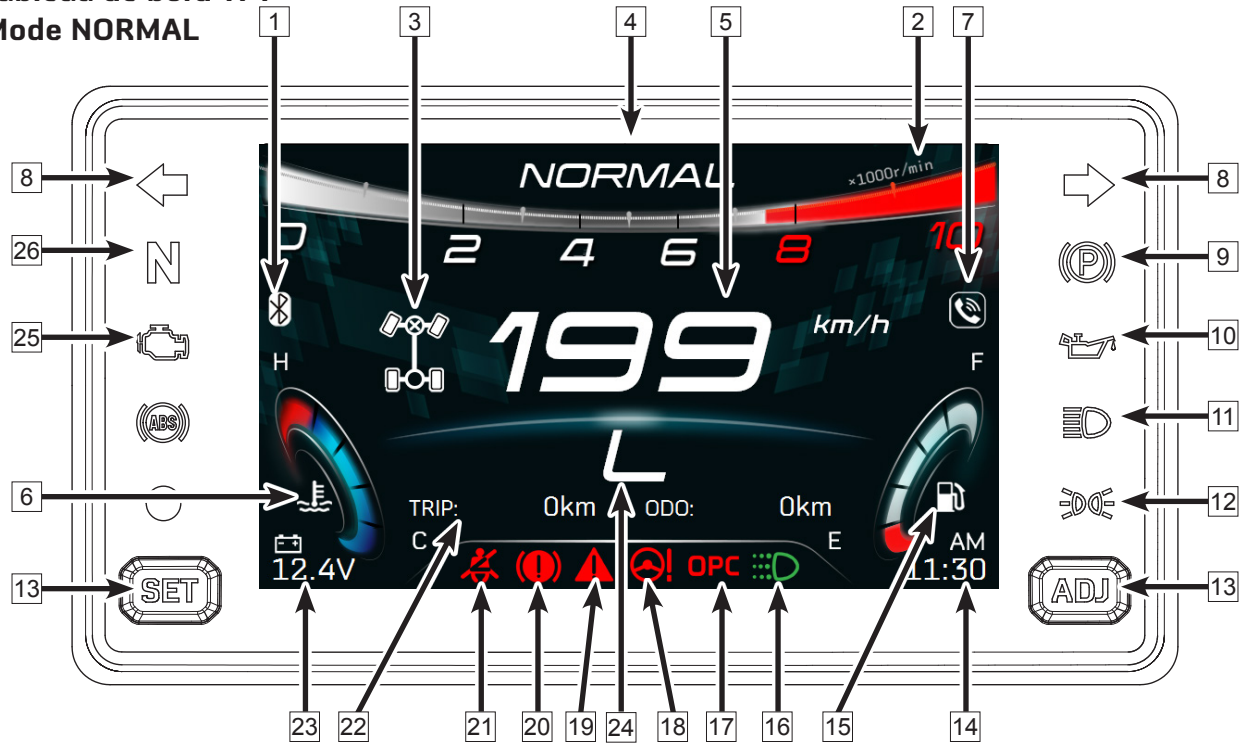
CARACTÉRISTIQUES ET COMMANDES

Tableau de bord TFT Mode «WORK»



CARACTÉRISTIQUES ET COMMANDES

Tableau de bord TFT
Mode NORMAL



CARACTÉRISTIQUES ET COMMANDES

Indicateurs et avertissements sur le tableau de bord

Indicateur Bluetooth - 1

Ce véhicule est équipé de la fonction Bluetooth. L'indicateur Bluetooth ne s'allume pas lorsqu'il n'est pas couplé et connecté à un téléphone. Il clignotera pendant l'appairage et la connexion, et restera allumé une fois l'appel connecté. L'indicateur de téléphone ne s'affiche pas lorsqu'il n'y a pas d'appel, il clignote lorsqu'il y a un appel entrant et il reste allumé lorsque l'appel est connecté.

Appuyez brièvement sur le bouton « SEL » pour répondre à l'appel et appuyez brièvement sur le bouton « ADJ » pour terminer l'appel. Ouvrez la fonction Bluetooth sur votre téléphone, puis connectez la fonction Bluetooth du véhicule à l'aide de votre téléphone.

Tr. Min. moteur - 2

Indique le régime actuel du moteur. **Mode de conduite - 3**

Indique la méthode d'entraînement 2WD, 4WD ou 4WD-LOCK choisie.

Mode d'affichage - 4

Indique le mode de conduite sélectionné : WORK ou NORMAL.

Compteur - 5

Cette section du tableau de bord peut être basculée pour afficher la vitesse du véhicule en kilomètres par heure (km/h) ou miles par heure (mi/h).

CARACTÉRISTIQUES ET COMMANDES

Température liquide de refroidissement - 6

Cette section du tableau de bord affiche la température actuelle du liquide de refroidissement, « C » est une basse température, « H » est une température élevée. Les deux cas, soit une température trop basse et trop élevée, sont anormaux. Laissez tourner le véhicule au ralenti pour réchauffer le moteur lorsqu'il est trop froid et arrêtez le véhicule lorsqu'il est trop chaud pour empêcher le liquide de refroidissement de bouillir. Maintenez la température du liquide de refroidissement dans une plage normale.

Indicateur d'appel - 7

Une fois le couplage Bluetooth réussi, ce voyant clignote lorsqu'il y a un appel entrant et affiche « CALL IN ». Appuyez brièvement sur « SEL » pour accepter l'appel, appuyez brièvement sur « ADJ » pour terminer l'appel.

Clignotants - 8

Si équipé.

Indicateur de frein de stationnement - 9

S'affiche lorsque la fonction de frein de stationnement est activée.

Indicateur de pression d'huile - 10

Si l'indicateur de signal de pression d'huile est allumé, il se peut qu'il y ait un problème avec le système d'huile. Veuillez faire vérifier votre véhicule..

Indication de feux de route - 11

Cet indicateur s'allume lorsque l'interrupteur des phares est dans cette position.

Indicateur de feux de position - 12

Ce témoin s'allume lorsque l'interrupteur de feux de position est allumé.

CARACTÉRISTIQUES ET COMMANDES

Commutateur d'ajustement - 13

Utilisez cette touche, combinée avec la touche « SEL », pour définir les informations du tableau de bord.

Horloge - 14

Cette section du tableau de bord peut être ajustée à l'heure exacte à l'aide des boutons « SEL » et « ADJ ». Reportez-vous à la section « Navigation / Paramètres / Réglages » du guide de l'utilisateur pour obtenir des instructions.

Jauge à carburant - 15

Indique le niveau de carburant dans le réservoir. « F » indique que le niveau de carburant est de 10,6 gallons. Lorsque la jauge de carburant est dans la zone rouge, le carburant résiduel dans le réservoir de carburant est de 0,9 gallons. Dans ce cas, faites le plein.

Indicateur feux de jour - 16

Cet indicateur s'affiche lorsque le phare s'allume.

Indicateur OPC - 17

Contrôle de la présence des occupants. Cet indicateur s'affiche si le conducteur a quitté le véhicule sans le mettre en stationnement. Un signal sonore retentit en même temps.

Indicateur de dysfonction EPS - 18

Ce témoin lumineux clignote en cas de panne du système de direction assistée électronique.

Indicateur de neutralisation (Override) - 19

Cet indicateur s'affiche lorsque la fonction de dérogation est activée.

CARACTÉRISTIQUES ET COMMANDES

Indicateur d'avertissement ceintures de sécurité - 21

Rappel de ceinture de sécurité. Cet indicateur s'affiche lorsque la ceinture de sécurité n'est pas bouclée. Lorsque la plaque de verrouillage n'est pas poussée dans la boucle, l'indicateur sur le tableau de bord sera allumé et la vitesse du véhicule sera limitée à 25 km/h; lorsque la plaque de verrouillage est enfoncée dans la boucle, l'indicateur sur le tableau de bord sera éteint et la limitation de vitesse du véhicule est désactivée.

Odomètre - 22

Affiche le kilométrage total ou le kilométrage parcouru par le véhicule. Vous pouvez basculer entre le kilométrage total ou le kilométrage parcouru à l'aide du bouton SEL.

Affichage de tension - 23

Affiche la tension de la batterie.

Indicateur de position du levier de vitesse - 24

Cet indicateur s'affiche lorsque la transmission est embrayée en basse vitesse (L), vitesse élevée (H), neutre (N), marche arrière (R) ou stationnement (P).

Indicateur de dysfonction EFI - 25

S'affiche lorsqu'une panne se produit dans le système d'injection électronique de carburant.

Indicateur neutre - 26

Cet indicateur d'affiche lorsque la transmission est au point mort.

CARACTÉRISTIQUES ET COMMANDES

TFT Dashboard Settings/Adjustments

Item	Affichage	SET	ADJ	Operation	Resultat	
Mode Display	RPM Moteur	Appui court		Basculer au mode TRIP	ModeTRIP	
	TRIP	Appui court		Basculer au nombre d'heure moteur	Heure du moteur	
			Appui long		Remise à zero du mode TRIP	TRIP
	Heures moteur	Appui court		Passer à luminosité tableau de bord	Luminosité tableau de bord	
	Luminosité	Appui court		Passer au mode RPM moteur	RPM du moteur	
Luminosité	Interface d'accueil		Appui court	Ajuster la luminosité du tableau de bord 1→5→1	Interface ajustement heure	
Réglage de l'heure, décalage du format de l'heure, décalage de l'unité de vitesse	Interface d'accueil	Appui long		Passer au mode réglage heure	Interface ajustement heure	
	Heures	Appui court		Passer au réglage des minutes	Interface ajustement minute	
			Appui court		Heure (ajoute 1 à chaque pression)	Interface ajustement heure
	Minutes	Appui court		Passer au réglage du format de l'heure	Réglage heure	
			Appui court		Minute (ajoute 1 à chaque pression)	Réglage minute
	Ajustement de l'heure	Appui court			Passer à l'unité de vitesse	Réglage unité vitesse
			Appui court		Basculer entre l'affichage 12/24 h	Interface de réglage du format de l'heure
Vitesse (unité)	Appui court			Quitter le mode de réglage	Ecran d'accueil	
		Appui court		Passer à l'unité de vitesse	Réglage unité vitesse	
Appel	Appel entrant	Appui court		Accepter l'appel	En appel	
			Appui court	Refuser l'appel	Interface d'accueil	
	En appel		Appui court	Terminer l'appel	Interface d'accueil	

CONDUITE ET OPÉRATION

Période de rodage

La période de rodage de votre nouveau véhicule est très importante. Prendre soin d'un nouveau moteur se traduira par des performances plus efficaces et une durée de vie plus longue du moteur. Appliquez soigneusement les procédures suivantes.

1. Choisissez une zone ouverte qui vous permettra de vous familiariser avec le fonctionnement et la manipulation du véhicule.
2. Placez le sur une surface plane.
3. Remplissez le réservoir d'essence.
4. Vérifiez le niveau d'huile à moteur. Ajoutez de l'huile au niveau recommandée si nécessaire, afin de toujours maintenir le niveau d'huile entre les indicateurs minimum et maximum sur la jauge.
5. Placez-vous en position de conducteur sur le véhicule et démarrez le moteur. Laissez le moteur tourner au ralenti pendant une courte période avant de faire fonctionner le véhicule.
6. Appuyez sur la pédale de frein, sélectionnez la vitesse souhaitée, puis relâchez la pédale de frein.
7. Donnez du gaz. Conduisez lentement au début, en faisant varier les positions de l'accélérateur à $\frac{1}{2}$ ouvert pendant 10 heures ou 160 km, puis à $\frac{3}{4}$ ouvert pendant un autre 10 heures ou 160 km. Ne pas faire laisser tourner le moteur au ralenti ou à plein régime de façon soutenue.
8. Évitez de tirer ou de transporter des charges pendant la période de rodage.
9. Vérifiez périodiquement le niveau de liquide de refroidissement, les commandes, etc. En plus des éléments décrits dans le tableau d'entretien périodique.
10. À la fin de la période de rodage, changez l'huile et le filtre (20 h ou 200 miles/320 km).

CONDUITE ET OPÉRATION

⚠ ATTENTION

Pendant la période de rodage :

- Évitez de charger ou remorquer une cargaison.
- Évitez de faire tourner le moteur avec l'accélérateur engagé à plus de ½ pendant les 10 premières heures (ou 160km/100mi) d'utilisation du véhicule.
- Évitez de faire tourner le moteur avec l'accélérateur engagé à plus de ¾ pendant les 10 à 20 premières heures (ou 160km/100mi) d'utilisation du véhicule.
- L'utilisation d'une huile à moteur autre que celle recommandée peut causer de graves dommages au moteur. CFMOTO recommande l'utilisation d'une huile 10W-40 pour moteurs 4-temps. Une modification de la viscosité d'huile à 5W-40 en raison de conditions de froid extrême ou de 15W-40 en raison de conditions de chaleur extrême est acceptable. Référez-vous au tableau ci-dessous pour le choix de la viscosité d'huile en fonction de la température ambiante.

Viscosité recommandée d'huile à moteur

Viscosité de l'huile			15W-40					
			10W-40					
			5W-40					
F°	-22	-4	14	32	50	68	86	104
C°	-30	-20	-10	0	10	20	30	40

CONDUITE ET OPÉRATION

Inspection pré-randonnée

Avant chaque utilisation de votre véhicule, un propriétaire averti effectuera une vérification de son véhicule à l'aide de la feuille de « Vérification quotidienne avant utilisation » contenue dans la fiche d'entretien.

AVERTISSEMENT

Omettre d'effectuer une inspection adéquate avant chaque utilisation peut entraîner des blessures graves, voire mortelles. Assurez-vous de toujours inspecter le véhicule avant chaque utilisation pour vous assurer qu'il est en bon état de fonctionnement.

Pédale de l'accélérateur

Avant de démarrer le moteur, vérifiez la pédale de l'accélérateur pour vous qu'elle fonctionne adéquatement. Assurez-vous qu'elle reprend sa position dès qu'elle est relâchée. Réglez la vitesse du véhicule en faisant varier la position de la pédale. Parce que la pédale de l'accélérateur est un mécanisme à commande électrique contrôlé par un ordinateur, le véhicule ralentira et le moteur devrait revenir au ralenti chaque fois que votre pied est retiré de la pédale de l'accélérateur.

Pédale de frein

Avant de conduire le véhicule, appuyez sur la pédale pour appliquer les freins avant et arrière. Lorsqu'elle est enfoncée, le levier ou la pédale doit être ferme. Une pédale de frein souple indiquerait une éventuelle fuite de liquide ou un faible niveau de liquide du maître-cylindre, qui doit être corrigé avant de circuler. Contactez votre concessionnaire pour un diagnostic et des réparations appropriées.


CONDUITE ET OPÉRATION

Démarrage du moteur

AVERTISSEMENT

Les gaz d'échappement contiennent du monoxyde de carbone, un gaz mortel pouvant causer une perte de conscience ou même la mort. Ne jamais laisser tourner le moteur dans un endroit clos.

Démarrage à froid

1. Assurez-vous que le levier de sélection de vitesse est à la position « Park » ou « Neutral ».
2. Appuyez sur la pédale de freine.
3. Tournez le commutateur d'extinction du moteur et la clé du commutateur principal à la position “” (ON).
4. Vérifiez que l'accélérateur est complètement désengagé, puis tourner la clé de contact pour démarrer le moteur.
5. Une fois le moteur démarré, continuer de laisser tourner le moteur pendant quelques minutes pour le réchauffer avant de conduire le véhicule.

REMARQUE

Ne tentez pas d'activer le démarreur plus de 10 secondes à la fois. Si le moteur ne démarre pas, relâchez l'interrupteur de démarrage, attendez quelques secondes, puis appuyez à nouveau sur l'interrupteur de démarrage. Chaque tentative doit être la plus courte possible afin de préserver l'énergie de la batterie. Le moteur ne peut être démarré que lorsque le véhicule est au point mort ou à la position PARK. Si le témoin de point mort sur le tableau de bord ne s'allume pas lorsque le sélecteur de vitesse est en position neutre, contactez votre concessionnaire pour vérifier le circuit électrique de l'indicateur ou régler le système de changement de vitesse.

ATTENTION

Laissez le moteur se réchauffer pendant quelques minutes avant de l'utiliser. L'utilisation du véhicule immédiatement après le démarrage pourrait endommager le moteur.

CONDUITE ET OPÉRATION

Fonctionnement du sélecteur de vitesse

ATTENTION

Pour éviter d'endommager la transmission, ramenez l'accélérateur en position fermée, immobilisez le véhicule et actionnez la pédale de frein avant de changer de vitesse.

REMARQUE

La sélection de transmission « Low » est recommandée pour tous les mouvements vers l'avant autres que les déplacements prolongés à haute vitesse.

Embrayer pour sortir du mode « Park » (stationnement)

1. Vérifiez que l'accélérateur est fermé.
2. Appuyez sur la pédale de frein et sur le sélecteur de vitesse.
3. Passez à la vitesse souhaitée en déplaçant le sélecteur de vitesse le long du guide de changement de vitesse.

Embrayez pour passer du mode « Neutral » au mode « High » (Neutre à haute vitesse)

1. Vérifiez que l'accélérateur est fermé et que le véhicule est complètement immobilisé.
2. Appuyez sur la pédale de frein.
3. Passez à « High » en déplaçant le sélecteur de vitesse le long du guide de changement de vitesse.

Embrayer pour passer du mode « High » au mode « Low » (haute vitesse à basse vitesse)

1. Vérifiez que l'accélérateur est fermé et que le véhicule est complètement immobilisé.
2. Appuyez sur la pédale de frein.
3. Passez à « Low » en déplaçant le sélecteur de vitesse le long du guide de changement de vitesse.

CONDUITE ET OPÉRATION

Embrayer pour passer du mode « Low » au mode « High » (basse vitesse à haute vitesse)

1. Vérifiez que l'accélérateur est fermé et que le véhicule est complètement immobilisé.
2. Appuyez sur la pédale de frein.
3. Passez à « High » en déplaçant le sélecteur de vitesse le long du guide de changement de vitesse.

Embrayer pour passer au mode « Reverse » (marche arrière)

1. Vérifiez que l'accélérateur est fermé et que le véhicule est complètement immobilisé.
2. Appuyez sur la pédale de frein et sur le sélecteur de vitesse.
3. Passez à « Reverse » en déplaçant le sélecteur de vitesse le long du guide de changement de vitesse.
4. Vérifiez derrière vous pour des personnes ou obstacles, puis relâchez la pédale de frein arrière.
5. Appliquez graduellement l'accélérateur et continuez de regarder derrière vous tout en reculant.

AVERTISSEMENT

Lorsque vous passez en marche arrière, assurez-vous qu'il n'y ait ni obstacle ni personne derrière vous et que la zone est sécuritaire. Lorsqu'il est sécuritaire de procéder, faites-le lentement.

Évitez une utilisation excessive de l'accélérateur en mode de limitation de vitesse, car cela peut entraîner une accumulation de carburant dans l'échappement, entraînant un éclatement du moteur et/ou des dommages au moteur.

CONDUITE ET OPÉRATION

REMARQUE

- Les indicateurs de changement de vitesse doivent s'afficher en fonction de la position réelle de l'engrenage. Si l'indicateur s'affiche pas, demandez à votre concessionnaire d'inspecter le circuit électrique du véhicule ou de régler le changement de vitesse.
- En raison du mécanisme de synchronisation du moteur, l'indicateur ne peut pas s'afficher jusqu'à ce que le véhicule soit en mouvement.
- N'utiliser pas de vitesse élevée pour un déplacement ou un remorquage continu à basse vitesse, car cela peut entraîner réchauffement excessif du système d'embrayage pouvant endommager les composants.

PRATIQUE ET CONDUITE EN TOUTE SÉCURITÉ

Responsabilités du conducteur

En tant que conducteur de ce véhicule, votre bon sens, votre jugement et vos capacités sont les seuls facteurs qui vous éviteront de vous blesser, de blesser les autres et/ou d'endommager votre véhicule ou l'environnement.

Randonnées récréatives, de groupe et longue distance

L'un des avantages de ce véhicule est qu'il peut vous conduire hors des sentiers battus, loin de la plupart des communautés. Gardez vos distances avec les zones désignées pour d'autres types d'utilisation, sauf si cela est spécifiquement autorisé. Ceci comprend les sentiers de motoneige, les sentiers équestres, les sentiers de ski de fond, les sentiers de vélo de montagne, etc. Joignez-vous à un club de VTT local. Un tel club peut vous fournir une carte et des conseils, ou vous informer sur les zones où vous pouvez circuler.

Gardez toujours une distance sécuritaire avec les autres véhicules devant et derrière vous lorsque vous circulez en groupe. Ne jamais conduire négligemment ou effectuer des manœuvres inattendues avec d'autres véhicules à proximité. Restez sur les sentiers désignés et les zones de VTT et découragez tout autre randonneur à circuler dans les zones interdites.

Évitez les accidents, les basculages et les renversements

Les côtes à côtes se comportent différemment des autres véhicules. Ils sont conçus pour circuler sur des terrains hors route (par exemple la bande de roulement et profondeur de rainures de leurs pneus, leur dégagement du sol, leur suspension, leur transmission, leurs pneus, etc.) et, par conséquent, ils peuvent se renverser dans des situations où des véhicules conçus principalement sur les surfaces pavées ou lisses ne le feraient pas.

PRATIQUE ET CONDUITE EN TOUTE SÉCURITÉ

Un renversement ou autre accident peut survenir rapidement lors de manœuvres brusques telles que :

- Virages serrés ou accélérations brusques.
- Décélération en virage.
- Lorsque vous conduisez sur des collines ou sur des obstacles.

Des manœuvres brusques ou une conduite agressive peuvent provoquer un renversement ou une perte de contrôle, même dans des espaces ouverts au terrain plat. Si le véhicule se renverse, n'importe quelle partie de votre corps (comme les bras, les jambes ou la tête) se trouvant à l'extérieur de l'habitacle peut être écrasée et coincée dans la cage ou autre partie du véhicule. Vous pouvez également être blessé par un impact avec le sol, la cabine ou un autre objet.

Pour réduire le risque de renversement :

- Soyez prudent lorsque vous tournez.
- Ajustez le maniement de la direction en fonction de votre vitesse et de votre environnement.
- Ralentissez à l'entrée d'un virage.
- Évitez de freiner brusquement lors d'un virage.
- Évitez les accélérations brusques ou agressives lors des virages, même au décollage ou à basse vitesse.
- Ne jamais tenter de beignes, dérapages, glissades, zigzagues, sauts ou autres cascades.
- Si le véhicule commence à déraper ou à glisser, diriger le volant dans la direction du dérapage ou de la glissade.
- Ne jamais freiner brusquement ou bloquer les roues

PRATIQUE ET CONDUITE EN TOUTE SÉCURITÉ

- Ce véhicule est conçu principalement à des fins HORS ROUTE. La conduite sur des surfaces pavées peut sérieusement affecter la maniabilité et le contrôle du véhicule. Si vous devez conduire sur ces surfaces, évitez les manoeuvres brusques sur le volant, l'accélérateur ou la pédale de frein.

Ce véhicule peut basculer sur le côté, vers l'avant ou vers l'arrière sur pente ou terrain accidenté :

- Évitez de traverser une pente latéralement (en conduisant le long de la pente plutôt qu'en montant ou descendant). Lorsque cela est possible, roulez tout droit en montée et en descente plutôt qu'en travers. Si vous devez traverser la pente latéralement, soyez extrêmement prudent et évitez les surfaces glissantes, les objets ou les dépressions. Si vous sentez que le véhicule commence à se renverser ou à glisser latéralement, diriger le volant vers la descente de la pente si possible.
- Évitez les pentes abruptes et suivez les procédures de ce manuel pour monter et descendre des pentes.
- Des changements soudains de terrain tels que des trous, des dépressions, des talus, un sol plus mou ou plus dur, ou toute autre irrégularité peuvent faire basculer le véhicule ou le rendre instable. Observez le terrain devant vous et ralentissez dans les zones de terrain accidenté

Ce véhicule se comportera différemment lors du transport ou du remorquage d'une charge :

- Réduisez la vitesse et suivez les instructions de ce manuel pour transporter ou remorquer une charge.
- Évitez les collines et les terrains accidentés.
- Accordez-vous plus de distance de freinage.

PRATIQUE ET CONDUITE EN TOUTE SÉCURITÉ

Soyez prêt en cas de renversement :

- Verrouillez les portes latérales ou les filets latéraux et attachez les ceintures de sécurité pour vous aider à éviter de sortir les bras ou les jambes de l'habitacle.
- Ne vous agrippez jamais à la cage pendant la randonnée. Les mains peuvent être écrasées entre la cage et le sol en cas de renversement. Gardez les mains sur le volant ou sur la poignée.
- N'essayez jamais d'empêcher un renversement en utilisant vos bras ou vos jambes. Si vous pensez que le véhicule peut basculer ou se renverser, le conducteur doit garder les deux mains sur le volant et les deux pieds fermement plantés au sol. Le passager doit garder les deux mains sur la poignée et les deux pieds fermement plantés au sol.

Éviter les collisions

À des vitesses plus élevées, il y a un risque accru de perte de contrôle, en particulier dans des conditions hors route difficiles, et le risque de blessure en cas de collision est plus grand. Ne jamais rouler à des vitesses excessives. Toujours rouler à une vitesse adaptée au terrain, à la visibilité, aux conditions de fonctionnement et à votre expérience. Ce véhicule n'a pas le même type de protection contre les collisions qu'une voiture ; par exemple, il n'y a pas de coussins gonflables, la cabine n'est pas entièrement fermée et elle n'est pas conçue pour les collisions avec d'autres véhicules. Par conséquent, il est particulièrement important de boucler sa ceinture de sécurité, de verrouiller les portes latérales ou les filets latéraux, et de porter un équipement de sécurité approprié.

PRATIQUE ET CONDUITE EN TOUTE SÉCURITÉ

Environnement

Les loisirs récréatifs de VTT sont un privilège. Conservez votre privilège en respectant l'environnement et les droits des autres d'en profiter également :

- Pourchasser les animaux sauvages est illégal. Les animaux peuvent mourir d'épuisement des suites d'une telle course.
- Évitez d'endommager volontairement le terrain sur lequel vous circulez, à moins que la zone ne soit désignée pour ce type d'activité.
- Respectez la règle « Ce que j'apporte, je le rapporte ». Évitez de polluer.

Exercez-vous !

Avant de sortir pour une randonnée, il est très important de vous familiariser avec la maniabilité de votre véhicule en pratiquant dans un environnement contrôlé. Trouvez un endroit approprié pour pratiquer et effectuer les exercices suivants. L'endroit devrait mesurer au moins 147 pi x 147 pi (45 m x 45 m) et être libre de tout obstacle tels que des arbres et gros rochers.

N'oubliez pas : évitez la haute vitesse tant que vous ne vous êtes pas entièrement familiarisé avec votre véhicule.

REMARQUE :

La sélection de transmission « Low » est recommandée pour tous les mouvements vers l'avant autres que les déplacements prolongés à haute vitesse. Ne jamais utiliser la vitesse « High » pour un déplacement ou un remorquage à basse vitesse, car ceci pourrait mener à une surchauffe du système d'embrayage, ce qui peut endommager les composants.

PRATIQUE ET CONDUITE EN TOUTE SÉCURITÉ

Exercice de virage

Le virage est l'une des causes les plus fréquentes d'accidents. Il est plus facile pour le véhicule de perdre sa traction ou se renverser si vous tournez trop brusquement ou avec une vitesse excessive. Ralentissez lorsque vous amorcez un virage.

Entraînez-vous à tourner :

- Répétez l'exercice de virage, mais, cette fois-ci, maintenez l'accélérateur au même niveau pendant le virage.
- Enfin, répétez les exercices de virage tout en accélérant lentement et graduellement.
- Entraînez-vous également à effectuer des virages vers la gauche. Remarquez comment votre véhicule se comporte pendant ces différents exercices. CFMOTO recommande de relâcher l'accélérateur avant d'entamer un virage afin de vous aider à entreprendre le changement de direction. Vous sentirez la force latérale augmenter avec la vitesse et avec votre direction. La force latérale doit être maintenue aussi faible que possible pour s'assurer qu'elle ne provoque pas le renversement du véhicule.

Remarquez comment votre véhicule se comporte pendant ces différents exercices. CFMOTO recommande de relâcher l'accélérateur avant d'entamer un virage afin de vous aider à entreprendre le changement de direction. Vous sentirez la force latérale augmenter avec la vitesse et avec votre direction. La force latérale doit être maintenue aussi faible que possible pour s'assurer qu'elle ne provoque pas le renversement du véhicule.

PRATIQUE ET CONDUITE EN TOUTE SÉCURITÉ

Exercice de virage en U

Exercez-vous à effectuer des virages en U :

- Accélérez lentement et, tout en restant à faible vitesse, tournez progressivement le volant jusqu'à ce que vous ayez effectué un demi-tour complet.
- Répétez l'exercice de virage en U en effectuant différentes manipulations du volant et toujours à très basse vitesse.
- Répétez l'exercice de virage en U vers la gauche

Comme mentionné précédemment dans ce guide, ne roulez pas sur des surfaces pavées. Le comportement du véhicule ne sera pas le même sur surface pavée, augmentant ainsi le risque de renversement.

Exercice de freinage

Entraînez-vous au freinage pour vous familiariser avec la réponse des freins :

- Entraînez-vous d'abord au freinage à basse vitesse, puis augmentez la vitesse.
- Entraînez-vous au freinage en ligne droite à différentes vitesses et différentes forces de freinage.
- Pratiquez le freinage d'urgence. Un freinage optimal est obtenu en ligne droite, en appliquant une force élevée et sans bloquer les roues

N'oubliez pas que la distance de freinage dépend de la vitesse du véhicule, de la charge, et du type de surface. De plus, la condition des pneus et des freins joue un rôle majeur.

PRATIQUE ET CONDUITE EN TOUTE SÉCURITÉ

Exercice de marche arrière

Entraînez-vous à utiliser la marche arrière :

- Placez un marqueur conique des deux côtés du véhicule, à côté de chaque roue arrière.
- Déplacez le véhicule vers l'avant jusqu'à ce que vous puissiez voir les marqueurs coniques derrière vous, puis arrêtez le véhicule. Apprenez à reconnaître la distance requise pour voir les obstacles derrière vous.
- Apprenez comment le véhicule se comporte en marche arrière et réagit avec les commandes de direction.
- Effectuez toujours cet exercice de marche arrière à basse vitesse.

Exercice d'arrêt d'urgence du moteur

Entraînez-vous à arrêter rapidement votre moteur en cas d'urgence :

- Lorsque vous roulez à basse vitesse, tournez simplement la clé de contact en position d'arrêt. Il s'agit de vous familiariser avec la réaction du véhicule lorsque le moteur est coupé pendant la conduite et de développer ce réflexe.

PRATIQUE ET CONDUITE EN TOUTE SÉCURITÉ

Conduire votre véhicule

Conduire hors-route

La nature même de la conduite hors route est dangereuse. Tout terrain qui n'a pas spécialement été préparé pour transporter des véhicules présente un danger inhérent où la substance, la forme et l'inclinaison du terrain sont imprévisibles. Le terrain lui-même présente un élément continu de danger, qui doit être sciemment accepté par quiconque s'y aventurant.

Un conducteur qui choisit de diriger son véhicule hors route doit toujours faire preuve de la plus grande prudence en sélectionnant le chemin le plus sûr et en surveillant de près le terrain devant lui. Ce véhicule ne doit jamais être utilisé par une personne qui n'a pas pleinement connaissance des instructions de conduite applicables au véhicule, ni être utilisé sur un terrain escarpé ou dangereux.

Conseils généraux de conduite

L'attention, la prudence, l'expérience et les compétences de conduite sont les meilleures précautions contre les risques liés à la conduite d'un véhicule. Chaque fois qu'il existe le moindre doute que le véhicule puisse franchir en toute sécurité un obstacle ou un terrain en particulier, choisissez toujours un autre itinéraire. En conduite tout terrain, ce sont la puissance et la traction qui sont importantes et non la vitesse. Ne conduisez jamais plus vite que le permettent la visibilité et votre capacité à choisir un itinéraire sûr. Ne jamais utiliser le véhicule si les commandes ne fonctionnent pas normalement. Consultez votre concessionnaire.

PRATIQUE ET CONDUITE EN TOUTE SÉCURITÉ

La conduite en marche arrière

Lorsque vous roulez en marche arrière, vérifiez toujours que le chemin derrière le véhicule est libre de toute personne ou obstacle. Portez attention aux angles morts. Lorsqu'il est sécuritaire de procéder, roulez lentement et évitez les virages serrés.

 AVERTISSEMENT
--

Les manipulations au volant en marche arrière augmentent le risque de renversement.
--

 AVERTISSEMENT
--

Lorsque vous descendez une pente en marche arrière, la gravité peut augmenter la vitesse de descente du véhicule au-delà de la limite de vitesse définie de la marche arrière. Le manque de prudence lors de la conduite en marche arrière peut entraîner de graves blessures, voire la mort.
--

REMARQUE :

Ce véhicule est muni d'un limiteur de vitesse en marche arrière. En effet, en marche arrière le régime moteur est limité, limitant ainsi la vitesse de recul du véhicule. Ne pas utiliser la marche arrière à plein régime. Maintenez l'accélérateur juste assez pour maintenir la vitesse souhaitée.

PRATIQUE ET CONDUITE EN TOUTE SÉCURITÉ

Traverser les routes pavées

Si vous devez traverser une route pavée, assurez-vous d'avoir une visibilité complète des deux côtés pour voir arriver le trafic et identifiez d'avance votre point de sortie de l'autre côté de la route. Conduisez en ligne droite vers ce point. N'effectuez pas de changements brusques de direction ou d'accélération brusques, car cela pourrait entraîner une situation de renversement. Ne circulez pas sur les trottoirs ou sur les pistes cyclables, car ils sont spécialement conçus pour ces usages.

Rouler sur les routes pavées

Évitez de rouler sur des surfaces pavées. Ce véhicule n'est pas conçu pour circuler sur des surfaces pavées et est plus susceptible de se renverser. Si vous devez conduire sur une chaussée pavée, tournez progressivement, circulez lentement et évitez les accélérations et les freinages brusques.

Traversée en eau peu profonde

L'eau peut constituer un danger particulier. Si elle est trop profonde, le véhicule peut « flotter » et basculer. Vérifiez toujours la profondeur de l'eau et le débit d'eau avant de tenter de traverser tout plan d'eau. La profondeur de l'eau ne doit pas dépasser 60 cm pour traverser l'obstacle en toute sécurité.

Méfiez-vous des surfaces glissantes telles que les rochers, l'herbe, les bûches, etc., à la fois dans l'eau et sur les rives. Une traction peut survenir. N'essayez pas de pénétrer dans l'eau à grande vitesse. L'eau affectera la capacité de freinage de votre véhicule. Assurez-vous de les assécher en les appliquant plusieurs fois à basse vitesse à votre sortie de l'eau.

Que faire si le véhicule est submergé

Si le véhicule est immergé, il sera nécessaire de le faire transporter chez votre concessionnaire dans les plus brefs délais. N'essayez pas de redémarrer le moteur, car l'eau peut avoir été ingérée dans les cylindres, ce qui peut provoquer des dommages internes.

PRATIQUE ET CONDUITE EN TOUTE SÉCURITÉ

Rouler dans la boue, la glace ou la neige

Lors d'une inspection pré-randonnée, portez une attention particulière aux endroits du véhicule, où peuvent survenir des accumulations de boue, de glace et/ou de neige peuvent gêner la visibilité des feux arrière, obstruer les ouvertures de ventilation, bloquer le radiateur et le ventilateur, et ainsi interférer avec le mouvement des commandes. Avant de démarrer votre véhicule, vérifiez que la direction, l'accélérateur et la pédale de frein fonctionnent sans interférence.

Chaque fois que ce véhicule roule sur un chemin couvert de neige ou de glace, l'adhérence des pneus est généralement réduite, ainsi le véhicule réagit différemment pour répondre aux manipulations du conducteur.

Rouler sur le sable

Le sable et la conduite sur des dunes sont une expérience unique, mais quelques précautions de base doivent être respectées. Le sable mouillé, profond ou fin peut créer une perte de traction et faire glisser, tomber ou s'embourber le véhicule. Si cela se produit, recherchez une base plus ferme. Encore une fois, le meilleur conseil est de ralentir et d'être attentif aux conditions.

Lorsque vous roulez sur des dunes, il est conseillé d'équiper le véhicule d'un drapeau de sécurité de type antenne. Cela aidera à rendre votre emplacement plus visible pour les autres sur la prochaine dune. Procédez avec prudence si vous voyez un autre drapeau de sécurité devant vous.

Rouler sur du gravier, de la gravelle ou d'autres surfaces glissantes

Rouler sur du gravier ou de la gravelle est très similaire à rouler sur de la glace. Ces surfaces affectent la direction du véhicule, ce qui peut le faire glisser et se renverser, surtout à grande vitesse. De plus, la distance de freinage peut être affectée. N'oubliez pas que le fait de donner des coups de gaz à répétition ou de glisser peut provoquer l'éjection de pierres vers l'arrière, ce qui pourrait être projeté sur d'autres personnes.

PRATIQUE ET CONDUITE EN TOUTE SÉCURITÉ

Traverser des obstacles

Les obstacles sur le sentier doivent être franchis avec prudence. Cela comprend les roches, les arbres tombés et les trous. Vous devez les éviter autant que possible. N'oubliez pas que certains obstacles sont trop grands ou dangereux pour être franchis et doivent être évités. À titre indicatif, ne tentez jamais de franchir un obstacle plus haut que la garde au sol du véhicule. Les petits rochers ou les petits arbres tombés peuvent être traversés en toute sécurité. Abordez les obstacles à basse vitesse et à un angle aussi droit que possible. Ajustez la vitesse sans perdre l'élan et évitez les accélérations brusques. Le passager doit saisir fermement la poignée et planter fermement ses pieds au sol.

La conduite en pente

Lorsque vous conduisez sur des collines ou des pentes, deux choses sont très importantes : soyez prêt pour les surfaces glissantes ou les variations de terrain et les obstacles, et accrochez-vous correctement à l'intérieur du véhicule. Si vous montez ou descendez une colline trop glissante ou dont la surface est trop lâche, vous pouvez perdre le contrôle. Si vous franchissez le sommet d'une colline à grande vitesse, vous n'aurez peut-être pas le temps de vous préparer au terrain de l'autre côté. Évitez de stationner sur une pente. Placez toujours le levier de vitesse sur la position « Park » et actionnez toujours le frein à main à l'arrêt ou en stationnement, particulièrement sur une pente, pour éviter de rouler. Si vous devez vous garer sur une pente raide et bloquer les roues du côté descente à l'aide de pierres ou d'un autre matériau approprié.

PRATIQUE ET CONDUITE EN TOUTE SÉCURITÉ

La conduite en amont

Utilisez toujours la vitesse «Low» pour la conduite en amont. En raison de sa configuration, ce véhicule a une très bonne traction même en amont, à tel point que le basculement est possible avant que la traction ne soit perdue. Par exemple, il est courant de rencontrer des situations de terrain où le sommet de la colline s'est érodé au point que le sommet de la colline s'élève très fortement. Ce véhicule n'est pas conçu pour négocier de telles conditions. Prenez un autre chemin.

Si vous sentez que la pente devient trop raide à monter, serrez les freins pour immobiliser le véhicule. Mettez le levier de vitesse en position «Reverse» et reculez en descendant tout droit, en relâchant à peine les freins pour rester à basse vitesse. N'essayez pas de vous retourner. Ne roulez jamais en aval lorsque le véhicule est au point mort. N'effectuez pas de freinage brusque, car cela augmente le risque de renversement

La conduite en aval

Ce véhicule peut gravir des pentes plus abruptes qu'il ne peut en descendre en toute sécurité. Par conséquent, il est essentiel de s'assurer qu'il existe un itinéraire sûr pour descendre une pente avant de la monter. La décélération lors de la négociation d'une descente glissante pourrait faire tourner le véhicule en position latérale et glisser. Maintenez une vitesse constante et/ou accélérez légèrement pour reprendre le contrôle. Ne jamais freiner brusquement et bloquer les roues.

PRATIQUE ET CONDUITE EN TOUTE SÉCURITÉ

Transport et remorquage d'une charge

Votre véhicule peut vous aider à effectuer un certain nombre de tâches légères différentes, allant du déneigement au remorquage de bois ou au transport de marchandises. Ceci peut modifier la maniabilité de votre véhicule. Pour éviter d'éventuelles blessures, suivez les instructions et les avertissements contenus dans ce guide et sur le véhicule lui-même. Respectez toujours les limites de charge du véhicule. Une surcharge du véhicule peut surcharger les composants et provoquer une panne.

Le transport des charges

La limite de charge du véhicule, incluant le poids du conducteur, du passager, de la charge, des accessoires et de l'attelage de la remorque (UFORCE 1000 : 1509 lb (685 kg) • UFORCE 1000 XL : 1455 lb (660 kg))

EXEMPLE DE RÉPARTITION APPROPRIÉE DE LA CHARGE TOTALE D'UN VÉHICULE				
Modèle	Operateur et passager	Charge de la boîte de chargement (incluant poids de l'attelage de remorque)	Accessoires	Charge totale du véhicule
UFORCE 1000	529 lb (240 kg)	772 lb (350 kg) 99 lb (45 kg)	209 lb (95 kg)	1509 lb (685 kg)
UFORCE 1000 XL	529 lb (240 kg)	772 lb (350 kg) 99 lb (45 kg)	154 lb (70 kg)	1455 lb (660 kg)
	1058 lb (480 kg)	352 lb (180 kg) 99 lb (45 kg)	0 lb (0 kg)	1455 lb (660 kg)

AVERTISSEMENT

Vous devez utiliser la basse vitesse si la charge utile totale est supérieure à 265 kg (584 lb).

PRATIQUE ET CONDUITE EN TOUTE SÉCURITÉ

Paramètres du véhicule lors du transport d'une charge

Si la charge totale approche se rapproche de la charge nominale du véhicule totale, incluant le poids du conducteur, du passager, de la charge, des accessoires et de l'attelage de la remorque :

- Gonflez les pneus à la pression maximale.
- Réajustez la précharge du ressort hélicoïdal de suspension en conséquence.
- Utilisez la vitesse « L » lorsque vous transportez de lourdes charges dans le coffre et/ou la remorque.

Répartition d'une charge

Votre véhicule a été conçu pour transporter ou remorquer une certaine quantité de charge. Toujours :

- Lire et comprendre les avertissements de répartition de charge répertoriés sur les étiquettes d'avertissement.
- Ne jamais dépasser les poids spécifiés.
- Le poids de la cargaison doit être monté aussi bas que possible.
- Lorsque vous travaillez sur un terrain en pente ou accidenté avec des charges ou une remorque chargée, réduisez la vitesse et le chargement pour maintenir des conditions de conduite stables.

Tirer ou remorquer une charge

Votre véhicule est équipé d'une prise d'attelage et d'un treuil pour remorquer ou tirer une charge.

PRATIQUE ET CONDUITE EN TOUTE SÉCURITÉ

Tirer une charge

- Ne tirez jamais une charge en la fixant à la cage. Cela pourrait faire basculer le véhicule. Utilisez uniquement l'attelage de la remorque ou le treuil (le cas échéant) pour tirer une charge.
- Lorsque vous tirez des charges avec une chaîne ou un câble, assurez-vous qu'il n'y a pas de jeu avant de démarrer et maintenez la tension pendant la traction.

 AVERTISSEMENT
--

Un jeu dans la chaîne ou le câble peut provoquer sa rupture brutale, qui pourrait revenir brusquement vers l'arrière et ainsi entraîner des blessures.

- Lorsque vous tirez une charge, respectez la capacité maximale de traction.
- Si vous tirez un autre véhicule, assurez-vous que quelqu'un contrôle le véhicule tiré. Ils doivent freiner et braquer pour éviter que le véhicule ne devienne incontrôlable.
- Réduisez votre vitesse lorsque vous tirez une charge et tournez progressivement pour éviter que les chaînes, sangles, cordes ou câbles ne s'accrochent aux roues arrière. Évitez les collines et les terrains accidentés. Ne tentez jamais de gravir une pente abrupte. Considérez plus de distance de freinage, en particulier sur les surfaces inclinées. Faites attention de ne pas déraper ou glisser.
- Avant de tirer des charges avec un treuil, reportez-vous au guide de l'utilisateur du treuil.

PRATIQUE ET CONDUITE EN TOUTE SÉCURITÉ

Le remorquage d'une charge

Si une remorque est utilisée derrière le véhicule, assurez-vous que son attelage est compatible avec celui du véhicule. Assurez-vous que la remorque est horizontale avec le véhicule. Utilisez des chaînes ou des câbles de sécurité pour maintenir la remorque fixée au véhicule en cas de défaillance de l'attelage.

Le chargement inadéquat d'une remorque peut entraîner une perte de contrôle. Respectez la capacité de traction maximale recommandée, ainsi que la capacité maximale de la flèche d'attelage. Assurez-vous qu'il y ait au moins un peu de poids sur la flèche d'attelage. Suivez ces directives pour le transport et le remorquage d'une charge :

AVERTISSEMENT

La surcharge du véhicule et le transport ou le remorquage incorrect d'une charge peuvent altérer la maniabilité du véhicule et entraîner une perte de contrôle ou une instabilité du freinage.

- Pour éviter l'usure de l'embrayage et les problèmes de courroie, utilisez toujours la vitesse «LOW» lorsque vous remorquez une charge.
- Réduisez votre vitesse lors du transport ou du remorquage d'une charge.
- Toutes les charges doivent être sécurisées avant utilisation. Les charges non sécurisées peuvent se déplacer et créer des conditions de fonctionnement instables, ce qui pourrait entraîner une perte de contrôle du véhicule.
- Lorsque vous conduisez sur un terrain en pente ou accidenté, réduisez la vitesse et la charge afin de maintenir des conditions de conduite stables.

PRATIQUE ET CONDUITE EN TOUTE SÉCURITÉ

- Soyez extrêmement prudent lorsque vous freinez avec un véhicule tirant une remorque chargée. Évitez les terrains ou les situations qui pourraient nécessiter un recul en descente.
- La répartition du poids de la charge doit être aussi bas que possible. Le transport d'une charge en hauteur augmente le centre de gravité et crée des conditions de fonctionnement instables. Réduisez le poids de la charge lorsque le centre de gravité de la cargaison est élevé.
- Faites preuve d'une extrême prudence et sécurisez la charge lorsque vous manipulez des charges excentrées qui ne peuvent être centrées.
- Lorsque vous conduisez avec une charge excédant la dimension de la boîte de chargement, la stabilité et la manœuvrabilité peuvent être défavorablement affectées et provoquer le renversement du véhicule.
- Le remorquage d'une charge pendant le transport de marchandises peut entraîner un déséquilibre qui augmente les risques de renversement du véhicule. Équilibrez les charges proportionnellement, mais ne dépassez pas la capacité de charge indiquée.
- Attachez toujours la remorque à l'aide du point d'attelage et de la quincaillerie spécialement conçus pour le remorquage.
- Ne dépassez jamais le poids d'attelage de remorquage recommandé.
- Il n'est pas recommandé d'utiliser des chaînes, des sangles, des cordes ou d'autres matériaux pour remorquer des objets, car ces articles pourraient se coincer dans les roues arrière, entraînant des dommages au véhicule ou des blessures.
- Pendant le remorquage, le véhicule ne doit jamais dépasser 16 km/h (10 mi/h) pour remorquer une charge sur surface plane. La vitesse du véhicule ne doit jamais dépasser 8 km/h (5 mi/h) lors du remorquage de charges sur un terrain accidenté, dans les virages ou en montant ou descendant une colline.

PRATIQUE ET CONDUITE EN TOUTE SÉCURITÉ

- À l'arrêt ou lorsque stationné, bloquez les roues du véhicule et de la remorque d'un éventuel mouvement.
- Soyez prudent lorsque vous déconnectez une remorque chargée; la remorque ou sa charge peut basculer sur vous ou sur d'autres..

CAPACITÉ MAXIMALE DE TRANSPORT			
Type d'accessoire	Charge de remorquage autorisée	Poids autorisé de remorquage	Remarque
2 po (51 mm X 51 mm) Support de boule d'attelage	1763 lb (800 kg)	99 lb (45 kg)	La remorque et la charge de la remorque sont incluses.

PRATIQUE ET CONDUITE EN TOUTE SÉCURITÉ

Fonctionnement du treuil

(marchés sélectionnés)

Votre véhicule peut être équipé d'un treuil qui peut tirer certaines capacités et types de charges. Il est utile pour l'auto-récupération du véhicule lorsqu'il est coincé, pour aider un autre véhicule à récupérer, déplacer les arbres tombés, enlever les broussailles, etc.

Envisagez de vous entraîner au fonctionnement et à l'utilisation de votre treuil avant d'avoir réellement besoin de l'utiliser.

Les avertissements de sécurité, les précautions d'utilisation et les instructions de cette section s'appliquent si votre véhicule est équipé d'un treuil ou si vous choisissez d'installer un treuil accessoire sur votre véhicule :

Avertissements de sécurité du treuil

Ces avertissements de sécurité s'appliquent si votre véhicule est équipé d'un treuil ou si vous choisissez d'installer un treuil accessoire sur votre véhicule :

- Lisez et comprenez toutes les sections de ce manuel.
- Une mauvaise utilisation du treuil ou le non-respect des directives, instructions et avertissements du treuil contenus dans ce manuel peuvent entraîner des BLESSURES GRAVES ou LA MORT.
- Un entretien et un service incorrects ou insuffisants du treuil peuvent entraîner des BLESSURES GRAVES ou LA MORT.
- Gardez toujours le corps, les cheveux, les vêtements et les bijoux à l'écart du câble du treuil, du guide-câble et du crochet pendant le fonctionnement du treuil.
- Gardez toujours la zone autour du véhicule, du treuil, du câble de treuil et de la charge à l'écart des personnes, des animaux domestiques et des distractions pendant le fonctionnement du treuil.

PRATIQUE ET CONDUITE EN TOUTE SÉCURITÉ

- Portez toujours des lunettes de protection et des gants épais pendant le fonctionnement du treuil.
- N'utilisez jamais d'alcool ou de drogues avant ou pendant l'utilisation du treuil.
- Ne laissez jamais des enfants de moins de 16 ans utiliser le treuil.
- N'essayez jamais de « secouer » une charge attachée au treuil en déplaçant le véhicule.
- Ne jamais treuiller vers le haut ou vers le bas, ou sur les côtés à des angles vifs. Cela peut déstabiliser le véhicule de treuil et éventuellement le faire bouger sans avertissement.
- N'essayez jamais de treuiller des charges qui pèsent plus que la capacité nominale du treuil.
- Ne jamais toucher, pousser, tirer ou chevaucher le câble pendant le treuil d'une charge.
- Ne laissez jamais le câble du treuil passer entre vos mains, même si vous portez des gants épais.
- Ne jamais relâcher le tambour du treuil lorsque le câble du treuil est sous charge.
- N'utilisez jamais le treuil pour soulever ou transporter des personnes.
- N'utilisez jamais le treuil pour lever ou suspendre une charge verticale.
- Ne rétractez jamais complètement le crochet dans le treuil. Cela peut endommager les composants du système.
- N'utilisez jamais le treuil ou le véhicule s'ils ont besoin d'être réparés ou entretenus.
- Mettez toujours le contacteur d'allumage sur OFF et débranchez la télécommande (le cas échéant) pour éviter une activation par inadvertance ou une utilisation non autorisée lorsque le véhicule ou le treuil ne sont pas utilisés.

PRATIQUE ET CONDUITE EN TOUTE SÉCURITÉ

Précautions d'utilisation du treuil

Ce véhicule est équipé d'un treuil, ou si vous choisissez d'installer un treuil accessoire sur votre véhicule :

- Inspectez toujours votre treuil et son câble avant chaque utilisation.
- Utilisez toujours la sangle à crochets fournie lorsque vous tirez ou guidez le câble vers l'intérieur. Ne saisissez jamais le crochet.
- Alignez toujours la charge directement devant le véhicule et treuil autant que possible. Évitez de treuiller avec le câble à un angle aigu par rapport à l'axe central du véhicule de treuillage dans la mesure du possible. Si le treuillage à un angle est inévitable, suivez ces précautions lors de l'utilisation:
 - A. Regardez le tambour du treuil de temps en temps. Ne laissez jamais le câble du treuil s'empiler ou s'accumuler à une extrémité du tambour. Trop de câble à une extrémité du tambour peut endommager le treuil et le câble.
 - B. Si un empilement de câbles se produit, arrêtez le treuillage. Suivez la section « Directives pour l'enroulement du câble du treuil » dans ce manuel pour redistribuer le câble uniformément avant de continuer.
- Toujours appliquer le frein de stationnement et/ou le mécanisme de stationnement du véhicule pour maintenir le véhicule en place pendant le treuillage. Utilisez des cales de roue si nécessaire.
- Maintenez toujours au moins cinq tours complets de câble enroulés autour du tambour du treuil à tout moment. La friction fournie par le câble enroulé permet au tambour de tirer sur le câble du treuil et de déplacer la charge.

PRATIQUE ET CONDUITE EN TOUTE SÉCURITÉ

- Ne jamais graisser ou huiler le câble du treuil. Cela amènera le câble du treuil à collecter des débris qui réduiront la durée de vie du câble.
- Le moteur du treuil et le connecteur du relais peuvent devenir chauds pendant une utilisation continue. Lors du treuillage pendant plus de 45 secondes, ou si le treuil cale pendant le fonctionnement, arrêtez-vous et laissez les composants du treuil refroidir pendant au moins 10 minutes avant de l'utiliser à nouveau.
- Ne jamais faire fonctionner le treuil sans faire tourner le moteur. Le système de charge du moteur aide à maintenir la batterie en bon état. La capacité de réserve de la batterie peut être rapidement épuisée par une utilisation intensive du treuil, rendant le système de démarrage inopérant.
- Travaillez toujours avec le souci de l'environnement. Ne pas endommager volontairement les arbres, etc.

Fonctionnement de base du treuil

- Suivez ces instructions d'utilisation si votre véhicule est équipé d'un treuil ou si vous choisissez d'installer un treuil accessoire sur votre véhicule. Lisez les **avertissements de sécurité du treuil** et les précautions d'utilisation du treuil dans les pages précédentes avant d'utiliser votre treuil.

PRATIQUE ET CONDUITE EN TOUTE SÉCURITÉ

AVANT DE COMMENCER

- Prenez votre temps pour réfléchir à l'opération de treuil que vous êtes sur le point d'effectuer.
 - Procédez lentement et délibérément.
 - Ne vous pressez jamais ou ne vous précipitez jamais pendant le treuillage.
 - Faites toujours attention à votre environnement.
 - Soyez prêt à changer votre stratégie de treuillage si elle ne fonctionne pas.
1. N'oubliez pas que bien que votre treuil soit très puissant, il existe simplement certaines situations que vous et le treuil ne pourrez pas gérer. N'ayez pas peur de demander de l'aide aux autres si nécessaire. Inspectez toujours le véhicule, le treuil, le câble et les commandes à la recherche de signes de dommages ou de pièces nécessitant une réparation avant chaque utilisation. Portez une attention particulière aux 3 premiers pieds (1 mètre) de câble de treuil si le treuil est utilisé (ou a été utilisé) pour soulever une charrue. Remplacez rapidement tout câble usé ou endommagé.
 2. Serrez le frein de stationnement et/ou le mécanisme de stationnement du véhicule pour maintenir le véhicule en place pendant le treuillage. Utilisez des cales de roue si nécessaire.
 3. Relâchez le tambour du treuil et tirez la longueur de câble requise. Utilisez toujours la sangle du crochet pour manipuler le crochet. Ne retirez jamais la sangle du crochet du crochet.

ATTENTION : Toujours maintenir un minimum de cinq (5) tours complets de câble autour du tambour du treuil à tout moment. Le frottement procuré par l'enroulement du câble permet au tambour de tirer sur le câble et de déplacer la charge.

4. Attachez le crochet à la charge ou utilisez une sangle ou une chaîne de remorquage pour fixer la charge au crochet du treuil. Ne jamais raccrocher le câble du treuil sur lui-même. Cela peut endommager le câble du treuil et entraîner une défaillance du câble.

PRATIQUE ET CONDUITE EN TOUTE SÉCURITÉ

AVERTISSEMENT : N'utilisez jamais de sangle de récupération pour le treuillage. Les sangles de récupération sont conçues pour s'étirer et pourraient libérer une énergie excessive pouvant entraîner des BLESSURES GRAVES ou LA MORT en cas de rupture de la sangle ou du câble du treuil. N'utilisez que des sangles de remorquage qui ne s'étirent pas.

5. Réengagez le tambour du treuil.
6. Treuillez lentement dans le mou du câble du treuil jusqu'à ce qu'il disparaisse, puis arrêtez-vous et suivez les instructions pour « l'amortissement du treuil » pour assurer un fonctionnement sûr :
 - A. Placez un amortisseur au milieu de la longueur du câble du treuil pour absorber l'énergie qui pourrait être libérée par une défaillance du câble du treuil. Un amortisseur peut être une veste lourde, une bâche ou tout autre objet mou et dense. Un amortisseur peut absorber une grande partie de l'énergie libérée si le câble casse pendant le treuillage. Même une branche d'arbre peut servir d'amortisseur si aucun autre élément n'est à votre disposition.
 - B. Posez l'amortisseur au-dessus du point médian de la longueur du câble du treuil.
 - C. Sur une longue traction, il peut être nécessaire d'arrêter le treuillage afin que l'amortisseur puisse être repositionné à un nouveau point médian. Relâchez toujours la tension sur le câble du treuil avant de repositionner l'amortisseur.
 - D. Dans la mesure du possible, évitez d'être directement aligné avec le câble du treuil. De plus, ne laissez jamais d'autres personnes se tenir à proximité ou en ligne avec le câble du treuil pendant le fonctionnement du treuil.
7. Arrêtez le treuillage dès que le travail est terminé ou que la charge peut être déplacée sans l'aide du treuil.
8. Détachez le crochet du treuil, puis enroulez le câble uniformément sur le tambour en suivant les instructions de ce manuel.

PRATIQUE ET CONDUITE EN TOUTE SÉCURITÉ

Méthodes de récupération de véhicule

Auto-récupération du véhicule :

- A. Relâchez le tambour du treuil et tirez la longueur de câble requise.
- B. Dans la mesure du possible, choisissez un point d'ancrage qui aligne le câble du treuil sur l'axe du véhicule aussi près que possible. Cela facilitera l'enroulement du câble du treuil et réduira la charge sur le guide-câble.
- C. Attachez le crochet du treuil à un point d'ancrage. **REMARQUE** : Si vous libérez un véhicule coincé en l'attachant à un arbre, utilisez un élément tel qu'une sangle de remorquage pour éviter d'endommager l'arbre pendant le fonctionnement du treuil. Les câbles et chaînes tranchants peuvent endommager et même tuer les arbres. Respectez toujours l'environnement.
- D. Réengagez le tambour du treuil.
- E. Treuil lentement dans tout mou dans le câble de treuil, puis amortissez-le.
- F. Passez au rapport le plus bas disponible qui propulsera le véhicule dans le sens du treuillage.
- G. Appliquez avec précaution la puissance du treuil et l'accélérateur ensemble pour libérer le véhicule.

ATTENTION : L'utilisation simultanée de l'accélérateur du véhicule et du treuillage présente un risque et est facultative. Placez le véhicule au point mort et utilisez uniquement le treuil si vous n'êtes pas sûr de vos capacités de fonctionnement.

- H. Arrêtez le treuillage dès que le véhicule coincé est capable de se propulser sans l'aide du treuil.
- I. Détachez le crochet du treuil, puis enroulez le câble uniformément sur le tambour en suivant les instructions de ce manuel.

PRATIQUE ET CONDUITE EN TOUTE SÉCURITÉ

ATTENTION : La SEULE fois qu'un véhicule équipé d'un treuil doit se déplacer et utiliser le treuil est pour l'auto-récupération. Le véhicule équipé d'un treuil ne doit JAMAIS utiliser un mouvement pour charger par un choc le câble du treuil dans le but de récupérer un deuxième véhicule coincé. Voir la section « Chargement des chocs du treuil » dans ce manuel pour plus d'informations.

Méthodes de récupération d'un autre véhicule

- A. Relâchez le tambour du treuil et tirez la longueur de câble nécessaire.
- B. Attachez le crochet du treuil au véhicule. Dans la mesure du possible, choisissez un point d'ancrage sur le véhicule coincé qui aligne le câble du treuil sur l'axe du véhicule de treuil aussi près que possible. Cela facilitera l'enroulement du câble du treuil et réduira la charge sur le guide-câble

ATTENTION : Ne jamais attacher le crochet du treuil à un élément de suspension, un pare-broussailles, un pare-chocs ou un porte-bagages. Des dommages au véhicule peuvent en résulter. Attachez toujours le crochet à la partie disponible la plus solide du châssis ou de l'attelage du véhicule.

- C. Réengagez le tambour du treuil.
- D. Treuillez lentement dans tout mou dans le câble de treuil, puis amortissez-le.
- E. Passez au rapport le plus bas disponible sur le véhicule coincé qui le propulsera dans le sens du treuillage.
- F. Appliquez avec précaution la puissance du treuil et l'accélérateur du véhicule coincé ensemble pour le libérer.
- G. Arrêtez le treuillage dès que le véhicule coincé est capable de se propulser sans l'aide du treuil.
- H. Détachez le crochet du treuil, puis enroulez le câble uniformément sur le tambour en suivant les instructions de ce manuel.

PRATIQUE ET CONDUITE EN TOUTE SÉCURITÉ

Entretien du câble du treuil

Inspectez toujours votre câble de treuil avant chaque utilisation pour déceler tout câble de treuil usé ou plié. N'utilisez jamais un câble endommagé. Suivez ces directives pour l'inspection et l'utilisation :

- Un câble de treuil fait de câble métallique qui est plié, déformé ou plié est définitivement et gravement endommagé. Cessez immédiatement d'utiliser un câble de treuil dans cet état. Un câble de treuil entortillé fait d'un câble métallique qui a été « redressé », même s'il peut sembler utilisable, a été définitivement et gravement endommagé. Il ne peut plus atteindre sa capacité de charge nominale. Cessez immédiatement d'utiliser un câble de treuil dans cet état.
- Un câble de treuil fait de corde synthétique doit être inspecté pour des signes d'effilochage. Remplacez le câble en cas d'effilochage. Cessez immédiatement d'utiliser un câble de treuil dans cet état.
- Remplacez le câble de treuil synthétique si des fibres fondues ou fondues sont découvertes. La corde synthétique sera rigide et apparaîtra lisse ou glacée dans la section endommagée. Cessez immédiatement d'utiliser un câble de treuil dans cet état.
- Ne remplacez jamais un câble de treuil synthétique par un câble en polymère de qualité grand public. N'utilisez que des câbles spécialement conçus pour le treuil.
- Ne jamais graisser ou huiler un câble de treuil à câble. Cela amènera le câble à collecter des débris qui réduiront la durée de vie du câble.
- N'utilisez jamais le treuil avec un crochet ou un loquet endommagé. Remplacez toujours les pièces endommagées avant d'utiliser le treuil.

AVERTISSEMENT : Remplacez le câble et les composants du treuil au premier signe de dommage afin d'éviter des BLESSURES GRAVES ou LA MORT en cas de bris.

PRATIQUE ET CONDUITE EN TOUTE SÉCURITÉ

Directives d'enroulement de câble de treuil

Une fois le treuillage terminé, en particulier si le treuillage est incliné, il peut être nécessaire de réenrouler le câble du treuil uniformément sur le tambour. Cela réduit les chances que le câble du treuil se « coince » entre les couches inférieures du câble. Vous aurez besoin d'un assistant pour effectuer cette tâche :

- A. Relâchez le tambour du treuil.
- B. Retirez le câble du treuil qui est enroulé de manière inégale sur le tambour.
- C. Réengagez le tambour du treuil.
- D. Demandez à un assistant de tirer fermement sur la sangle du crochet du câble du treuil pour appliquer environ 100 lb (45 kg) de tension.
- E. Treuiller lentement le câble pendant que l'assistant déplace l'extrémité du câble d'avant en arrière horizontalement pour le répartir uniformément sur le tambour.

Charge de choc du treuil

Votre treuil (si équipé) est conçu et testé pour résister aux charges produites lorsqu'il est utilisé à partir d'un véhicule à l'arrêt. Rappelez-vous toujours que le treuil, le câble et les composants ne sont PAS conçus pour résister aux chocs. Suivez ces directives :

- N'essayez jamais de « secouer » une charge avec le treuil. Par exemple, ne rattrapez jamais le mou du câble en déplaçant le véhicule de treuil pour tenter de déplacer un objet. Il s'agit d'une pratique dangereuse qui génère des charges élevées pouvant dépasser la résistance des composants. Même un véhicule lent peut créer une charge de choc importante qui peut causer des dommages.
- Ne jamais allumer et éteindre rapidement le treuil à plusieurs reprises. Il s'agit d'une forme de charge de choc. Cela exerce une charge supplémentaire sur les composants du treuil, le câble, et génère une chaleur excessive dans l'ensemble moteur et relais.

PRATIQUE ET CONDUITE EN TOUTE SÉCURITÉ

- Ne remorquez jamais un véhicule ou autre objet avec votre treuil. Le remorquage avec un treuil produit une charge de choc même lors du remorquage à basse vitesse. Le remorquage à partir du treuil positionne également la force de remorquage élevée sur le véhicule, ce qui peut provoquer une instabilité du véhicule et la possibilité d'un accident.
- N'utilisez jamais de sangles de récupération avec votre treuil. Il s'agit d'une forme de charge de choc. Les sangles de récupération sont conçues pour s'étirer et peuvent stocker de l'énergie. L'énergie stockée dans la sangle de récupération est libérée en cas de panne, ce qui rend l'événement encore plus dangereux. De même, n'utilisez jamais de cordes élastiques « bungee » pour le treuillage.
- N'utilisez jamais le treuil pour attacher le véhicule à une remorque ou à une autre unité de transport. Il s'agit d'une forme de charge de choc qui peut endommager les composants du treuil, le câble ou l'unité de transport.

ENTRETIEN

Entretien

Suivre le calendrier d'entretien de votre guide de l'utilisateur vous aidera à maintenir votre véhicule dans l'état le plus sûr et le plus fiable possible. La vérification, le réglage et la lubrification des composants importants sont expliqués dans les calendriers d'entretien.

Vérifiez, nettoyez, lubrifiez, ajustez et remplacez les pièces si nécessaire. Lorsque la vérification révèle le besoin de pièces de rechange, utilisez toujours des pièces d'origine disponibles auprès de votre concessionnaire.

REMARQUE :

Un entretien et des ajustements périodiques sont essentiels. Si vous n'êtes pas familiarisé avec l'exécution des procédures d'entretien et de réglage en toute sécurité, demandez à un concessionnaire qualifié d'effectuer l'entretien requis pour vous.

REMARQUE :

Faites particulièrement attention au niveau d'huile moteur pendant le fonctionnement par temps froid. Une élévation du niveau d'huile moteur peut indiquer que des contaminants s'accumulent dans le carter d'huile ou le carter. Changez l'huile immédiatement si le niveau d'huile commence à monter. Surveillez le niveau d'huile et, s'il continue d'augmenter, arrêtez l'utilisation et déterminez la cause ou consultez votre concessionnaire.

AVERTISSEMENT

Les procédures marquées « ■ » signifient que si une réparation est nécessaire, demandez à un concessionnaire agréé d'effectuer les réparations impliquant ce composant ou ce système. Une exécution incorrecte de la procédure peut entraîner une défaillance des composants et entraîner des blessures graves ou la mort.

ENTRETIEN

Définition d'utilisation abusive

CFMOTO définit l'utilisation abusive comme étant :

- Une immersion fréquente dans la boue, l'eau ou le sable
- De la course ou une utilisation à haute vitesse de style course
- Une conduite prolongée à basse vitesse et lourde charge
- Un fonctionnement prolongé à faible régime moteur
- Une utilisation de courte durée par temps froid
- Une utilisation dans des opérations commerciales

Si l'utilisation de votre véhicule correspond à l'une de ces définitions, réduisez les intervalles d'entretien de 50 %.

ENTRETIEN

Calendrier d'entretien périodique et icône clé

Les intervalles d'entretien dans les programmes suivants sont basés sur des conditions de conduite moyennes et une vitesse de fonctionnement moyenne d'environ 20 km/h (12,4 mi/h). Les véhicules soumis à une utilisation sévère ou commerciale doivent être inspectés et entretenus plus fréquemment.

Les touches d'icônes suivantes sont utilisées pour noter des circonstances spéciales :

- ▶ = Article à usage intensif. Réduisez l'intervalle de 50 % sur les véhicules soumis à une utilisation intensive.
- = Ce composant ou ce système doit être réparé par un concessionnaire autorisé.
- = Composants liés aux émissions. Demandez à un concessionnaire autorisé d'effectuer les réparations impliquant ce composant ou ce système.

AVERTISSEMENT

Les procédures marquées « ■ » signifient que si une réparation est nécessaire, demandez à un concessionnaire autorisé d'effectuer les réparations qui impliquent ce composant ou système. Une exécution incorrecte de la procédure peut entraîner une défaillance des composants et des blessures graves ou mortelles.

ENTRETIEN

Points clés du calendrier de lubrification

Vérifiez tous les composants aux intervalles indiqués dans le programme d'entretien périodique. Les éléments non répertoriés dans le calendrier de lubrification doivent être lubrifiés à l'intervalle de lubrification générale.

- Changez les lubrifiants plus souvent en cas d'utilisation sévère, par exemple dans des conditions humides ou poussiéreuses.
- Utilisez de la graisse toutes saisons sur les points de pivot.
- Lubrifiez tous les 800 km (500mi), avant de longues périodes d'entreposage, après le nettoyage ou après immersion du système d'entraînement.

Item	Lubrifiant	Méthode
Huile à moteur	SAE 10W-40/SAE 5W-40/ SAE 15W-40 <small>(Voir page 293 pour le tableau de viscosité d'huile)</small>	Dévissez, nettoyez, insérez et retirez la jauge pour vérifier le niveau d'huile
Huile à transmission	SAE 75W-90 GL-5	Dévissez, nettoyez, insérez et retirez la jauge pour vérifier le niveau d'huile
Liquide de freins	DOT4	Maintenez le niveau entre les lignes supérieures et inférieures
Huile de carter avant	SAE 80W-90 GL-5	Capacité d'huile : 8,5 oz. (250 ml)
Huile de carter arrière	SAE 80W-90 GL-5	Capacité d'huile : 13,5 oz. (400 ml)
Pivots de suspension et transmission	Huile toutes saisons	Pistolet à huile - Pompez l'huile jusqu'à ce qu'elle commence à s'écouler du point de pivotement

ENTRETIEN

Liste de vérification pré-randonnée

Toujours vérifier les points suivants avant de partir avec votre véhicule :

Item		Entretien pré-randonnée			
		Heures	Calendrier	Miles (km)	Remarque
■	Système de direction	-	Pre-Randonnée	-	Inspectez visuellement ou vérifiez les composants. Effectuez les ajustements et/ou réparations si nécessaires.
■	Retour des gaz	-	Pre-Randonnée	-	
	Suspension avant et essieux	-	Pre-Randonnée	-	
	Suspension arrière et essieux	-	Pre-Randonnée	-	
	Pneus	-	Pre-Randonnée	-	
	Niveau du liquide de frein	-	Pre-Randonnée	-	
	Fonction levier/pédale de frein	-	Pre-Randonnée	-	
	Fonction système de frein	-	Pre-Randonnée	-	
	Roues/attaches	-	Pre-Randonnée	-	
	Niveau d'huile à moteur	-	Pre-Randonnée	-	
▶	Filtre à air/Boîte à air et connexions		Pre-Randonnée	-	Inspectez visuellement. Remplacez le filtre, lorsque sale.

ENTRETIEN

Item		Entretien pré-randonnée			
		Heures	Calendrier	Miles (km)	Remarque
▶	Tube à sédiments boîte à air	-	Pre-Randonnée	-	Vérifiez. Si des dépôts sont visibles, nettoyez les tubes d'admission, la boîte à air et remplacez le filtre à air.
▶	Tube à sédiments CVT	-	Pre-Randonnée	-	Inspectez si des dépôts sont visibles, nettoyez la CVT ou faites-la vérifier par votre concessionnaire.
■	Visée de phare/Éclairage général et clignotants (si équipé)	-	Pre-Randonnée	-	Vérifiez. Ajustez ou remplacez les lumières lorsque nécessaire.
▶	Radiateur	-	Pre-Randonnée	-	Vérifiez la présence de boue ou de débris bloquant le flux d'air. Nettoyez les surfaces si nécessaire.

- ▶ = Article à usage intensif. Vérifiez souvent les véhicules soumis à une utilisation sévère.
- = Ce composant ou ce système doit être réparé par un concessionnaire autorisé.
- = Composants liés aux émissions. Demandez à un concessionnaire autorisé d'effectuer les réparations impliquant ce composant ou ce système.

ENTRETIEN

Liste d'entretien - Période de rodage

Effectuez les tâches de maintenance suivantes durant la période de rodage :

Item		Entretien pendant la période de rodage (Effectuez à l'intervalle qui survient en premier)			
		Hre	Calendrier	Miles (km)	Remarque
	Lubrification générale	20	-	200 (320)	Lubrifiez tous les points de graissage, pivots, câbles, etc.
	Huile moteur / filtre / crépine	20	-	200 (320)	Changez l'huile et le filtre. Nettoyez la crépine d'huile.
▶	Filtre à air du moteur	20	-	200 (320)	Vérifiez, remplacez si nécessaire; ne pas nettoyer.
■	Jeu des soupapes du moteur	20	-	200 (320)	Vérifiez et ajustez si nécessaire.
	Huile de carter avant/arrière	20	-	200 (320)	Vérifiez le niveau. Surveillez pour des fuites.
	Liquide de refroidissement	20	-	200 (320)	Vérifiez le niveau. Surveillez pour des fuites.
	Huile à transmission	20	-	200 (320)	Vérifiez le niveau.
	Tuyaux, joints et joints d'étanchéité moteur	20	-	200 (320)	Surveillez pour des fuites.
▶	Plaquettes de frein	20	-	200 (320)	Vérifiez l'épaisseur des plaquettes.

ENTRETIEN

Item		Entretien pendant la période de rodage (Effectuez à l'intervalle qui survient en premier)			
		Hre	Calendrier	Miles (km)	Remarque
	Batterie	20	-	200 (320)	Vérifiez les bornes, nettoyez, testez l'état de la batterie si nécessaire.
■	Condition du régime ralenti du moteur	20	-	200 (320)	Vérifiez que le régime moteur est adéquat. Consultez un concessionnaire si le T/MN est hors spécifications ou instable.
■	Alignement / direction des pneus	20	-	200 (320)	Vérifiez le système de direction. Consultez votre concessionnaire si un alignement est nécessaire.
▶	Pédale de frein / Frein de stationnement	20	-	200 (320)	Vérifiez qu'ils fonctionnent. Ajustez au besoin.
	Boite de vitesse, arbres CV et arbre	20	-	200 (320)	Surveillez pour des fuites.

- ▶ = Article à usage intensif. Vérifiez souvent les véhicules soumis à une utilisation sévère.
- = Ce composant ou ce système doit être réparé par un concessionnaire autorisé.
- = Composants liés aux émissions. Demandez à un concessionnaire autorisé d'effectuer les réparations impliquant ce composant ou ce système.

ENTRETIEN

Liste d'entretien périodique

Après la période de rodage, vérifiez les points suivants à l'intervalle qui survient en premier :

Item		Intervalles d'entretien périodique (Effectuez à l'intervalle qui survient en premier)			
		Hre	Calendrier	Miles (km)	Remarque
▶	Plaquettes de frein	10	1M	100 (160)	Vérifiez l'épaisseur des plaquettes.
	Batterie	20	--	200 (320)	Vérifiez les bornes, nettoyez, testez l'état de la batterie si nécessaire.
	Tuyaux, joints et joints d'étanchéité moteur	20	--	200 (320)	Surveillez pour des fuites.
▶	Filtre à air	50	--	500 (800)	Toujours vérifiez en pré-randonnée. Vérifiez fréquemment si le véhicule est sujet à une utilisation abusive. Remplacez si sale. Ne pas nettoyer.
▶	Lubrification générale	50	3M	500 (800)	Lubrifiez tous les points de graissage, pivots, câbles, etc.
▶	Huile de carter avant	100	12M	1000 (1600)	Vérifiez le niveau. Changez sur une base annuelle si aucun intervalle ne survient.

ENTRETIEN

Item		Intervalles d'entretien périodique (Effectuez à l'intervalle qui survient en premier)			
		Hre	Calendrier	Miles (km)	Remarque
▶	Huile de carter arrière	100	12M	1000 (1600)	Vérifiez le niveau. Changez sur une base annuelle si aucun intervalle ne survient.
▶	Huile moteur, filtre, crépine	100	12M	1000 (1600)	Surveillez pour tout changement de couleur. Remplacez si sale et nettoyez la crépine. Changez sur une base annuelle si aucun intervalle ne survient.
▶	Système de refroidissement	50	6M	500 (800)	Vérifiez la résistance du système de refroidissement. Vérifiez la pression annuellement.
▶	Radiateur	50	6M	500 (800)	Vérifiez, nettoyez les surfaces externes. Nettoyez plus souvent si sujet à utilisation intensive.

- ▶ = Article à usage intensif. Vérifiez souvent les véhicules soumis à une utilisation sévère.
- = Ce composant ou ce système doit être réparé par un concessionnaire autorisé.
- = Composants liés aux émissions. Demandez à un concessionnaire autorisé d'effectuer les réparations impliquant ce composant ou ce système.

ENTRETIEN

Item		Intervalles d'entretien périodique (Effectuez à l'intervalle qui survient en premier)			
		Hre	Calendrier	Miles (km)	Remarque
■	Système de direction	50	6M	500 (800)	Vérifiez. Lubrifiez.
▶	Suspension avant	50	6M	500 (800)	Lubrifiez. Vérifiez les attaches.
▶	Suspension arrière	50	6M	500 (800)	Lubrifiez. Vérifiez les attaches.
▶	Levier de vitesse	50	1M	500 (800)	Vérifiez, lubrifiez, ajustez si requis.
▶ ■	Boitier papillon/ Câble de l'accélérateur	50	6M	500 (800)	Vérifiez. Nettoyez les dépôts de carbone. Vérifiez le câble et le lubrifier souvent s'il est soumis à une utilisation intensive.
▶ ■	Courroie d'entraînement CVT	100	12M	1000 (1600)	Vérifiez. Remplacez si nécessaire. Consultez un concessionnaire pour service.
■	Entraînement CV et poulies	100	12M	1000 (1600)	Nettoyez et vérifiez les poulies. Remplacez les pièces usées. Consultez un concessionnaire pour service.

ENTRETIEN

Item		Intervalles d'entretien périodique (Effectuez à l'intervalle qui survient en premier)			
		Hre	Calendrier	Miles (km)	Remarque
	Filtre et boyaux de carburant	100	24M	2000 (3200)	Vérifiez l'acheminement et l'état général. Remplacez filtre et boyaux haute pression tous les 4 ans.
	Boyaux de refroidissement	100	—	1000 (1600)	Vérifiez l'acheminement et l'état général.
▶	Jeu des soupapes	100	—	2000 (3200)	Vérifiez et ajustez si nécessaire. Consultez un concessionnaire pour service.
●	Système de carburant	100	12M	500 (800)	Vérifiez le réservoir, bouchon, pompe et relai de pompe.
	Bougies d'allumage	100	24M	2000 (3200)	Vérifiez. Remplacez si usées / encrassées.
■	Supports de moteur	100	12M	1500 (2400)	Vérifiez la condition.

- ▶ = Article à usage intensif. Vérifiez souvent les véhicules soumis à une utilisation sévère.
- = Ce composant ou ce système doit être réparé par un concessionnaire autorisé.
- = Composants liés aux émissions. Demandez à un concessionnaire autorisé d'effectuer les réparations impliquant ce composant ou ce système.

ENTRETIEN

Item		Intervalles d'entretien périodique (Effectuez à l'intervalle qui survient en premier)			
		Hre	Calendrier	Miles (km)	Remarque
	Tuyeau d'échappement et pare-étincelles	100	12M	500 (800)	Vérifiez. Nettoyez le pare-étincelles.
▶	Câblage, fusibles, connecteurs, relais et câbles	100	12M	1000 (1600)	Vérifiez le parcours du câblage pour toute usure. Si nécessaire, appliquez un lubrifiant diélectrique sur les connecteurs soumis à l'eau, à la boue, etc.
▶ ■	Roulements de moyeu des roues	100	12	1500 (2400)	Vérifiez pour tout bruit ou relâchement. Remplacez si nécessaire.
▶	Ceintures de sécurité	100	12	2000 (3200)	Vérifiez visuellement les courroies et les loquets. Nettoyez le mécanisme de verrouillage plus souvent si utilisé dans des conditions intenses.
▶	Huile à transmission (Moteur 1000)	200	12	2000 (3200)	Vérifiez le niveau. Changer chaque année si vous ne rencontrez aucun des deux intervalles.
	Liquide de refroidissement	200	24	4000 (6400)	Changez le liquide de refroidissement tous les 2 ans si vous ne rencontrez aucun des deux intervalles.

ENTRETIEN

Item		Intervalles d'entretien périodique (Effectuez à l'intervalle qui survient en premier)			
		HRE	Calendrier	Miles (km)	Remarque
▶	Liquide de frein	200	24M	1000 (1600)	Vérifiez le liquide de frein pour tout changement de couleur. Changez le liquide tous les deux ans.
	Condition du mode ralenti du moteur	—	12M	—	Vérifiez que le régime moteur est adéquat. Consultez un concessionnaire si le T/MN est hors spécifications ou erratique.
■	Alignement direction/roues	—	12M	—	Vérifiez le système de direction. Consultez votre concessionnaire si des pièces ou un alignement sont nécessaires.
▶	Hauteur de la pédale de frein	—	12M	—	Vérifiez. Remplacez les plaquettes de frein ou ajustez la hauteur au besoin.

- ▶ = Article à usage intensif. Vérifiez souvent les véhicules soumis à une utilisation sévère.
- = Ce composant ou ce système doit être réparé par un concessionnaire autorisé.
- = Composants liés aux émissions. Demandez à un concessionnaire autorisé d'effectuer les réparations impliquant ce composant ou ce système.

ENTRETIEN

Procédure d'entretien

Filtre à air

Vérifiez et changez le filtre à air aux intervalles indiqués dans le calendrier d'entretien. L'élément du filtre à air doit être nettoyé ou remplacé plus souvent si le véhicule est utilisé dans des zones extrêmement poussiéreuses ou humides. Chaque fois que l'entretien du filtre à air est effectué, assurez-vous que l'entrée d'air du boîtier de filtre à air est libre de tout obstruction ou débris. Vérifiez l'étanchéité du joint de caoutchouc du boîtier papillon et des raccords du collecteur. Vérifiez que tous les raccords sont sécurisés pour éviter que tout air non filtré puisse pénétrer dans le moteur.

Vérification du boîtier du filtre à air

Il y a un tuyau de contrôle (1) au bas du boîtier du filtre à air. Si vous voyez de la poussière ou de l'eau dans ce tuyau, videz-le et nettoyez soigneusement le boîtier du filtre à air.

REMARQUE :

Si une grande quantité d'eau est présente dans le filtre à air, demandez à votre concessionnaire de vérifier si de l'eau pénètre dans le carter du moteur.

ENTRETIEN

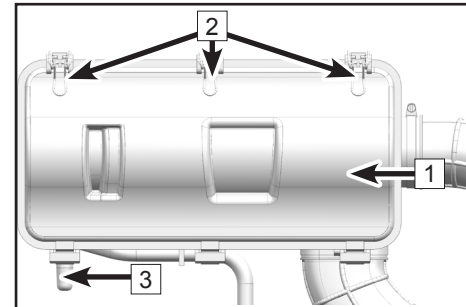
Entretien du filtre à air

1. Soulevez la boîte de chargement arrière.
2. Desserrez le fermoir et retirez le couvercle du filtre à air.
3. Retirez l'élément filtrant en papier.
4. Vérifiez le filtre papier et confirmez qu'il peut être réinstallé. Brossez doucement la poussière accumulée si nécessaire. Installez un nouveau filtre si nécessaire.

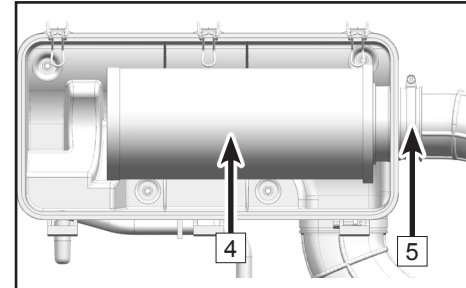
REMARQUE :

Ne tentez jamais de nettoyer le filtre en papier, ni de nettoyer le média filtrant en papier avec de l'air comprimé.

5. Appliquez une fine pellicule de lubrifiant sur le diamètre intérieur du joint de caoutchouc du filtre à air.
6. Réinstallez le couvercle du boîtier du filtre à air. Vérifiez que le couvercle est installé correctement et se scelle correctement.



1	Couvercle boîtier filtre à air	
2	Fermoir	3 Tube vérification



4	Élément filtrant en papier	5	Couvercle, attache à ressort
---	----------------------------	---	------------------------------

ENTRETIEN

Séchage du boîtier du filtre à air après immersion

Si de l'eau a pénétré le boîtier du filtre à air, vidangez-le, retirez le filtre à air et séchez soigneusement les composants. N'utilisez pas d'air comprimé sur le filtre à air en papier. Contactez votre concessionnaire en cas de problèmes de performance du véhicule.

ATTENTION

Ne jamais faire tourner le moteur sans élément de filtre à air. L'air non filtré pénétrant dans le moteur peut causer de l'usure ou l'endommager. Conduire sans filtre à air diminuera également la performance du moteur et peut entraîner une surchauffe.

ATTENTION

Des dommages importants peuvent être causés au moteur du véhicule si de l'eau pénètre dans le boîtier du filtre à air et le moteur lui-même. Faites rapidement réparer le véhicule par votre concessionnaire si votre véhicule est immergé ou cale dans une eau dont le niveau dépasse le bas du repose-pied. Il est important de contacter votre concessionnaire pour un entretien avant de redémarrer le moteur, car de l'eau peut avoir pénétré dans la boîte à air et le moteur.

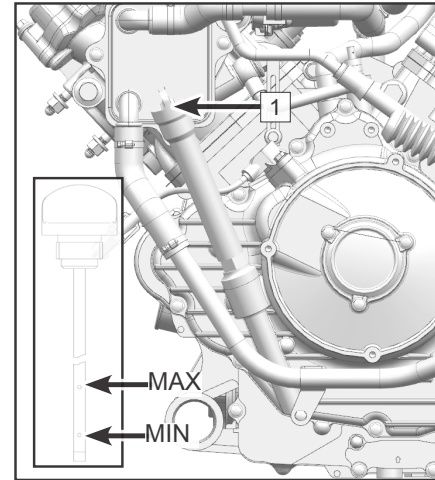
ENTRETIEN

Huile à moteur

Toujours vérifier et changer l'huile moteur aux intervalles indiqués dans le calendrier d'entretien. Changez l'huile plus fréquemment dans des conditions d'utilisation sévères.

Vérifiez l'huile à moteur

1. Placez le VTT sur une surface plane.
2. Démarrez le moteur et laissez-le tourner au ralenti pendant 20-30 secondes. Arrêtez le moteur.
3. Attendez quelques minutes pour que l'huile se stabilise dans le carter.
4. Soulevez la boîte de chargement arrière pour accéder à la jauge d'huile moteur.
5. Dévissez la jauge à l'huile, puis essuyez-la avec un chiffon propre.
6. Insérez la jauge dans l'orifice de remplissage d'huile, puis retirez-la à nouveau pour vérifier le niveau d'huile.



1 | Jauge à l'huile, moteur

REMARQUE

Maintenez le niveau d'huile entre les indicateurs MIN et MAX de la jauge.

7. Si le niveau d'huile est sous l'indicateur MIN, ajoutez de l'huile jusqu'au niveau approprié.
8. Réinstallez la jauge dans l'orifice de remplissage d'huile et serrez-la à la main.
9. Réinstallez la plaque du trou de service derrière le siège du passager.

ENTRETIEN

Pour changer l'huile moteur

1. Démarrez le moteur et laissez-le se réchauffer pendant (2 ~ 3) minutes, puis arrêtez le moteur.
2. Placez un carter d'huile sous le moteur pour récupérer l'huile usagée, puis retirez la jauge.
3. Retirez le boulon de vidange d'huile moteur (1) pour vidanger l'huile du carter.

Pour changer le filtre à l'huile

1. Retirez les 3 boulons d'huile moteur (1), ouvrez le couvercle du filtre (2) pour retirer le filtre.
2. Remplacez par le nouveau filtre à huile (3).

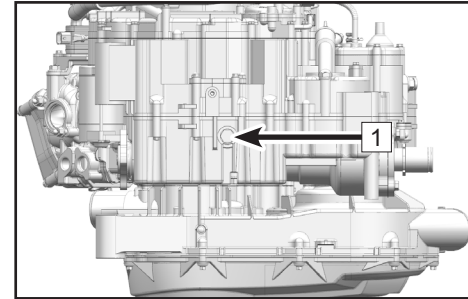
REMARQUE

Assurez-vous que le joint torique (4) est correct et bien installé dans le boîtier.

3. Installez le nouveau filtre à huile (3) et fixez les 3 boulons (1) dans le couvercle du filtre à l'huile (2). Serrez-le au couple spécifié.

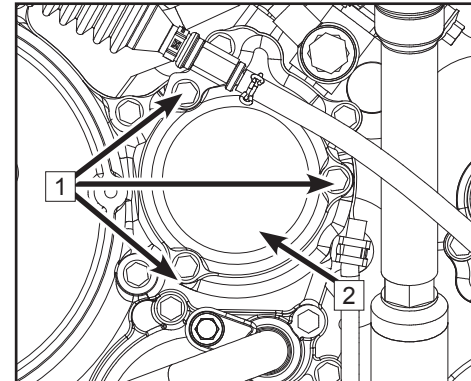
NOTE

Couple de serrage du boulon d'huile moteur (1) : 7,3 lb-pi. (10 N · m)



1

Boulon de vidange



1

Boulon
d'huile moteur

2

Couvercle
du filtre à air

ENTRETIEN

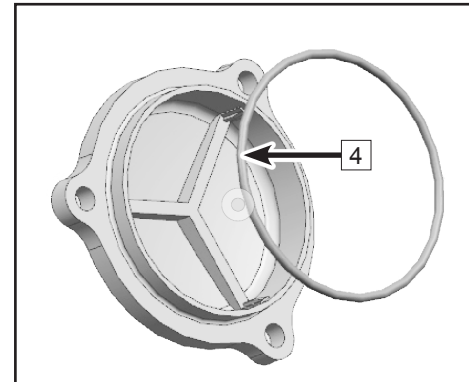
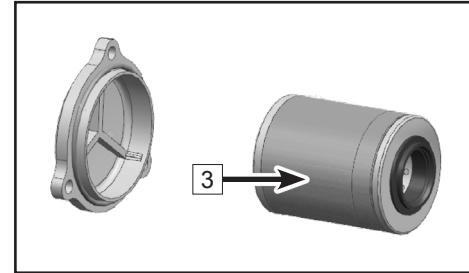
1. Utilisez une nouvelle rondelle de boulon de vidange et serrez-la au couple spécifié.

REMARQUE
Couple de serrage du boulon de vidange : 22 lb-pi. (30 N · m)

2. Ajouter l'huile recommandée jusqu'au niveau spécifié, puis visser la jauge à l'huile.

REMARQUE
Capacité d'huile avec remplacement du filtre à huile : 84,5 oz (2,5 L)

3. Démarrez le moteur et laissez-le se réchauffer pendant quelques minutes. Vérifiez pour des fuites d'huile lorsque le moteur est chaud. Arrête le moteur immédiatement en cas de fuites d'huile.
4. Arrêtez le moteur et vérifiez le niveau du moteur. Révissez si nécessaire.

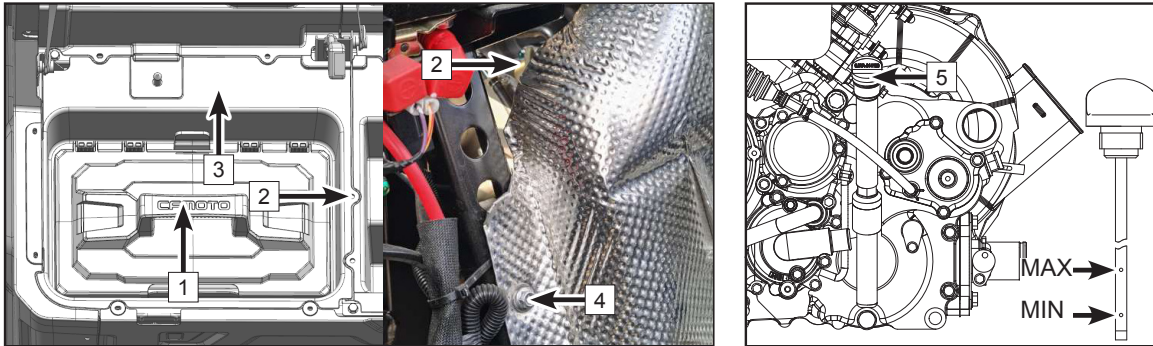


3	Filtre à l'huile	4	Joint torique
---	------------------	---	---------------

ENTRETIEN

Huile à transmission Vérification du niveau d'huile

1. Placez le véhicule sur une surface plane.
2. Si le moteur était en marche, attendez suffisamment de temps pour permettre à l'huile de décanter et refroidir.
3. Retirez le siège passager et le coffre de rangement (1), retirez la goupille en plastique (2), puis retirez le panneau d'accès (3) en le tirant vers le côté conducteur.
4. Retirez le boulon et la rondelle (4), déplacer la plaque d'isolation thermique pour trouver la jauge à l'huile de transmission (5).
5. Dévissez la jauge à l'huile de transmission (5), retirez-la et essuyez-la avec un chiffon propre.
6. Insérez la jauge dans l'orifice de remplissage d'huile. Ne le réinstallez pas complètement.
7. Retirez la jauge et vérifiez l'indication du niveau d'huile.
Maintenez le niveau d'huile entre les indicateurs supérieur et inférieur.
8. Réinstallez la jauge dans l'orifice de remplissage d'huile et la serrer à la main.
9. Réinstallez le panneau d'accès et remettre le siège passager dans sa position d'origine verrouillée.



ENTRETIEN

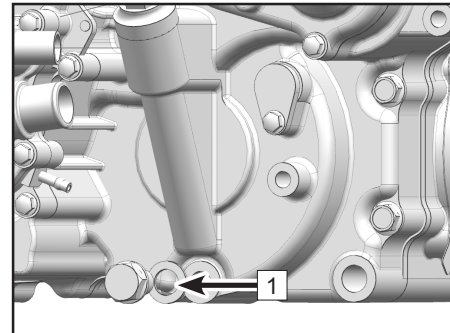
Changement d'huile

1. Placez le véhicule sur une surface plane.
2. Si le moteur était en marche, attendez suffisamment de temps pour que l'huile se stabilise et refroidisse.
3. Placez un carter d'huile sous le moteur pour récupérer l'huile usée.
4. Retirez la jauge d'huile.
5. Retirez le boulon de vidange d'huile de transmission au bas de l'emplacement de remplissage d'huile et vidangez l'huile.
6. Placez une nouvelle rondelle d'étanchéité sur le boulon de vidange, puis assemblez et serrez le boulon de vidange à **22 lb-pi (30 N • m)**.
7. Ajoutez la quantité spécifiée d'huile de transmission recommandée à l'emplacement de la jauge à l'huile de transmission, puis réinstallez la jauge et serrez-la à la main.

REMARQUE :

Type d'huile de transmission

Capacité SAE75W / 90GL-5, 20 oz (0,6 L).



1 | Boulon de vidange, Transmission

ENTRETIEN

Réglage du train

Les jeux de soupapes d'admission et d'échappement changent avec l'utilisation du véhicule, ce qui peut entraîner une mauvaise alimentation en carburant/air ou des bruits de moteur. Pour éviter ceci, les jeux de soupapes doivent être ajustés selon le calendrier d'entretien. Ce réglage doit être effectué par un technicien professionnel. Contactez votre concessionnaire pour le service.

REMARQUE :

Jeu des soupapes d'admission du moteur (moteur froid) : **.0,0024 po ~ 0,0055 po (0,06mm ~ 0,14mm)**

Jeu des soupapes d'échappement du moteur (moteur froid) : **.0,0043 po ~ 0.0075 po (0,11mm ~ 0,19mm)**

Vitesse de ralenti du moteur

Ce véhicule est muni d'un système électronique d'injection de carburant. Le boîtier papillon est une partie vitale du système de carburant qui nécessite un réglage très sophistiqué effectué en usine. Il n'y a aucune disposition pour que les consommateurs règlent eux-mêmes le régime de ralenti du moteur. Si les réglages sont perturbés, ceci pourrait causer de mauvaises performances du moteur et par le fait même des dommages. Vérifiez que la vitesse de ralenti du moteur reste stable et contactez votre concessionnaire pour un entretien si nécessaire.

ENTRETIEN

Carter d'engrenage avant et arrière

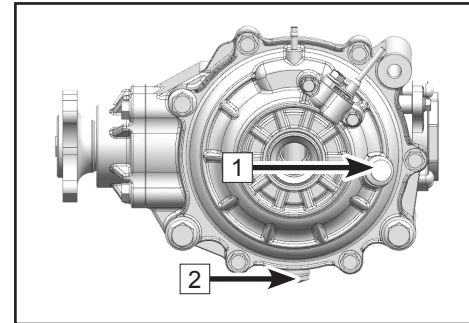
Les carters d'engrenages doivent être vérifiés pour des fuites d'huile avant chaque sortie. Si une fuite d'huile est détectée, contactez votre concessionnaire pour vérification et réparation du véhicule.

Vérification de l'huile du carter avant

1. Placez le véhicule sur une surface plane.
2. Retirez le bouchon de vidange (1) et vérifiez le niveau d'huile. Le niveau doit être jusqu'au bord du trou. Si le niveau est bas, ajoutez suffisamment d'huile pour l'élever au niveau spécifié.
3. Installez le bouchon de remplissage d'huile et serrez-le à 18,4 lb-pi. (25 Nm).

Changement de l'huile du carter avant

1. Placez le véhicule sur une surface plane.
2. Placez un bac à huile sous le carter pour recueillir l'huile usée.
3. Retirez le bouchon de vidange d'huile (2) dans le bas du carter et vidangez l'huile.
4. Installez le bouchon de vidange d'huile et serrez-le à 18,4 pi-lb (25N•m).
5. Retirez le bouchon de remplissage d'huile. Ajoutez suffisamment d'huile pour élever le niveau jusqu'au bord du trou.
6. Installez le bouchon de remplissage d'huile et serrez-le à 18,4 pi-lb (25N•m).



1	Bouchon de remplissage	2	Bouchon de vidange
---	------------------------	---	--------------------

NOTE :

Capacité d'huile approximative du carter d'engrenage avant : **8,5 oz (250 mL)**.

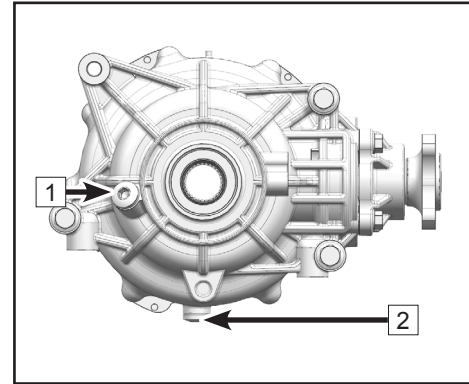
ENTRETIEN

Vérification de l'huile du carter arrière

1. Placez le véhicule sur une surface plane.
2. Retirez le boulon de vidange (1) et vérifiez le niveau d'huile. Le niveau doit être jusqu'au bord du trou. Si le niveau est bas, ajoutez suffisamment d'huile pour l'élever au niveau spécifié.
3. Installez le boulon de remplissage d'huile et serrez-le à 18,4 lb-pi. (25 N•m).

Changement de l'huile du carter arrière

1. Placez le véhicule sur une surface plane.
2. Placez un bac à huile sous le carter pour recueillir l'huile usée.
3. Retirez le boulon de vidange d'huile (2) dans le bas du carter et vidangez l'huile.
4. Installez le boulon de vidange d'huile et serrez-le à 18,4 pi-lb (25N•m)..
5. Remplissez d'une quantité de 13,5 oz (400 ml) d'huile de carter d'engrenages dans le trou de remplissage (1).
6. Installez le boulon de remplissage d'huile et serrez-le à 18,4 pi-lb (25N•m.).



1	Boulon de remplissage	2	Boulon de vidange
---	-----------------------	---	-------------------

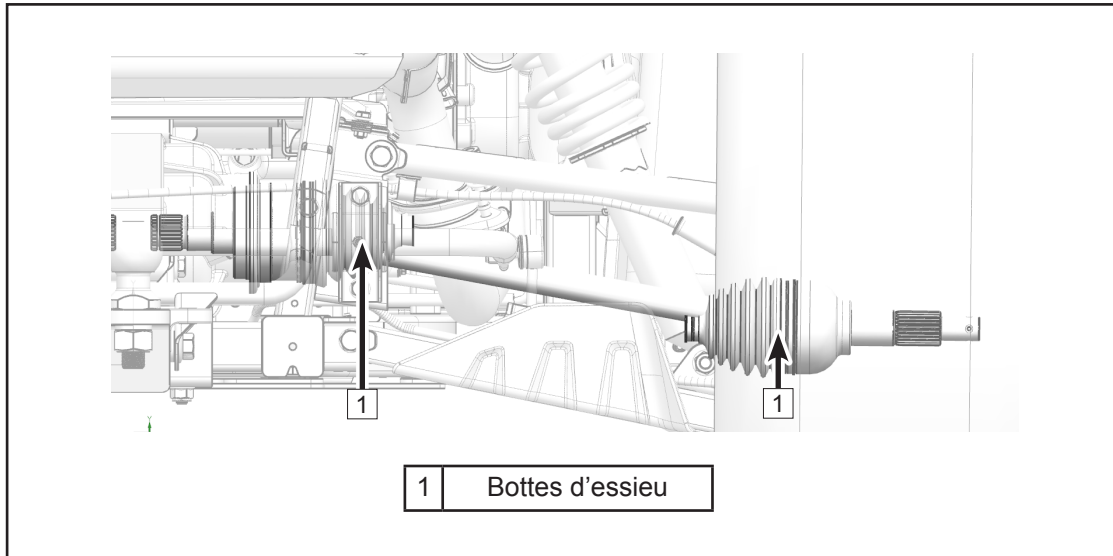
REMARQUE :

Capacité d'huile approximative du carter d'engrenage avant : **13,5 oz (400 ml)**

ENTRETIEN

Bottes d'essieu avant et arrière

Les bottes d'essieu avant et arrière (1) doivent être vérifiées pour des trous ou de l'usure avant utilisation. En cas de dommage, faites réparer le véhicule par votre concessionnaire.



ENTRETIEN

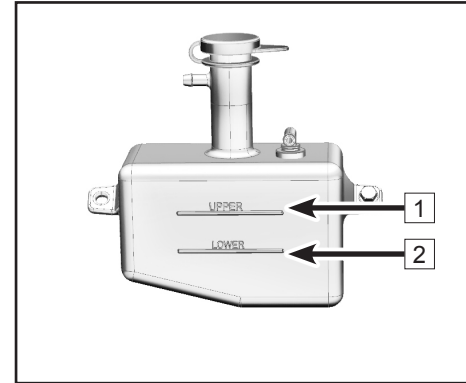
Système de refroidissement

Vérification du niveau de liquide

1. Placez le véhicule sur une surface plane.
2. Vérifiez que le niveau de liquide de refroidissement dans le réservoir.
3. Si le niveau de liquide de refroidissement se situe sur ou sous la marque inférieure, retirez le couvercle d'accès et le bouchon du réservoir. Ajoutez du liquide de refroidissement jusqu'au repère de limite supérieure, installez le bouchon du réservoir, puis réinstallez le couvercle d'accès.

REMARQUE :

Vérifiez le niveau de liquide de refroidissement dans le réservoir de liquide de refroidissement lorsque le moteur est froid, car le niveau du liquide de refroidissement varie avec la température du moteur.



1	Limite supérieure	2	Limite inférieure
---	-------------------	---	-------------------

ATTENTION

Si de l'eau est ajoutée, demandez à votre concessionnaire de vérifier la teneur en antigel du liquide de refroidissement dès que possible. N'ajoutez jamais d'eau dure ou d'eau salée, car cela est nocif pour le moteur. L'eau du robinet peut être utilisée si l'eau distillée n'est pas disponible. Le fonctionnement du ventilateur du radiateur est automatiquement activé ou désactivé en fonction de la température du liquide de refroidissement dans le radiateur pendant le fonctionnement.

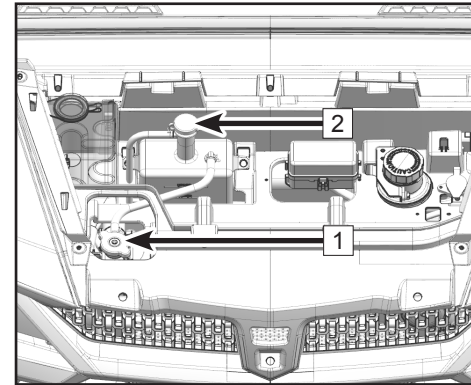
ENTRETIEN

Changer le liquide de refroidissement

ATTENTION

Ne jamais retirer le bouchon du radiateur lorsque le moteur est chaud. Attendez que le moteur refroidisse avant de retirer le bouchon du radiateur. Le liquide de refroidissement chaud peut provoquer de graves brûlures.

1. Stationner le véhicule sur une surface plane.
2. Retirez le capot d'accès avant.
3. Retirez le bouchon du radiateur (1).
4. Retirez le bouchon du réservoir de liquide de refroidissement (2).
5. Placez un récipient sous le moteur, puis retirez le boulon de vidange du liquide de refroidissement (3).
6. Débranchez le tuyau du réservoir de liquide de refroidissement et vidangez le liquide de refroidissement dans un récipient.
7. Après avoir vidangé le système, rincez soigneusement le système avec de l'eau de robinet propre. Laissez l'eau s'écouler complètement.
8. Remplacez la rondelle du boulon de vidange du liquide de refroidissement si elle est endommagée, puis installez et serrez le boulon de vidange du liquide de refroidissement, mais ne le serrez pas jusqu'à spécification.
9. Réinstallez le tuyau du réservoir de liquide de refroidissement.



1	Bouchon du radiateur	2	Bouchon du réservoir
---	----------------------	---	----------------------

ENTRETIEN

10. Versez le liquide de refroidissement recommandé dans le radiateur jusqu'à ce qu'il soit plein.

REMARQUE :

Lors du remplissage du liquide de refroidissement, desserrez en même temps le boulon de vidange du liquide de refroidissement pour aspirer les bulles d'air potentielles à l'intérieur du flexible de liquide de refroidissement jusqu'à ce que le liquide de refroidissement s'écoule, puis serrez le boulon de vidange à 7,3 lb-pi (10 N • m).

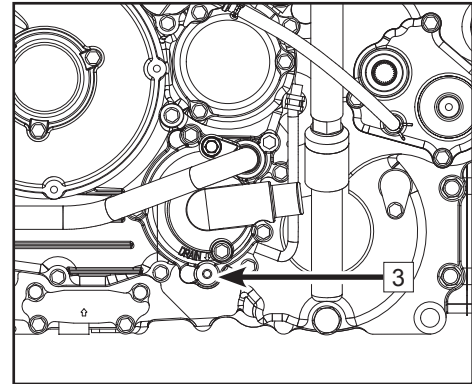
11. Installez le bouchon du radiateur.

12. Démarrez le moteur et laissez-le tourner au ralenti pendant plusieurs minutes. Arrêtez le moteur et laissez-le refroidir. Vérifiez le niveau de liquide de refroidissement dans le radiateur. S'il est bas, ajoutez plus de liquide de refroidissement jusqu'à ce qu'il atteigne le haut du radiateur. Répétez si nécessaire.

13. Remplissez le réservoir de liquide de refroidissement jusqu'à la limite supérieure.

14. Installez le bouchon du réservoir de liquide de refroidissement et vérifiez s'il y a des fuites de liquide de refroidissement. Si des fuites sont détectées, demandez à votre concessionnaire de vérifier le système de refroidissement.

15. Réinstallez le capot d'accès avant.



3 Boulon de vidange

ENTRETIEN

REMARQUE :

Antigel recommandé

Tout antigel d'éthylène glycol de haute qualité contenant des inhibiteurs de corrosion pour les moteurs en aluminium.

Rapport de mélange antigel et eau : **1:1**

Capacité de liquide de refroidissement : **UFORCE 1000 : 4,2 L • UFORCE 1000 XL : 4,8 L**

Changement liquide de refroidissement : **UFORCE 1000 : 4,1 L • UFORCE 1000 XL : 4,7 L**

Capacité du réservoir de liquide de refroidissement : **300 ml ~ 590 ml (0,32 pinte ~ 0,62 pinte)**

Nettoyage

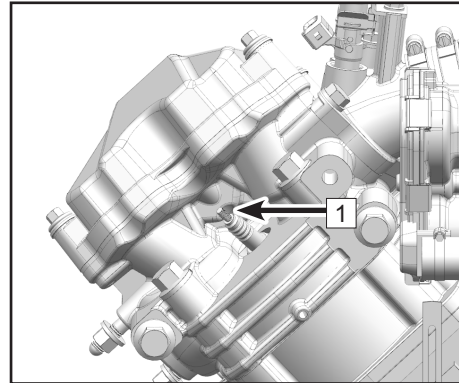
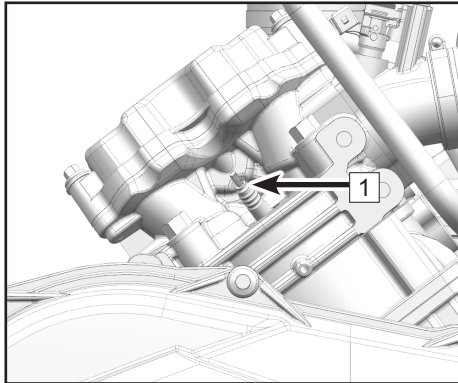
Si les surfaces externes du radiateur sont couvertes de boue ou de débris, leur nettoyage assurera qu'il continue de refroidir efficacement le moteur. Utilisez seulement de l'eau à basse pression pour nettoyer le radiateur. Les nettoyeurs haute pression peuvent endommager les composants. Assurez-vous que l'eau peut circuler librement à travers les ailettes du radiateur. C'est un bon indicateur que l'air de refroidissement peut circuler librement.

ENTRETIEN

Bougies d'allumage

La bougie d'allumage (1) est un composant moteur important et facile à vérifier. La couleur et l'état de la bougie peuvent indiquer l'état du moteur. La couleur idéale sur l'isolateur autour de l'électrode centrale est une couleur beige moyen claire pour un moteur qui fonctionne normalement. Si l'érosion de l'électrode devient excessive, ou si le carbone et autre dépôt sont excessifs, vous devez remplacer la bougie d'allumage par la bougie spécifiée.

Retirez et vérifiez périodiquement la ou les bougies d'allumage pour déceler des dommages dus à la chaleur et des dépôts qui pourraient les endommager et les éroder. N'essayez pas de diagnostiquer vous-même le problème de la bougie ou les problèmes de moteur. Apportez plutôt le véhicule à votre concessionnaire pour réparation.



ENTRETIEN

Retirez et vérifiez les bougies d'allumage

1. Inclinez la boîte de chargement.
2. Nettoyez toute saleté ou débris de la bougie et de la zone du cylindre.
3. Retirez le capuchon de bougie.
4. Utilisez la douille et la clé de bougie de la trousse à outils pour retirer la bougie.
5. Vérifiez l'écartement des bougies d'allumage (A) à l'aide d'une jauge d'épaisseur. Ajustez l'écart si nécessaire.

REMARQUE

Bougie d'allumage spécifiée: **DCPR8E (NGK)**

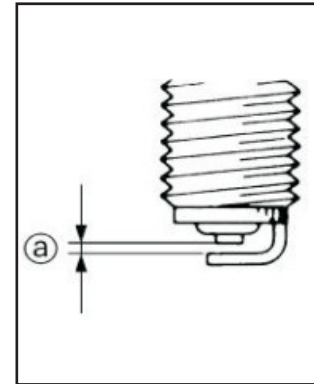
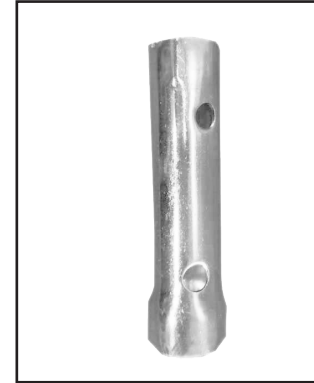
Écartement des bougies d'allumage : **0,031 po ~ 0,035 po (0,8 mm~0,9 mm)**

6. Nettoyez la surface du joint. Essuyez toute saleté des fils.
7. Réinstallez la bougie et serrez au couple spécifié.

REMARQUE

Couple de serrage recommandé : **14,8 lb-pi. (20 N·m)**. Si une clé dynamométrique n'est pas disponible lorsque vous installez une bougie, une bonne estimation du couple correct consiste à serrer la bougie avec le doigt d'abord, puis utilisez l'outil pour serrer $\frac{1}{4}$ à $\frac{1}{2}$ tour.

8. Réinstallez le capuchon de bougie
9. Installez le panneau d'accès à la caisse de chargement.
Serrez les fixations à 7,3 pi-lb. (10 N·m).



ENTRETIEN

Retrait de la bougie d'allumage pour expulser l'eau du moteur

Si de l'eau s'est infiltrée dans le moteur, il est important de retirer l'eau dès que possible en retirant le ou les bougies d'allumage et en utilisant le système de démarrage pour faire tourner le moteur pendant une courte période afin d'expulser l'eau du ou des cylindre(s). Vérifiez que la boîte à air a été vidangée avant d'essayer d'expulser l'eau. Faites immédiatement vérifier le moteur par un concessionnaire.

ATTENTION

Des dommages importants au moteur peuvent endommager le véhicule si de l'eau s'est infiltrée dans le moteur. Faites rapidement réparer le véhicule par un concessionnaire si votre véhicule est immergé ou cale dans l'eau qui dépasse le niveau du repose-pied. S'il y a eu infiltration d'eau, il est important de contacter votre concessionnaire pour un entretien avant de démarrer le moteur. De l'eau infiltrée dans le moteur peut provoquer un effet de «verrouillage hydraulique» qui peut endommager le démarreur et les composants du moteur. L'huile moteur doit être vérifiée pour contamination. Vidangez et remplissez d'huile à moteur neuve si de l'eau est trouvée dans le carter.

ENTRETIEN

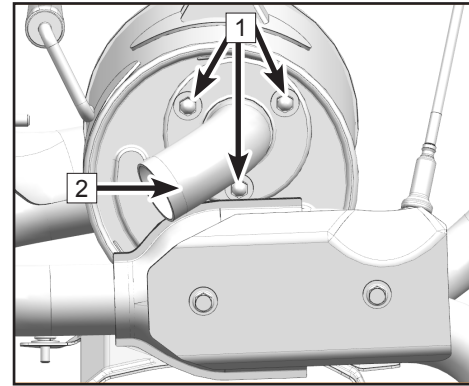
Pare-étincelles

Nettoyez périodiquement les dépôts de carbone du pare-étincelles pendant que le silencieux et le tuyau d'échappement sont à température normale.

 **ATTENTION**

Assurez-vous que le système d'échappement est refroidi, puis procédez à la vérification et au nettoyage.

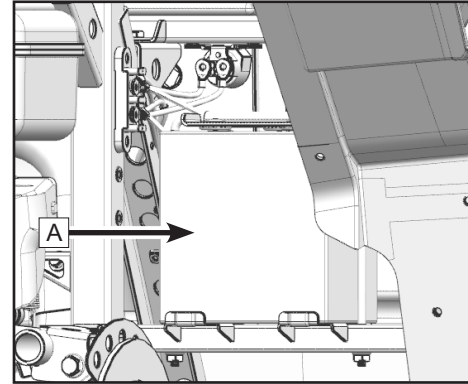
1. Retirez les fixations (1).
2. Tapotez légèrement sur le tuyau d'échappement pour le desserrer et retirez le pare-étincelles du silencieux.
3. Utilisez une brosse métallique pour enlever tout dépôt de carbone de la partie pare-étincelles du tuyau d'échappement (2).
4. Insérez le tuyau d'échappement dans le silencieux et alignez les trous des boulons.
5. Installez et serrez les fixations à 7,3 lb-pi. (**10 N•m**).



ENTRETIEN

Batterie

Ce véhicule est muni d'une batterie scellée à faible entretien (A) de 12 volts/30 A/h, qui est situé sur le côté intérieur de l'aile arrière droite. Par conséquent, il n'est pas nécessaire de vérifier l'électrolyte ou d'ajouter de l'eau distillée dans la batterie. Si la batterie semble être déchargée, que le couvercle est endommagé ou pour tout autre problème concernant la batterie, contactez votre concessionnaire. Vérifiez que les connexions de la batterie sont propres et sécurisées pendant la maintenance de routine.



ENTRETIEN

Consignes d'entretien de la batterie

- Si le véhicule n'est pas utilisé pendant un mois ou plus, retirez la batterie et rangez-la dans un endroit frais et sec. Rechargez complètement la batterie avant la réinstallation.
- Un chargeur de batterie spécial (basse tension/ampère constant) est nécessaire pour recharger les batteries nécessitant peu d'entretien. L'utilisation d'un chargeur de batterie conventionnel peut réduire la durée de vie de la batterie.
- Assurez-vous toujours que les connexions des câbles respectent la polarité lors de la réinstallation de la batterie. ROUGE (+ positif) / Noir (- négatif). Débranchez toujours le câble ROUGE (+ positif) en dernier lors du retrait et reconnectez-le en premier lors de l'installation.
- Les connexions de batterie corrodées peuvent être nettoyées avec un mélange de bicarbonate de soude et d'eau.

AVERTISSEMENT

Évitez tout contact avec la peau, les yeux ou les vêtements et protégez toujours les yeux lorsque vous travaillez à proximité de batteries. Tenir hors de portée des enfants. Tenez les piles à l'écart des étincelles, des flammes, des cigarettes ou de toute autre source d'inflammation. Aérez la zone lors du chargement ou de l'utilisation dans un espace clos.

Antidote d'acide de batterie :

EXTERNE : rincer à l'eau.

INTERNE : Obtenez une attention médicale rapide.

YEUX : Rincer à grande eau pendant 15 minutes et consulter rapidement un médecin.

ENTRETIEN

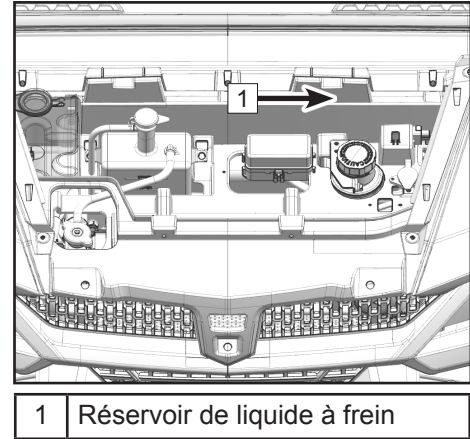
Systeme de freinage

Inspection du niveau de liquide de frein

Avant de rouler, vérifiez que le niveau de liquide de frein est au-dessus du repère inférieur et remplir chaque fois que nécessaire. Le réservoir de liquide de frein est situé sous le capot. Un liquide de frein insuffisant peut laisser de l'air pénétrer le système de freinage, ce qui pourrait rendre les freins inefficaces.

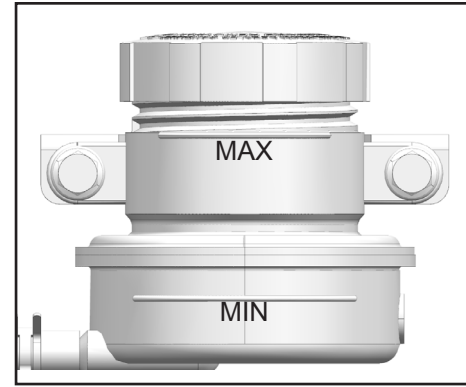
Appliquez les précautions suivantes :

- Lors de la vérification du niveau de liquide, assurez-vous que le véhicule est sur une surface plane.
- Utilisez uniquement le liquide de frein de qualité désigné. Sinon, les joints de caoutchouc peuvent se détériorer, provoquant des fuites et de mauvaises performances de freinage.
- Liquide de frein recommandé : DOT 4.
- Remplissez avec le même type de liquide de frein. Le mélange de liquides peut entraîner une réaction chimique nocive et entraîner de mauvaises performances de freinage.



ENTRETIEN

- Veillez à ce que l'eau ne pénètre pas dans le réservoir du maître-cylindre. L'eau abaissera considérablement le point d'ébullition du liquide et entraînera de mauvaises performances de freinage.
- Le liquide de frein peut détériorer les surfaces peintes ou les pièces de plastique. Nettoyez toujours immédiatement le liquide renversé.
- À mesure que les plaquettes de frein s'usent, il est normal que le niveau de liquide de frein baisse progressivement. Un niveau de liquide de frein bas peut indiquer des plaquettes de frein usées ou une fuite du système de freinage. Par conséquent, assurez-vous de vérifier l'usure des plaquettes de frein avant de vérifier que le système de freinage ne fuit pas.
- Si le niveau de liquide de frein descend de façon inattendue, demandez à votre concessionnaire d'en vérifier la cause.



ENTRETIEN

Vérification des plaquettes de frein

Vérifiez les plaquettes et disques de frein avant et arrière pour détecter tout dommage et usure. Si l'épaisseur de la plaquette (A) est inférieure à 0,059 po (1,5 mm) ou si l'épaisseur du disque (B) est inférieure à 0,118 po (3,0 mm), demandez à votre concessionnaire de les remplacer. Le remplacement des composants de freins nécessite des connaissances professionnelles et doit être effectué par votre concessionnaire.

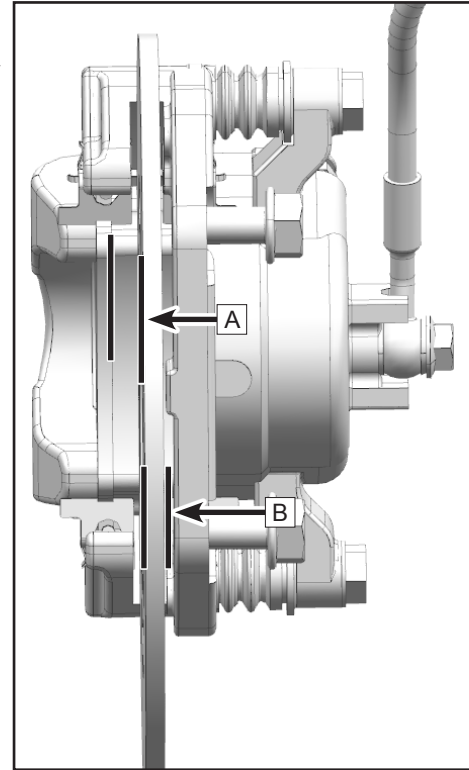
REMARQUE :

Les roues doivent être retirées pour vérifier les plaquettes de frein.

ATTENTION

Après l'entretien :

- Assurez-vous que le jeu du levier de freinage est suffisant et que le système de freinage fonctionne correctement.
- Assurez-vous que les freins ne traînent pas et qu'ils ne sont pas spongieux.
- Tout l'air doit être purgé du système de freinage. L'entretien des composants du système de freinage nécessite des compétences professionnelles. Ces procédures doivent être effectuées par votre concessionnaire.



ENTRETIEN

Remplacement du liquide de frein

Le remplacement doit être effectué uniquement par un technicien qualifié. Demandez à votre concessionnaire de remplacer les pièces suivantes lorsqu'il effectue l'entretien périodique de votre véhicule, lorsque ces pièces sont endommagées ou en présence de fuites :

- Remplacez les tuyaux du système de freinage tous les quatre (4) ans.

Fonctionnement du commutateur de feux stop

Le commutateur des feux stop est activé par la pression de la pédale de frein et fonctionne correctement lorsque le feu stop s'allume au moment où le freinage prend effet. En cas de panne des feux stop, vérifiez que l'ensemble interrupteur ou le circuit électrique fonctionne correctement.

Suspension

Certains composants de la suspension avant du véhicule ne nécessitent ni entretien ni lubrification. Veillez à ce que ces composants soient nettoyés régulièrement et ne sont ni desserrés ni endommagés avant d'utiliser le véhicule.

Lubrification du pivot

Lubrifiez les pivots supérieur et inférieur des suspensions avant et arrière :

- À l'aide d'un pistolet graisseur, ajoutez de la graisse dans les graisseurs de pivot supérieur et inférieur (1) situés sur le châssis jusqu'à ce que la graisse s'écoule légèrement de la douille.

ENTRETIEN

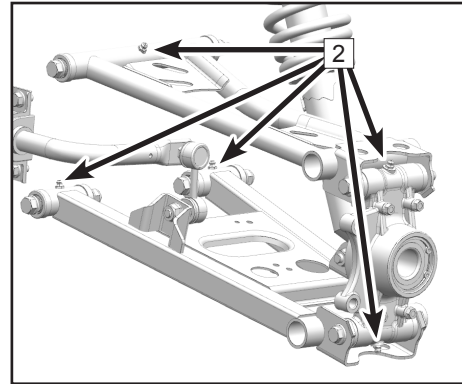
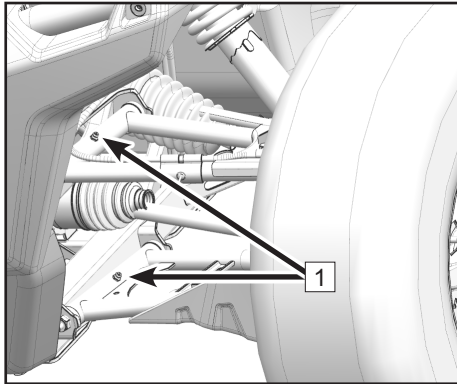
Lubrification du porte-moyeu arrière

Lubrifiez les pivots supérieur et inférieur du porte-moyeu arrière :

- Retirez les roues arrière.
- Ajoutez de la graisse dans les graisseurs de pivot supérieur et inférieur du porte-moyeu (2) avec un pistolet graisseur jusqu'à ce que la graisse s'écoule légèrement de la bague.
- Réinstallez les roues arrière. Serrez les fixations selon les spécifications.

REMARQUE :

Lubrifiant recommandé : graisse toutes saisons



ENTRETIEN

Réglage de la précharge de l'amortisseur

La précharge et l'amortissement des ressorts de l'amortisseur avant et arrière peuvent être ajustés en fonction du poids du randonneur, du chargement et des conditions de conduite. Réglez toujours les amortisseurs sur les côtés gauche et droit au même réglage, et réinitialisez-les au réglage initial après avoir transporté des charges.

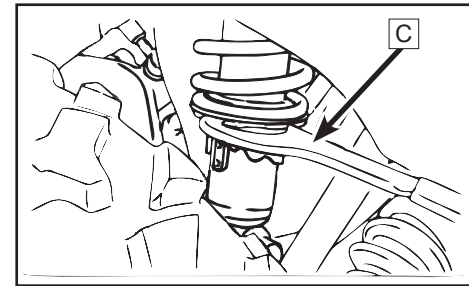
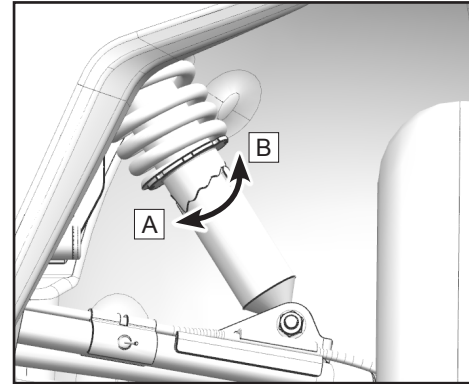
Réglez la précharge du ressort

A = léger ~ B = ferme

- Pour augmenter la précharge du ressort, desserrez l'écrou de blocage et tournez le dispositif de réglage dans le sens (B).
- Pour diminuer la précharge du ressort, desserrez l'écrou de blocage et tournez le dispositif de réglage dans le sens (A).

REMARQUE :

Une clé à collier spéciale (C) est incluse dans la trousse d'outils pour effectuer les réglages de précharge du ressort.



ENTRETIEN

ROUES

Pression des pneus

Avant d'utiliser le véhicule, vérifiez la pression des pneus :

UFORCE 1000 :

UFORCE 1000 XL:

Avant : **10 PSI (70 kPa)**

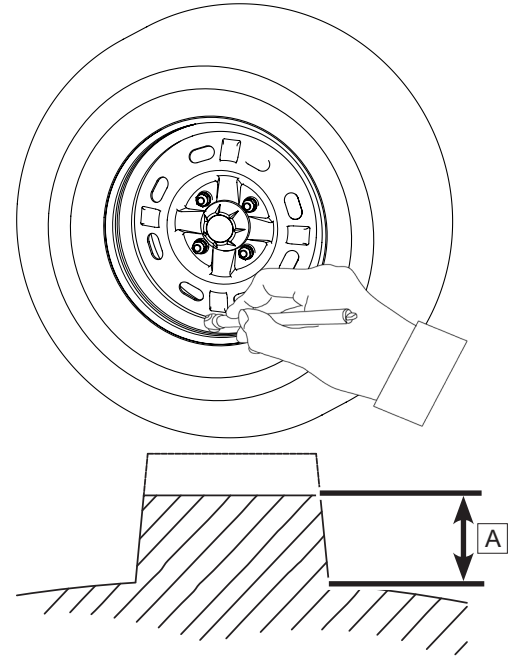
Avant : **14 PSI (100 kPa)**

Arrière : **14 PSI (100 kPa)**

Arrière : **17 PSI (120 kPa)**

Profondeur de la bande de roulement

Vérifiez régulièrement la profondeur de la bande de roulement des pneus et remplacez les pneus dès que la profondeur de la bande de roulement atteint la norme minimale de 3/32 po (3,0 mm).



Roulement de moyeu des roues

- Soulevez le véhicule et soutenez-le solidement sous le châssis, avec les pneus surélevés du sol.
- Poussez et tirez les roues par les bords extérieurs pour sentir le jeu latéral ou le relâchement et si oui, contactez votre concessionnaire.

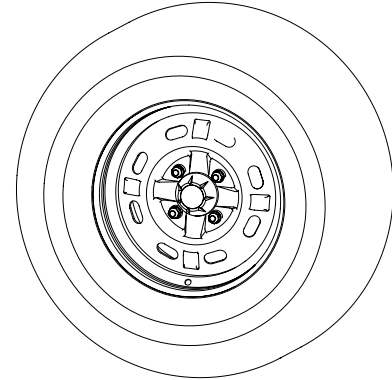
ENTRETIEN

Démontage des roues

- Assurez-vous que le véhicule est en stationnement.
- Desserrez les fixations de roue.
- Élevez le véhicule et placez un support approprié sous le châssis.
- Retirez les fixations de la roue.
- Retirez la roue

Installation des roues

- Assurez-vous que le véhicule est en stationnement.
- Installez la roue.
- Installez les fixations de roue à la main.
- Élevez le véhicule, retirez la béquille sous le châssis et abaissez le véhicule au sol.
- Serrez les fixations de roue selon les spécifications :
Roues en aluminium ou en acier
81 pi-lb~88 pi-lb (110 N•m~120 N•m)



REMARQUE :

Si des roues en aluminium sont utilisées avec des fixations coniques, installez la fixation avec le côté effilé face à la roue. Pour les roues en acier, installez la fixation avec la surface plane face à la roue.

ENTRETIEN

Électrique

Fusibles

La boîte de fusibles est située sous le capot d'accès avant. Si un fusible est grillé, coupez l'interrupteur principal et installez un nouveau fusible avec l'ampérage spécifié. Allumez l'interrupteur principal. Si le fusible saute immédiatement à nouveau, contactez votre concessionnaire.



ATTENTION

Pour éviter un court-circuit accidentel, coupez l'interrupteur principal avant de vérifier ou de remplacer les fusibles. Utilisez toujours un fusible de calibre spécifié. N'utilisez jamais de matériaux conducteurs à la place du fusible approprié. L'utilisation d'un fusible incorrect peut endommager le système électrique et provoquer un incendie.

UFORCE 1000

MAIN RELAY	AUXILIARY START RELAY	LOW BEAM RELAY	HIGH BEAM RELAY	FAN RELAY	FUEL PUMP RELAY	2-4 RELAY
						4-4 RELAY
FUEL PUMP 10A	SIGNAL CONTROL 15A	BACKUP 15A			REVERSE RELAY	
HEADLIGHT 15A	BCU 5A	FAN 15A	MAIN RELAY 10A			

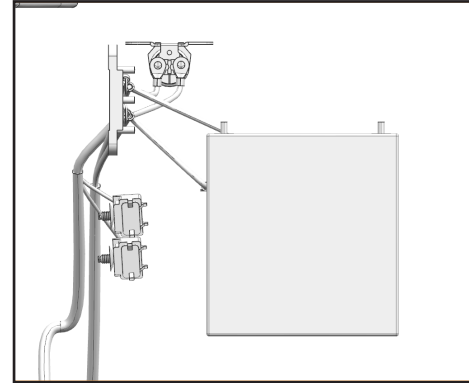
UFORCE 1000 XL

MAIN RELAY	AUXILIARY START RELAY	LOW BEAM RELAY	HIGH BEAM RELAY	FAN RELAY	FUEL PUMP RELAY	2-4 RELAY
						4-4 RELAY
FUEL PUMP 10A	SIGNAL CONTROL 15A	BACKUP 15A	DAYTIME RUNNING LIGHT 10A	FRONT GLASS LIFTING 25A	REVERSE RELAY	
HEADLIGHT 15A	BCU 5A	FAN 15A	MAIN RELAY 10A	BACK CLASS LIFTING 25A		

ENTRETIEN

Fusible principal et fusible EPS

Un fusible principal et un EPS de 40 ampères sont situés à gauche de la batterie. Si un fusible est grillé, coupez l'interrupteur principal et installez un nouveau fusible de l'ampérage spécifié. Allumez l'interrupteur principal. Si le fusible saute immédiatement à nouveau, contactez votre concessionnaire.



ENTRETIEN

Réglage du faisceau des phares

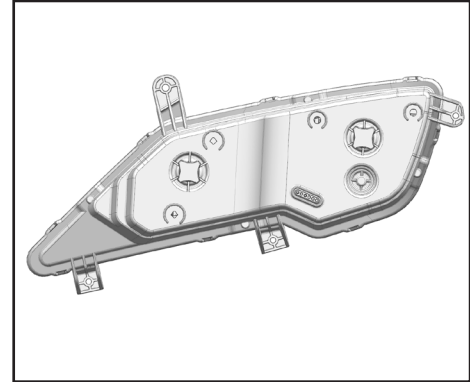
Pour ajuster le faisceau des phares :

- Tourner les vis pour régler la direction du faisceau des feux de route verticalement et horizontalement.
- Tournez la vis pour régler les feux de croisement verticalement.

 **ATTENTION**

Il est conseillé de demander à votre concessionnaire d'effectuer le réglage des phares. Un réglage incorrect peut entraîner un accident causant des blessures graves ou la mort.

REMARQUE Les ensembles de feux de position et de feux clignotants (le cas échéant) sont une structure à LED, qui ne peut pas être réparée en cas d'endommagement ou de panne. Faites remplacer l'ensemble par votre revendeur si une LED est endommagée ou est en panne.



ENTRETIEN

Remplacement des feux arrière/frein, de position et des clignotants

Les feux de freinage/arrière, les feux de position avant et les clignotants (si équipé) sont de type DEL. Faites remplacer l'ensemble par votre concessionnaire si une DEL est endommagée ou est en panne.

Système d'évaporation de carburant (EVAP)

Votre véhicule contient un système d'évaporation de carburant (EVAP) qui empêche les vapeurs de carburant de pénétrer dans l'atmosphère à partir du réservoir de carburant et du système de carburant. Ne modifiez jamais aucune partie de ce système, ce qui contreviendrait aux réglementations sur les émissions par évaporation du carburant.

Lors de l'entretien de routine, inspectez visuellement toutes les connexions pour déceler fuites et blocages, et inspectez les tuyaux pour déceler des plis ou des dommages.

Aucun autre entretien n'est nécessaire. Contactez votre concessionnaire si une réparation est nécessaire.

REMARQUE : Les informations s'appliquent uniquement aux véhicules équipés d'un système d'évaporation de carburant.

NETTOYAGE ET ENTREPOSAGE

Le nettoyage de votre VTT permet non seulement d'améliorer son apparence, mais aussi de prolonger la vie de ses différents composants. Avec quelques précautions, votre VTT peut être nettoyé un peu comme une automobile.

- La meilleure façon la plus sécuritaire de nettoyer votre VTT est avec un boyau d'arrosage et un seau d'eau et de savon doux. Les détergents agressifs peuvent détériorer les composants en caoutchouc.
- Utilisez une mitaine de type professionnel, et nettoyez d'abord la partie supérieure pour terminer par la partie inférieure.
- Faites particulièrement attention à ce que le radiateur du système de refroidissement et les soufflets d'essieu soient soigneusement nettoyés de tous les saletés et débris.
- Rincez fréquemment à l'eau et séchez avec un chamois pour éviter les taches d'eau.
- Lubrifiez tous les points de pivot immédiatement après le lavage.
- Laissez le moteur tourner pendant un certain temps pour évaporer l'eau qui aurait pu pénétrer dans l'admission d'air du moteur ou du système d'échappement.

CFMOTO ne recommande pas l'utilisation d'un système de nettoyage à haute pression pour laver votre véhicule, car l'eau peut être forcée au-delà des joints et endommager les décalcomanies. Si un système à haute pression est utilisé, faites très attention pour éviter d'endommager les décalcomanies, les roulements de moyeu des roues, les joints de transmission, les panneaux de carrosserie, les freins, les étiquettes d'avertissement, le système d'admission du filtre à air et du système électrique. Assurez-vous également que l'eau ne pénètre pas dans le filtre à air ou le boîtier de la CVT. Si les étiquettes d'avertissement et de sécurité sont endommagées, contactez votre concessionnaire pour leur remplacement.

NETTOYAGE ET ENTREPOSAGE

Cirage du véhicule

Votre VTT peut être ciré avec toute cire en pâte non abrasive pour automobile. Évitez l'utilisation de produits nettoyants abrasifs, car ils peuvent abîmer le fini de la carrosserie.



Certains produits, y compris les insectifuges et les produits chimiques, peuvent endommager les surfaces en plastique. Soyez prudent lors de l'utilisation de ces produits à proximité de surfaces en plastique.

Effectuer des réparations

Effectuez les réparations nécessaires à votre véhicule avant son entreposage pour éviter d'autres dommages lors de la prochaine utilisation.

Vérification des pneus

Vérifiez la bande de roulement des pneus et leur état général. Réglez les pneus à la pression d'air spécifiée.

Huile et filtre

Réchauffez le moteur, puis arrêtez-le et changez l'huile et le filtre.

Filtre à air et boîtier

Vérifiez et nettoyez ou remplacez le filtre à air. Nettoyez le caisson d'air et vidangez le tube à sédiments.

NETTOYAGE ET ENTREPOSAGE

Vérification des niveaux de liquides

Inspectez les niveaux de liquide suivants et changez-les si nécessaire :

- Carter d'engrenage avant
- Carter d'engrenage arrière
- Liquide de frein (changez tous les deux ans ou au besoin si le liquide semble sombre ou contaminé)
- Liquide de refroidissement (changez tous les deux ans ou au besoin si le liquide de refroidissement semble contaminé)
- Niveau de carburant (ajoutez un stabilisateur de carburant selon les instructions sur l'étiquette du produit)

Stabilisation du carburant

Remplissez le réservoir à essence avec un carburant frais qui a été traité avec un stabilisateur de carburant conformément aux instructions sur l'étiquette du produit. Ne laissez pas un carburant non traité dans le véhicule pendant plus de 30 jours, car le carburant peut alors se dégrader et endommager les composants du système de carburant.

Entreposage de la batterie

Retirez la batterie du véhicule et assurez-vous qu'elle est complètement chargée avant son entreposage. Protégez la batterie du gel qui peut lui causer des dommages.

Lubrification

Vérifiez tous les câbles et lubrifiez avec un lubrifiant pour câbles conformément aux instructions sur l'étiquette du produit. Graisser les points de pivot du véhicule avec une graisse toutes saisons.

NETTOYAGE ET ENTREPOSAGE

Brumiser le moteur (Fog)

- Inclinez la boîte de chargement pour accéder aux bougies.
- Retirez la(les) bougie(s), faites pivoter le piston jusqu'au bout et versez environ 2 oz (15 ml ~ 20 ml) d'huile moteur dans l'ouverture.

REMARQUE :

Vous devez faire attention lorsque vous brumisez le moteur, car si vous manquez le trou de la bougie, l'huile s'écoulera dans la cavité de la bougie et ressemblera à une fuite d'huile. Pour accéder au trou de la bougie, utilisez une section de tuyau propre et une petite bouteille souple, en plastique, remplie avec une quantité pré mesurée d'huile à brumiser.

- Réinstallez la bougie et serrez-la au couple spécifié.
- Faites tourner le moteur plusieurs fois lentement. L'huile sera forcée dans et autour du piston, les segments de piston et le cylindre seront ainsi recouverts d'un film protecteur d'huile fraîche.
- Réinstallez le capuchon de bougie et le panneau latéral.

REMARQUE :

Le démarrage du moteur pendant la période d'entreposage pourrait perturber le film protecteur créé par la brumisation et pourrait causer de la corrosion. Ne démarrez jamais le moteur pendant la période d'entreposage.

Couverture d'entreposage

Réglez la pression des pneus et surélevez le côté à côté de sorte que les pneus soient à 30-40 mm (1/2 po) du sol. Assurez-vous que la zone d'entreposage soit bien ventilée et couvrez le véhicule d'une couverture de conçu pour ce type de véhicule.

NETTOYAGE ET ENTREPOSAGE

REMARQUE :

Ne pas utiliser de plastique ou autre matière enduite. Ils ne peuvent permettre une ventilation suffisante pour éviter la condensation, et peuvent favoriser la corrosion et l'oxydation.

Transport du véhicule

Suivez les procédures suivantes lors du transport du véhicule :

- Coupez le moteur et retirez la clé du contact pour éviter toute perte pendant le transport.
- Assurez-vous que le bouchon du réservoir à essence est correctement installé et sécurisé.
- Assurez-vous que le siège est correctement installé et sécurisé.
- Placez le levier de transmission à n'importe quelle position sauf PARK et bloquez les roues avant et arrière pour empêcher le véhicule de bouger.



**Ne jamais transporter le véhicule avec le levier de vitesse en position PARK.
Ceci pourrait causer des dommages au moteur et à la transmission.**

- Fixez l'avant et l'arrière du châssis du véhicule à la plate-forme du véhicule de transport pour empêcher que le véhicule ne glisse ou ne bouge.

DÉPANNAGE

La présente section est destinée à guider un propriétaire moyen vers des items simples qui pourraient être la cause d'un problème de fonctionnement. Le diagnostic des problèmes de fonctionnement peut nécessiter l'expérience d'un technicien chez votre concessionnaire. Veuillez contacter votre concessionnaire si une solution n'est pas apparente.

Le moteur ne démarre pas

Raison possible de la défaillance	Comment éviter la défaillance
Fusible grillé	Réinitialiser ou remplacer le fusible
Tension de batterie faible	Recharger la batterie à 12,8 Vdc Confirmer l'état de la batterie
Connexions de batterie desserrées	Vérifiez toutes les connexions et resserrez si nécessaire
Connexions électriques du système de démarrage desserrées	Vérifiez toutes les connexions et resserrez si nécessaire
Interrupteur d'arrêt du moteur	Vérifier la fonction
Circuit de démarrage incomplet transmission en prise	Appuyez sur la pédale de frein ou mettez la transmission au point mort ou en position de stationnement.

DÉPANNAGE

Cliquetis ou cognements du moteur

Raison possible de la défaillance	Comment éviter la défaillance
Carburant de mauvaise qualité ou à faible indice d'octane.	Faites le plein de carburant ayant un indice d'octane minimum de 89.
Réglage du calage d'allumage incorrect.	Contactez votre concessionnaire.
Écartement des bougies ou valeur thermique incorrecte.	Régler l'écartement selon les spécifications ou remplacer les bougies.

Le moteur s'arrête ou perd de la puissance

Raison possible de la défaillance	Comment éviter la défaillance
Le moteur surchauffe.	Nettoyez la grille du radiateur et le noyau externe. Nettoyez l'extérieur du moteur. Contactez votre concessionnaire.
Manque d'essence.	Faire le plein de carburant sans plomb, avec un indice d'octane d'au moins 89.
Conduit d'aération du réservoir à essence plié ou bouché.	Vérifiez et remplacez. Contactez votre concessionnaire.

DÉPANNAGE

Le moteur s'arrête ou perd de la puissance

Raison possible de la défaillance	Comment éviter la défaillance
Présence d'eau dans le carburant.	Vidangez complètement le système d'alimentation et rajoutez du carburant au réservoir.
Bougie encrassée ou défectueuse.	Vérifiez la bougie et remplacez si nécessaire.
Écartement des bougies ou valeur thermique incorrecte.	Régler l'écartement selon les spécifications ou remplacer les bougies.
Connexions des câbles d'allumage desserrés.	Vérifiez toutes les connexions et resserrez.
Tension de batterie trop basse.	Rechargez la batterie jusqu'à ce qu'elle indique 12,8 V — Confirmez l'état de la batterie.
Filtre à air obstrué.	Vérifiez et nettoyez ou remplacez.
Dysfonctionnement du limiteur de vitesse arrière.	Contactez votre concessionnaire.
Dysfonctionnement de la commande électronique des gaz.	Contactez votre concessionnaire.
Autre défectuosité mécanique.	Contactez votre concessionnaire.

DÉPANNAGE

Le moteur refuse de démarrer

Raison possible de la défaillance	Comment éviter la défaillance
Filtre à air bouché	Inspecter et remplacer au besoin ; Remplacer les bougies d'allumage si nécessaire
Filtre à essence bouché	Inspecter et remplacer si nécessaire
Injecteur de carburant bouché	Voir votre revendeur
Évent du réservoir de carburant plié ou bouché	Inspecter et réparer si nécessaire
Pas d'étincelle à la bougie	Inspectez les bougies d'allumage, vérifiez que l'interrupteur d'arrêt est activé
Bougies encrassées ou défectueuses	Inspecter les bougies, remplacer si nécessaire
Fils de bougie usés ou défectueux	Voir votre revendeur
Écart de bougie ou plage de chaleur incorrect	Réglez l'écart selon les spécifications ou remplacez les bouchons
Connexions électriques desserrées ou corrodées	Vérifiez toutes les connexions et serrez
Tension de batterie faible	Rechargez la batterie à 12,8 Vdc - Confirmez l'état de la batterie
Carburant ancien ou incorrect	Remplacer par de l'essence sans plomb à indice d'octane minimum de 89
Carburant faible ou contaminé	Ajouter ou changer de carburant, nettoyer le système de carburant
Carburant à faible indice d'octane	Remplacez par du carburant sans plomb à indice d'octane minimum de 89
Carter rempli d'eau ou de carburant	Consultez immédiatement votre revendeur
Eau présente dans le carburant	Remplacer par de l'essence sans plomb à indice d'octane minimum de 89
Mélange de carburant pauvre ou riche possible	Voir votre concessionnaire
Le carburant a un indice d'octane très élevé	Remplacez par du carburant sans plomb à indice d'octane minimum de 89
La pompe à essence ne fonctionne pas	Inspectez la pompe et le fusible et remplacer si nécessaire.

DÉPANNAGE

Retour de flamme du moteur

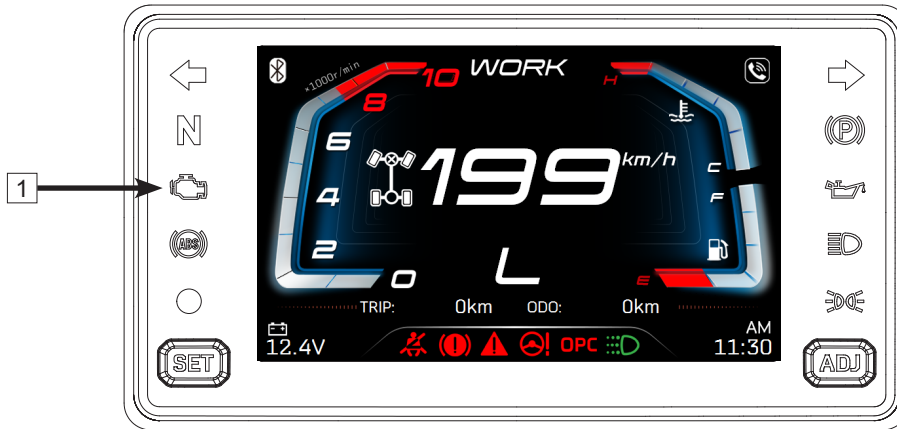
Raison possible de la défaillance	Comment éviter la défaillance
Faible étincelle des bougies	Vérifiez, nettoyez et/ou remplacez la bougie.
Écart de bougie ou plage de chaleur incorrect	Réglez l'écartement selon les spécifications ou remplacez la bougie.
Carburant ancien ou non recommandé	Remplacez le carburant du réservoir.
Fils de bougie mal installés	Contactez votre concessionnaire.
Calage de l'allumage incorrect	Contactez votre concessionnaire.
Panne mécanique	Contactez votre concessionnaire.
	Contactez votre concessionnaire.
	Inspect spark plugs, verify stop switch is on
	Immediately see your dealer
	Inspect and replace as necessary; Replace spark plugs as necessary
	See your dealer
	Recharge battery to 12.8 Vdc - Confirm battery health
	See your dealer

DÉPANNAGE

Indicateur de dysfonctionnement du système EFI (injection électronique de carburant)

Le système d'injection électronique de carburant de votre véhicule contient une fonction d'autodiagnostic qui allumera le témoin de dysfonctionnement (MIL) s'il détecte un problème. Lorsque cet indicateur clignote, veuillez contacter votre concessionnaire.

En fonctionnement normal, l'indicateur EFI sera éteint.



1 | EFI Indicator

DÉPANNAGE

Indicateur de dysfonctionnement EFI

Exemple - CODE '0650 ':

« 0 » - cette lumière s'allume 10 fois

« 6 » - cette lumière s'allume 6 fois

« 5 » - cette lumière s'allume 5 fois

« 0 » - cette lumière s'allume 10 fois

Intervalle de clignotements : 1 sec.

Le cycle de clignotements se répétera une fois le voyant EFI MIL éteint pendant 3 secondes. Si plusieurs codes sont détectés, le système attendra environ 3 secondes et affichera le code suivant.

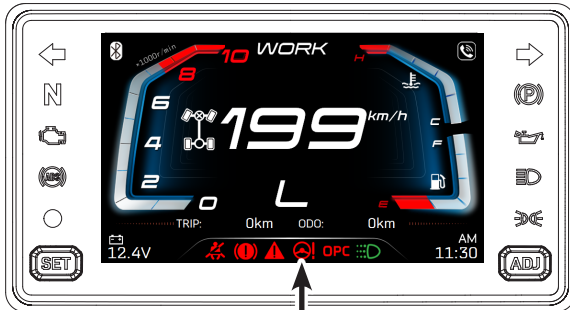
Arrêtez d'utiliser le véhicule et contactez immédiatement votre concessionnaire si le système EFI MIL clignote.

DÉPANNAGE

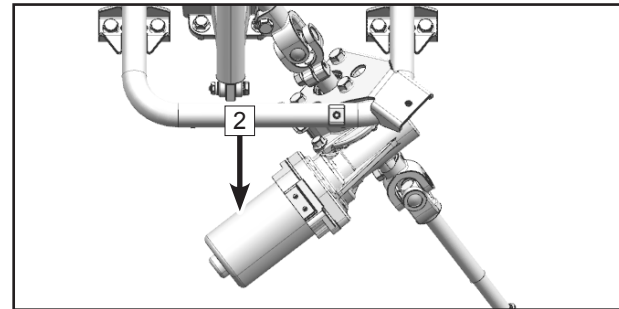
Indicateur de dysfonctionnement EPS

Le système de direction assistée électronique de votre véhicule contient une fonction d'autodiagnostic qui allumera l'indicateur de dysfonctionnement (MIL) s'il détecte un problème. En fonctionnement normal, le témoin EPS s'allumera une fois l'indicateur de démarrage mis sur ON, mais EPS ne fonctionnera pas. Lorsque le moteur est démarré, le témoin EPS s'éteint et l'EPS commence à fonctionner.

Chaque code de panne se compose de 2 chiffres, indiqués par les temps de clignotement long et de clignotement court de l'indicateur EPS MIL. En cas de panne, l'indicateur EPS commencera à clignoter. NE PAS éteindre la machine. Vérifiez la séquence de flash de l'indicateur EPS. Notez la séquence de flash et contactez votre revendeur pour un diagnostic. Votre revendeur dispose de l'outil spécial requis pour diagnostiquer, réparer et effacer les codes de panne. Tous les codes disparaîtront une fois le problème diagnostiqué et réparé par votre concessionnaire.



1 Indicateur EPS



2 Ensemble EPS

DÉPANNAGE

Indicateur de dysfonctionnement EPS

Le nombre de clignotements longs représentent le chiffre des dizaines;

Le nombre de clignotements courts représentent le chiffre des unités;

Durée du clignotement long : 2 sec.

Durée du clignotement court : 1 sec.

Intervalle de clignotements : 1 sec.

Le cycle de clignotements se répétera une fois le voyant EPS MIL éteint pendant 3 secondes

Cessez d'utiliser le véhicule et contactez immédiatement votre concessionnaire si le système EPS MIL clignote ou s'il y a une perte d'assistance à la direction lorsque le moteur en marche.

DÉPANNAGE

Diagnostic et solution de dysfonctionnement du système EPS

Absence d'aide à la direction au guidon.	<ol style="list-style-type: none">1. Mauvaise connexion des fiches.2. Fusible grillé.3. Dommages au relais.4. Défaillance du contrôleur, du moteur ou du capteur.	<ol style="list-style-type: none">1. Vérifiez les fiches et les connexions.2. Remplacez le fusible (40A).3. Contactez votre concessionnaire.4. Contactez votre concessionnaire
Aide à la direction asymétrique pour la gauche et la droite.	<ol style="list-style-type: none">1. Sortie de tension incorrecte du capteur.2. Défaillance du contrôleur, du moteur ou du capteur.	<ol style="list-style-type: none">1. Contactez votre concessionnaire2. Contactez votre concessionnaire
La direction glisse.	<ol style="list-style-type: none">1. Le moteur est monté à l'envers.2. Défaillance du contrôleur ou du capteur.	<ol style="list-style-type: none">1. Contactez votre concessionnaire2. Contactez votre concessionnaire
Aide à la direction assistée faible.	<ol style="list-style-type: none">1. La batterie perd de la puissance.2. Pression basse dans les pneus avant.3. Défaillance du moteur (puissance réduite).	<ol style="list-style-type: none">1. Rechargez la batterie2. Gonflez les pneus3. Contactez votre concessionnaire
Bruit provenant du système EPS.	<ol style="list-style-type: none">1. Défaillance du moteur2. L'écart dans l'ensemble d'arbre de direction ou de du système EPS est trop grand.3. Mauvais assemblage de la colonne de direction ou des pièces de l'ensemble du système de direction mécanique	<ol style="list-style-type: none">1. Contactez votre concessionnaire2. Contactez votre concessionnaire3. Contactez votre concessionnaire

GARANTIE LIMITÉE AU CANADA

**POUR LES PROPRIÉTAIRES SITUÉS AU CANADA,
UN MANUEL DE GARANTIE EST FOURNI SÉPARÉMENT.**

CHANGEMENT DE PROPRIÉTAIRE

Changement de propriétaire

Si vous vendez le produit, la balance de la garantie valide peut être transférée au nouveau propriétaire. Veuillez enregistrer les détails de l'échange ci-dessous et informer un concessionnaire CFMOTO agréé :

Changement de propriétaire	Acheteur initial	2e propriétaire	3e propriétaire	4e propriétaire
Nom propriétaire				
Adresse				
Ville				
Province				
Téléphone				
Courriel				
Date d'achat				
Relevé du compteur				
Signature du nouveau propriétaire				

REMARQUE : Si un formulaire de changement de propriétaire rempli ne comprend pas les détails requis ou est inexact, CFMOTO se réserve le droit d'enquêter sur la propriété réelle du produit, l'historique des maintenances et éventuellement, de refuser la demande de transfert de garantie si les conditions ne sont pas remplies.



ZHEJIANG CFMOTO POWER CO., LTD

No. 116, Wuzhou Road, Yuhang Economic Development Zone
Hangzhou 311100, Zhejiang Province, China

Tél. : 86-571-86258863

Courriel : service@cfmoto.com.cn

Fax : +86-571-89265788

<http://global.cfmoto.com>

DISTRIBUTED BY / DISTRIBUÉ PAR
CANADA MOTOR IMPORT INC.

24 rue Industrielle

Saint-Benoît Labre, Québec, Canada G0M 1P0

Tél. : 418 227-2077 • www.cfmoto.ca