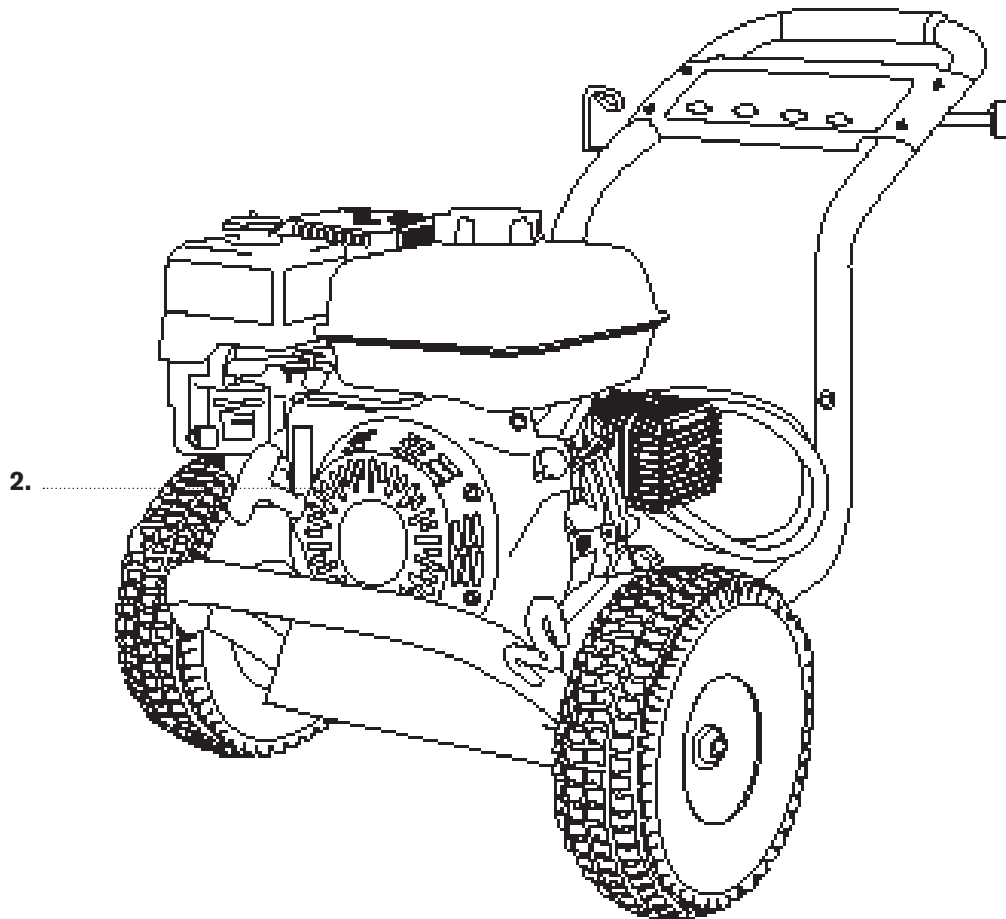


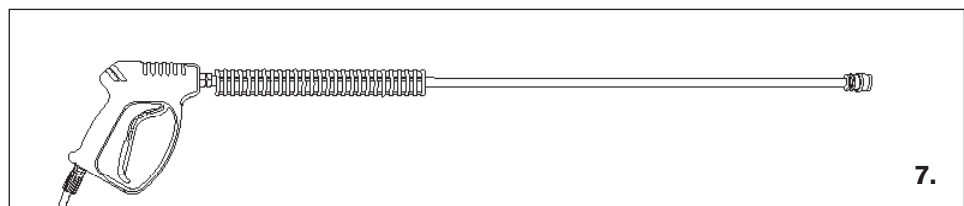
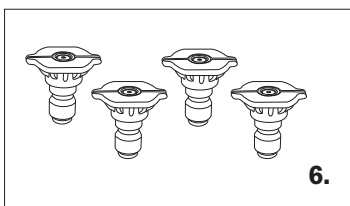
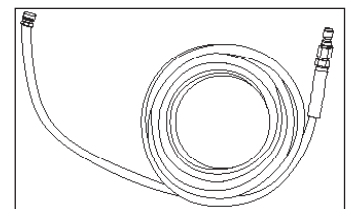
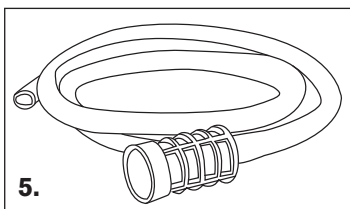


PRESSURE WASHER BREAKDOWN

PE-4013HWPAGEN



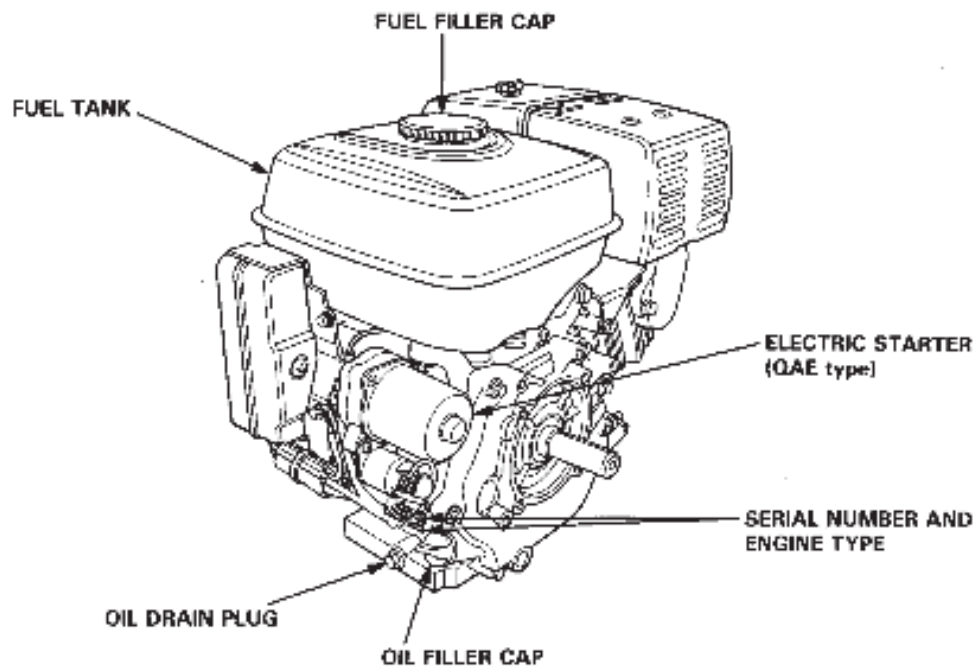
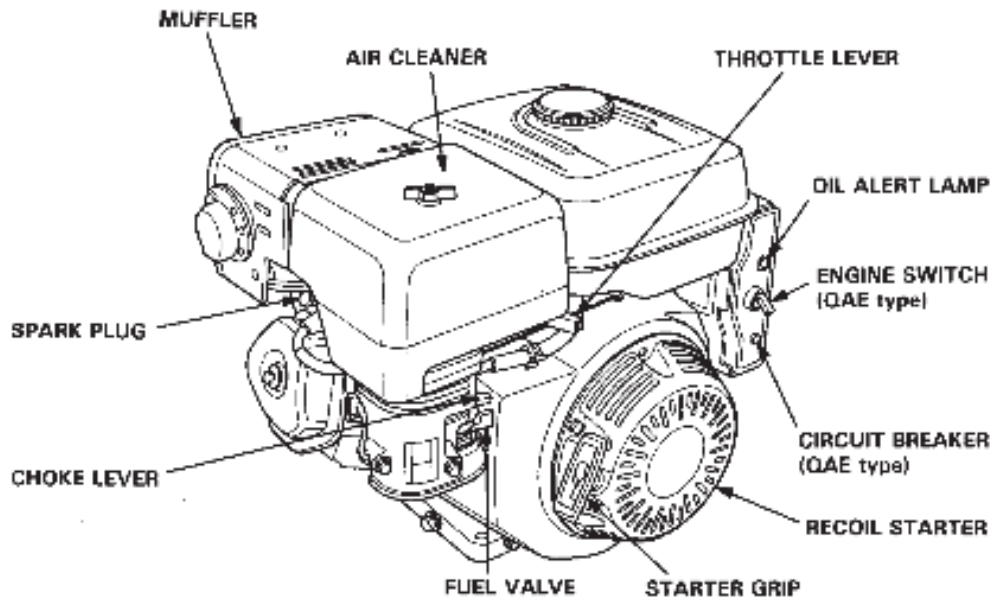
| REF # | DESCRIPTION | PART # |
|-------|------------------------|----------------|
| 1 | Frame | 85.600.129A |
| 2 | Engine - Honda GX390 | Not For Resale |
| 3 | Pump - General EZ4040G | 85.139.021A |
| 4 | Wheels | 85.660.054BF |
| 5 | Soap Hose | 85.400.005 |
| 6 | Nozzle Set | 85.210.035 |
| 7 | Gun & Wand | 85.205.026 |
| 8 | Hose 50' x 3/8" | 85.238.153 |





PRESSURE WASHER BREAKDOWN

PE-4013HWPAGEN





PRESSURE WASHER BREAKDOWN

PE-4013HWPAGEN

GENERAL PUMP A member of the Interpump Group

FEATURES

- Standard SAE J609 gasoline mounting flange for up to 13 hp engines
- Forged brass manifold with an exclusive lifetime warranty and 3:1 hydrostatic rating
- Die-cast, anodized aluminum oil-bath crankcase
- Innovative one-piece plunger design to eliminate water entering crankcase
- Premium roller bearing
- 5% reduction in crankcase load compared to standard 3,000 PSI, 15 mm pumps
- Unitized stainless steel inlet and discharge valves
- Available in “L” left-handed versions

EZ Series 44

Triples Plunger Pump



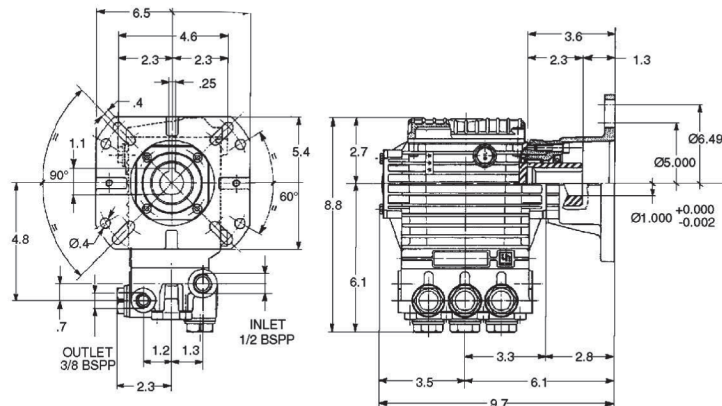
TRIPLEX


TRIPLEX

SPECIFICATIONS

| Pump Model | EZ4040G | EZ4035G34 | EZ4030G34 |
|----------------------------|--------------------------|------------------|-------------------|
| Maximum Volume | 4.0 GPM | 3.5 GPM | 3.0 GPM |
| Maximum Discharge Pressure | 4000 PSI | | |
| Maximum Pump Speed | 3400 RPM | | |
| Maximum Inlet Pressure | 125 PSI | | |
| Maximum Inlet Vacuum | 3 ft. water (2.6 in. Hg) | | |
| Plunger Bore | .512 in. / 13 mm | | |
| Plunger Stroke | .512 in. / 13 mm | .433 in. / 11 mm | .374 in. / 9.5 mm |
| Crankcase Oil Capacity | 14.0 oz. | | |
| Maximum Fluid Temperature | 165° F | | |
| Inlet Port Thread | 1/2-14 BSPP-F | | |
| Discharge Port Thread | 3/8-19 BSPP-F | | |
| Shaft Diameter | 1.0 in. / 25.4 mm | | |
| Weight | 20 lbs. | | |
| Dimensions | 8.8" x 9.7" x 6.5" | | |

DIMENSIONAL DRAWING



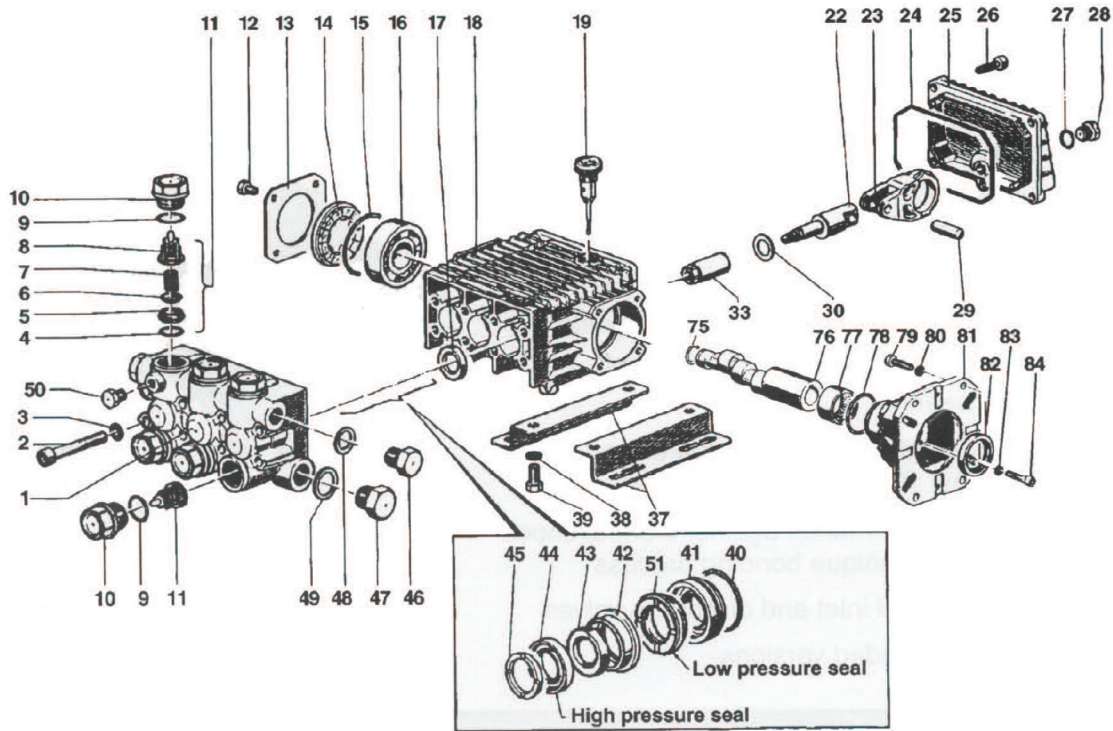
 General Pump is a member of the Interpump Group





PRESSURE WASHER BREAKDOWN

PE-4013HWPAGEN



PARTS LIST

| ITEM | PART NO. | DESCRIPTION | KIT NO. | QTY. | ITEM | PART NO. | DESCRIPTION | KIT NO. | QTY. | ITEM | PART NO. | DESCRIPTION | KIT NO. | QTY. |
|------|----------|----------------|---------|------|------|----------|-------------------|---------|------|------|----------|------------------------|---------|------|
| 1. | 44120641 | Manifold | | 1 | 23. | 44030022 | Connecting Rod | | 3 | 48. | 96738000 | Washer | | 1 |
| 2. | 99317500 | Screw | | 8 | 24. | 90392000 | O-ring | | 1 | 49. | 96751400 | Washer | | 1 |
| 3. | 96701400 | Washer | | 8 | 25. | 44160022 | Rear Cover | | 1 | 50. | 98196600 | Cap Screw | | 1 |
| 4. | 90384100 | O-ring | 123 | 6 | 26. | 99183700 | Screw | | 5 | 51. | 90260300 | Seal, Low Pressure | 153,156 | 1 |
| 5. | 36200366 | Valve Seat | 123 | 6 | 27. | 90358500 | O-ring | | 1 | 75. | 90063500 | Retaining Ring | | 1 |
| 6. | 36200176 | Valve | 123 | 6 | 28. | 98204100 | Cap Screw | | 1 | 76. | 44022165 | Crankshaft (EZ4040G) | | 1 |
| 7. | 94737600 | Spring | 123 | 6 | 29. | 97734000 | Pinr | | 3 | | 44021265 | Crankshaft (EZ4035G34) | | 1 |
| 8. | 36202551 | Valve Cage | 123 | 6 | 30. | 96696700 | Washer | | 3 | | 44020965 | Crankshaft (EZ4030G34) | | 1 |
| 9. | 90384700 | O-ring | 124 | 6 | 33. | 44040266 | Plunger, 13 mm | | 3 | 77. | 91856800 | Roller Bearing | | 1 |
| 10. | 98222600 | Cap Screw | 124 | 6 | 37. | 50200074 | Rail | | 2 | 78. | 90409700 | O-ring | | 1 |
| 11. | 36711501 | Valve Assembly | 123 | 6 | 38. | 96701600 | Washer | | 4 | 79. | 99275500 | Screw, 5/16 x 1 | | 4 |
| 12. | 99180700 | Screw | | 4 | 39. | 99303700 | Nut | | 4 | | 99334500 | Screw, 3/8 x 1 | | 4 |
| 13. | 50150074 | Bearing Cover | | 1 | 40. | 90361200 | O-ring | 156 | 3 | 80. | 96702000 | Washer, 8 mm | | 4 |
| 14. | 44211801 | Spacer | | 1 | 41. | 44080370 | Packing Retainer | 156 | 3 | | 96710400 | Washer, 10 mm | | 4 |
| 15. | 90409700 | O-ring | | 1 | 42. | 44216270 | Intermediate Ring | 156 | 3 | 81. | 10051822 | Gas Flange | | 1 |
| 16. | 91832800 | Ball Bearing | | 1 | 43. | 90507600 | Packing | 153,156 | 3 | 82. | 90169000 | Oil Seal | | 1 |
| 17. | 90161400 | Oil Seal | 23 | 3 | 44. | 90260200 | Packing | 153,156 | 3 | 83. | 96693800 | Washer | | 4 |
| 18. | 44010022 | Crankcase | | 1 | 45. | 44100251 | Head Ring | 156 | 3 | 84. | 99191200 | Screw | | 4 |
| 19. | 98210300 | Oil Dip Stick | | 1 | 46. | 98210000 | Cap Screw | | 1 | | | | | |
| 22. | 44050166 | Piston Guide | | 3 | 47. | 98217600 | Cap Screw | | 1 | | | | | |

REPAIR KITS

| KIT NO. | K23 | K123 | K124 | K153 | K156 |
|--------------------------------------|-----|---------------------|-------|------------|----------------------------|
| ITEM NO's INCLUDED IN KIT | 17 | 4, 5, 6, 7, 8, (11) | 9, 10 | 43, 44, 51 | 40, 41, 42, 43, 44, 45, 51 |
| NUMBER OF ASSEMBLIES IN KIT | 3 | 6 | 6 | 3 | 1 |
| NUMBER OF CYLINDERS KIT WILL SERVICE | 3 | 3 | 3 | 3 | 1 |

TORQUE SPECS*

| Pos. | Ft/lb | N-M |
|------|-------|-----|
| 2 | 14.7 | 20 |
| 10 | 73.7 | 100 |
| 12 | 7.3 | 10 |
| 26 | 7.3 | 10 |
| 28 | 14.7 | 20 |
| 46 | 29.4 | 40 |
| 47 | 29.4 | 40 |
| 50 | 9.6 | 13 |
| 79 | 14.7 | 20 |
| 84 | 7.3 | 10 |

* Decrease torque by 20% if threads are lubricated