



KOHLER®

Command PRO® EFI

| Gasoline Engines

14 – 19.5 kW | 19 – 26.5 hp

The KOHLER® Command PRO® EFI engine saves gas and reduces downtime, giving you the power to cut costs and cover more ground every day.

Command PRO® EFI

Standard features

CLOSED-LOOP ELECTRONIC
FUEL INJECTION

20A CHARGING, REGULATED

YELLOW OIL CAP AND DIPSTICK

LARGE FILTERS (AIR, OIL,
FUEL)

HARDENED CRANK JOURNALS

PTO SIDE-LOAD SLEEVE
BEARING

HYDRAULIC VALVE LIFTERS

12-V SOLENOID SHIFT
ELECTRIC START

DUAL-ELEMENT AIR CLEANER

DUAL OIL DRAINS
ELECTRONIC IGNITION

SOLENOID FUEL SHUTDOWN

OIL SENTRY™ AUTOMATIC
WARNING/SHUTDOWN SYSTEM
(INSTALLED, NOT WIRED)

FULL-PRESSURE LUBRICATION/
FULL-FLOW FILTER

THREE YEAR
LIMITED WARRANTY

Accessories on demand

REMOTE OIL FILTER

VARIETY OF MUFFLERS

EXHAUST DEFLECTOR

SPARK ARRESTOR

ENGINE-MOUNTED CONTROLS
(CH MODELS)

FIVE % GOVERNOR

SAE A/B PUMP MOUNTS

CHOICE OF AIR CLEANERS
(FLAT, HD, WAWB)

GUARD FOR ROTATING GRASS
SCREEN

CHOPPER-TYPE GRASS SCREEN

ADDITIONAL CRANK SIZES

FLYWHEEL PTOS

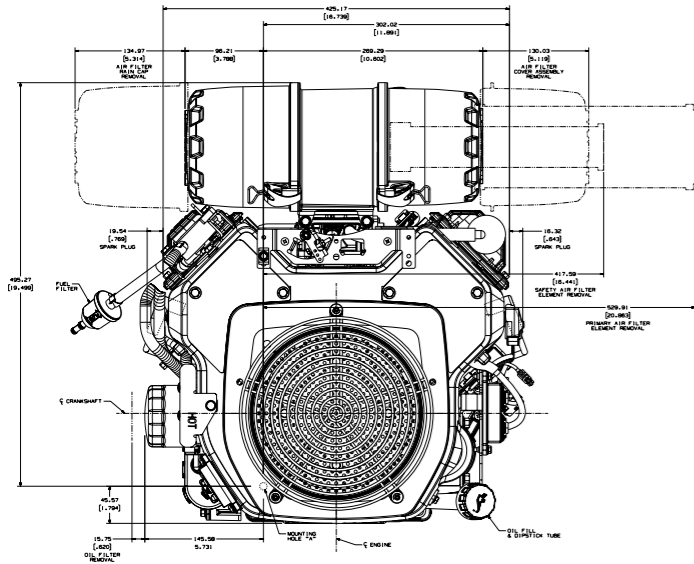
OIL COOLER



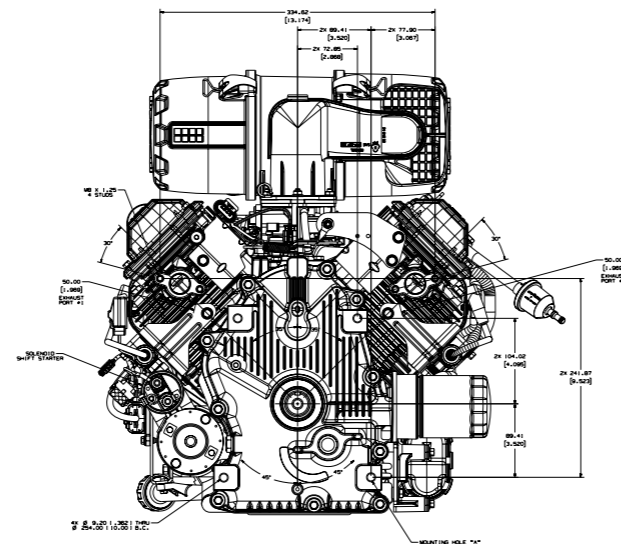
Command PRO® EFI

19-26.5 hp Vertical-shaft engines

Heavy-Duty Air Cleaner



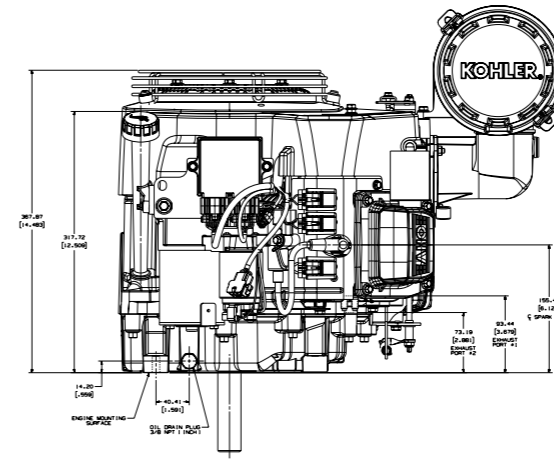
Top view



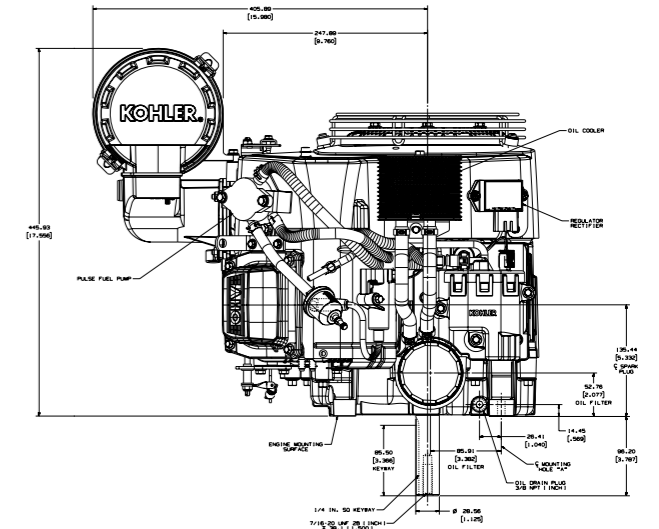
PTO view

Data

Dimensions (mm)



Starter side view

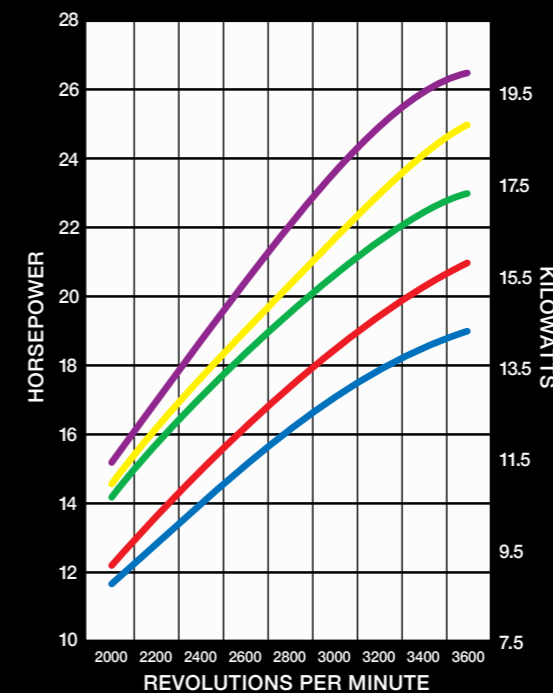


Oil filter side view

MODEL	ECV630	ECV650	ECV730	ECV740	ECV749
*POWER@3600 rpm Max.hp (kW)	19 (14.2)	21 (15.7)	23 (17.2)	25 (18.6)	26.5 (19.8)
DISPLACEMENT cu in (cc)	42 (694)			45 (747)	
BORE in (mm)	3.2 (80)			3.3 (83)	
STROKE in (mm)	2.7 (69)				
PEAK TORQUE @ rpm ft-lb (Nm)	34.2 (46.4) @ 2200	36.4 (49.4) @ 2600	39.1 (53.0) @ 2600	39.9 (54.1) @ 2400	40.9 (55.5) @ 3000
COMPRESSION RATIO	8.7:1			9.1:1	
DRY WEIGHT lb (kg)	108 (49)				
OIL CAPACITY u.s. qt (L)	2 (1.9)				
LUBRICATION	FULL-PRESSURE WITH FULL-FLOW FILTER				
DIMENSIONS L x W x H in (mm)	A/B				
heavy-duty air cleaner	21.3 (541) x 18.5 (470) x 17.6 (447)				

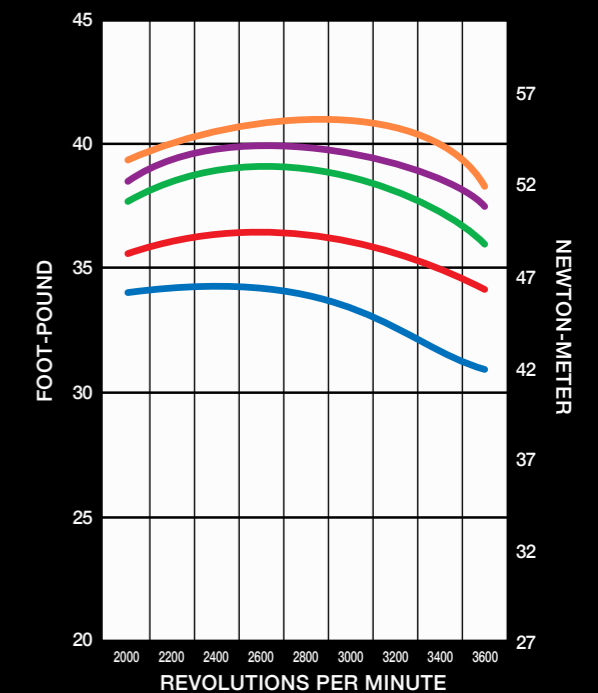
*Horsepower ratings meet Society of Automotive Engineers Small Engine Test Code J1940. Actual engine horsepower is lower and affected by, but not limited to, accessories (air cleaner, exhaust, charging, cooling, fuel pump, etc.), application, engine speed and ambient operating conditions (temperature, humidity and altitude). For more information, contact Kohler Co. Engine Engineering. Kohler reserves the right to change product specifications, designs and equipment without notice and without incurring obligation. †L = grass screen to PTO mounting face W = spark plug to spark plug H = top of air cleaner cover to mounting feet ‡L = blower housing to air cleaner cover W = spark plug to spark plug H = top of air cleaner cover to mounting surface

Maximum power



ECV630 ECV740
ECV650 ECV749
ECV730

Maximum torque

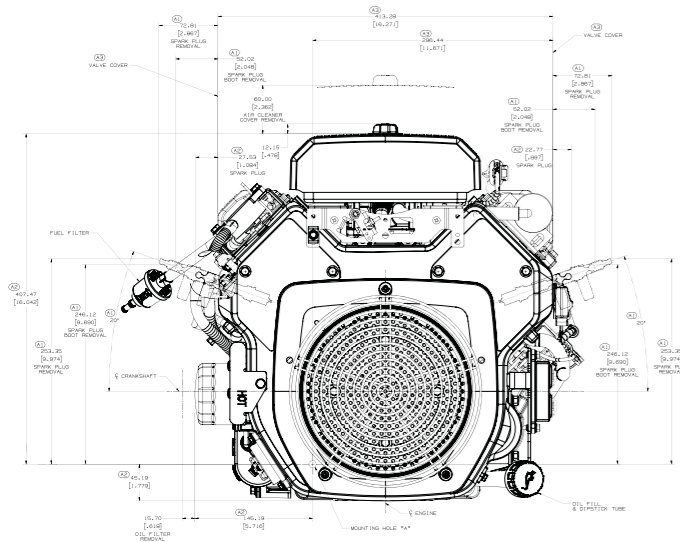


ECV630 ECV740
ECV650 ECV749
ECV730

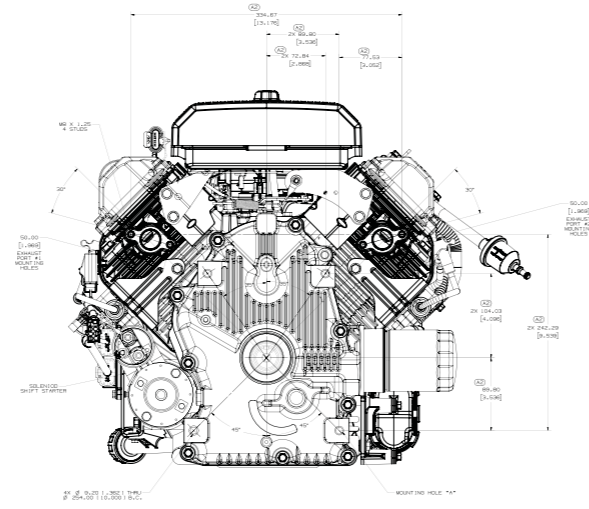
Command PRO® EFI

19-26.5 hp Vertical-shaft engines

Low-profile Air Cleaner



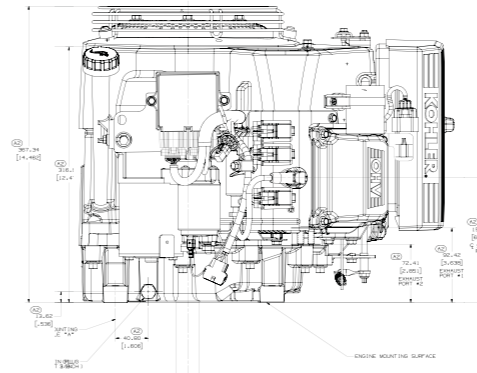
Top view



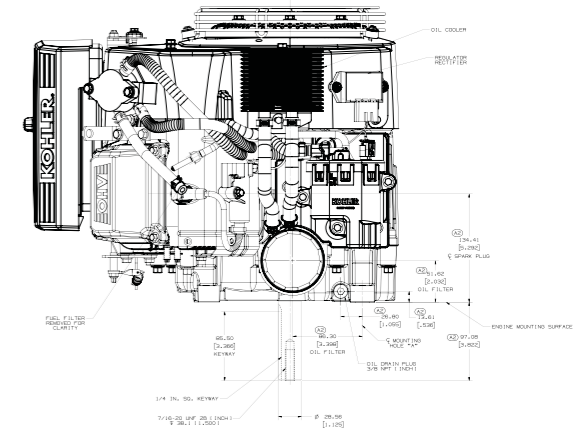
PTO view

Data

Dimensions (mm)



Starter side view

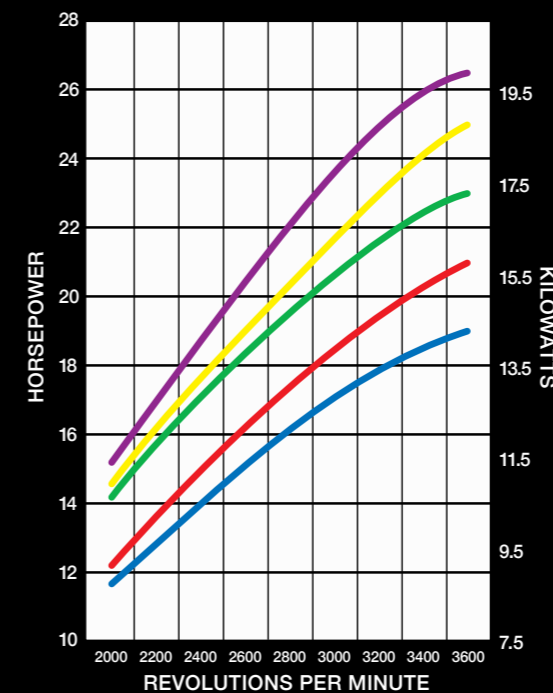


Oil filter side view

MODEL	ECV630	ECV650	ECV730	ECV740	ECV749
*POWER@3600 rpm Max.hp (kW)	19 (14.2)	21 (15.7)	23 (17.2)	25 (18.6)	26.5 (19.8)
DISPLACEMENT cu in (cc)	42 (694)			45 (747)	
BORE in (mm)	3.2 (80)			3.3 (83)	
STROKE in (mm)	2.7 (69)				
PEAK TORQUE @ rpm ft-lb (Nm)	34.2 (46.4) @ 2200	36.4 (49.4) @ 2600	39.1 (53.0) @ 2600	39.9 (54.1) @ 2400	40.9 (55.5) @ 3000
COMPRESSION RATIO	8.7:1			9.1:1	
DRY WEIGHT lb (kg)	108 (49)				
OIL CAPACITY u.s. qt (L)	2 (1.9)				
LUBRICATION	FULL-PRESSURE WITH FULL-FLOW FILTER				
DIMENSIONS L x W x H in (mm)	A/B				
flat air cleaner	17.9 (455) x 18.3 (465) x 14.5 (368)				

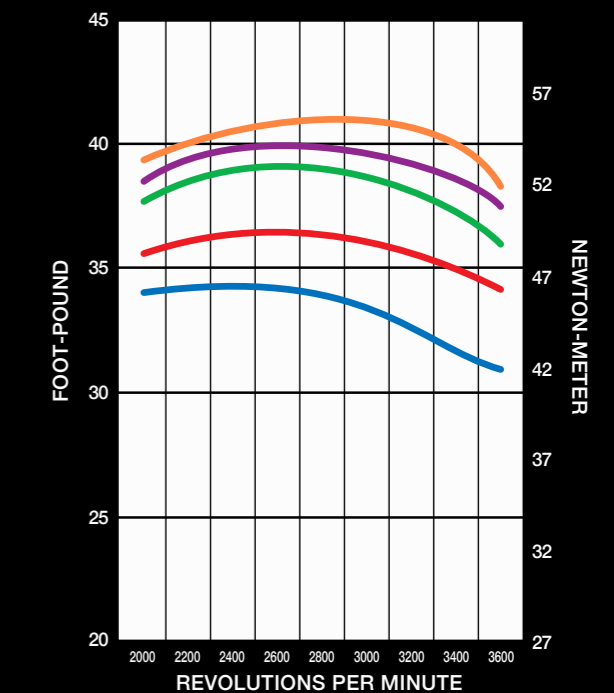
*Horsepower ratings meet Society of Automotive Engineers Small Engine Test Code J1940. Actual engine horsepower is lower and affected by, but not limited to, accessories (air cleaner, exhaust, charging, cooling, fuel pump, etc.), application, engine speed and ambient operating conditions (temperature, humidity and altitude). For more information, contact Kohler Co. Engine Engineering. Kohler reserves the right to change product specifications, designs and equipment without notice and without incurring obligation. †L = grass screen to PTO mounting face W = spark plug to spark plug H = top of air cleaner cover to mounting feet ‡L = blower housing to air cleaner cover W = spark plug to spark plug H = top of air cleaner cover to mounting surface

Maximum power



ECV630 ECV740
ECV650 ECV749
ECV730

Maximum torque

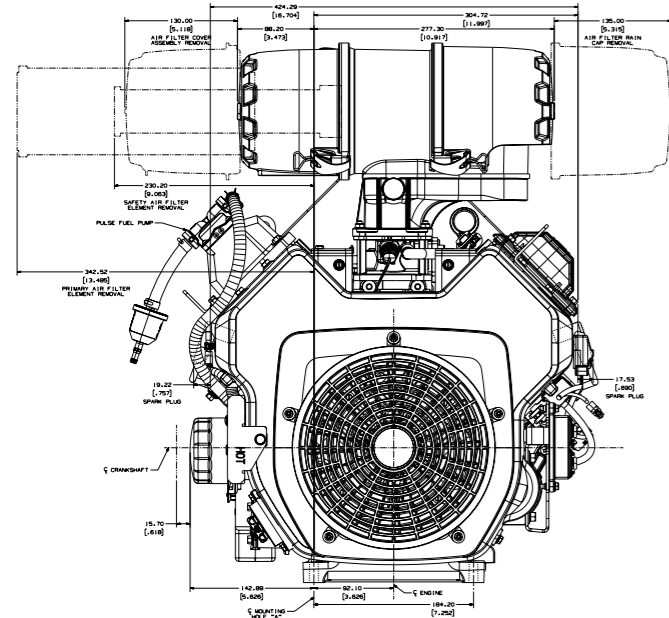


ECV630 ECV740
ECV650 ECV749
ECV730

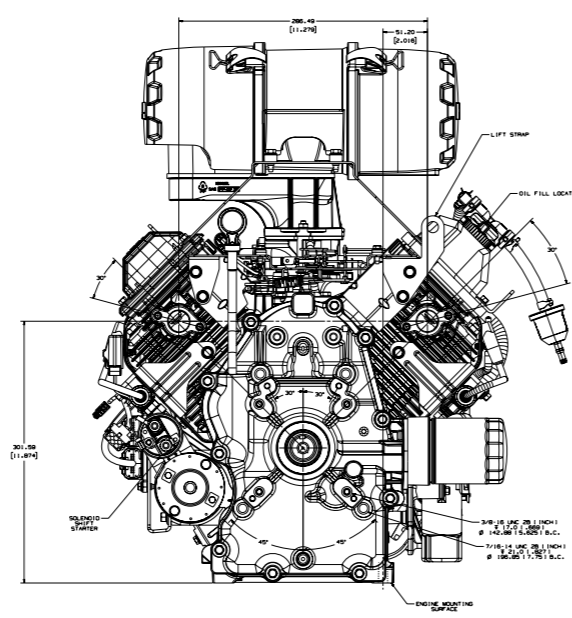
Command PRO® EFI

19-26.5 hp Horizontal-shaft engines

Heavy-duty Air Cleaner



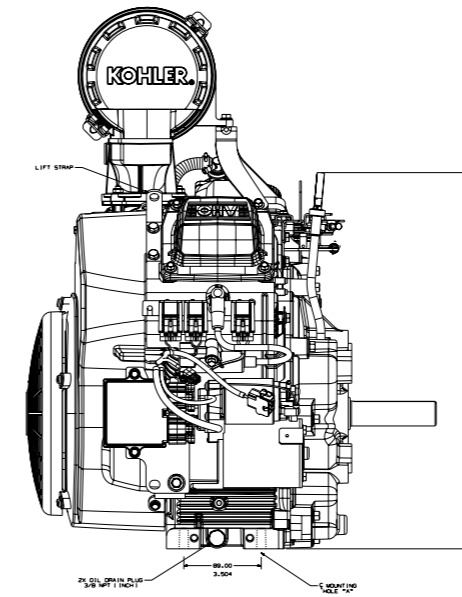
Top view



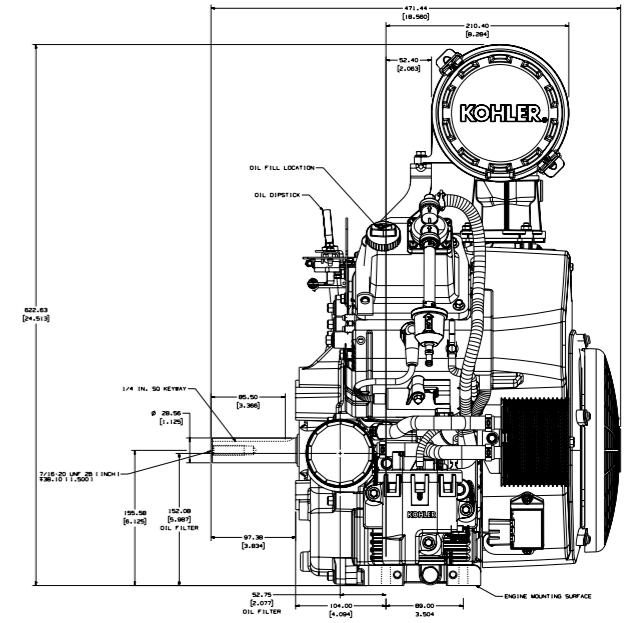
PTO view

Data

Dimensions (mm)



Starter side view

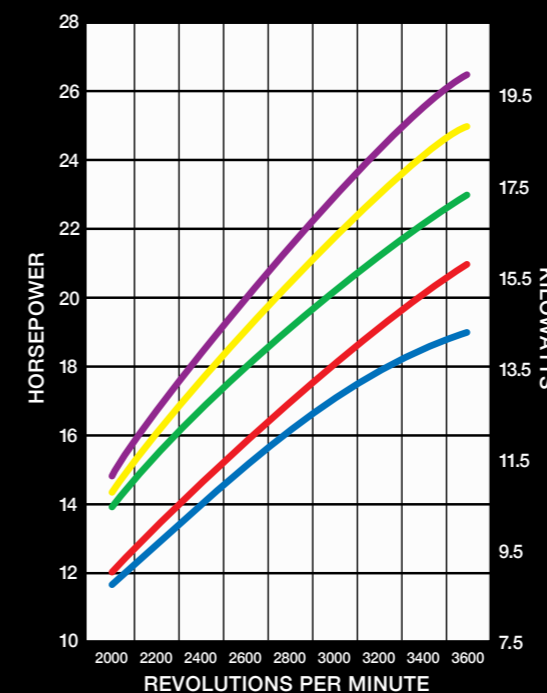


Oil filter side view

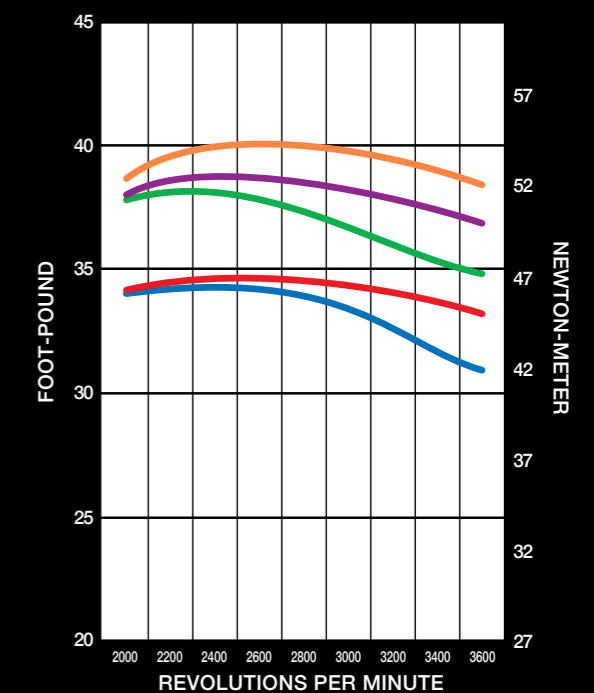
MODEL	ECH630	ECH650	ECH730	ECH740	ECH749
*POWER@3600 rpm Max.hp (kW)	19 (14.2)	21 (15.7)	23 (17.2)	25 (18.6)	26.5 (19.8)
DISPLACEMENT cu in (cc)	42.4 (694)			45.6 (747)	
BORE in (mm)	3.2 (80)			3.3 (83)	
STROKE in (mm)	2.7 (69)				
PEAK TORQUE @ rpm ft-lb (Nm)	34.2 (46.4) @ 2200	34.5 (46.8) @ 2600	38.1 (51.7) @ 2600	38.8 (52.6) @ 2400	40.0 (54.2) @ 3000
COMPRESSION RATIO	8.7:1			9.1:1	
DRY WEIGHT lb (kg)	108 (49)				
OIL CAPACITY U.S. qt (L)	2.0 (1.9)				
LUBRICATION	FULL-PRESSURE WITH FULL-FLOW FILTER				
DIMENSIONS L x W x H in (mm)	A/B			A/B	
heavy-duty air cleaner	14.8 (376) x 18.9 (480) x 24.5 (622)				

*Horsepower ratings meet Society of Automotive Engineers Small Engine Test Code J1940. Actual engine horsepower is lower and affected by, but not limited to, accessories (air cleaner, exhaust, charging, cooling, fuel pump, etc.), application, engine speed and ambient operating conditions (temperature, humidity and altitude). For more information, contact Kohler Co. Engine Engineering. Kohler reserves the right to change product specifications, designs and equipment without notice and without incurring obligation. †L = grass screen to PTO mounting face W = spark plug to spark plug H = top of air cleaner cover to mounting feet ‡L = blower housing to air cleaner cover W = spark plug to spark plug H = top of air cleaner cover to mounting surface

Maximum power



Maximum torque



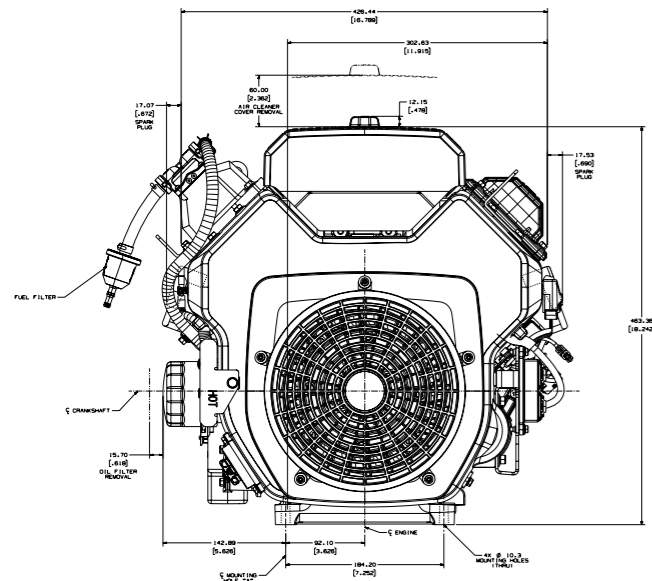
— ECH630 — ECH740
— ECH650 — ECH749
— ECH730

— ECH630 — ECH740
— ECH650 — ECH749
— ECH730

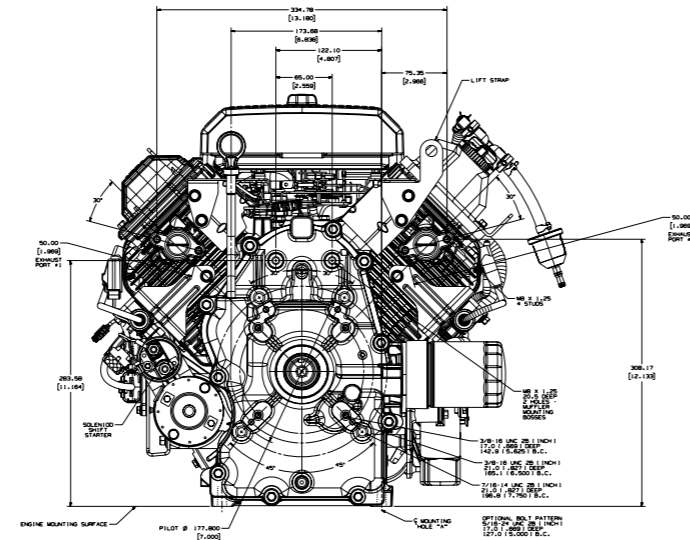
Command PRO® EFI

19-26.5 hp Horizontal-shaft engines

Low-profile Air Cleaner



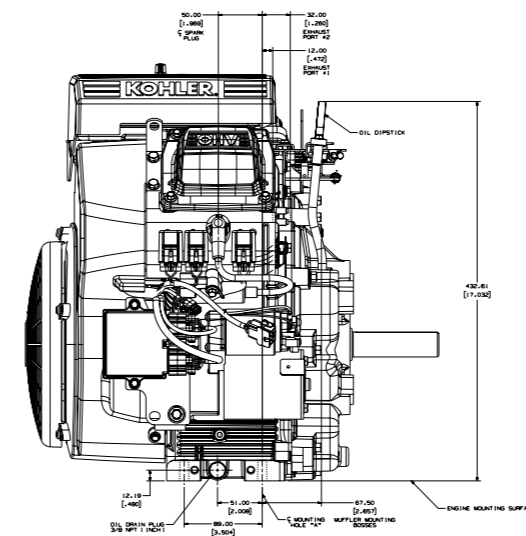
Top view



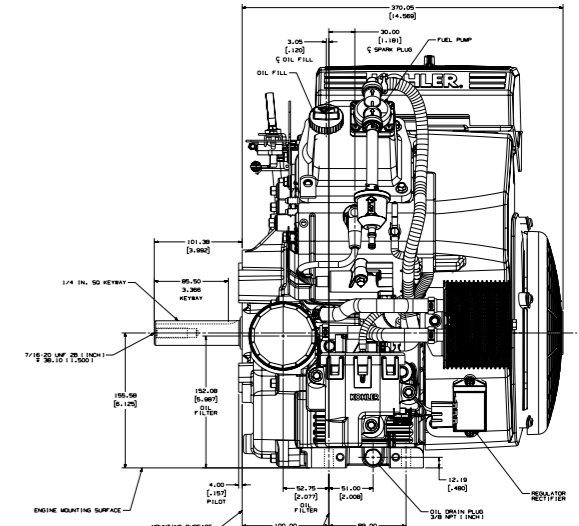
PTO view

Data

Dimensions (mm)



Starter side view

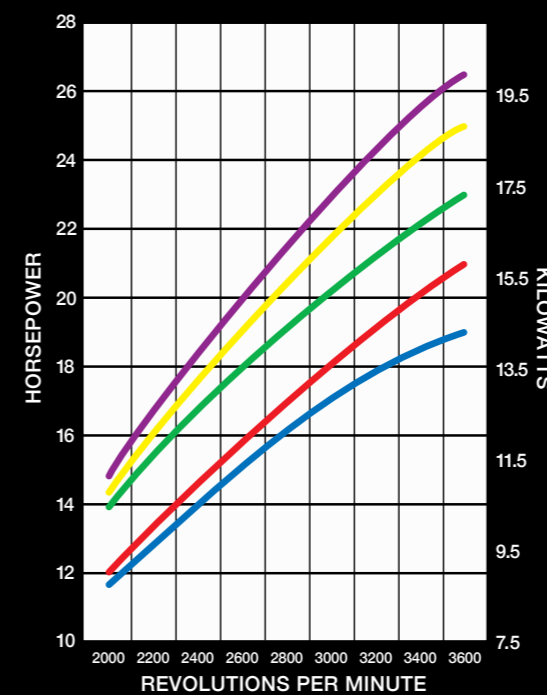


Oil filter side view

MODEL	ECH630	ECH650	ECH730	ECH740	ECH749
*POWER@3600 rpm Max.hp (kW)	19 (14.2)	21 (15.7)	23 (17.2)	25 (18.6)	26.5 (19.8)
DISPLACEMENT cu in (cc)	42.4 (694)			45.6 (747)	
BORE in (mm)	3.2 (80)			3.3 (83)	
STROKE in (mm)	2.7 (69)				
PEAK TORQUE @ rpm ft-lb (Nm)	34.2 (46.4) @ 2200	34.5 (46.8) @ 2600	38.1 (51.7) @ 2600	38.8 (52.6) @ 2400	40.0 (54.2) @ 3000
COMPRESSION RATIO	8.7:1			9.1:1	
DRY WEIGHT lb (kg)	108 (49)				
OIL CAPACITY u.s. qt (L)	2.0 (1.9)				
LUBRICATION	FULL-PRESSURE WITH FULL-FLOW FILTER				
DIMENSIONS L x W x H in (mm)	A/B				
flat air cleaner	14.6 (371) x 18.2 (462) x 18.7 (475)				

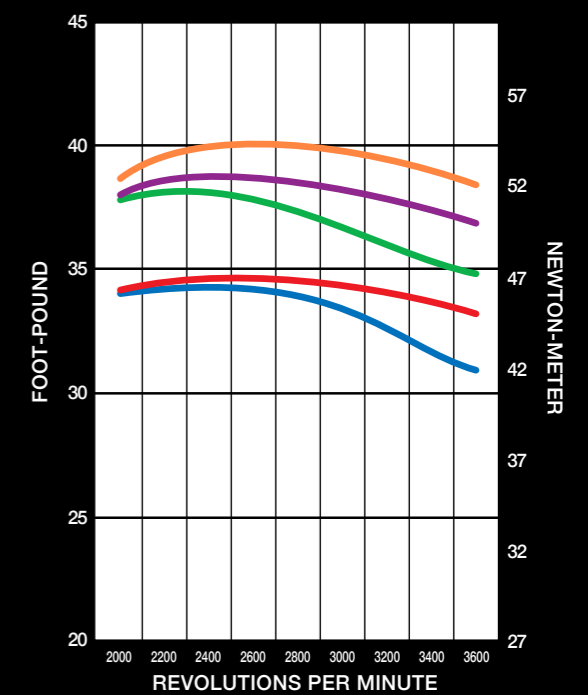
*Horsepower ratings meet Society of Automotive Engineers Small Engine Test Code J1940. Actual engine horsepower is lower and affected by, but not limited to, accessories (air cleaner, exhaust, charging, cooling, fuel pump, etc.), application, engine speed and ambient operating conditions (temperature, humidity and altitude). For more information, contact Kohler Co. Engine Engineering. Kohler reserves the right to change product specifications, designs and equipment without notice and without incurring obligation. †L = grass screen to PTO mounting face W = spark plug to spark plug H = top of air cleaner cover to mounting feet ‡L = blower housing to air cleaner cover W = spark plug to spark plug H = top of air cleaner cover to mounting surface

Maximum power



— ECH630 — ECH740
— ECH650 — ECH749
— ECH730

Maximum torque



— ECH630 — ECH740
— ECH650 — ECH749
— ECH730

For more information, contact your KOHLER source of supply.
Kohler Co. reserves the right to make modifications without prior notice.

KOHLER[®]

Printed in Italy

ED0035585630

Rev.02 03/23 Eng

kohlerengines.com
KOHLER CO.